



IDEAL FOR
 EXTRA-LARGE
 INTERACTIVE
 DISPLAYS

BT9908

SYSTEM X™

WALL MOUNT

FOR 84" MICROSOFT®

SURFACE HUB™

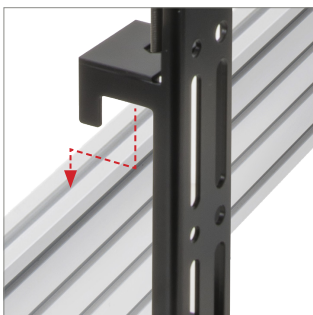
The BT9908 is a dual rail wall mounted solution designed to mount Microsoft's 84" Surface Hub and other large interactive displays over 72". Capable of supporting heavy duty loads, the mount can easily accommodate the weight of extra-large format screens. Levelling screws allow easy height adjustment of the screen once mounted and integrated cable management keeps finished installations neat and tidy. Safety screws also help to prevent unauthorised removal of the screen.

SPECIFICATION

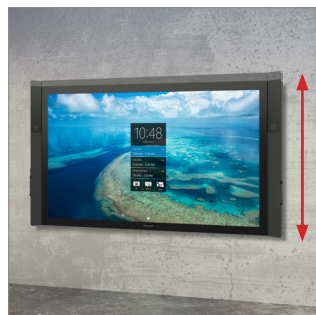
Recommended screen size	72" up to 120"
Recommended surface hub size	84"
Max load	200kg
VESA® & non-VESA fixings	up to 1400 x 800
Colour (mounting rail)	Silver
Colour (VESA arms)	Black

FEATURES

- Designed to mount Microsoft's 84" Microsoft Surface Hub display
- The universal design is ideal for other standard or interactive screens over 72" (such as Sahara Clevertouch®)
- High-end aesthetic quality
- Cable management clips (**BT8390-CMC**) are included to keep the install tidy
- Interface arms include levelling screws to adjust the height of the screen
- Safety screws help prevent unauthorised removal of screens
- Simple 'hook-on' installation
- All mounting hardware included



Simple 'hook-on' installation



Interface arms include levelling screws to adjust the height of the screen



Safety screws help prevent unauthorised removal of the screen



Cable management clips (**BT8390-CMC**) are included to keep the install tidy

