



ProLite T1731SR-1 is based on the latest 5 Wire Resistive technology. Price / performance ratio is ideal for the budget conscious user while quality and specification is certainly not compromised. The display inputs include both Analogue and Digital (DVI) with Touchscreen connectivity via either USB or RS-232 which offers greater than typical flexibility. A solid and steady base supports the TouchScreen with an adjustable stand offering full 90 degree angles. Extensive Touch Utilities allow for 4 point calibration and either 9/25 point linerization. An incredibly powerful Touch solution.

Available in black and white.



TOUCH TECHNOLOGY - RESISTIVE

5-wire resistive touchscreens are very durable and can be used in a variety of environments. They are especially recommended for shops, restaurants and industrial purposes.



IP54

The IP Code classifies how resistant a device is to foreign objects and moisture. IP54 means that the monitor will operate in dusty conditions, and will resist splashing water.

1. DISPLAY CHARACTERISTICS

DIAGONAL 17"; 43cm

ASPECT RATIO 5 : 4

PANEL	TN LED
NATIVE RESOLUTION	1280 x 1024 (1.3 megapixel)
BRIGHTNESS	250 cd/m ² typical
BRIGHTNESS	200 cd/m ² with touch panel
CONTRAST	900 : 1 with touch panel
RESPONSE TIME	5 ms
VIEWING ZONE	horizontal/vertical: 170° / 160° ; right/left: 85° / 85° ; up/down: 80° / 80°
DISPLAY COLOUR	16.7 million
TOUCHTECHNOLOGY	resistive
TOUCH POINTS	Yes
LIGHT TRANSMITTANCE	80%
DISPLAY AREA H X W	270 x 338 mm; 10.6" x 13.3"
PIXEL PITCH H X V	0.264 x 0.264 mm
HORIZONTAL SYNC	31.5 - 80 KHz
VERTICAL SYNC	56 - 75 Hz
SYNCHRONIZATION	Separate Sync

2. INTERFACES CONNECTORS

ANALOG INPUT CONNECTOR	VGA
DIGITAL INPUT CONNECTOR	DVI
CONTROLS	RS232C, USB (touch)
INPUTS	USB, RS232C

3. SPECIAL FEATURES

APPLE - MAC	OS9, OSX
PLUG & PLAY	VESA DDC 2B™
CONTROLS	On-Screen-Display in 8 languages (DE, EN, ES, FR, IT, JP, Chinese - traditional and simplified) and 5 front controls (Menu, Scroll up/ Brightness, Scroll down/ Mute, Select/ Auto, Power)
USER CONTROLS	contrast, brightness, auto adjust, H.position, V.position, H.size, phase, OSD H.position, OSD V.position, OSD timeout, reset, input select, OSD language, colour temperature, volume, mute
SPEAKERS	2 x 1 W (Stereo)
ANTI-THEFT-DEVICE	Kensington-lock™ prepared
SAFETY	CE, CB, TÜV-Bauart, Gost-R, VCCI
TILT ANGLE	90° up; 5° down
VESA MOUNTING	100 x 100 mm
COLOUR	White
WATER AND DUST PROTECTION	IP54

4. ACCESSORIES

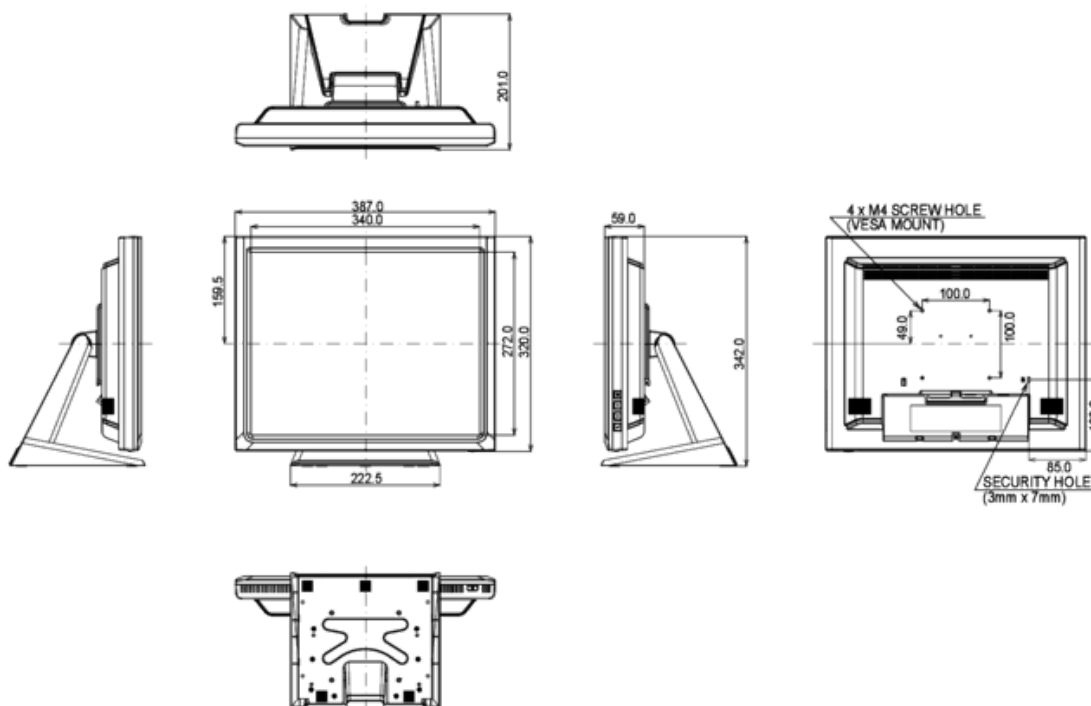
DRIVER	Windows (10, 8.1, 8, 7, Vista, XP, 9X, 2000, CE, NT4), Linux, Mac (OSX, OS9), DOS
INCLUDED ACCESSORIES	power cable, VGA signal cable, DVI signal cable, RS232C signal cable, audio cable, USB cable, Touch Panel Driver Disk (CD-ROM), screw, quick start guide

5. POWER MANAGEMENT

POWER SUPPLY	AC 100 - 240 V, 50 / 60 Hz
POWER SUPPLY UNIT	internal
POWER USAGE	20 W typical; max. 2 W in Power management mode
POWER MANAGEMENT	VESA DPMS

6. DIMENSIONS & WEIGHT

DIMENSIONS W X H X D	387 x 342 x 201 mm
WEIGHT	5.8 kg



All trademarks and registered trademarks acknowledged. E & O E. Specification subject to change without notice. All LCD's comply with ISO-9241-307:2008 in connection with pixel defects.

© IIYAMA CORPORATION (). ALL RIGHTS RESERVED.