


Bestway.

www.bestwaycorp.com

Visit Bestway YouTube channel 

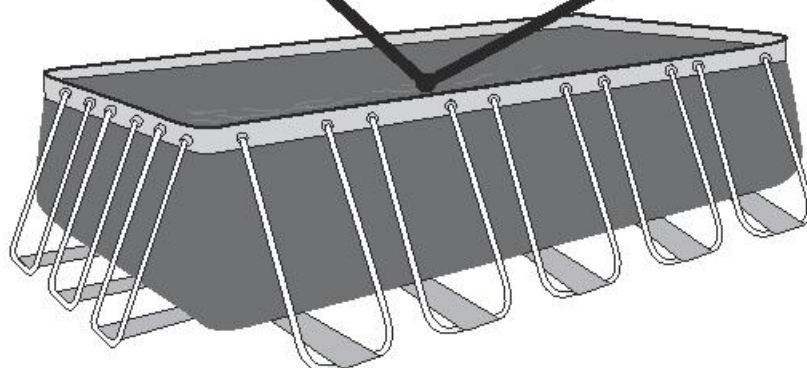
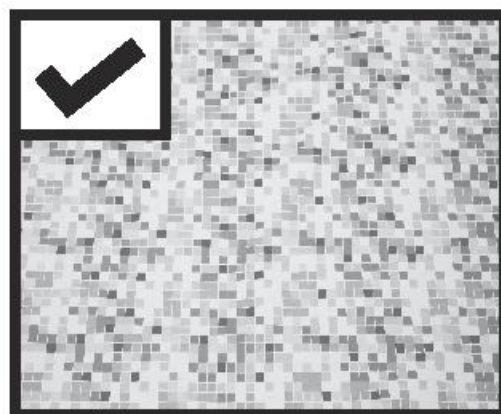
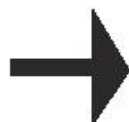
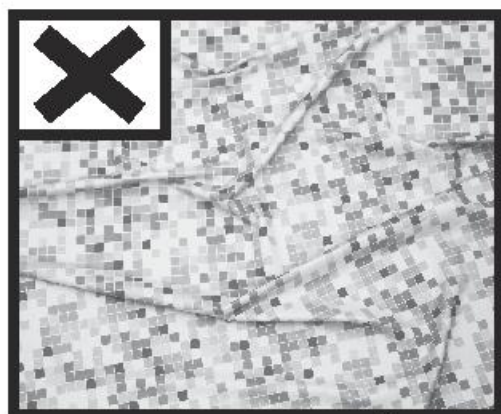




**WARNING / ACHTUNG /
WAARSCHUWING / ATTENTION**

smooth out the bottom
glätten den Boden

glad uit de bodem
lisser le fond

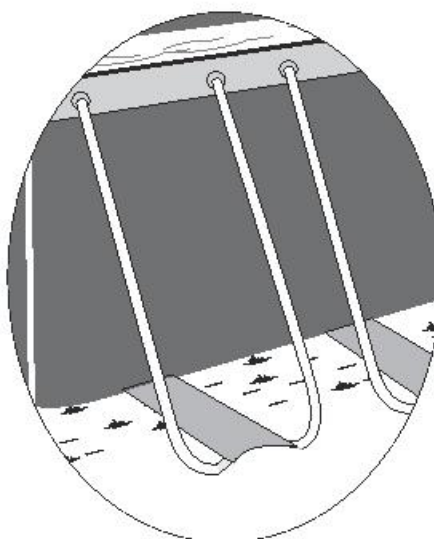
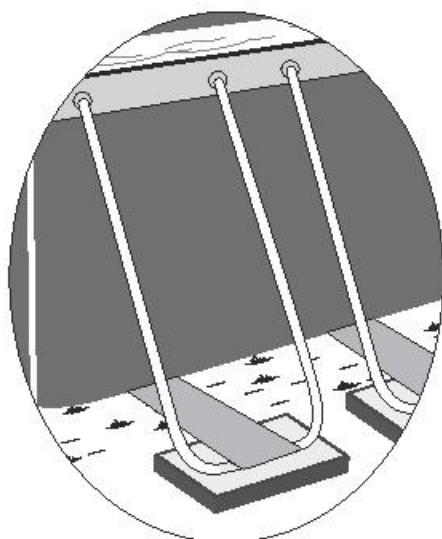


Put 1" to 2" water in the pool to cover the floor. Once pool floor is slightly covered, gently smooth out all wrinkles. Start in the center of the pool and work your way clockwise to the outside.

Füllen Sie 1" bis 2" Wasser in den Pool, so dass der Boden bedeckt ist. Glätten Sie vorsichtig alle Falten sobald der Poolboden leicht bedeckt ist. Beginnen Sie in der Mitte des Pools und arbeiten Sie im Uhrzeigersinn zur Außenseite.

Doë 1" tot 2" water in het zwembad, net voldoende om de bodem onder water te zetten. Wanneer dit gebeurd is worden alle rimpels voorzichtig gladgestreken. Begin in het midden van het zwembad en ga zo rechtsoom naar de rand toe.

Mettre quelques centimètres d'eau dans la piscine pour couvrir le sol. Une fois que le sol de la piscine est légèrement recouvert, lissez tous les plis. Commencez par le centre de la piscine et continuez dans le sens des aiguilles d'une montre vers l'extérieur.



Do not assemble on soft lawn. If you must assemble the pool on a soft surface, timber boards must be placed under the feet of the vertical supports to spread the load.

Bitte beachten Sie beim Aufstellen, dass weicher Rasen als Untergrund ungeeignet ist. Bei weichem Untergrund müssen Bretter unter die Füße der vertikalen Träger als Lastverteilung gelegt werden.

Niet monteren op een zacht gazon. Indien u het zwembad moet monteren op een zacht oppervlak moeten er houten plankjes onder de voeten van de verticale steunen geplaatst worden om de belasting te spreiden.

Ne montez pas la piscine sur une pelouse qui s'enfoncé. Si vous devez monter la piscine sur une surface molle, il faut placer des planches en bois sous les pieds des supports verticaux pour répartir la charge.

NO.	#56629	#56631	#56441	#56251	#56426	#56442	#56456	#56458	#56457	#56670	#56672	#56671	#56673
	2.82mx1.98mx34cm (@3'x8'5x33')	2.82mx1.98mx34cm (@3'x8'5x33')	4.04mx2.01mx1.00m (@3'x8'7x39.5')	4.04mx2.01mx1.00m (@3'x8'7x39.5')	4.04mx2.01mx1.00m (@3'x8'7x39.5')	4.04mx2.01mx1.00m (@3'x8'7x39.5')	4.12mx2.01mx1.22m (@3'x8'7x48')	4.12mx2.01mx1.22m (@3'x8'7x48')	4.12mx2.01mx1.22m (@3'x8'7x48')	4.88mx2.44mx1.22m (@6'x4')	4.88mx2.44mx1.22m (@6'x4')	4.88mx2.44mx1.22m (@6'x4')	4.88mx2.44mx1.22m (@6'x4')
A	2	2	2	2	2	2	2	2	2	2	2	2	2
B	2	2	2	2	2	2	2	2	2	2	2	2	2
C	2	2	2	2	2	2	2	2	2	0	0	0	0
D	2	2	2	2	2	2	2	2	2	2	2	2	2
E	0	0	2	2	2	2	2	2	2	2	2	2	2
F	0	0	0	0	0	0	0	0	0	4	4	4	4
G	4	4	4	4	4	4	4	4	4	4	4	4	4
H	4	4	6	6	6	6	6	6	6	12	12	12	12
I	4	4	4	4	4	4	4	4	4	0	0	0	0
J	4	4	6	6	6	6	6	6	6	8	8	8	8
K	8	8	8	8	8	8	8	8	8	8	8	8	8
L	16	16	20	20	20	20	20	20	20	24	24	24	24
M	16	16	20	20	20	20	20	20	20	24	24	24	24
N	1	1	1	1	1	1	1	1	1	1	1	1	1
O	2	2	2	2	2	2	2	2	2	2	2	2	2
P	1	1	1	1	1	1	1	1	1	1	1	1	1
Q	1	1	1	1	1	1	1	1	1	1	1	1	1
R	0	0	0	0	0	0	0	0	0	0	0	0	0
S	0	0	0	0	0	0	0	0	0	0	0	0	0
T	0	0	0	0	0	0	0	0	0	0	0	0	0

A	P61356	P61356	P61356	P61356	P61356	P61356	P61356	P61356	P61356	P61748	P61748	P61748	P61748
B	P61357	P61357	P61357	P61357	P61357	P61357	P61357	P61357	P61357	P61749	P61749	P61749	P61749
C	P61358	P61358	P61358	P61358	P61358	P61358	P61358	P61358	P61358	/	/	/	/
D	P61359	P61359	P61359	P61359	P61359	P61359	P61359	P61359	P61359	P61280	P61280	P61280	P61280
E	/	/	P61360	P61360	P61360	P61360	P61360	P61360	P61360	P61281	P61281	P61281	P61281
F	/	/	/	/	/	/	/	/	/	P61370	P61370	P61370	P61370
G	P61361	P61361	P61361	P61361	P61361	P61361	P61361	P61361	P61361	P61282	P61282	P61282	P61282
H	P61573	P61573	P61362	P61362	P61362	P61362	P61368	P61368	P61368	P61283	P61283	P61283	P61283
I	P61574	P61574	P61363	P61363	P61363	P61363	P61369	P61369	P61369	/	/	/	/
J	P61364	P61364	P61364	P61364	P61364	P61364	P61364	P61364	P61364	P61284	P61284	P61284	P61284
K	P61365	P61365	P61365	P61365	P61365	P61365	P61365	P61365	P61365	P61285	P61285	P61285	P61285
L	P61366	P61366	P61366	P61366	P61366	P61366	P61366	P61366	P61366	P61286	P61286	P61286	P61286
M	P61367	P61367	P61367	P61367	P61367	P61367	P61367	P61367	P61367	P61287	P61287	P61287	P61287
N	56629ASS18	56629ASS18	56251ASS18	56251ASS18	56251ASS18	56251ASS18	56241ASS18	56241ASS18	56241ASS18	56670ASS18	56670ASS18	56670ASS18	56670ASS18
O	P6H1418	P6H1418	P6H1418	P6H1418	P6H1418	P6H1418	P6H1418	P6H1418	P6H1418	P6H1418	P6H1418	P6H1418	P6H1418
P	P6H1419	P6H1419	P6H1419	P6H1419	P6H1419	P6H1419	P6H1419	P6H1419	P6H1419	P6H1419	P6H1419	P6H1419	P6H1419
Q	P6H1158	P6H1158	P6H1158	P6H1158	P6H1158	P6H1158	P6H1158	P6H1158	P6H1158	P6H1158	P6H1158	P6H1158	P6H1158
R	/	/	/	/	/	/	/	/	/	/	/	/	/
S	/	/	/	/	/	/	/	/	/	/	/	/	/
T	/	/	/	/	/	/	/	/	/	/	/	/	/

NO.	#56626	#56465	#56467	#56466	#56470	#56471	#56474	#56475	#56623
	4.88mx4.88mx1.22m (16'x16'x48")	5.49mx2.74mx1.22m (18'x9'x48")	5.49mx2.74mx1.22m (18'x9'x48")	5.49mx2.74mx1.22m (18'x9'x48")	6.71mx3.66mx1.32m (22'x12'x52")	6.71mx3.66mx1.32m (22'x12'x52")	7.32mx3.66mx1.32m (24'x12'x52")	7.32mx3.66mx1.32m (24'x12'x52")	9.56mx4.88mx1.32m (31'4"x16'x52")
A	0	4	4	4	6	6	8	8	12
B	0	2	2	2	2	2	2	2	2
C	0	2	2	2	2	2	2	2	2
D	4	2	2	2	2	2	2	2	2
E	4	2	2	2	2	2	2	2	2
F	8	0	0	0	2	2	2	2	4
G	4	4	4	4	4	4	4	4	4
H	16	12	12	12	16	16	18	18	24
I	0	0	0	0	0	0	0	0	0
J	12	8	8	8	12	12	14	14	20
K	8	8	8	8	8	8	8	8	8
L	32	24	24	24	32	32	36	36	48
M	32	24	24	24	32	32	36	36	48
N	1	1	1	1	1	1	1	1	1
O	0	0	0	0	0	0	0	0	0
P	1	1	1	1	1	1	1	1	1
Q	1	1	1	1	1	1	1	1	1
R	2	2	2	2	2	2	2	2	2
S	1	1	1	1	1	1	1	1	1
T	1	1	1	1	1	1	1	1	1

A	/	P61277	P61277	P61277	P61277	P61277	P61371	P61371	P61371
B	/	P61278	P61278	P61278	P61278	P61278	P61372	P61372	P61372
C	/	P61279	P61279	P61279	P61279	P61279	P61373	P61373	P61373
D	P61280	P61280	P61280	P61280	P61389	P61389	P61389	P61389	P61280
E	P61281	P61281	P61281	P61281	P61390	P61390	P61390	P61390	P61281
F	P61370	/	/	/	P61391	P61391	P61391	P61391	P61370
G	P61282	P61282	P61282	P61282	P61282	P61282	P61282	P61282	P61282
H	P61283	P61283	P61283	P61283	P61392	P61392	P61392	P61392	P61283
I	/	/	/	/	/	/	/	/	/
J	P61284	P61284	P61284	P61284	P61284	P61284	P61284	P61284	P61284
K	P61285	P61285	P61285	P61285	P61285	P61285	P61285	P61285	P61285
L	P61286	P61286	P61286	P61286	P61286	P61286	P61286	P61286	P61286
M	P61287	P61287	P61287	P61287	P61287	P61287	P61287	P61287	P61287
N	56626ASS17	56223ASS17	56223ASS17	56223ASS17	56272ASS17	56272ASS17	56229ASS17	56229ASS17	56338ASS18
O	/	/	/	/	/	/	/	/	/
P	P6H1419	P6H1419	P6H1419	P6H1419	P6H1419	P6H1419	P6H1419	P6H1419	P6H1419
Q	P6H1158	P6H1158	P6H1158	P6H1158	P6H1158	P6H1158	P6H1158	P6H1158	P6H1158
R	P6(H)1510	P6(H)1510	P6(H)1510	P6(H)1510	P6(H)1510	P6(H)1510	P6(H)1510	P6(H)1510	P6(H)1510
S	P6H1323	P6H1323	P6H1323	P6H1323	P6H1323	P6H1323	P6H1323	P6H1323	P6H1323
T	P6H1317	P6H1317	P6H1317	P6H1317	P6H1317	P6H1317	P6H1317	P6H1317	P6H1317

POWER STEEL™ RECTANGULAR POOLS OWNER'S MANUAL



WARNING

Carefully read, understand, and follow all information in this user manual before installing and using the swimming pool. These warnings, instructions, and safety guidelines address some common risks of water recreation, but they cannot cover all risks and dangers in all cases. Always use caution, common sense, and good judgment when enjoying any water activity. Retain this information for future use.

Non Swimmers safety

- Continuous, active, and vigilant supervision of weak swimmers and non-swimmers by a competent adult is required at all times (remembering that children under five are at the highest risk of drowning)
- Designate a competent adult to supervise the pool each time it is being used
- Weak swimmers or non-swimmers should wear personal protection equipment when using the pool.
- When the pool is not in use, or unsupervised, remove all toys from the swimming pool and its surrounding to avoid attracting children to the pool.

Safety devices

- In order to prevent children from drowning, it is recommended to secure the access to the pool with a protection device. In order to prevent children climbing from the inlet and outlet valve, it is recommended to install a barrier (and secure all doors and windows, where applicable) to prevent unauthorized access to the swimming pool.
- Barriers, pool covers, pool alarms, or similar safety devices are helpful aids, but they are not substitutes for continuous and competent adult supervision.

Safety equipment

- It is recommended to keep rescue equipment (e.g. a ring buoy) by the pool.
- Keep a working phone and a list of emergency phone numbers near the pool.

Safe use of the pool

- Encourage all users especially children to learn how to swim.
- Learn Basic Life Support (Cardiopulmonary Resuscitation - CPR) and refresh this knowledge regularly. This can make a life-saving difference in the event of an emergency.
- Instruct all pool users, including children, what to do in case of an emergency.
- Never dive into any shallow body of water. This can lead to serious injury or death.
- Do not use the swimming pool when using alcohol or medication that may impair your ability to safely use the pool.
- When pool covers are used, remove them completely from the water surface before entering the pool.
- Protect pool occupants from water related illnesses by keeping the pool water treated and practicing good hygiene.
- Consult the water treatment guidelines in the user's manual.
- Store chemicals (e.g. water treatment, cleaning or disinfection products) out of the reach of children.
- Use the signage as outlined below. Signage is to be displayed in a prominent position within 2m of the pool.



Keep children under supervision in the aquatic environment. No diving.

- Removable ladders shall be placed on a horizontal surface.
- Irrespective of materials used for swimming pool construction, accessible surfaces have to be checked regularly to avoid injuries.
- Regularly monitor bolts and screws. Remove splinters or any sharp edges to avoid injuries.

ATTENTION: do not leave the drained pool outside. The empty pool is liable to become deformed and/or displaced due to wind.

- If you have a filter pump, refer to the pump's manual for instructions
- WARNING!** The pump cannot be used while people are inside the pool!

- If you have a ladder, refer to the ladder's manual for instructions
- WARNING!** The pump cannot be used while people are inside the pool!

- If you have a ladder, refer to the ladder's manual for instructions
- WARNING!** The use of a swimming pool implies compliance with the safety instructions described in the operating and maintenance guide. In order to prevent drowning or other serious injuries, pay particular attention to the possibility of unexpected access to the swimming pool by children under 5 years by securing the access to it, and, during the bathing period, keep them under constant adult supervision.

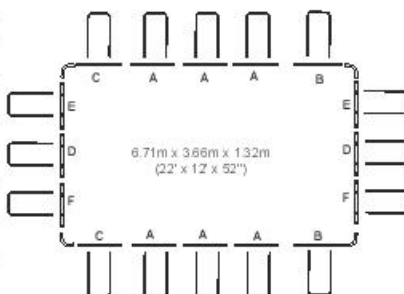
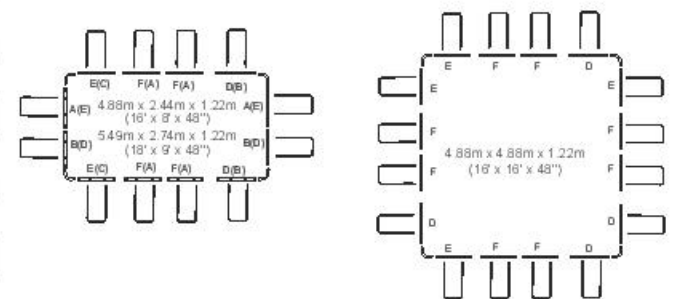
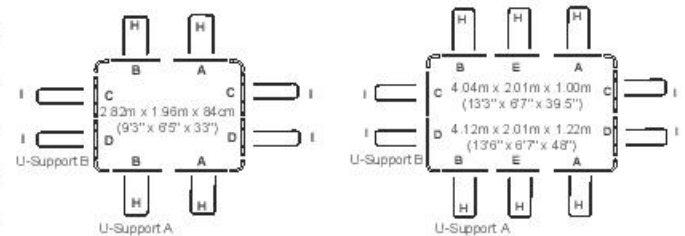
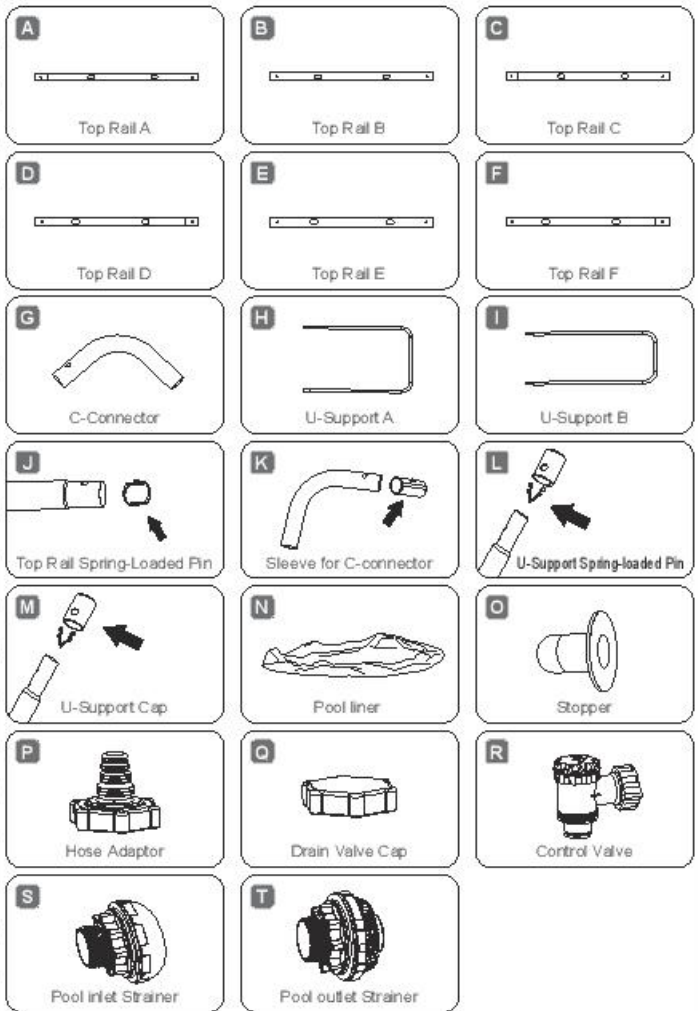
Please read carefully and keep for future reference

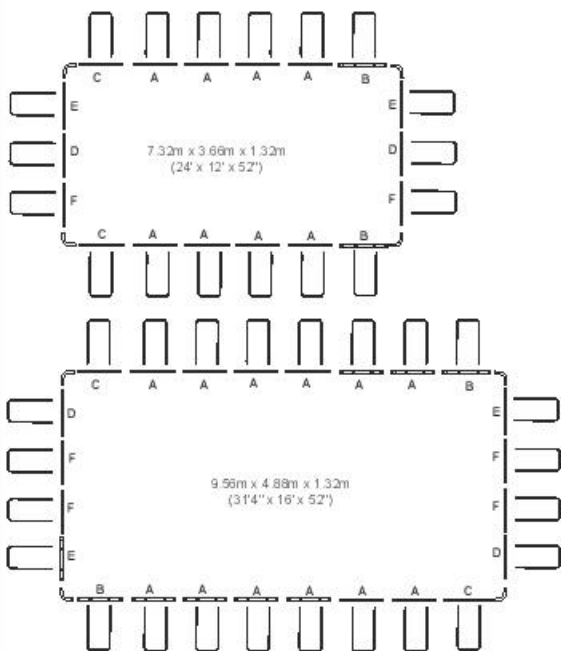
Installation usually takes approximately 20 - 30 minutes with 2-3 people excluding earthworks and filling.

See below for part descriptions.

Components list:

NOTE: Some parts already have been installed on the pool.





NOTE: Drawing for illustration purpose only. May not reflect actual product. Not to scale.

PLEASE READ CAREFULLY AND RETAIN FOR FUTURE REFERENCE.

CHOOSE THE CORRECT LOCATION

NOTE: The pool must be set up on a completely flat and level surface. Please do not install the pool if the surface is inclined or sloped.

Correct conditions to set up the pool:

- The selected location has to be capable of uniformly supporting the weight for the entire time the pool is installed, moreover the location must be flat and must be cleared of all objects and debris including stones and twigs.

- We recommend positioning the pool away from any objects children could use to climb into the pool.

NOTE: Position the pool near an adequate drainage system to deal with overflow or to discharge the pool.

Incorrect conditions to set up the pool:

- On uneven ground the pool may collapse causing serious personal injury and/or damage to personal property and will void the warranty and prevent any service claims.
- Sand should not be used to create a level base; the ground must be dug out if necessary.
- Directly under overhead power lines or trees. Be sure the location does not contain underground utility pipes, lines or cables of any kind.
- Do not set up the pool on driveways, decks, platforms, gravel or asphalt surfaces. The selected location should be firm enough to withstand the pressure of the water; mud, sand, soft / loose soil or tar are not suitable.
- Grass or other vegetation under the pool will die and may cause odors and slime to develop, therefore we recommend removing all grass from the selected pool location.
- Avoid areas prone to aggressive plant and weed species that may grow through the ground cloth or liner.

NOTE: Check with your local city council for by-laws relating to fencing, barriers, lighting and safety requirements and ensure you comply with all laws.

NOTE: If have a filter pump, refer to the pump's manual for instructions.

NOTE: The ladder must match the pool size and should to be used only for entering and exiting the pool. It is forbidden to exceed the permitted payload of the ladder. Check regularly if the ladder is properly assembled.

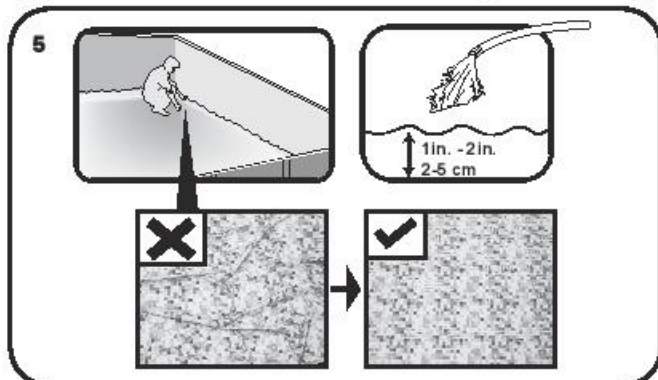
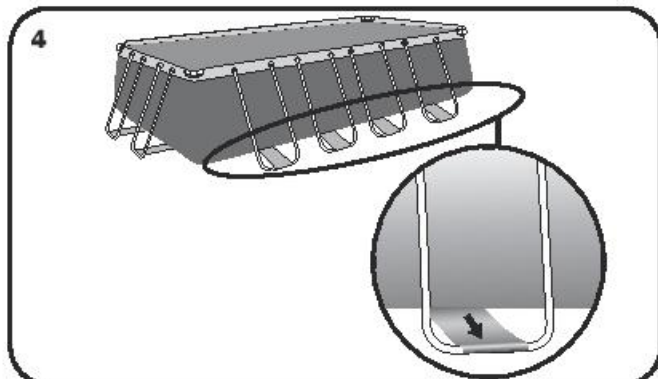
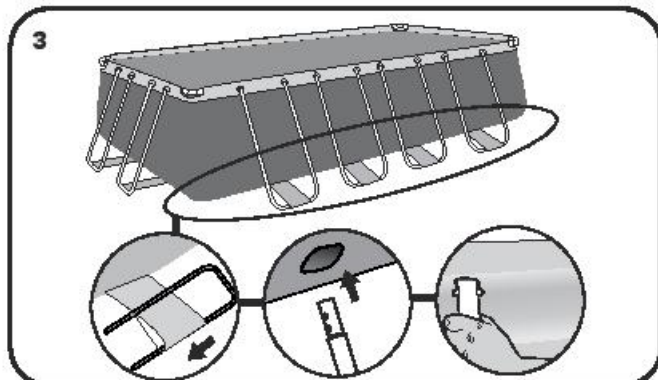
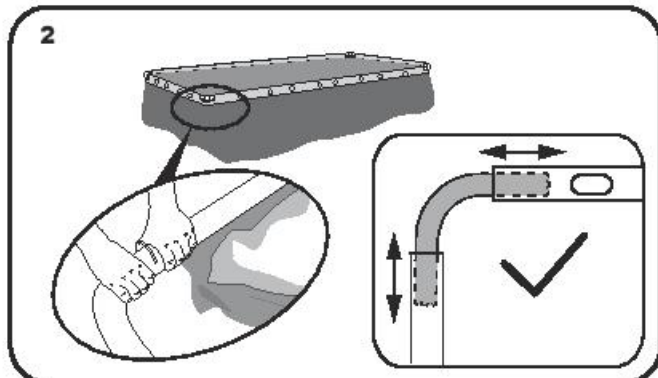
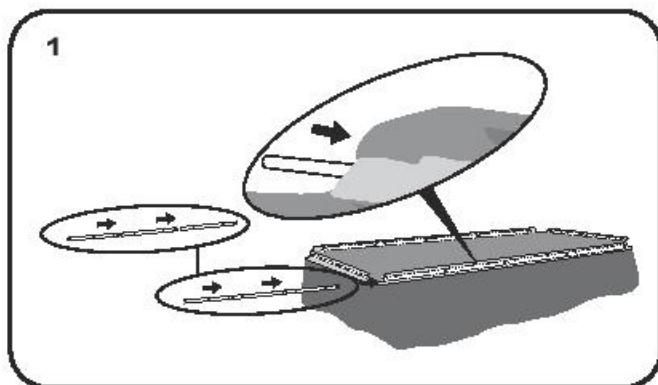
Installation

Assembly of the Rectangular Frame Pool can be completed without tools.

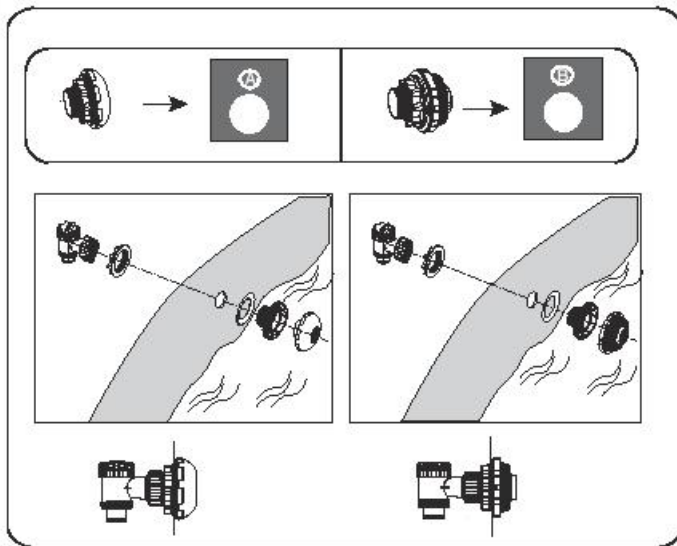
Bestway Inflatables will not be responsible for damage caused to the pool due to mishandling or failure to follow these instructions.

1. Lay out all parts and check that you have the correct quantities as listed in the components list. If you are missing any part do not assemble the pool, contact Bestway Customers Service.
2. Spread out the pool and make sure the pool is right side up, let it sit exposed to direct sunlight for 1 hour or more so that the pool is more flexible during set up.
3. Place the pool near an adequate drainage system to deal with overflow water and ensure the pool's inlet A and outlet B are correctly positioned to allow your filter pump to connect to a power source. **Note:** Do not use extension power cords to power your pump.

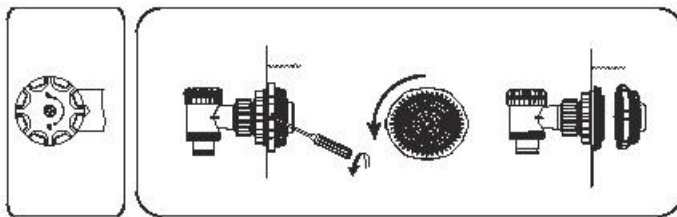
ATTENTION: Do not drag the pool on the ground, this can damage the pool.



Connection Valve Assembly
For pool with connection valve.



NOTE: If you want to connect other pool cleaning kits to the pool through the connection valve, use a Phillips screwdriver to disassemble the Debris Screen from the Connector.



Filling Pool with Water

ATTENTION: Do not leave pool unattended while filling with water.

1. Fill pool until water capacity is 90%, DO NOT OVERFILL as this could cause the pool to collapse. In times of heavy rainfall you may need to empty some of the water to ensure the level is correct.

2. When filling the pool is completed, check that the water is not collecting on any side to ensure the pool is level.

IMPORTANT: If pool is not level, drain water and re-level ground by digging out.

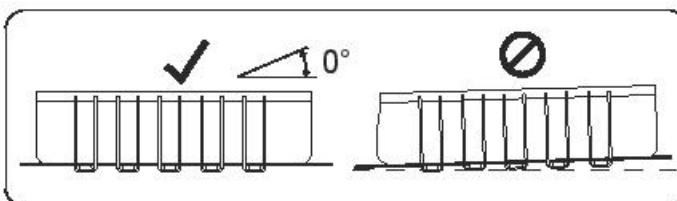
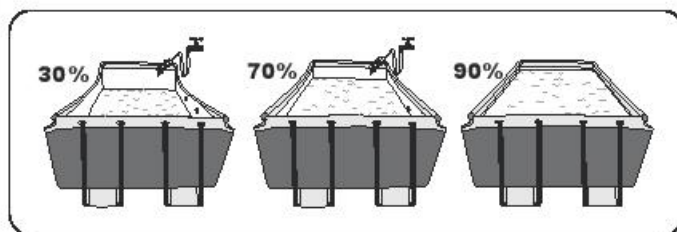
Never attempt to move the pool with water in it, serious personal injury or damage to the pool may result.

WARNING: Your pool may contain a great deal of pressure. If your pool has any bulge or uneven side then the pool is not level, the sides may burst and the water may discharge suddenly causing serious personal injury and/or damage to property.

3. Check pool for any leaks at valves or seams, check ground cloth for any evident water loss. Do not add chemicals until this has been done.

NOTE: In the event of a leak, patch your pool using the underwater adhesive repair patch provided.

Refer to the FAQ's for further information.



POOL MAINTENANCE

WARNING: If you do not adhere to the maintenance guidelines covered herein, your health might be at risk, especially that of children. Pool water treatment is essential for the safety of the users. Using chemicals inappropriately will cause property damage and personal injury.

NOTE: The pump is used to circulate the water and to filter small particles. In order to keep your pool water clean and hygienic, you must also add chemicals.

1. It is recommended not to fill the pool with catchment water, drilling water, or drainage well water: these waters generally contain polluted organic substances including nitrates and phosphates. Filling pools with water from the public network is advised.
2. Always keep your pool clean and apply the correct pool chemicals. Unsanitary water is a serious health hazard. It is recommended to use disinfectant, flocculant, acid or alkali chemicals to treat your pool.
3. Clean the PVC liner regularly with non-abrasive brushes or a pool vacuum cleaner.
4. Throughout the season, the water filtration system must run long enough each day to clean the entire volume of water in the pool.
5. Check the filter cartridge (or sand in a sand filter) regularly and replace dirty cartridges (or sand).
6. Regularly check the screws, bolts and all the metal parts for rust. Replace if necessary.
7. If it rains, check that the water level is not higher than the specified level. If water exceeds the specified levels, drain the pool to the specified level.
8. Do not use the pump when the pool is in use.
9. Cover the pool when not in use.
10. For pool water treatment, the pH value is very important.

ATTENTION: Do not leave the drained pool outside.
The following parameters ensure good quality water.

Parameters	Values
Water clarity	clear view of the pool bottom
Colour of the water	no colour should be observed
Turbidity in FNU/NTU	max. 1,5 (preferably less than 0,5)
Nitrate concentration above that of fill water in mg/l	max. 20
Total organic carbon (TOC) in mg/l	max. 4,0
Redox potential against Ag/AgCl 3,5 m KCl in mV	min. 650
pH value	6,8 to 7,6
Free active chlorine (without cyanuric acid) in mg/l	0,3 to 1,5
Free chlorine used in combination with cyanuric acid in mg/l	1,0 to 3,0
Cyanuric acid in mg/l	max 100
Combined chlorine in mg/l	max 0,5 (preferably close to 0,0 mg/l)

ATTENTION: Do not use pump when pool is in use.

During the season of use of the swimming pool, the filtration system must be necessarily put into service every day, enough for a long time to assure at least a complete renewal of the volume of water.

Repair

Check pool for any leaks from valves or seams, check the ground cloth for any evident water loss. Do not add chemicals until this has been done.

NOTE: In the event of a leak, patch your pool using the underwater adhesive repair patch provided. Refer to the FAQ's for further information.

Dismantling

1. Unscrew the drain valve cap on the outside of the pool counter clockwise and remove.
2. Connect the adaptor to the hose and put the other end of the hose in the area where you are going to drain your pool. (Check local regulations for drainage by-laws).
3. Screw the control ring of the hose adaptor clockwise onto the drain valve. The drain valve will be open and water will start to drain automatically.

ATTENTION: Water flow can be controlled with the control ring.

4. When draining is finished, unscrew the control ring to close the valve.
5. Disconnect the hose.
6. Screw the cap back onto the drain valve.
7. Air dry pool.

ATTENTION: Do not leave the drained pool outside.

Storage and Winterization

1. Please remove all the accessories and spare parts of the pool and store them clean and dry.
2. Once pool is completely dry, sprinkle with talcum powder to prevent pool from sticking together, fold pool carefully. If pool is not completely dry, mold may result and will damage the pool liner.
3. Store liner and accessories in a dry place with a moderate temperature between 5°C / 41°F and 38°C / 100°F.
4. During the rainy season, pool and accessories should be stored as per above instructions also.
5. Improper draining of the pool might cause serious personal injury and/or damage to personal property.
6. We strongly recommend the pool is disassembled during the off season (winter months). Store in a dry location out of children's reach.

Limited BESTWAY® Manufacturer's Warranty

The product you have purchased comes with a limited warranty. Bestway® stands behind our quality guarantee and assures, through a replacement warranty, your product will be free from manufacturer's defects.

The following provision is only valid within the European member state countries. The legal regulation of Directive 1999/44/EC will not be effected by this BESTWAY limited warranty.

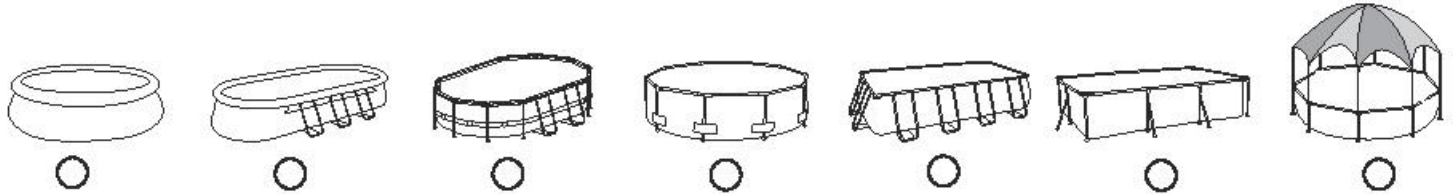
To enact a warranty claim, this form must be completed and submitted with a copy of your receipt/purchase to your local Bestway After Sales Center. Before any claims can be accepted, the Bestway After Sales Center may ask you to send a piece of the defective part to the center (e.g. a cut out of the production batch number / drain valve). Please contact your local Bestway After Sales Center before sending any documents. They will provide full instructions of what is needed for your claim.

Bestway® is not responsible for economic loss due to water or chemical costs. Bestway® will not replace any products deemed to have been damaged due to negligence or used outside of the owner's manual guidelines.

Bestway's warranty covers manufacturing defects discovered while unpacking the product or during use, within the limits of use and respectful of warnings and instructions given within the user's manual. This warranty applies only to the product and must not have been modified by any 3rd parties. The product must be stored and handled in accordance with the technical recommendations.

The Limited Warranty is valid for the period indicated above. The warranty start date is the date of sale shown on the original receipt/purchase invoice.

Please choose the type of your pool:



Date of purchase: _____ Customer Code Number: _____

TO: Bestway® Service Department Date: _____

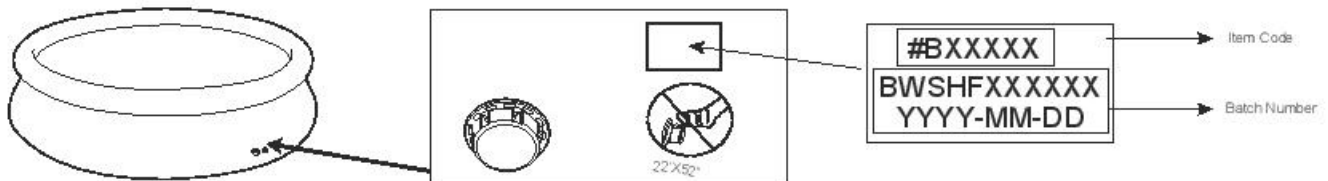
FAX/E-MAIL/TEL: Please refer to your country according to the information found on the back cover or on our website: www.bestwaycorp.com. Please provide your address details in full. **Note:** Incomplete address details will result in delayed shipments. Bestway reserves the right to charge for redelivery of undelivered packages where the recipient is at fault.

REQUIRED INFORMATION - PLEASE WRITE THE SHIPPING ADDRESS

Name: _____ Address: _____
 Zip Code: _____ Retailer: _____
 Country: _____ City: _____
 Mobile: _____ Telephone: _____
 Fax: _____ E-mail: _____

Please write the Batch Number and Item Code located near the drain valve

Batch Number: _____ Item Code: _____



Problem description

- Item is torn /Leaking
 Faulty welding
 Faulty upper ring
 Faulty drain valve
 Other (Please describe)
 Missing part (Please use the code for the missing part. This can be found in the owner's manual.)

IMPORTANT: ONLY THE DAMAGED PART WILL BE REPLACED, NOT THE COMPLETE SET.

Bestway reserves the right to request photographic evidence of defective parts, or to require sending the item for additional testing. In order to better assist you, we request all information you provide to be complete.

FOR FAQ, MANUALS, VIDEOS OR SPARE PARTS, PLEASE VISIT OUR WEBSITE: www.bestwaycorp.com
 VIDEOS ARE ALSO AVAILABLE ON OUR BESTWAY CHANNEL ON YOU TUBE: www.youtube.com/user/BestwayService



POWER STEEL™ RECTANGULAR POOLS BENUTZERHANDBUCH



Besuchen Sie den YouTube-Kanal von Bestway

ACHTUNG

Vor dem Bau und der Benutzung des Schwimmbeckens werden sämtliche Informationen in dieser Anleitung sorgfältig gelesen, verstanden und befolgt. Diese Warnhinweise, Anleitungen und Sicherheitsrichtlinien umfassen einige allgemeine Risiken in Bezug auf Freizeitbeschäftigung im Wasser, sie können jedoch nicht sämtliche Risiken und Gefährdungen in allen Fällen behandeln. Bei jeglicher Aktivität im Wasser wird Vorsicht, gesunder Menschenverstand und gutes Urteilsvermögen wägen gelassen. Diese Angaben werden für die spätere Nutzung aufbewahrt.

Sicherheit von Nichtschwimmern

- Es ist jederzeit eine ständige, aktive und wachsame Beaufsichtigung schwacher Schwimmer und Nichtschwimmer durch eine sachkundige erwachsene Aufsichtsperson erforderlich (es wird daran erinnert, dass das größte Risiko des Ertrinkens bei Kindern unter 5 Jahren besteht).
- Es wird eine sachkundige erwachsene Person bestimmt, die das Becken überwacht, wenn es benutzt wird.
- Schwache Schwimmer oder Nichtschwimmer sollten persönliche Schutzausrüstung tragen, wenn sie ins Schwimmbecken gehen.
- Wenn das Schwimmbecken nicht benutzt oder überwacht wird, werden sämtliche Spielsachen aus dem Schwimmbecken und seiner Umgebung entfernt, um zu verhindern, dass Kinder davon angezogen werden.

Sicherheitsvorrichtungen

- Um das Ertrinken von Kindern zu verhindern, wird empfohlen, den Zugang zum Schwimmbecken mit einer Schutzvorrichtung zu sichern. Um Kinder vom Klettern über das Einlass- und Auslassventil abzuhalten, Es wird empfohlen, eine Absperrung zu errichten (und sämtliche Türen und Fenster zu sichern, sofern zutreffend), um unberechtigten Zutritt zum Schwimmbecken zu vermeiden.
- Absperrungen, Beckenabdeckungen, Alarmanlagen oder ähnliche Sicherheitsvorrichtungen sind sinnvolle Hilfsmittel, ersetzen jedoch keine ständige und sachkundige Überwachung durch erwachsene Personen.

Sicherheitsausrüstung

- Es wird empfohlen, Rettungs-ausrüstung (z. B. einen Rettungsring) in der Nähe des Beckens aufzubewahren.
- Ein funktionierendes Telefon und eine Liste von Notrufnummern werden in der Nähe des Schwimmbeckens aufbewahrt.

Sichere Nutzung des Schwimmbeckens

- Sämtliche Nutzer, insbesondere Kinder, werden dazu ermuntert, schwimmen zu lernen.
- Erste Hilfe (Herz-Lungen-Wiederbelebung) erlernen und diese Kenntnisse regelmäßig auffrischen. Das kann bei einem Notfall einen lebensrettenden Unterschied ausmachen.
- Sämtliche Beckenbenutzer, einschließlich Kinder, anweisen, was in einem Notfall zu tun ist.
- Niemals in flaches Wasser springen. Das kann zu schweren Verletzungen oder zum Tode führen.
- Das Schwimmbecken nicht benutzen, wenn man unter dem Einfluss von Alkohol oder Medikamenten steht, welche die Fähigkeit zur sicheren Nutzung des Beckens beeinträchtigen können.
- Beckenabdeckungen vor dem Betreten des Schwimmbeckens vollständig von der Wasseroberfläche entfernen, wenn sie verwendet werden.
- Die Nutzer des Schwimmbeckens werden vor durch das Wasser verbreiteten Krankheiten geschützt, indem das Wasser stets aufbereitet und hygienisch unbedenklich gehalten wird. Die Richtlinien zur Wasseraufbereitung in der Gebrauchsanleitung werden zu Rate gezogen.
- Chemikalien (z. B. Produkte für die Wasseraufbereitung, Reinigung oder Desinfektion) außerhalb der Reichweite von Kindern aufbewahren.
- Die nachstehenden Zeichen werden verwendet. Die Zeichen sind an einer gut sichtbaren Stelle innerhalb von 2 000 mm in der Nähe des Schwimmbeckens anzubringen.

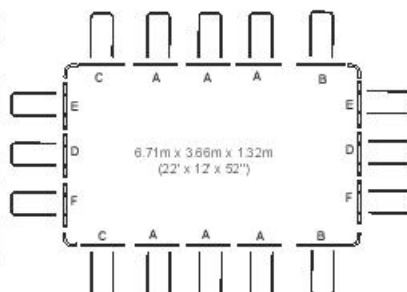
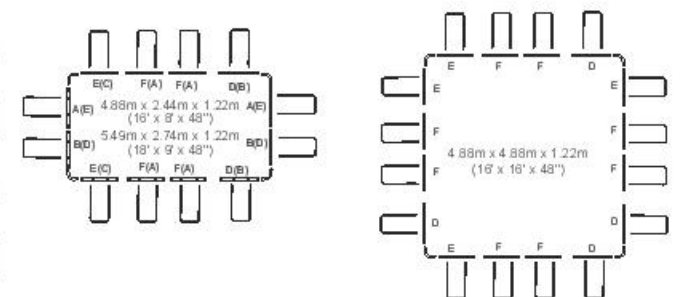
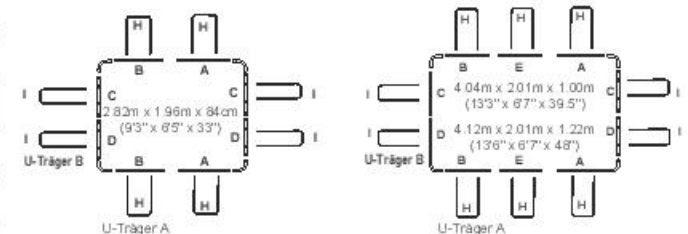
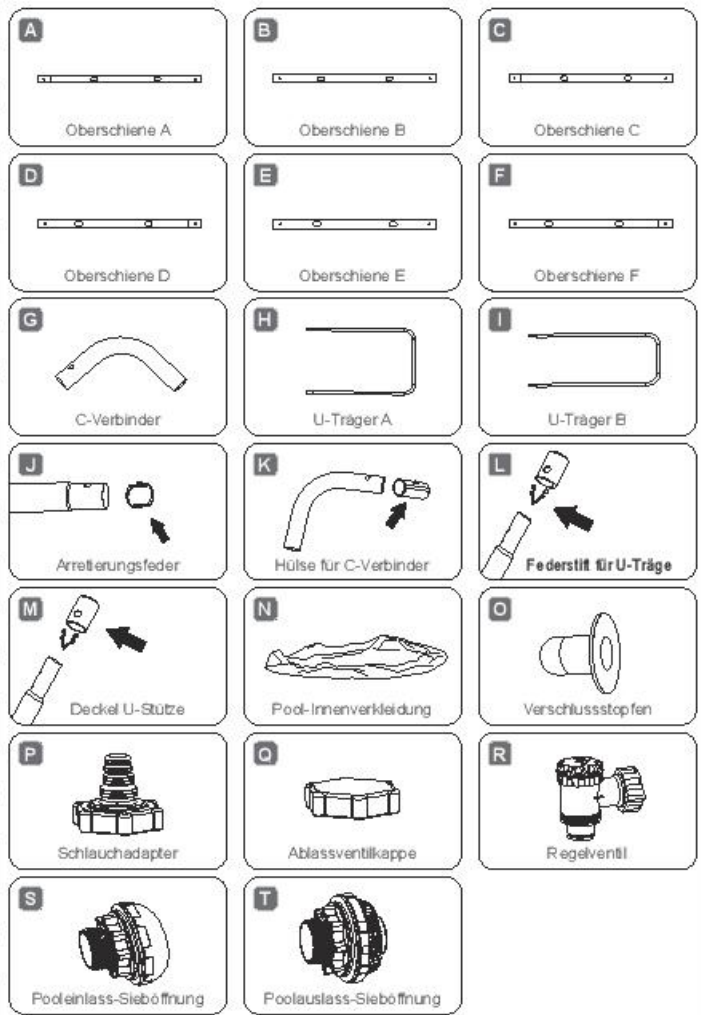


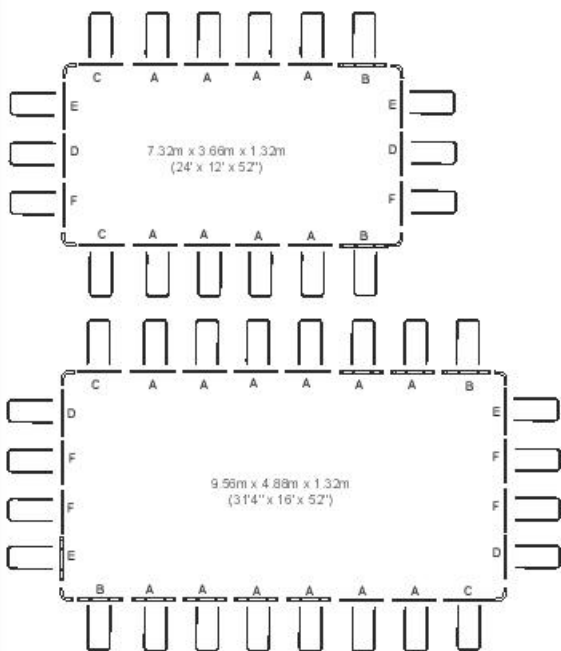
- Beaufsichtigen Sie stets Kinder in Poolumgebung und in Wassernähe. Keine Tauchsprünge.
- Abnehmbare Leitern sind auf einer waagerechten Fläche anzuordnen.
- zugängliche Flächen müssen regelmäßig überprüft werden, um Verletzungen zu vermeiden, unabhängig von den für den Bau des Schwimmbeckens verwendeten Materialien.
- Prüfen Sie regelmäßig Bolzen und Schrauben; entfernen Sie Späne, Spreißel sowie sämtliche scharfen Kanten, um Verletzungen zu vermeiden.
- **ACHTUNG:** Lassen Sie den entleerten Pool nicht im Freien. Der leere Pool neigt dazu, durch den Wind verformt und/oder verschoben zu werden.
- Wenn Sie über eine Filterpumpe verfügen, beachten Sie die Anweisungen des Filterpumpen-Handbuchs.
- **ACHTUNG!** Die Pumpe darf nicht betrieben werden, wenn sich Menschen im Pool aufhalten!
- Wenn Sie über eine Leiter verfügen, beachten Sie die Anweisungen des Leiter-Handbuchs.
- **ACHTUNG!** Die Nutzung eines Swimmingpools setzt die Einhaltung der im Betriebs- und Wartungshandbuch beschriebenen Sicherheitsanweisungen voraus. Um der Gefahr des Ertrinkens und anderer schwerer Unfälle vorzubeugen, achten sie besonders darauf, dass Kinder unter 5 Jahren den Pool nicht unerwartet betreten und sichern sie den Zugang entsprechend ab. Stellen Sie weiterhin während der Badezeiten eine konstante Beaufsichtigung der Kinder durch Erwachsene sicher.

Bitte sorgfältig lesen und als künftige Referenz aufbewahren.

Die Montage durch 2-3 Personen erfordert in der Regel etwa 20-30 Minuten, exklusive ggf. erforderlicher Bodenarbeiten und Befüllung.
Siehe unten zur Beschreibung der Bauteile.

Bauteilübersicht:
HINWEIS: Einige Teile wurden bereits am Pool installiert





HINWEIS: Zeichnung dient nur zu Illustrationszwecken. Abweichungen zum Produkt möglich. Nicht maßstabsgetreu.

BITTE AUFMERKSAM DURCHLESEN UND ZUM SPÄTEREN NACHSCHLAGEN AUFBEWAHREN.

WÄHLEN SIE EINE GEBIGNETE STELLE AUS

HINWEIS: Der Pool muss auf einer vollkommen flachen und ebenen Oberfläche aufgestellt werden. Installieren Sie den Pool nicht, wenn die Oberfläche geneigt oder abschüssig ist.

Erforderliche Voraussetzungen für den Aufbau des Pools:

- Der gewählte Bereich muss geeignet sein, das vollständige Gewicht über die gesamte Nutzungsdauer nach dem Aufbau des Pools zu tragen. Weiterhin muss der Untergrund eben sowie frei von Gegenständen und Verunreinigungen sein, inklusive Steinen und Zweigen
- Wir empfehlen die Aufstellung in ausreichender Entfernung von Objekten, mit deren Hilfe Kinder in den Pool klettern könnten.

HINWEIS: Stellen Sie den Pool in der Nähe eines geeigneten Abflusssystemes auf, um überlaufendes Poolwasser aufzufangen oder den Pool zu entleeren.

Ungeeignete Voraussetzungen für den Aufbau des Pools:

- Der Aufbau auf unebenem Untergrund kann zum Einstürzen des Pools und zu ernsthaften Verletzungen und / oder Sachschäden sowie zum Verlust jeglicher Garantie- und Service-Ansprüche führen.
- Es darf kein Sand verwendet werden, um einen ebenen Untergrund zu schaffen, der Untergrund muss ausgegraben werden, wenn erforderlich.
- Direkt unter Freileitungen oder Bäumen auf. Vergewissern Sie sich, dass der Bereich keine unterirdischen Versorgungsrohre, Leitungen oder Kabel jeglicher Art enthält.
- Stellen Sie den Pool nicht auf Zufahrtswegen, Veranden, Podesten, Kies- oder Asphalt-Oberflächen auf. Der gewählte Bereich muss dem Gewicht des Wassers standhalten; Schlamm, Sand, weicher / lockerer Erdboden oder Teer sind nicht geeignet.
- Rasen oder andere Vegetation wird unter dem Pool absterben, wodurch es zu Geruchs- und Schleimbildung kommen kann. Wir empfehlen daher, sämtliches Gras vor der Aufstellung aus dem gewählten Bereich zu entfernen.
- Meiden Sie Bereiche, die für aggressiv wachsende Pflanzen- und Unkrautarten anfällig sind, welche durch das Bodengewebe oder die Verkleidung treiben könnten.

HINWEIS: Informieren Sie sich bei Ihrer örtlichen Stadtverwaltung über Verordnungen bezüglich Einzäunung, Absperrung, Beleuchtung sowie Sicherheitsvorschriften und stellen Sie die Einhaltung aller Gesetze sicher.

HINWEIS: Wenn Sie über eine Filterpumpe verfügen, beachten Sie die Anweisungen des Filterpumpen-Handbuchs.

HINWEIS: Die Leiter muss für die Poolgröße geeignet sein und darf nur zum Betreten und Verlassen des Pools benutzt werden. Es ist untersagt, die zulässige Tragkraft der Leiter zu überschreiten. Prüfen Sie in regelmäßigen Abständen, ob die Leiter ordnungsgemäß montiert ist.

Installation

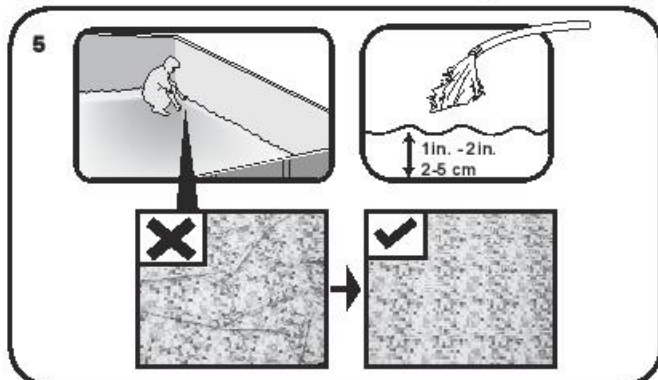
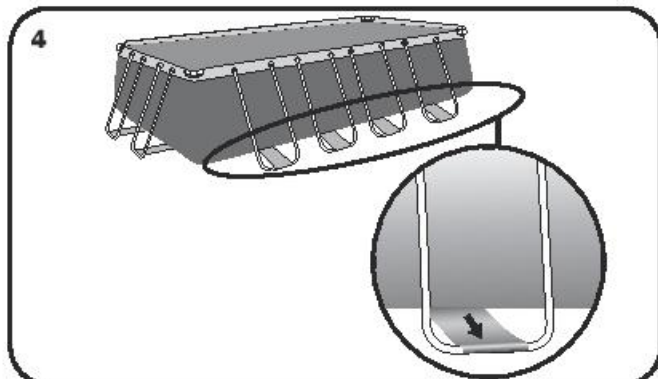
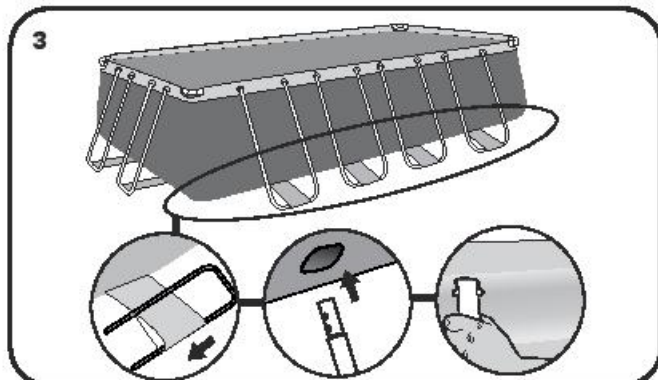
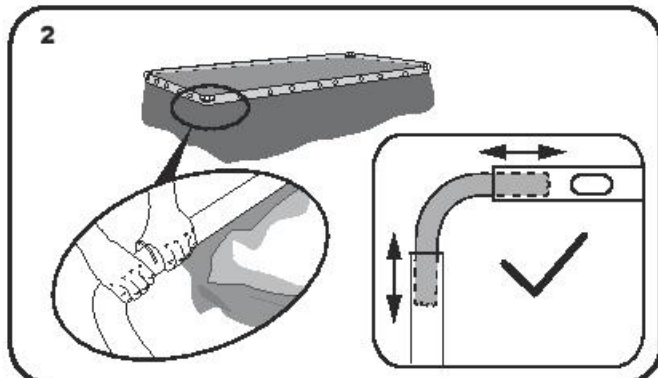
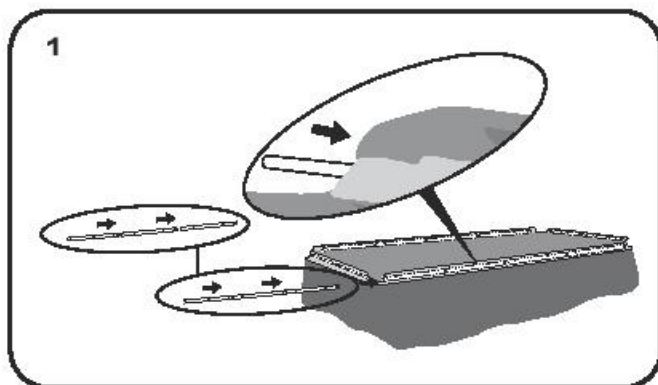
Der Rahmen des rechteckigen Pools kann ganz ohne Werkzeuge montiert werden.

Die Firma Bestway Inflatables kann nicht für Schäden am Pool durch die falsche Behandlung oder Nichtbeachtung dieser Anweisungen haftbar gemacht werden.

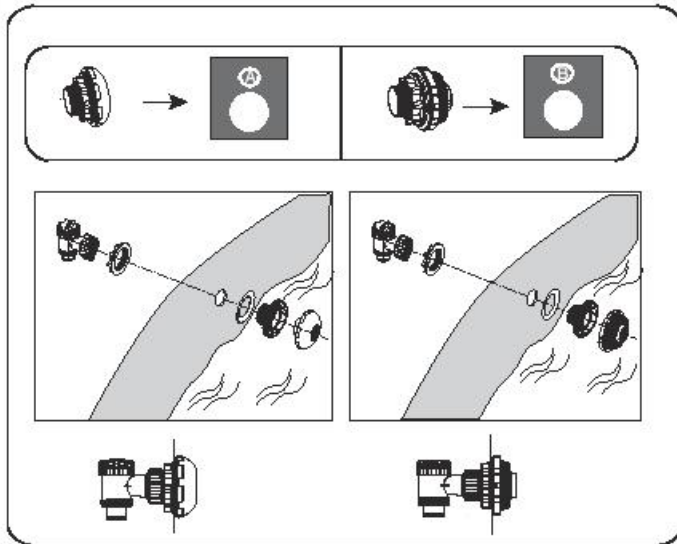
1. Breiten Sie alle Teile aus und überprüfen Sie die in der Bauteilliste angegebenen Stückzahlen. Sollte ein Teil fehlen, führen Sie keine Montage des Pools durch und kontaktieren Sie bitte den Bestway Kundendienst.
2. Falten Sie den Pool auseinander und prüfen Sie, dass die richtige Seite nach oben zeigt. Lassen Sie ihn für mindestens 1 Stunde dem direkten Sonnenlicht ausgesetzt, so dass der Pool während des Aufbaus flexibler ist.
3. Platzieren Sie den Pool in der Nähe eines geeigneten Abflusssystemes, um überlaufendes Wasser abfließen zu können und stellen Sie sicher, dass Einlass A und Auslass B des Pools korrekt positioniert sind, damit Sie Ihre Filterpumpe an eine Spannungsversorgung anschließen können.

HINWEIS: Verwenden Sie keine Verlängerungskabel, um Ihre Pumpe anzuschließen.

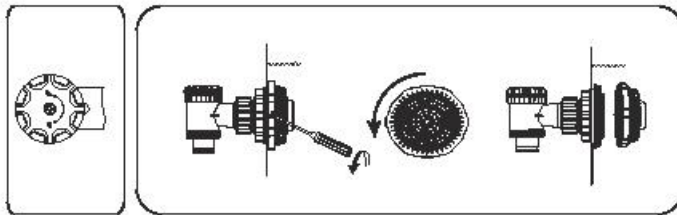
ACHTUNG: Ziehen Sie den Pool nicht über den Boden, da dies den Pool beschädigen kann.



Montage Ventilverbindung Bei Pools mit Anschlussventil



HINWEIS: Wenn Sie über das Anschlussventil ein anderes Poolreinigungs-Kit anschließen möchten, verwenden Sie bitte einen Kreuzschlitzschraubendreher, um das Sieb im Innenbereich zu entfernen.



Füllen des Pools mit Wasser

ACHTUNG: Lassen Sie den Pool während des Einfüllens des Wassers nicht unbeaufsichtigt.

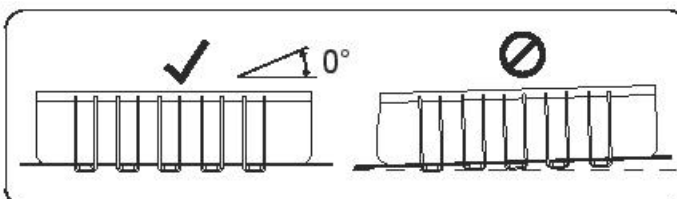
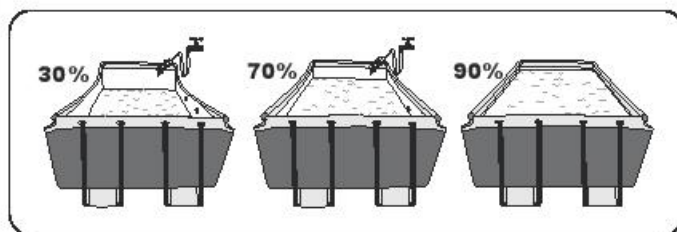
1. Füllen Sie den Pool bis zu 90% seines Fassungsvermögens mit Wasser. **ÜBERFÜLLEN** Sie den Pool nicht, da dies zu einem Reißen führen kann. Bei starken Regenfällen müssen Sie unter Umständen etwas Wasser entfernen, um den richtigen Füllstand zu gewährleisten.

2. Nachdem der Pool vollständig befüllt ist, prüfen Sie, dass sich das Wasser nicht auf einer Seite sammelt, um zu gewährleisten, dass der Pool eben ist.

WICHTIG: Lassen Sie, wenn der Pool nicht eben ist, das Wasser ab und nivellieren Sie den Boden durch Aushub. Versuchen Sie nicht, den Pool mit darin befindlichem Wasser zu bewegen. Dabei kann es zu schweren Verletzungen oder Schäden am Pool kommen.

ACHTUNG: Der Pool kann eine Menge Druck enthalten. Wenn Ihr Pool Ausbuchtungen oder unebene Seiten aufweist, dann ist der Pool nicht auf einer Ebene. Die Seiten können platzen und das Wasser plötzlich entweichen, was zu schweren Verletzungen und / oder Sachschäden führen kann.

3. Prüfen Sie den Pool auf Leckstellen an den Ventilen oder Nähten. Kontrollieren Sie das Bodengewebe auf sichtbare Wasserleckstellen. Fügen Sie erst dann Chemikalien hinzu.
HINWEIS: Flicken Sie den Pool im Falle eines Lecks mit dem mitgelieferten wasserfesten, selbstklebenden Reparaturflicken. Für weitere Informationen wird auf die FAQ verwiesen.



POOLWARTUNG

ACHTUNG: Wenn Sie die hier ausgeführten Wartungsanweisungen nicht beachten, kann dies zu ernststen Gesundheitsgefahren führen, besonders für Ihre Kinder. Eine laufende Poolwasseraufbereitung ist von wesentlicher Bedeutung für die Sicherheit der Benutzer. Der unsachgemäße Einsatz von Chemikalien führt zu ernsthaften Personen- und Sachschäden.

HINWEIS: Die Pumpe wird zur Wasserzirkulation und zum Ausfiltern kleiner Partikel verwendet. Um Ihr Poolwasser sauber und hygienisch zu halten, müssen auch Chemikalien hinzugefügt werden.

- Es wird dringend empfohlen, den Pool nicht mit Regenwasser, Wasser aus Stau- und Auffangbecken, Spülungswasser und Drainagewasser zu befüllen. Diese Arten von Wasser enthalten in der Regel verschmutzte organische Substanzen, einschließlich Nitrate und Phosphate. Es wird empfohlen, Pools mit Wasser aus dem öffentlichen Wassernetz zu befüllen.
- Halten Sie Ihren Pool stets sauber und fügen Sie die richtigen Poolchemikalien hinzu. Unhygienisches Wasser stellt eine ernsthafte Gesundheitsgefährdung dar. Es wird empfohlen, Desinfektionsmittel, Flockungsmittel und saure oder alkalische Chemikalien für die Wasseraufbereitung in Ihrem Pool zu verwenden.
- Reinigen Sie regelmäßig die PVC-Innenverkleidung mit nicht scheuernden Bürsten oder einem Vakuum-Poolreiniger.
- Während der Badesaison muss das Filtersystem täglich ausreichend lange laufen, um das gesamte Poolwasser zu reinigen.
- Überprüfen Sie regelmäßig die Filterkartusche (bzw. den Sand in einem Sandfilter) und tauschen Sie verschmutzte Kartuschen (bzw. verschmutzten Sand) aus.
- Überprüfen Sie regelmäßig die Schrauben, Bolzen und alle anderen Metallteile auf Rost. Ersetzen Sie diese, wenn erforderlich.
- Überprüfen Sie bei Regen, dass der Wasserstand nicht über die zulässige Höhe steigt. Übersteigt der Wasserstand die zulässige Höhe, lassen Sie so viel Wasser aus dem Pool ab, dass die zulässigen Grenzwerte eingehalten werden.
- Betreiben Sie die Pumpe nicht, während der Pool benutzt wird.
- Decken Sie den Pool ab, wenn er nicht benutzt wird.
- Für die Poolwasseraufbereitung ist der pH-Wert sehr wichtig.

ACHTUNG: Lassen Sie den entleerten Pool nicht im Freien. Die folgenden Parameter gewährleisten gute Wasserqualität.

Parameter	Werte
Klarheit des Wassers	Klare Sicht auf den Poolboden
Farbe des Wassers	Es sollte keine Verfärbung ersichtlich sein
Trübung in FNU/NTU	max. 1,5 (vorzugsweise weniger als 0,5)
Nitratkonzentration oberhalb des natürlichen Gehaltes des Fullwassers in mg/l	max. 20
Gesamter organischer Kohlenstoff (TOC) in mg/l	max. 4,0
Redoxpotential gegen Ag/AgCl 3,5 M KCl in mV	min. 650
pH-Wert	6,8 bis 7,6
Freies aktives Chlor (ohne Cyanursäure) in mg/l	0,3 bis 1,5
Freies Chlor, verwendet in Verbindung mit Cyanursäure in mg/l	1,0 bis 3,0
Cyanursäure in mg/l	max. 100
Gebundenes Chlor in mg/l	max. 0,5 (vorzugsweise nahe bei 0,0 mg/l)

ACHTUNG: Bitte schalten Sie die Pumpe bei Poolbenutzung aus. Während der Pool-Saison muss das Filtersystem täglich ausreichend in Betrieb sein, um eine komplette Aufbereitung des Wassers zu gewährleisten.

Reparatur

Prüfen Sie den Pool sorgfältig auf Lecks aus Ventilen oder Nähten und prüfen Sie die Bodenebene auf erkennbare Wasserverluste. Geben Sie keine Chemikalien hinzu, bevor Sie dies getan haben.

HINWEIS: Flicken Sie den Pool im Falle eines Lecks mit dem mitgelieferten wasserfesten, selbstklebenden Reparaturflicken. Für weitere Informationen wird auf die FAQ verwiesen.

Demontage

1. Schrauben Sie die Kappe des Ablassventils gegen den Uhrzeigersinn ab und entfernen Sie die Kappe.

2. Verbinden Sie den Adapter mit dem Schlauch und bringen Sie das andere Ende in dem Bereich an, in den Sie das Poolwasser ableiten möchten. (Halten Sie sich an die örtlichen Bestimmungen und Verordnungen zur Wasserableitung.)

3. Schrauben Sie den Steuerring des Schlauchadapters im Uhrzeigersinn auf das Ablassventil. Das Ablassventil wird geöffnet und das Wasser beginnt automatisch abzulaufen.

ACHTUNG: Der Wasserfluss kann mit dem Steuerring reguliert werden.

4. Schrauben Sie den Steuerring nach dem Entleeren wieder zu, um das Ventil zu schließen.

5. Entfernen Sie den Schlauch.

6. Schrauben Sie die Kappe wieder auf das Ablassventil.

7. Lassen Sie den Pool an der Luft trocknen.

ACHTUNG: Nach dem Trocknen in geschlossenen Räumen lagern.

Lagerung und Überwinterung

1. Entfernen Sie sämtliches Zubehör und alle Ersatzteile vom Pool und lagern Sie diese sauber und trocken.

2. Ist der Pool vollständig getrocknet, bestäuben Sie ihn mit Talkumpuder, um ein Zusammenhaften zu vermeiden, und falten Sie den Pool vorsichtig zusammen. Ist der Pool nicht vollständig getrocknet, kann sich Schimmel bilden, der die Innenverkleidung des Pools beschädigt.

3. Lagern Sie die Innenverkleidung und das Zubehör an einem trockenen Ort bei gemäßigten Temperaturen zwischen 5 °C / 41 °F und 38 °C / 100 °F.

4. Während der Regenzeit müssen der Pool sowie alle Zubehöreile auch wie oben ausgeführt gelagert werden.

5. Eine unsachgemäße Entleeren des Pools kann zu ernststen Personen- und/oder Sachschäden führen.

6. Wir empfehlen dringend, den Pool außerhalb der Badesaison (während der Wintermonate) abzubauen. Lagern Sie ihn an einem trockenen Ort außerhalb der Reichweite von Kindern.

Eingeschränkte BESTWAY® Herstellergewährleistung

Das von Ihnen erworbene Produkt unterliegt einer eingeschränkten Gewährleistung. Bestway® steht hinter seiner Qualitätsgarantie und versichert, durch eine Austausch-Gewährleistung, dass Ihr Produkt frei von herstellungsbedingten Defekten ist.

Die nachstehende Vorschrift ist nur in EU-Mitgliedstaaten gültig. Die gesetzliche Regelung der Richtlinie 1999/44/EG bleibt durch diese eingeschränkte Bestway Gewährleistung unberührt.

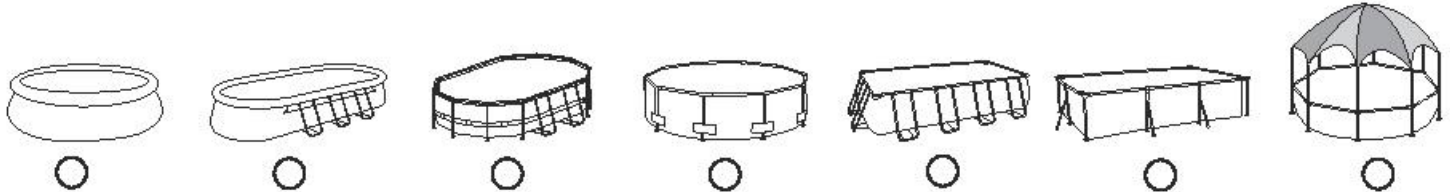
Um Gewährleistungsansprüche geltend zu machen, muss dieses Formular ausgefüllt und mit einer Kopie Ihres Empfangs-/Kaufbelegs versehen an Ihren lokalen Bestway Kundendienst (Bestway Aftersales Center) gesendet werden. Bevor Ihre Ansprüche akzeptiert werden können, wird das Bestway Aftersales Center Sie möglicherweise um die Zusendung defekter Teile (z. B. Ausschnitt der Seriennummer / Ablassventil) bitten. Bitte wenden Sie sich vor dem Absenden von Dokumenten an den lokalen Bestway Kundendienst. Dieser informiert Sie darüber, was für Ihren Gewährleistungsanspruch benötigt wird.

Bestway® haftet nicht für wirtschaftliche Schäden aufgrund von Kosten für Wasser und Chemikalien. Bestway® ersetzt keinerlei Produkte, die als nachlässig behandelt oder außerhalb der Richtlinien des Benutzerhandbuchs verwendet angesehen werden.

Die Bestway Gewährleistung deckt Herstellungsmängel ab, die beim Auspacken oder während der Verwendung des Produkts innerhalb der Nutzungsbeschränkungen sowie unter Berücksichtigung der Warnhinweise und Anweisungen des Benutzerhandbuchs entdeckt werden. Diese Gewährleistung erstreckt sich ausschließlich auf Produkte, welche nicht durch jedwede Drittparteien modifiziert wurden. Die Lagerung und die Handhabung des Produkts müssen entsprechend der technischen Empfehlungen erfolgen.

Die eingeschränkte Gewährleistung gilt für den oben angegebenen Zeitraum. Als Beginn des Gewährleistungszeitraums gilt das Datum des ursprünglichen Empfangs-/Kaufbelegs.

Bitte wählen Sie die Art Ihres Pools aus:



Kaufdatum: _____ Kundennummer: _____

AN: Bestway® Kundendienst Datum: _____

FAX/E-MAIL/TEL: Bitte beachten Sie die Hinweise für Ihr Land entsprechend der Informationen auf der Rückseite der Produktverpackung oder auf unserer Website: www.bestwaycorp.com

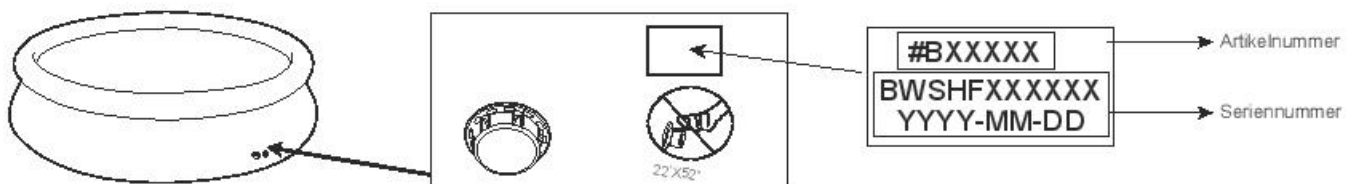
Bitte geben Sie Ihre vollständige Anschrift an. **Hinweis:** Unvollständige Adressdaten führen zu Versandverzögerungen. Bestway behält sich das Recht vor, die Kosten für unberechtigte Rücklieferungen in Rechnung zu stellen.

ERFORDERLICHE INFORMATIONEN - BITTE GEBEN SIE DIE LIEFERADRESSE AN

Name: _____ Anschrift: _____
 PLZ: _____ Händler: _____
 Land: _____ Stadt: _____
 Handy: _____ Telefon: _____
 Fax: _____ E-mail: _____

Bitte geben Sie die Seriennummer und die Artikelnummer an, die sich in der Nähe des Ablassventils befinden

Seriennummer: _____ Artikelnummer: _____



Problembeschreibung

- Risse im Artikel / Leckage
 Fehlerhaftes Verschweißen
 Fehlerhafter oberer Ring
 Fehlerhaftes Ablassventil
 Sonstiges (bitte beschreiben)
 Fehlendes Teil (Bitte verwenden Sie die Artikelnummer des fehlenden Teils. Diese finden Sie im Benutzerhandbuch.)

WICHTIG: ES WIRD LEDIGLICH DAS BESCHÄDIGTE TEIL AUSGETAUSCHT, NICHT DAS GESAMTE SET.

Bestway behält sich das Recht vor, fotografische Nachweise für defekte Teile oder die Zusendung des Artikels für weitere Prüfungen anzufordern. Um Ihnen bestmögliche Hilfestellung bieten zu können, bitten wir Sie um vollständige Angaben.

FÜR FAQ, HANDBÜCHER, VIDEOS ODER ERSATZTEILE BESUCHEN SIE BITTE UNSERE WEBSITE: www.bestwaycorp.com
 VIDEOS SIND AUCH AUF UNSEREM BESTWAY CHANNEL BEI YOUTUBE ERHÄLTlich: <http://youtube.com/user/BestwayService>.

POWER STEEL™ RECHTHOEKIGE ZWEMBADEN GEBRUIKERSHANDLEIDING



Bezoek het Bestway YouTube-kanaal

WAARSCHUWING

Lees, begrijp en volg zorgvuldig alle informatie in deze gebruikershandleiding vooraleer het zwembad te installeren en te gebruiken. Deze waarschuwingen, instructies en veiligheidsrichtlijnen gaan over sommige courante risico's van waterrecreatie, maar ze omvatten niet alle risico's en gevaaren in alle gevallen. **Vaas altijd voorzichtig en gebruik gezond verstand en beoordelingsvermogen** wanneer u van wateractiviteiten geniet. Bewaar deze informatie voor toekomstig gebruik.

Veiligheid van niet-zwemmer

- Continu, actief en waakzaam toezicht van zwakke zwemmers en niet-zwemmers door een competente volwassene is altijd vereist (denk eraan dat kinderen onder de vijf jaar oud het hoogste risico op verdrinking lopen).
- Duid een competente volwassene aan om toezicht te houden op het zwembad telkens wanneer het gebruikt wordt.
- Zwakke zwemmers of niet-zwemmers zouden persoonlijke beschermingsuitrusting moeten dragen wanneer ze het zwembad gebruiken.
- Wanneer het zwembad niet in gebruik is of er geen toezicht is, verwijder alle speelgoed uit het zwembad en zijn omgeving om te vermijden kinderen aan te trekken naar het zwembad.

Veiligheidsmiddelen

- Ten einde verdrinking van kinderen te vermijden, is het aanbevolen om de toegang tot het zwembad te beveiligen met een beschermingselement. Ten einde te voorkomen dat kinderen van de invoer- en afvoerkeppen klimmen, is het aanbevolen een barrière te installeren (en alle deuren en vensters waar van toepassing te beveiligen) om onbevoegde toegang tot het zwembad te voorkomen.
- Barrières, zwembadafdekkingen, zwembadalarmen of gelijkaardige veiligheidsmiddelen zijn nuttige hulpmiddelen, maar het zijn geen vervangingen voor een continu en competent toezicht door volwassenen.

Veiligheidsapparatuur

- Het is aanbevolen om reddingsapparatuur (bijv. een ring-boei) nabij het zwembad te hebben.
- Houd ook een werkende telefoon en een lijst met noodnummers nabij het zwembad.

Veilig gebruik van het zwembad

- Moedig alle gebruikers vooral kinderen aan om te leren zwemmen
- Leer om te reanimeren (cardiopulmonaire reanimatie - CPR) en vernieuw deze kennis regelmatig. Dit kan een levensreddend verschil uitmaken in een noodgeval.
- Onderwijs alle zwembadgebruikers, inbegrepen kinderen, wat te doen in een noodgeval.
- Duik nooit in ondiep water. Dit kan leiden tot ernstige verwondingen of tot de dood.
- Gebruik het zwembad niet wanneer u alcohol of medicatie gebruikt die uw vermogen om het zwembad veilig te gebruiken, zou kunnen aantasten.
- Wanneer zwembadafdekkingen gebruikt worden, verwijder deze volledig uit het wateroppervlak voor u in het zwembad gaat.
- Bescherm de zwembadgebruikers tegen met water verband houdende ziekten door het zwembadwater behandeld te houden en goede hygiëne in acht te nemen. Raadpleeg de richtlijnen voor waterbehandeling in de gebruikershandleiding.
- Bewaar chemicaliën (bijv. voor waterbehandeling of reinigings- en ontsmettingsproducten) buiten het bereik van kinderen.
- Gebruik de aanduidingsborden zoals hieronder aangegeven. Er moeten aanduidingsborden staan in een prominente positie binnen de 2m van het zwembad.



- Houd de kinderen onder toezicht in de wateromgeving. Niet duiken.
- Er moeten verwijderbare ladders staan op een horizontaal oppervlak.
- Ongeacht de gebruikte materialen voor de zwembadconstructie, moeten de toegankelijke oppervlakken regelmatig gecontroleerd worden om verwondingen te vermijden.
- Controleer regelmatig bouten en schroeven, verwijder splinters of andere scherpe randen om verwondingen te vermijden.
- **AANDACHT:** Laat het leeggelopen zwembad niet buiten staan. Het lege zwembad kan vervormd en/of verplaatst worden omwille van de wind.
- Als u een filterpomp hebt, raadpleeg de handleiding van de pomp voor instructies.
- **WAARSCHUWING!** De pomp kan niet worden gebruikt wanneer er zich mensen in het zwembad bevinden!
- Als u een ladder hebt, raadpleeg de handleiding van de ladder voor instructies.
- **WAARSCHUWING!** Het gebruik van een zwembadkit impliceert het naleven van de veiligheidsinstructies beschreven in de gebruiks- en onderhoudshandleiding. Ten einde verdrinking of andere ernstige verwondingen te vermijden, moet u bijzondere aandacht verlenen aan de mogelijkheid van een onverwachte toegang tot het zwembad door kinderen jonger dan 5 jaar door de toegang ertoe te beveiligen en de kinderen tijdens het zwemmen voortdurend onder toezicht te houden van volwassenen.

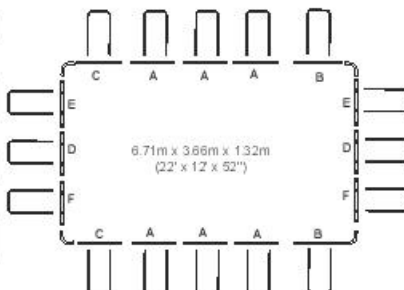
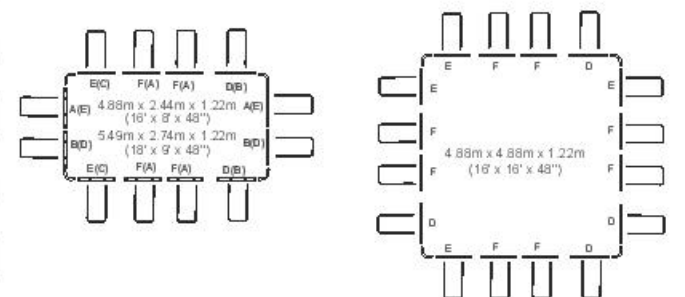
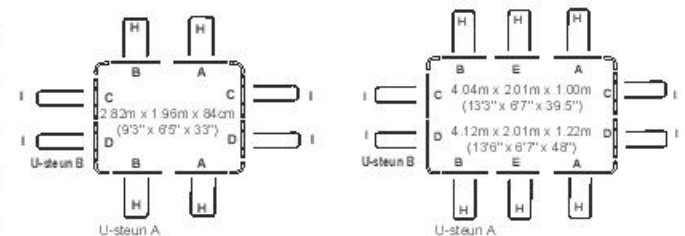
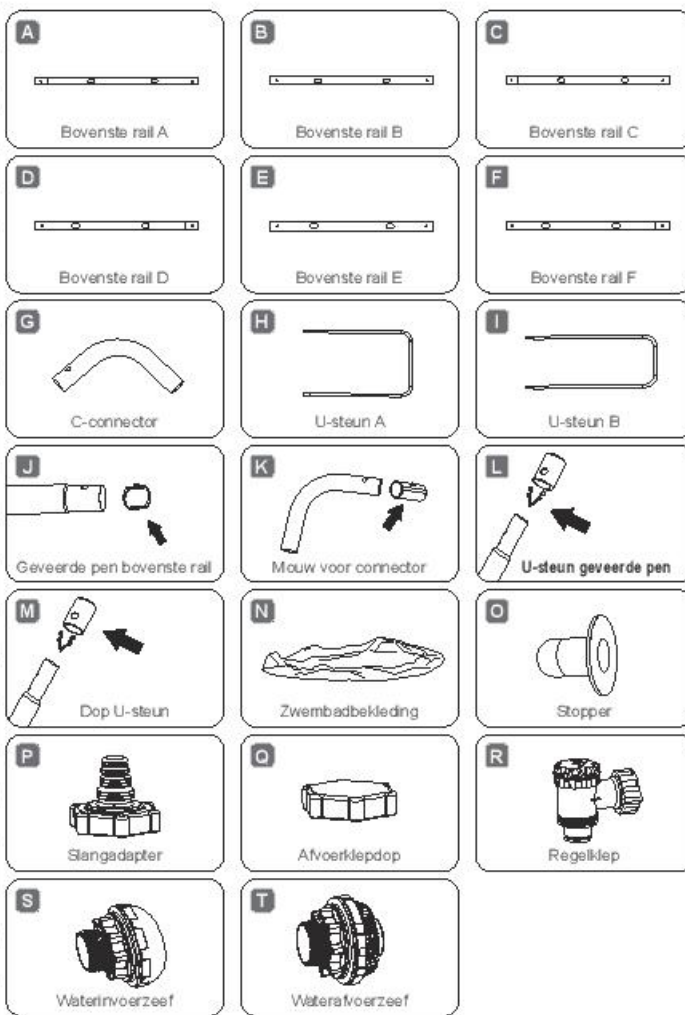
Zorgvuldig lezen en bewaren voor toekomstige referentie

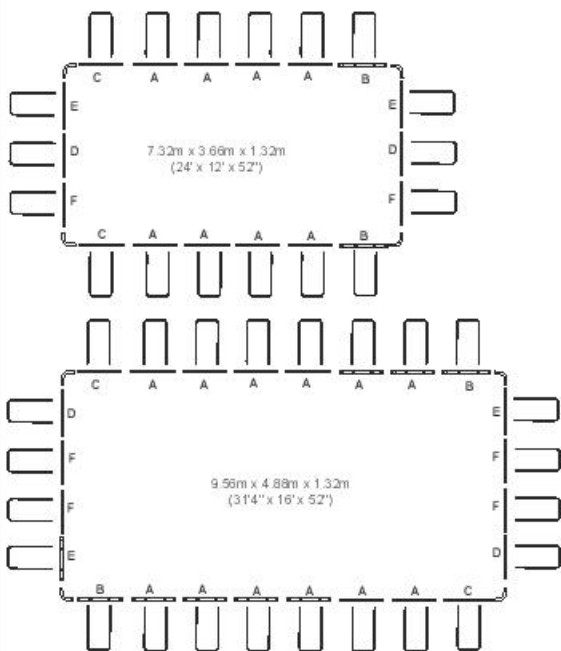
De installatie vergt meestal ongeveer 20-30 minuten met 2-3 mensen exclusief grondwerken en vullen.

Zie hieronder voor de beschrijving van de onderdelen.

Onderdelenlijst:

OPMERKING: Sommige delen werden al op het zwembad geïnstalleerd.





OPMERKING: Tekening enkel voor illustratiedoeleinden. Mogelijk geen weerspiegeling van het werkelijke product. Niet op schaal.

LEES ZORGVULDIG EN BEWAAR VOOR LATERE RAADPLEGINGEN.

KIES DE CORRECTE LOCATIE

OPMERKING: Het zwembad moet op een volledig vlak en effen oppervlak opgesteld worden. Stel het zwembad niet op als de ondergrond heft of oneffen is.

Correcte omstandigheden om het zwembad op te zetten:

- De geselecteerde locatie moet in staat zijn tot het uniform ondersteunen van het gewicht gedurende de hele tijd dat het zwembad geïnstalleerd is. Bovendien moet de locatie plat zijn en vrij van voorwerpen en rommel, zoals bijvoorbeeld steentjes en takjes.
- Wij adviseren het zwembad te plaatsen op een afstand van voorwerpen die kinderen kunnen gebruiken om in het zwembad te klimmen.

OPMERKING: Plaats het zwembad bij een goed afwateringssysteem, zodat het water kan overlopen of het zwembad geleegd kan worden.

Incorrecte omstandigheden om het zwembad op te zetten:

- Op een oneffen ondergrond kan het zwembad omslaan, met persoonlijk letsel en/of schade aan eigendommen tot gevolg. Bovendien vervalt hierdoor de garantie en serviceaanvragen.
- Zand mag niet gebruikt worden om een ondergrond te creëren, indien nodig moet de grond moet worden uitgegraven.
- Directly under overhead power lines or trees. Zorg ervoor dat de locatie geen ondergrondse pijpleidingen, bedradingen of welk soort kabels dan ook bevat.
- Zet het zwembad niet op op opritten, bootdekken, platforms, of op grind of astalt. De gekozen locatie moet stevig genoeg zijn om de druk van het water aan te kunnen, modder, zand, zachte of losse aarde of teer zijn niet geschikt.
- Gras of andere vegetatie onder het zwembad gaat dood en kan sterk veroorzaken en slijm ontwikkelen. Daarom adviseren wij al het gras te verwijderen van de gekozen zwembadlocatie.
- Vermijd gebieden die vatbaar zijn voor agressieve planten- of onkruidsoorten die uit de grond zouden kunnen komen.

OPMERKING: Controleer bij uw plaatselijke gemeente of er regelgevingen zijn voor schuttingen/afscheidings/belichting en veiligheidsvoorschriften en zorg ervoor dat u met geen enkele van deze regelgevingen in overtreding bent.

OPMERKING: Als u een filterpomp heeft, zie dan de handleiding van de pomp voor instructies.

OPMERKING: De ladder moet overeenkomen met de afmeting van het zwembad en mag alleen gebruikt worden om in en uit het zwembad te gaan. Het is verboden om de nuttige belasting van de trap te overschrijden. Controleer regelmatig of de trap goed is gemonteerd.

Installatie

Het rechthoekige frame van het zwembad kan zonder gereedschap worden gemonteerd.

Bestway inflatables kan niet aansprakelijk gesteld worden voor schade aan het zwembad die toe te schrijven is aan een verkeerde hantering of het niet naleven van deze aanwijzingen.

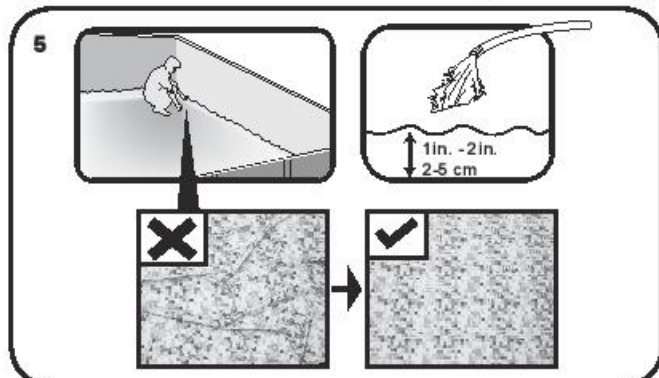
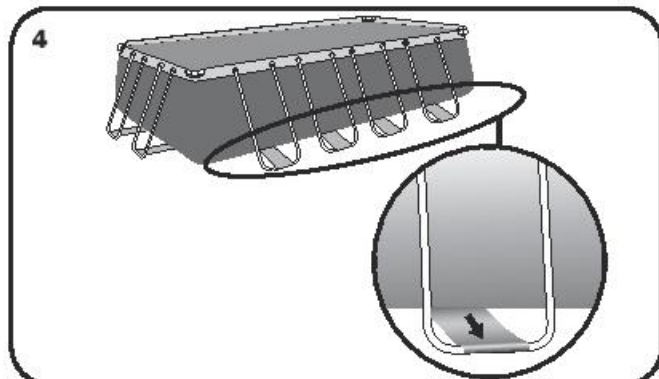
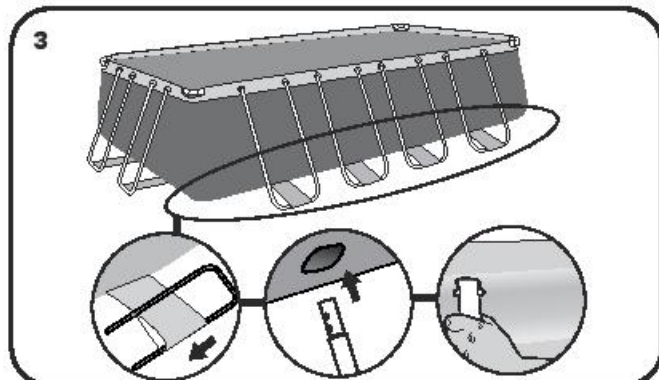
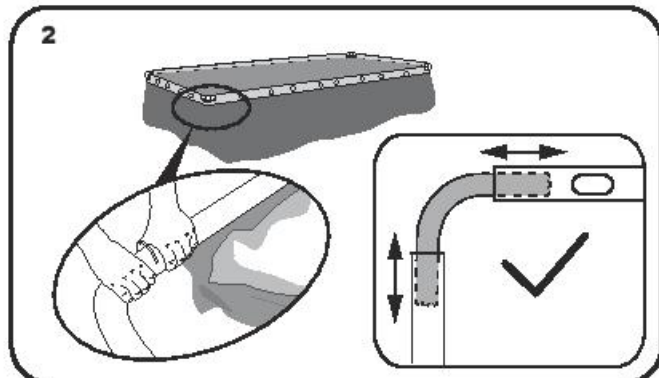
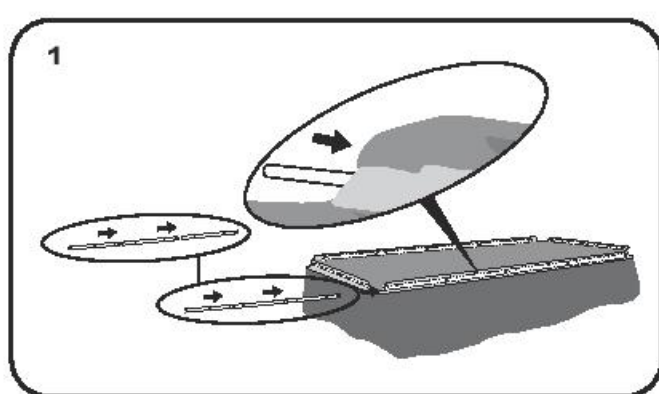
1. Leg alle onderdelen neer en controleer of u de correcte hoeveelheden heeft, zoals opgesomd in de onderdelenlijst. Als u een onderdeel mist, monteer het zwembad dan niet, maar neem contact op met de klantenservice van Bestway.

2. Als het zwembad geleverd werd met een bodemzell, spreid dit dan zorgvuldig open op de gewenste plaats. Zorg ervoor dat het zwembad zich in de buurt van een stopcontact van 220-240volt AC bevindt, voorzien van een beveiliging tegen restspanning.

3. Plaats het zwembad nabij een adequaat afvoersysteem om overstromend water te kunnen afvoeren en zorg ervoor dat invoer A en afvoer B van het zwembad correct gepositioneerd zijn zodat uw filterpomp aangesloten kan worden op een stroombron.

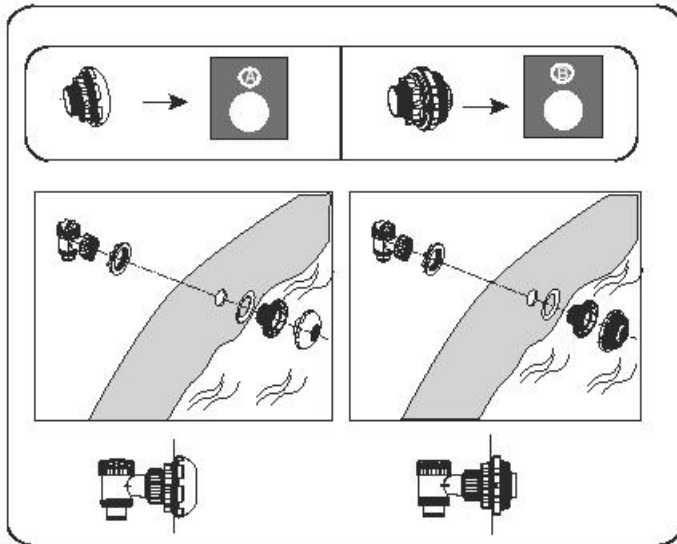
OPMERKING: Gebruik geen verlengsnoeren om uw pomp op de stroom aan te sluiten.

AANDACHT: Trek het zwembad niet over de grond, dit kan het zwembad beschadigen.

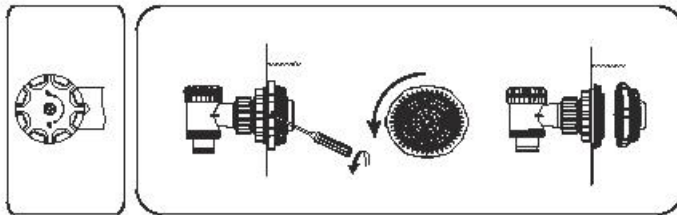


Montage van aansluitingsklep

Voor zwembaden met aansluitingsklep:



OPMERKING: Als u de andere zwembadreinigingskits wilt aansluiten op het zwembad via de aansluitingsklep, gebruik dan een kruiskopschroevendraaier om het vuilscerm te demonteren van de connector.



Het Zwembad Vullen Met Water

OPGELET: Laat het zwembad niet zonder toezicht wanneer het gevuld wordt met water.

1. Vul het zwembad tot 90% van de inhoud. Vul **NIET TE VEEL** omdat het zwembad hierdoor in elkaar kan zakken. Bij hevige regenval kan het nodig zijn om wat water af te voeren, om het correct niveau te herstellen.

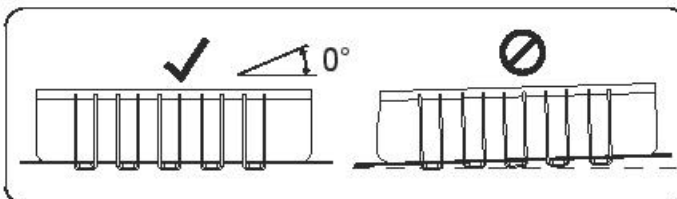
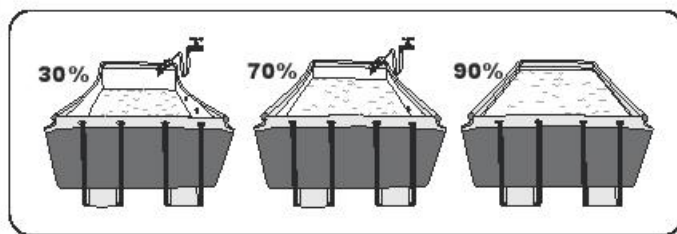
2. Wanneer het zwembad gevuld is, controleer of het water niet hoger staat aan een zijde van het zwembad.

BELANGRIJK: Is het zwembad niet genivelleerd, wordt het water afgevoerd en de ondergrond uitgegraven. Probeer het zwembad nooit te verplaatsen wanneer er water in zit, om persoonlijke letsels of schade aan het zwembad te vermijden.

WAARSCHUWING: Uw zwembad kan heel wat druk bevatten. Indien uw zwembad een bobbel of een ongelijke zijde heeft, dan is het zwembad niet waterpas, ade zijdes kunnen barsten en het water kan plotseling afgevoerd worden waardoor ernstig persoonlijk letsel en/of schade aan eigendommen kan ontstaan.

3. Controleer de aanwezigheid van lekken ter hoogte van de kleppen en naden. Controleer of het grondzeil geen water verliest. Voeg geen chemische producten toe zolang deze controle niet verricht werd.

OPMERKING: In het geval van een lek, repareer uw zwembad met behulp van de bijgeleverde klevende reparatiepatch voor onderwater. Raadpleeg de FAQ's voor meer informatie.



ZWEMBAD ONDERHOUD

WAARSCHUWING: Als u zich niet houdt aan de onderhoudsrichtlijnen hierin, kan uw gezondheid risico's lopen, vooral deze van kinderen. De behandeling van zwembadwater is essentieel voor de veiligheid van de gebruikers. Het niet correct gebruik van chemicaliën kan schade aan eigendommen en persoonlijke verwondingen veroorzaken.

OPMERKING: De pomp wordt gebruikt om het water te circuleren en om de kleine deeltjes te filteren. U moet ook chemicaliën toevoegen om uw water proper en hygiënisch te houden.

1. Het is aanbevolen om het zwembad niet te vullen met draineerwater, boorwater, of draineerwater van een waterput. Deze waters bevatten in het algemeen vervuilde organische stoffen inbegrepen nitraten en fosfaten. Het is aan te raden zwembaden te vullen met water van het openbaar net.
2. Houd uw zwembad proper en gebruik de juiste chemicaliën voor zwembaden. Niet hygiënisch water is een ernstig gezondheidsgevaar. Het is aanbevolen om ontsmettings-, flocculatie, zure of alkali chemicaliën te gebruiken voor het behandelen van uw zwembad.
3. Reinig regelmatig de PVC bekleding met niet-schurende borstels of met een zwembadstofzuiger.
4. Het waterfiltratiesysteem moet heel het seizoen elke dag voldoende lang werken om het volledige watervolume van het zwembad te reinigen.
5. Controleer de filtercassette (of zand in een zandfilter) regelmatig en vervang vuile cassettes (of zand).
6. Controleer regelmatig de schroeven, bouten en alle metalen onderdelen op roest. Vervang indien nodig.
7. Als het regent, controleer dat het waterniveau niet hoger is dan het opgegeven niveau. Als het waterniveau het opgegeven niveau overschrijdt, voer dan water af tot het opgegeven niveau bereikt is.
8. Gebruik de pomp niet wanneer het zwembad in gebruik is.
9. Dek het zwembad af wanneer het niet in gebruik is.
10. Voor de behandeling van zwembadwater is de pH-waarde zeer belangrijk.

AANDACHT: Laat het leeggelopen zwembad niet buiten staan.

De volgende parameters verzekeren een goede waterkwaliteit:

Parameters	Waarden
Waterhelderheid	duidelijk zicht van de bodem van het zwembad
Kleur van het water	er mag geen kleur worden geobserveerd
Turbiditeit in FNU/NTU	max. 1,5 (bij voorkeur minder dan 0,5)
Nitraatconcentratie boven die van vulwater in mg/l	max. 20
Totaal organische koolstof (TOC) in mg/l	max. 4,0
Redoxpotentiaal tegen Ag/AgCl 3,5 m KCl in mV	min. 650
pH-waarde	6,8 tot 7,6
Vrij werkzaam chloor (zonder cyaanuurzuur) in mg/l	0,3 tot 1,5
Vrij werkzaam chloor in combinatie met cyaanuurzuur in mg/l	1,0 tot 3,0
Cyanuurzuur in mg/l	max. 100
Gecombineerd chloor in mg/l	max. 0,5 (bij voorkeur dicht bij 0,0 mg/l)

AANDACHT: Gebruik de pomp niet wanneer het zwembad in gebruik is.

Tijdens het seizoen van gebruik van het zwembad moet het filtersysteem verplicht elke dag in werking worden gesteld, lang genoeg om zeker te zijn van minimaal een complete verversing van het watervolume.

Reparatie

Controleer het zwembad op lekken van kleppen of naden, controleer het grondzeil op duidelijke waterlekken. Voeg geen chemicaliën toe tot dit gecontroleerd werd.

OPMERKING: In het geval van een lek, repareer uw zwembad met behulp van de bijgeleverde klevende reparatiepatch voor onderwater. Raadpleeg de FAQ's voor meer informatie.

Demontage

1. Schroef de afvoerklepdop tegen de klok in los en verwijder.
2. Sluit de adapter aan op de slang. Plaats het andere uiteinde van de slang in een gebied waar het water afgevoerd zal worden. (Controleer de plaatselijke regelgeving voor afvoervorschriften).
3. Schroef de bedieningsring van de slangadapter met de klok mee op de afvoerklep. De afvoerklep zal open gaan en water zal automatisch afgevoerd worden.
AANDACHT: De waterstroom kan geregeld worden met de bedieningsring.
4. Wanneer de afvoer volbold is, schroef de bedieningsring los om de klep te sluiten.
5. Koppel de slang los.
6. Schroef de dop terug op de afvoerklep.
7. Laat het zwembad aan de lucht drogen.
AANDACHT: Laat het leeggelopen zwembad niet buiten staan.

Opbergen en klaarmaken voor de winter

1. Verwijder alle accessoires en reserveonderdelen van het zwembad en berg ze proper en droog op.
2. Wanneer het zwembad volledig droog is, besprenkel met talkpoeder om te vermijden dat het zwembad samenkleeft en vouw het zwembad dan zorgvuldig op. Als het zwembad niet volledig droog is, kan er schimmel ontstaan die de zwembadbekleding kan beschadigen.
3. Berg de bekleding en accessoires in een droge plaats op met een matige temperatuur tussen 5°C / 41°F and 38°C / 100°F.
4. Tijdens het regenseizoen moeten het zwembad en de accessoires ook volgens bovenstaand de instructies worden opgeborgen.
5. Het zwembad op incorrecte wijze laten leeggelopen kan ernstig persoonlijk letsel en/of schade aan persoonlijke eigendom veroorzaken.
6. We bevelen ten eerste aan het zwembad te demonteren buiten het seizoen (tijdens de wintermaanden). Berg op in een droge plaats en buiten het bereik van kinderen.

Beperkte BESTWAY® Fabrieksgarantie

Het product dat u hebt aangekocht heeft een beperkte garantie. Bestway® steunt onze kwaliteitsgarantie en verzekert, via een vervangingsgarantie, dat uw product vrij zal zijn van fabricagefouten.

Het volgende voorschrift is enkel geldig binnen de Europese lidstaten. De wettelijke regelgeving van Richtlijn 1999/44/EC zal niet beïnvloed worden door de beperkte garantie van Bestway.

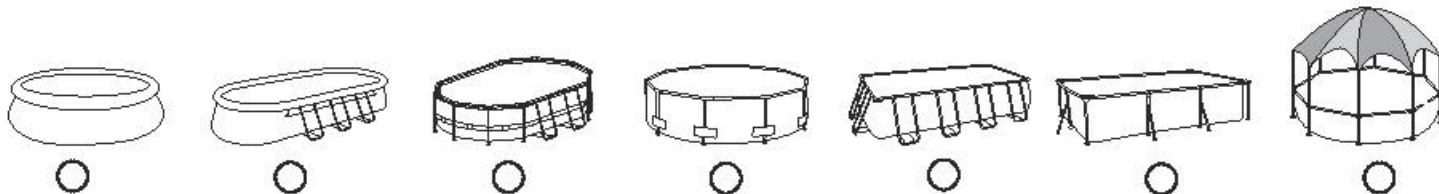
Om een garantieclaim in te dienen, moet dit formulier ingevuld worden en samen met een kopie van uw ontvangstbewijs/aankoopbewijs bezorgd worden aan uw lokale Bestway Dienst Naverkoop. Vooraleer enige claims geaccepteerd kunnen worden, zal uw Bestway Dienst Naverkoop u mogelijk vragen een stuk van het defecte onderdeel naar het centrum te zenden (bijv. een uitgesneden stuk van het productiebatchnummer / afvoerklep). Neem contact op met uw lokale Bestway Dienst Naverkoop vooraleer enige documenten te zenden. Zij zullen volledige instructies geven betreffende wat nodig is voor uw claim.

Bestway® is niet verantwoordelijk voor economische verliezen omwille van water- of chemische kosten. Bestway® zal geen producten vervangen die geacht worden beschadigd te zijn omwille van nalatigheid of die gebruikt werden buiten de richtlijnen in de gebruikershandleiding.

De garantie van Bestway dekt fabricagefouten ontdekt bij het uitpakken van het product of tijdens het gebruik binnen de limieten van een gebruik en met respect voor waarschuwingen en instructies vermeld in de gebruikershandleiding. Deze garantie is enkel van toepassing op producten die niet gewijzigd mogen zijn door enige derde. Het product moet opgeborgen en gehanteerd worden overeenkomstig de technische aanbevelingen.

De beperkte garantie is geldig voor de periode hierboven aangegeven. De startdatum van de garantie is de datum van de verkoop weergegeven op het originele ontvangstbewijs/aankoopfactuur.

Kies het type van uw zwembad:



Datum van aankoop: _____ Klantencodenummer: _____

AAN: Bestway® Service Department Datum: _____

FAX/E-MAIL/TEL: Raadpleeg uw land volgens de informatie op de achteromslag of op onze website: www.bestwaycorp.com

Geef uw volledig adres op. **Opmerking:** Onvolledige adressen resulteren in vertraagde verzendingen

Bestway behoudt zich het recht voor om onafgeleverde pakketten terug te leveren wanneer de ontvanger in fout is.

VEREISTE INFORMATIE - NOTEER HET VERZENDADRES

Name: _____ Adres: _____

Postcode: _____ Detailhandelaar: _____

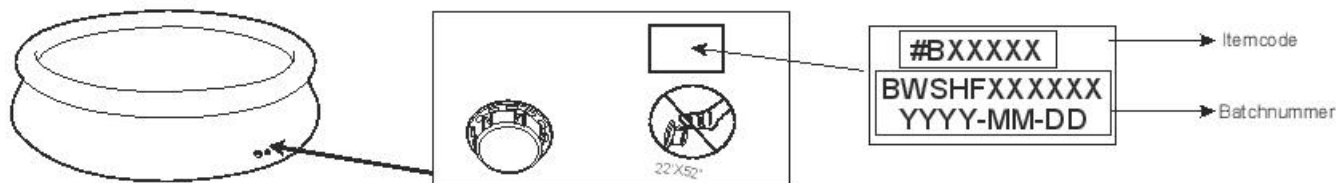
Land: _____ Stad: _____

Mobiel: _____ Telefoon: _____

Fax: _____ E-mail: _____

Noteer het batchnummer en de itemcode die zich bevinden nabij de afvoerklep

Batchnummer: _____ Itemcode: _____



Probleemomschrijving

- Item is gescheurd / Lekt Fout gelast Kapotte bovenste ring Geïntegreerde afvoerklep
- Andere (omschrijven aub) Ontbrekend onderdeel (Gebruik de code voor het ontbrekend onderdeel. Deze staat in de gebruikershandleiding)

BELANGRIJK: ALLEEN HET BESCHADIGDE ONDERDEEL ZAL VERVANGEN WORDEN, NIET DE VOLLEDIGE SET.

Bestway behoudt zich het recht voor om fotografische bewijzen van defecte onderdelen te vragen of om het item te verzenden voor extra testen. Om u het beste te kunnen helpen vragen we u om complete informatie te bezorgen.

VOOR FAQ, HANDLEIDINGEN, VIDEO'S OF RESERVEONDERDELEN, GA NAAR ONZE WEBSITE: www.bestwaycorp.com
VIDEO'S ZIJN OOK BESCHIKBAAR OP ONS BESTWAY CHANNEL OP YOUTUBE: <http://youtube.com/user/BestwayService>.

PISCINES RECTANGULAIRES POWER STEEL™ NOTICE D'UTILISATION



Visitez la chaîne YouTube de Bestway

ATTENTION

Avant d'installer et d'utiliser la piscine, veuillez lire attentivement, assimiler et respecter toutes les informations contenues dans cette notice d'utilisation. Ces avertissements, instructions et consignes de sécurité portent sur certains des risques usuels associés aux loisirs aquatiques, mais ils ne peuvent pas couvrir la totalité des risques et dangers dans tous les cas. Faites toujours preuve de prudence, de discernement et de bon sens lors des activités aquatiques. Conservez ces informations afin de pouvoir vous y référer ultérieurement.

Sécurité des non-nageurs

- Une surveillance attentive, active et continue par un adulte compétent des enfants qui ne savent pas bien nager et des non-nageurs est requise en permanence (en gardant à l'esprit que le risque de noyade est le plus élevé pour les enfants de moins de cinq ans).
- Désignez un adulte compétent pour surveiller le bassin à chaque fois qu'il est utilisé.
- Il convient que les enfants qui ne savent pas bien nager ou les non-nageurs portent des équipements de protection individuelle lorsqu'ils utilisent la piscine.
- Lorsque le bassin n'est pas utilisé ou est sans surveillance, retirez tous les jouets de la piscine et ses abords afin de ne pas attirer les enfants vers le bassin.

Dispositifs de sécurité

- Pour éviter toute noyade d'enfant, il est recommandé de sécuriser l'accès au bassin par un dispositif de protection. Pour éviter que les enfants montent par la vanne d'entrée et de sortie, il est recommandé d'installer une barrière (et de sécuriser toutes les portes et fenêtres, le cas échéant) afin d'empêcher tout accès non autorisé à la piscine.
- Les barrières, couvertures, alarmes de piscines ou dispositifs de sécurité similaires sont des aides utiles, mais ils ne remplacent pas la surveillance continue par un adulte compétent.

Équipements de sécurité

- Il est recommandé de garder du matériel de sauvetage (une bouée, par exemple) près du bassin.
- Gardez un téléphone en parfait état de marche et une liste de numéros d'urgence à proximité du bassin.

Sécurité d'emploi de la piscine

- Incitez tous les utilisateurs, en particulier les enfants, à apprendre à nager.
- Apprenez les gestes qui sauvent (réanimation cardiopulmonaire) et remettez régulièrement à jour vos connaissances. Ces gestes peuvent sauver une vie en cas d'urgence.
- Expliquez aux utilisateurs de la piscine, enfants inclus, la procédure à suivre en cas d'urgence.
- Ne plongez jamais dans un plan d'eau peu profond, sous peine de blessures graves ou mortelles.
- N'utilisez pas la piscine sous l'emprise d'alcool ou de médicaments susceptibles de réduire votre capacité à utiliser la piscine en toute sécurité.
- Si la piscine est recouverte d'une couverture, retirez-la entièrement de la surface de l'eau avant d'entrer dans le bassin.
- Traitez l'eau de votre piscine et installez de bonnes pratiques d'hygiène afin de protéger les utilisateurs des maladies liées à l'eau. Consultez les consignes de traitement de l'eau données dans la notice d'utilisation.
- Stockez les produits chimiques (produits de traitement de l'eau, de nettoyage ou de désinfection, par exemple) hors de portée des enfants.
- Utilisez les pictogrammes décrits ci-dessous. Les pictogrammes doivent être affichés dans une position visible à moins de 2 000 m de la piscine.



- Surveillez les enfants lorsqu'ils se trouvent dans l'eau. Interdiction de plonger.
- Placez les échelles amovibles sur une surface horizontale.
- Quels que soient les matériaux utilisés pour la construction de la piscine, les surfaces accessibles doivent être régulièrement contrôlées afin d'éviter les blessures.
- Vérifiez régulièrement les boulons et les vis ; éliminez les écailles ou toute arête vive pour éviter les blessures.
- **ATTENTION:** ne laissez pas la piscine vide à l'extérieur. La piscine vide est susceptible de se déformer et/ou d'être emportée par le vent.
- Si vous avez une pompe de filtration, reportez-vous à la notice d'instructions de la pompe. **ATTENTION!** Il est interdit d'utiliser la pompe quand des gens se trouvent à l'intérieur de la piscine !
- Si vous avez une échelle, reportez-vous à la notice d'instructions de l'échelle. **ATTENTION!** L'utilisation d'une piscine implique le respect des consignes de sécurité contenues dans la notice d'utilisation et d'entretien. Afin d'éviter la noyade et toute autre blessure grave, faites particulièrement attention à la possibilité pour les enfants de moins de 5 ans d'accéder à l'improviste à la piscine en sécurisant son accès, et veillez à ce qu'un adulte les surveille constamment pendant la baignade.

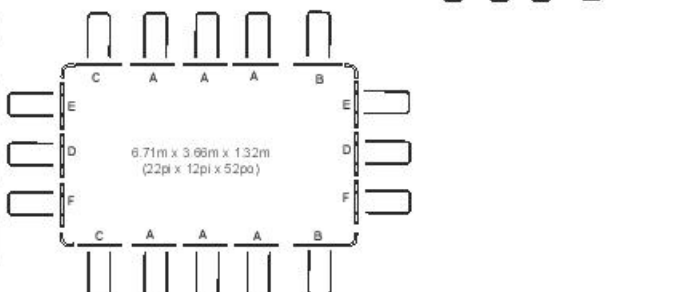
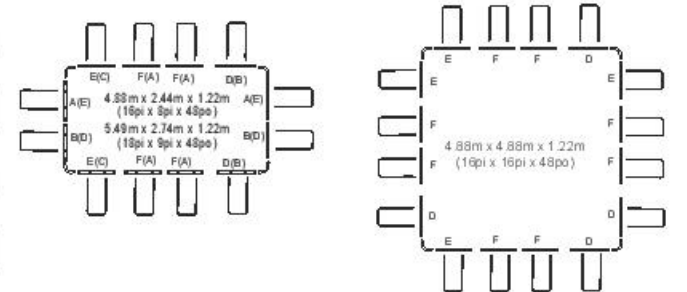
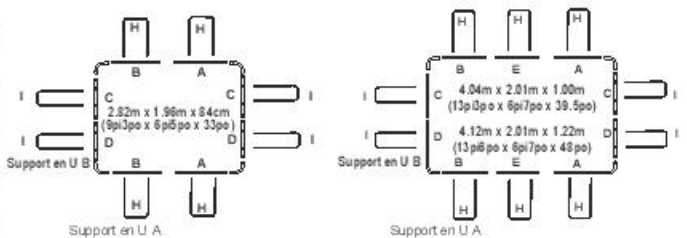
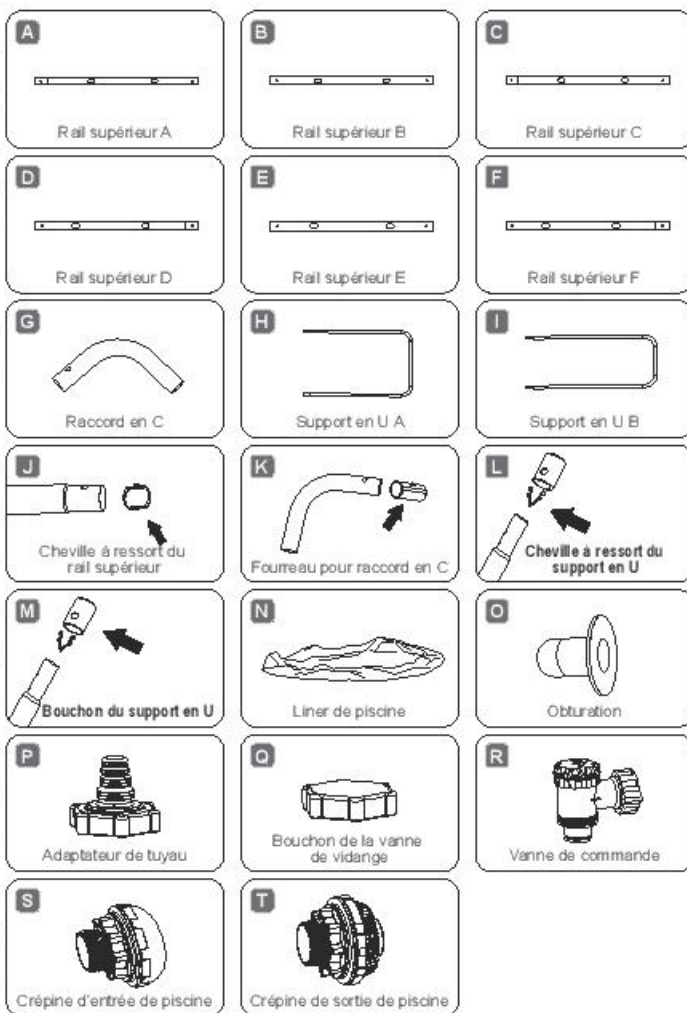
Veuillez lire attentivement ce document et conservez-le pour pouvoir le consulter en cas de besoin.

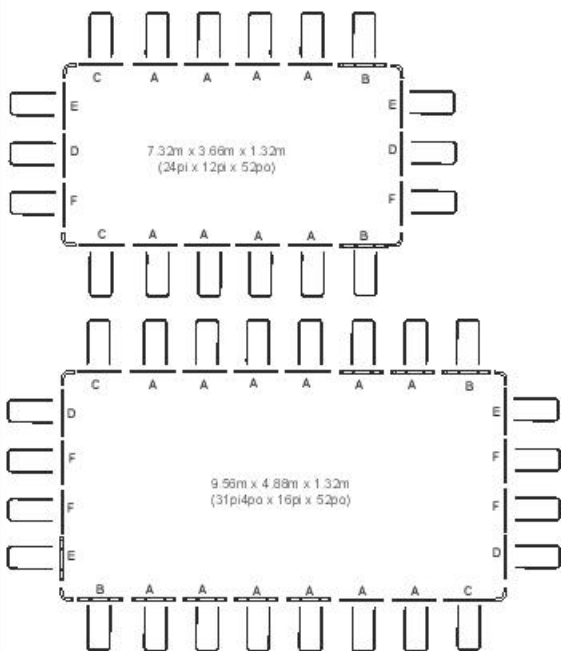
L'installation prend habituellement 20-30 minutes environ avec 2-3 personnes, à l'exclusion des ouvrages de terre et du remplissage.

Voir ci-dessous les descriptions des pièces.

Liste de pièces:

REMARQUE : Certaines pièces ont déjà été installées sur la piscine.





REMARQUE: Les dessins ne sont qu'à titre d'illustration. Il peut arriver qu'ils ne reflètent pas le produit réel. Pas à l'échelle.

A LIRE ATTENTIVEMENT ET À CONSERVER POUR CONSULTATION ULTÉRIEURE.

CHOISIR L'EMPLACEMENT CORRECT

REMARQUE: La piscine doit être montée sur une surface complètement plate et nivelée. N'installez pas SVP la piscine si la surface est inclinée ou en pente.

Condition correcte pour installer la piscine:

- L'emplacement choisi doit pouvoir supporter uniformément le poids pendant toute la durée d'installation de la piscine, en outre, l'emplacement doit être plat et doit être dénué d'objets et débris, y compris des cailloux et des brindilles.
- Nous recommandons de positionner la piscine loin d'objets que les enfants pourraient utiliser pour grimper dans la piscine.

REMARQUE: Placer la piscine près d'un système d'évacuation adéquat pour traiter tout surplus ou pour vidanger la piscine.

Conditions incorrectes pour installer la piscine:

- Sur un sol irrégulier, la piscine pourrait s'affaisser provoquant de graves lésions personnelles et/ou des dommages aux biens personnels et cela annulerait la garantie et empêcherait toute réclamation.
- Ne pas utiliser de sable pour créer une base de niveau; le sol doit être creusé si nécessaire.
- Directement sous des lignes électriques aériennes ou des arbres. Assurez-vous que l'emplacement ne contient pas de tuyaux souterrains, de lignes ou câbles de quelque sorte que ce soit.
- Ne pas installer la piscine sur des routes, des ponts, des plate-formes, des surfaces en graviers ou en asphalte. L'emplacement choisi doit être suffisamment ferme pour résister à la pression de l'eau; boue, sable, sol mou ou goudron ne sont pas adaptés.
- L'herbe ou toute autre végétation sous la piscine mourra et est susceptible de provoquer des odeurs et le développement de boue, nous vous recommandons donc d'enlever toute l'herbe de l'emplacement choisi pour la piscine.
- Éviter les zones où des plantes agressives et des espèces de mauvaises herbes pouvant pousser à travers le revêtement posé au sol sont susceptibles de se développer.

REMARQUE: Vérifier avec votre conseil municipal les règlements liés aux barrières, enceintes, éclairage et dispositifs de sécurité et assurez-vous que vous conformez à toutes les lois.

REMARQUE: Si vous disposez d'une pompe filtrante, consultez le manuel de la pompe pour connaître les instructions.

REMARQUE: L'échelle doit être adaptée à la taille de la piscine et doit être utilisée uniquement pour entrer et sortir de la piscine. Il est interdit de dépasser la charge permise sur l'échelle. Vérifiez régulièrement si l'échelle est convenablement assemblée.

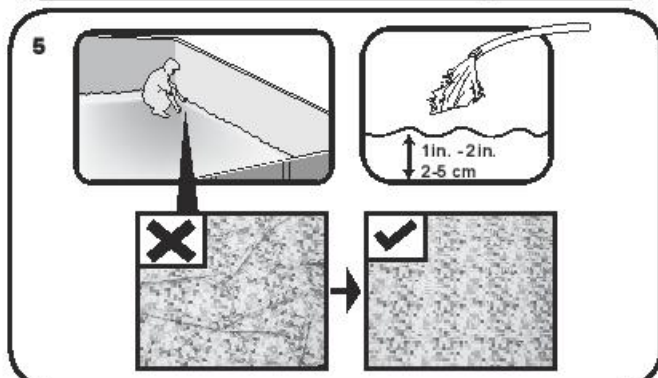
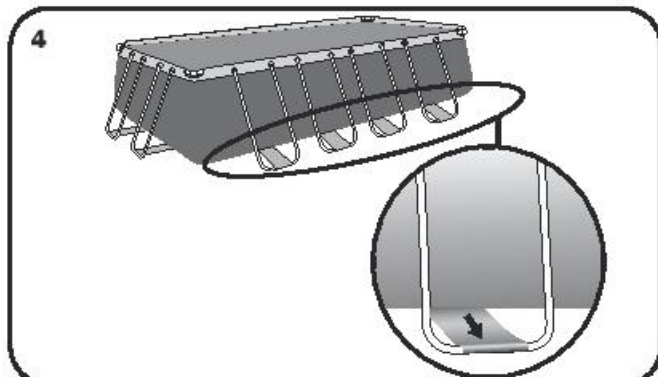
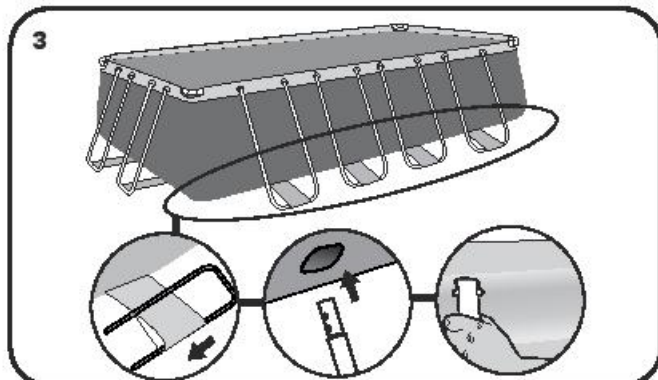
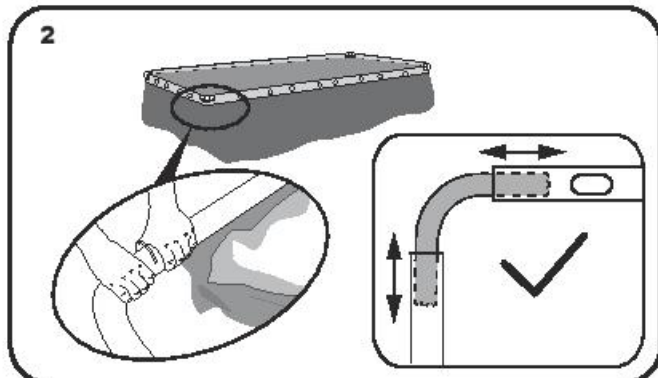
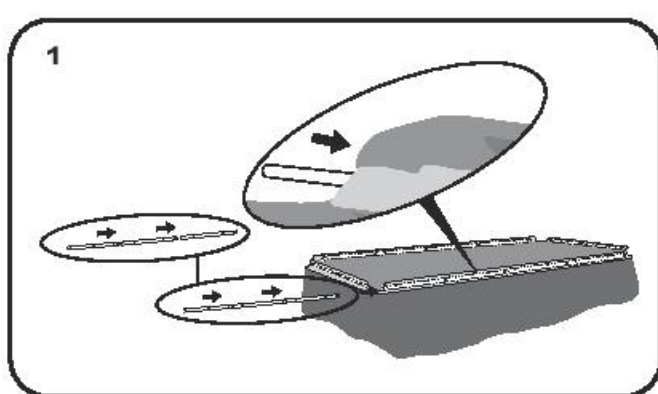
Installation

Le montage de la piscine à cadre rectangulaire peut se faire sans outil.

Bestway Intatables n'est pas responsable pour les dommages causés à la piscine par une mauvaise manipulation ou par le non respect de ces instructions.

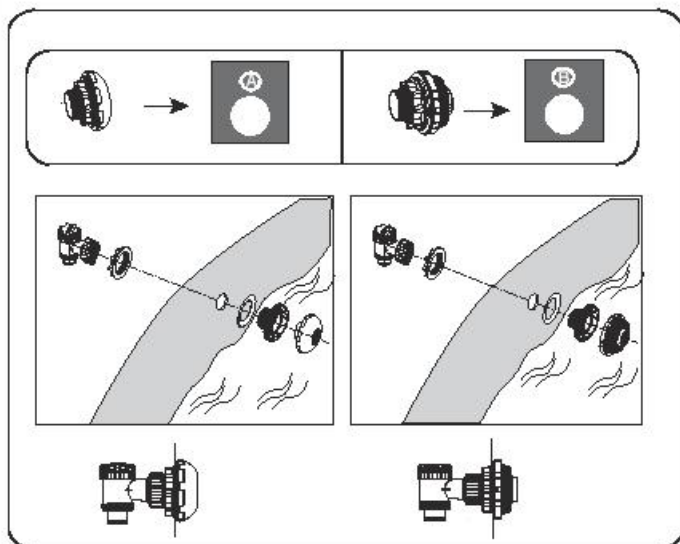
1. Disposez toutes les pièces et vérifiez que vous avez les quantités correctes comme énuméré dans la liste des pièces. Si des pièces manquent, n'assemblez pas la piscine, contactez le service clients Bestway.
2. Déployez la piscine et contrôlez qu'elle soit tournée dans le bon sens, laissez-la au soleil pendant 1 heure ou plus pour qu'elle soit plus flexible pendant le montage.
3. Placez la piscine près d'un système de vidange approprié pour gérer le débordement de l'eau et vérifiez que l'entrée A et la sortie B de la piscine sont correctement positionnées pour permettre à votre pompe de filtration d'être branchée sur une source de courant. **Remarque:** N'utilisez pas de rallonge pour alimenter votre pompe.

ATTENTION: Ne traînez pas la piscine sur le sol car cela peut l'abîmer.

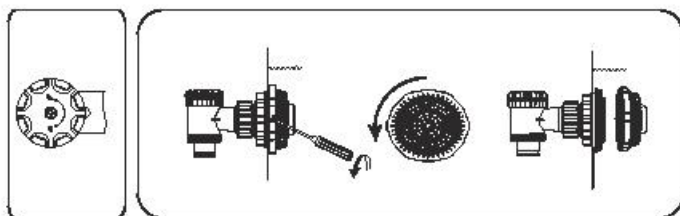


Montage de la vanne de communication

Pour les piscines avec vanne de communication.



REMARQUE: si vous souhaitez raccorder d'autres kits de nettoyage de piscine à la piscine au moyen de la vanne de communication, utilisez un tournevis cruciforme pour démonter la grille du connecteur.



Remplir D'eau la Piscine

ATTENTION: Ne laissez pas la piscine sans surveillance quand vous la remplissez d'eau.

1. Remplissez la piscine à 90%. **NE REMPLISSEZ PAS TROP** car cela pourrait provoquer un effondrement de la piscine. En cas de fortes pluies, vous devez vider suffisamment la piscine pour que le niveau reste correct.

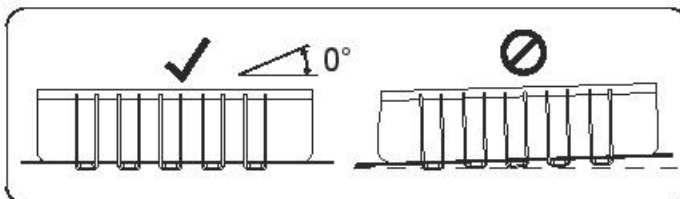
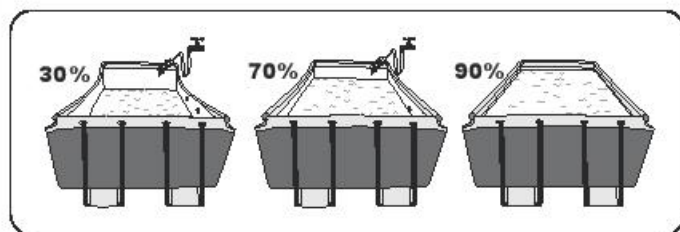
2. Lorsque le remplissage de la piscine est achevé, contrôlez que l'eau ne se rassemble pas d'un côté pour s'assurer que la piscine est bien nivelée.

IMPORTANT: Si la piscine n'est pas nivelée, enlevez l'eau et nivelez de nouveau le sol en creusant. N'essayez jamais de déplacer la piscine avec de l'eau à l'intérieur, cela pourrait provoquer de graves blessures ou endommager la piscine.

ATTENTION: Votre piscine peut contenir une forte pression. Si votre piscine est bombée ou présente un côté irrégulier cela veut dire qu'elle n'est pas à niveau, les côtés pourraient exploser et l'eau pourrait se vider à l'improviste en provoquant des blessures graves et/ou des dégâts matériels.

3. Contrôlez s'il y a des fuites au niveau des soupapes ou des coutures, contrôlez le tapis de sol pour vérifier s'il y a d'évidentes pertes d'eau. N'ajoutez pas de produits chimiques avant ce contrôle.

REMARQUE: En cas de fuite, réparez votre piscine au moyen de la rustine résistante fournie. Reportez-vous aux FAQ pour de plus amples informations.



ENTRETIEN DE LA PISCINE

Attention: Si vous ne respectez pas ces consignes d'entretien, vous mettez en danger votre santé, et en particulier celle des enfants. Il est fondamental de traiter l'eau de la piscine pour la sécurité des utilisateurs. L'utilisation incorrecte de produits chimiques entraînera des dégâts matériels et des blessures.

REMARQUE: La pompe sert à faire circuler l'eau et à filtrer les petites particules. Pour que l'eau de votre piscine reste propre et saine, vous devez également ajouter des produits chimiques.

1. Il est recommandé de ne pas remplir la piscine avec de l'eau de retenue, de l'eau de forage ou de l'eau de puits car ces eaux contiennent habituellement des substances organiques polluées comprenant des nitrates et des phosphates. Il est conseillé de remplir les piscines avec de l'eau du réseau public.
2. Maintenez la piscine toujours propre et utilisez les produits chimiques corrects. L'eau insalubre est un danger sérieux pour la santé. Il est recommandé d'utiliser un désinfectant, un flocculant, un acide ou des produits chimiques alcalins pour traiter votre piscine.
3. Nettoyez régulièrement la bâche en PVC avec des brosses non abrasives ou un aspirateur de piscine.
4. Durant la saison, il faut faire fonctionner le système de filtration de l'eau pendant suffisamment longtemps chaque jour pour nettoyer tout le volume de l'eau dans la piscine.
5. Contrôlez régulièrement la cartouche du filtre (ou le sable dans un filtre à sable) et remplacez les cartouches sales (ou le sable).
6. Vérifiez régulièrement que les vis, les boulons et toutes les pièces métalliques ne soient pas rouillés. Remplacez-les si nécessaire.
7. S'il pleut, vérifiez que le niveau de l'eau ne dépasse pas le niveau indiqué. Si l'eau dépasse les niveaux indiqués, vidangez la piscine jusqu'au niveau indiqué.
8. Ne faites pas fonctionner la pompe quand vous utilisez la piscine.
9. Couvrez la piscine quand vous ne l'utilisez pas.
10. La valeur du pH est très importante pour le traitement de l'eau de la piscine.

ATTENTION: ne laissez pas la piscine vide à l'extérieur.

Les paramètres suivants garantissent une bonne qualité de l'eau.

Paramètres	Valeurs
Clarté de l'eau	le fond de la piscine est clairement visible
Couleur de l'eau	on ne doit remarquer aucune couleur de l'eau
Turbidité en FNU/NTU	1,5 maxi (de préférence inférieure à 0,5)
Concentration de nitrates supérieure à celle de l'eau de remplissage en mg/l	20 maxi
Carbone organique total (COT) en mg/l	4,0 maxi
Potentiel d'oxydo-réduction par rapport à Ag/AgCl 3,5 m KCl en mV	650 mini
Valeur du pH	de 6,8 à 7,6
Chlore actif libre (sans acide cyanurique) en mg/l	de 0,3 à 1,5
Chlore libre utilisé combiné avec de l'acide cyanurique en mg/l	de 1,0 à 3,0
Acide cyanurique en mg/l	100 maxi
Chlore combiné en mg/l	0,5 maxi (de préférence proche de 0,0 mg/l)

ATTENTION: ne faites pas fonctionner la pompe quand vous utilisez la piscine. Durant la saison d'utilisation de la piscine, le système de filtration doit être nécessairement mis en service tous les jours pendant suffisamment longtemps pour garantir au moins un renouvellement complet du volume de l'eau.

Réparation

Vérifiez que la piscine ne présente aucune fuite au niveau des vannes ou des coutures, contrôlez que le tapis de sol ne présente aucune perte d'eau visible. N'ajoutez aucun produit chimique tant que cela n'a pas été fait.

REMARQUE: En cas de fuite, réparez votre piscine au moyen de la rustine résistante fournie. Reportez-vous aux FAQ pour de plus amples informations.

Démontage

1. Dévissez le capuchon de la vanne de vidange dans le sens contraire des aiguilles d'une montre et enlevez-le.
2. Raccordez l'adaptateur sur le tuyau et placez l'autre extrémité du tuyau dans la zone où vous souhaitez vidanger votre piscine (consultez les règlements locaux pour connaître les lois en matière de vidange).
3. Vissez la rondelle de contrôle de l'adaptateur du tuyau sur la vanne de vidange dans le sens des aiguilles d'une montre. La vanne de vidange sera ouverte et l'eau commencera à se vider automatiquement.

ATTENTION: Le débit de l'eau peut être contrôlé avec la rondelle de contrôle.

4. Quand la vidange est terminée, dévissez la rondelle de contrôle pour fermer la vanne.

5. Débranchez le tuyau.

6. Revissez le capuchon sur la vanne de vidange.

7. Séchez la piscine.

ATTENTION: Ne laissez pas la piscine vide à l'extérieur.

Rangement et remisage

1. Enlevez tous les accessoires et toutes les pièces détachées de la piscine, puis rangez-les après les avoir lavés et séchés.
2. Une fois que la piscine est entièrement sèche, saupoudrez de talc afin d'éviter que la piscine colle et pliez-la soigneusement. Si la piscine n'est pas entièrement sèche, de la moisissure peut se former et endommager la bâche de la piscine.
3. Rangez la bâche et les accessoires au sec à une température modérée comprise entre 5 °C / 41 °F et 38 °C / 100 °F.
4. **Pendant la saison des pluies, il faut ranger la piscine et ses accessoires comme cela est indiqué plus haut.**
5. Une vidange incorrecte de la piscine peut provoquer des blessures graves et/ou des dégâts matériels.
6. Nous conseillons vivement de démonter la piscine hors saison (pendant l'hiver). Rangez-la au sec, hors de portée des enfants.

Garantie limitée du fabricant BESTWAY®

Le produit que vous avez acheté est accompagné d'une garantie limitée. Bestway® défend sa garantie de qualité et assure, grâce à une garantie de remplacement, que votre produit ne présentera pas de vices de fabrication.

La disposition suivante n'est valable que dans les pays européens : la Directive 1999/44/CE ne sera pas affectée par cette garantie limitée BESTWAY.

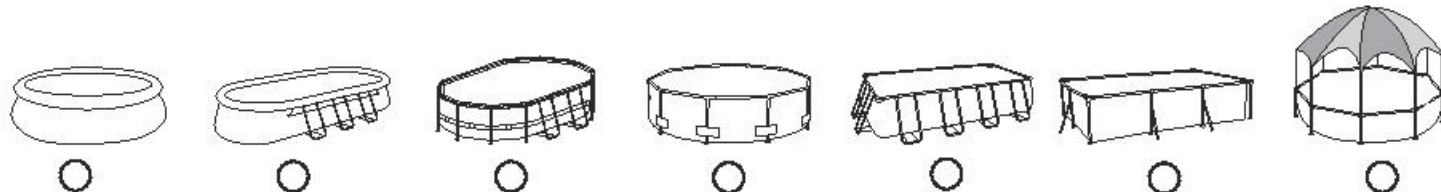
Pour présenter une réclamation dans le cadre de la garantie, il faut remplir ce formulaire qui doit être envoyé au service après-vente Bestway le plus proche, accompagné d'une copie de votre attestation d'achat. Avant d'accepter toute réclamation, le service après-vente Bestway peut vous demander de lui envoyer une partie de la pièce défectueuse (par ex : une découpe du numéro du lot de production / de la vanne de vidange). Veuillez contacter le service après-vente Bestway le plus proche avant d'envoyer tout document. Il vous communiquera toutes les instructions pour présenter votre réclamation.

Bestway® ne peut être tenue pour responsable du préjudice économique dérivant des coûts des produits chimiques ou de l'eau. Bestway® ne remplacera aucun produit jugé comme ayant été endommagé par négligence ou comme ayant été utilisé sans respecter les consignes de la notice d'utilisation.

La garantie Bestway couvre les vices de fabrication découverts lors du déballage du produit ou pendant son utilisation, dans les limites d'utilisation et dans le respect des mises en garde et des instructions fournies dans la notice d'utilisation. Cette garantie ne s'applique qu'aux produits n'ayant pas été modifiés par des tiers. Le produit doit être stocké et manipulé dans le respect des recommandations techniques.

La garantie limitée est valable pour la période susmentionnée. La garantie s'applique à partir de la date de la vente indiquée sur le reçu/la facture d'origine.

Veillez choisir le type de votre piscine :



Date d'achat : _____ N° de code client : _____

À L'ATTENTION DE : Bestway® Service Department Date : _____

FAX/E-MAIL/TÉL : Veuillez vous référer à votre pays en ce qui concerne les informations que vous trouverez au dos de la couverture ou sur notre site web : www.bestwaycorp.com
Veillez fournir votre adresse dans son intégralité. **Remarque** : les adresses incomplètes porteront à des retards d'expédition.
Bestway se réserve le droit de facturer le retour des colis non livrés quand la faute est imputable au destinataire.

INFORMATIONS REQUISES - VEUILLEZ ÉCRIRE L'ADRESSE DE LIVRAISON

Nom : _____ Adresse : _____

Code postal : _____ Distributeur : _____

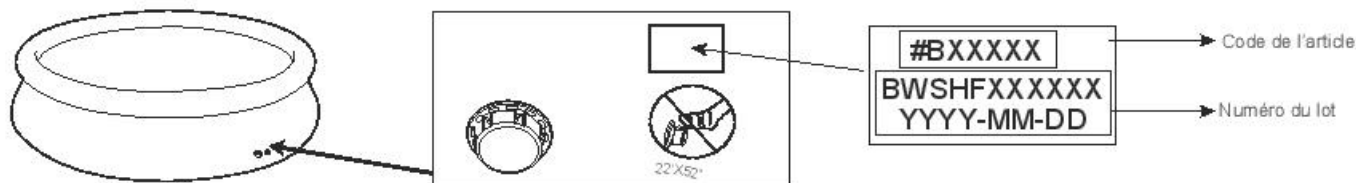
Pays : _____ Ville : _____

Portable : _____ Téléphone : _____

Fax : _____ E-mail : _____

Veillez écrire le numéro du lot et le code de l'article situé à proximité de la vanne de vidange

Numéro du lot : _____ Code de l'article : _____



Description du problème

- L'article est déchiré / Fuite Soudure défectueuse Boudin du haut défectueux Vanne de vidange défectueuse
- Autre (veuillez décrire) Partie manquante (veuillez utiliser le code pour la partie manquante. Vous pouvez le trouver sur la notice d'utilisation)

IMPORTANT: SEULE LA PIÈCE ENDOMMAGÉE SERA REMPLACÉE, PAS L'ENSEMBLE COMPLET.

Bestway se réserve le droit de demander des photographies attestant l'état défectueux des pièces ou de demander l'envoi de l'article pour des tests supplémentaires. Pour mieux vous aider, nous demandons à ce que toutes les informations que vous fournissez soient complètes.

POUR LES FAQ, MANUELS, VIDÉOS OU PIÈCES DÉTACHÉES, VEUILLEZ VISITER NOTRE SITE WEB : www.bestwaycorp.com
LES VIDÉOS SONT ÉGALEMENT DISPONIBLES SUR NOTRE CHAÎNE BESTWAY SUR YOUTUBE : <http://youtube.com/user/BestwayService>.