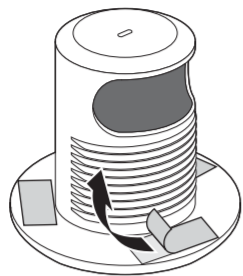
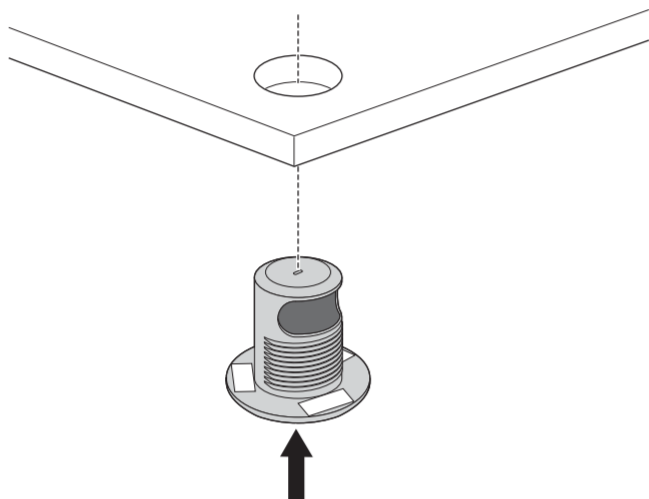


Steps to install / Etapes d'installation / Installationsschritte /
 Stappen voor installatie / Operazioni per l'installazione /
 Pasos de instalación / Telepítési lépések / Instalační kroky /
 Alternatywna opcja podwójnej blokady / Инструкции по установке /
 Etapas a seguir para instalar

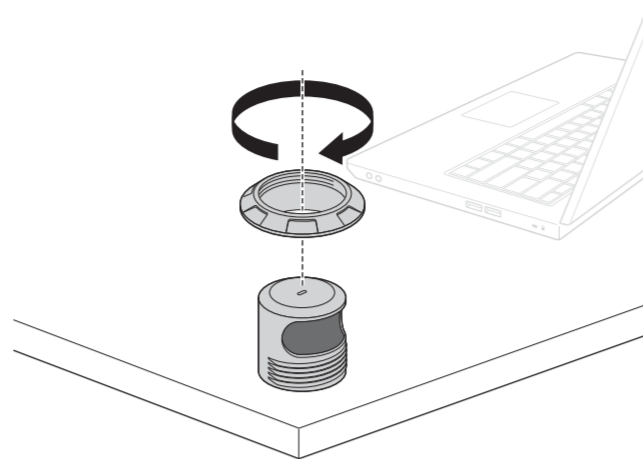
1



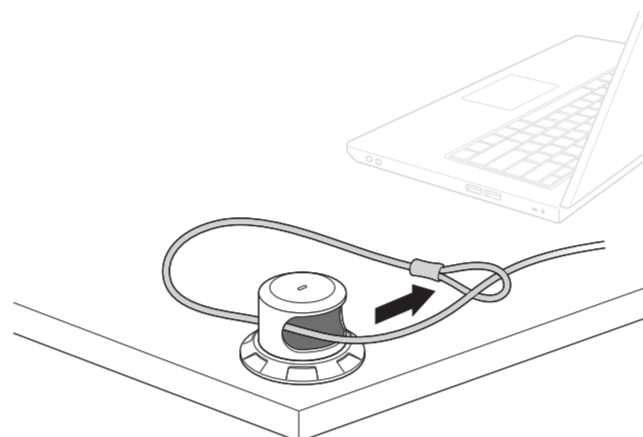
2



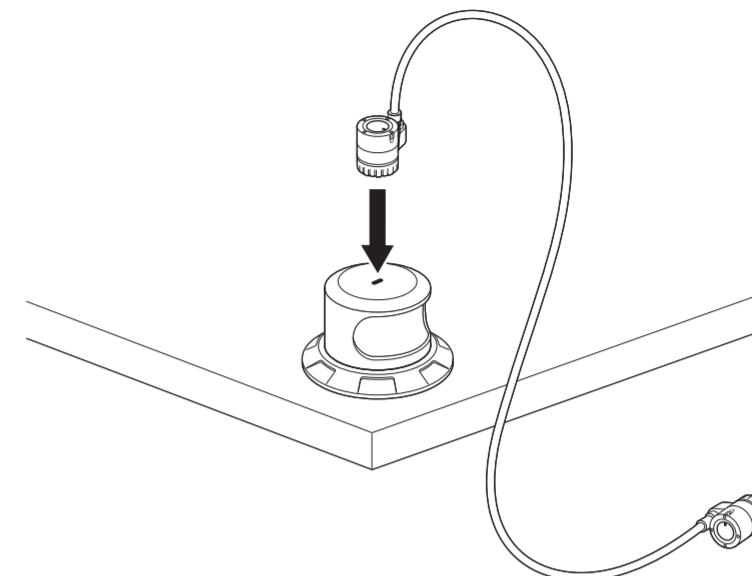
3



4



Alternate dual lockhead option / Autre option de double verrou /
 Alternative mit zwei Schließzylindern / Optie voor wisselende duale
 kopvergrendeling / Opzione doppio lucchetto alternato / Dos opciones
 alternativas para el cabezal / Vagylagosan kétféle rögzítő tartozék /
 Alternativní možnost dvojího připevnění / Opcja A — klej /
 Дополнительный замок / Duas opções para cadeado com cabeça



TWO-YEAR LIMITED WARRANTY
 KENSINGTON COMPUTER PRODUCTS GROUP ("KENSINGTON") warrants only to the original purchaser of this product from a Kensington-authorized reseller or distributor that this product will be free from defects in material and workmanship under normal use and service for two years after date of purchase. Kensington reserves the right, before having any obligation under this limited warranty, to inspect the damaged Kensington product, and all costs of shipping the Kensington product to Kensington for inspection shall be borne solely by the purchaser. In order to recover under this limited warranty, Purchaser must make claim to Kensington within 60 days of occurrence, and must present acceptable proof of original ownership (such as original receipt, warranty card registration, on-line registration, or other documentation Kensington deems acceptable) for the product. KENSINGTON, at its option, shall repair or replace the defective unit covered by this warranty. Please retain the dated sales receipt as evidence of the original purchaser's date of purchase. You will need it for any warranty service. In order to keep this limited warranty in effect, the product must have been handled and used as prescribed in the instructions accompanying this warranty. This limited warranty does not cover any damage due to accident, misuse, abuse or negligence. This limited warranty is valid only if the product is used with the equipment specified on the product box. Please check product box for details or call KENSINGTON technical support. This limited warranty is non-transferable and does not apply to any purchaser who bought the product from a reseller or distributor not authorized by Kensington, including but not limited to purchases from internet auction sites. This warranty does not affect any other legal rights you may have by operation of law. Contact KENSINGTON at www.support.kensington.com or at one of the technical support numbers listed below for warranty service procedures.

DISCLAIMER OF WARRANTY
 EXCEPT FOR THE LIMITED WARRANTY PROVIDED HEREIN, TO THE EXTENT PERMITTED BY LAW, KENSINGTON DISCLAIMS ALL WARRANTIES, EXPRESS OR IMPLIED, INCLUDING ALL WARRANTIES OF MERCHANTABILITY AND/OR FITNESS FOR A PARTICULAR PURPOSE. TO THE EXTENT THAT ANY IMPLIED WARRANTIES MAY NONETHELESS EXIST BY OPERATION OF LAW, ANY SUCH WARRANTIES ARE LIMITED TO THE DURATION OF THIS WARRANTY. SOME STATES/PROVINCES DO NOT ALLOW LIMITATIONS ON HOW LONG AN IMPLIED WARRANTY LASTS, SO THE ABOVE LIMITATIONS MAYNOT APPLY TO YOU.

LIMITATION OF LIABILITY
 REPAIR OR REPLACEMENT OF THIS PRODUCT, AS PROVIDED HEREIN, IS YOUR EXCLUSIVE REMEDY. KENSINGTON SHALL NOT BE LIABLE FOR ANY SPECIAL, INCIDENTAL OR CONSEQUENTIAL DAMAGES, INCLUDING, BUT NOT LIMITED TO, LOST REVENUES, LOST PROFITS, LOSS OF USE OF SOFTWARE, LOSS OR RECOVERY OF DATA, RENTAL OF REPLACEMENT EQUIPMENT, DOWNTIME, DAMAGE TO PROPERTY, AND THIRD-PARTY CLAIMS, ARISING OUT OF ANY THEORY OF RECOVERY, INCLUDING WARRANTY CONTRACT, STATUTORY OR TORT. NOTWITHSTANDING THE TERM OF ANY LIMITED WARRANTY OR ANY WARRANTY IMPLIED BY LAW, OR IN THE EVENT THAT ANY LIMITED WARRANTY FAILS OF ITS ESSENTIAL PURPOSE, IN NO EVENT WILL KENSINGTON'S ENTIRE LIABILITY EXCEED THE PURCHASE PRICE OF THIS PRODUCT. SOME STATES/PROVINCES DO NOT ALLOW THE EXCLUSION OR LIMITATION OF INCIDENTAL OR CONSEQUENTIAL DAMAGES, SO THE ABOVE LIMITATION OR EXCLUSION MAYNOT APPLY TO YOU. THIS WARRANTY GIVES YOU SPECIFIC LEGAL RIGHTS AND YOU MAY ALSO HAVE OTHER RIGHTS THAT VARY FROM STATE TO STATE AND PROVINCE TO PROVINCE.

Kensington and the ACCO name and design are registered trademarks of ACCO Brands. The Kensington Promise is a service mark of ACCO Brands. All other registered and unregistered trademarks are the property of their respective owners patents pending.

©2009 Kensington Computer Products Group, a division of ACCO Brands. Any unauthorized copying, duplicating, or other reproduction of the contents hereof is prohibited without written consent from Kensington Computer Products Group. All rights reserved. 10/09

 TWO YEAR LIMITED WARRANTY This product comes with a 2-year limited warranty & free technical support. www.kensington.com The Kensington Promise™ 8 0 0 - 2 3 5 - 6 7 0 8			
	Kensington Computer Products Group A Division of ACCO Brands 333 Twin Dolphin Drive, 6th Floor Redwood Shores, CA 94065 Made in China www.kensington.com	ACCO Brands Europe Oxford House Oxford Road Aylesbury Bucks, HP21 8SZ United Kingdom	ACCO Brands Canada 5 Precidio Court Brampton Ontario, L6S 6B7 Canada

901-2372-00
 KL

 Kensington®

Grommet Hole Cable Anchor

INSTRUCTION GUIDE
 GUIDE D'INSTRUCTIONS
 BEDIENUNGSANLEITUNG
 HANDLEIDING
 MANUALE DI ISTRUZIONI
 MANUAL DE INSTRUCCIONES

HASZNÁLATI ÚTMUTATÓ
 PŘÍRUČKA S POKYNY
 INSTRUKCJA OBSŁUGI
 РУКОВОДСТВО ПОЛЬЗОВАТЕЛЯ
 MANUAL DE INSTRUÇÕES

Contents / Contenu / Inhalt / Inhoud / Contenido / Contenido / Tartalomjegyzék / Obsah /
 Zawartość opakowania / Содержание / Conteúdo

