

User's Guide

Samsung Multifunction **MultiXpress**

X740x/X750x/X760x series
K740x/K750x/K760x/K765x series

BASIC

This guide provides information concerning installation, basic operation and troubleshooting on Windows.

ADVANCED (ADMINISTRATOR'S GUIDE)

This guide provides information about installation, advanced configuration, operation and troubleshooting on various OS environments.

Some features may not be available depending on models or countries.



1. Introduction

Key benefits	6
Features by model	8
Useful to know	12
About this user's guide	13
Safety information	14
Machine overview	19
Control panel	22
Connecting a network cable	23
Turning on the machine	24
Understanding the LEDs	26
Display screen and useful menu	29
Understanding the pop-up keyboard	39
Installing the driver locally	40
Reinstalling the driver	43



2. Media and Tray

Loading originals	46
Selecting print media	51
Loading paper in the tray	52

Printing on special media	60
Tray Settings	67



3. Printing

Printer driver features	70
Basic printing	71
Opening printing preferences	73
Using special print features	83
Using Direct Printing Utility	91
Changing the default print settings	93
Setting your machine as a default machine	94
Print Settings in Machine	95
Setting Device Options	96
Printing to a file (PRN)	98
Mac printing	99
Linux printing	101
UNIX printing	103



4. Copying

Understanding the copy screen	106
Basic copy	119

Using the Quick Copy menu	120
ID card copying	121



5. Scan & Send(Scanning)

Understanding the Scan & Send screen	127
Basic scan	137
ID Send	138
Scanning with TWAIN-enabled software	140
Using Samsung Easy Document Creator	141
Mac scanning	143
Linux scanning	144



6. Faxing(Optional)

Preparing to fax	146
Using a fax in your computer	147
Understanding the fax screen	149
Sending a fax	157
Receiving a fax	159



7. Setting up an Address book

Understanding the address screen	165
Using the control panel	167
Using SyncThru™ Web Service	171



8. Management Tools

Accessing management tools	181
SyncThru™ Web Service	182
Easy Capture Manager	189
Samsung AnyWeb Print	190
Easy Eco Driver	191
Using Samsung Easy Document Creator	192
Using Samsung Easy Printer Manager	193
Using Samsung Printer Status	196
Using Samsung Printer Experience	198
Using Box	205



9. Consumables and Accessories

Ordering supplies and accessories	209
-----------------------------------	-----

Available consumables	210
Available accessories	212
Available maintenance parts	214
Installing accessories	215
Checking replaceable's lifespan	217
Using a USB drive device	218

Copyright	299
------------------	-----



10. Troubleshooting

Redistributing toner	223
Replacing the toner cartridge	225
Replacing the imaging unit	228
Replacing the waste toner container	229
Tips for avoiding paper jams	231
Clearing paper jams	232
Understanding display messages	250
Power and cable connecting problems	258
Solving other problems	259



11. Appendix

Specifications	276
Regulatory information	289



1. Introduction

These are the main components of your machine:

- **Key benefits** 6
- **Features by model** 8
- **Useful to know** 12
- **About this user's guide** 13
- **Safety information** 14
- **Machine overview** 19
- **Control panel** 22
- **Turning on the machine** 24
- **Connecting a network cable** 23
- **Understanding the LEDs** 26
- **Display screen and useful menu** 29
- **Understanding the pop-up keyboard** 39
- **Installing the driver locally** 40
- **Reinstalling the driver** 43



Key benefits

Environmentally friendly



- To save toner and paper, this machine supports Eco feature (see "Eco tab" on page 80).
- To save paper, you can print multiple pages on one single sheet of paper (see "Using special print features" on page 83).
- To save paper, you can print on both sides of the paper (double-sided printing) (see "Using special print features" on page 83).
- To save electricity, this machine automatically conserves electricity by substantially reducing power consumption when not in use.
- We recommend using recycled paper for saving energy.

Fast high resolution printing



- You can print with a resolution of up to 1,200 x 1,200 dpi.
- Fast, on-demand printing.
 - X740x/K740x series
 - For single-side printing, up to 40 ppm (A4 or Letter).

- X750x/K750x series
 - For single-side printing, up to 50 ppm (A4 or Letter).
- X760x/K760x series
 - For single-side printing, up to 60 ppm (A4 or Letter).
- K765x series
 - For single-side printing, up to 65 ppm (A4 or Letter).

Convenience



- You can print on the go from your smartphone or computer using Google Cloud Print™ enabled apps (see "Google Cloud Print™" on page 374).
- Easy Capture Manager allows you to easily edit and print whatever you captured using the Print Screen key on the keyboard (see "Easy Capture Manager" on page 189).
- Samsung Easy Printer Manager and Printing Status is a program that monitors and informs you of the machine's status and allows you to customize the machine's settings (see "Using Samsung Printer Status" on page 196 or "Using Samsung Easy Printer Manager" on page 193).
- Samsung Easy Document Creator is an application to help users scan, compile, and save documents in multiple formats, including .epub format. These documents can be shared via social networking sites or fax (see "Using Samsung Easy Document Creator" on page 192).

Key benefits

- AnyWeb Print helps you screen-capture, preview, scrap, and print the screen of Windows Internet Explorer more easily than when you use the ordinary program (see "Samsung AnyWeb Print" on page 190).
- Smart Update allows you to check for the latest software and install the latest version during the printer driver installation process. This is available only for Windows.
- If you have Internet access, you can get help, support application, machine drivers, manuals, and order information from the Samsung website, <http://www.hp.com/go/Samsung>.

Wide range of functionality and application support



- Supports various paper sizes (see "Print media specifications" on page 278).
- Print watermark: You can customize your documents with words, such as "**Confidential**" (see "Watermark" on page 79).
- You can print in various operating systems (see "System requirements" on page 284).
- Your machine is equipped with a USB interface and/or a network interface.

Support XOA applications



The machine supports XOA custom applications.

- Regarding the XOA custom applications, please contact your XOA custom application provider.

Features by model

Some features and optional goods may not be available depending on model or country.

Operating System

Operating System	X740x/X750x/X760x series	K740x/K750x/K760x/K765x series
Windows	•	•
Mac	•	•
Linux	•	•
Unix	•	•

(●: Supported, Blank: Not Supported)

Software

You can install the printer driver and software when you insert the software CD into your CD-ROM drive. For windows, select the printer driver and software in the Select Software to Install window.

Software	X740x/X750x/X760x series	K740x/K750x/K760x/K765x series
PCL printer driver	•	•
PS printer driver ^a	•	•
XPS printer driver ^a	•	•
Direct Printing Utility ^a	•	•

Features by model

Software		X740x/X750x/X760x series	K740x/K750x/K760x/K765x series
Samsung Easy Printer Manager	Scan to PC Settings	•	•
	Fax to PC Settings	•	•
	Device Settings	•	•
Samsung Printer Status		•	•
Samsung AnyWeb Print^a		•	•
Samsung Easy Document Creator		•	•
Easy Capture Manager		•	•
SyncThru™ Web Service		•	•
SyncThru Admin Web Service		•	•
Easy Eco Driver		•	•
Fax	Samsung Network PC Fax	•	•
Scan	Twain scan driver	•	•

a. Download the software from the Samsung website and install it: (<http://www.hp.com/go/Samsung>). Before installing, check whether your computer's OS support the software.

(•: Supported, Blank: Not Supported)

Features by model

Variety feature

Features	X740x/X750x/X760x series	K740x/K750x/K760x/K765x series
Dual Scan Document Feeder (DSDF)	●	●
USB Memory Interface	●	●
Network Interface Ethernet 10/100/ 1000 Base TX wired LAN	●	●
Network Interface 802.11b/g/n/ac wireless LAN ^a	○	○
NFC Multifunction Kit	○	○
Dual Network Kit	○	○
Cabinet Stand	○	○
Finisher	○	○
Hole Punch Kit	○	○
Dual Cassette Feeder	○	○
High Capacity Feeder (Bottom)	○	○
High Capacity Feeder (Side)	○	○
Working Table	○	○
BYOD Table	○	○
Fax Kit	○	○

Features by model

Features	X740x/X750x/X760x series	K740x/K750x/K760x/K765x series
FDI Kit	○	○
Cassette Locking Kit	○	○
Heater Kit	○	○
Job Separator	○	○
Video Controller	○	○

a. Depending on your country, wireless LAN card may not be available. For some countries, only 802.11 b/g can be applied. Contact your local Samsung dealer or the retailer where you bought your machine.

(●: Supported, ○: Optional, Blank: Not Supported)

Useful to know



The machine does not print.

- Open the print queue list and remove the document from the list (see "Canceling a print job" on page 72).
- Remove the driver and install it again (see "Installing the driver locally" on page 40).
- Select your machine as your default machine in your Windows (see "Setting your machine as a default machine" on page 94).



Where can I purchase accessories or supplies?

- Inquire at a Samsung distributor or your retailer.
- Visit <http://www.hp.com/go/Samsung>. Select your country/region to view product service information.



The status LED flashes or remains constantly on.

- Turn the product off and on again.
- Check the meanings of LED indications in this manual and troubleshoot accordingly (see "Understanding the LEDs" on page 26).



A paper jam has occurred.

- Open and close the door (see "Front view 1" on page 19).
- Check the instructions on removing jammed paper in this manual and troubleshoot accordingly (see "Clearing paper jams" on page 232).



Printouts are blurry.

- The toner level might be low or uneven. Shake the toner cartridge (see "Redistributing toner" on page 223).
- Try a different print resolution setting (see "Opening printing preferences" on page 73).
- Replace the toner cartridge (see "Replacing the toner cartridge" on page 225).



Where can I download the machine's driver?

- You can get help, support application, machine drivers, manuals, and order information from the Samsung website, <http://www.hp.com/go/Samsung>

About this user's guide

This user's guide provides information for your basic understanding of the machine as well as detailed steps to explain machine usage.




- Do not discard this manual and keep it for future reference.
- Read the safety information before using the machine.
- If you have a problem using the machine, refer to the troubleshooting chapter.
- Terms used in this user's guide are explained in the glossary chapter.
- All illustrations in this user's guide may differ from your machine depending on its options or model you purchased.
- The screenshots in this administrator's guide may differ from your machine depending on the machine's firmware/driver version.
- The procedures in this user's guide are mainly based on Windows 7.

Conventions

Some terms in this guide are used interchangeably, as below:

- Document is synonymous with original.
- Paper is synonymous with media, or print media.
- Machine refers to printer or MFP.

General icons




Icon	Text	Description
	Caution	Gives users information to protect the machine from possible mechanical damage or malfunction.
	Warning	Used to alert users to the possibility of personal injury.
	Note	Provides additional information or detailed specification of the machine function and feature.

Safety information

These warnings and precautions are included to prevent injury to you and others, and to prevent any potential damage to your machine. Be sure to read and understand all of these instructions before using the machine. After reading this section, keep it in a safe place for future reference.

Important safety symbols

Explanation of all icons and signs used in this chapter

	Warning	Hazards or unsafe practices that may result in severe personal injury or death.
	Caution	Hazards or unsafe practices that may result in minor personal injury or property damage.
		Do not attempt.

Operating environment

Warning



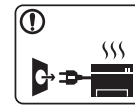
Do not use if the power cord is damaged or if the electrical outlet is not grounded.

This could result in electric shock or fire.



Do not place anything on top of the machine (water, small metal or heavy objects, candles, lit cigarettes, etc.).

This could result in electric shock or fire.



- If the machine gets overheated, it releases smoke, makes strange noises, or generates an odd odor, immediately turn off the power switch and unplug the machine.

- The user should be able to access the power outlet in case of emergencies that might require the user to pull the plug out.

This could result in electric shock or fire.



Do not bend, or place heavy objects on the power cord.

Stepping on or allowing the power cord to be crushed by a heavy object could result in electric shock or fire.









Do not remove the plug by pulling on the cord; do not handle the plug with wet hands.

This could result in electric shock or fire.







Safety information

Caution




	<p>During an electrical storm or for a period of non-operation, remove the power plug from the electrical outlet.</p> <p>This could result in electric shock or fire.</p>
	<p>Be careful, the paper output area is hot.</p> <p>Burns could occur.</p>
	<p>If the machine has been dropped, or if the cabinet appears damaged, unplug the machine from all interface connections and request assistance from qualified service personnel.</p> <p>Otherwise, this could result in electric shock or fire.</p>
	<p>If the machine does not operate properly after these instructions have been followed, unplug the machine from all interface connections and request assistance from qualified service personnel.</p> <p>Otherwise, this could result in electric shock or fire.</p>
	<p>If the plug does not easily enter the electrical outlet, do not attempt to force it in.</p> <p>Call an electrician to change the electrical outlet, or this could result in electric shock.</p>
	<p>Do not allow pets to chew on the AC power, telephone or PC interface cords.</p> <p>This could result in electric shock or fire and/or injury to your pet.</p>

Operating method

Caution


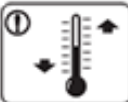
	<p>Do not forcefully pull the paper out during printing.</p> <p>It can cause damage to the machine.</p>
	<p>Be careful not to put your hand between the machine and paper tray.</p> <p>You may get injured.</p>
	<p>Be care when replacing paper or removing jammed paper.</p> <p>New paper has sharp edges and can cause painful cuts.</p>
	<p>When printing large quantities, the bottom part of the paper output area may get hot. Do not allow children to touch.</p> <p>Burns can occur.</p>
	<p>When removing jammed paper, do not use tweezers or sharp metal objects.</p> <p>It can damage the machine.</p>
	<p>Do not allow too many papers to stack up in the paper output tray.</p> <p>It can damage the machine.</p>

Safety information




	Do not block or push objects into the ventilation opening. This could result in elevated component temperatures which can cause damage or fire.
	Use of controls or adjustments or performance of procedures other than those specified herein may result in hazardous radiation exposure.
	This machine's power reception device is the power cord. To switch off the power supply, remove the power cord from the electrical outlet.

Installation / Moving








Warning

	Do not place the machine in an area with dust, humidity, or water leaks. This could result in electric shock or fire.
	Place the machine in the environment where it meets the operating temperature and humidity specification. Otherwise, quality problems can occur and cause damage to the machine. see "Hardware specifications" on page 276

Caution

	Before moving the machine, turn the power off and disconnect all cords. The information below are only suggestions based on the units weight. If you have a medical condition that prevents you from lifting, do not lift the machine. Ask for help, and always use the appropriate amount of people to lift the device safely. The machine could fall, causing injury or machine damage. Then lift the machine: <ul style="list-style-type: none">• If the machine weighs under 20 kg (44.09 lbs), lift with 1 person.• If the machine weighs 20 kg (44.09 lbs) - 40kg (88.18 lbs), lift with 2 people.• If the machine weighs more than 40 kg (88.18 lbs), lift with 4 or more people.
	Choose a flat surface with enough space for ventilation to place the machine. Also consider the space required to open the cover and trays. The place should be well-ventilated and be far from direct light, heat, and humidity.
	When using the machine for a long period of time or printing a large number of pages in a non-ventilated space, it could pollute the air and be harmful to your health. Place the machine in a well-ventilated space or open a window to circulate the air periodically.






Safety information

	<p>Do not place the machine on an unstable surface. The machine could fall, causing injury or machine damage.</p>
	<p>Use only No.26 AWG^a or larger, telephone line cord, if necessary. Otherwise, it can cause damage to the machine.</p>
	<p>Make sure you plug the power cord into a grounded electrical outlet. Otherwise, this could result in electric shock or fire.</p>
	<p>Use the power cord supplied with your machine for safe operation. If you are using a cord which is longer than 2 meters (6 feet) with a 110V machine, then the gauge should be 16 AWG or larger. Otherwise, it can cause damage to the machine, and could result in electric shock or fire.</p>
	<p>Do not put a cover over the machine or place it in an airtight location, such as a closet. If the machine is not well-ventilated, this could result in fire.</p>
	<p>Do not overload wall outlets and extension cords. This can diminish performance, and could result in electric shock or fire.</p>
	<p>The machine should be connected to the power level which is specified on the label. If you are unsure and want to check the power level you are using, contact the electrical utility company.</p>



a. AWG: American Wire Gauge

Maintenance / Checking

Caution



	<p>Unplug this product from the wall outlet before cleaning the inside of the machine. Do not clean the machine with benzene, paint thinner or alcohol; do not spray water directly into the machine. This could result in electric shock or fire.</p>
	<p>When you are working inside the machine replacing supplies or cleaning the inside, do not operate the machine. You could get injured.</p>
	<p>Keep cleaning supplies away from children. Children could get hurt.</p>
	<p>Do not disassemble, repair or rebuild the machine by yourself. It can damage the machine. Call a certified technician when the machine needs repairing.</p>
	<p>To clean and operate the machine, strictly follow the user's guide provided with the machine. Otherwise, you could damage the machine.</p>






Safety information

	<p>Keep the power cable and the contact surface of the plug clean from dust or water.</p> <p>Otherwise, this could result in electric shock or fire.</p>
	<ul style="list-style-type: none">• Do not remove any covers or guards that are fastened with screws.• Fuser units should only be repaired by a certified service technician. Repair by non-certified technicians could result in fire or electric shock.• The machine should only be repaired by a Samsung service technician.

Supply usage

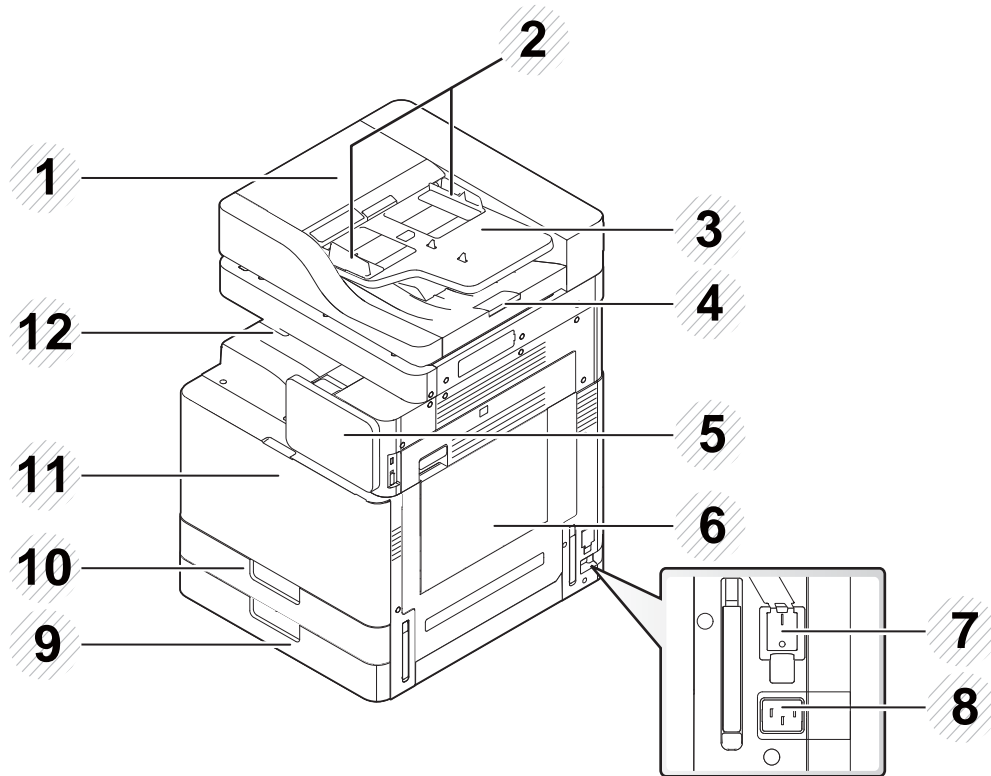
Caution

	<p>Do not disassemble the toner cartridge.</p> <p>Toner dust can be dangerous if inhaled or ingested.</p>
	<p>Do not burn any of the supplies such as toner cartridge or fuser unit.</p> <p>This could cause an explosion or uncontrollable fire.</p>

	<p>When storing supplies such as toner cartridges, keep them away from children.</p> <p>Toner dust can be dangerous if inhaled or ingested.</p>
	<p>Using recycled supplies, such as toner, can cause damage to the machine.</p> <p>In case of damage due to the use of recycled supplies, a service fee will be charged.</p>
	<p>For consumables that contain toner dust (toner cartridge, waste toner bottle, imaging unit, etc.) follow the instructions below.</p> <ul style="list-style-type: none">• When disposing of the supplies, follow the instructions for disposal. Refer to the reseller for disposal instructions.• Do not wash the supplies.• For a waste toner bottle, do not reuse it after emptying the bottle. <p>If you do not follow the instructions above, it may cause machine malfunction and environmental pollution. The warranty does not cover damages caused by a user's carelessness.</p>
	<p>When toner gets on your clothing, do not use hot water to wash it.</p> <p>Hot water sets toner into fabric. Use cold water.</p>
	<p>When changing the toner cartridge or removing jammed paper, be careful not to let toner dust touch your body or clothes.</p> <p>Toner dust can be dangerous if inhaled or ingested.</p>

Machine overview

Front view 1

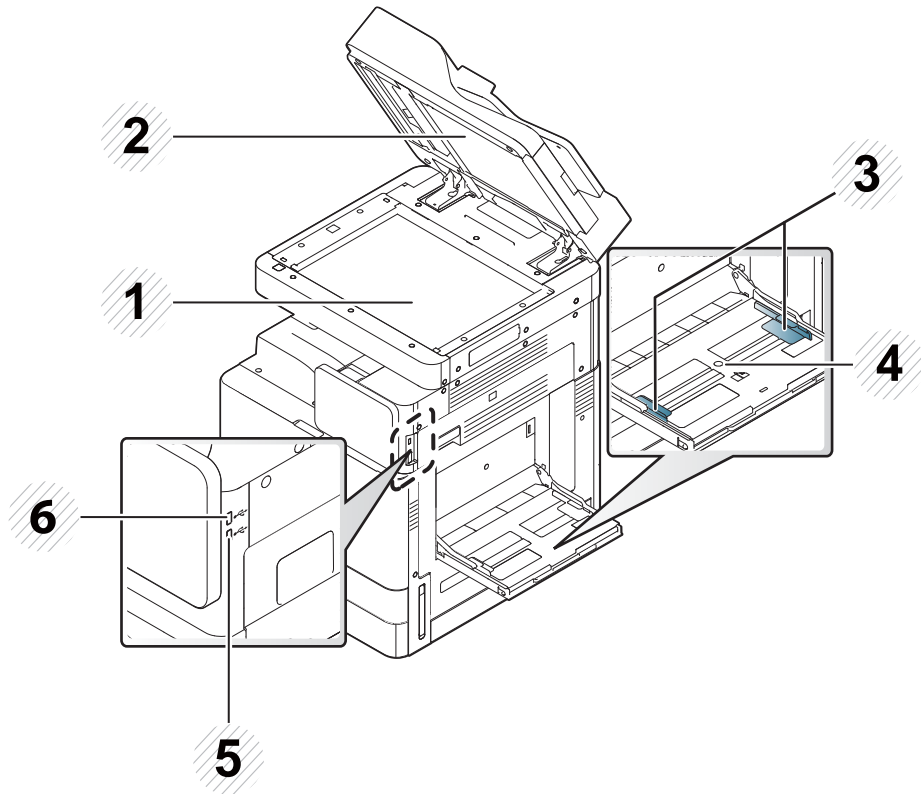


3	Dual Scan Document Feeder (DSDF) input tray	9	Standard tray (tray 2)
4	Dual Scan Document Feeder (DSDF) output tray	10	Standard tray (tray 1)
5	Control panel	11	Front door
6	Multi-purpose tray	12	Paper output tray

1	Dual Scan Document Feeder (DSDF) cover	7	Power-switch
2	Dual Scan Document Feeder (DSDF) width guides	8	Power receptacle

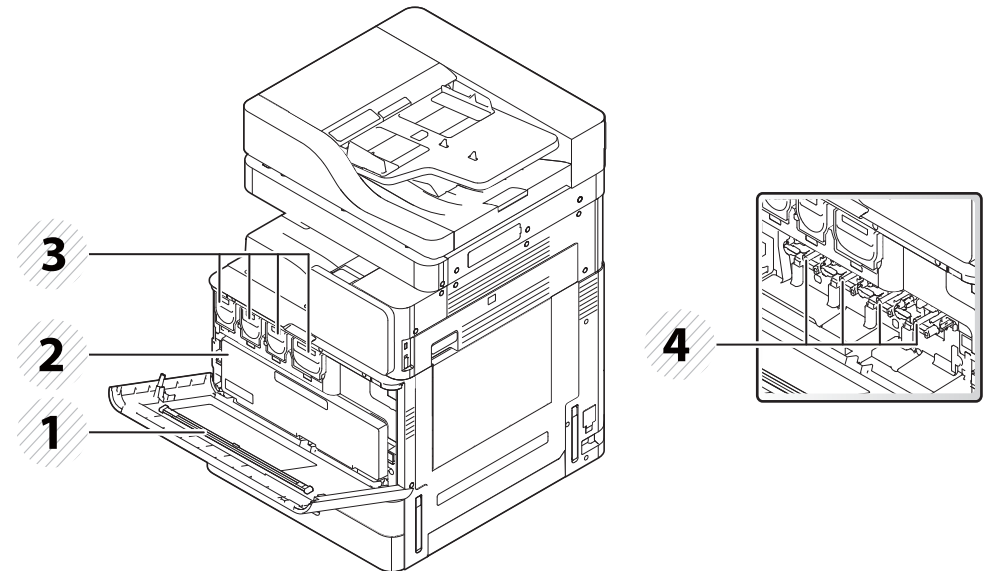
Machine overview

Front view 2



1	Scanner glass	4	Multi-purpose tray
2	White sheet	5	USB Keyboard port
3	Multi-purpose tray paper width guide	6	USB port

Inner view (X740x/X750x/X760x series)



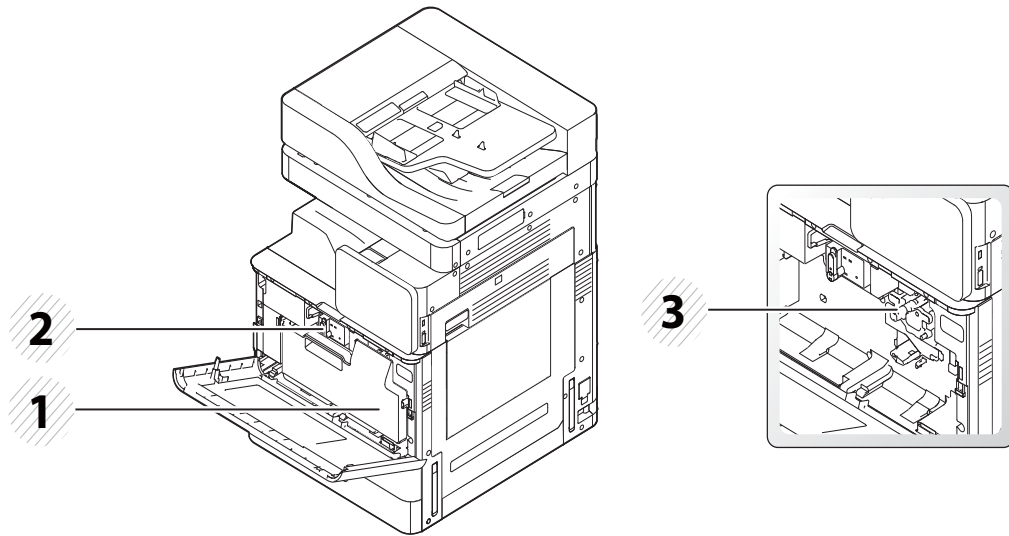
1	LSU window cleaning stick	3	Toner Cartridges
2	Waste toner container	4	Imaging units



If you want to see the imaging unit, you need to remove the waste toner container.

Machine overview

Inner view (K740x/K750x/K760x/K765x series)

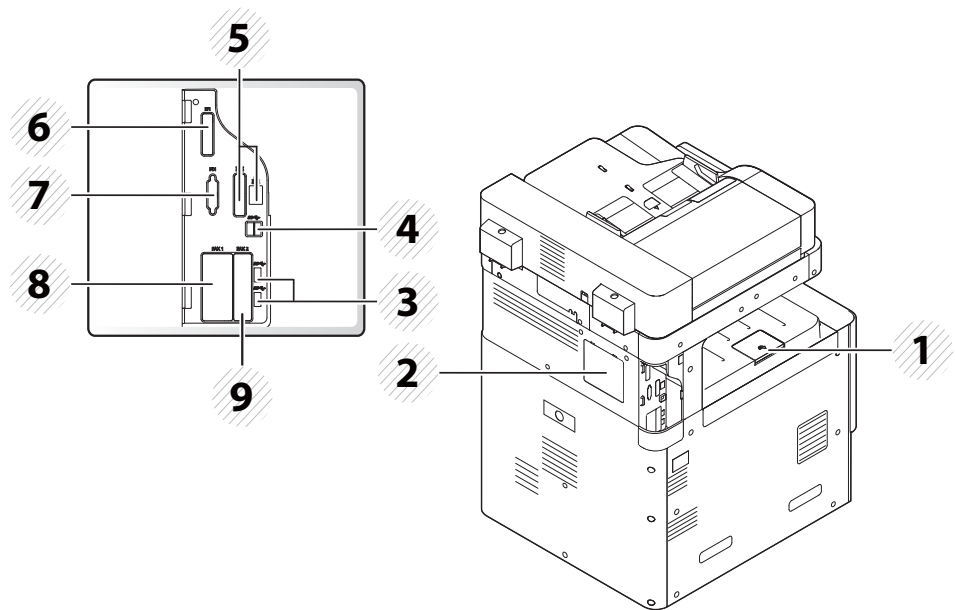


1	Waste toner container	3	Imaging unit
2	Toner cartridge		



If you want to see the imaging unit, you need to remove the waste toner container.

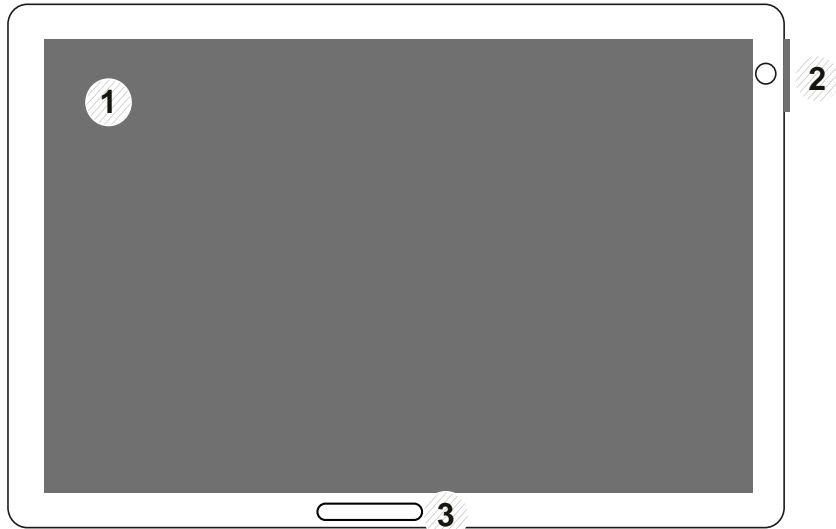
Rear view




1	Output support tray	6	EFI (Optional) cover
2	Control board cover	7	FDI (Optional) cover
3	USB port	8	Fax1 (Optional) port cover
4	USB printer port	9	Fax2 (Optional) port cover
5	Network port		

Control panel

Control Panel

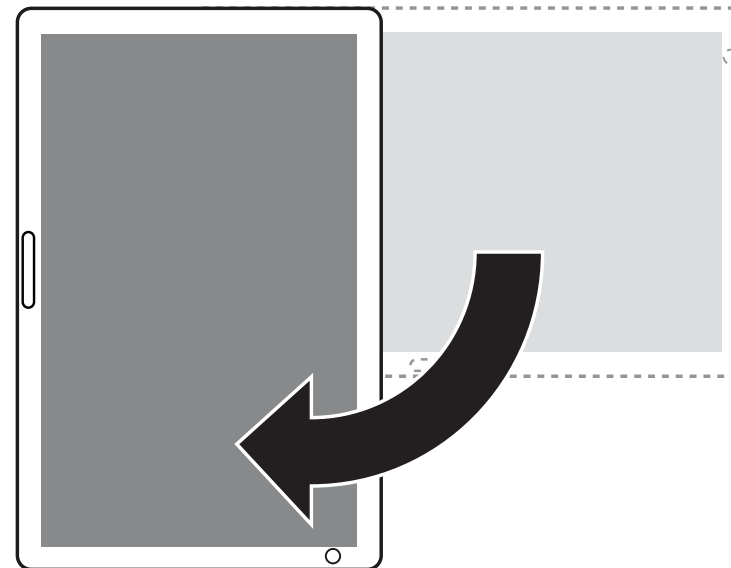


1	Display screen	Shows the current machine status and prompts during an operation. You can set menus easily using the display screen.
2	a. Power LED	Shows the power status of your machine.
	b.  (Power / Wakeup) button	Turn the power on or off. When the blue LED is on, the machine is powered on and you can use it. If you turn the machine off, press this button for more than two seconds. Then, confirmation window appears.
3	Status LED	Shows the status of your machine (see "Understanding the LEDs" on page 26).



When you use the display screen, use your finger only. The screen may be damaged with a sharp pen or anything else.

Rotating the Control Panel



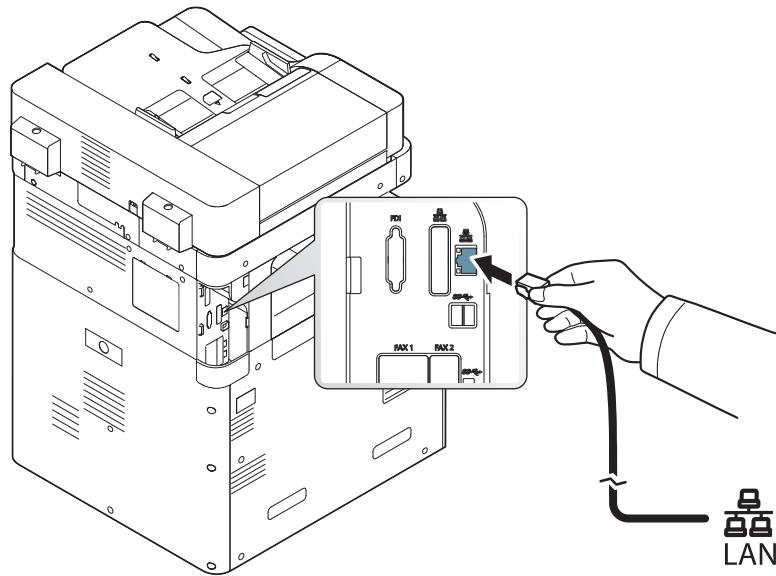
You can rotate the control panel 90 degrees. When you rotate the control panel, the screen orientation adjusts automatically to match the orientation of the control panel.



Some features do not support screen rotation.

Connecting a network cable

This machine has a built-in network interface card. You can connect your machine to a network using a network cable.

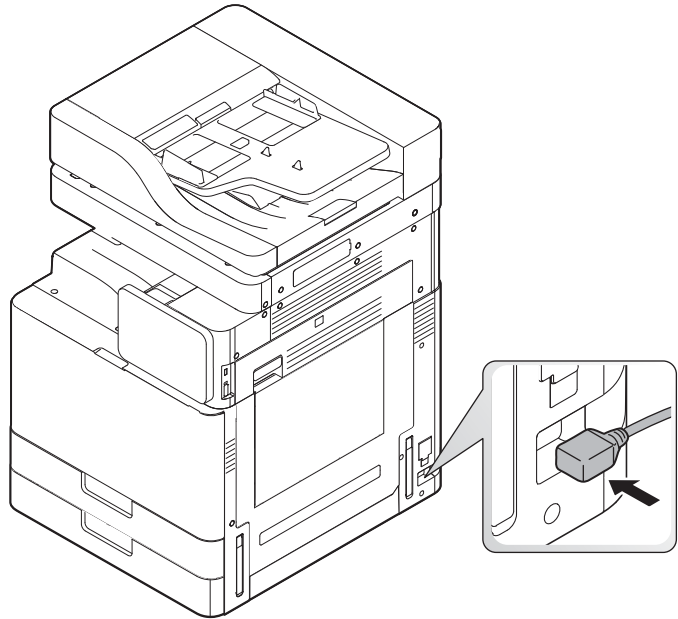


Turning on the machine

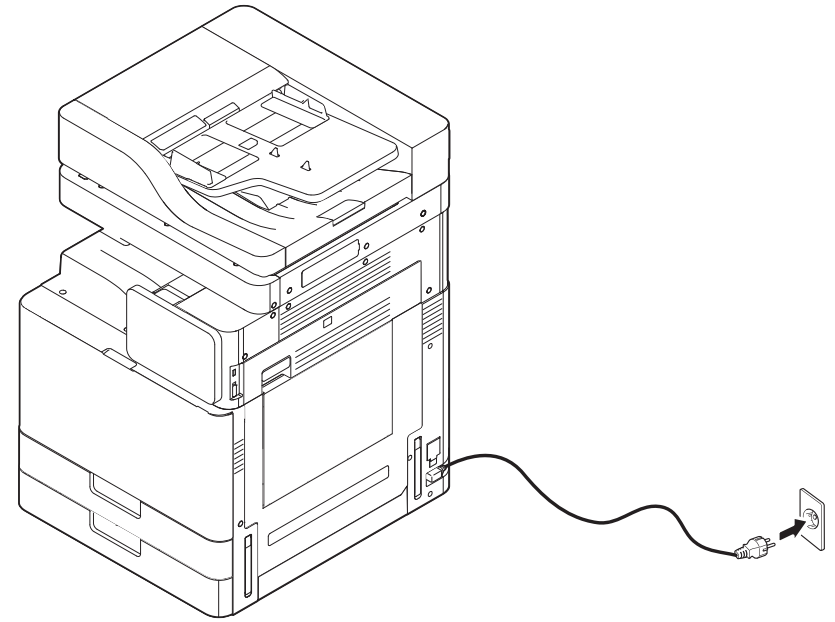


Keep in mind that you should use the power cord supplied with the machine. Otherwise, it can cause damage or fire to the machine.

- 1 Plug the power cord into the power receptacle.

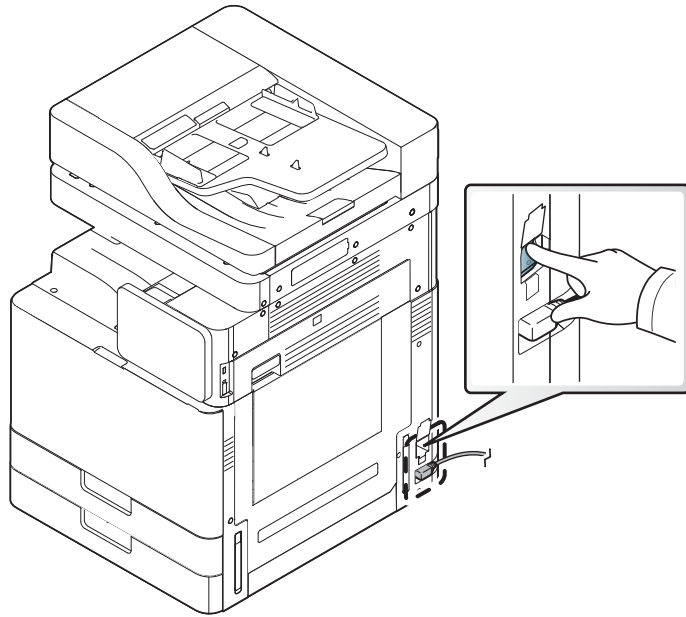



- 2 Plug the other end into a properly grounded AC outlet.



Turning on the machine

- 3 Turn on the main power switch.



- You can also turn the machine on pressing the  (**Power / Wakeup**)
- Some parts inside of the machine may be hot when power is on, or after printing. Be careful not to burn yourself when working inside the machine.
- Do not disassemble the machine when it is turned on or plugged in. Doing so may give you an electric shock.

Understanding the LEDs

Understanding the status LED

The color of the status LED indicates the machine's current status.



- Some LEDs may not be available depending on model or country (see "Control panel" on page 22).
- To resolve the error, look at the error message and its instructions from the troubleshooting part (see "Troubleshooting" on page 222).
- You also can resolve the error with the guideline from the computers' Samsung Printer Status program window (see "Using Samsung Printer Status" on page 196).
- If the problem persists, call a service representative.

Status		Description	
Off		<ul style="list-style-type: none">• The machine is off-line.• The machine is in power save mode.	
Green	On	The machine is on-line and can be used.	
	Blinking	Fax	The machine is sending or receiving faxes.
		Copy	The machine is copying documents.
		Scan	The machine is scanning documents.
Print		<ul style="list-style-type: none">• When the status LED slowly blinks, the machine is receiving data from the computer.• When the status LED blinks rapidly, the machine is printing data.	

Understanding the LEDs

Status		Description
Orange	On	<ul style="list-style-type: none"> • A toner cartridge has almost reached its estimated cartridge life^a. It is recommended to replace the toner cartridge. • A paper jam has occurred (see "Clearing paper jams" on page 232). • The cover is opened. Close the cover. • There is no paper in the tray. Load paper in the tray (see "Loading paper in the tray" on page 52). • The machine has stopped due to a major error. Check the display message (see "Understanding display messages" on page 250). • An imaging unit has almost reached its estimated cartridge life^b. It is recommended to replace the toner cartridge.
	Blinking	<ul style="list-style-type: none"> • A minor error has occurred and the machine is waiting for the error to be cleared. Check the display message (see "Understanding display messages" on page 250). When the problem is cleared, the machine resumes its original task. • The toner cartridge life^a or imaging unit is near the end of its life. Order a new toner cartridge or imaging unit. You can temporarily improve print quality by redistributing the toner.

a. Estimated cartridge life means the expected or estimated toner cartridge life, which indicates the average capacity of print-outs and is designed pursuant to ISO/IEC 19752. The number of pages may be affected by operating environment, percentage of image area, printing interval, graphics, media and media size. Some amount of toner may remain in the cartridge even when red LED is on and the printer stops printing.

b. When the imaging unit has reached its end of life, the machine will stop printing. In this case, you can choose to stop or continue printing from the SyncThru™ Web Service (**Settings > Machine Settings > System > Setup > Supplies Management > Toner Cartridge Stop**) or Samsung Easy Printer Manager (**Device Settings > System > Supplies Management > Toner Cartridge Stop**). Turning off this option and continuing to print may damage the device's system.



Check the message on the display screen. Follow the instructions in the message or refer to the troubleshooting chapter (see "Understanding display messages" on page 250). If the problem persists, call for service.

Understanding the LEDs

Understanding the power LED

The color of the status LED indicates the machine's current status.

Status		Description
Off		The machine is off-line.
Blue	On	The machine is on-line and can be used.
	Blinking	The machine is in power save mode. When data is received, or any screen is pressed, it switches to on-line automatically.



Check the message on the display screen. Follow the instructions in the message or refer to the troubleshooting chapter (see "Understanding display messages" on page 250). If the problem persists, call for service.

Display screen and useful menu

Menu navigation

You can tailor the machine's range of functions to fit your needs with both menus and widgets. Access features by scrolling through the available on-screen menus.

Manual terms

Tap

Lightly touch the screen and release your finger. For example:

- Tap the on-screen keyboard to enter characters or other text.
- Tap a menu item to select it.
- Tap an application's icon to launch the application.

Touch and hold

Lightly touch and hold your finger to the screen For example:

- Touch and hold a widget on the home screen to move it.
- Touch and hold on a field to display a pop-up menu of options.

Swipe

Lightly drag your finger across the screen.

For example:

- Swipe up or down on a home screen or menu to scroll it.




Panning

Touch and hold an icon, then tilt the device left or right.

For example:






- Use panning to move icons from your home screens or application menus to other pages.

Command Keys


-  (Back): Return to the previous screen, option or step.
-  (Home): Go to the main home screen.
-  (Recent): Show recently used apps.
- Quick launch: A customizable key. See the next section for options.

Display screen and useful menu

Add quick launch

- 1 From the display screen, tap the  (**Settings**) icon > **Display** > **More Settings** > **Quick Launch**.
- 2 Select the desired quick launch function.
 - **None:** The icon is not shown.
 - **Screen Capture** (): Capture the current screen to an image file.
 - **Applications** (): Open a screen showing all apps.
 - **Search** (): Open the search screen.
- 3 Tap  (Back) to return to the settings menu.

Home Screen Overview

The main home screen is the starting point for many applications and functions. You can customize it with application icons, shortcuts, and widgets to give you instant access to information and applications. You can open the default page at any time by tapping the  icon. The screen images in this user guide may differ from your machine depending on its options or model.



Depending on authentication settings, a machine's users may need to enter an ID and password. If this is enabled, the machine can only be used by a user with an authorized ID and password on the machine. Contact the machine's administrator.

Navigating the Home Screens

The machine initially has some home screens. You can drag and drop any application icon [short-cut] on any of the home screens. Normally you will use one screen as your Home Screen, so drag and drop where you would like it to appear on the screen.




From the main home screen, swipe left or right. The main home screen is located in the center and three additional pages are located on each side.

Display screen and useful menu

Navigating the application menus

By default, this machine has several application menus available in the main home screen. If you want to access all application menus and widgets, tap the


 icon and swipe the screen left or right.



As you add applications, the number of application menus available to you increases.

Accessing recently-used apps

You can easily find any app that you used recently.

- 1 Tap the  icon from anywhere to open the recently-used applications window.
- 2 Tap an application's icon in this window to open it.


Customizing your home screen

You can customize your home screen to suit your needs.

Creating shortcuts

Shortcuts are different from widgets. While widgets can only launch applications, shortcuts can do this and activate features and actions.

Adding a shortcut from the home screen

- 1 Tap the  icon to go to the main home screen.
- 2 Touch and hold the home screen to view a list of available shortcuts to select from.
 - **Set wallpaper**
 - **Home Screen** : Set the wallpaper for the **Home Screen**.
 - **Login Screen** : Set the wallpaper for the **Login Screen**.



To use this feature, you may need to log-in.

- **Home and Login Screens** : Set the wallpaper for the **Home and Login Screens**.



Display screen and useful menu



To use this feature, you may need to log-in.

- **Apps, XOA Apps, Widgets and Programs** : Place apps, XOA apps, widgets, and program icons on home screen.
- **Folder** : Create a folder on the home screen.
- **Page** : Add another page to the home screen.

Adding a shortcut from the Apps menu

- 1 Tap the  icon to go to the main home screen.
- 2 Tap the  icon to view your current applications.
- 3 Scroll through the list and locate the desired application.
- 4 Touch and hold the application icon. This creates a shortcut to the application and shows the main home screen.
- 5 Drag the shortcut to a desired position on the screen and release it. To move to a different page, drag the shortcut to the edge of the screen until the screen scrolls to the desired page.

Deleting a shortcut

- 1 Touch and hold a shortcut until it becomes movable.
- 2 You can drag shortcut and place a shortcut in the trash, both items turn red.



This action does not uninstall a program, it only removes the shortcut from the home screen.

Adding and removing widgets

Widgets are self-contained applications that reside on your widgets tab and on any page of the home screen. Unlike shortcuts, a widget appears as an on-screen application.



Widgets available

- **Bookmarks**: Displays links to bookmarked webpages directly on the home screen. You can resize the widget to display more or fewer bookmarks.
- **Copy (4x2)**: Allows you to adjust the numbers of copies or start copying quickly. Tap the plus and minus buttons to change the number of copies, and then tap **Copy Start** to start copying.
- **Copy (3x4)**: Allows you to adjust the numbers of copies or start copying directly from the home screen. Use the numeric keypad to change the number of copies, and then tap **Start** to start copying.

Display screen and useful menu

- **Fax:** Allows you to enter a fax number using the numeric keypad and then quickly send a fax.
- **My Program:** Lists shortcuts to app presets or settings.
- **Photo Gallery:** Displays the images stored on the machine.
- **Scan:** Allows you to scan documents to the Box or a USB device.
- **Tray Information:** Displays information about the printer trays, such as paper levels and what kind of the papers are loaded.
- **Usage Counter:** Displays an overview of the machine usage statistics.

Adding a widget

- 1 Tap the  icon to go to the main home screen.
- 2 Tap the  icon and tap the **Widget** tap at the top of the screen.
- 3 Scroll through the list and locate your desired widget.
- 4 Touch and hold the widget icon. This creates a copy of the widget and opens the main home screen.
- 5 Drag the widget to a desired position on the screen and release it. To move the widget to a different page, drag it to the edge of the screen until the screen scrolls to the desired page.



Removing a widget

- 1 Touch and hold a widget until it becomes movable.
- 2 You can drag shortcut and place a shortcut in the trash, both items turn red.



This action does not uninstall a widget, it only removes the copy from the home screen.

Moving icons in the Apps menu

- 1 Tap the  icon to go to the main home screen.
- 2 Tap the  icon to view your current applications.
- 3 Tap the **Apps** tab at the top of the screen if it is not already selected.
- 4 Drag the icon to a desired position on the screen and release it. To move to a different page, drag the icon to the edge of the screen until the screen scrolls to the desired page.

Display screen and useful menu

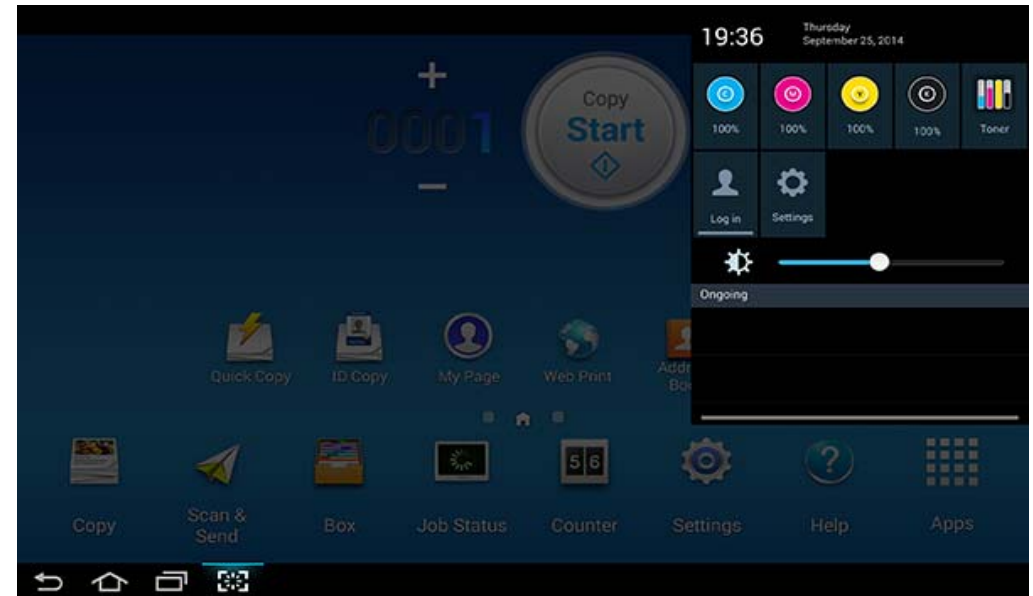
Changing the Wallpaper

You can customize the Wallpaper (background) of your home screens.

- 1 From any home screen, touch and hold on an empty area of the screen. Then select **Set wallpaper** option.
- 2 Tap one of the following options in the window that appears.
 - **Home Screen** : Set the wallpaper for the **Home Screen**.
 - **Login Screen** : Set the wallpaper for the **Login Screen**. To use this feature, you may need to log-in as an administrator (see "Log-in" on page 311).
 - **Home and Login Screen** : Set the wallpaper for both screens. To use this feature, you may need to log-in as an administrator (see "Log-in" on page 311).
- 3 Tap one of the following options in the next window that appears.
 - **Gallery**: Select a wallpaper from photographs and images in the machine's gallery.
 - **Live wallpapers**: Select an animated image.
 - **Wallpapers**: Select from several built-in stationary images.
- 4 Select a wallpaper and tap **OK**, **Set wallpaper**, or **Cancel**.

Notification Bar

The notification bar includes a pull-down list to show information about currently running processes, toner status, screen brightness, and recent notifications.



On the home screen, touch and hold the notification bar until the pull-down appears, then drag down to expand it.

Display screen and useful menu

Job Status

When you tap **Job Status** from the home screen or **Apps**, the screen lists **Current Job**, **Completed Job**, **Secure Print**, **Secure Fax** and **Active Notice**.

Current Job

Displays a list of jobs in progress and pending.

Completed Job

Displays a list of the completed jobs, including information about jobs in which an error has occurred.

Secure Print / Fax

Displays a list of secured jobs. For secured print, You need to enter the **ID** and **Password** set in the printer driver set in the printer (see "Print Mode" on page 81). For secured fax, you need to enter the **Password**.

Active Notice

Displays any error messages and codes that have occurred.

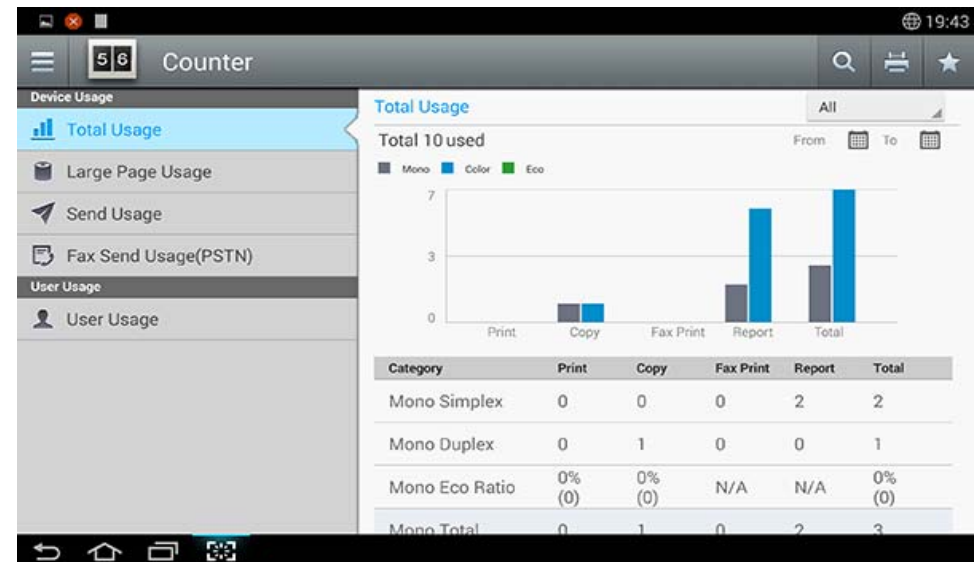
Counter

You can check how many pages/jobs were printed, copied, scanned, and faxed-out. You can check the counter by device or users.

Tab **Counter** from the home screen or **Apps**.








You can also use this feature from the SyncThru™ Web Service. Open the Web browser from your networked computer and type the IP address of your machine. When SyncThru™ Web Service opens, click **Information** tab > **Usage Counters** (see "Counter" on page 35).



Display screen and useful menu

Command keys

Button	Name	Description
	Quick Menu	Open the quick menu.
	Search	Search for a desired menu or app.
	Print	You can print a usage counter report.
	My Program	Open a list of the apps you added.
All	Period	Select the period of checking counter.
	From, To	Set the period of checking counter.

Understanding the Counter menu

- **Total Usage:** Each category shows the usage count by job types (**Print, Copy, Fax Print, Report, Total**).
 - All : Tap and select
- **Large Page Usage:** Shows the count of A3 jobs.
- **Send Usage:** Shows the count of **Send** (**Email, SMB, FTP, USB, PC, Others**) jobs.
- **Fax Send Usage(PSTN):** Shows the count of Fax Send Usage.

- **User Usage** (Login user only): Each category shows the printing usage by user.



To use **User Usage**, you may need to select to **Application Authentication** and **Standard Accounting Only** from **Settings > Admin Settings > Security > Mode** or **Method** on the home screen or **Apps**.

USB

To use the USB feature, tap **Box > USB** on the home screen or **Apps** (see "Using a USB drive device" on page 218).



To use this feature, you need to insert a USB memory device into the USB port on your machine.

Display screen and useful menu

Help




Help provides online information to help with your machine questions.

The **Help** app provides information about the menus and functions available in the machine. Use the pane on the left side of the screen to navigate the **Help** app. You can also select the headings below each section to browse the help topics.

- 1 Tap **Help** from the home screen or **Apps**.

The **Help** screen is displayed.

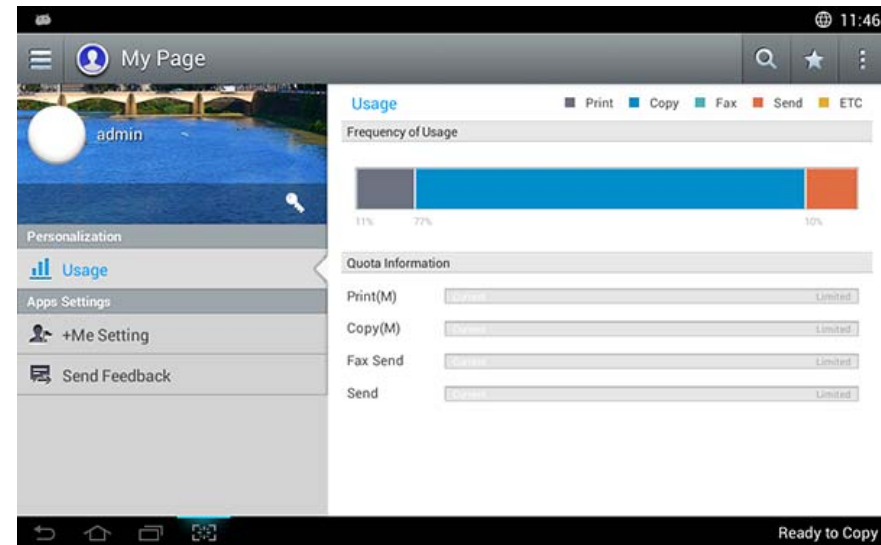
- 2 Select a topic and follow the built-in navigation.

 Click the  (**Help**) from the home screen or  (quick menu) and then click on any option you want to know about.

My Page






The **My Page** app allows you to easily change your profile information and settings. Your **My Page** profile stores your contact information as well as your personal settings. You can use these settings to personalize the machine to suit your usage habits and accessibility needs.

To use this feature, tap **My Page** on the home screen or **Apps**.



Display screen and useful menu

Command keys

Button	Name	Description
	Quick Menu	Open the quick menu.
	Search	Search for a desired menu or app.
	My Program	Open a list of the apps you added.
	Sub menu (Action overflow)	Open the sub menu.
	Change Password	Allows you to change the password.

Understanding the My Page menu

Allows you to modify various settings to make your experience using the machine more enjoyable.

- **Personalization**

- **Usage:** The Frequency of Usage graph shows how many print, copy, fax, send, or other jobs you have performed, while the quota information indicates how close you are to your usage quotas.

- **Apps Settings**

- **+Me Setting:** The **+Me setting** setting specifies whether or not the machine sends information about your usage to the Box or another destination. You can also specify where your usage information is sent.
- **Send Feedback:** The **Send Feedback** setting specifies whether or not the machine sends information about your usage to the manufacturer. Sending feedback helps the manufacturer improve the machine through updates or patches.

Understanding the pop-up keyboard

You can enter letters, numbers, or special symbols using the pop-up keyboard on the display screen. This keyboard uses the standard QWERTY layout for ease of use.

When you touch an input area, the keyboard pops up on the screen. The keyboard initially shows lowercase letters.



- ABC Mode(**ABC**): Tap this key to return the keyboard layout to the default letter keys. Use the Shift key (**⇧**) to toggle between lower-case and upper-case letters.
- Space bar(**English (US)**): Tap this key to enter a space.

- Shift key(**⇧**): Tap this key to enter one upper-case letter. Tap this key twice to toggle caps-lock.
- Symbol/Numeric Mode(**?123**): Tap this key to enter numbers, symbols, and emoticons.

Installing the driver locally

A locally connected machine is a machine directly attached to your computer using the cable. If your machine is attached to a network, skip the following steps below and go on to installing a network connected machine's driver (see "Installing driver over the network" on page 344).



- The installation window in this User's Guide may differ depending on the machine and interface in use.
- Only use a USB cable no longer than 3 meters (118 inches).

Windows

- 1 Make sure that the machine is connected to your computer and powered on.
- 2 Insert the supplied software CD into your CD-ROM drive.



If the installation window does not appear, click **Start > All programs > Accessories > Run**.

X:**Setup.exe** replacing "X" with the letter, which represents your CD-ROM drive and click **OK**.

- For Windows 8,
If the installation window does not appear, from **Charms**, select **Search > Apps** and search for **Run**. Type in X:\Setup.exe, replacing "X" with the letter that represents your CD-ROM drive and click **OK**.
If "**Tap to choose what happens with this disc.**" pop-up window appears, click the window and select **Run Setup.exe**.

- 3 Review and accept the installation agreements in the installation window. Then, click **Next**.
- 4 Select **USB** on the **Printer Connection Type** screen. Then, click **Next**.
- 5 Follow the instructions in the installation window.

Installing the driver locally

From the Windows 8 Start Screen

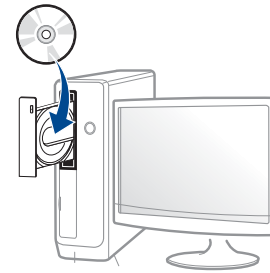


- The V4 driver is automatically downloaded from the Windows Update if your computer is connected to the Internet. If not, you can manually download the V4 driver from Samsung website, <http://www.hp.com/go/Samsung>.
- You can download Samsung Printer Experience app from the Windows Store. You need have a Microsoft account to use the Windows Store. **1** From **Charms**, select **Search**.
2 Click **Store**.
3 Search and click **Samsung Printer Experience**.
4 Click **Install**.
- If you install the driver using the supplied software CD, V4 driver is not installed. If you want to use the V4 driver in the **Desktop** screen, you can download from the Samsung website, <http://www.hp.com/go/Samsung>.
- If you want to install Samsung's printer management tools, you need to install them using the supplied software CD.

- 1** Make sure that your computer is connected to the Internet and powered on.
- 2** Make sure that the machine is powered on.
- 3** Connect the computer and the machine with a USB cable.
The driver is automatically installed from the **Windows Update**.

Mac

- 1** Make sure that the machine is connected to your computer and powered on.
- 2** Insert the supplied software CD into your CD-ROM drive.



- 3** Double-click the CD-ROM icon that appears on your Mac desktop.
 - For Mac OS X 10.8 or higher, double-click the CD-ROM that appears on **Finder**.
- 4** Double-click the **MAC_Installer** folder > **Installer OS X** icon.
- 5** Click **Continue**.
- 6** Read the license agreement and click **Continue**.
- 7** Click **Agree** to agree to the license agreement.

Installing the driver locally

- 8 Click **Install**. All components necessary for machine operations will be installed.
If you click **Customize**, you can choose individual components to install.
- 9 Enter the password and click **OK** (or **Install Software**).
- 10 Select **USB Connected Printer** on the **Printer Connection Type** and click **Continue**.
- 11 Click **Add Printer** button to select your printer and add it to your printer list.
- 12 After the installation is finished, click **Close**.

Linux

You need to download Linux software packages from the Samsung website to install the printer software (<http://www.hp.com/go/Samsung>).

Installing the Unified Linux Driver



You must log in as a super user (root) to install the machine software. If you are not a super user, ask your system administrator.

- 1 Make sure that the machine is connected to your computer and powered on.
- 2 Copy **Unified Linux Driver** package to your system.
- 3 Open Terminal program and go to the folder that you copied the package to.
- 4 Extract the package.
- 5 Move to **uld** folder.
- 6 Execute `./install.sh` command (If you're not logged in as root, execute the command with **sudo** as `sudo ./install.sh`)
- 7 Proceed with installation.
- 8 When installation finished, launch printing utility(Go to **System** > **Administration** > **Printing** or execute `system-config-printer` command in Terminal program).
- 9 Click **Add** button.
- 10 Select your printer.
- 11 Click **Forward** button and add it to your system.

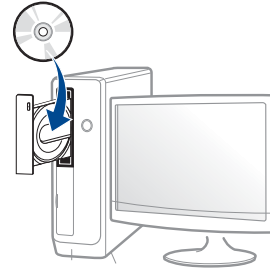
Reinstalling the driver

If the printer driver does not work properly, follow the steps below to reinstall the driver.

Windows

- 1 Make sure that the machine is connected to your computer and powered on.
- 2 From the **Start** menu, select **Programs** or **All Programs** > **Samsung Printers** > **Uninstall Samsung Printer Software**.
 - For Windows 8,
 - 1 From Charms, select **Search** > **Apps**.
 - 2 Search and click **Control Panel**.
 - 3 Click **Programs and Features**.
 - 4 Right-click the driver you want to uninstall and select **Uninstall**.
 - 5 Follow the instructions in the window.
- 3 Follow the instructions in the installation window.

- 4 Insert the software CD into your CD-ROM drive and install the driver again (see "Installing the driver locally" on page 40).



From the Windows 8 Start Screen

- 1 Make sure that the machine is connected to your computer and powered on.
- 2 Click on the **Uninstall Samsung Printer Software** tile in the **Start** screen.
- 3 Follow the instructions in the window.



- If you cannot find a Samsung Printer Software tile, uninstall from the desktop screen mode.
- If you want to uninstall Samsung's printer management tools, from the **Start** screen, right-click the app > **Uninstall** > right-click the program you want to delete > **Uninstall** and follow the instruction in the window.

Reinstalling the driver

Mac

If the printer driver does not work properly, uninstall the driver and reinstall it.

- 1 Open the **Applications** folder > **Samsung** > **Printer Software Uninstaller**.
- 2 To uninstall printer software, click **Continue**.
- 3 Check the program you want to delete and click **Uninstall**.
- 4 Enter the password and click **OK**.
- 5 After the uninstallation is finished, click **Close**.



If a machine has already been added, delete it from the **Print Setup Utility** or **Print & Fax**.

Linux

If the printer driver does not work properly, uninstall the driver and reinstall it.

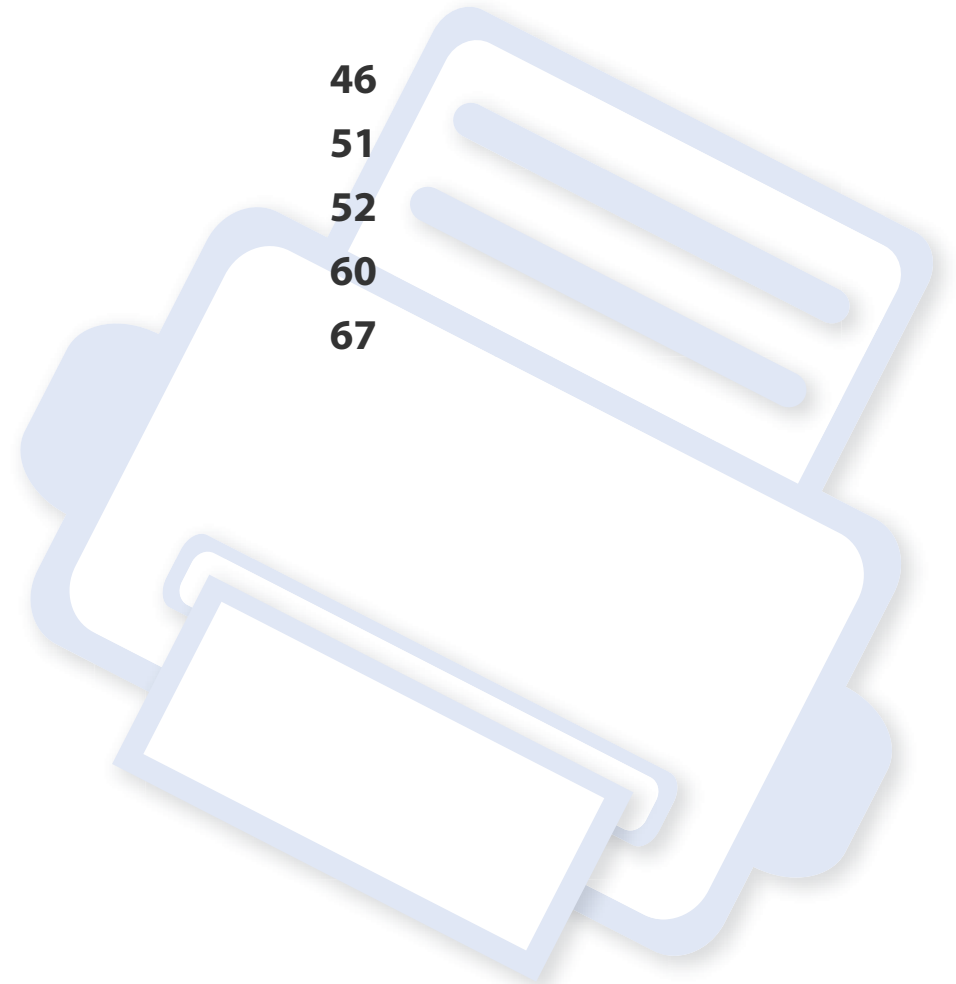
- 1 Open **Terminal** program.
- 2 Move to **uld** folder extracted from **Unified Linux Driver** package.
- 3 Execute "**./uninstall.sh**" command (If you're not logged in as root, execute the command with "**sudo**" as "**sudo ./uninstall.sh**")
- 4 Proceed with uninstallation.



2. Media and Tray

This chapter provides information on how to load originals and print media into your machine.

- **Loading originals** 46
- **Selecting print media** 51
- **Loading paper in the tray** 52
- **Printing on special media** 60
- **Tray Settings** 67



Loading originals

You can load originals on the scanner glass or in the dual scan document feeder (DSDF) for copying, scanning, and faxing.

On the scanner glass

Make sure that no originals are in the DSDF. If an original is detected in the DSDF, the machine gives it priority over the original on the scanner glass. To get the best scan quality, especially for colored or gray-scaled images, use the scanner glass.

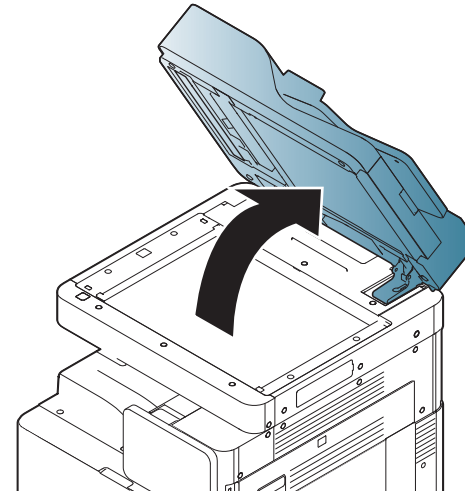


When you place an original on the scanner glass, leave a little space between the edge of the scanner glass and the edge of the original. Otherwise, the machine may not scan the entire original.

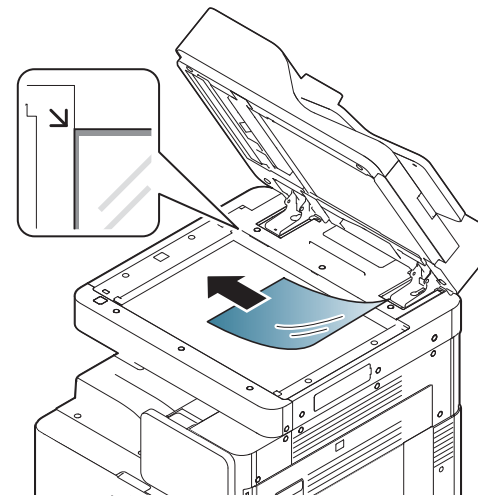
Preparing originals

- Do not load paper smaller than 25 x 25 mm (1.0 x 1.0 inch) or larger than 297 x 432 mm (11.7 x 17 inches).
- Make sure any glue, ink, or correction fluid on the paper is completely dry before loading the original.

- 1 Open the DSDF.



- 2 Place the original face down on the scanner glass and align it with the registration guide at the top left corner of the glass.



Loading originals

3 Close the DSDF.



- Leaving the DSDF open while copying may affect copy quality and toner consumption.
- Dust on the scanner glass may cause black spots on the printout. Always keep it clean.
- If you are copying a page from a book or magazine, lift the DSDF until its hinges are caught by the stopper and then close the lid. If the book or magazine is thicker than 30 mm (1 inch), start copying with the lid open.



- Be careful not to break the scanner glass. You may get hurt.
- Do not put your hands on the scanner glass when closing the DSDF. The DSDF may fall on your hands and cause an injury.
- Do not look at the light inside of the scanner while copying or scanning. Doing so may harm your eyes.

In the dual scan document feeder (DSDF)

Preparing originals

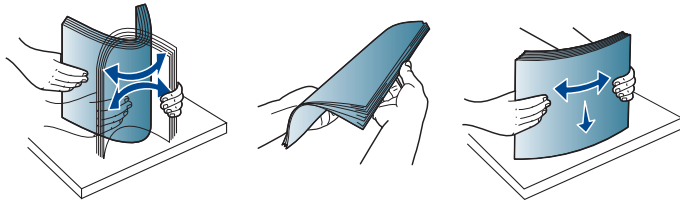
- Do not load paper smaller than 148 x 210 mm (5.9 x 8.3 inches) or larger than 297 x 432 mm (11.7 x 17 inches).
- The DSDF can automatically detect A3, A4 LEF, A4 SEF, B4, B5 LEF, B5 SEF, A5 LEF, A5 SEF, Ledger, Legal, Letter LEF, Letter SEF, Statement LEF, and Statement SEF-sized originals.
- Do not load the following types of paper in order to prevent paper jams, low print quality, and machine damage:
 - Carbon paper or carbon-backed paper
 - Coated paper
 - Onion skin or thin paper
 - Wrinkled or creased paper
 - Curled or rolled paper
 - Torn paper
- Remove all staples and paper clips from the original before loading it in the DSDF.
- Make sure any glue, ink, or correction fluid on the paper is completely dry before loading the original.
- Do not load originals that include different sizes or weights of paper.

Loading originals

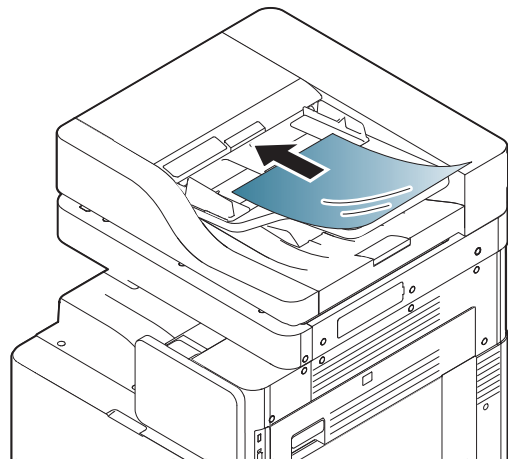
- Do not load booklets, pamphlets, transparencies, or documents with other unusual characteristics.

You can load up to 100 sheets of paper (80 g/m², 20 lb bond) in the DSDF for one job.

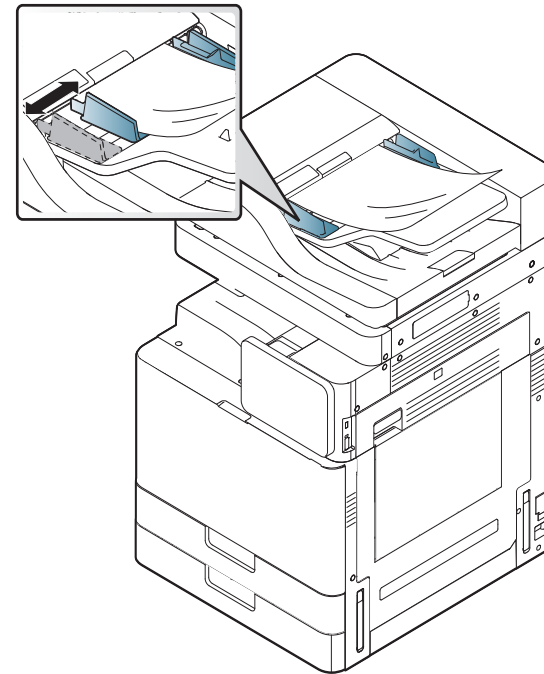
- 1 Flex and fan the edge of the stack of originals to separate the pages before loading the originals.



- 2 Load the originals face up in the DSDF. Make sure that the back edge of the stack lines up with the paper size marked on the document input tray.



- 3 Adjust the document width guides to the paper size.



Dust on the DSDF glass may cause black lines on the printout. Always keep the glass clean.

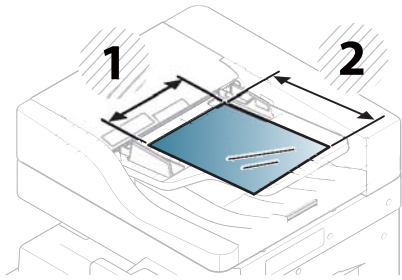
Loading originals

Loading mixed sizes of originals

The machine can automatically detect a variety of paper sizes using the DSDF. When loading different sized originals, align all of the papers in the top left corner of the DSDF. The following tables outline the paper sizes that the machine can detect.



- SEF meaning is Short Edge Feed.
- LEF meaning is Long Edge Feed.



- 1 Width
- 2 Length

Metric sizes (mm)

Max width	Permitted mixes	Length
A3/A4_LEF	A3	420
	A4_LEF	210
	B4	364
	B5_LEF	182
	A4_SEF	297
	A5_LEF	148.5
B4/B5_LEF	B4	364
	B5_LEF	182
	A4_SEF	297
	A5_LEF	148.5
	B5_SEF	257
A4_SEF/ A5_LEF	A4_SEF	297
	A5_LFE	148.5
	B5_SEF	257
	A5_SEF	210

Loading originals

Imperial sizes (inch)

Max width	Permitted mixes	Length
Ledger/ LTR_LEF	Ledger	432
	LTR_LEF	215.9
	Legal	355.6
	LTR_SEF	279
	ST_LEF	139.7
B4/B5_LEF	Legal	355.6
	LTR_SEF	279
	ST_LEF	139.7
	ST_SEF	215.9

Selecting print media

You can print on a variety of print media, such as plain paper, envelopes, labels, and transparencies. Always use print media that meet the guidelines for use with your machine.

Guidelines to select print media

Print media that does not meet the guidelines outlined in this user's guide may cause the following problems:

- Poor print quality
- Increased paper jams
- Premature wear on the machine.

Properties, such as weight, composition, grain, and moisture content, are important factors that affect the machine's performance and the output quality.

When you choose print materials, consider the following:

- The type, size, and weight of the print media for your machine are described in print media specifications (see "Print media specifications" on page 278).
- Desired outcome: The print media you choose should be appropriate for your project.
- Brightness: Some print media are whiter than others and produce sharper, more vibrant images.
- Surface smoothness: The smoothness of the print media affects how crisp the printing looks on the paper.



- Some print media may meet all of the guidelines in this user's guide and still not produce satisfactory results. This may be the result of the sheets characteristics, improper handling, unacceptable temperature and humidity levels, or other variables over which cannot be controlled.
- Before purchasing large quantities of print media, ensure that it meets the requirements specified in this user's guide.



- Using print media that does not meet these specifications may cause problems or require repairs. Such repairs are not covered by Samsung's warranty or service agreements.
The amount of paper put into the tray may differ according to media type used (see "Print media specifications" on page 278).
- Make sure not to use the inkjet photo paper with this machine. It could cause damage to the machine.
- Using inflammable print media can cause a fire.
- Use designated print media (see "Print media specifications" on page 278).



The use of inflammable media or foreign materials left in the printer may lead to overheating of the unit and, in rare cases may cause a fire.

The amount of paper put into the tray may differ according to media type used (see "Print media specifications" on page 278).

Loading paper in the tray

Standard tray / optional dual cassette feeder

Load the print media you use for the majority of your print jobs into the standard tray. The standard tray can hold a maximum of 1,040 sheets of plain paper.

You can purchase an optional dual cassette feeder and attach it below the standard tray to load an additional 1,040 sheets of plain paper.

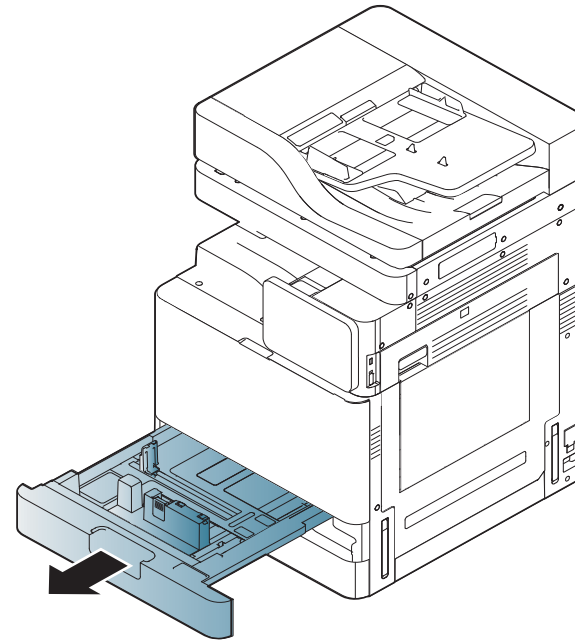


- Standard tray contains two trays. (Tray 1, Tray 2)
- Optional dual cassette feeder contains two trays. (Tray 3, Tray 4)
- The process to load paper in tray 1, tray 2, tray 3, and tray 4 is the same.



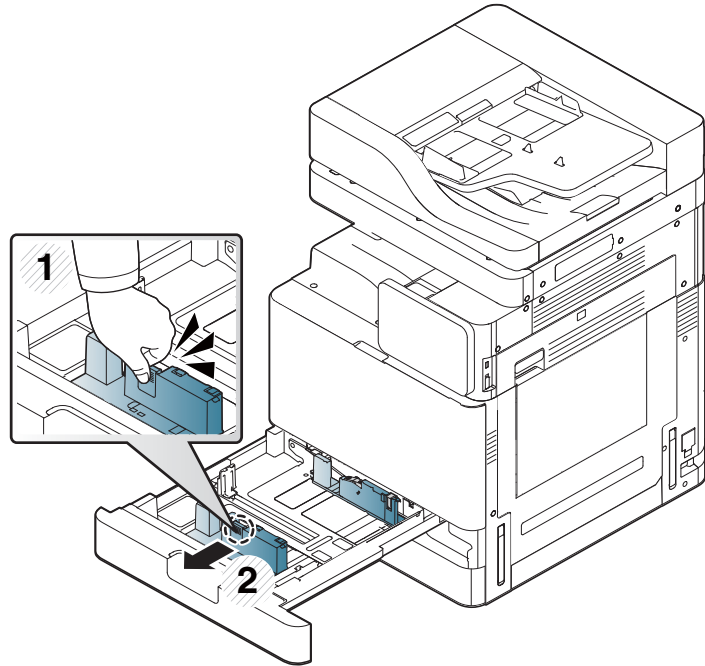
Using photographic paper or coated paper may cause problems, that require repairs. Such repairs are not covered by the warranty or service agreements.

- 1 Squeeze the handle and pull out the tray.



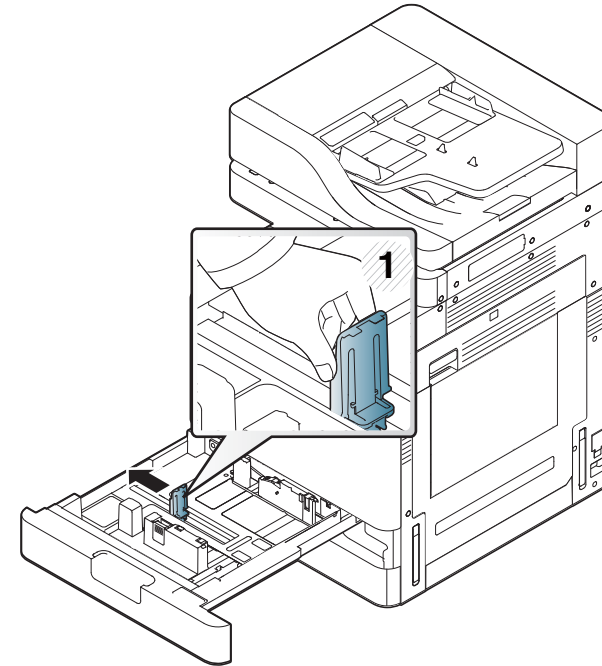
Loading paper in the tray

- 2** Squeeze the paper length guide, and pull it to the end of the tray.



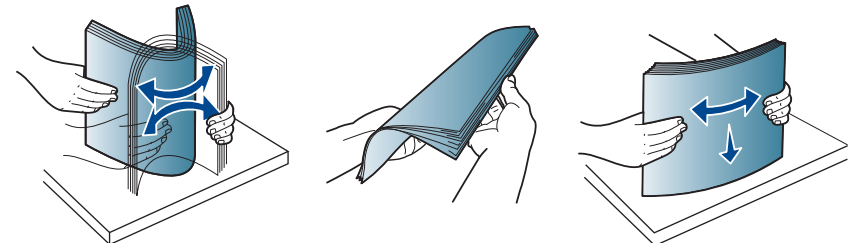
1 Paper length guide

- 3** Squeeze the paper width guide, and pull it to the end of the tray.



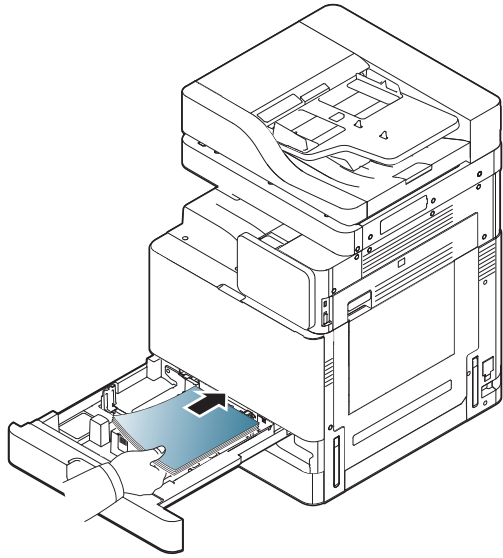
1 Paper width guide

- 4** Flex and fan the edge of the paper stack to separate the pages before loading papers.

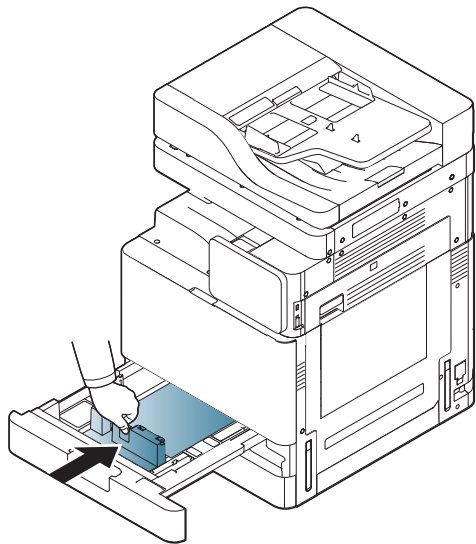


Loading paper in the tray

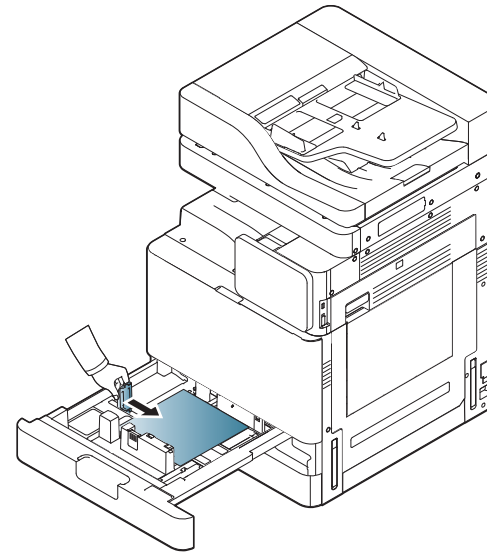
- 5 Load paper with the print side facing up.



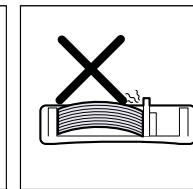
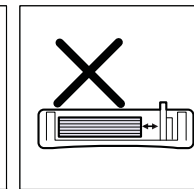
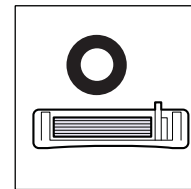
- 6 Adjust the paper length guide to the desired paper length.



- 7 After loading paper into the tray, pinch the paper width guide and move it toward the stack of paper until it lightly touches the side of the stack. Do not press the guide too tightly to the edge of the paper: the guide may bend the paper.



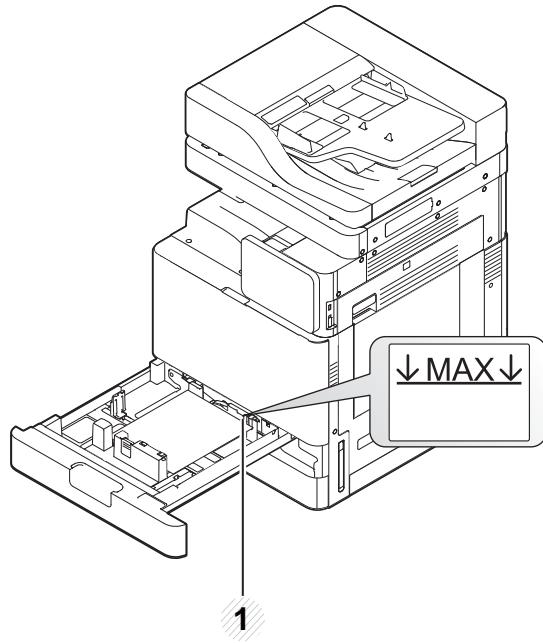
- Do not push the paper guide too far causing the media to warp.
- If you do not adjust the paper width guide, it may cause paper jams.



Loading paper in the tray

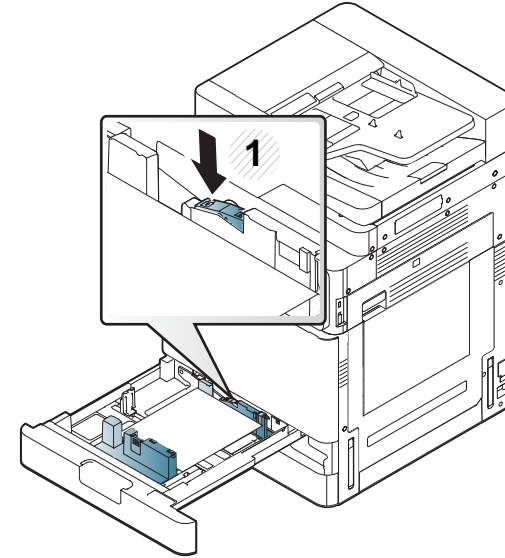


Do not overload the tray: it may cause paper jams. Make sure that the paper is below the maximum paper capacity guide inside the tray.



1 Paper capacity guide

- 8 Fix the the paper length guide using the locking switch. Release the locking switch to load a different sized paper.



1 Locking switch

Loading paper in the tray

- 9 Insert the tray back into the machine.

When you print a document, set the paper type and size for the tray.

For information about setting the paper type and size on the control panel (see "Tray Settings" on page 67).

The standard tray and optional dual cassette feeder can automatically detect various-sized paper (see "Media sizes automatically detected" on page 59).

If you set the **Tray Confirmation Message ON** in **Tray Settings**, the confirmation window appears automatically.

Check if the paper size and type in the tray are detected or not. If you want to set the paper size and type or if the machine cannot detect them, you can set the size and type directly in the confirmation window.



- If you experience problems with paper feeding, check whether the paper meets the media specifications (see "Print media specifications" on page 278). Then, try placing one sheet at a time in the multi-purpose tray (see "Multi-purpose tray" on page 56).
- The settings made from the machine driver override the settings on the control panel.
To print from an application:
 - a Open an application and start the print menu.
 - b Open **Printing Preferences** (see "Opening printing preferences" on page 73).
 - c Press the **Paper** tab in **Printing Preferences**, and select an appropriate paper type, size, and source.
 - d Press **OK**.
 - e Start printing from an application.

Multi-purpose tray

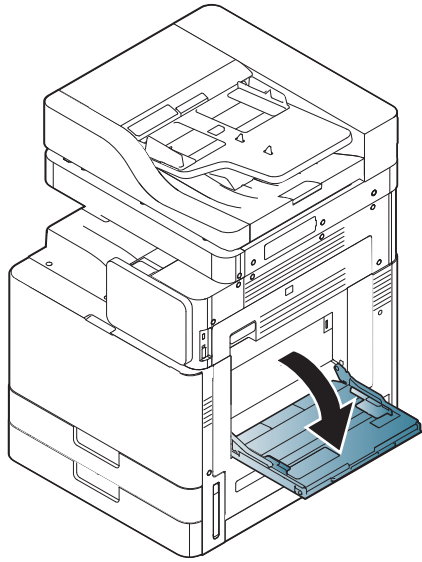
The multi-purpose tray can hold special sizes and types of print material, such as postcards, note cards, and envelopes. It is useful for single page printing on colored paper.

Tips on using the multi-purpose tray

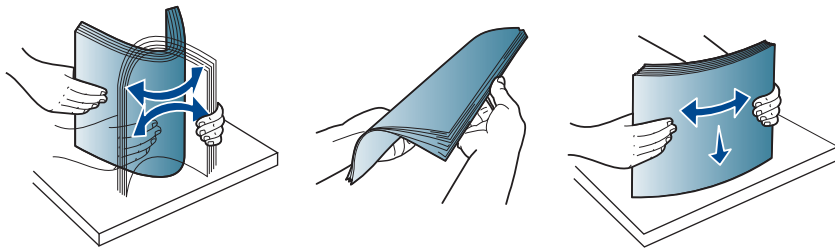
- Load only one type, size, and weight of print media at a time in the multi-purpose tray.
- To prevent paper jams, do not add paper while printing when there is still paper in the multi-purpose tray. This also applies to other types of print media.
- Print media should be loaded face down with the top edge going into the multi-purpose tray first and be placed in the center of the tray.
- Always load only the specified print media to avoid paper jams and print quality problems (see "Print media specifications" on page 278).
- Flatten any curl on postcards, envelopes, and labels before loading them into the multi-purpose tray.

Loading paper in the tray

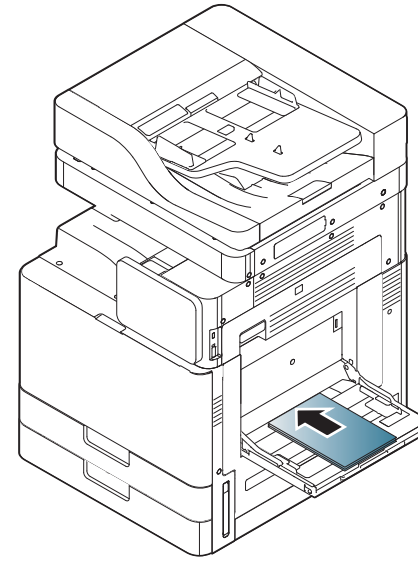
- 1 Open the multi-purpose tray and pull out the extension if necessary.



- 2 Flex or fan the edge of the paper stack to separate the pages before loading originals.

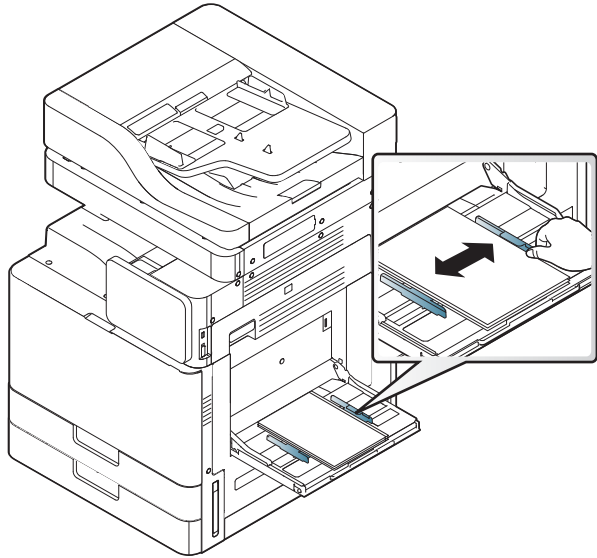


- 3 Load the paper with the side to be printed on facing down.



Loading paper in the tray

- 4 Squeeze the multi-purpose tray paper width guides and adjust them to the width of the paper. Do not force too much, otherwise the paper will bend resulting in a paper jam or skew.



- 5 When you print a document, set the paper type and size for the multi-purpose tray (see "Media sizes automatically detected" on page 59).

For information about setting the paper type and size on the control panel (see "Tray Settings" on page 67).



The settings made from the machine driver override the settings on the control panel.

To print from an application:

- a Open an application, and start the print menu.
- b Open **Printing Preferences** (see "Opening printing preferences" on page 73).
- c Press the **Paper** tab in **Printing Preferences**, and select an appropriate paper type, size, and source.
- d Press **OK**.
- e Start printing from an application.

Loading paper in the tray

Media sizes automatically detected

This machine can automatically detect various sized-paper. Refer to the table below.

size ^a (Plain)	Standard tray1,2	Optional dual cassette feeder	Multi-purpose tray	Duplex printing
Letter SEF ^b	●	●	●	●
Letter LEF ^c	●	●	●	●
Ledger / Tabloid SEF	●	●	●	●
Tabloid Extra SEF	●	●	●	●
Legal SEF	●	●		●
Executive SEF			●	●
Statement SEF	●	●	●	●
A3 SEF	● (Tray2 only)	●	●	●
A4 SEF	●	●	●	●
A4 LEF	●	●	●	●
A5 SEF	●	●	●	●

size ^a (Plain)	Standard tray1,2	Optional dual cassette feeder	Multi-purpose tray	Duplex printing
B4 SEF	●	●	●	●
JIS B5 SEF	●	●		●
JIS B5 LEF			●	●
A6 SEF			●	
B6 SEF			●	
SRA3 SEF	● (Tray2 only)	●		●
Folio SEF	●	●		●

a. This machine can detect paper of similar sizes as the listed paper sizes.

b. SEF(Short Edge Feed)

c. LEF(Long Edge Feed)

(●: Supported, Blank: Not Supported)

Printing on special media

The table below shows the available special media for each tray.



When using special media, we recommend you feed one piece of paper at a time. Check the maximum input number of media for each tray (see "Print media specifications" on page 278).

Types (A4)	Standard tray/ optional dual cassette feeder	Multi-purpose tray
Plain	•	•
Thick	•	•
Heavy weight	•	•
Extra Heavy weight 1	•	•
Extra Heavy weight 2	•	•
Extra Heavy weight 3	•	•
Extra Heavy weight 4		•
Thin	•	•
Cotton	•	•
Colored	•	•
Preprinted	•	•
Recycled	•	•

Types (A4)	Standard tray/ optional dual cassette feeder	Multi-purpose tray
Bond	•	•
Archive	•	•
Letterhead	•	•
Hole Punched	•	•
Thin Cardstock	•	•
Thick Cardstock	•	•
Heavy Cardstock	•	•
Extra Heavy Cardstock 1	•	•
Extra Heavy Cardstock 2		•
Thin Glossy	• (Standard tray only)	•
Thick Glossy	• (Standard tray only)	•
Heavy Glossy	• (Standard tray only)	•
Transparency	• (Standard tray only)	•

Printing on special media

Types (A4)	Standard tray/ optional dual cassette feeder	Multi-purpose tray
Labels	● (Standard tray only)	●
Envelope	● (Tray1 only)	●
Thick Envelope	● (Tray1 only)	●

(●: Supported, Blank: Not Supported)



The media types are shown in the **Printing Preferences**. This paper type option allows you to set the type of paper to be loaded in the tray. This setting appears in the list so that you can select it. This will let you get the best quality printout. If not, the desired print quality may not be achieved.

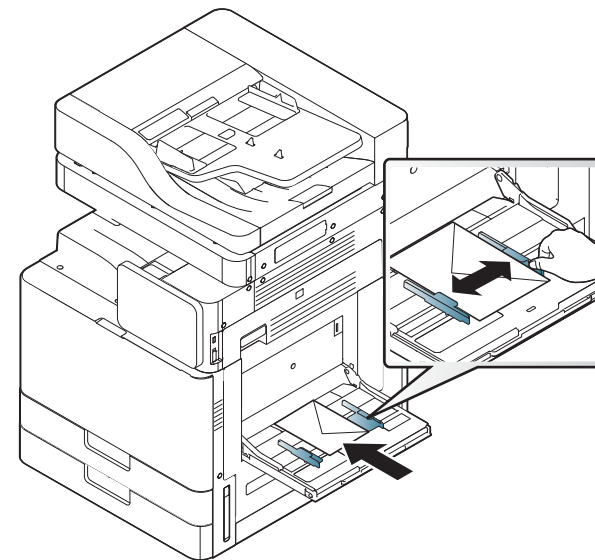
Envelope

Successful printing on envelopes depends upon the quality of the envelopes.

To print an envelope, place it with the flap side up.



Before you load envelopes in the MP tray, flex the stack of envelopes and firmly flatten the edges of the envelopes in order to improve the printing quality.

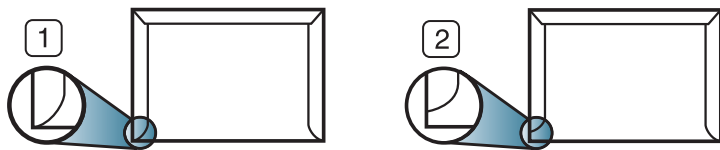


- When selecting envelopes, consider the following factors:
 - **Weight:** The weight of the envelope paper should not exceed 90 g/m² (16 lb) otherwise, a jam may occur.

Printing on special media

- **Construction:** Prior to printing, envelopes should lie flat with less than 6 mm (0.25 inches) curl and should not contain air.
- **Condition:** Envelopes should not be wrinkled, nicked, damp, or damaged.
- **Temperature:** Use envelopes that are compatible for use in Laser Printers.

- Use only well-constructed envelopes with sharp and well-creased folds.
- Do not use stamped envelopes.
- Do not use envelopes with clasps, snaps, windows, coated lining, self-adhesive seals, or other synthetic materials.
- Do not use damaged or poorly made envelopes.
- Be sure the seam at both ends of the envelope extends all the way to the corner of the envelope.



- 1 Acceptable
- 2 Unacceptable

- Envelopes with a peel-off adhesive strip or with more than one flap that folds over to seal must use adhesives compatible with the machine's fusing temperature of about 170°C (338 °F) for 0.1 second. The extra flaps and strips might cause wrinkling, creasing, or jams, and may even damage the fuser.
- For the best print quality, position margins no closer than 15 mm (0.6 inches) from the edges of the envelope.

- Avoid printing over the area where the envelope's seams meet.



- Do not attempt to print on the back of envelopes.
- Wrinkles may appear while printing envelopes.

Printing on special media

Transparency

To avoid damaging the machine, use only transparencies designed for use in laser printers.



- In case of color printing using transparencies, the picture quality would be lower than mono printing when the printouts are used on the overhead projector.

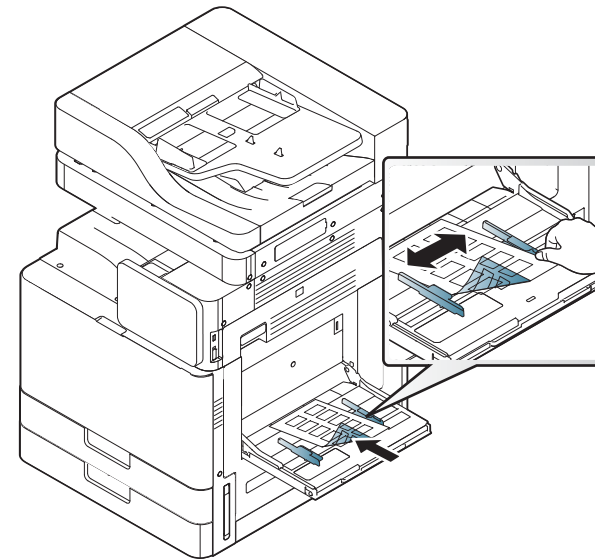
- Transparencies used in the machine must be able to withstand the machine's fusing temperature.
- Place them on a flat surface after removing them from the machine.
- Do not leave unused transparencies in the paper tray for long periods of time. Dust and dirt may accumulate on them, resulting in spotty printing.
- To avoid smudging caused by fingerprints, handle them carefully.
- To avoid fading, do not expose printed transparencies to prolonged sunlight.
- Ensure that transparencies are not wrinkled, curled, or have any torn edges.
- Do not use transparencies that separates from the backing sheet.
- To prevent transparencies from sticking to each other, do not let the printed sheets stack up as they are begin printed out.
- Recommended media: Transparency for a color laser printer by Xerox, such as 3R 91331(A4), 3R 2780(Letter).

- Prints made on transparency film with this printer are not compatible with overhead projectors and may appear as a black and white image if projected.

Labels

Load the paper with the side to be printed on facing down.

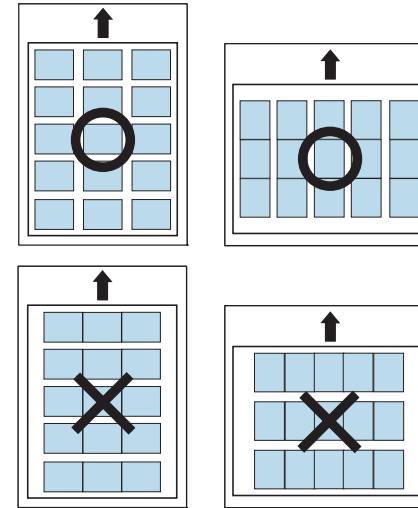
To avoid damaging the machine, use only labels designed for use in laser machines.



- When selecting labels, consider the following factors:
 - **Adhesives:** The adhesive material should be stable at your machine's fusing temperature of about 170°C (338 °F) for 0.1 second.

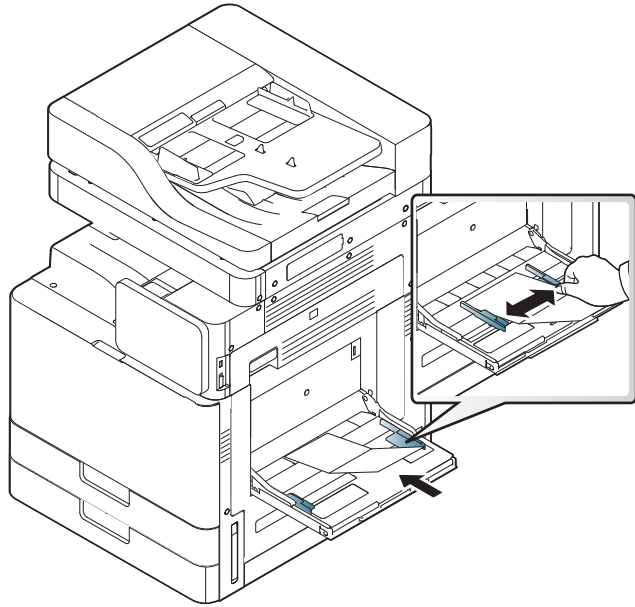
Printing on special media

- **Arrangement:** Only use labels with no exposed backing between them. Labels can peel off sheets that have spaces between the labels, causing serious jams.
 - **Curl:** Prior to printing, labels must lie flat with no more than 13 mm (0.5 inches) of curl in any direction.
 - **Condition:** Do not use labels with wrinkles, bubbles, or other indications of separation.
 - Make sure that there is no exposed adhesive material between labels. Exposed areas can cause labels to peel off during printing, which can cause paper jams. Exposed adhesive can also cause damage to machine components.
 - Do not run a sheet of labels through the machine more than once. The adhesive backing is designed for only a single pass through the machine.
 - Do not use labels that are separating from the backing sheet or are wrinkled, bubbled, or damaged.
- Do not load paper that does not have space between labels running the same direction as the paper is being fed. Otherwise, it could cause paper jams.



Printing on special media

Card stock/ Custom-sized paper



- Do not print on media smaller than 98 mm (3.8 inches) wide or 148 mm (5.8 inches) long.
- In the software application, set margins to at least 6.4 mm (0.25 inches) away from the edges of the material.

Letterhead/Preprinted paper

	Single-sided	Double-sided
Standard tray/ Optional dual cassette feeder	Face up	Face down
Multi-purpose tray	Face down	Face up

- Preprinted paper must be printed with heat-resistant ink that will not melt, vaporize, or release hazardous emissions when subjected to the machine's fusing temperature of about 170°C (338 °F) for 0.1 second.
- Preprinted paper ink must be non-flammable and should not adversely affect machine rollers.
- Forms should be sealed in a moisture-proof wrapping to prevent changes during storage.
- Before you load preprinted paper, verify that the ink on the paper is dry. During the fusing process, wet ink can come off preprinted paper, reducing print quality.

Printing on special media

Glossy

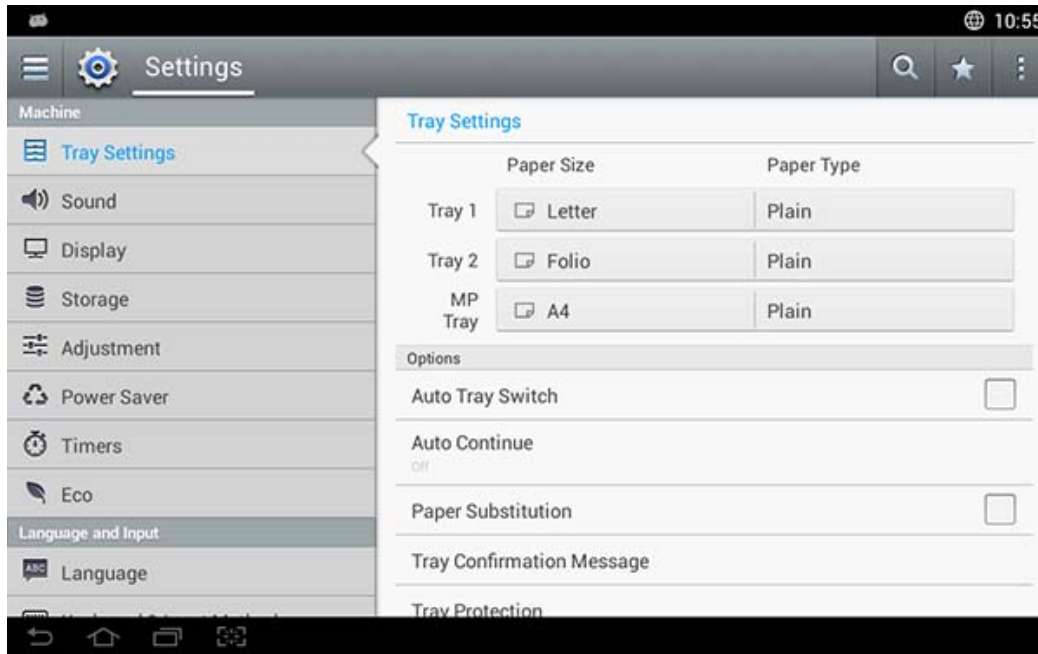


Load a single sheet of paper into the multi-purpose tray at a time, glossy side facing down.

- Recommend media: Glossy paper (Letter) for this machine by HP Brochure Paper (Product: Q6611A) only.
- Recommend media: Glossy paper (A4) for this machine by HP Superior Paper 160 glossy (Product: Q6616A) only.

Tray Settings

To change detailed tray settings, tap **Settings > Tray Settings** and select the tray and options you want on the display screen.



- **Tray 1, Tray 2, MP Tray :** You can set the **Paper Size** and **Paper Type**.
- **Tray 3, Tray 4, Tray 5 :** You can set the **Paper Size** and **Paper Type**.



If the optional DCF, HCF, LCT are installed, you can use this functions.

- **Paper Size:** Allows you to change the paper size.
 - You can change the paper list on the display screen. The paper lists are divided into the available A/B type and letter type paper in this machine.

- If there is no required size paper or you need to use custom sized paper, press the cardinal point arrows to set the paper size. You can also set and save the custom size using **Custom Size**. You can select the custom size whenever you need it.

- **Paper Type:** Allows you to change the paper type.

Options

Scroll through the options by swiping up and down.

- **Auto Tray Switch:** Determine whether or not the machine continues printing when it detects the paper does not match. For example, if both tray 1 and tray 2 are filled with the same size paper, the machine automatically prints from tray 2 after the tray 1 runs out of paper.
- **Auto Continue:** This option allows you to continue printing when the paper size you have set is mismatched with the paper in the tray. When this option is activated, the machine continues printing using similar or large size paper. If this option is inactivated, the machine waits until the required size paper is loaded in the tray.
- **Paper Substitution:** When the requested paper for a print job is not available in the tray, this feature allows you to substitute similar paper size. For example, if the requested letter sized paper is not available in the tray, this machine substitutes A4 for the requested paper.



When the paper is substituted, some image loss may occur.

Tray Settings

- **Tray Confirmation Message:** When you load paper into a tray, you can set the confirmation message to appear automatically. This machine can detect some paper sizes and types automatically. If you want to set the paper size and type, or the machine cannot detect them, you can set the size and type directly in the confirmation window.
- **Tray Protection:** If you set tray 1 to **On**, for example, then tray 1 is excluded during tray switching.



This setting works for copy or print jobs: It doesn't affect fax jobs.

- **Tray Priority Settings:** You can set the tray priority. If first setting is tray 1, the machine automatically prints from tray 1 after the second setting tray runs out of paper.
- **Tray Lock:** You can set the tray lock.



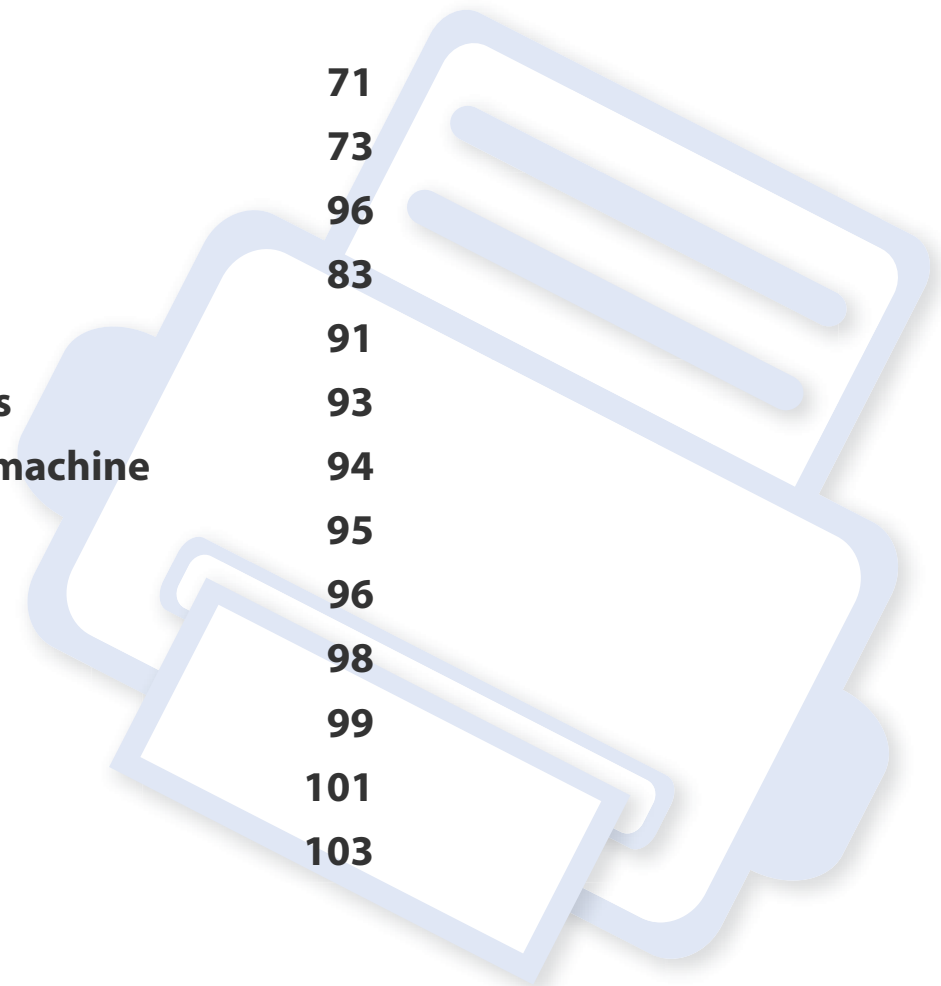
If the optional Cassette Locking Kit is installed, you can use this function.



3. Printing

This chapter explains common printing tasks.

• Basic printing	71
• Opening printing preferences	73
• Setting Device Options	96
• Using special print features	83
• Using Direct Printing Utility	91
• Changing the default print settings	93
• Setting your machine as a default machine	94
• Print Settings in Machine	95
• Setting Device Options	96
• Printing to a file (PRN)	98
• Mac printing	99
• Linux printing	101
• UNIX printing	103



Printer driver features



- The procedures in this chapter are mainly based on Windows 7.
- Check the operating systems that are compatible with your machine (see "System requirements" on page 284).

Your printer drivers support the following standard features:

- Paper orientation, size, source, and media type selection
- Number of copies

You can also use various special printing features. The following table shows a general overview of features supported by your printer drivers:



Some models or operating system may not support the certain feature(s) in the following table.

Feature	PCL/PS ^{a b} / XPS ^{bc}	PS ^b		
	Windows	Mac	Linux	Unix
Machine quality option	•	•	a • b	.
Poster printing	•	•	c	.
Multiple pages per sheet	•	•	•	
Booklet printing	•	•		

Feature	PCL/PS ^{a b} / XPS ^{bc}	PS ^b		
	Windows	Mac	Linux	Unix
Fit to page printing	•	•		
Reduce and enlarge printing	•	•		
Different source for first page	•	•		
Cover page options	•	•	•	•
Raster compression	• (PCL only)			
Output options	•	•	•	•
Watermark	•	•		
Overlay	• (PCL only)			
Double-sided printing (duplex)	•	•	•	•

The PostScript driver is recommended for best print image quality from PostScript-based applications such as Acrobat Reader®, Adobe Illustrator®, Adobe Photoshop®, etc. Download the software from the Samsung website and install it: (<http://www.hp.com/go/Samsung>). Before installing, check whether your computer's OS support the software. XPS printer driver can be installed only on Windows Vista OS or higher.

(•: Supported, Blank: Not supported)

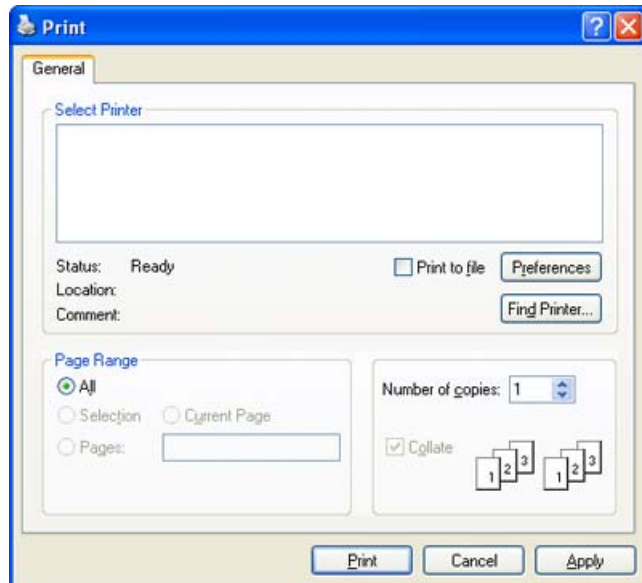
Basic printing



- Mac printing (see "Mac printing" on page 99).
- Linux printing (see "Linux printing" on page 101).
- UNIX printing (see "UNIX printing" on page 103).

The following **Printing Preferences** window is for Notepad in Windows 7. Your **Printing Preferences** window may differ, depending on your operating system or the application you are using.

- 1 Open the document you want to print.
- 2 Select **Print** from the **File** menu.
- 3 Select your machine from the **Select Printer** list.



The basic print settings including the number of copies and print range are selected within the **Print** window.




To take advantage of the printer features provided by your printer driver, click **Properties** or **Preferences** in the application's **Print** window to change the print setting (see "Opening printing preferences" on page 73).

- 4 To start the print job, click **OK** or **Print** in the **Print** window.

Basic printing




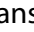
Canceling a print job

If the print job is waiting in the print queue or print spooler, cancel the job as follows:

- You can access this window by simply double-clicking the machine icon () in the Windows task bar.
- You can cancel the print job with the **Cancel Print** from the computers' Samsung Printer Status program window (see "Using Samsung Printer Status" on page 196).

Opening printing preferences

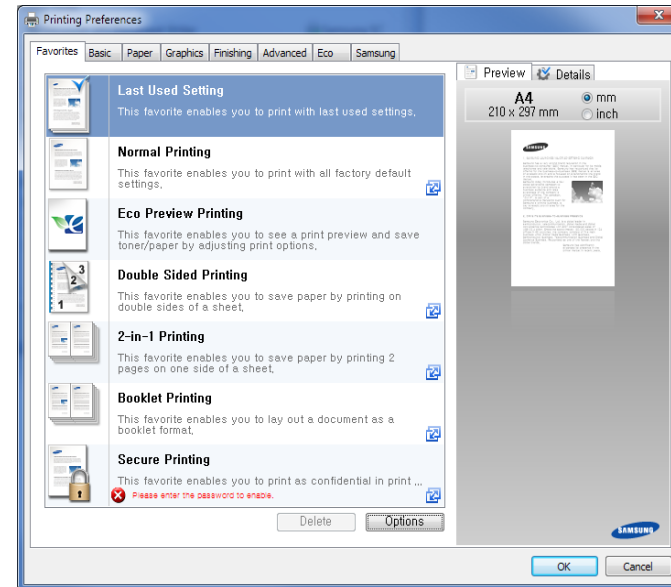


When you select an option in **Printing Preferences**, you may see a warning mark, , or . An exclamation mark () means you can select that certain option but it is not recommended, and () mark means you cannot select that option due to the machine's setting or environment.

- 1 Open the document you want to print.
- 2 Select **Print** from the **File** menu.
- 3 Select your printer driver from the **Select Printer** list.
- 4 Click **Properties** or **Preferences**.



The screenshot may differ depending on model.



- You can apply **Eco** features to save paper and toner before printing (see "Easy Eco Driver" on page 191).
- You can check the machine's current status pressing the **Printer Status** button (see "Using Samsung Printer Status" on page 196).

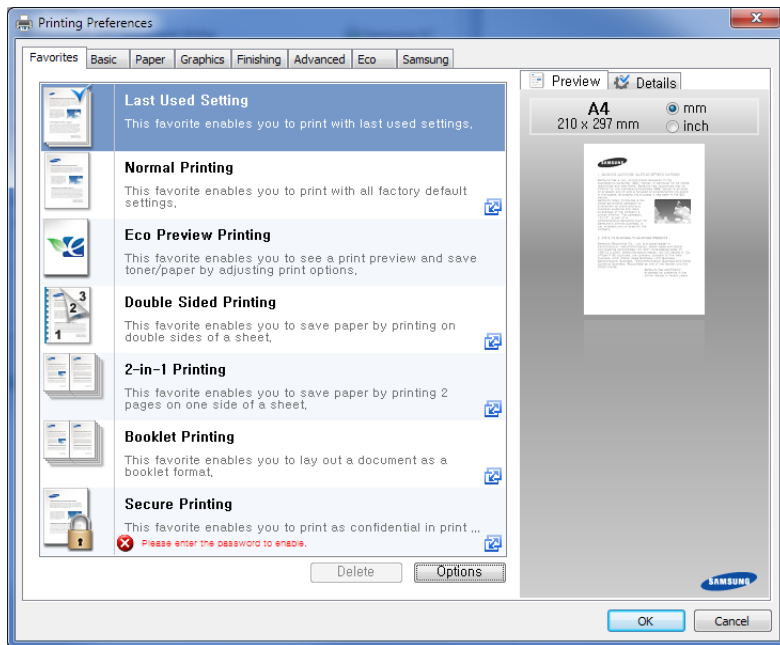
Opening printing preferences

Favorites tab

Listed items help you choose pre-defined settings.



The screenshot may differ depending on model.



Basic tab

Basic tab to set various printing options.

Orientation

This option allows you to select the direction in which information is printed on a page.

Layout Options

This option allows you to select various ways to layout your document.

- **Single Page Per Side:** This option is a basic layout option. This option allows you to print a page on one side of a paper.
- **Multiple Pages Per Side:** See "Printing multiple pages on one sheet of paper" on page 83.
- **Poster Printing:** See "Printing posters" on page 84.
- **Booklet Printing:** See "Printing booklets" on page 84.
- **Pre-Formatted Booklet Printing:**
- **Page Border:** This option allows you to print your document on which border line is. This option is not available for **Poster Printing** and **Booklet Printing**.

Opening printing preferences

Double-Sided Printing

This option allows you to print on both sides of paper (see "Printing on both sides of the paper" on page 85).

Finishing Options

These options allow you to specify the number of staples and holes to apply to the document.



- These options are available only when the inner finisher, 2k booklet finisher, or 3k finisher is installed.
- The **Hole Punch** option is available only when the optional punch kit is installed in the optional standard finisher or booklet finisher.

- **Staple:** Specify the number of staples to use when binding the document (either 1 or 2 staples).
- **Hole Punch:** Specify the number of holes to punch in the document (either two or three holes). Some punch kits may offer a **4 Hole** option instead of the **3 Hole** option.

Paper tab

Use the **Paper** tab options to set the basic paper handling specifications.

Copies

This option allows you to choose the number of copies to be printed. You can select 1 to 9999 copies.

Paper Options

- **Original Size:** This option allows you to set the actual paper size of the originals.
- **Output Size:** This option allows you to scale your print job to any selected paper size regardless of the originals size (see "Fitting your document to a selected paper size" on page 86).
 - **Percentage:** This option allows you to change the size of a page's contents to appear larger or smaller on the printed page by typing in a percentage you want (see "Change the size by percentage of your document" on page 86).
- **Source:** Make sure that **Source** is set to the corresponding paper tray. Use **MP Tray** when printing on special materials, such as envelopes and transparencies.

Opening printing preferences

- **Type:** This option allows you to set the type of paper to be loaded in the tray. This will let you get the best quality printout. If not, the desired print quality may not be achieved.
- **Speical Page:** This option is allows you to make special pages such as covers. You can add, delete or update the special page settings to the list. This option is available only when you use the PCL printer driver.
- **Transparency Separator:** Allows you to insert a blank or printed separator sheet between transparencies. This option is available only when you select **Transparency** for the **Type**.

Graphics tab

Use the **Graphic** tab options to adjust the print quality for your specific printing needs.

Quality

The higher the setting, the sharper the clarity of printed characters and graphics. The higher setting also may increase the time it takes to print a document.

Font/Text

Select **Clear Text** to print text darker than on a normal document.

Check **All Text Black** to print in solid black, regardless of the color it appears on the screen.

Graphic Controller

It allows user to emphasize edges of texts and fine lines for improving readability and align each color channel registration in color printing mode.

Opening printing preferences

Toner Save

The **Toner Save** setting allows the user to save printing toner when printing a draft version of a document. Select Off to print in normal mode and select On to print with less toner applied to the page.

Finishing tab

Use the **Finishing** tab to set various finishing options.

Sort Options

This option allows you to sort out the printouts easily.

- **None:** Disables this option.
- **Offset:** When printing multiple copies, this option shift the output position of each set.



This feature is available only when the inner finisher or 2k, 3k booklet finisher is installed.

- **Rotate:** When printing multiple copies, the printouts are stacked criss-crossed in sets.



- This feature is available only when the inner finisher or 2k, 3k booklet finisher is installed.
- This feature is available only with Letter and A4 sized print media.
- Before using this feature, you have to load the paper in the trays with SEF(Short edge feed) and LEF(Long edge feed). For example, direction of paper feeding in the tray 1 is SEF, and direction of paper feeding in the tray 2 is LEF.

Staple Options

This option allows you to specify the number of staples and the staple position. This option is available only when the optional standard finisher or booklet finisher is installed.

- **Staple:** Select the number of staples between **1 Staple** and **2 Staple**.
- **Position:** Select the position of staples among **Left, Right** and **Top**.



When you use the staple and punch together, you can only set the same position for staples and punch holes.

Opening printing preferences

Hole Punch Options

This option allows you to specify the number of hole punches and the hole punching position. Holes are punched in the printouts for filing them. This option is available only when the optional punch kit is installed in the optional standard finisher or booklet finisher.

- **Hole Punch:** Select the number of hole punches between **2 Hole** and **3 Hole**. Depending on the punch kit, **4 Hole** would appear instead of **3 Hole**.
- **Position:** Select the position of staples among **Left, Right** and **Top**.



When you use the staple and punch together, you can only set the same position for staples and punch holes.

- **Output Tray Options:** This option allows you to specify the tray where to output the printed documents.

Folding Options

This option allows you to print documents folded into three parts (tri-fold). You can adjust the following options when using the **C-Folding** function:

- **Outside, Top :** Prints the content on the outside of the tri-fold paper. The machine folds the bottom of the page to form the inner flap and the top of the page to form the outer flap.
- **Outside, Bottom :** Prints content on the outside of the tri-fold paper. The machine folds the top of the page to form the inner flap and the bottom of the page to form the outer flap.
- **Inside, Top :** Prints the content on the inside of the tri-fold paper. The machine folds the top of the page to form the inner flap and the bottom of the page to form the outer flap.
- **Inside, Bottom :** Prints the content on the inside of the tri-fold paper. The machine folds the top of the page to form the inner flap and the bottom of the page to form the outer flap.
- **Sheet per Set :** Specifies the number of sheets to include in each set when using the **C-Folding** option. You can include up to 3 sheets in each set.
- **Reset :** Restores all the default options.

Output Tray Options

This option allows you to specify the tray where to output the printed documents.

Opening printing preferences

Advanced tab

Use the **Advanced** tab to set various printing options.

Watermark

See "Using watermarks" on page 87.

Overlay

See "Using overlay" on page 89.

Output options

- **Print Order:** This options allows you to set the sequence in which the pages will print. **Print Odd Pages** and **Print Even Pages** are available only when you use the PCL printer driver.
- **Skip Blank Pages:** This option allows you to specify not to print blank pages in the original data.
- **Manual Margin:** This option allows you to specify binding margin. Binding margin adjusts binding position. *This option is not available when you use the PS printer driver.*



If you click **Reset**, settings in the **Advanced** option returns to the default setting.

Security

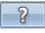
Encrypts printing data first, and transmits it to the machine. This feature protects the printing information to prevent your data from being comprised on your network. **Job Encryption** feature is enabled only when the hard drive is installed. The hard drive is used to decrypt the printing data.

Job Accounting

This option allows you to print with the given permission.


- **User permission:** If you check this option, only users with user permission can start a print job.
- **Group permission:** If you check this option, only groups with group permission can start a print job.



- Click the question mark() from the upper-right corner of the window and click on any option you want to know about.
- Administrators can enable job accounting and configure permissions in the control panel or SyncThru™ Web Service. For the detailed information about them (see "SyncThru™ Web Service" on page 182).

Opening printing preferences

Eco tab

The **Eco** tab allows you to save print resources and lead you to eco-friendly printing. When you select **Eco Printing**, you can see the eco image () on some options. Also, some options are not available to use in the eco mode.

Eco Options

- **Printer Default:** If you select this option, this feature is determined by the setting you've made on the control panel of the machine.
- **None:** Disables this option.
- **Eco Printing:** Eco mode gets activated. Select **Double-Sided Printing**, **TonerSave**, **Skip Blank Pages**, **Layout**, and **ColorMode**(X740x/X750x/X760x only) you want to use in eco mode. As long as you do not change the options from the other tabs, the document will be print out as set in the eco mode.
- **Passcode:** If the administrator sets **On-Forced** in **Default Eco Mode** for this machine, the eco mode is always set by this machine's eco setting, while the **Eco Options** in the printer driver is disabled. If you need to change the print settings, click **Password** and enter the password or contact your administrator.

Result Simulator

Result Simulator shows the result of reduced emission of carbon dioxide, used electricity, and the amount of saved paper in accordance with the settings you selected.



- The results are calculated on the basis that the total number of printed paper is one hundred without a blank page when the eco mode is disabled.
- Referred to the calculation coefficient about CO₂, energy and paper from **IEA**(International Energy Agency), the index of Ministry of Internal Affairs and Communication of Japan and www.remanufacturing.org.uk. Each model has a different index.
- The power consumption in printing mode refers to the average printing power consumption in this machine.
- The actual saved or reduced amount may differ depending on the operating system used, computing performance, application software, connection method, media type, media size, job complexity, etc.

Samsung tab

Use the **Samsung** tab to display the copyright and the version number of the driver. If your computer is connected to the Internet, you can have access to services.

Opening printing preferences

Print Mode

This option allows you to choose how to print or save the printing file by using the HDD in your machine. The default **Print Mode** is **Normal** which is for printing without storing the printing file on the HDD. You can also use this option in other tabs.

- **Normal:** This mode prints without storing your document.
- **Proof:** This mode is useful when you print more than one copy. You can print one copy first to check, then print the rest of the copies later.
- **Confidential:** This mode is used for printing confidential documents. You need to enter a password to print it (see "Job Status" on page 35).
- **Store:** This mode is used only for storing documents on the HDD. If necessary, you can load and print the stored documents. You can find the stored file in the **Box** (see "Using Box" on page 205). First, choose a document box in **Save Location** and then set **Options**.
- **Store and Print:** This mode is used when printing and storing documents at the same time. If necessary, you can load and print the stored documents. You can find the stored file in the **Box** (see "Using Box" on page 205). First, choose a document box in **Save Location** and then set **Options**.



- **Job Name:** This option is used when you need to find a stored file using the control panel.
- **User ID:** This option is used when you need to find a stored file using the control panel. The user name automatically appears as the user name that you use to log on Windows.

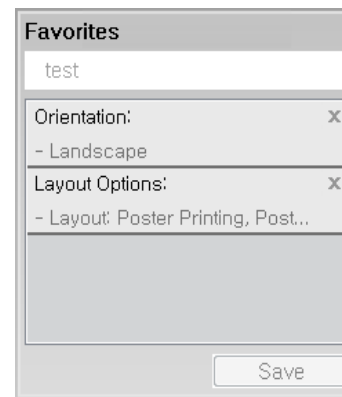
- **Enter Password:** If the **Property** of the stored documents you selected is **Secured**, you have to enter the password for the stored document. This option is used for loading a stored file using the control panel.
- **Confirm Password:** Re-enter the password to confirm it.

Using a favorite setting

The **Favorites** option, which is visible on each preferences tab except for the **Favorites** tab and **Samsung** tab, allows you to save the current preferences for future use.

To save a **Favorites** item, follow these steps:

- 1 Change the settings as needed on each tab.
- 2 Enter a name for the item in the **Favorites** input box.



Opening printing preferences

- 3 Click **Save**.
- 4 Enter name and description, and then select the desired icon.
- 5 Click **OK**. When you save **Favorites**, all current driver settings are saved.



To use a saved setting, select it in the **Favorites** tab. The machine is now set to print according to the settings you have selected.

To delete saved settings, select it in the **Favorites** tab and click **Delete**.

Using help

Click the option you want to know on the **Printing Preferences** window and press **F1** on your keyboard.

Using special print features

Special print features include:

- "Printing multiple pages on one sheet of paper" on page 83.
- "Printing posters" on page 84.
- "Printing booklets" on page 84.
- "Printing on both sides of the paper" on page 85.
- "Change the size by percentage of your document" on page 86.
- "Fitting your document to a selected paper size" on page 86.
- "Using watermarks" on page 87.
- "Using overlay" on page 89.

Printing multiple pages on one sheet of paper

You can select the number of pages to print on a single sheet of paper. To print more than one page per sheet, the pages will be reduced in size and arranged in the order you specify. You can print up to 16 pages on one sheet.

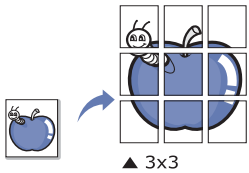


- 1** To change the print settings from your software application, access **Printing Preferences** (see "Opening printing preferences" on page 73).
- 2** Click the **Basic** tab, select **Multiple Pages per Side** in the **Type** drop-down list.
- 3** Select **Page Border** to print a border around each page on the sheet.
- 4** Select the number of pages you want to print per sheet (2, 4, 6, 9, or 16) in the **Pages per Side** drop-down list.
- 5** Select the page order from the **Page Order** drop-down list, if necessary.
- 6** Click the **Paper** tab, select the **Original size**, **Source**, and **Type**.
- 7** Click **OK** or **Print** until you exit the **Print** window.

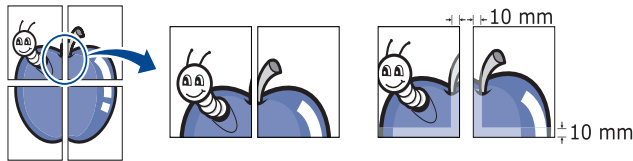
Using special print features

Printing posters

This feature allows you to print a single-page document onto 4, 9, or 16 sheets of paper, for the purpose of pasting the sheets together to form one poster-size document.



- 1 To change the print settings from your software application, access **Printing Preferences** (see "Opening printing preferences" on page 73).
- 2 Click the **Basic** tab, select **Poster Printing** in the **Type** drop-down list.
- 3 Select the page layout you want.
Specification of the page layout:
- 4 Select the **Poster Overlap** value. Specify **Poster Overlap** in millimeters or inches by selecting the radio button on the upper right of **Basic** tab to make it easier to paste the sheets together.




- 5 Click the **Paper** tab, select the **Original size**, **Source**, and **Type**.

- 6 Click **OK** or **Print** until you exit the **Print** window.
- 7 You can complete the poster by pasting the sheets together.

Printing booklets

This feature prints your document on both sides of a paper and arranges the pages so that the paper can be folded in half after printing to produce a booklet.



 If you want to make a booklet, you need to print on Letter, Legal, A4, JIS B5, Statement, Executive, A5, Ledger, or JIS B4 sized print media.

- 1 To change the print settings from your software application, access the **Printing Preferences** (see "Opening printing preferences" on page 73).
- 2 Click the **Basic** tab, select **Booklet Printing** from the **Type** drop-down list.
- 3 Click the **Advanced** button. Then select the option you want.
- 4 Click the **Paper** tab, select the **Original size**, **Source**, and **Type**.

Using special print features



The **Booklet Printing** option is not available for all paper sizes. In order to find out the available paper size for this feature, select the available paper size in the **Original size** option on the **Paper** tab.

If you select an unavailable paper size, this option can be automatically canceled. Select only available paper. (paper without ⚠ or ❌ mark).

- 5 Click **OK** or **Print** until you exit the **Print** window.

Printing on both sides of the paper

You can print on both sides of a paper; duplex. Before printing, decide how you want your document oriented. You can only use this feature with Letter, Legal, Oficio, US Folio, A4, ISO B5, JIS B5, Statement, Executive, A5, 8K, 16K, Ledger, Tabloid Extra, or JIS B4 sized paper.

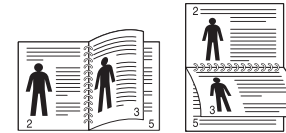


Do not print on both sides of the special media, such as labels, envelopes, or thick paper to print on both sides of paper. It may cause a paper jam or damage the machine.

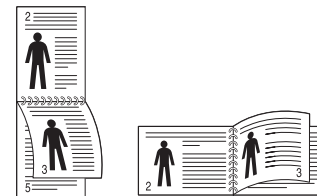
- 1 To change the print settings from your software application, access **Printing Preferences** (see "Opening printing preferences" on page 73).
- 2 Click the **Basic** tab.

- 3 From the **Double-Sided Printing** section, select the binding option you want.

- **Printer Default:** If you select this option, this feature is determined by the setting you've made on the control panel of the machine. This option is available only when you use the PCL printer driver.
- **None:** Disables this feature.
- **Long Edge:** This option is the conventional layout used in bookbinding.



- **Short Edge:** This option is the conventional layout used in calendars.



- **Reverse Double-Sided Printing:** Check this option to reverse the print order when duplex printing.

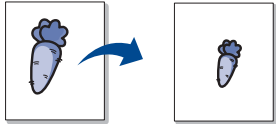
- 4 Click the **Paper** tab, select the **Original size**, **Source**, and **Type**.

- 5 Click **OK** or **Print** until you exit the **Print** window.

Using special print features

Change the size by percentage of your document

You can change the size of a document to appear larger or smaller on the printed page by typing in a percentage you want.



- 1 To change the print settings from your software application, access **Printing Preferences** (see "Opening printing preferences" on page 73).
- 2 Click the **Paper** tab.
- 3 Select actual paper size of the originals from the **Original Size**.
- 4 Enter the scaling rate in the **Percentage** input box.
You can also click the up/down arrows to select the scaling rate.



You cannot use this feature when you select a size of paper from the **Output Size**.

- 5 Select the **Source** and **Type**.
- 6 Click **OK** or **Print** until you exit the **Print** window.

Fitting your document to a selected paper size

This printer feature allows you to scale your print job to any selected paper size regardless of the document size. This option can be useful when you want to check fine details on a small document.

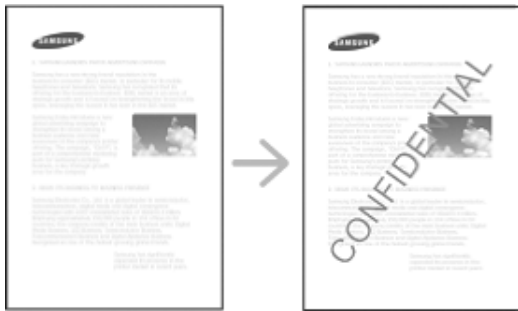


- 1 To change the print settings from your software application, access **Printing Preferences** (see "Opening printing preferences" on page 73).
- 2 Click the **Paper** tab.
- 3 Select actual paper size of the originals from the **Original Size**.
- 4 Select the size of paper to be printed in the tray from the **Output Size**.
- 5 Select the **Source** and **Type**.
- 6 Click **OK** or **Print** until you exit the **Print** window.

Using special print features

Using watermarks

The watermark option allows you to print text or image over an existing document. For example, you use it when you want to have large gray letters reading “**DRAFT**” or “**CONFIDENTIAL**” printed diagonally across the first page or all pages of a document.



There are several predefined watermarks that come with the machine. They can be modified, or you can add new ones to the list.



- **Header:** You can add the selected text to the Top left, Top center, or Top right.
- **Footer:** You can add the selected text to the Bottom left, Bottom center, or Bottom right.

Using an existing watermark

- 1 To change the print settings from your software application, access **Printing Preferences** (see "Opening printing preferences" on page 73).
- 2 Click the **Advanced** tab, and select the desired watermark from the **Watermark** drop-down list. You will see the selected watermark in the Triple Cassette Feeder image.
- 3 Click **OK** or **Print** until you exit the **print** window.



- **Watermark Message:** Allows users to enter the watermark which is the user want to print.
- **Image file:** Allows users to load the watermark image which is the user want to print.
- **Watermark name:** Allows users to enter the watermark name for adding to watermark drop-down list.
- **First Page Only:** Prints watermark only on the first page. Not checked by default.

Using special print features

Creating a watermark

- 1 To change the print settings from your software application, access **Printing Preferences** (see "Opening printing preferences" on page 73).
- 2 From the **Advanced** tab, select **Edit...** from the **Watermark** drop-down list.
- 3 Enter a text message in the **Watermark Message** box. You can enter up to 256 characters.

When the **First Page Only** box is checked, the watermark prints on the first page only.
- 4 Select watermark options.

You can select the font name, style, size, and shade from the **Font Attributes** section, as well as set the angle of the watermark from the **Watermark Alignment and Angle** section.
- 5 Click **Add** to add a new watermark to the **Current Watermarks** list.
- 6 When you finish editing, click **OK** or **Print** until you exit the **Print** window.

To stop printing the watermark, select **None** from the **Watermark** drop-down list.

Editing a watermark

- 1 To change the print settings from your software application, access **Printing Preferences** (see "Opening printing preferences" on page 73).
- 2 Click the **Advanced** tab, select **Edit...** from the **Watermark** drop-down list.
- 3 Select the watermark you want to edit from the **Current Watermarks** list and change the watermark message and options.
- 4 Click **Update** to save the changes.
- 5 Click **OK** or **Print** until you exit the **Print** window.

Deleting a watermark

- 1 To change the print settings from your software application, access **Printing Preferences** (see "Opening printing preferences" on page 73).
- 2 Click the **Advanced** tab, select **Edit...** from the **Watermark** drop-down list.
- 3 Select the watermark you want to delete from the **Current Watermarks** list and click **Delete**.
- 4 Click **OK** or **Print** until you exit the **Print** window.

Using special print features

Using overlay

This option is available only when you use the PCL printer driver.

What is an overlay?

An overlay is text and/or images stored on the computer hard drive (HDD) as a special file format that can be printed on any document. Overlays are often used to take the place of letterhead paper. Rather than using preprinted letterhead, you can create an overlay containing exactly the same information that is currently on your letterhead. To print a letter with your company's letterhead, you do not need to load preprinted letterhead paper in the machine just print the letterhead overlay on your document.



Creating a new page overlay

To use a page overlay, you must create a new page overlay containing your logo or image.

- 1 Create or open a document containing text or an image for use in a new page overlay. Position the items exactly as you wish them to appear when printed as an overlay.
- 2 To save the document as an overlay, access **Printing Preferences** (see "Opening printing preferences" on page 73).
- 3 Click the **Advanced** tab, and select **Create** from the **Overlay** drop-down list.
- 4 In the **Save As** window, type a name up to eight characters in the **File name** box. Select the destination path, if necessary (The default is C:\Formover).
- 5 Click **Save**.
- 6 Click **OK** or **Print** until you exit the **Print** window. When a confirming message window appears, click **Yes**.
- 7 The file is not printed. Instead, it is stored on your computer hard disk drive.



The overlay document size must be the same as the document you print with the overlay. Do not create an overlay with a watermark.

Using special print features

Using a page overlay

After an overlay has been created, it is ready to be printed with your document. To print an overlay with a document:

- 1 Create or open the document you want to print.
- 2 To change the print settings from your software application, access **Printing Preferences** (see "Opening printing preferences" on page 73).
- 3 Click the **Advanced** tab.
- 4 Select the **Print Overlay** from the **Overlay** drop-down list.
- 5 If the overlay file you want does not appear in the **Overlay File 1** or **Overlay File 2** drop-down list, select **Load** from the **Overlay List**. Select the overlay file you want to use.

If you have stored the overlay file you want to use in an external source, you can also load the file when you access the **Load** window.

After you select the file, click **Open**. The file appears in the **Overlay List** box and is available for printing. Select the overlay from the **Overlay List** box.
- 6 If necessary, check **Confirm Page Overlay When Printing** box. If this box is checked, a message window appears each time you submit a document for printing, asking you to confirm your wish to print an overlay on your document.

If this box is not checked and an overlay has been selected, the overlay automatically prints with your document.

- 7 Click **OK** or **Print** until you exit the **Print** window.
The selected overlay prints on your document.



The resolution of the overlay document must be the same as that of the document you will print with the overlay.

Deleting a page overlay

You can delete page overlays that you no longer use.

- 1 In the **Printing Preferences** window, click the **Advanced** tab.
- 2 Select **Print Overlay** from the **Overlay** drop down list.
- 3 Select the overlay you want to delete from the **Overlay List** box.
If the overlay file you want does not appear in the **Overlay List**, select **Load** from the **Overlay List**. Select the overlay file you want to delete.
- 4 Click **Delete**.
- 5 When a confirming message window appears, click **Yes**.
- 6 Click **OK** or **Print** until you exit the **Print** window.

Using Direct Printing Utility

This chapter explains how to use Direct Printing Utility to print PDF files without open the files.



- HDD should be installed on your machine, to print PDF files using this program.
- You cannot print PDF files that are restricted to print. Deactivate the printing restriction feature, and retry printing.
- You cannot print PDF files that are restricted by a password. Deactivate the password feature, and retry printing.
- Whether or not a PDF file can be printed using the Direct Printing Utility program depends on how the PDF file was created.
- The Direct Printing Utility program supports the PDF version 1.7 and below. For a higher version, you must open the file to print it.

What is Direct Printing Utility?

Direct Printing Utility is a program that sends a PDF file directly to your machine to print without having to open the file. It sends data through the Windows spooler using the port of the printer driver. It only supports PDF format.

To install this program:

Download the software from the Samsung website then unpack and install it: (<http://www.hp.com/go/Samsung>).

Printing

There are several ways you can print using the Direct Printing Utility.

From the Direct Printing Utility window

- 1 From the **Start** menu select **Programs** or **All Programs**.
 - For Windows8, from **Charms**, Select **Search** > **Apps**.
- 2 Find **Samsung Printers** > **Direct Printing Utility**.
- 3 Select your machine from the **Select Printer** drop-down list and click **Browse**.
- 4 Select the PDF file you wish to print and click **Open**.
The PDF file is added in the **Select Files** section.
- 5 Customize the machine settings for your needs.
- 6 Click **Print**. The selected PDF file is sent to the machine.

Using Direct Printing Utility

Using the right-click menu

- 1** Right-click on the PDF file you wish to print and select **Direct Printing**.
The Direct Printing Utility window appears with the PDF file is added.
- 2** Select the machine you wish to use.
- 3** Customize the machine settings for your needs.
- 4** Click **Print**. The selected PDF file is sent to the machine.

Changing the default print settings



Most Windows applications will override settings you specify in the printer driver. Change all print settings available in the software application first, and change any remaining settings using the printer driver.

- 1 Click the Windows **Start** menu.
 - For Windows 8, from the **Charms**, select **Search** > **Settings**.
- 2 For Windows XP/Server 2003, select **Printer and Faxes**.
 - For Windows Server 2008/Vista, select **Control Panel** > **Hardware and Sound** > **Printers**.
 - For Windows 7/8, select **Control Panel** > **Devices and Printers**.
 - For Windows Server 2008 R2, select **Control Panel** > **Hardware** > **Devices and Printers**.
- 3 Right-click on your machine.
- 4 For Windows XP/Server 2003/Server 2008/Vista, select **Printing Preferences**.
For Windows 7/8 or Windows Server 2008 R2, from context menus, select **Printing preferences**.



If **Printing preferences** has a ►, you can select other printer drivers connected to the selected printer.

- 5 Change the settings on each tab.
- 6 Click **OK**.



If you want to change the settings for each print job, change it in **Printing Preferences**.

Setting your machine as a default machine

- 1 Click the Windows **Start** menu.
 - For Windows 8, from the **Charms**, select **Search** > **Settings**.
- 2 For Windows XP/Server 2003, select **Printer and Faxes**.
 - For Windows Server 2008/Vista, select **Control Panel** > **Hardware and Sound** > **Printers**.
 - For Windows 7/8, select **Control Panel** > **Devices and Printers**.
 - For Windows Server 2008 R2, select **Control Panel** > **Hardware** > **Devices and Printers**.
- 3 Select your machine.
- 4 Right-click your machine and select **Set as Default Printer**.



For Windows 7 or Windows Server 2008 R2, if **Set as default printer** has a ►, you can select other printer drivers connected to the selected printer.

Print Settings in Machine

You can set print related settings. When there is no specific input for printing options, the machine prints with the settings you set here. Set the frequently used printing settings. This feature can be useful if your company has a specific printing form.

Tab **Settings** > **Print Settings** from the display screen.

General

- **General:** You can set Skip Blank Page, Paper Source and Emulation.
 - **Skip Blank Pages:** You can skip the blank pages during printing.
 - **Paper Source:** You can select the tray as a paper source.
 - **Emulation:** You can choose the emulation format.

Layout

- **Layout:** Provides paper layout related options.
 - **Orientation:** Select the paper orientation.
 - **Duplex:** Select the paper orientation for duplex mode.
 - **Number of Copies:** Select the number of copies you want to print.
 - **Margin:** Adjust the margin for Common Duplex, Common Simplex and Emulation.

Setting Device Options

When you install the optional devices such as optional tray, memory, etc, this machine automatically detects and sets the optional devices. If you cannot use the optional devices you installed in this driver, you can set the optional devices in **Device Options**.

- 1 Click the Windows **Start** menu.
 - For Windows 8, from the **Charms**, select **Search > Settings**.
- 2 For Windows XP/2003, select **Printers and Faxes**.
 - For Windows 2008/Vista, select **Control Panel > Hardware and Sound > Printers**.
 - For Windows 7, select **Control Panel > Hardware and Sound > Devices and Printers**.
 - For Windows 8, search for **Devices and Printers**.
 - For Windows Server 2008 R2, select **Control Panel > Hardware > Devices and Printers**.
- 3 Right-click your machine.
- 4 For Windows XP/2003/2008/Vista, press **Properties**.
For Windows 7, Windows 8, and Windows Server 2008 R2, from context menus, select the **Printer properties**.



If **Printer properties** item has ► mark, you can select other printer drivers connected with selected printer.

- 5 Select **Device Options**.



The **Properties** window may differ depending on the driver or operating system you are using.

- 6 Select the appropriate option.



Some menus may not appear in the display depending on options or models. If so, it is not applicable to your machine.

- **Tray Options:** Select the optional tray you installed. You can select the tray.
- **Storage Options:** Select the optional memory you installed. If this feature is checked, you can select the **Print Mode**.
- **Printer Configuration:** Select the printer language for the print job.
- **Administrator Settings:** You can select the **Printer Status** and **EMF Spooling**.
- **Admin Job Accounting:** Allows you to associate user and account identification information with each document you print.
 - **User permission:** If you check this option, only users with user permission can start a print job.
 - **Group permission:** If you check this option, only groups with group permission can start a print job.

Setting Device Options



If you want to encrypt job accounting password, check "**Job Accounting Password Encryption**" see "Security" on page 320.

- **Custom Paper Size Settings:** You can specify custom paper size.

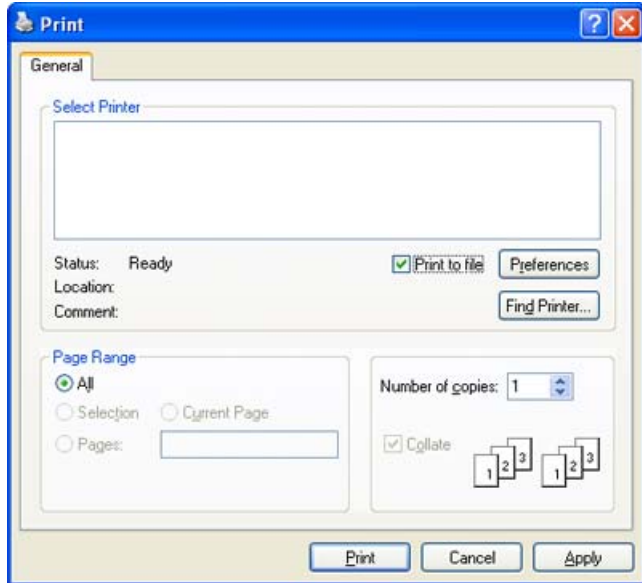
7 Click **OK** until you exit the **Properties** or **Printer properties** window.

Printing to a file (PRN)

You will sometimes need to save the print data as a file.

To create a file:

- 1 Check the **Print to file** box at the **Print** window.



- 2 Click **Print**.
- 3 Type in the destination path and the file name, and then click **OK**.
For example **c:\Temp\file name**.



If you type in only the file name, the file is automatically saved in **My Documents**, **Documents and Settings** or **Users**. The saved folder may differ, depending on your operating system or the application you are using.

Mac printing



Some features may not be available depending on models or options. It means that the features are not supported.

This section explains how to print using a Mac.

Printing a document

When you print with a Mac, you need to check the printer driver setting in each application you use. Follow the steps below to print from a Mac:

- 1 Open the document you want to print.
- 2 Open the **File** menu and click **Page Setup** (**Document Setup** in some applications).
- 3 Choose your paper size, orientation, scaling, other options, and make sure that your machine is selected. Click **OK**.
- 4 Open the **File** menu and click **Print**.
- 5 Choose the number of copies and indicate which pages to print.
- 6 Click **Print**.

Changing printer settings

You can use advanced printing features provided by your machine.

Open an application and select **Print** from the **File** menu. The machine name, which appears in the printer properties window, may differ depending on the machine in use. Except for the name, the composition of the printer properties window is similar to the following.

Printing multiple pages on one sheet of paper

You can print more than one page on a single sheet of paper. This feature provides a cost-effective way to print draft pages.

- 1 Open an application, and select **Print** from the **File** menu.
- 2 Select **Layout** from the drop-down list under **Orientation**. In the **Pages per Sheet** drop-down list, select the number of pages you want to print on one sheet of paper.
- 3 Select the other options to use.
- 4 Click **Print**.
The machine prints the selected number of pages to print on one sheet of paper.

Mac printing

Printing on both sides of paper

You can print on both sides of the paper. Before printing in the duplex mode, decide on which edge you will be binding your finished document. The binding options are, as follows:

- **Long-Edge Binding:** This option is the conventional layout used in book binding.
- **Short-Edge Binding:** This option is the type often used with calendars.

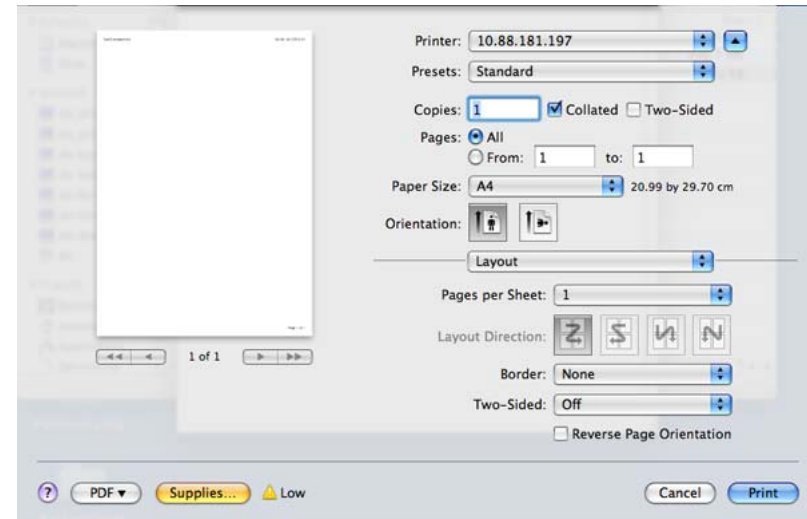
- 1 From your Mac application, select **Print** from the **File** menu.
- 2 Select **Layout** from the drop-down list under **Orientation**.
- 3 Select a binding orientation from **Two-Sided** option.
- 4 Select the other options to use.
- 5 Click **Print** and; the machine prints on both sides of the paper.



If you print more than 2 copies, the first copy and the second copy might print on the same sheet of paper. Avoid printing on both sides of paper when you are printing more than 1 copy.

Using help

Click the question mark on the bottom-left corner of the window and click on the topic you want to know about. A pop-up window appears with information about that option's feature, which is provided from the driver.



Linux printing



Some features may not be available depending on models or options. It means that the features are not supported.

Printing from applications

There are a lot of Linux applications that allow you to print using Common UNIX Printing System (CUPS). You can print on your machine from any such application.

- 1 Open the document to print.
- 2 Open the **File** menu and click **Page Setup** (**Page Setup** in some applications).
- 3 Choose your paper size, orientation, and make sure that your machine is selected. Click **Apply**.
- 4 Open the **File** menu and click **Print**.
- 5 Select your machine to print.
- 6 Choose the number of copies and indicate which pages to print.
- 7 Change other printing options in each tab, if necessary.

8

Click **Print**.



Automatic/manual duplex printing may not be available depending on models. You can alternatively use the lp or lpr printing system or other applications for odd-even printing.

Printing files

You can print text, image, pdf files on your machine using the standard **CUPS**, directly from the command line interface. The **CUPS** lp or lpr utility allows you to do that. You can print these files by using below command format.

```
"lp -d <printer name> -o <option> <file name>"
```

Please refer to lp or lpr man page on your system for more details.

Linux printing

Configuring printer properties

You can change the default printing options or connection type with a printing utility supplied by O/S.

- 1 Launch Printing utility(Go to **System > Administration > Printing** menu or execute "**system-config-printer**" command in Terminal program).
- 2 Select your printer and double-click it.
- 3 Change default printing options or connection type.
- 4 Click **Apply** button.

UNIX printing



Some features may not be available depending on models or options. It means that the features are not supported.

Proceeding the print job

After installing the printer, choose any of the image, text, or PS files to print.

- 1 Execute "**printui <file_name_to_print>**" command.
For example, if you are printing "**document1**"
printui document1
This will open the UNIX Printer Driver **Print Job Manager** in which the user can select various print options.
- 2 Select a printer that has been already added.
- 3 Select the printing options from the window such as **Page Selection**.
- 4 Select how many copies are needed in **Number of Copies**.



To take advantage of the printer features provided by your printer driver, press **Properties**.

- 5 Press **OK** to start the print job.

Changing the machine settings

The UNIX printer driver **Print Job Manager** in which the user can select various print options in printer **Properties**.

The following hot keys may also be used: "H" for **Help**, "O" for **OK**, "A" for **Apply**, and "C" for **Cancel**.

General tab

- **Paper Size:** Set the paper size as A4, Letter, or other paper sizes, according to your requirements.
- **Paper Type:** Choose the type of the paper. Options available in the list box are **Printer Default**, **Plain**, and **Thick**.
- **Paper Source:** Select from which tray the paper is used. By default, it is **Auto Selection**.
- **Orientation:** Select the direction in which information is printed on a page.
- **Duplex:** Print on both sides of paper to save paper.



Automatic/manual duplex printing may not be available depending on models. You can alternatively use the lpr printing system or other applications for odd-even printing.

UNIX printing

- **Multiple pages:** Print several pages on one side of the paper.
- **Page Border:** Choose any of the border styles (e.g., **Single-line hairline**, **Double-line hairline**)

Image tab

In this tab, you can change the brightness, resolution, or image position of your document.

Text tab

Set the character margin, line space, or the columns of the actual print output.

Margins tab

- **Use Margins:** Set the margins for the document. By default, margins are not enabled. The user can change the margin settings by changing the values in the respective fields. Set by default, these values depend on the page size selected.
- **Unit:** Change the units to points, inches, or centimeters.

Printer-specific settings tab

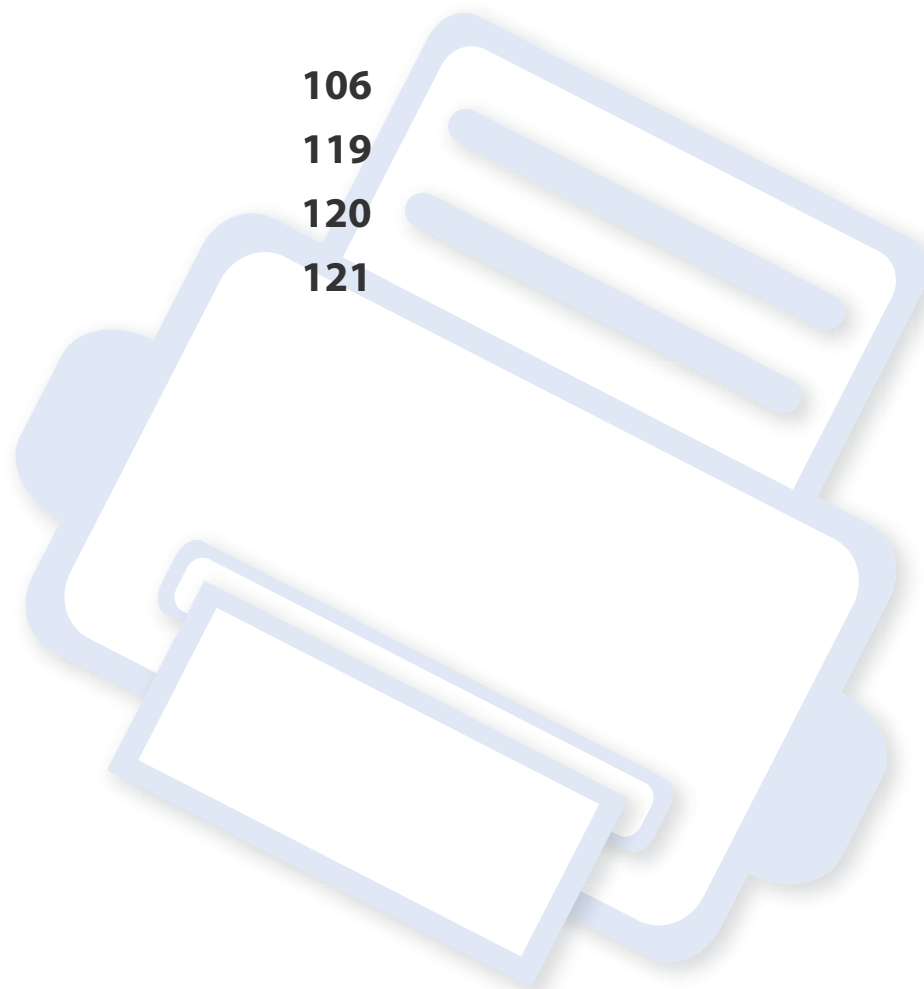
Select various options in the **JCL** and **General** frames to customize various settings. These options are specific to the printer and depend on the PPD file.




4. Copying

This chapter gives you step-by-step instructions for copying documents.




- **Understanding the copy screen** 106
- **Basic copy** 119
- **Using the Quick Copy menu** 120
- **ID card copying** 121








Understanding the copy screen

When you tap **Copy** from the home screen or **Apps**, the **Copy** screen appears. This screen has several tabs and many copying options. All the options are grouped by feature so you can configure your selections easily. If want to go home, tap the home() button.



 (**Help**) app explains the normal and usual procedure for copying originals. Click the  (**Help**) from the home screen or  (quick menu) and then click on any option you want to know about.

Command keys

Button	Name	Description
	Quick Menu	Open the quick menus.
	Search	Search for a desired menu or app.
	My Program	Add an app to My Program List.
	Sub menu (Action overflow)	Open the sub menu.
		Set the number of copies printed.





Virtual Hard Key



- Virtual hard keys are located on the right side of the screen.
- When an app is launched for the first time, the virtual hard keys are shown.

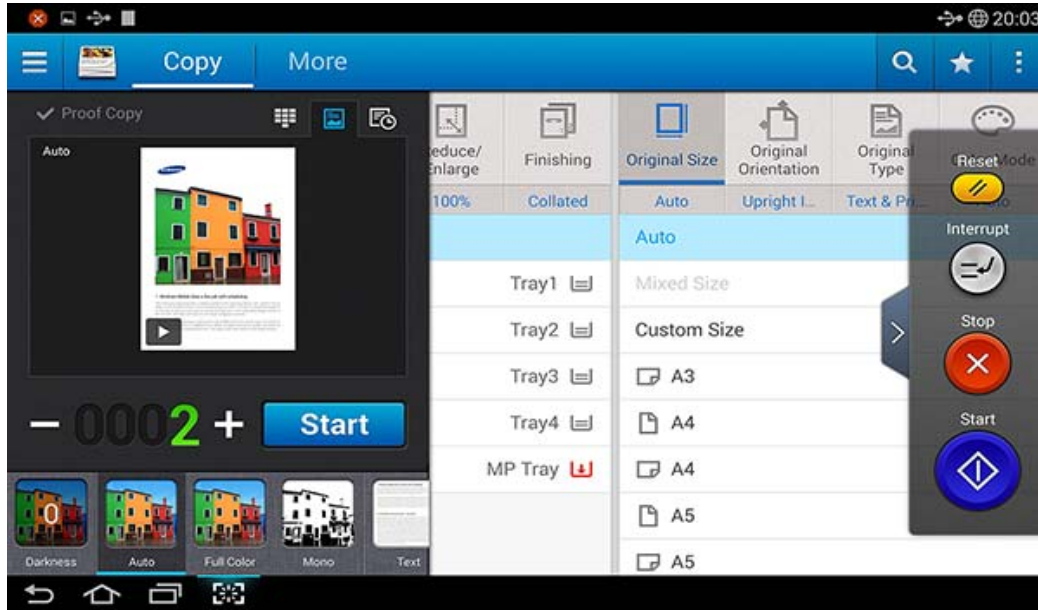


- If the ,  touched, the virtual hard keys are hidden and shown.

Button	Name	Description
	Reset	Reset the current machine's configuration.
	Interrupt	Suspend the current job, allowing for urgent copying.
	Stop	Stop a job at any time. A pop-up window appears to show the jobs that you can stop.
	Start	Start a job.









Understanding the copy screen

Copy tab



Preview

Display the originals type.

Button	Name	Description
	Numeric Keypad	Opens the keypad to enter the number of copies to create.
	Proof Copy	Prints a test copy of the document when printing multiple copies. For more information, refer to (see "Sub menu (Action overflow)" on page 109).
	Setting History	View changed options list.
	Preview for status	Shows the job preview.
	Preview for play	Preview scanned job.
	Full Screen Mode	Opens the preview in full screen mode. In full screen mode, you can edit the scanned image using functions such as rotate and crop.  Some functions are not available in full screen mode.
	Start	Starts a job.


Understanding the copy screen

Easy Settings Bar

Easily setting the darkness, color mode, original type in the Easy Settings bar.

Changing Darkness

You can adjust the darkness level of a copy if needed for easier reading if the original contains faint markings or dark images. Adjust the darkness level using the control bar. This feature allows you to print dark images lighter, or light images darker.

Tap **Darkness** () to show the slider control.



Selecting the color mode (X740x/X750x/X760x series only)

The color modes in the Easy Settings bar allow you to print the output in color or black and white. You can select the following color modes:

- **Auto:** Automatically detects the color of the original and prints the copy accordingly.
- **Full Color:** Prints the output in color.
- **Mono:** Prints the output in black and white.

Selecting the original type

The original type setting allows you to improve the copy quality by selecting the type of document being copied.

- **Text:** The original contains mostly text.
- **Text & Printed Photo:** The original contains both text and images.
- **Text & Glossy Photo:** The original contains both text and glossy images.
- **Newspaper:** The original is a newspaper.
- **Printed Photo:** The original is mostly or exclusively images.
- **Glossy Photo:** The original is mostly or exclusively glossy images.
- **Copied Original:** The original is a copy.
- **Map:** The original is a map.
- **Light Original:** The original is faded or lightly printed.

Understanding the copy screen

Copy Settings

Sub menu (Action overflow)

- **Eco:** When Eco mode is enabled, you can select only economical printing settings. Tap the Eco option in the Action Overflow menu to turn Eco mode on or off.
- **Add to My Program:** Adds an app to my program list.
- **Build Job:** Specifies whether to prompt you after scanning a page. When enabled, the **Scan More** window appears after the machine scans a page to ask you if you want to scan another page. If you select **Yes**, then you can scan another page in the current job. If you select **No**, then the scanning process ends and the machine performs the remainder of the job. When building a job, you can use the DADF or the platen. The platen might be useful if you have more papers than can be loaded in the DADF.
- **Proof Copy:** Allows you to print a test copy to check the quality and alignment of the printout. Tap this option in the Action Overflow menu to print a proof copy. After ensuring that the copy is perfect, tap the Start button to print the rest of the copies.



Available when copy 2 sheets or more.

- **ID Copy:** Allows you to copy both sides of a two-sided original onto one sheet of paper. This feature is helpful for copying originals with important information on both sides, such as driver's licenses.
- **Save to Box:** Allows you to save scanned originals to the hard disk drive in the machine. You can then print these saved documents at a later date or store them as printable files. Tap this option in the Action Overflow menu to save a document to the hard disk drive in the machine.
- **Save as Default:** Allows you to save the current copy options as the default copy settings. After you save the default copy settings, all future copy tasks use these settings. Tap this option in the Action Overflow menu to save the current settings as the default settings.
- **Restore Default:** Allows you to restore the copy settings to the default settings of the machine. This option changes the current copy settings to the original copy settings configured at the factory. Tap the Restore Default option in this menu to restore the default settings.
- **Copy Settings**
 - **Another Page Confirmation:** Specifies whether the machine requires you to confirm that the scanning is complete after each page. Select this option to efficiently copy multiple pages in a single copy job.
 - **Default Original Size:** Sets the paper size to use when the machine cannot detect the original size. You can choose **Default Paper Size** or **Selected Paper Size**.
 - **Copy as Selected Paper Size:** Resizes the copied original to match the selected paper. This option is useful for checking the fine details of small documents.

Understanding the copy screen

- **UI Configuration:** Allows you to select the options that appear in the **Copy** menu. Tap the + or - symbol on the menu icons to add or remove menus. You can also tap and hold a menu icon to move it to a different position or tap **Clear All** to remove all the menus.

Job progress

This menu appears whenever the machine is processing a job.

- **Detail :** Tap this button to see the status, type, and time of the job.
- **Preview Area :** Allows you to see a preview of the document being copied. The image in the preview area indicates the current send settings, such as the orientation and size of the printout.
- **Send Feedback :** Allows you to send feedback about the current send job. If you want to receive sending job by email, you can set from **My page** app (see "Understanding the My Page menu" on page 38).




To use this feature, you may need to log-in as an administrator (see "Log-in" on page 311).

Setting options

The **Copy** tab provides two sections. The **More** tab provides four additional sections.



- You can customize the UI of each tab using UI configuration option (Copy >  Sub menu(action overflow) > UI Configuration).
- Some menus are disabled. If so, it is not available to your machine.



Paper Source

The paper source option sets the tray for this print job. The machine prints the scanned image on the paper in the selected tray. You can see icons that represent paper sizes and the amount of paper remaining in each tray.



Duplex

You can set the machine to print copies on both sides of paper.

You can select the **Original** and **Output** binding type, either type is **Book** or **Calendar**.

- **1 Sided:** For originals or output binding type that are printed on one side only.
- **2 Sided, Book:** For originals or output binding type that are printed on both sides.
- **2 Sided, Calendar :** For originals or output binding type that are printed on both sides, but the back is rotated 180 degrees.


Understanding the copy screen

Reduce/Enlarge

The reduce/enlarge feature allows you print an image larger or smaller than the original. Tap the icons on the screen to reduce a copy by 25 % to 99 %, or enlarge a copy by 101 % to 400 %.


- **Auto:** Reduces or enlarges the copy based on the size of the output paper.
- **100%(Original):** Prints the copy at the same size as the original.
- **Custom:** Specifies a custom percentage (between 25% and 400%).



- Adding a custom percentage preset
 - 1 Set the custom percentage (between 25% and 400%).
 - 2 Tap the  button, and then input the preset name.
 - 3 Tap **OK**.
- Editing or deleting a custom preset
 - 1 Tap and hold the custom preset that you want to edit or delete.
 - 2 Select **Edit** or **Delete**.

- **XY Custom:** Specifies custom XY values (between 25% and 400%).



- Adding a custom XY preset
 - 1 Set the custom XY values (between 25% and 400%).
 - 2 Tap the  button, and then input the name of the preset.
 - 3 Tap **OK**.
- Editing or deleting a custom preset
 - 1 Tap and hold the custom item what you want to edit or delete.
 - 2 Select **Edit** or **Delete**.

Finishing

The Finishing menu allows you to set the print output options.

- **Skip Blank Pages:** Specifies whether to scan and print the blank pages in the original.
- **Image Rotation:** Rotates the image in the output depending on the scanned data and output paper size.
- **Sort:** Specifies whether to sort the copy job. For example, if you make 2 copies of a 3-page original, then the first copy of the complete 3-page document will print followed by the second complete copy.
 - **Collated:** Prints the output in sets to match the sequence of originals.
 - **Uncollated:** Prints the output in stacks of individual pages.
- **Rotate:** Stacks the printouts in criss-crossed sets.

Understanding the copy screen



- This feature is available only when the standard or booklet finisher is not installed.
- This feature is available only with Letter- and A4-sized print media.
- Before using this feature, you must load the paper in both SEF (Short edge feed) and LEF (Long edge feed) trays. For example, the direction of feed for the paper in tray 1 must be SEF and direction of feed for the paper in tray 2 must be LEF.

- **Finisher:** Specifies the number of staples, folds, and hole punches to apply to the document.



- These options are available only when the inner finisher, 2k booklet finisher, or 3k finisher is installed.
- The **Hole Punch** option is available only when the optional punch kit is installed in the optional standard finisher or booklet finisher.

- **Staple:** Specify the number of staples to use when binding the document (either 1 or 2 staples).
- **Punch:** Specify the number of holes to punch in the document (either two or three holes). Some punch kits may offer a **4 Hole** option instead of the **3 Hole** option.
- **Fold :** Specify the number of folds to make in the document (1-3).
 - **Outside, Top :** Prints the content on the outside of the tri-fold paper. The machine folds the bottom of the page to form the inner flap and the top of the page to form the outer flap.

- **Outside, Bottom:** Prints content on the outside of the tri-fold paper. The machine folds the top of the page to form the inner flap and the bottom of the page to form the outer flap.
- **Inside, Top:** Prints the content on the inside of the tri-fold paper. The machine folds the bottom of the page to form the inner flap and the top of the page to form the outer flap.
- **Inside, Bottom:** Prints the content on the inside of the tri-fold paper. The machine folds the top of the page to form the inner flap and the bottom of the page to form the outer flap.
- **Devide Into Sets:** Specify the number of pages to include in each set when using the **C-Folding** option. You can include up to 3 pages in each set.

- **Output Tray:** Selects the output tray.



Original Size

Use this option to set the actual paper size of the originals.

- **Auto:** Automatically detect the size of original (see "Media sizes automatically detected" on page 59).
- **Mixed Size:** Automatically detect the size of original if the original uses a combination of different paper size (see "Loading mixed sizes of originals" on page 49).
- **Custom size:** If you need to set a custom value for a special size of paper, use the arrows to set the required size.

Understanding the copy screen



- Add to list
 - 1 Set a custom value.
 - 2 Tap **+** button, then input the name you want.
 - 3 Tap **OK**.
- **Edit** or **Delete**
 - 1 Tap and hold the custom item what you want to edit or delete.
 - 2 Select the **Edit** or **Delete**.



Original Orientation

Use this option to set the orientation of the original.

- **Upright Images:** Use this setting for an original document loaded with the top toward the back of the machine.
- **Sideways Images:** Use this setting for an original document loaded into the DSDF with the top of the document toward the left side of the machine, or an original document placed on the scanner glass with the top of the document toward the right side of the machine.



Original type

The original type setting allows you to improve the copy quality by selecting the type of document being copied.

- **Text:** The original contains mostly text.
- **Text & Printed Photo:** The original contains both text and images.

- **Text & Glossy Photo:** The original contains both text and glossy images.
- **Newspaper:** The original is a newspaper.
- **Printed Photo:** The original is mostly or exclusively images.
- **Glossy Photo:** The original is mostly or exclusively glossy images.
- **Copied Original:** The original is a copy.
- **Map:** The original is a map.
- **Light Original:** The original is faded or lightly printed.



Color Mode

The machine provides many powerful effects that you can use to modify scanned documents without expert editing skills.

- **Auto:** Automatically detects the color of the original and prints the copy accordingly.
- **Full Color:** Prints the copy in the same color as the original.
- **Mono:** Prints the copy in black and white, regardless of whether the scanned document is in color or in black and white.
- **Single Color:** Prints the copy in a specified single color, regardless of whether the scanned document is in color or in black and white. You can print the copy in **Cyan, Magenta, Yellow, Red, Green** or **Blue**.
- **Twin Color:** Prints the copy in black and a specified color, regardless of whether the scanned document is in color or black and white. You can print the copy in any of the following combinations: **Black + Cyan, Black + Magenta, Black + Yellow, Black + Red, Black + Green** or **Black + Blue**.

Understanding the copy screen

- **Color Tone:** Adds a warm, cool, or sepia tone to the image. You can add only one tone to the image.
- **Appointed Color:** Changes all colors in the original to grayscale except for the appointed colors. You can use this effect to emphasize the appointed colors in the copy. After you select the colors from the **Color List**, the machine prints all unselected colors in black and white. You can also select a **Target Color** to change the selected colors in the original into a different color in the printouts.
- **Color Removal:** Removes the selected colors from the original image. You can use this option to emphasize the remaining colors or save toner, especially when printing originals that have dark backgrounds. You can remove the following colors: **Cyan, Magenta, Yellow, Red, Green, Blue**, or **Gray**.
- **Color Replacement:** Replaces certain colors in the original with different colors in the copy. The machine uses an elaborate hue conversion technique to ensure that the replacement colors blend naturally with the surrounding area. You can replace the following colors: **Cyan, Magenta, Yellow, Red, Green**, or **Blue**.
- **Background Color:** Adds a background color to the blank areas in the copy. You can select the following background colors: **Cyan, Magenta, Yellow, Red, Green, Blue, Deep Cyan, Deep Magenta, Deep Yellow, Deep Red, Deep Green**, or **Deep Blue**.



N-up

The N-up menu allows you to reduce the size of originals and print 2 -32 pages onto one sheet of paper.



When you use the **N-Up** feature, the **Image Repeat**, **Booklet**, **Book Copy**, **Image Shift**, and **Poster Copy** menus are disabled.

- **Off:** Disables this feature.
- **N-Up:** Copies the specified number of pages from the original onto one sheet of paper.
- **Orientation:** Specifies the direction in which to copy the pages.
- **Paper Source:** Selects the paper source.
- **Option:** Specifies whether to apply a border.
 - **Border:** Prints a border around the pages on the printout.



You cannot adjust the copy size using **Reduce/Enlarge** for the **N-Up** feature.



Booklet

The machine automatically prints on one or both sides of the paper, which are then folded to produce a booklet with all pages in the correct sequence. The machine will also reduce and correctly adjust the position of each image to fit on the selected paper.

- **Off:** Disables this feature.
- **1 Sided Originals:** Copy one side of the original to one sheet of a booklet.

Understanding the copy screen

- **2 Sided Originals, Book:** Copy each side of an original to one sheet of a booklet.
- **2 Sided Originals, Calendar:** Copy each side of an original to one page of a booklet. The second side of each original is rotated 180 degrees so the text will be upright in the booklet.
- **Binding:** Selects the direction of page order.
 - **Left:** The booklet will open to the left.
 - **Right:** The booklet will open to the right.
- **Fold & Staple:** Select this setting to fold and staple printouts.



The fold function requires the optional booklet finisher.

- **Off :** Disables this feature.
- **Fold & Staple :** Select this setting to fold and staple printouts.
- **Fold :** Folds the documents in half when printing.
- **Devide Into Sets :** Select this option to divide documents with many pages into multiple batches. You can include up to 15 pages in each batch.
- **Paper Source:** Selects the paper tray to use.



Book Copy

Use this feature to copy a book. If the book is too thick, lift the DSDF until its hinges are engaged by the stopper, then close the DSDF. If the book or magazine is thicker than 30 mm (1.18 inches), start copying with the DSDF open.



This copy feature is available only when you place originals on the scanner glass.

- **Off:** Disables this feature.
- **Left Page:** Prints only the left page of the book.
- **Right Page:** Prints only the right page of the book.
- **Both Pages(From Left):** Prints both facing pages from the left page.
- **Both Pages(From Right):** Prints both facing pages from a right page.
- **Book Center & Edge Erase:** Erases shadows caused by bindings or book edges from the center and side edges of copies.
- **Duplex:** You can using duplex function and setting them.



Poster Copy

This feature allows you to print a single-page document onto 4, 9, or 16 sheets of paper, for the purpose of pasting the sheets together to form one poster-size document.

Understanding the copy screen



This copy feature is available only when you place originals on the scanner glass.

- **Paper Source:** Selects the paper tray to use.

Image Repeat

This option prints several copies of the original image on the same side of a single page. If you have other original in the DSDF, all other original images get printed the same way.



When you use the **Image Repeat** feature, the **N-up**, **Booklet**, **Book Copy**, **Image Shift**, and **Poster Copy** menus are disabled.

- **Off:** Disables this feature.
- **Auto Repeat:** The number of images is automatically determined by the original image and paper size. The number of repeating images is automatically selected based on size of the original, the size of output page, and the reduce/enlarge percentage by up to 100 %.
- **Manual Repeat:** Manually select the number of images from 2, 4, 6, 8, 9 or 16.
- **Option:** Specifies whether to apply a border.
 - **Border:** Prints a border around each page on the printout.
- **Paper Source:** Selects the paper tray to use.



Watermark

The watermark option allows you to print text over an existing document. For example, you use it when you want to have large gray letters reading “Draft” or “Confidential” printed diagonally across the first page or all pages of a document.



Stamp



You cannot apply stamps to booklets or posters.

Prints the **IP Address**, **ID**, **Device Information**, **Comment**, **Page Number** or **Date & Time** on printouts. You can set the **Text Color**, **Text Size**, **Opacity** or **Position** of the stamp.



Overlay

An overlay is text and/or images stored on a computer hard drive (HDD) in a special file format that can be printed on any document. Overlays can take the place of traditional letterhead paper. Rather than using preprinted letterhead, you can create an overlay matching the layout of the letterhead. To print a letter on your company’s letterhead, you do not need to load preprinted letterhead in the machine, just enable the letterhead overlay on your document.

- **Off:** Disables this feature.
- **+ New:** Create a new page overlay containing your logo or image.

Understanding the copy screen

- **Overlap:** Select an overlap location.

Erase Edge

You can copy the original without any edges or margins.

- **Off:** Disables this feature.
- **Border Erase:** Erase an equal amount of edges from all copies.
- **Hole Punch Erase:** Erase hole-punch marks from the left edge of copies.

Image Shift

To prevent images from overlapping with staples, and other marks, you can move an image's position.

- **Off:** Disables this feature.
- **Auto Center:** Automatically position at the center of the paper.
- **Custom:** Adjust the margins of the paper manually.

Covers

The machine automatically adds covers to your copied set using stock taken from a different tray. Covers must be the same size and orientation as the main body of the job.

- **Off:** Disables this feature.
- **Front:** Print the document with a front cover.

- **Back:** Print the document with a back cover.
- **Front & Back:** Prints the document with a front and back cover.
- **Cover Sheet:** Sets the option for double-sided copying.
- **Paper Source:** Selects the paper tray to use.

Transparency

The Transparency feature inserts separator sheets between the output transparencies to prevent the transparencies from sticking together. You can also copy the originals onto the separator sheets to create reference copies.

- **Off:** Does not place separator sheets between the transparencies.
- **Blank Separator:** Places blank divider sheets between the transparencies.
- **Printed Separator:** Reproduces the content of the transparencies on the separator sheets.
- **Transparency:** Selects the tray that contains the transparencies.
- **Separator:** Selects the tray that contains the separator sheets.

Image Adjustment

The Image Adjustment option allows you to manually adjust the **Darkness, Sharpness, Contrast, Color Balance, Color Shift, Negative Image, Saturation, UCR** and **Fine Density** settings of the printout.

Understanding the copy screen

Background Adjustment

This option allows you to compensate for originals that contain color in the background, such as newspapers or catalogs. You can use the options in this menu to make the copies easier to read.



- **Background Density:** Allows you to adjust the density of the background in the scanned image. This feature is useful when scanning originals that have turned yellow from age or originals with a dark background.
- **Backside Image:** Allows you to erase any text or images that show through from the other side of the original. You can use this feature to ensure that your scanned output is clearly legible.

Mirror Image


This option allows you to reverse the original document like a mirror.

Basic copy

This is the usual procedure to copy your original documents.


- 1 Tap **Copy** from the home screen or **Apps**.
- 2 Place the originals face up in the DSDF or place a single original face down on the scanner glass and close the DSDF (see "Loading originals" on page 46).
- 3 Adjust the settings on the **Copy** tab and **More** tab.
- 4 Enter the number of copies desired on the numeric keypad (or +, - button) on the control panel, if necessary.
- 5 Tap ,  (**Start**) from the control panel to begin copying.




To cancel the current copy job, tap **Stop**  > tap **Job Status** on the control panel. Then delete the job you want (see "Job Status" on page 35).

Using the Quick Copy menu

The **Quick Copy** menu allows you to quickly set common copy options without having to open a lower level menu or another tab. However, this menu does not offer every copy option available.





- 1 Tap **Quick Copy** from the home screen or **Apps**.
- 2 Place the originals face up in the DSDF or place a single original face down on the scanner glass and close the DSDF (see "Loading originals" on page 46).
- 3 Adjust the settings (**Paper Source, Reduce/Enlarge, Original Orientation, Darkness, Duplex, N-UP, Collation**).
- 4 Enter the number of copies desired on the numeric keypad (or +, - button) on the control panel, if necessary.
- 5 Press **Start** () on the control panel to begin copying.





To cancel the current copy job, tap **Stop**  > tap **Job Status** on the control panel. Then delete the job you want (see "Job Status" on page 35).

ID card copying

Command keys

Button	Name	Description
	Quick Menu	Open the quick menus.
	Search	Search for a desired menu or app.
	My Program	Add an app to My Program List.
	Sub menu (Action overflow)	<ul style="list-style-type: none"> • Eco: When Eco mode is enabled, you can select only economical printing settings. Tap the Eco option in the Action Overflow menu to turn Eco mode on or off. • Add to My Program: Add an app to my program list. • Print Now: Prints only one side of the ID. • Save to Box: Allows you to save scanned originals to the hard disk drive in the machine. You can then print these saved documents at a later date or store them as printable files. Tap this option in the Action Overflow menu to save a document to the hard disk drive in the machine.

Button	Name	Description
	Sub menu (Action overflow)	<ul style="list-style-type: none"> • Restore Default: Allows you to restore the copy settings to the default settings of the machine. This option changes the current copy settings to the original copy settings configured at the factory. Tap the Restore Default option in this menu to restore the default settings. • Save as Default: Allows you to save the current copy options as the default copy settings. After you save the default copy settings, all future copy tasks use these settings. Tap this option in the Action Overflow menu to save the current settings as the default settings. • ID Copy Settings <ul style="list-style-type: none"> - ID Copy: Specifies the default ID Copy method (ID Copy or Manual ID Copy). - Manual ID Copy Setup: Allows you to customize the Manual ID Copy template (see "Manual ID Copy Setup" on page 124).
		Set the number of copies printed.

(continue)

ID card copying

ID Copy

Your machine can print 2-sided originals on one sheet.

The machine prints one side of the original on the upper or left half of the paper and the other side on the lower or right half without reducing the size of the original. This feature is helpful for copying a small-sized item such as business card.




The original must be placed on the scanner glass to use this feature.

- 1 Tap **ID Copy** from the home screen or **Apps**.
- 2 If necessary, adjust the settings for each copy such as **Print Layout**, **Original Size**, **Paper Source**, **Adjust to Paper Size**, and **Align**.
Follow the instructions on the control panel.
- 3 Place front side of ID card on scan glass where arrows indicate as shown. Then, close the scanner lid.



When you place a original on the scanner glass, leave a little space between the edge of the scanner glass and the original. Otherwise, the part of original could not be printed.



- 4 Tap  .
Your machine begins scanning the front side.
- 5 Place back side of ID card on scan glass where arrows indicate as shown. Then, close the scanner lid.

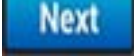
ID card copying



When you place a original on the scanner glass, leave a little space between the edge of the scanner glass and the original. Otherwise, the part of original could not be printed.



6

Tap .

Your machine begins scanning the back side.



- If the original is larger than the printable area, some portions may not be printed.

Manual ID Copy

The **Manual ID Copy** menu allows you to customize the **ID Copy** layout to print 1 to 4 originals on one sheet. You can use this menu to define the scanning position of the originals and the layout of the printed sheet.



The original must be placed on the scanner glass to use this feature.


- 1 From the home or **Apps** screen, tap **ID Copy > Manual**.
- 2 Select the **Template** and **Paper Source**. If you cannot find a suitable template, you can edit the template (see "Manual ID Copy Setup" on page 124).
- 3 Follow the instructions on the control panel.



- If the original is larger than the printable area, some portions may not be printed.

ID card copying

ID Copy Settings

The **ID Copy Settings** menu allows you to configure the default **ID Copy** and **Manual ID Copy** templates (**ID Copy** >  sub menu (action overflow) > **ID Copy Settings**).


ID Copy

The **ID Copy** setting specifies the default **ID Copy** method (**ID Copy** or **Manual ID Copy**).

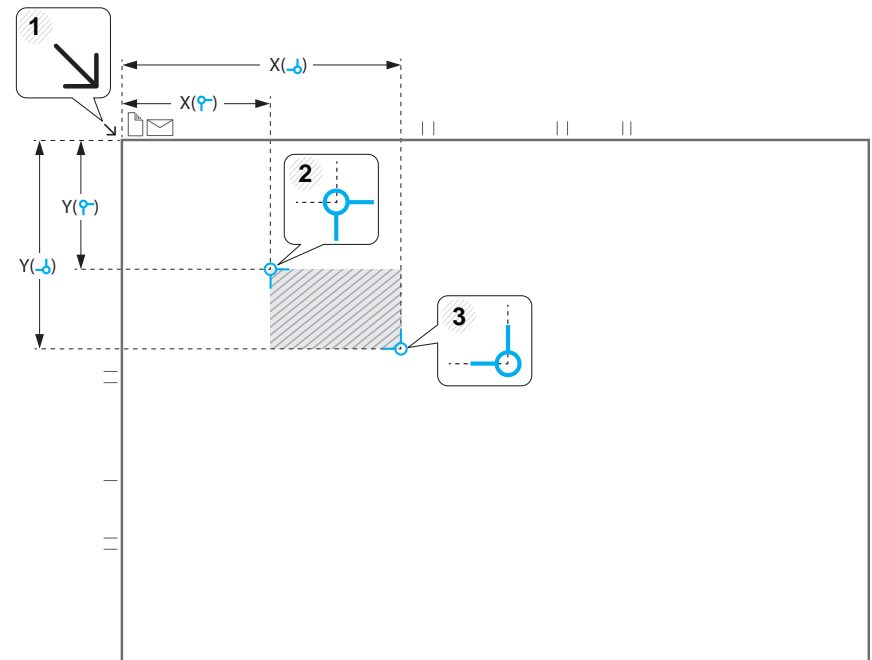
Manual ID Copy Setup

The **Manual ID Copy Setup** menu allows you to customize the manual ID copy template.

Creating a new template



- 1 From the home or **Apps** screen, tap **ID Copy** >  sub menu (action overflow) > **ID Copy Settings** > **New**.
- 2 Tap the **Template Name** text box, and then type the name of the template.

- 3 Tap the **Number of images** dropdown menu, and then select the number of images to include on the output sheet.
- 4 Input the location of the original on the scanner glass (mm).

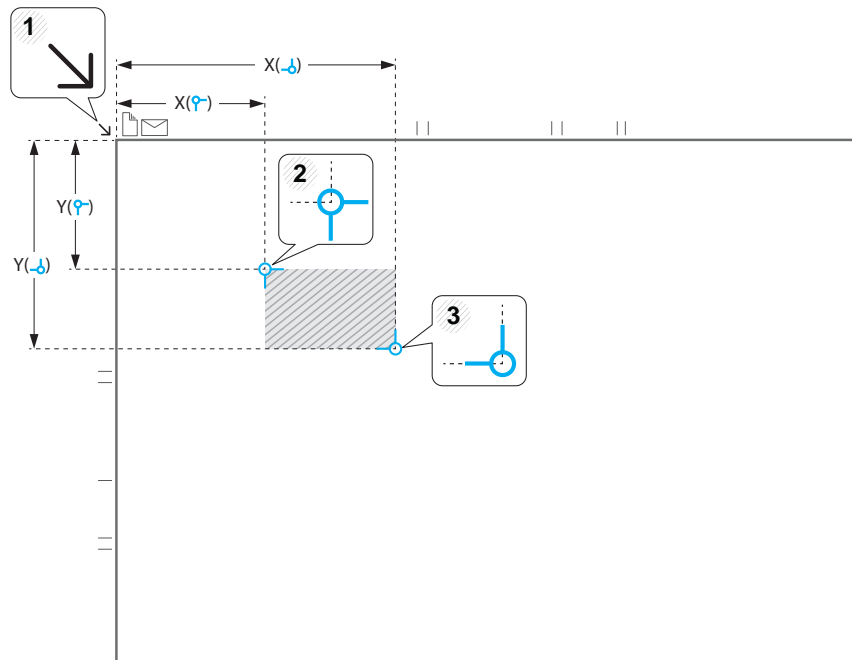




ID card copying




- You can define the scan area using two sets of x and y coordinates.
-  **(Left, Top)**: Input the x and y coordinates for the top left corner of the ID.
-  **(Right, Bottom)**: Input the x and y coordinates for the bottom right corner of the ID.
- The **Scan Position** is defined by the rectangle created between the **Left, Top** and **Right, Bottom** coordinates.

5 Input the coordinates for the **Image Position (mm)**.



- You can specify where to print the scanned images using two sets of x and y coordinates.
- The **Image Position** is defined by the rectangle created between the **Left, Top** and **Right, Bottom** coordinates.
- Define a position for the number of images specified in the **Number of Images** dropdown menu.
-  **(Left, Top)**: Input the x and y coordinates for the top left corner of the printed ID.
-  **(Right, Bottom)**: Input the x and y coordinates for the bottom right corner of the printed ID.

Deleting a template

- From the home or **Apps** screen, tap **ID Copy** >  sub menu (action overflow) > **ID Copy Settings** > **Manual ID Copy Setup**.
- Select a template.
- Tap **Delete**.
- When the warning dialog box appears, tap **OK**.




5. Scan & Send(Scanning)




Scanning with your machine lets you turn pictures and text into digital files that can be stored on your computer.

- **Understanding the Scan & Send screen** 127
- **Basic scan** 137
- **Scanning with TWAIN-enabled software** 140
- **Using Samsung Easy Document Creator** 141
- **Mac scanning** 143
- **Linux scanning** 144

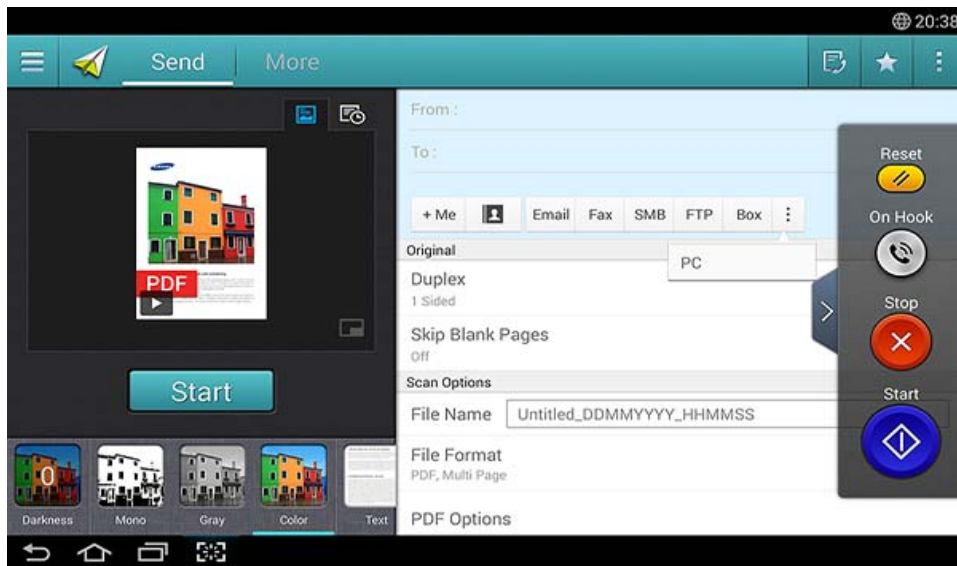


Understanding the Scan & Send screen





This section describes all scanning and fax functions. When you tap **Scan & Send** from the home screen or **Apps**, the **Scan & Send** screen appears. This screen has two tabs and many options. All options are grouped by feature so that you can configure the job easily. If want to go home, tap the home() button.

 Click the  (**Help**) from the home screen or  (quick menu) and then click on any option you want to know about.

Send tab




Command keys

Button	Name	Description
	Quick Menu	Open the quick menu.
	Fax	Send a fax.
	My Program	Shows list of added programs.
	Sub menu (Action overflow)	Open the sub menu.


+ Me

When users are logged in, the destination configured in the **My Page** profile appears.

You can set the destination in the **Send to Destination** menu of the **My Page** app (see "My Page" on page 37). Administrators can also set the default destination in the sub menu (Action overflow) > **Send Settings** > **+Me Setting**.



 You must log in to use your **+ Me** destination. If you do not log in, then the machine sends the copy to the **+ Me** destination specified by the administrator in **Scan & Send** > **Send Settings** > **+Me Setting**.




Understanding the Scan & Send screen


Button	Name	Description
	Address book	Open your saved destinations in address book.
Reorder		Reorder the destination buttons listed below the To field.

Virtual Hard Key



- Virtual hard keys are located on the right side of the screen.
- When an app is launched for the first time, the virtual hard keys are shown.
- If the ,  touched, the virtual hard keys are hidden and shown.







Button	Name	Description
	Reset	Reset to app default configuration.
	On Hook	When you press this button, you can hear a dial tone. Then enter a fax number. It is similar to making a call using speaker phone.
	Stop	Stop a job at any time. A popup window appears to show the jobs that you can stop.

Button	Name	Description
	Start	Start a job.

Understanding the Scan & Send screen

Preview


Preview displays the original scanned image.

Button	Name	Description
	Setting History	View changed options list.
	Preview for status	Shows the job preview.
	Preview for play	Preview the scanned job.   : Shows the preview in full screen mode. In full screen mode, you can edit the scanned image using functions such as rotate and crop.
	Start	Starts a job.

Easy Settings Bar

Adjusting the brightness

You can adjust the brightness level of a copy if needed for easier reading if the original contains faint markings or dark images. Adjust the brightness level using the slider. This feature allows you to print dark images lighter, or light images darker.

Tap **Darkness**  to show the slider control.



Selecting the color mode

Use one of the following options to use for the scan.

- **Mono:** Use black and white (1-bit per pixel).
- **Gray :** Use grayscale (8-bit per pixel).
- **Color:** Use color (24-bit per pixel, each of the RGB channels has 8 bits).

Understanding the Scan & Send screen

Selecting the original type

Use the original type setting to improve copy quality by selecting the appropriate document type for a copy job.

- **Text:** Use if the original is mostly text and very few or no images.
- **Text/Photo:** Use if the original is a mix of text and images.
- **Photo:** Use if the original is mostly or exclusively images.

Scan Settings

Sub menu (Action overflow)

- **Add to My Program:** Add an app to my program list. With this feature, user can set default settings, destinations required for each program. Also can set default options as Auto Launch, add shortcut to Home.
- **Search:** Search for a desired options.
- **Build Job:** Specifies whether to prompt you after scanning a page. When enabled, the **Scan More** window appears after the machine scans a page to ask you if you want to scan another page. If you select **Yes**, then you can scan another page in the current job. If you select **No**, then the scanning process ends and the machine performs the remainder of the job. When building a job, you can use the DADF or the platen. The platen might be useful if you have more papers than can be loaded in the DADF.

- **ID Send:** Allows you to quickly scan IDs and send the image to an SMB, FTP, or Email address or save it to the Box or a USB storage device.
- **Attach File Only :** Allows you to attach a file to your message. You can use this option to quickly send one or more files from the hard disk drive (BOX) of the machine to an SMB, FTP, Email, Box, USB.
- **Scan and Attach File :** Allows you to scan and attach images to your message. You can use this option to quickly send a scanned image or a file on the hard disk drive (Box) of the machine to an SMB, FTP, or Email, address or save it to the Box or a USB storage device.
- **Save as Default :** Allows you to save the current **Scan & Send** settings as the default **Scan & Send** settings. After you save the default **Scan & Send** settings, all future send tasks use these settings. Tap this option in the Action Overflow menu to save the current settings as the default **Scan & Send** settings.
- **Restore Default :** Allows you to restore the **Scan & Send** settings to the default **Scan & Send** settings of the machine. This option changes the current **Scan & Send** settings to the original settings configured at the factory. Tap this option in the Action Overflow menu to restore the default **Scan & Send** settings.
- **Send Settings:** Allows you to quickly scan a document and send it to a destination. The scanned document is sent as an image file. Tap this option in the sub menu (action overflow menu) to scan and attach a file to the current message.
 - **Filing Policy :** The **Filing Policy** setting specifies how the machine handles name conflicts when saving files.

Understanding the Scan & Send screen

- **Print Confirmation Report:** You can use this feature to get confirmation on executed **Scan & Send** destination's successfully or not.



If the report contains characters or fonts that the machine does not support, then **Unknown** may appear in the report instead of the characters/fonts.

- **+Me Setting:** Allows you to select the default destination for the send job. When logged in, you can select your any Send destination as the default send destination. Same will appear in **Scan & Send** widgets too.
- **Keep Previous Destination:** This option can be turned on or off. When this option is on: remain destination that have been sent successfully in destination field after sending job is completed.
- **Address Book Settings:** This address book contains contacts that are available to all users. You can use the address book to make contacts available to anyone who uses the machine.
 - **Google Address Book :** This address book contains the contacts registered in your Google contacts list. You must log into your Google account to access your **Google Address Book**.
- **UI Configuration:** Allows you to select the options that appear in the **Scan & Send** menu. Tap the + or - symbol on the menu icons to add or remove menus. You can also tap and hold a menu icon to move it to a different position or tap **Clear All** to remove all the menus.



Administrator only.

Job progress

This menu appears whenever the machine is processing a job.

- **Detail :** Tap this button to see the status, type, and time of the job.
- **Preview Area :** Allows you to see a preview of the document being copied. The image in the preview area indicates the current send settings, such as the orientation and size of the printout.
- **Send Feedback :** Allows you to send feedback about the current send job. If you want to receive sending job by email, you can set from **My page** app (see "Understanding the My Page menu" on page 38).






To use this feature, you may need to log-in as an administrator (see "Log-in" on page 311).

Understanding the Scan & Send screen

Setting options

You can set a detail options in the **Scan & Send** tab and **More** tab.



- You can customize the UI of each tab using UI configuration option (**Scan & Send** >  sub menu > **UI Configuration**).
- Some menus are disabled. If so, it is not available to your machine.
- Some menus may not appear on the display depending on options or models. If so, it is not applicable to your machine.
- Click the  (**Help**) from the home screen or  (quick menu) and then click on any option you want to know about.

Add Destination

Tap  to add a recipient's email address or a fax number. If you want to send to + **Me, Email, SMB, FTP, Box, PC** or **USB** click on respective buttons.

Original

This setting is used to improve the scan quality by selecting the document type for the current scan job.

- **Duplex**
 - **1 Sided:** For originals that are printed on one side only.
 - **2 Sided, Book:** For originals that are printed on both sides.

- **2 Sided, Calendar:** For originals that are printed on both sides, but the back is rotated 180 degrees.
- **Skip Blank Pages:** Specifies whether the machine scans and prints blank pages in the original.



To use **2 Sided, Book** and **2 Sided, Calendar**, load the originals on the DSDF. If the machine cannot detect the original on the DSDF, it automatically changes to **1 Sided**.

Scan Options

Set file options of the scanned output.

- **File Name:** Enter a file name to store the scan file name at destination.
- **File Format:** Select a file format for the scanned output.
- **PDF Options:** Sets the options for creating PDF files.
 - **Compact:** Compresses the originals to create a smaller file. This compression method differs from the normal PDF format. Some data may be lost during compression.
 - **Add Digital Signature:** Inserts a digital signature on the PDF with certification.



This feature is available only if you set the digital signature in the SyncThru™ Web Service. To register a digital signature, select **Security** tab > **Network Security** > **Digital Certificate** in the SyncThru™ Web Service.

Understanding the Scan & Send screen

- **PDF Encryption:** Encrypts the PDF file and protects it with a password.
- **Searchable:** Detects the text in the scanned image and creates a searchable PDF for text searching.
- **PDF Format:** Specifies the PDF format to use (**Standard** or **PDF/A**).
- **Resolution:** Adjust the document resolution. The higher this value, the clearer the result, but scan time may take longer.
- **Quality:** Use this option to produce a high quality document. The higher quality you select, the larger file size.
- **OCR Language:** When producing scanned output for OCR software, select the appropriate language.
- **Super Fine:** Recommended for originals containing fine details. This option is only available if the receiving machine also supports **Super Fine** resolution.
- **Ultra Fine:** Recommended for originals containing extremely fine details. This option is only available if the receiving machine also supports **Ultra Fine** resolution.
- **Line Selection**
 - Select a fax line when your machine has multiple fax lines.



This feature is available when set the **Searchable** in **PDF Options**.

Fax Options (fax user only)

If you send originals that are of poor quality, or contain photographs, you can adjust the resolution to produce a higher quality fax.

- **Resolution**
 - **Standard:** Usually recommended for originals with text. This option will reduce the transmission time.
 - **Fine:** Recommended for the originals containing small characters, thin lines, or text from a dot-matrix printer.

Setting options

The **More** tab provides three additional sections.

Book Scan

Use this feature to scan a book. If the book is too thick, lift the DSDF until its hinges are engaged by the stopper, then close the DSDF. If the book or magazine is thicker than 30 mm (1.18 inches), start copying with the DSDF open.

- **Off:** Disable this feature.
- **Left Page:** Scans only the left page of the book.
- **Right Page:** Scans only the right page of the book.
- **Both Pages(From Left):** Scans both facing pages from the left page.
- **Both Pages(From Right):** Scans both facing pages from the right page.

Understanding the Scan & Send screen

- **Book Center & Edge Erase:** You can set shaded areas to erase shadows caused by bindings or book edges from the center and side edges of copies.

Advanced Fax (fax user only)

Set the sending options for fax, such as **Quick Start Fax** and **Delay Send**.

- **Off:** Disables this feature.
- **Quick Start Fax:** The machine will begin to transmit the fax right after the first page has been scanned. Originals with many pages can be sent this way without overflowing the machine's memory.
- **Delay Send:** Set your machine to send a fax at scheduled time. Define the **Job Name** and **Start Time**.



You can delay a fax by any length of time starting 1 minute and 24 hours after the scan.

Email Settings

Set email information, such as **From**, **Subject** and **Message**.

Original Type

Use this setting to improve copy quality by selecting the appropriate document type for the current job.

- **Text:** Use if the original is mostly text and very few or no images.
- **Text/Photo:** Use if the original is a mix of text and images.
- **Photo:** Use if the original is mostly or exclusively images.


Original Size

Use this option to set the actual paper size of the originals.

- **Auto:** Automatically detect the size of original (see "Media sizes automatically detected" on page 59).
- **Mixed Size:** Automatically detect the size of original if the original uses a combination of different paper types (see "Loading mixed sizes of originals" on page 49).
- **Custom size:** Set a custom paper size. Use the arrows to set the required size.

Understanding the Scan & Send screen



- Adding a custom preset
 - 1 Set a custom value.
 - 2 Tap the  button, and then input the name of the preset.
 - 3 Tap **OK**.
- Editing or deleting a preset
 - 1 Tap and hold the custom preset that you want to edit or delete.
 - 2 Select **Edit** or **Delete**.



Original Orientation

Use this option to set the orientation of the original.

- **Upright Images:** The original is in landscape orientation. The images or text in the original are parallel to the long edge of the page.
- **Sideways Images:** The original is in portrait orientation. The images or text in the original are perpendicular to the long edge of the page.



Color Mode

Use one of these options to scan the original among Color, Gray or Mono.

- **Mono:** Displays an image in black and white.
- **Gray:** Displays an image in gray.
- **Color:** Displays an image in color.



The file format JPEG cannot be selected in the **File Format** option, if **Mono** has been selected for **Color Mode** and viceversa.



Erase Edge

Use this option to erase the margins of the scanned document. The **Erase Edge** function removes a specific amount from each edge of the document.



Scan To Edge

Use this option to scan the document all the way to the edge of the paper.



Image Adjustment

This option allows you to manually adjust the image **Darkness**, **Sharpness** and **Contrast**.

- **Darkness:** Allows you to adjust the darkness of the scanned output file. This feature is useful when scanning faded originals or originals with little contrast.
- **Sharpness:** Allows you to adjust the edges of text so that it is easier to read. You can also use this feature to enhance the details of images.
- **Contrast:** allows you to adjust the contrast to make the scanned output crisper or smoother. You can use this feature to improve the quality of an image or increase the readability of text.

Understanding the Scan & Send screen



Background Adjustment

This option allows you to compensate for originals that contain color in the background, such as newspapers or catalogs. You can use the options in this menu to make the copies easier to read.


- **Background Density:** Allows you to adjust the density of the background in the scanned image. This feature is useful when scanning originals that have turned yellow from age or originals with a dark background.
- **Backside Image:** Allows you to erase any text or images that show through from the other side of the original. You can use this feature to ensure that your scanned output is clearly legible.



Basic scan

This is the usual procedure to scan your original documents.


- 1 Tap **Scan & Send** from the home screen or **Apps**.
- 2 Place the originals face up in the DSDF or place a single original face down on the scanner glass and close the DSDF (see "Loading originals" on page 46).
- 3 Adjust the settings in the **Send** tab and **More** tab.
- 4 Tap the **From** field, and then input the sender's information.
- 5 Tap  to add an email address or fax number as a destination. To send the scan to a different destination, tap the **+ Me, Email, SMB, FTP, Box, USB, PC** click on respective buttons or  (**Address book**).



-  (**Add Destination**) : Allows you to enter the email address or fax number directly in the destination field.
- **Reorder** : Allows you to reorder the destination buttons listed below the To field.




- 6 Tap  .  (**Start**) from the control panel to begin scan.



To cancel the current send job, tap  (**Stop**), then tap **Job Status** on the control panel, and then delete the job you want (see "Job Status" on page 35).

ID Send

Command keys

Button	Name	Description
	Search	Search for a desired menu or app.
	My Program	Add an app to My Program List.
	Sub menu (Action overflow)	<ul style="list-style-type: none">• Add to My Program: Add an app to my program list.• Send Now: If you want to send one side, using this function when scan one side.• Restore Default: Allows you to restore the ID send settings to the default settings of the machine. This option changes the current ID send settings to the original ID send settings configured at the factory. Tap the Restore Default option in this menu to restore the default settings.• Save as Default: Allows you to save the current send options as the default ID send settings. After you save the default ID send settings, all future send tasks use these settings. Tap this option in the Action Overflow menu to save the current settings as the default settings.




ID Send

The ID Send menu allows you to scan and send 2-sided originals onto one sheet.

The machine scans one side of the original on the upper or left half of the sheet and the other side on the lower or right half without reducing the size of the original. You can use this feature to quickly scan IDs and send the image to an SMB, FTP, or Email address or save it to the Box or a USB storage device.



The original must be placed on the scanner glass to use this feature.

- 1 From the home or **Apps** screen, tap **Scan & Send** >  sub menu (action overflow) > **ID Send**.
- 2 Tap the **From** field and input the sender's information.
- 3 Select a destination using  (**Add Destination**), + **Me, Email, SMB, FTP, Box, USB, PC** or  (**Address book**).
- 4 If necessary, adjust the settings for the copy. Follow the instructions on the control panel to adjust the **Image Layout, Original Size, Send Size, Align, File Name, File Format** and **Resolution**.

ID Send

- 5 Place the front side of the ID where the arrows indicate on the scanner glass. Then, close the scanner lid.



When you place a original on the scanner glass, leave a little space between the edge of the scanner glass and the original. Otherwise, part of the original may not be printed.



- 6 Tap **Start**.

The machine begins scanning the front of the ID.

- 7 Place the back of the ID where the arrows indicate on the scanner glass. Then, close the scanner lid.



When you place a original on the scanner glass, leave a little space between the edge of the scanner glass and the original. Otherwise, part of original could not be printed.



- 8 Tap **Next**.

The machine begins scanning the back of the ID.



- If the original is larger than the printable area, some portions may not be printed.

Scanning with TWAIN-enabled software

If you want to scan documents using other software, you need to use TWAIN-compliant software, such as Adobe Photoshop.

Follow the steps below to scan with TWAIN-compliant software:

- 1** Make sure that the machine is connected to your computer and powered on.
- 2** Place the originals face up in the DSDF or place a single original face down on the scanner glass and close the DSDF (see "Loading originals" on page 46).
- 3** Open an application, such as Adobe Photoshop.
- 4** Open the TWAIN window and set the scan options.
- 5** Scan and save your scanned images.

Using Samsung Easy Document Creator

Samsung Easy Document Creator is an application to help users scan, compile, and save documents in multiple formats (including .epub). These documents can be shared over social networking sites or fax. Whether you're a student organizing research from a library or a stay-at-home parent sharing scanned pictures from last year's birthday party, Easy Document Creator will provide you with the necessary tools.



- Available for Windows OS only.
- Requires Windows XP or higher and Internet Explorer 6.0 or higher.
- Samsung Easy Document Creator is installed automatically when you install the machine software.

The Samsung Easy Document Creator provides the following features:

- **Image Scanning:** Use to scan single or multiple pictures.
- **Document Scanning:** Use to scan documents with text or text and images.
- **Text Converting:** Use to scan documents that need to be saved in an editable text format.
- **Book Scanning:** Use to scan books with the flatbed scanner.
- **SNS Upload:** Use to quickly and easily upload scanned images or existing images to a variety of social networking sites (SNS).
- **E-Book Conversion:** Use to scan multiple documents together as one e-book or combine existing files into an e-book.
- **Plug-in:** Scan and fax directly from the Microsoft Office program.



Click **?** (**Help**) in the upper-right corner of the window, then click on any option you want to know more about.

Scanning with Samsung Easy Document Creator


Samsung Easy Document Creator is an application to help users scan, compile, and save documents in multiple formats, including .epub format.

- 1 Place a single document face down on the document glass, or load the documents face up into the document feeder (see "Loading originals" on page 46).
- 2 From the Windows **Start** menu, click **Programs** or **All Programs**.
- 3 Click **Samsung Printers**, and run **Samsung Easy Document Creator**.
- 4 Click **Scan** from the home screen.
- 5 Select the type of scanning or a favorites then click **Start**.
- 6 Make adjustments to the image (**Scan Settings** and **More Options**).
- 7 Click **Scan** to scan a final image or **Prescan** to get another preview.
- 8 Select **Save to Location**, **Send to Email**, or **Send to SNS**.

Using Samsung Easy Document Creator

- 9 Click **Save** (to save the scanned image), **Send** (to email the scanned image), or **Share** (to upload the scanned image).



If there is room on the scanning glass, you can scan more than one item at a time. Use the  tool to define multiple selection areas.

Mac scanning

Scanning from USB connected machine

- 1 Make sure that the machine is connected to your computer and powered on.
- 2 Place a single document face down on the document glass, or load the documents face up into the document feeder (see "Loading originals" on page 46).
- 3 Start **Applications** and click **Image Capture**.



If **No Image Capture device connected** message appears, disconnect the USB cable and reconnect it. If the problem continues, refer to the **Image Capture's** help.

- 4 Select the option you want.
- 5 Scan and save your scanned image.



If scanning does not operate in **Image Capture**, update Mac OS to the latest version.

Scanning from network connected machine

- 1 Make sure that your machine is connected to a network.
- 2 Place a single document face down on the document glass, or load the documents face up into the document feeder (see "Loading originals" on page 46).
- 3 Start **Applications** and click **Image Capture**.
- 4 According to OS, follow steps below.
 - For 10.5
 - Click **Devices** > **Browse Devices** on Menu bar.
 - Make sure that **Connected** checkbox is checked beside your machine in **Bonjour Devices**.
 - For 10.6 or higher, select your device below **SHARED**.
- 5 Set the scan options on this program.
- 6 Scan and save your scanned image.



- If scanning does not operate in Image Capture, update Mac OS to the latest version.
- For more information, refer to the **Image Capture's** help.
- You can also scan using TWAIN-compliant software, such as Adobe Photoshop.
- You can scan using Samsung Scan Assistant software. Open the **Applications** folder > **Samsung** folder > **Samsung Scan Assistant**.

Linux scanning

Scanning

- 1 Make sure that the machine is connected to your computer and powered on.
- 2 Launch a scan application such as xsane or simple-scan(If it's not installed, please install it manually to use scan features. For example, you may use "yum install xsane" for rpm package systems and "apt-get install xsane" for deb package systems to install xsane).
- 3 Select your device from the list and set the scan options to apply.
- 4 Click the **Scan** button.



6. Faxing(Optional)

This guide gives you information about using your machine as a fax machine.

- **Preparing to fax** 146
- **Using a fax in your computer** 147
- **Understanding the fax screen** 149
- **Sending a fax** 157
- **Receiving a fax** 159

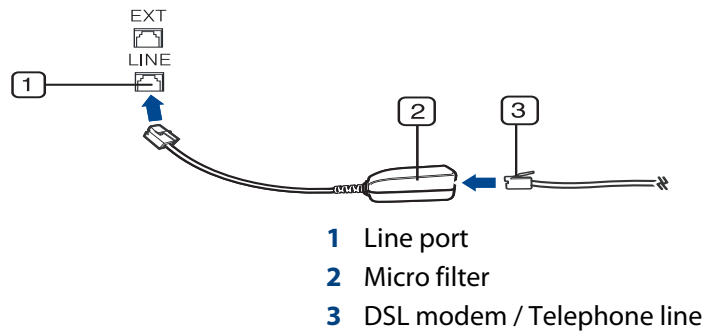


The fax features are included in the **Scan & Send** app. This chapter explains only the features related to faxing in this app. To learn more about the other features available in the **Scan & Send** app, refer to the **Scan & Send** chapter.

Preparing to fax



- You cannot use this machine as a fax through the internet phone. For more information, ask your internet service provider.
- We recommend you use traditional analog phone services like PSTN (public switched telephone network) when using a phone line as a fax line. If you use internet services (DSL, ISDN, VoIP), you can improve the connection quality by using a micro-filter. A micro-filter reduces noise and improves connection quality. Since a DSL micro-filter is not provided with the machine, contact your internet service provider.



Before you send or receive a fax, you must connect the supplied cord to the wall jack. Refer to "Quick installation guide". The method of connecting a telephone line varies by country.

Using a fax in your computer

You can send a fax directly from your computer. Make sure that your machine and the computer are connected to the same network.

Sending a fax (Windows)

To send a fax from your computer, the **Samsung Network PC Fax** program must be installed. You can install the **Samsung Network PC Fax** driver from the software CD. When the installation window appears, select **Installation Now**. You can select the **Samsung Network PC Fax** driver in the **Select Software** window.

- 1 Open the document you want to send.
- 2 Select **Print** from the **File** menu.
The **Print** window will be displayed. It may look slightly different depending on your application.
- 3 Select **Samsung Network PC Fax** from the **Print** window
- 4 Click **Print** or **OK**.
- 5 Enter the recipient's fax number and set any options if necessary.



For more information about **Samsung Network PC Fax**, click **Help**.

- 6 Click **Send**.

Checking a sent fax list (Windows)

You can check a sent fax list on your computer.

From the **Start** menu, click **Programs** or **All Programs** > **Samsung Printers** > **Network PC Fax** > **Fax Transmission History**. Then, the **Fax Journal** appears with the fax list you have sent.



For more information about **Fax Transmission History**, click **Help**.



Sending a fax (Mac)

To send a fax from your computer, the **Fax Utilities** program must be installed. This program is installed when you install the printer driver.


The following steps are based on the Mac OS X 10.5 or 10.6. Depending on the OS version, the following steps may be different. Before sending a fax, add a fax driver using **Fax Queue Creator**.




- 1 Open the document you want to send.
- 2 Select **Print** from the **File** menu.
- 3 Select a fax driver from the **Printer** list.

Using a fax in your computer

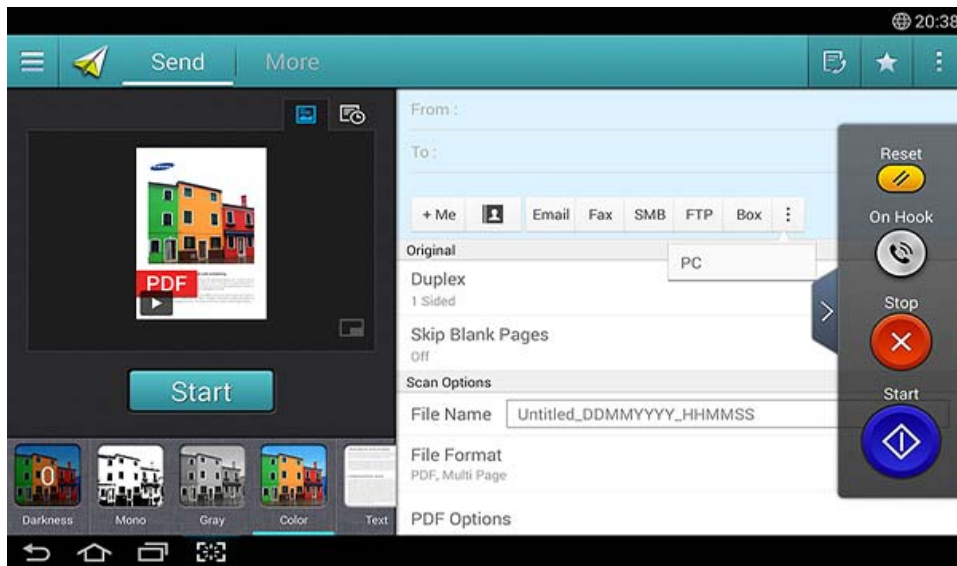
- 4 Choose the number of copies and pages.
- 5 Choose your paper size, orientation, and scale.
- 6 Enter the recipients' fax number in **To** input box. If you have stored frequently-used fax numbers, you can also use **Addresses** by pressing the  button.
- 7 If necessary, enter the access code in **Dialing Prefix**.
- 8 If necessary, check **Use Cover page** to send the fax with a cover page.
- 9 Enter the subject and message of the fax job.
- 10 Click **Fax**.
- 11 The Fax Queue icon () appears on your Mac dock. Click the icon to see the status of the fax job. You can also delete, hold, pause and resume jobs from this window.

Understanding the fax screen





This section describes all scanning and fax functions. When you tap **Send** from the home screen or **Apps**, the **Send** screen appears. This screen has two tabs and many options. All options are grouped by feature so that you can configure the job easily. If want to go home, tap the home() button.

 Click the  (**Help**) from the home screen or  (quick menu) and then click on any option you want to know about.

Send tab




Command keys

Button	Name	Description
	Quick Menu	Open the quick menu.
	Fax	Send a fax.
	My Program	Shows list of added programs.
	Sub menu (Action overflow)	Open the sub menu.


+ Me

When users are logged in, the destination configured in the **My Page** profile appears.

You can set the destination in the **Send to Destination** menu of the **My Page** app (see "My Page" on page 37). Administrators can also set the default destination in the sub menu (Action overflow) > **Send Settings** > **+Me Setting**.



 You must log in to use your **+ Me** destination. If you do not log in, then the machine sends the copy to the **+ Me** destination specified by the administrator in **Send>Send Settings > +Me Setting**.





Understanding the fax screen

Button	Name	Description
	Address book	Open your saved destinations in address book.

Virtual Hard Key



- Virtual hard keys are located on the right side of the screen.
- When an app is launched for the first time, the virtual hard keys are shown.
- If the ,  touched, the virtual hard keys are hidden and shown.







Button	Name	Description
	Reset	Reset to app default configuration.
	On Hook	When you press this button, you can hear a dial tone. Then enter a fax number. It is similar to making a call using speaker phone.
	Stop	Stop a job at any time. A popup window appears to show the jobs that you can stop.
	Start	Start a job.

Preview

Preview displays the original scanned image.




You cannot use the preview function while sending a fax.

Button	Name	Description
	Setting History	View changed options list.
	Preview for status	Shows the job preview.
	Preview for play	Preview scanned job.   :Shows the full screen and allows to edit in full screen mode. Adjust the prescanned image with operation functions such as rotate and crop.
	Start	Starts a job.

Understanding the fax screen

Adjusting the brightness

You can adjust the brightness level of a copy if needed for easier reading if the original contains faint markings or dark images. Adjust the brightness level using the slider. This feature allows you to print dark images lighter, or light images darker.

Tap **Darkness**  to show the slider control.



Selecting the original type

Use the original type setting to improve copy quality by selecting the appropriate document type for a copy job.

- **Text:** Use if the original is mostly text and very few or no images.
- **Text/Photo:** Use if the original is a mix of text and images.
- **Photo:** Use if the original is mostly or exclusively images.

Sub menu (Action overflow)

- **Add to My Program:** Add an app to my program list. With this feature, user can set default settings, destinations required for each program. Also can set default options as Auto Launch, add shortcut to Home.
- **Search:** Search for a desired options.
- **Build Job:** This option can be turned on or off. When this option is on: After the scanning is finished, the **Scan More** window appears to ask if you want to scan another page. If you select **Yes**, then you can scan another page in the current job. If you select **No**, then the scanning process is completed and the remainder of the job is performed.
- **Save as Default:** Allows you to save the current **Scan & Send** settings as the default **Scan & Send** settings. After you save the default **Scan & Send** settings, all future send tasks use these settings. Tap this option in the Action Overflow menu to save the current settings as the default **Scan & Send** settings.
- **Restore Default:** Allows you to restore the **Scan & Send** settings to the default **Scan & Send** settings of the machine. This option changes the current **Scan & Send** settings to the original settings configured at the factory. Tap this option in the Action Overflow menu to restore the default **Scan & Send** settings.

Understanding the fax screen

- **Send Settings:** Allows you to quickly scan a document and send it to a destination. The scanned document is sent as an image file. Tap this option in the sub menu (action overflow menu) to scan and attach a file to the current message.
 - **Print Confirmation Report:** You can use this feature to get confirmation on executed **Scan & Send** destination's successfully or not.



If the report contains characters or fonts that the machine does not support, then **Unknown** may appear in the report instead of the characters/fonts.

- **+Me Setting:** Allows you to select the default destination for the send job. When logged in, you can select your any Send destination as the default send destination. Same will appear in **Scan & Send** widgets too.
- **Address Book Settings:** This address book contains contacts that are available to all users. You can use the address book to make contacts available to anyone who uses the machine.
 - **Google Address Book:** This address book contains the contacts registered in your Google contacts list. You must log into your Google account to access your **Google Address Book**.
- **UI Configuration:** Allows you to select the options that appear in the **Scan & Send** menu. Tap the + or - symbol on the menu icons to add or remove menus. You can also tap and hold a menu icon to move it to a different position or tap **Clear All** to remove all the menus.



Administrator only.

Job progress

This menu appears whenever the machine is processing a job.

- **Detail:** Tap this button to see the status, type, and time of the job.
- **Preview Area:** Allows you to see a preview of the document being fax. The image in the preview area indicates the current send settings, such as the orientation and size of the fax.
- **Send Feedback:** Allows you to send feedback about the current send job. If you want to receive sending job by email, you can set from **My page** app (see "Understanding the My Page menu" on page 38).






To use this feature, you may need to log-in as an administrator (see "Log-in" on page 311).

Setting options

You can set a detail options in the **Send** tab and **More** tab.

Understanding the fax screen



- You can customize the UI of each tab using UI configuration option (**Send** >  Sub menu(action overflow) > **UI Configuration**).
- Some menus are disabled. If so, it is not available to your machine.
- Some menus may not appear on the display depending on options or models. If so, it is not applicable to your machine.
- Click the  (Help) from the home screen or  (quick menu) and then click on any option you want to know about.

Original

This setting is used to improve the scan quality by selecting the document type for the current scan job.

- **Duplex**
 - **1 Sided:** For originals that are printed on one side only.
 - **2 Sided, Book:** For originals that are printed on both sides.
 - **2 Sided, Calendar:** For originals that are printed on both sides, but the back is rotated 180 degrees.
- **Skip Blank Pages:** Specifies whether to print blank pages in the original.



To use **2 Sided, Book** and **2 Sided, Calendar**, load the originals on the DSDF. If the machine cannot detect the original on the DSDF, it automatically changes to **1 Sided**.

Fax Options

If you send originals that are of poor quality, or contain photographs, you can adjust the resolution to produce a higher quality fax.

- **Resolution**
 - **Standard:** Usually recommended for originals with text. This option will reduce the transmission time.
 - **Fine:** Recommended for the originals containing small characters, thin lines, or text from a dot-matrix printer.
 - **Super Fine:** Recommended for originals containing fine details. This option is only available if the receiving machine also supports **Super Fine** resolution.
 - **Ultra Fine:** Recommended for originals containing extremely fine details. This option is only available if the receiving machine also supports **Ultra Fine** resolution.



Book Scan

Use this feature to scan a book. If the book is too thick, lift the DSDF until its hinges are engaged by the stopper, then close the DSDF. If the book or magazine is thicker than 30 mm (1.18 inches), start copying with the DSDF open.

- **Off:** Disable this feature.
- **Left Page:** Scans only the left page of the book.
- **Right Page:** Scans only the right page of the book.
- **Both Pages(From Left):** Scans both facing pages from the left page.

Understanding the fax screen

- **Both Pages(From Right):** Scans both facing pages from the right page.
- **Book Center & Edge Erase:** You can set shaded areas to erase shadows caused by bindings or book edges from the center and side edges of copies.

Advanced Fax

Set the sending options for fax, such as **Quick Start Fax** and **Delay Send**.

- **Off:** Disables this feature.
- **Quick Start Fax:** The machine will begin to transmit the fax right after the first page has been scanned. Originals with many pages can be sent this way without overflowing the machine's memory.
- **Delay Send:** Set your machine to send a fax at scheduled time. Define the **Job Name** and **Start Time**.



You can delay a fax by any length of time starting 1 minute and 24 hours after the scan.

Original Type

Use this setting to improve copy quality by selecting the appropriate document type for the current job.

- **Text:** Use if the original is mostly text and very few or no images.
- **Text/Photo:** Use if the original is a mix of text and images.
- **Photo:** Use if the original is mostly or exclusively images.

Original Size

Use this option to set the actual paper size of the originals.

- **Auto:** Automatically detect the size of original (see "Media sizes automatically detected" on page 59).

Original Orientation

Use this option to set the orientation of the original.

- **Upright Images:** The original is in landscape orientation. The images or text in the original are parallel to the long edge of the page.
- **Sideways Images:** The original is in portrait orientation. The images or text in the original are perpendicular to the long edge of the page.

Image Adjustment

This option allows you to manually adjust the image **Darkness**, **Sharpness** and **Contrast**.

- **Darkness:** Allows you to adjust the darkness of the scanned output file. This feature is useful when scanning faded originals or originals with little contrast.
- **Sharpness:** Allows you to adjust the edges of text so that it is easier to read. You can also use this feature to enhance the details of images.

Understanding the fax screen

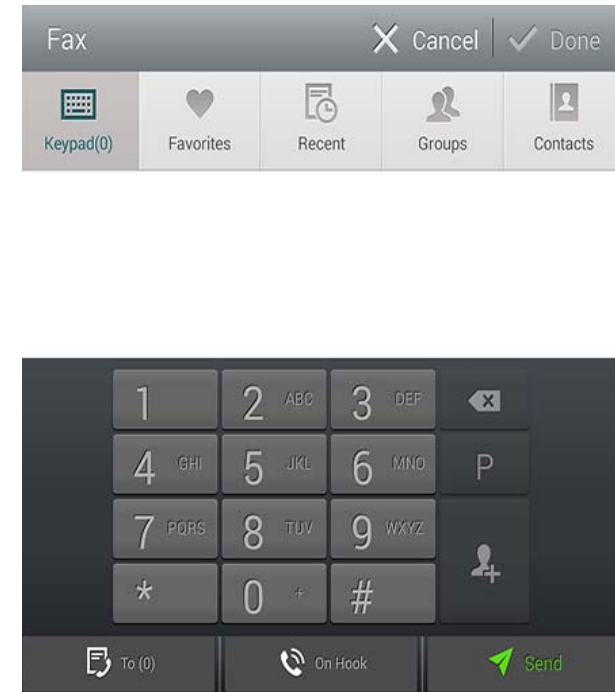
- **Contrast:** allows you to adjust the contrast to make the scanned output crisper or smoother. You can use this feature to improve the quality of an image or increase the readability of text.

Background Adjustment



This option allows you to compensate for originals that contain color in the background, such as newspapers or catalogs. You can use the options in this menu to make the copies easier to read.

- **Background Density:** Allows you to adjust the density of the background in the scanned image. This feature is useful when scanning originals that have turned yellow from age or originals with a dark background.
- **Backside Image:** Allows you to erase any text or images that show through from the other side of the original. You can use this feature to ensure that your scanned output is clearly legible.










Fax screen



Command keys

Button	Name	Description
	Keypad	Open the keypad.
	Favorites	Open a list of frequently-used addresses.

Understanding the fax screen

Button	Name	Description
	Recent	View any recently-used addresses.
	Groups	Open a list of group addresses.
	Contacts	Open a list of your contacts.
	Pause	Pause the current job.
	Add Contacts	Add a new contact to your addresses.
	Add To	Add to the destination list.
	Destination List	Open the destination list.
	On Hook	Enable On Hook dialing. When you hear the dial tone, enter a fax number using the numeric keypad on the control screen.
	Send	Send the fax.

Sending a fax

This section explains how to send a fax and the special methods of transmission.



You can place the originals use either the DSDF or the scanner glass. If the originals are placed on both the DSDF and the scanner glass, the machine will read the originals on the DSDF first, because it has higher scan priority.

Setting the fax header

In some countries, you are required by law to specify your fax number on any fax you send.

- 1 Tap **Settings** > **Fax Settings** > **Machine ID & Fax No** on the display screen.
- 2 Tap the **ID Name** input box. The pop-up keyboard appears.
- 3 Enter your name or the company name (see "Understanding the pop-up keyboard" on page 39).
- 4 Tap **Done**.
- 5 Tap the **Fax Number** input box.
- 6 Enter your fax number using the numeric keypad on the control panel.
- 7 Tap **Done**.
- 8 Tap or select other settings.

Sending a fax

- 1 Place the originals face up in the DSDF or place a single original face down on the scanner glass and close the DSDF (see "Loading originals" on page 46).
- 2 Tap **Scan & Send** from the home screen or **Apps**.
- 3 Adjust the document settings in the **Send** tab or **More** tab.
- 4 Tap and enter a fax number directly using on the screen, then tap or using **Favorites**, **Recent**, **Groups**, **Contacts** tap from the display screen.




- You can send a fax up to 50 destinations at once.
- You can view and delete a destination from **Destination List** ().
- To insert a pause, tap **P** while entering the fax number. A dash (-) appears on the display when a pause is inserted.
- If you want to use **On Hook** dial, tap and enter a fax number using the numeric keypad on the screen while you hear the dial tone.

- 5 Press to start the process.

Sending a fax



- You can send a fax directly from your computer (see "Using a fax in your computer" on page 147).
- When you want to cancel a fax job, tap  (**Stop**) from virtual hard key before the machine starts transmission. Or tap **Job Status** from the home screen or **Apps**, select the job you want to delete (see "Job Status" on page 35).
- You cannot send emails with the machine while it is sending a fax.

Sending a fax using speed dial numbers

When you are prompted to enter a destination number for your fax, you can use a speed dial number previously set by you.



- 1-500 can be assigned for the speed dial numbers
- For one-digit speed dial numbers, press and hold the corresponding number on the numeric keypad on the control panel.
- For two or more digit speed dial numbers, press the first digit button and hold the last number on the numeric keypad on the control panel.

Resending automatically

If the line is busy or there is no answer when you send a fax, the machine automatically redials the number.

To change the time interval between redials and/or the number of redial attempts, follow the steps below:

Tap **Settings** > **Fax Settings** > **Redial** on the display screen.

Delaying a fax transmission

You can set your machine to send a fax at a later time (see "Advanced Fax (fax user only)" on page 134).

Receiving a fax

This section explains how to receive faxes, and the special options available.

Changing Receive Mode

Your machine is preset to **Fax** mode at the factory. When you receive a fax, the machine answers the call after a specified number of rings and automatically receives the fax. If you want to change to another receive mode, follow the steps below:


Tap **Settings** > **Fax Settings** > **Receive Mode** on the display screen.

- **Telephone:** Allows you to connect a telephone to the machine and use the same line for faxing and phone calls. If you answer the phone to an incoming fax, enter the **Receive start code** on the telephone to receive the fax.
- **Fax:** Receive incoming faxes normally and immediately enter the fax reception mode.
- **Answering Machine/Fax:** Use when an answering machine is attached to your machine. Your machine answers the incoming call, and the caller can leave a message on the answering machine. If the fax machine senses a fax tone on the line, the machine automatically switches to **Fax** mode to receive the fax.



Receive start code: When you receive a call on the extension phone and hear fax tones, press the keys *9* on the extension phone. The machine receives the fax. Press the buttons slowly in sequence. If you still hear the fax tone from the remote machine, try pressing *9* once again.

Receiving manually in Telephone mode

You can receive a fax call by pressing **On Hook** and then pressing  (**Start**) from virtual hard key when you hear a fax tone from the remote machine. The machine begins receiving a fax.

Receiving automatically in Answering Machine/Fax mode

To use this mode, you must attach an answering machine to the EXT socket on the back of your machine. For more details, refer to “Fax kit installation guide”.

If the caller leaves a message, the answering machine records the message as normal. If your machine detects a fax tone on the line, it automatically starts to receive the fax.

Receiving a fax



- If you have set your machine to this mode and your answering machine is turned off, or no answering machine is connected to the EXT socket, your machine automatically enters **Fax** mode after a predefined number of rings.
- If your answering machine has a configurable ring counter, set it to answer incoming calls before it rings more than once.
- If you are in **Telephone** mode when the answering machine is connected to your machine, you must switch off the answering machine. Otherwise, outgoing messages from the answering machine will interrupt your phone conversations.

Receiving in Secure Receive mode

You may need to prevent your received faxes from being accessed by unauthorized people. You can turn on secure receiving mode to restrict printing of incoming faxes when the machine is unattended. In **Secure Receive** mode, all incoming faxes are saved to memory.

- 1 Tap **Settings** > **Fax Settings** > **Secure Receive** on the display screen.




Secure Receive mode can only be configured by a user with a passcode on the machine. When the machine requests, enter the passcode.

- 2 Tab **On** to enable this feature.



When the machine receives a fax in this mode, **Print** option becomes available. If you want to print the secured faxes, tap **Print**. All secured faxes will then be printed.

- 3 If you want to set a passcode, tap the passcode blank and enter a passcode.
- 4 If you want incoming faxes to be always saved to memory, tap **Whole Day**. Otherwise, proceed to the next step.
- 5 Tap **Start Time** and set the specific start time using the up/down buttons. Tap **Set** when finished.
- 6 Tap **End Time** and set the specific end time using the up/down buttons. Tap **Set** when finished.
- 7 Tap  or select other settings.



When you turn off **Secure Receive** feature, the machine prints any incoming faxes currently stored in the memory.

Setting Received Fax Printing

Use this option to set printing options for received faxes.

Receiving a fax

Tap **Settings** > **Fax Settings** > **Received Fax Printing** on the display screen.

- **Duplex:** The machine prints received faxes on both sides of the paper.
- **Output Tray:** Specify the tray where the fax is printed.
- **Staple:** This option allows you to specify the number of staples and the staple position. This option is available only when the optional standard finisher or booklet finisher is installed.
- **Auto Reduction:** Set to reduce the size of incoming pages automatically. When receiving a fax containing pages as long as or longer than the paper loaded in the paper tray, the machine can reduce the size of the original to fit the size of the paper loaded in the machine. If you do not enable this option, the machine cannot reduce the original to fit onto one page. The original will be divided and printed in actual size on two or more pages.
- **Printing Large Pages:** Use to fit where faxes are printed.
- **Stamp Received Name:** Print the received fax information on printouts.
- **Paper Source:** Select a tray as the paper source.

Forwarding faxes

You can set your machine to forward sent or received faxes to email, SMB, FTP, etc. If you are out of the office but need to receive faxes, this feature may be useful.

General fax settings

You can set the default fax options. Set the most frequently-used fax settings.

Tap **Settings** > **Fax Settings** on the display screen.



- Some menus may not appear on the display depending on options or models. If so, it is not applicable to your machine.
- Click the (Help) from the home screen or (quick menu) and then click on any option you want to know about.
- You can also use this feature from the SyncThru™ Web Service. Open a web browser from a networked computer and type the IP address of your machine. When SyncThru™ Web Service opens, click **Settings** tab > **Machine Settings** > **Fax** (see "Settings tab" on page 185).
- May only be available for the administrator depending on the authentication settings selected (see "Authentication" on page 321).

Option	Description
Machine ID & Fax No	You can set the machine ID and fax number to be printed at the top of each page.

Receiving a fax

Option	Description
Redial	<p>Set the machine to re-dial the fax number if the recipient's fax line is busy or not answered. Set the number of re-dial attempts and the interval between attempts.</p> <ul style="list-style-type: none">• Redial Term: Select terms for re-dialing using the up/down arrows.• Redial Times: Select a re-dial time using the up/down arrows. Select 0 to disable redialing.
Prefix Dial	<p>Set the number to be dialed before the destination number. Users may use this to access a PABX (e.g. 9) or an area code (e.g. 02). Once this number is set, it automatically appears on the screen when entering a phone/fax number.</p>
ECM Mode	<p>Set the machine to correct errors. This helps overcome poor line quality and ensures any faxes you send are properly transmitted to any other error correction-equipped fax machine. Sending a fax in this mode may take more time.</p>
Modem Speed	<p>Set the modem speed (4.8Kbps - 33.6Kbps).</p>

Option	Description
Receive Mode	<p>Select the fax receiving mode.</p> <ul style="list-style-type: none">• Telephone: Press On Hook Dial and then Start to receive a fax.• Fax: Receive incoming faxes normally and immediately enter the fax reception mode.• Answering Machine/Fax: Use when an answering machine is attached to your machine. Your machine answers the incoming call, and the caller can leave a message on the answering machine. If the fax machine senses a fax tone on the line, the machine automatically switches to Fax mode to receive the fax.
Ring to Answer	<p>Set the number of times the machine rings before answering an incoming call.</p>
Toll Save	<p>Set the machine to send faxes in the toll save time to reduce phone bill costs.</p>
Junk Fax Setup	<p>Use this feature to reject faxes sent from numbers stored in memory as junk fax numbers. This feature is useful to block any unwanted faxes. When you turn this feature on, you can access additional options to set junk fax numbers. This option may not be available in your country.</p>

Receiving a fax

Option	Description
Secure Receive	<p>Set the machine to save the received faxes in memory so that unauthorized people cannot access them when you are absent. This option restricts printing of received faxes when the machine is unattended.</p> <ul style="list-style-type: none">• Off: Select to not use secure receive.• On: Select to use secure receive.• Print: Select to print faxes in the memory. You need to log-in as an administrator to print out received faxes in memory.
Received Fax Printing	<p>Set options to print received faxes.</p>
Fax Country Setting	<p>Select a country as default. Before changing this, connect a telephone line to the machine. When you change the country, a ping test is performed.</p>

Option	Description
Smart Fax Diagnostics	<p>The Smart Fax feature optimizes the settings for your fax line.</p> <ul style="list-style-type: none">• Auto Configuration: When sending and receiving faxes, the machine regularly checks for errors and automatically configures the fax settings to ensure a stable connection.• Start: Allows you to automatically detect or manually specify the environment when sending or receiving faxes. Select Auto Detection to automatically detect the environment, or manually specify the faxing environment as Normal, VoIP(Office), Noise(Home), or Big Noise.• Initialize Diagnostics Settings: Resets all the settings.



7. Setting up an Address book

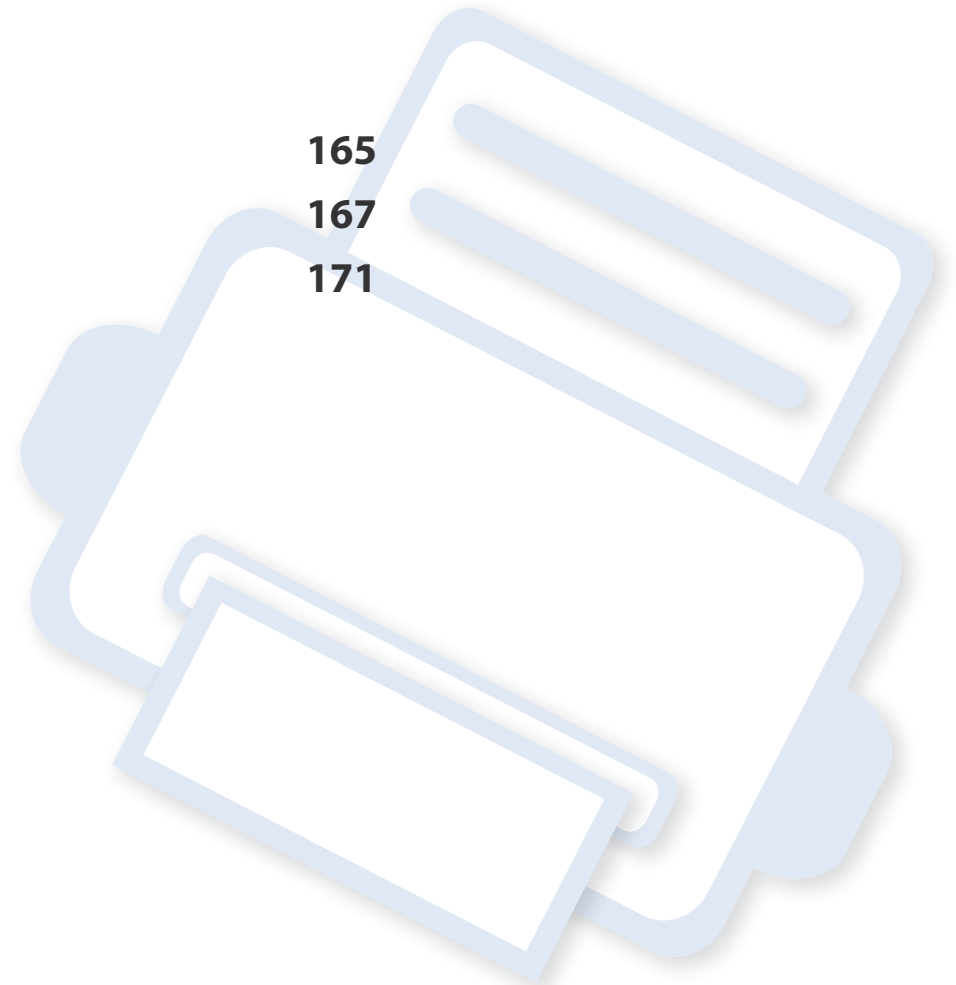
This guide gives you guidelines for the address book.

- **Understanding the address screen**
- **Using the control panel**
- **Using SyncThru™ Web Service**

165


167



171



Understanding the address screen

The **Address book** app allows you to access and save frequently used addresses in the machine. You can save fax numbers and email addresses as well as addresses for SMB, FTP, and and so on.

Tap **Address Book** from the home screen or **Apps**. If you see a different screen, tap  to go to the home display screen.

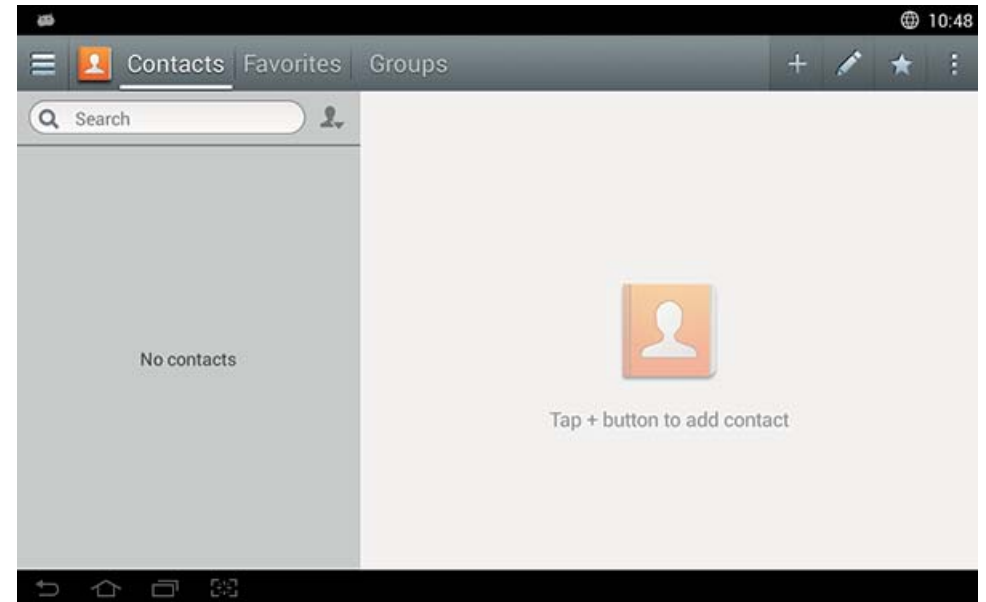
- Click the  (Help) from the home screen or  (quick menu) and then click on any option you want to know about.
- You can set general options (see "Setting options" on page 132).

Address screen

You can save frequently used fax numbers, e-mail addresses, SMB server addresses, FTP server addresses in your machine.

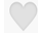


To use some features, you may need to log-in.(see "Log-in" on page 311).



- **Contacts:** Displays the name and contact information of contacts saved in the address book (see "Storing individual addresses" on page 167).
- **Favorites:** Displays the name and contact information of contacts marked as favorites in the address book.



Tab  (favorites) icon for addresses you use often and want to find easily.

- **Groups:** Lists the groups registered in the address book and the users registered to those groups (see "Storing address groups" on page 169).

Understanding the address screen



You cannot add a group as a member of another group.

Command keys



To use some features, you may need to log-in as an administrator (see "Log-in" on page 311).

Button	Name	Description
	Quick Menu	Show the quick menu.
	Search	Search for a desired address.
	Add	Add a contact, favorites, or group.
	Edit	Select the address you want to edit and tap this button.
	My Program	Shows list of added programs.
	Sub menu (Action overflow)	Open the sub menu.



Sub menu (Action overflow)






To use some features, you may need to log-in as an administrator (see "Log-in" on page 311).


- **Search:** Searches the names and contact information in the Contacts list.
- **Delete Contacts:** Delete the contacts you set.
- **Import:** You can import the address book saved from another MFP or same MFP.
- **Export:** You can export the address book saved from another MFP or same MFP.

Using the control panel

Storing individual addresses

1 Tap **Address Book** on the home screen or **Apps** > Tap  (add) on the display screen.

2 Tap the **Name** field, and then enter the name of the recipient. To make the address available to everyone, tap  (private) to change it to  (public).

-  • User (Assigned an authority by the administrator.)
 - Users can add and edit public and private addresses depending on the authorities assigned to them by the administrator.
 - If a user adds a private address, then only the user and administrator can access that address.
- Admin (Grants authorities to users.)
 - Administrators can add, delete, and edit public addresses but cannot add or edit private addresses.
 - Administrators may only read and delete private addresses added by users.

3 **Speed No.** is automatically assigned with the first number of unused numbers.

 Use the **Speed No.** on the numeric keypad to select an address quickly.

4 Tap the **Email** input boxes to enter that information of the recipient.

5 Tap the **Fax** input box and enter the fax number using the numeric keypad on the control panel. You can enter only numbers, area code first if necessary.



- Inserting a pause: On some telephone systems, you must dial an access code (like 9) and listen for a second dial tone before dialing the number. In such cases, you can insert a pause in the telephone number.

6 Tap the **SMB**, and/or **FTP** input boxes to enter that information of the recipient.



- Select the login method in **Login Type**:
 - **Auto Login** : Automatically logs in using the ID and password you provide.
 - **Anonymous** : Logs in as an anonymous user if the server allows it.
 - **Login Prompt** : Asks you to enter your ID and password every time that you connect.
 - **Single Sign On** : Logs in using the ID and passwords you used to log in to the machine. Use this if you use the same ID and password on both the server and the machine.
- If the SMB server you entered is not registered to any domain, leave it blank or enter the computer name of the SMB server.
- **User Login Name**: Select this option to create a sub-folder in the file folder you selected. The sub-folder is named according to the user name entered in step 5. If the file folder already has a sub-folder of the same name, the machine does not create a sub-folder.

Using the control panel

- **Folder Creation Cycle:** Set the cycle of sub-folder creation. The machine creates sub-folders according to this option. If the file folder already has a sub-folder of the same name, the machine does not create a sub-folder.
 - **Every Day:** A sub-folder is created every day using the name format "YYYY-MM-DD" (for example, "2014-01-01").
 - **Every Month:** A sub-folder is created every month using the name format "YYYY-MM" (for example, "2014-01").
 - **Every Year:** A sub-folder is created every year using the name format "YYYY" (for example, "2014").
- **Create Group For Multiple Files:** If you select this option and scan multiple files, the machine creates a sub-folder in the file folder you selected to store all sent files.


If all folder creation options are enabled at the same time, sent files are stored as below.

- When a single scanned file is sent:
`\\folder\user name\2014-01-01\DOC.jpg`
- When multiple scanned files are sent:
`\\folder\user name\2014-01-01\DOCJPEG\DOC000.jpg`
`\\folder\user name\2014-01-01\DOCJPEG\DOC001.jpg`
`\\folder\user name\2014-01-01\DOCJPEG\DOC002.jpg`


7 Tap **OK** to save the information.

Editing Individual address

When editing a contact, tap a field to change or delete the information, or add additional fields to the contact's information.

- 1 Tap **Address book > Contacts** on the home screen or **Apps**.
- 2 Tap the name of individual you want to edit. Tap  (edit).






If you want to delete an individual address, check the box of that address and tap  Sub menu (Action overflow) > **Delete Contacts**.

- 3 Tap the input field for the information you want to change. The pop-up keyboard appears, allowing you to type in the field.
- 4 Tap **Done** to save the information.

Using the control panel


Storing address groups



- 1 Tap **Address book** on the home screen or **Apps > Groups > ** on the display screen.
- 2 Tap the **Name** input field and enter a name for the group.
- 3 Tap **+ Add Contact** and check the boxes for any addresses you want include in the group. Tap **Done** when you are finished.

 To search for a contact, tap the search field in the **+ Add Contact** screen. Enter the first few letters of a contact's name or tap the  (search) icon to show all contacts. In the list that appears, check the boxes for the contacts you want to add and tap **Done**.



- 4 Tap **Done** to save the information.


Editing address groups

- 1 Tap **Address book > Groups** on the home screen or **Apps**.
- 2 Tap the name of group you want to edit and tap  (edit).

 If you want to delete an address group, check the box for the group you want to delete and tap  (delete).

- 3 Tap the group name input field to change the name of the group.
- 4 Tap **+Add contact** and check the boxes for any addresses you want include in the group. Tap **Done** when you are finished.


 To search for a contact, tap the search field in the **+Add contact** screen. Enter the first few letters of a contact's name or tap the  (search) icon to show all contacts. In the list that appears, check the boxes for the contacts you want to add and tap **Done**.

- 5 To remove an individual address from the group, check the box for that address and tap  (delete).
- 6 Tap **Done** to save the information.

Using the control panel


Searching for address book entries


You can search the addresses that are currently stored in the address book.

- 1 Tap **Address book** > **Contacts** or **Groups** on the home screen or **Apps**.
- 2 Tap the  (search) input field and enter a name or part of a name to search for.
- 3 The machine then displays the search results.

Deleting address book entries

You can delete addresses currently stored in the address book.

 To use this feature, you may need to log-in as an administrator (see "Log-in" on page 311).

- 1 Tap **Address book** > **Contacts** or **Groups** on the home screen or **Apps**.
- 2 Check the boxes of the addresses you want to delete and tap tap  Sub menu (Action overflow) > **Delete Contacts**.


- 3 Tap **OK** in the confirmation window and the selected addresses are deleted from the address book.

Viewing the address book

You can browse for individual addresses and groups.

- 1 Tap **Address book** on the home screen or **Apps**.
- 2 Tap an address to see more information about it.



You can tap  (edit) when viewing an address to edit its information directly, or when viewing an address group to see a list of that group's members.

Using SyncThru™ Web Service

You can store addresses conveniently from the networked computer using SyncThru™ Web Service. Only for users registered on the machine can store addresses through login SyncThru™ Web Service.

Storing on your local machine

This method allows you to store addresses on your machine's memory. You can add addresses and group them into categories.

Adding individual addresses to the address book

- 1 Open a web browser from your networked computer.
- 2 Enter your machine's IP address as the URL in the browser (for example, http://123.123.123.123)
- 3 Press **Enter** or click **Go** to access the SyncThru™ Web Service shows.
- 4 Click **Login**.
- 5 Enter your ID and password and select a domain to log in to.
- 6 Click **Login**.
- 7 Click **Address Book**.
- 8 Click **Add**.

- 9 Enter a name to add and select a speed dial number in the **General** field.



- A **Speed Dial Number** allows you to enter that number on the numeric keypad to dial that number quickly.
- Check **Favorites** for addresses you use often. You can easily find them in search results.

- 10 Enter an email address in the **Email** field.
- 11 Enter a fax number in the **Fax** field.
- 12 Check the enable SMB box in **SMB** and enter the **SMB** information.
- 13 Enter a server IP address or a host name in **SMB Server Address**.
- 14 Enter a server port number in **SMB Server Port**.
- 15 Select the login method in **Login Type**.
 - **Auto Login** : Automatically logs in using the ID and password you provide.
 - **Anonymous** : Logs in as an anonymous user if the server allows it. If you select this login method, go to the step 18
 - **Login Prompt** : Asks you to enter your ID and password every time that you connect. If you select this login method, go to step 18.

Using SyncThru™ Web Service

- **Single Sign On** : Logs in using the ID and passwords you used to log in to the machine. Use this if you use the same ID and password on both the server and the machine. If you select this login method, go to step 18.

16 Enter a login name in the **Login ID** field.

17 Enter a password in **Password** and re-enter the same password in **Confirm Password**.

18 Enter a domain name in **Domain**.



If the SMB server you entered is not registered to a domain, leave this field blank or enter the computer name of the SMB server.

19 Enter the scan file folder to store scanned images in **Path**.

Example: **/shared_Folder/**

20 Select **Scan folder creating policy** options:

- **Create new folder using login name**: If you select this option, the machine creates a sub-folder in the file folder you selected. The sub-folder is named using the user name from step 15.



If the file folder already has a sub-folder of the same name, the machine does not create a sub-folder.

- **Create new folder every**: You can set the cycle of sub-folder creation. The machine create a sub-folder according to these options:



If the file folder already has a sub-folder of the same name, the machine does not create a sub-folder.

- **Day**: A sub-folder is created every day using the name format "YYYY-MM-DD" (for example, "2012-01-01").
 - **Month**: A sub-folder is created every month using the name format "YYYY-MM" (for example, "2012-01").
 - **Year**: A sub-folder is created every year using the name format "YYYY" (for example, "2012").
- **Create new folder only if scan output consist of several files**: If you select this option and multiple files are scanned, the machine creates sub-folders in the file folder you selected and the sent files are stored in the sub-folder.

Using SyncThru™ Web Service



If all folder creation options are enabled at the same time, sent files are stored as below.

- When a single scanned file is sent:
`\\folder\user name\2012-01-01\DOC.jpg`
- When multiple scanned files are sent:
`\\folder\user name\2012-01-01\DOCJPEG\DOC000.jpg`
`\\folder\user name\2012-01-01\DOCJPEG\DOC001.jpg`
`\\folder\user name\2012-01-01\DOCJPEG\DOC002.jpg`

21 Select the policy for generating file names in **Filing Policy**. If the server already contains a file of the same name, the file is processed based on the following options.

- **Change Name:** The sent file is automatically saved as a pre-defined file name.
- **Cancel:** Do not save the sent file.
- **Overwrite:** Overwrite the existing file with the newly sent file.

22 Enter the file name in **File Name** to store on the server.

23 To verify that the process is working with your settings, click **Test**.

24 Enter **FTP** server information as you did for **SMB**.

25 Click **Apply**.



Click **Undo** to delete the information you entered. If you click **Cancel**, the **Add** window is closed.

Editing individual addresses in Address Book

- 1** Open a web browser from your networked computer.
- 2** Enter your machine's IP address as the URL in the browser (for example, `http://123.123.123.123`).
- 3** Press **Enter** or click **Go** to access the SyncThru™ Web Service page.
- 4** Click **Login**.
- 5** Enter your ID and password, and select a domain to log in to.
- 6** Click **Login**.
- 7** Click **Address Book**.
- 8** Check the box for the address you want to edit and click **Edit**.
- 9** Change the address information.
- 10** Click **Apply**.

Using SyncThru™ Web Service



Click **Undo** to reverse any changes you entered. Click **Cancel** to close the window without saving any changes.

Deleting individual addresses in Address Book

- 1 Open a web browser from your networked computer.
- 2 Enter your machine's IP address as the URL in the browser (for example, http://123.123.123.123).
- 3 Press **Enter** or click **Go** to access the SyncThru™ Web Service page.
- 4 Click **Login**.
- 5 Enter your ID and password, and select a domain to log in to.
- 6 Click **Login**.
- 7 Click **Address Book**.
- 8 Check the boxes of the addresses you want to delete and click **Delete**.
Check the box at the top of the column to select all addresses.
Click **OK** in the confirmation window to delete the addresses.

Searching for individual addresses in the address book

- 1 Open a web browser from your networked computer.
- 2 Enter your machine's IP address as the URL in the browser (for example, http://123.123.123.123)
- 3 Press **Enter** or click **Go** to access the SyncThru™ Web Service page.
- 4 Click **Login**.
- 5 Enter your ID and password, and select a domain to log in to.
- 6 Click **Login**.
- 7 Click **Address Book**.




You can sort the address book by clicking each column header. For example, click **Speed No.** to sort the addresses by speed dial number. Click a column a second time to reverse the sort order.

- 8 Enter a name or part of a name to search for in the search field.


Using SyncThru™ Web Service



You can search for addresses in a specific category such as **Fax Number**, **Email**, **SMB**, and so on.

For example, if you want to find a fax number, click the drop down list next to  and select **Fax Number**.

9

Click  and the search results appear.



You can see the addresses in a specific category such as **Fax Number**, **Email**, **SMB**, etc.

For example, if you want to see the addresses which are included fax number, click drop down list below **LDAP** and select **Fax Number**.

Exporting Address Book



This feature may not be available depending on model or optional goods (see "Features by model" on page 8).

You can import the address book saved in the machine to the computer in CSV file format using SyncThru™ Web Service.

- 1 Access the SyncThru™ Web Service (see "Logging into SyncThru™ Web Service" on page 183).
- 2 Click **Address Book** tab > **Individual**.
- 3 Select **Export** from the **Task** drop down list.
- 4 Select the option you want and click the **Export** button.
Then the address book file stored in your computer.



- **Encryption** : Encrypts all the data.
No Encryption : Encrypts only passwords.
- **Key, Confirm Key**: Requires you to enter a key when importing the address book. If you enter the wrong key when importing the address book, then the import process stops.

Using SyncThru™ Web Service

Importing Address Book

You can edit the exported address book in CSV file format and send it back to the machine by exporting to the machine from your computer.



Followings are the conditions for editing the imported CSV file.

- Password-protected or security enhanced CSV file cannot be edited.
- The CSV file needs to be saved in Notepad program in UTF-8.
- Do not change the first row (model name, version, title field).
- Use comma(,) as a separator.
- When importing the address book data from a computer to the machine, the existing address book data is deleted.
- Make sure to enter valid data. If you enter invalid data, unexpected errors can occur. Refer to the below rules for entering valid data.
 - **Speed dial:** A number is required for each address. You cannot use duplicate numbers. Only numbers are allowed.
 - **User Name:** This field is not mandatory. You can enter up to 64 byte in UTF-8. <, ", >, \, / in not allowed.
 - **Fax:** This field is not mandatory. You can enter up to 40 byte using numbers (0-9) and special characters (#,*,-).
 - **Email:** This field is not mandatory. You can enter up to 128 byte in email address format (ex: printer@domain.com)

1 Access the SyncThru™ Web Service (see "Logging into SyncThru™ Web Service" on page 183).

2 Click **Address Book** tab > **Individual**.

3 Select **Import** from the **Task** drop down list.

4 Enter the key you set when you exported the address book.

5 Select **Browse**, and select the stored file.

6 Click **Import** > **OK**.

Using SyncThru™ Web Service

Grouping addresses in address book

- 1 Open a web browser from your networked computer.
- 2 Enter your machine's IP address as the URL in the browser (for example, http://123.123.123.123).
- 3 Press **Enter** or click **Go** to access the SyncThru™ Web Service page.
- 4 Click **Login**.
- 5 Enter your ID and password and select a domain as you log in the machine.
- 6 Click **Login**.
- 7 Click **Address Book**.
- 8 Click **Groups**.
- 9 Click **Add Group**.
- 10 Enter the group name to be added in **Group Name**.
- 11 Check **Add individual(s) after this group is created**.



If you do not want to add individual addresses to the group address you made, skip this step. You can add individual addresses next time pressing **Group Details**.

- 12 Click **Apply**.
- 13 Check the addresses you want to add to **Group Address Book** in **Individual Address Book**.
- 14 Click the arrow in the middle. The selected addresses are added in **Group Address Book**.
- 15 Click **Apply**.

Editing address groups in Address Book

- 1 Turn your networked computer on and open the web browser.
- 2 Enter your machine's IP address as the URL in a browser.
(Example, http://123.123.123.123)
- 3 Press **Enter** or click **Go** to access the SyncThru™ Web Service shows.
- 4 Click **Login**.
- 5 Enter the ID and password, and select a domain as you log in the machine.

Using SyncThru™ Web Service

- 6 Click **Login**.
- 7 Click **Address Book**.
- 8 Click **Groups**.
- 9 Check the group address you want to edit and press **Edit Group**.
- 10 Change the group address information.
- 11 Click **Apply**.



Press **Undo** to delete the information you entered. If you press **Cancel**, the **Edit** window closes.

Deleting address groups from Address Book

- 1 Open a web browser from your networked computer.
- 2 Enter your machine's IP address as the URL in the browser (for example, http://123.123.123.123)
- 3 Press **Enter** or click **Go** to access the SyncThru™ Web Service page.
- 4 Click **Login**.

- 5 Enter the ID and password, and select a domain as you log in the machine.
- 6 Click **Login**.
- 7 Click **Address Book**.
- 8 Click **Groups**.
- 9 Check the box for the groups you want to delete.
- 10 Click **Delete Group**.
Click **OK** when the confirmation window appears.

Checking address groups

You can see information about address groups and add or delete individual addresses from the group in the **Group Details** window.

- 1 Open a web browser from your networked computer.
- 2 Enter your machine's IP address as the URL in the browser (for example, http://123.123.123.123)
- 3 Press **Enter** or click **Go** to access the SyncThru™ Web Service page.
- 4 Click **Login**.

Using SyncThru™ Web Service

- 5 Enter the ID and password, and select a domain as you log in the machine.
- 6 Click **Login**.
- 7 Click **Address Book**.
- 8 Click **Groups**.
- 9 Click the group address you want to see and click **Group Details**.



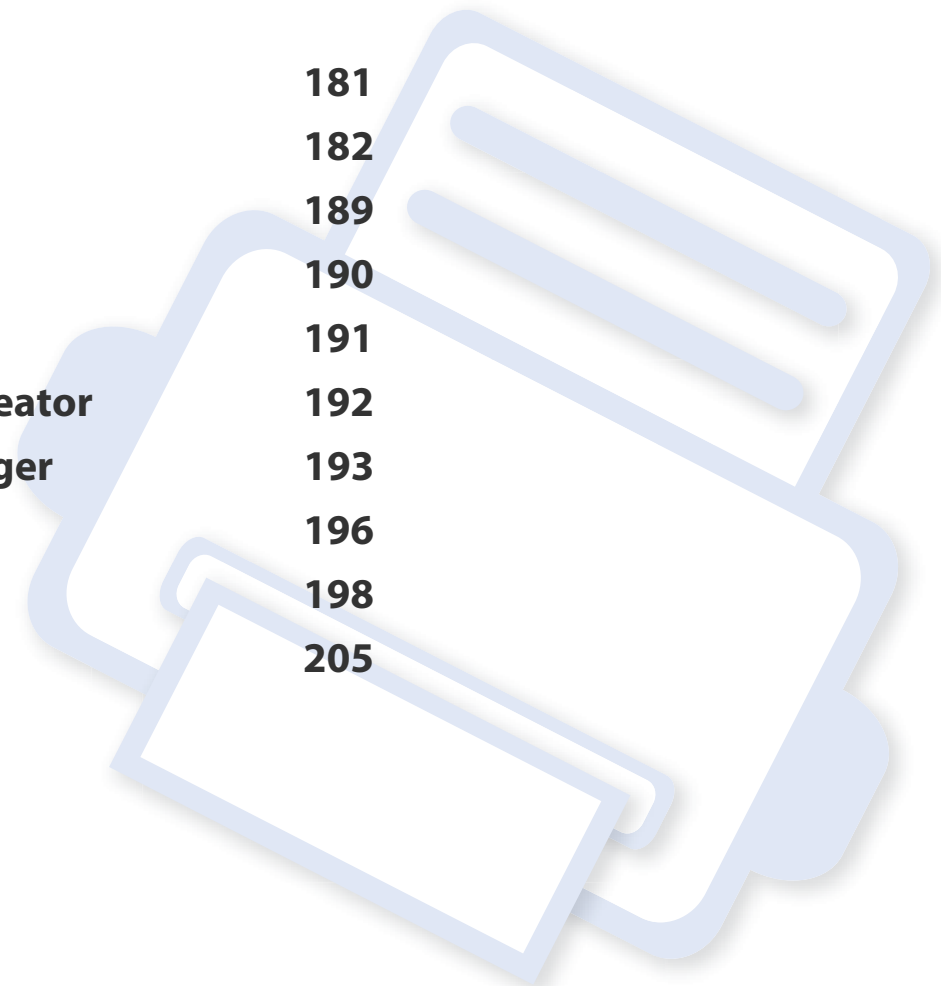
- You can add individual addresses directly. Check the addresses you want to add to **Group Address Book** in **Individual Address Book**.
- You can delete individual addresses directly. Check the addresses you want to delete and press **Delete** in **Group Address Book**.



8. Management Tools

This chapter introduces management tools provided to help you make full use of your machine.

- **Accessing management tools** 181
- **SyncThru™ Web Service** 182
- **Easy Capture Manager** 189
- **Samsung AnyWeb Print** 190
- **Easy Eco Driver** 191
- **Using Samsung Easy Document Creator** 192
- **Using Samsung Easy Printer Manager** 193
- **Using Samsung Printer Status** 196
- **Using Samsung Printer Experience** 198
- **Using Box** 205



Accessing management tools

Samsung provides a variety of management tools for Samsung printers.

- 1 Make sure that the machine is connected to your computer and powered on.
- 2 From the **Start** menu, select **Programs** or **All Programs**.
 - For Windows 8, from the **Charms**, select **Search > Apps**.
- 3 Find **Samsung Printers**.
- 4 Under **Samsung Printers**, you can see installed management tools.
- 5 Click the management tool you want to use.



- After installing the driver, for some management tools, you can access them directly from the **Start** menu > **Programs** or **All Programs**.
- For Windows 8, after installing the driver, for some management tools, you can access them directly from the **Start** screen by clicking on the corresponding tile.

SyncThru™ Web Service

This chapter gives you step-by-step instructions for setting up the network environment through SyncThru™ Web Service.



- Internet Explorer® 6.0 or higher is the minimum requirement for SyncThru™ Web Service.
- Some menus may not appear on the display screen depending on the settings or models. If so, it is not applicable to your machine.

What is SyncThru™ Web Service?

If you have connected your machine to a network and set up TCP/IP network parameters correctly, you can manage the machine via SyncThru™ Web Service. Use SyncThru™ Web Service to:

- View the machine's device information and check its current status.
- Change TCP/IP parameters and set up other network parameters.
- Change the printer preference.
- Set the email notifications advising of the machine's status.
- Get support for using the machine.
- Upgrade machine software.

Required web browser

You need one of the following web browsers to use SyncThru™ Web Service.

- Internet Explorer® 6.0 or higher
- Chrome 4.0 or higher
- FireFox 3.0 or higher
- Safari 3.0 or higher

Connecting to SyncThru™ Web Service

IPv4 supported web browser

- 1 Start a web browser, such as Internet Explorer®, that supports IPv4 addressing as a URL.

Enter the machine's IP address (<http://xxx.xxx.xxx.xxx>) in the address field and press the Enter key or click **Go**.



You can get the machine's IP address from the machine (see "Report" on page 328).

- 2 Your machine's SyncThru™ Web Service website opens.

SyncThru™ Web Service

IPv6 supported web browser

- 1 Start a web browser, such as Internet Explorer®, that supports IPv6 addressing as a URL.
- 2 Select one of the IPv6 address (**Stateless Address, Stateful Address, Manual Address, Link-Local**) from **Network Configuration Report**.



You can get the machine's IPv6 address from the machine report (see "Report" on page 328).

- 3 Enter the IPv6 addresses (eg., `http://[3ffe:10:88:194:213:77ff:fe82:75b]`).



The address must be enclosed in '[']' brackets.

- 4 Your machine's SyncThru™ Web Service website opens.

Logging into SyncThru™ Web Service

Before configuring options in SyncThru™ Web Service, you need to log-in as an administrator. You can still use SyncThru™ Web Service without logging in, but you will not have access to or view the **Settings** tab and the **Security** tab.

- 1 Click **Login** on the upper right of the SyncThru™ Web Service website. A log-in page appears.
- 2 Type in the **ID** and **Password** and select the **Domain**. Then click on **LOGIN**.

Use the same login ID, Password, Domain as when logging in from the machine (see "Log-in" on page 311.)



If you want to create a new user or change the password, see "Security tab" on page 186.

Information tab

This tab gives you general information about your machine. You can check things, such as the machine's status, supplies' status, count information, network information, and more. You can also print reports, such as configuration page.

- **Active Alerts:** You can check the current alerts in the machine. Use this information to troubleshoot machine errors.
- **Supplies:** You can check the supplies' information. For toner cartridges and imaging units, supplies' status is displayed with a visual graph showing you the amount of each supply left. Page counts are also available which can help you predict when to change the supplies. This feature is also available from the machine (see "Management" on page 328).
- **Usage Counter:** You can check the billing information and usage counter of the machine. This feature is also available from the machine (see "Counter" on page 35).
- **Current Settings:** Shows the current settings of the machine and network.
- **Machine Information:** Shows the current machine settings.
- **Network Information:** Shows the current network settings. Use this page as a reference and change the necessary settings needed for using the network.
- **Security Information:** Shows the current security settings of the machine and network.
- **Print Information:** You can print all the reports provided by your machine. You can use these reports to help you maintain your machine. This feature is also available in the machine (see "Report" on page 328).

Box tab

You can manage the Box. This feature is also available from the machine (see "Using Box" on page 205).

Forward / Print / Send / Download

You can manage the folder and files in **Forward, Print, Send, Download**.

- **Add:** You can create **Box** in **Print, Send, Download** tab and **Secured Box** in **Print, Send** tab.
- **Delete:** You can delete **Box** and file in **Forward, Print, Send, Download** tab.
- **Edit:** You can edit **Box** and file name in **Print, Send, Download** tab.
- **Browse:** If you want to browse the **Box**, check the **Box** you want then click **Browse**.
- **Upper Folder:** You can move to upper folder.
- **Task:** You can copy and move the Box and files in **Print, Send, Download** tab.

SyncThru™ Web Service

Address book tab

You can manage the address book. This feature is also available from the machine (see "Understanding the address screen" on page 165).

- **Individual:** You can manage individual entries in the address book.
- **Group:** You can manage group address books.

Settings tab

Settings tab has sub menus, **Machine Settings** and **Network Settings**. You cannot view or access this tab if you do not log-in as an administrator (see "Logging into SyncThru™ Web Service" on page 183).

- **Machine Settings:** You can set machine settings.
 - **System:** You can set machine related settings.
 - **Printer:** You can set print related settings such as darkness or adjust the background. This feature is also available from the machine (see "Print Settings" on page 325).
 - **Copy:** You can set copy related settings such as darkness or adjusting the background. This feature is also available from the machine (see "Setting options" on page 110).
 - **Fax:** You can set fax related settings such as fax number or redial times. This feature is also available from the machine (see "Understanding the fax screen" on page 149).

- **Scan & Send :** You can set scan related settings. This feature is also available from the machine (see "Understanding the Scan & Send screen" on page 127).
- **Box :** You can set box related settings. This feature is also available from the machine (see "Using Box" on page 205).
- **Address Book Settings:** This address book contains contacts that are available to all users. You can use the address book to make contacts available to anyone who uses the machine.
- **E-mail Notification:** When an error occurs or the consumables are running out, the machine sends a notification to the administrator via e-mail. You can set whether to use this feature or not. You can also select which alerts to receive and when.
- **Network Settings:** You can set up the network environment to use your machine as a network machine. You can also set the settings from the machine. Refer to the network setup chapter (see "Network Setup" on page 335).
 - **General:** You can set general machine information to use in the network and set ethernet settings. This feature is also available from the machine (see "Ethernet" on page 338).
 - **TCP/IPv4, TCP/IPv6, Raw TCP/IP, FTP Printer Server, AirPrint, ThinPrint®, Google Cloud Print, LPR, IPP, Telnet, WSD, SLP, UPNP, mDNS, CIFS, SNMP, SNMPv1/v2, SNMPv3:** You can set protocol settings. This feature is also available from the machine

SyncThru™ Web Service

- **Outgoing Mail Server (SMTP):** You can set server settings for outgoing emails. If this setting is not configured, you cannot use scan to email feature. Outgoing emails will be sent through SMTP server you set here. This feature is also available from the machine (see "Network Protocol" on page 332).
- **HTTP:** You can allow or block users from accessing the SyncThru™ Web Service. This feature is also available from the machine (see "Network Protocol" on page 332).
- **Proxy:** You can set proxy settings and enable authentication to connect to licence server through http proxy server. These proxy settings are provided currently only if the administrator wants to update an XOA application's license online through proxy server.
- **Information Hiding:** You can enable/disable network features. Check the features you want to enable and click **Apply**.
- **Restart Device:** You can reboot your machine. Click the **Restart Now** button to reboot.
- **Network Security:** From the SyncThru™ Web Service, select the **Security** tab > **Network Security**.
 - **Digital Certificate:** You can manage digital certificates. A digital certificate is an electronic certificate that verifies the secure association between communication nodes. You need to add the certificate for SSL communication. This feature is also available from the machine (see "Network Security" on page 333).
 - **Secure Connection:** You can enable or disable secure connection to use more enhanced secure network channel. For secure communication, using the **Secure Connection** feature is recommended.
 - **SNMPv3:** You can set SNMPv3.
 - **IP Security:** You can set IP security settings.
 - **IP/MAC Filtering:** You can set filtering options for IP and MAC addresses. If the administrator does not add a filtering rule for IPv4, IPv6, and MAC addresses, nothing is filtered. If the administrator has added a filtering rule, filtering will be applied to the entered IPv4, IPv6, and MAC addresses.
 - **IPv4 Filtering:** You can enable/disable IPv6 filtering as well as manage filtering rules. This feature is also available from the machine (see "Network filtering settings" on page 343).

Security tab

The security tab has **System Security**, **Network Security**, **User Access Control** and **System Log**. You cannot access this tab if you do not log-in as an administrator (see "Log-in" on page 311).

- **System Security:** From the SyncThru™ Web Service, select the **Security** tab > **System Security**.
 - **System Administrator:** Enter the system administrator's information. The machine sends email notification to the email address set here. This feature is also available from the machine (see "Contact Information" on page 334).
 - **Feature Management:** You can enable/disable network features. Check the features you want to enable and click **Apply**.

SyncThru™ Web Service

- **IPv6 Filtering:** You can enable/disable IPv6 filtering as well as manage filtering rules. This feature is also available from the machine (see "Network filtering settings" on page 343).
- **MAC Filtering:** You can enable/disable Mac filtering as well as manage filtering rules. This feature is also available from the machine (see "Network filtering settings" on page 343).
- **802.1x:** You can enable/disable 802.1x Security as well as manage filtering rules. This feature is also available from the machine (see "802.1x" on page 332).
- **External Authentication Server:** Set the servers for authentication.
- **802.1x:** You can enable 802.1x authentication, which is a port-based authentication. If this authentication is enabled, the machine is not allowed to access through the protected side of the network until the machine is authorized. Use this feature to protect your network. This feature is also available from the machine (see "802.1x" on page 332).
- **User Access Control:** You can restrict users from accessing the machine or application. You can also give specific permission for user to only use certain feature of the machine. For example, you can allow user A to only use print feature. In this case, user A will not be able to scan, copy or fax with the machine.
 - **Authentication (Activating access control):** You can choose the authentication method for user authentication. Select a mode and click on the **Options** button. This feature is also available from the machine (see "Authentication" on page 321).
 - **Authorization (Giving rights):** You can give permissions to a user to only use certain features of the machine.
 - **Authority Management:** You can give different rights to different users. For example, you can allow user A to use all the machine's functions while giving user B only the right to print.
 - **Accounting:** You can manage accounts.
 - **User profile:** You can store user information on the machine's hard drive. You can use this feature to manage the users using the machine. You can also group the users and manage them as a group. You can add up to 1,000 entries. User identified by user ID and password are allowed to modify their password. They are allowed to view all of their profile information. When it comes to the role, users are allowed to see only the role they belong to but not its permissions.
- **System Log:** You can keep logs of events that have happened in the machine. The administrator can record and manage the machine usage information by keeping the system log files. The system log files are stored on the machine's HDD (hard disk drive), and when it is full, it will erase old data. Export and save the important audit data separately using the exporting feature.
 - **Log configuration:** You can enable or disable keeping logs. You can also backup log files by periods and transfer to a repository server.
 - **Log Viewer:** You can view, delete, and search log files.

Maintenance tab

This tab allows you to maintain your machine by upgrading firmware, managing applications, and setting contact information for sending emails. You can also connect to the Samsung website or download manuals and drivers by selecting the **Link** menu.

- **Firmware Version:** You can check the firmware version used in the machine. Check the version and update it if necessary. This feature is also available from the machine (see "Machine Details" on page 334).
- **Application Management:** You can add or delete applications/license. If you add an application, you need to activate the license of the installed application. Some applications may not have a license. This feature is also available from the machine (see "Application Management" on page 326)
- **Backup/Restore:** You can backup the machine's configurations and restore the configuration when there is a problem with the machine. The saved (backed up) files can also be used to configure other machines.
- **Contact Information:** You can view contact information. To change the information, (see "Contact Information" on page 334).
- **Link :** You can view links to useful websites where you can:
 - view product information and get support (samsung website).
 - download manuals and drivers.
 - order consumable supplies.
 - register your machine on-line.

Easy Capture Manager



- Available for Windows OS users only.
- This feature may not be available depending on model or optional goods (see "Software" on page 8).

To capture your screen and launch Easy Capture Manager simultaneously simply press the Print Screen key on the keyboard. Now you can easily print your captured screen as captured or edited.

Samsung AnyWeb Print



- Available for Windows OS users only.
- This feature may not be available depending on model or optional goods (see "Software" on page 8).

This tool helps you screen-capture, preview, scrap, and print Windows Internet Explorer pages more easily, than when you use an ordinary program.

Download the software from the Samsung website then extract and install it: (<http://www.hp.com/go/Samsung>).

Easy Eco Driver



Available for Windows OS users only (see "Software" on page 8).

With the Easy Eco Driver, you can apply Eco features to save paper and toner before printing.

Easy Eco Driver also allows you simple editing such as removing images and texts, and more. You can save frequently used settings as a preset.

How to use:

- 1 Open a document to print.
- 2 Open printing preference window (see "Opening printing preferences" on page 73).
- 3 From the **Favorites** tab, select **Eco Printing Preview**.
- 4 Click **OK > Print** in the window. A preview window appears.
- 5 Select the options you want to apply to the document.
You can see the preview of the applied features.
- 6 Click **Print**.



If you want to run Easy Eco Driver every time you print, check **Start Easy Eco Driver before printing job** checkbox in the **Basic** tab of the printing preference window.

Using Samsung Easy Document Creator

Samsung Easy Document Creator is an application to help users scan, compile, and save documents in multiple formats, including .epub format. These documents can be shared via social networking sites or fax. Whether you're a student needing to organize research from the library or a stay-at-home mom sharing scanned pictures from last year's birthday party, Samsung Easy Document Creator will provide you with the necessary tools.

The Samsung Easy Document Creator provides features mentioned below:

- **Image Scanning:** Use for scanning single or multiple pictures.
- **Document Scanning:** Use for scanning documents with text or text and images.
- **Text Converting:** Use for scanning documents that need to be saved in an editable text format.
- **Book Scanning:** Use for scanning books with the flatbed scanner.
- **SNS Upload:** Provides an easy and quick way to upload scanned image or existing images to a variety of social networking sites (SNS).
- **E-Book Conversion:** Provides the ability to scan multiple documents as one E-Book or convert existing files into an E-Book format.
- **Plug-in:** Scan and fax directly from the Microsoft Office program.



Click the **Help** (?) button from the window and then click on any option you want to know about.

Using Samsung Easy Printer Manager



- Available for Windows and Mac OS users only.
- For Windows, Internet Explorer 6.0 or higher is the minimum requirement for Samsung Easy Printer Manager.

Samsung Easy Printer Manager is an application that combines Samsung machine settings into one location. Samsung Easy Printer Manager combines device settings as well as printing environments, settings/actions and launching. All of these features provide a gateway to conveniently use your Samsung machine. Samsung Easy Printer Manager provides two different user interfaces for the user to choose from: the basic user interface and the advanced user interface. Switching between the two interfaces is easy: just click a button.

Understanding Samsung Easy Printer Manager

To open the program:

For Windows,

Select **Start > Programs** or **All Programs > Samsung Printers > Samsung Easy Printer Manager > Samsung Easy Printer Manager**.

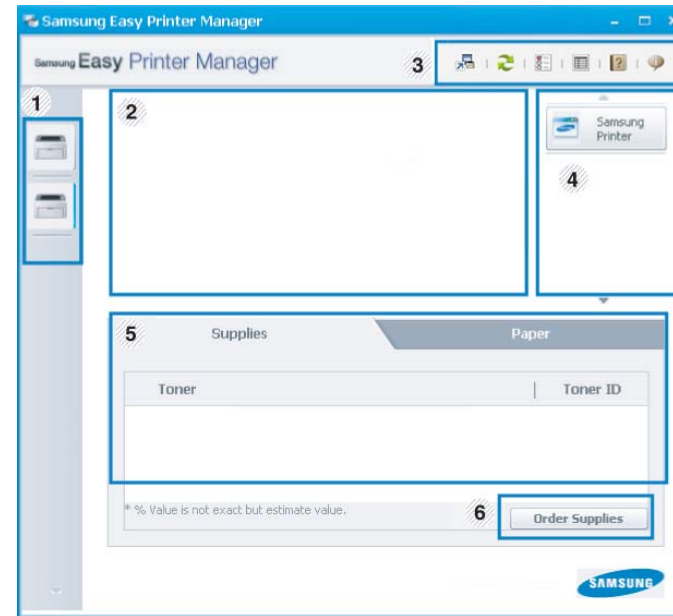
For Mac,

Open the **Applications** folder > **Samsung** folder > **Samsung Easy Printer Manager**.

The Samsung Easy Printer Manager interface is comprised of various basic sections as described in the table that follows:







The screenshot may differ depending on operating system you are using.



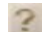
1	Printer list	The Printer List displays printers installed on your computer and network printers added by network discovery (Windows only).
---	--------------	---

Using Samsung Easy Printer Manager

2	Printer information	<p>This area gives you general information about your machine. You can check information, such as the machine's model name, IP address (or Port name), and machine status.</p> <p> You can view the online User's Guide.</p> <p>Troubleshooting button: This button opens the Troubleshooting Guide when an error occurs. You can directly open the necessary section in the user's guide.</p>
3	Application information	<p>Includes links for changing to the advanced settings (switching UI), refresh, preference setting, summary, help, and about.</p> <p> The  button is used to change the user interface to the advanced settings user interface (see "Advanced settings user interface overview" on page 195).</p>
4	Quick links	<p>Displays Quick links to machine specific functions. This section also includes links to applications in the advanced settings.</p> <p> If you connect your machine to a network, the SyncThru™ Web Service icon is enabled.</p>

5	Contents area	Displays information about the selected machine, remaining toner level, and paper. The information will vary based on the machine selected. Some machines do not have this feature.
6	Order supplies	Click on the Order button from the supply ordering window. You can order replacement toner cartridge(s) from online.



Select the **Help** menu or click the  button from the window and click on any option you want to know about.

Using Samsung Easy Printer Manager

Advanced settings user interface overview

The advanced user interface is intended to be used by the person responsible for managing the network and machines.



Some menus may not appear in the display depending on options or models. If so, it is not applicable to your machine.

Device Settings

You can configure various machine settings such as machine setup, paper, layout, emulation, network, and print information.

Scan to PC Settings

This menu includes settings to create or delete scan to PC profiles.

- **Scan Activation:** Determines whether or not scanning is enabled on the device.
- **Basic tab:** Contains settings related general scan and device settings.
- **Image tab:** Contains settings related to image altering.

Alert Settings (Windows only)

This menu includes settings related to error alerting.

- **Printer Alert:** Provides settings related to when alerts will be received.
- **Email Alert:** Provides options relating to receiving alerts via email.
- **Alert History:** Provides a history of device and toner related alerts.

Job Accounting

Provides querying of quota information of the specified job accounting user. This quota information can be created and applied to devices by job accounting software such as SyncThru™ or CounThru™ admin software.

Using Samsung Printer Status

The Samsung Printer Status is a program that monitors and informs you of the machine status.



- The Samsung Printer Status window and its contents shown in this user's guide may differ depending on the machine or operating system in use.
- Check the operating system(s) that are compatible with your machine (see "System requirements" on page 284).
- Available for Windows OS users only.

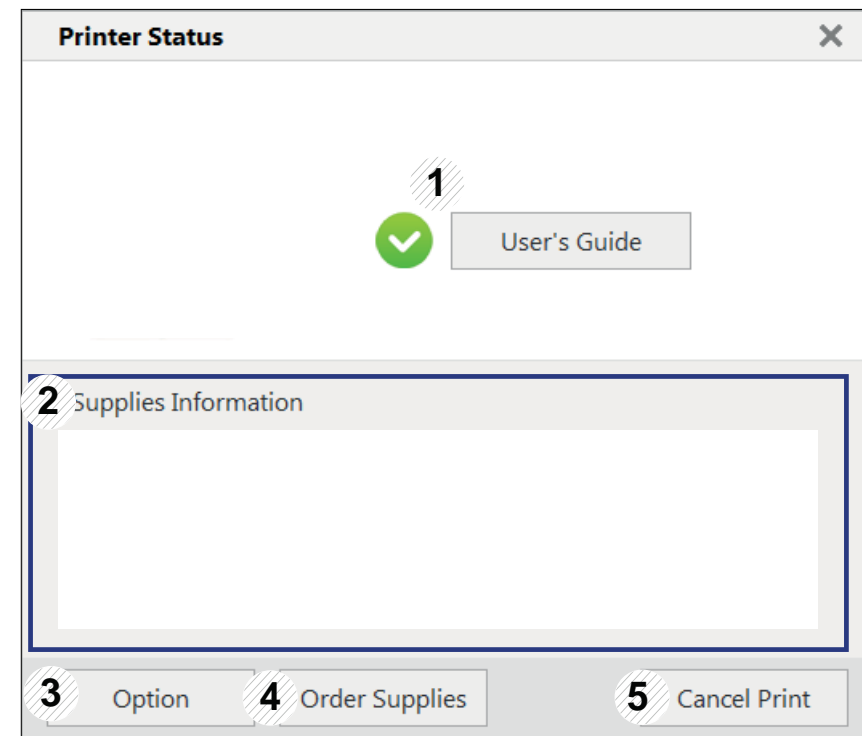
Samsung Printer Status overview

If an error occurs while operating, you can check the error from the Samsung Printer Status. Samsung Printer Status is installed automatically when you install the machine software.


You can also launch Samsung Printer Status manually. Go to the **Printing Preferences**, click the **Basic** tab > **Printer Status** button.

These icons appear on the Windows task bar:

Icon	Mean	Description
	Normal	The machine is in ready mode and experiencing no errors or warnings.
	Warning	The machine is in a state where an error might occur in the future. For example, it might be in toner low status, which may lead to toner empty status.
	Error	The machine has at least one error.



Using Samsung Printer Status

1	User's Guide	<p>You can view the online User's Guide.</p> <div data-bbox="383 308 1081 507"> This button opens the Troubleshooting Guide when an error occurs. You can directly open the troubleshooting section in the user's guide.</div>
2	Supplies Information	<p>You can view the percentage of toner remaining in each toner cartridge. The machine and the number of toner cartridge(s) shown in the above window may differ depending on the machine in use. Some machines do not have this feature.</p>
3	Option	<p>You can set printing job alert related settings.</p>
4	Order Supplies	<p>You can order replacement toner cartridge(s) from online.</p>
5	Cancel Print or Close	<ul style="list-style-type: none">• If print job is waiting in the print queue or printer, cancel all user's print jobs in the print queue or the printer.• Depending on the status of the machine or the supported functions, the Close button may appear to close the status window.

Using Samsung Printer Experience

Samsung Printer Experience is a Samsung application that combines Samsung machine settings and machine management into one location. You can set device settings, order supplies, open troubleshooting guides, visit Samsung's web site, and check connected machine information. This application will be automatically downloaded from the Windows **Store** if the machine is connected to a computer with an Internet connection.



Available for Windows 8 users only.

Understanding the Samsung Printer Experience

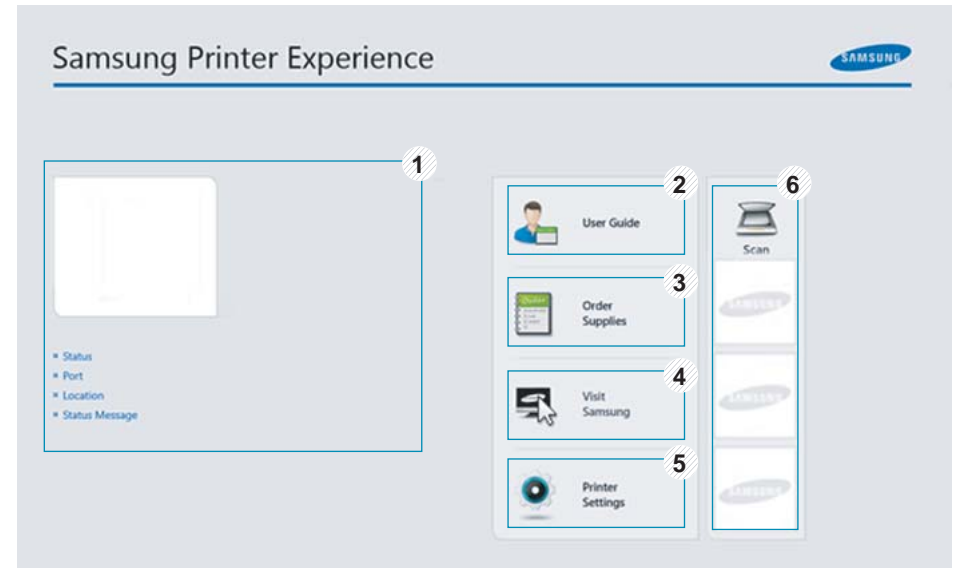
To open the application,

From the **Start** screen, select the **Samsung Printer Experience** () tile.

The **Samsung Printer Experience** interface comprises various useful features as described in the following table:




The screenshot may differ depending on the model you are using.



1	Printer Information	This area gives you general information about your machine. You can check information, such as the machine's status, location, IP address, and remaining toner level.
---	----------------------------	---

Using Samsung Printer Experience

2	User Guide	<p>You can view the online User's Guide. You need to be connected to the Internet to use this feature.</p> <p> This button opens the Troubleshooting Guide when an error occurs. You can directly open the troubleshooting section in the user's guide.</p>
3	Order Supplies	<p>Click on this button to order replacement toner cartridges online. You need to be connected to the Internet to use this feature.</p>
4	Visit Samsung	<p>Links to Samsung printer website. You need to be connected to the Internet to use this feature.</p>
5	Printer Settings	<p>You can configure various machine settings such as machine setup, paper, layout, emulation, networking, and print information through SyncThru™ Web Service. Your machine needs to be connected to a network. This button will be disabled if your machine is connected via USB cable.</p>
6	Device List & Latest Scanned Image	<p>The scan list displays devices that supports Samsung Printer Experience. Under the device, you can see the latest scanned images. Your machine needs to be connected to a network to scan from here.</p> <p>This section is for the users with multi-functional printers.</p>

Adding/Deleting Printers

If you do not have any printer added to the **Samsung Printer Experience**, or if you want to add/delete a printer, follow the instructions below.



You can only add/delete network connected printers.

Adding a printer

- 1 From the **Charms**, select **Settings**.
Or, right-click the **Samsung Printer Experience** page and select **Settings**.
- 2 Select **Add Printer**
- 3 Select the printer you want to add.
You can see the added printer.



If you see  mark, you can also click  mark to add printers.

Using Samsung Printer Experience

Deleting a printer

- 1 From the **Charms**, select **Settings**.
Or, right-click the **Samsung Printer Experience** page and select **Settings**.
- 2 Select **Remove Printer**.
- 3 Select the printer you want to delete.
- 4 Click **Yes**.
You can see that the selected printer is removed from the screen.

Printing from Windows 8

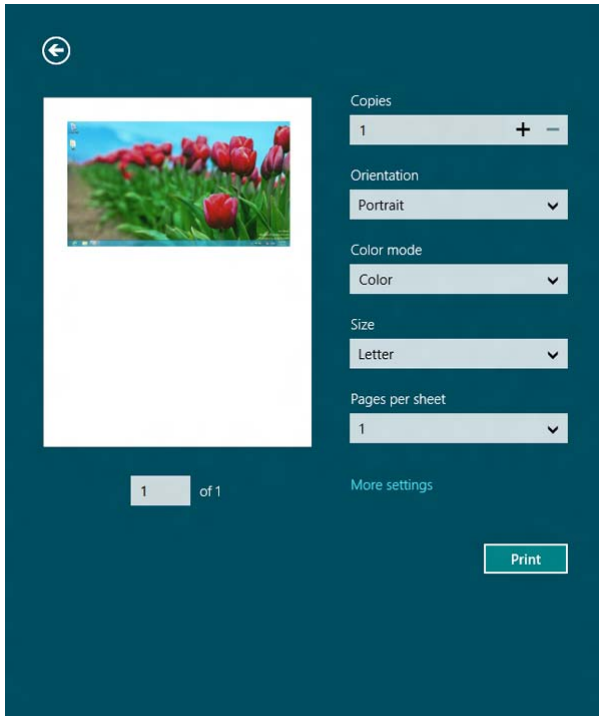
This section explains common printing tasks from the **Start** screen.

Basic printing

- 1 Open the document to print.
- 2 From the **Charms**, select **Devices**.
- 3 Select your printer from the list
- 4 Select the printer settings, such as the number of copies and orientation.



Using Samsung Printer Experience

- 5 Click the **Print** button to start the print job.



Canceling a print job

If the printing job is waiting in the print queue or print spooler, cancel the job as follows:

- You can access this window by simply double-clicking the machine icon () in the Windows task bar.
- You can also cancel the current job by pressing  (**Stop**) button on the control panel.

Opening more settings



The screen may appear somewhat different depending on the model or options.

You can set up more printing parameters.

- 1 Open the document you want to print.
- 2 From the **Charms**, select **Devices**.
- 3 Select your printer from the list
- 4 Click **More settings**.

Using Samsung Printer Experience

Basic tab



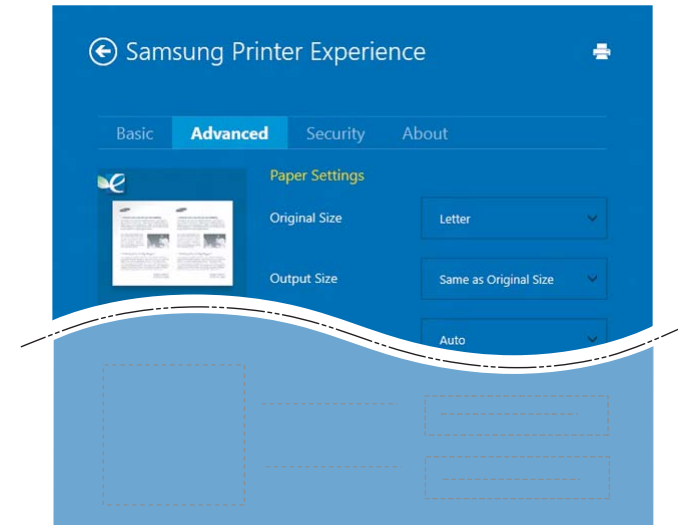
Basic

This option allows you to choose the basic printing settings such as copies, orientation, and document type.

Eco settings

This option allows you to choose multiple pages per side to save media.

Advanced tab



Paper settings

This option allows you to set the basic paper handling specifications.

Layout settings

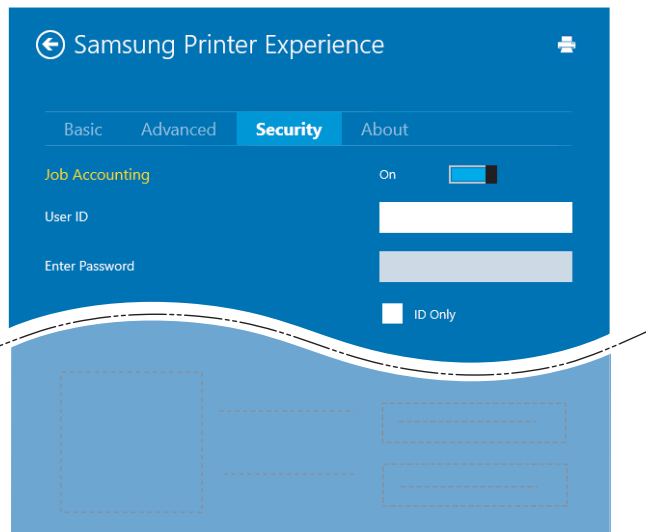
This option allows you to set the various ways to layout your documents.

Using Samsung Printer Experience

Security tab



Some features may not be available depending on the model or options. If this tab is not shown or disabled, it means that these features are not supported.



Job Accounting

This option allows you to print with the given permission.

Confidential Printing

This option is used for printing confidential documents. You need to enter a password to print using it.

Using the sharing feature

Samsung Printer Experience allows you to print from other applications installed on the computer using the sharing feature.



This feature is only available for printing jpeg, bmp, tiff, gif, and png file formats.

- 1 Select the content you want to print from other application.
- 2 From the **Charms**, select **Share > Samsung Printer Experience**.
- 3 Select the printer settings, such as the number of copies and orientation.
- 4 Click the **Print** button to start the print job.

Using Samsung Printer Experience

Scanning from Windows 8





This section is for the users with multi-functional printers.

Scanning with your machine lets you turn pictures and text into digital files that can be stored on your computer.


Scanning from Samsung Printer Experience

The most frequently used printing menus are displayed for quick scanning.

- 1 Place a single document face down on the document glass, or load the documents face up into the document feeder.
- 2 Click the **Samsung Printer Experience** tile on the **Start** screen.
- 3 Click **Scan** ().
- 4 Set up the scanning parameters such as image type, document size, and resolution.
- 5 Click **Prescan** () to check the image.
- 6 Adjust the prescanned image with scanning operation functions such as rotate and mirror.

- 7 Click **Scan** () and save the image.





- When you place the originals in the ADF (or DSDF), **Prescan** () is not available.
- You can skip step 5, if the Prescan option is selected.

Using Box

Understanding the Box screen

Documents and images printed, scanned, downloaded and sent from computers can be stored in the **Box**. The **Box** is located on your machine's hard disk drive (HDD). It means the documents are stored on the HDD. You can create a password for a certain Stored Document, so unauthorized users cannot access it. Also, you can print stored documents by using a variety of printing features and send the documents to several destination such as email, server or fax. You can set a Stored Document and use Stored Document feature with SyncThru™ Web Service.










- If important data is stored in the **Box**, we recommend you to backup the data regularly. Samsung disclaims all responsibility for damage or loss of data caused by misuse or failure of the machine.
- Click the  (**Help**) from the home screen or  (quick menu) and then click on any option you want to know about.

Command keys




When you selected files, shows below menus.


-  (**Print**) : Print files directly.
-  (**Send**) : Send files to **Fax, Email, Server, Box, or USB**.
-  (**Delete**) : Delete folders and files.





Button	Name	Description
	Quick Menu	Open the quick menu.
	Search	Search for a desired menu or app.
	View Mode	Select the view type.
	My Program	Show my program list.

Using Box

Button	Name	Description
	Sub menu (Action overflow)	<p>Open the sub menu.</p> <ul style="list-style-type: none">• Select All : Select all folders and files.• Print Options : Set options for printing.• Create folder : Create a folder.• Rename : Rename a folder or a file.• Delete : Delete folders and files.• Copy : Copy folders and files.• Move : Move folders or files to other storage.• Clear Browsing Info : Clear browsing information.• Detail : View the detail information about a folder or a file.• Filing Policy : Select a filing policy.• Format : Formatting files or data.

Storage

Button	Name	Description
	Forward	Manage the forward data.

Button	Name	Description
	Print	Manage the stored print data.
	Send	Manage the stored send data.
	Download	Manage the stored download data.
	USB	Use a USB memory.

Job progress

This menu appears whenever the machine is processing a job.

- **Detail** : Tap this button to see the status, type, and time of the job.
- **Preview Area** : Allows you to see a preview of the document being saved. The image in the Preview area indicates the current send settings, such as the orientation and size of the file.

Using Box

Using Box

To use the **Box** feature, tap **Box** from the home screen or **Apps**.

Using multi check



This function is not available in **Print** and **Send** storage.

Touch and hold a folder or file, then change the multi check mode.

Create private folder



This function is not available in **Download** and **USB** storage.

- **Public:** All users can access to the files.
- **Private:** Set up the password to prevent unauthorized person from accessing.

1 Select the type of **Storage (Print or Send)** in which you want to create the folder.

2 Tap  > Create folder.

3 Input the folder name and select **Set as Private**, and then tap **OK**.

4 the appropriate information in the **ID, Password, Confirm Password** fields, and then tap **OK**.



9. Consumables and Accessories

This guide provides information on purchasing consumables, accessories and maintenance parts available for your machine.

- **Ordering supplies and accessories** 209
- **Available consumables** 210
- **Available accessories** 212
- **Available maintenance parts** 214
- **Installing accessories** 215
- **Checking replaceable's lifespan** 217
- **Using a USB drive device** 218



Available accessories may differ from country to country. Contact your sales representatives to obtain the list of available accessories.

Ordering supplies and accessories



Available accessories may differ from country to country. Contact your sales representatives to obtain the list of available supplies, and maintenance parts.

- See "Available consumables" on page 210.
- See "Available accessories" on page 212.

To order Samsung-authorized supplies, accessories, and maintenance parts, contact your local Samsung dealer or the retailer where you purchased your machine. You can also visit <http://www8.hp.com/us/en/products/samsung-oas/index.html>, and then select your country/region to obtain the contact information for service.

Available consumables

When Consumables reach their lifespan, you can order the following types of Consumables for your machine.

K740x/K750x/K760x/K765x series

Type	Average yield ^a	Part name
Toner cartridge	Average continuous black cartridge yield: 45,000 standard pages	MLT-K706S (Black)
Waste toner container	Approx. 100,000 pages	MLT-W706


a. Declared yield value in accordance with 5% coverage.


Available consumables


X740x/X750x/X760x series

Type	Average yield ^a	Part name
Toner cartridge	Average continuous black cartridge yield: 45,000 standard pages	CLT-K806S (Black)
	Average continuous colored cartridge yield: 30,000 pages (Cyan/Magenta/Yellow)	CLT-C806S (Cyan) CLT-M806S (Magenta) CLT-Y806S (Yellow)
Waste toner container	Approx. 72,000 pages	CLT-W806

a. Declared yield value in accordance with 5% coverage.

 Depending on the options and job mode used, the toner cartridge's lifespan may differ.

 When purchasing new toner cartridges or other supplies, these must be purchased in the same country as the machine you are using. Otherwise, new toner cartridges or other supplies will be incompatible with your machine due to different configurations of toner cartridges and other supplies according to the specific country conditions.

 You must purchase Consumables, including toner cartridges, in the same country where you purchased your machine. Otherwise, Consumables will be incompatible with your machine since the system configuration of these vary from country to country.

Available accessories

You can purchase and install accessories to enhance your machine's performance and capacity.

Accessory	Function	Part name
Cabinet Stand	You can place the machine on the ergonomically-designed cabinet which lets you reach the machine conveniently. Also, you can easily move the cabinet with its wheels, if necessary, and store miscellaneous items like papers into the cabinet.	SL-DSK501T
Dual Cassette Feeder	If you are experiencing frequent Paper Source problems, you can attach an additional tray. The optional tray can hold up to 1,040 sheets. You can print documents in various sizes and types of print materials in the tray.	SL-PFP501D
High Capacity Feeder - Under	If you are frequently experiencing paper supply problems, you can attach an additional 2,100 sheet tray.	SL-HCF501B

Accessory	Function	Part name
High Capacity Feeder - Side	If you are frequently experiencing paper supply problems, you can attach an additional 2,100 sheet tray.	SL-HCF501S
Working Table	You can place an external authentication device or miscellaneous items on the working table.	CLX-WKT001 SL-WKT101
Fax Kit	This fax kit allows you to use your machine as a fax.	CLX-FAX160
Fax Multiline Kit	This fax multiline kit allows you to use the second fax line.	SL-FAX2501
FDI(Foreign Device Interface)Kit	This card is installed inside the machine to allow a third party device such as a coin operated device or a card reader. Those devices allow the payfor-print service on your machine.	CLX-KIT10F
Job Separator	This Job separator will help the machine to collate printouts.	SL-JST501S

Available accessories

Accessory	Function	Part name
Cassette Locking Kit	This cassette locking kit allows you to lock the cassette.	SL-CLK501
Dehumidifying Heater Kit	This heating wire removes moisture in the cassette, DCF or HCF to prevent becoming damp papers in a high humidity area.	CLX-DHK11C CLX-DHK12C SL-DHK511C SL-DHK512C
Wireless LAN	To purchase the Wireless LAN, contact the retailer or distributor where you purchased the machine. Only authorized service providers, distributors, or retailers are permitted to install the Wireless LAN.	SL-NWA002W
NFC Multifunction Kit	To purchase the NFC Multifunction kit, contact the retailer or distributor where you purchased the machine. Only authorized service providers, distributors, or retailers are permitted to install the NFC Multifunction kit.	SL-NWE002X

Accessory	Function	Part name
Dual Network Kit	This additional network kit allows you to expand the network ports.	SL-NWA001N
550-Sheet Inner Finisher	This inner finisher allows you to sort, group and staple printouts.	SL-FIN501L
3,250-Sheet Stapling Finisher	This stapling finisher allows you to sort, group and staple make with printouts.	SL-FIN701H
2,250-sheet Booklet Finisher	This booklet finisher allows you to fold, sort, group, staple and make booklets with printouts.	SL-FIN701B
Punch Kit for 500-sheet Inner Finisher	This kit allows you to punch holes for filing the printouts.	SL-HPU501T SL-HPU501F SL-HPU501S
Punch Kit for 3,250-sheet Finisher	This kit allows you to punch holes for filing the printouts.	SL-HPU701T SL-HPU701F SL-HPU701S

Available maintenance parts

You need to replace the maintenance parts at specific intervals to keep the machine in the best condition and avoid print quality and paper feeding problems resulting from the worn-out parts. Maintenance parts are mostly rollers, belts and pads. However, the replacement period and parts may differ depending on the model. Replacing maintenance parts can be performed only by an authorized service provider, dealer, or the retailer where you bought the machine. To purchase maintenance parts, contact the retailer where you bought the machine. The replacement period for the maintenance parts is informed by the "Samsung Printer Status" program. Or if your machine supports display screen, a message is displayed in the display screen. The replacement period varies based on the operating system used, computing performance, application software, connecting method, paper type, paper size, and job complexity.

Installing accessories

Precautions

- Disconnect the power cord
Never remove the control board cover while the power is turned on.
To avoid the possibility of an electrical shock, always disconnect the power cord when installing or removing ANY internal or external accessories.
- Discharge static electricity
The control board and internal accessories (network interface card or memory module) are sensitive to static electricity. Before installing or removing any internal accessories, discharge static electricity from your body by touching something metal, such as the metal back plate on any device plugged into a grounded power source. If you walk around before finishing the installation, repeat this procedure to discharge any static electricity again.



When installing accessories, the battery inside the machine is a service component. Do not change it by yourself. There is a risk of an explosion if battery is replaced by an incorrect type. Dispose used batteries according to the instructions.

Setting Device Options

When you install the optional devices such as optional tray, memory, etc, this machine automatically detects and sets the optional devices. If you cannot use the optional devices you installed in this driver, you can set the optional devices in **Device Options**.

- 1 Click the Windows **Start** menu.
 - For Windows 8, from the **Charms**, select **Search > Settings**.
- 2 For Windows XP/2003, select **Printers and Faxes**.
 - For Windows 2008/Vista, select **Control Panel > Hardware and Sound > Printers**.
 - For Windows 7, select **Control Panel > Hardware and Sound > Devices and Printers**.
 - For Windows 8, search for **Devices and Printers**.
 - For Windows Server 2008 R2, select **Control Panel > Hardware > Devices and Printers**.
- 3 Right-click your machine.
- 4 For Windows XP/2003/2008/Vista, press **Properties**.
For Windows 7, Windows 8, and Windows Server 2008 R2, from context menus, select the **Printer properties**.

Installing accessories



If **Printer properties** item has ► mark, you can select other printer drivers connected with selected printer.

5

Select **Device Options**.



The **Properties** window may differ depending on the driver or operating system you are using.

6

Select the appropriate option.



Some menus may not appear in the display depending on options or models. If so, it is not applicable to your machine.

- **Tray Options:** Select the optional tray you installed. You can select the tray.
- **Storage Options:** Select the optional memory you installed. If this feature is checked, you can select the **Print Mode**.
- **Printer Configuration:** Select the printer language for the print job.
- **Administrator Settings:** You can select the **Printer Status** and **EMF Spooling**.

- **Admin Job Accounting:** Allows you to associate user and account identification information with each document you print.
 - **User permission:** If you check this option, only users with user permission can start a print job.
 - **Group permission:** If you check this option, only groups with group permission can start a print job.



If you want to encrypt job accounting password, check **Job Accounting Password Encryption**.

- **Custom Paper Size Settings:** You can specify custom paper size.

7

Click **OK** until you exit the **Properties** or **Printer properties** window.

Checking replaceable's lifespan

If you experience frequent paper jams or printing problems, check the remaining lifespan of Consumables. Replace the corresponding parts, if necessary.

- 1 Tap **Settings** > **Management** > **Supplies Life** from the main screen.
- 2 Check the consumables life.

Using a USB drive device

This chapter explains how to use a USB Drive device with your machine.

Understanding the USB screen

To use the **USB** feature, tap **Box** > **USB** from the home screen or **Apps**.

Documents and images printed, scanned, downloaded and sent from USB can be stored in the **Box** (see "Using Box" on page 205).

About USB Drive device

USB Drive devices are available with a variety of memory capacities to give you more room for storing documents, presentations, music and videos, high resolution photographs, or whatever other files you want to store or move.

You can do the following on your machine using a USB Drive device:

- Scan documents and save them on a USB Drive device.
- Print data stored on a USB Drive device.
- Format the USB Drive device.

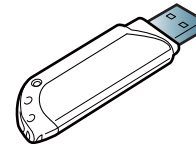
Your machine supports USB Drive devices with FAT16/FAT32 and sector size of 512 bytes.

Check your USB Drive device's file system from your dealer.

You must use only an authorized USB Drive device with an A plug type connector.



Use only a USB Drive device with metal-shielded connector.



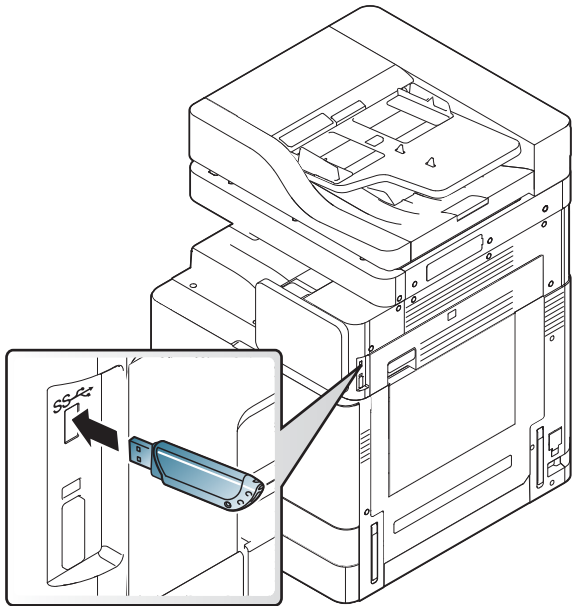
Only use a USB Drive device that has obtained compatibility certification; otherwise, the machine might not recognize it.

Insert a USB Drive device into the USB port on your machine.

Using a USB drive device



Do not insert the USB Drive device to other ports except the ports which is as shown below the image.



- Do not remove the USB Drive device while it is in use. The machine warranty does not cover damage caused by a user's misuse.
- If your USB Drive device has certain features, such as security settings and password settings, your machine may not automatically detect it. For details about these features, see USB Drive device's User's Guide.

Printing from a USB Drive device

You can directly print files stored on a USB Drive device. You can print TIFF, JPEG and PRN files.

USB print option supported file types:

- **PRN:** Only files created by provided driver with your machine are compatible. PRN files can be created by selecting the **Print to file** check box when you print a document. The document will be saved as a PRN file, rather than printed on paper. Only PRN files created in this fashion can be printed directly from USB Drive device (see "Printing to a file (PRN)" on page 98).
- **TIFF:** TIFF 6.0 Baseline
- **JPEG:** JPEG Baseline
- **PDF:** PDF 1.7 and below



In case of 8bit CMYK JPEG files, Job could be cancelled.

Using a USB drive device

To print a document from a USB Drive device:

- 1 Insert a USB Drive device into the USB port on your machine.
Your machine automatically detects the device and reads data stored on it (see "About USB Drive device" on page 218).



- The machine cannot detect the unformatted USB Drive device. Format, and then reinsert the USB Drive device into the USB port on your machine.
- If the machine did not detect your USB Drive when the machine is in power save mode. Wake up the device and wait until the machine returns to ready state. Then reinsert the USB Drive back into the USB port on the front of your device.

- 2 Tap **Box** > **USB** from the home screen or **Apps**.

- 3 The machine shows all files in the USB Drive device.

Touch and hold folder or document you want to print from the list.



If the PDF file you selected is secured with a password, you have to know the password for printing. Enter the password when the machine requires the secure password. If you do not know the password, the print job will be cancelled.

- 4 Tap  > **Print** > **Print Options**.

- 5 Select the appropriate option.

- **Copies:** Selects the number of copies.
- **Paper Source:** Select from which tray the paper is used.
- **Auto fit:** Allows you to scale your print job to the selected paper size in the tray regardless of the document size. Select a tray, and press **On**.

- 6 Tap  icon to begin printing.

- 7 After printing is completed, you can remove the USB Drive device from the machine.

Using a USB drive device

Managing USB Drive device

You can delete image files stored on a USB Drive one-by-one or all at once by reformatting the device.




After deleting files or reformatting a USB Drive device, files cannot be restored. Confirm that you no longer need the data before deleting it.

Deleting an image file

- 1 Insert a USB Drive device into the USB port on your machine.
- 2 Tap **Box** > **USB** from the home screen or **Apps**.
- 3 The machine shows all files in the USB Drive device.
Touch and hold folder or document you want to delete from the list.



If the file is in a folder, press the folder name.


- 4 Tap  > **Delete**.
- 5 Tap **Delete** when the confirmation window appears.

Formatting a USB Drive device

- 1 Insert a USB Drive device into the USB port on your machine.
- 2 Tap **Box** > **USB** from the home screen or **Apps**.
- 3 The machine shows all files in the USB Drive device.
Touch and hold folder or document you want to delete from the list.



If the file is in a folder, press the folder name.

- 4 Tap  > **Format**.
- 5 Tap **Format** when the confirmation window appears.



10. Troubleshooting

This chapter gives helpful information for what to do if you encounter an error.

- **Redistributing toner** 223
- **Replacing the toner cartridge** 225
- **Replacing the imaging unit** 228
- **Replacing the waste toner container** 229
- **Tips for avoiding paper jams** 231
- **Clearing paper jams** 232
- **Understanding display messages** 250
- **Power and cable connecting problems** 258
- **Solving other problems** 259



If you cannot solve problems using this chapter, contact your administrator or service center. You can see the contact information from **Settings > Contact Information > System Administrator** or **Samsung Support**. This information is configured by the machine's administrator.

Redistributing toner

When the toner cartridge is near the end of its life:

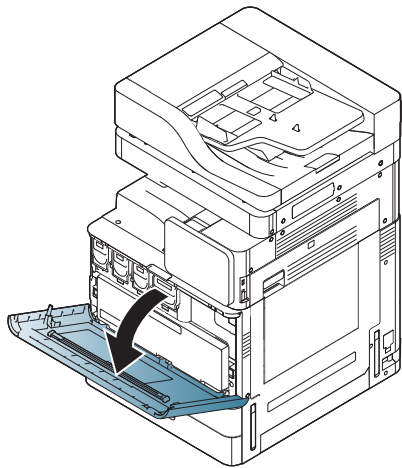
- White streaks or light printing occurs.
- Toner low related message appears on the display.
- The status LED blinks red.

If this happens, you can temporarily improve print quality by redistributing the remaining toner in the cartridge. In some cases, white streaks or light printing will still occur even after you have redistributed the toner.

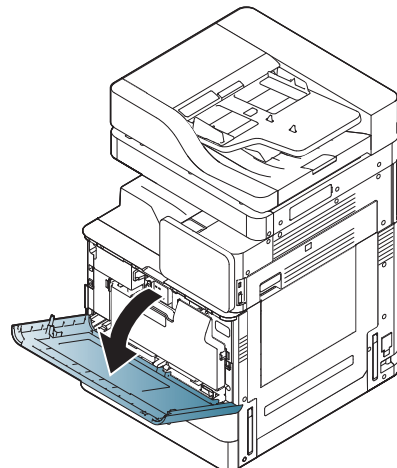
Redistributing toner

- 1 Open the front door.

X740x / X750x / X760x series



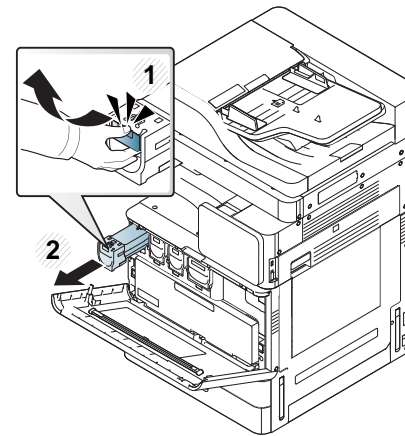
K740x / K750x / K760x / K765x series



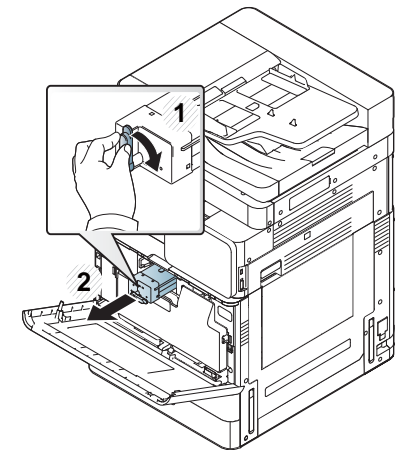
Toner particles can be released inside the machine but it does not mean the machine is damaged. Contact a service representative when print quality problems occur.

- 2 Pull the corresponding toner cartridge out from the machine.

X740x / X750x / X760x series

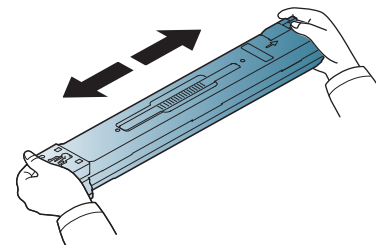


K740x / K750x / K760x / K765x series

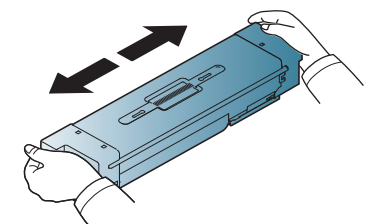


- 3 Thoroughly shake the cartridge five or six times to distribute the toner evenly inside the cartridge.

X740x / X750x / X760x series



K740x / K750x / K760x / K765x series



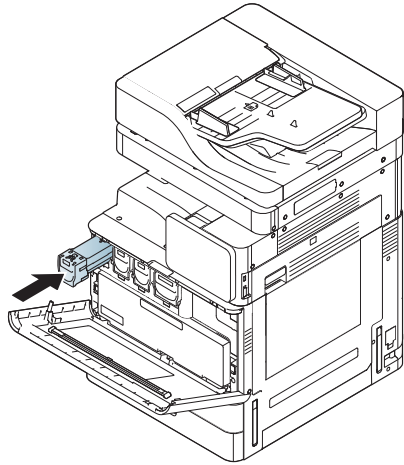
Redistributing toner



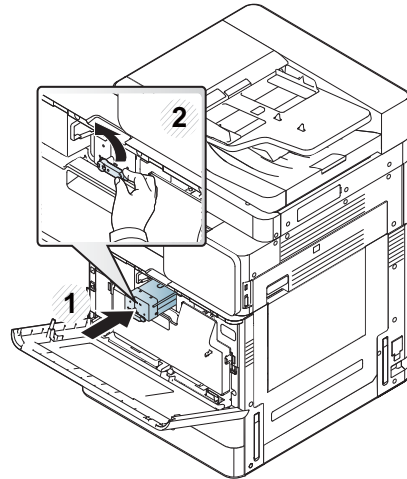
If toner gets on your clothing, wipe it off with a dry cloth and wash clothing in cold water. Hot water sets toner into fabric.

- 4 Hold the toner cartridge and align it with the corresponding slot inside the machine. Insert it back into its slot until it locks in place.

X740x / X750x / X760x series



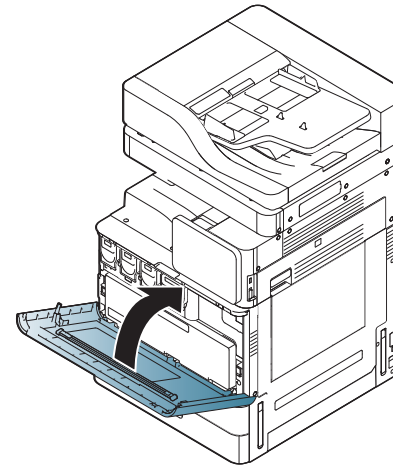
K740x / K750x / K760x / K765x series



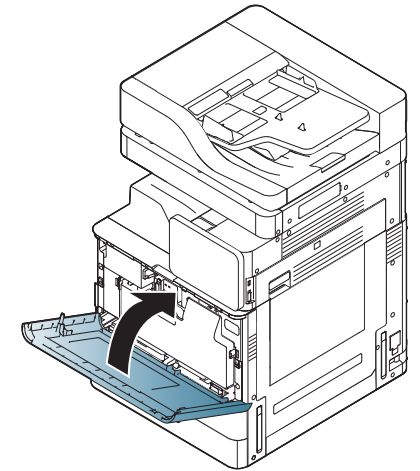
5

- 5 Close the front door. Ensure that the door is securely closed.

X740x / X750x / X760x series



K740x / K750x / K760x / K765x series



If the front door is not completely closed, the machine will not operate.

Replacing the toner cartridge

- X740x/750x/760x series uses four colors and has a different toner cartridge for each one: yellow(Y), magenta(M), cyan(C), and black(K).
- K740x/750x/760x/765x series uses one color and has a toner cartridge for black(K).

When the toner cartridge is totally empty

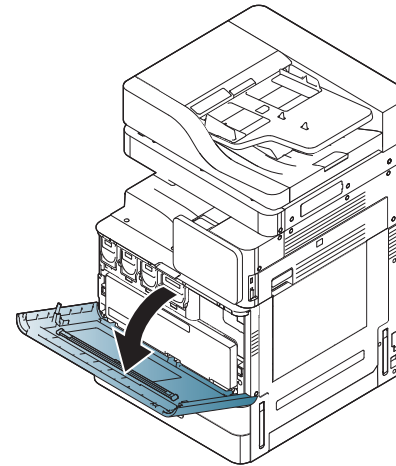
- The status LED turns red on and the display screen shows the error message of replacing toner.
- The machine stops printing and incoming faxes are saved in memory. However, when the color toner cartridges are empty, but there is toner left in the black toner cartridge, you can still print black-and-white print jobs (the submitted job must be in black and white).
- Check the type of the toner cartridge for your machine (see "Consumables and Accessories" on page 208).

At this stage, the toner cartridge needs to be replaced.

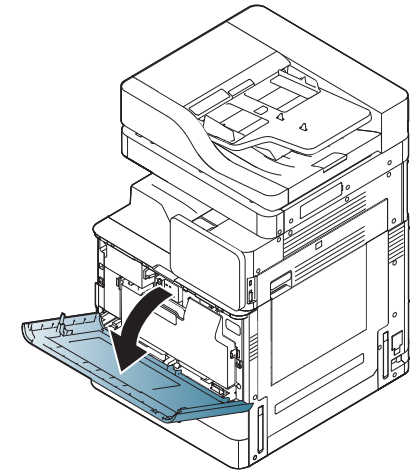
Replacing the toner cartridge

- 1 Open the front door.

X740x / X750x / X760x series



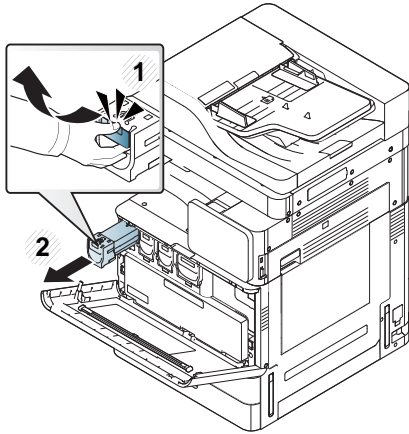
K740x / K750x / K760x / K765x series



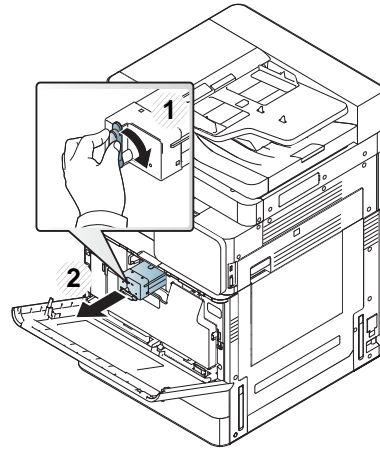
Replacing the toner cartridge

- 2** Pull the corresponding toner cartridge out from the machine.

X740x / X750x / X760x series

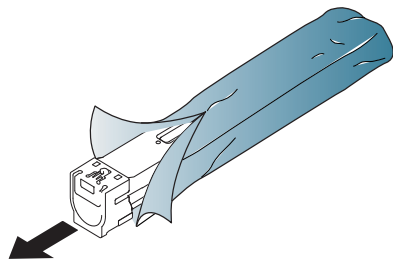


K740x / K750x / K760x / K765x series

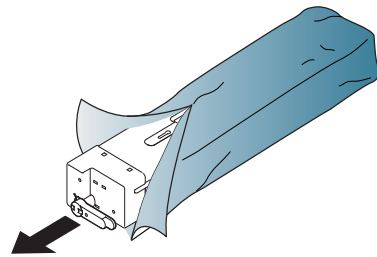


- 3** Slide the new toner cartridges from its bag.

X740x / X750x / X760x series

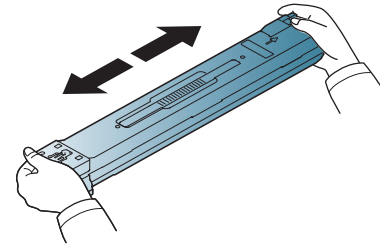


K740x / K750x / K760x / K765x series

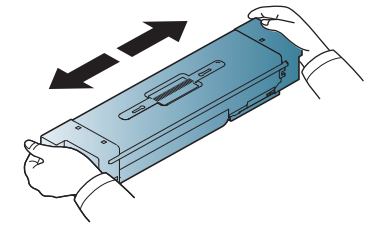


- 4** Thoroughly roll the cartridge five or six times to distribute the toner evenly inside the cartridge.

X740x / X750x / X760x series

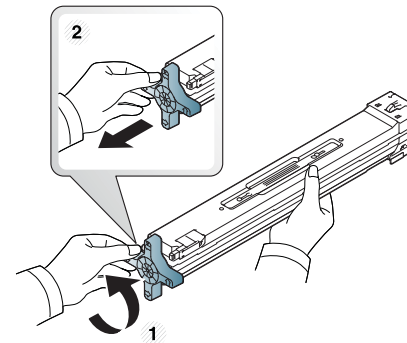


K740x / K750x / K760x / K765x series

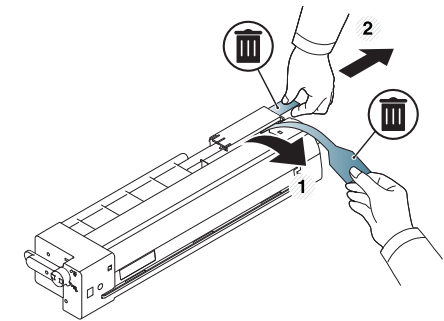


- 5** Carefully remove the cap from the toner cartridge or pull the sealing tape out of the toner cartridge.

X740x / X750x / X760x series



K740x / K750x / K760x / K765x series

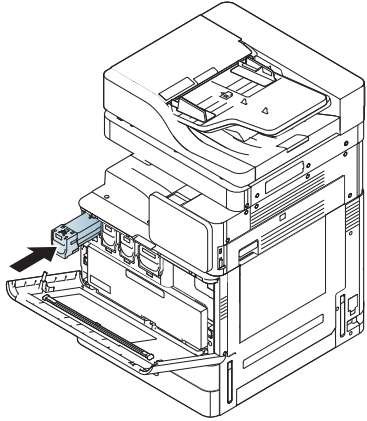


If toner gets on your clothing, wipe it off with a dry cloth and wash clothing in cold water. Hot water sets toner into fabric.

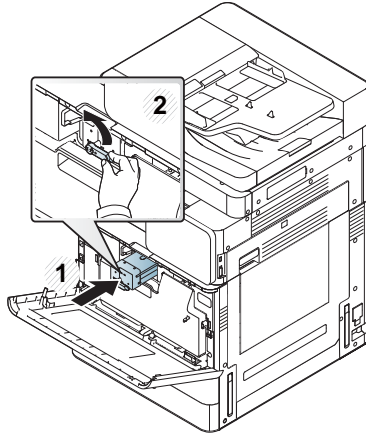
Replacing the toner cartridge

- 6 Hold the toner cartridge and align it with the corresponding slot inside the machine. Insert it back into its slot until locks in place.

X740x / X750x / X760x series



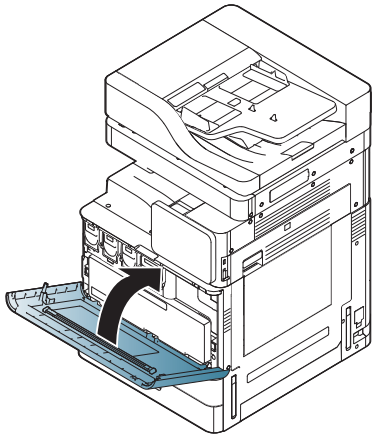
K740x / K750x / K760x / K765x series



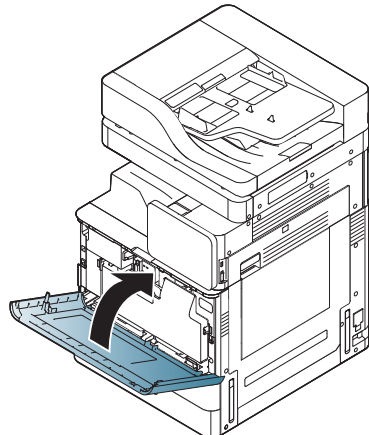
If the front door is not completely closed, the machine will not operate.

- 7 Close the front door. Ensure that the door is securely closed.

X740x / X750x / X760x series



K740x / K750x / K760x / K765x series



Replacing the imaging unit

- X740x/750x/760x series uses four colors and has a imaging unit for each one: yellow(Y), magenta(M), cyan(C), and black(K).
- K740x/750x/760x/765x series uses one color and has a imaging unit for black(K).

When the life of the imaging unit expires totally

- The status LED turns red on and the display screen shows the error message for replacing imaging unit.
- Check the type of the imaging unit for your machine.(see "Consumables and Accessories" on page 208)

At this stage, the imaging unit needs to be replaced.

Replacing the waste toner container

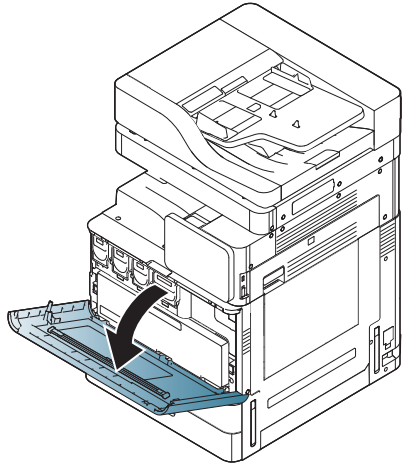
When the life of the waste toner container expires totally, the display screen shows the error message of replacing waste toner container.

At this stage, the waste toner container needs to be replaced.

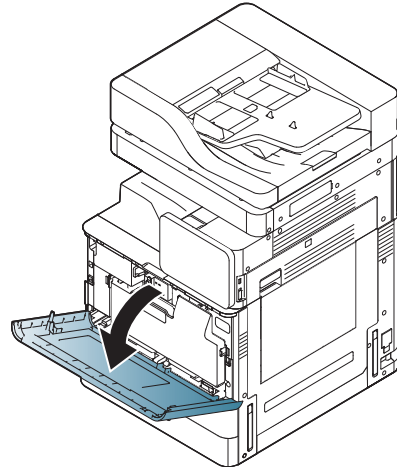
- Check the type of the waste toner container for your machine (see "Consumables and Accessories" on page 208).

1 Open the front door.

X740x / X750x / X760x series

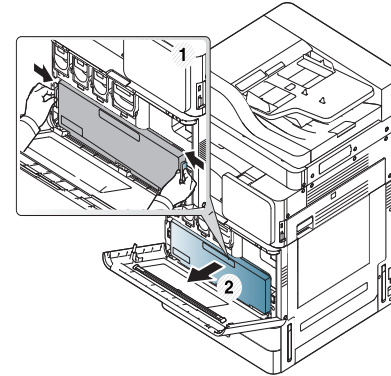


K740x / K750x / K760x / K765x series

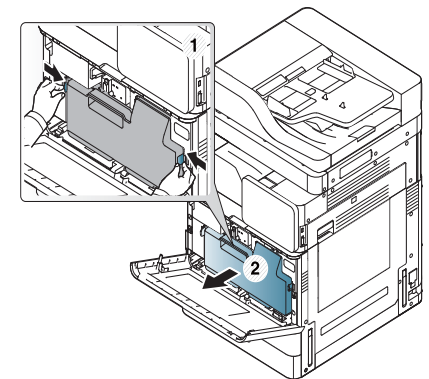


2 Push the left/right locking levers and push outward as shown below. Then remove the waste toner container.

X740x / X750x / X760x series



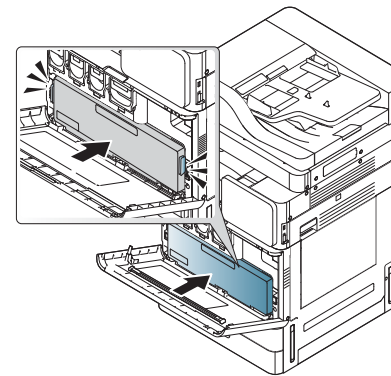
K740x / K750x / K760x / K765x series



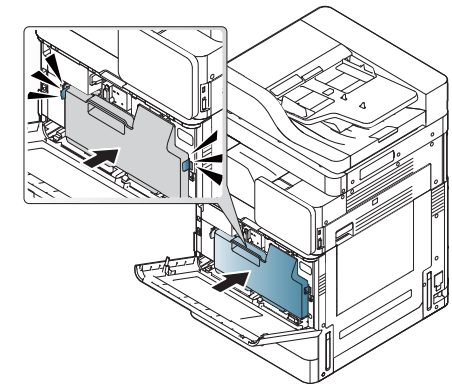
3 Remove the new waste toner container from its package.

4 Insert the new waste toner container until it locks in place.

X740x / X750x / X760x series



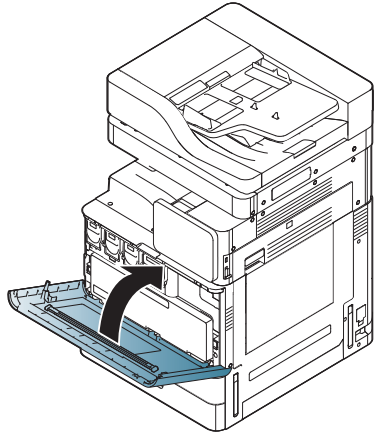
K740x / K750x / K760x / K765x series



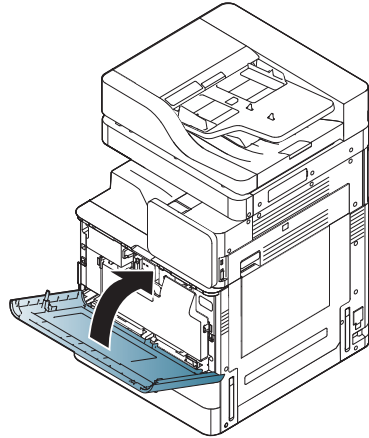
Replacing the waste toner container

- 5 Close the front door. Ensure that the door is securely closed.

X740x / X750x / X760x series



K740x / K750x / K760x / K765x series



If the front door is not completely closed, the machine will not operate.

Tips for avoiding paper jams

By selecting the correct media types, most paper jams can be avoided. When a paper jam occurs, refer to the next guidelines.

- Ensure that the adjustable guides are positioned correctly (see "Loading paper in the tray" on page 52).
Do not overload the tray. Ensure that the paper level is below the paper capacity mark on the inside of the tray.
- Do not remove paper from the tray while your machine is printing.
- Flex, fan, and straighten paper before loading.
- Do not use creased, damp, or highly curled paper.
- Do not mix paper types in a tray.
- Use only recommended print media (see "Tray Settings" on page 67).
- Ensure that the recommended side of the print media is facing up in the tray, or facing down in the multi-purpose tray.

Clearing paper jams

When a paper jam occurs, a warning message appears on the display screen.



To avoid tearing the paper, pull the jammed paper out slowly and gently. Follow the instructions in the following sections to clear the jam.

Original paper jam in front of scanner



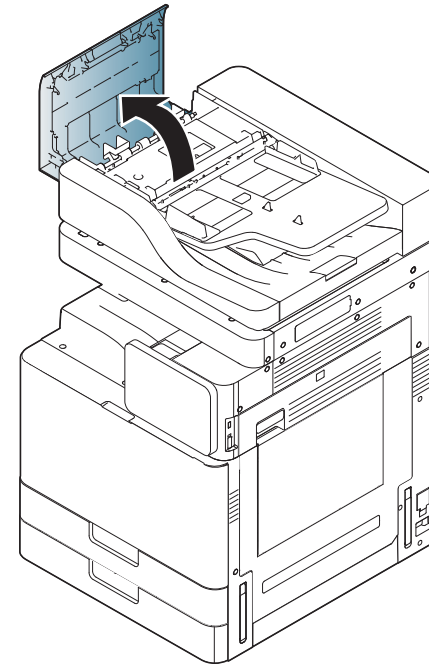
To prevent document jams, use the scanner glass for thick, thin, or mixed paper-type originals.

1

Remove any remaining pages from the DSDF.

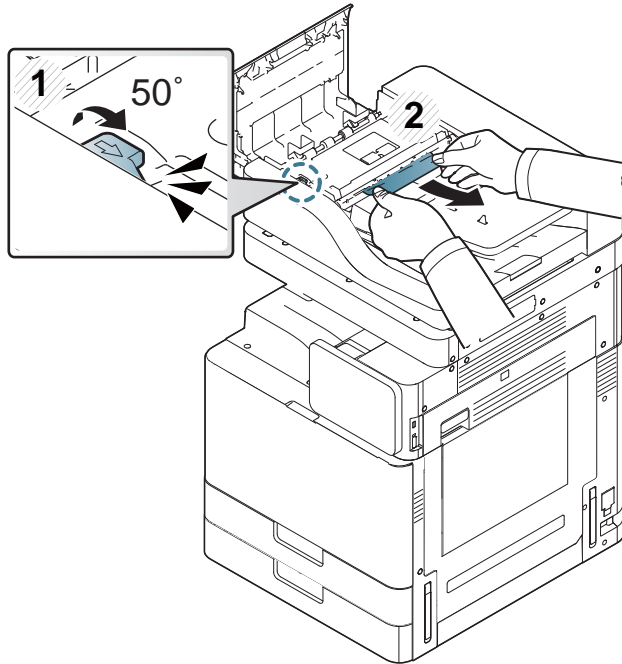
2

Open the DSDF cover.

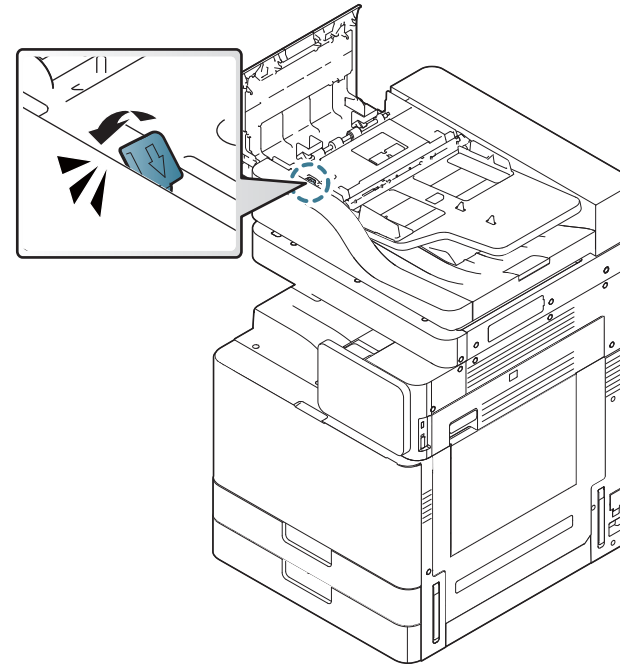


Clearing paper jams

- 3** Lift the lever as below picture and gently remove the jammed paper from the DSDF.

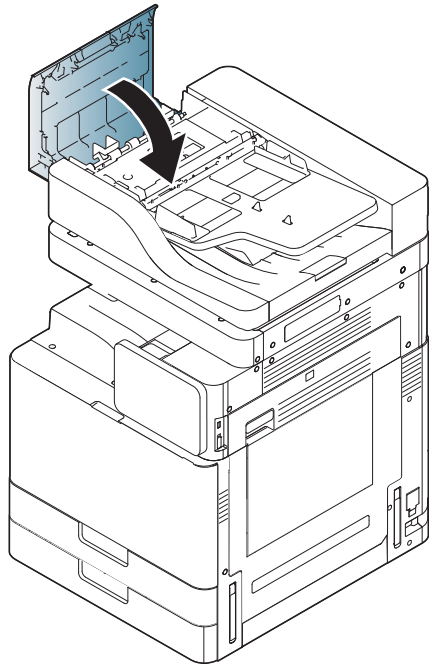


- 4** Pull down the lever.



Clearing paper jams

- 5 Close the DSDF cover.

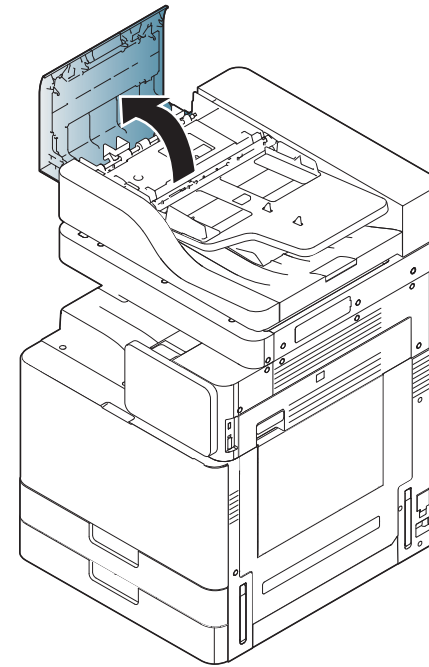


Original paper jam inside of scanner



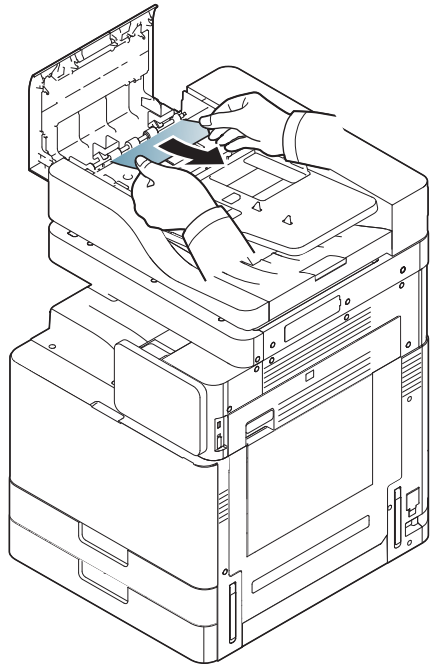
To prevent document jams, use the scanner glass for thick, thin, or mixed paper-type originals.

- 1 Remove any remaining pages from the DSDF.
- 2 Open the DSDF cover.



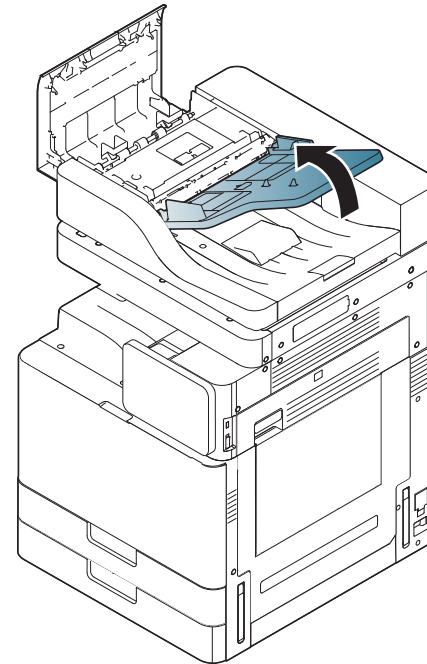
- 3 Gently remove the jammed paper from the DSDF.

Clearing paper jams



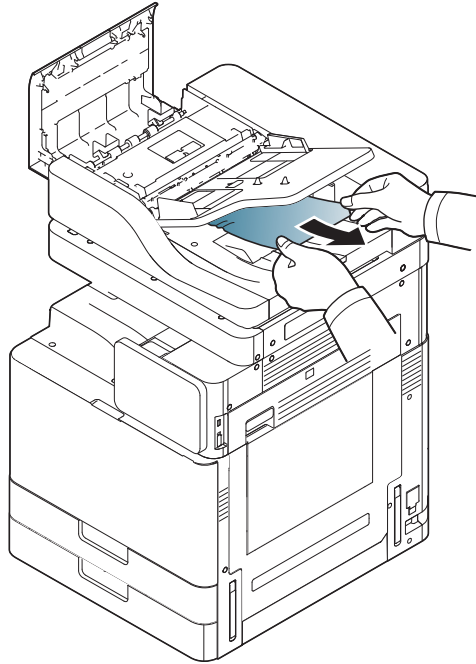
If you do not see paper in this area, go to the next step.

- 4 Open the DSDF input tray.



Clearing paper jams

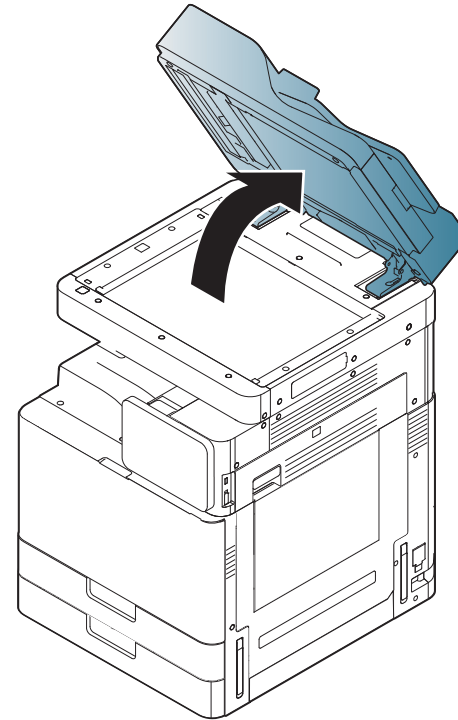
- 5 Pull the jammed paper gently out of the DSDF.



If you do not see paper in this area, go to the next step.

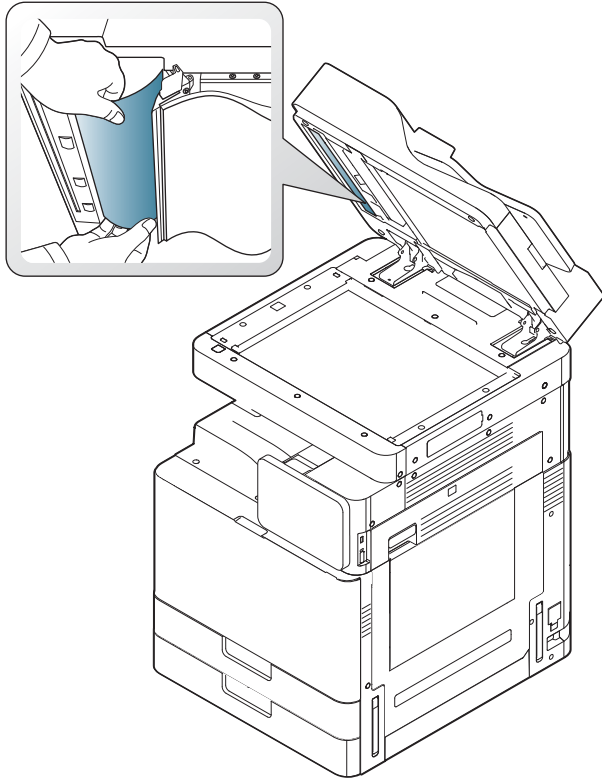
- 6 Close DSDF cover and DSDF input tray.

- 7 Open the DSDF.



Clearing paper jams

- 8 Grasp the misfed paper, and remove the paper from the feed area by carefully pulling it using both hands.



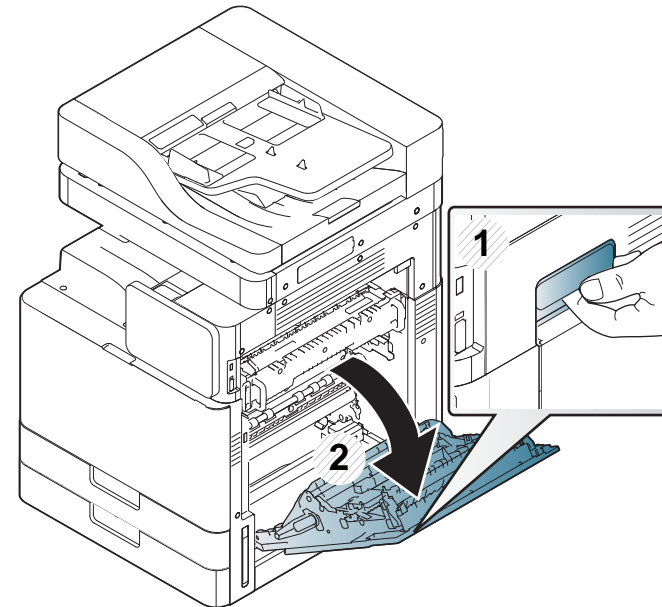
- 9 Close the DSDF.

Paper jam in tray 1, 2



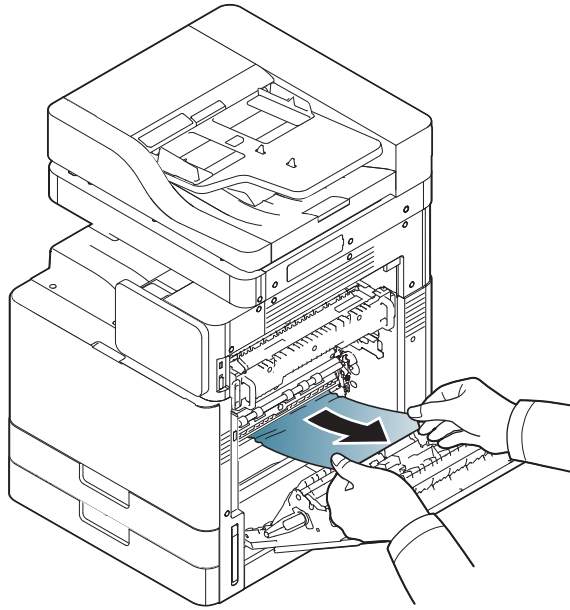
The fuser area is hot. Take care when removing paper from the machine.

- 1 Open the right door.



Clearing paper jams

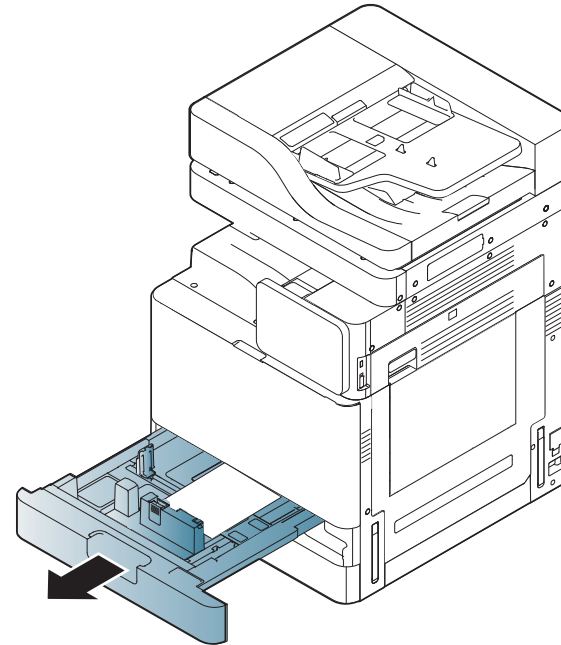
- 2 Remove the jammed paper by gently pulling it straight out.



Close the right door.

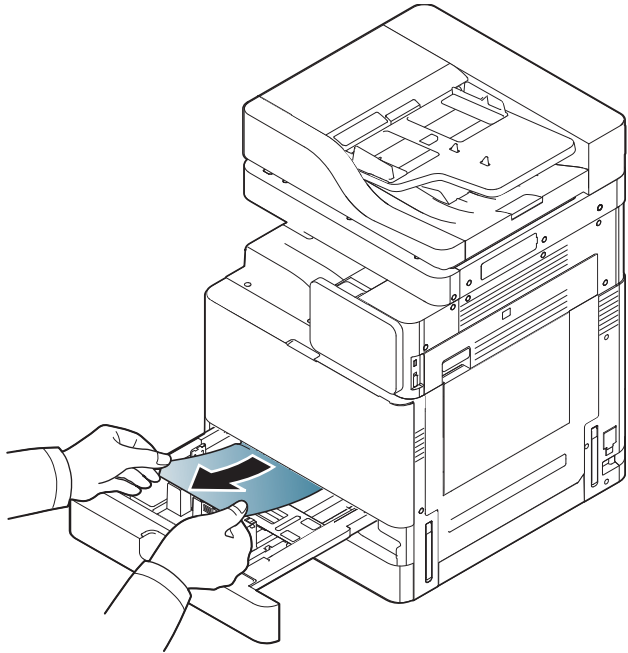
If you do not see paper in this area, go to the next step.

- 3 Pull out tray 1 or 2.



Clearing paper jams

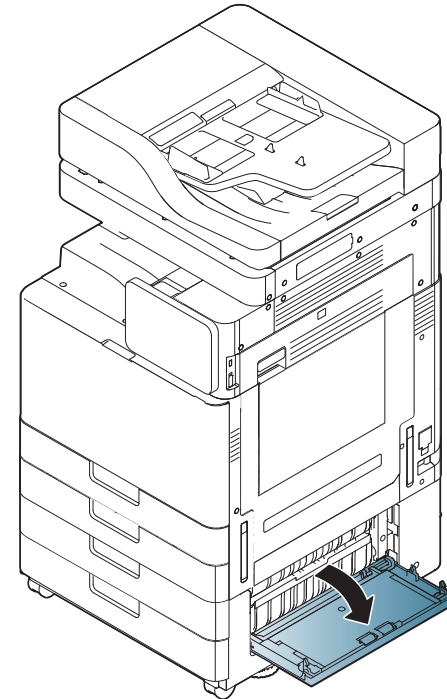
- 4 Remove the jammed paper from the machine.



- 5 Insert tray 1 or 2 back into the machine until it locks into place. Printing automatically resumes.

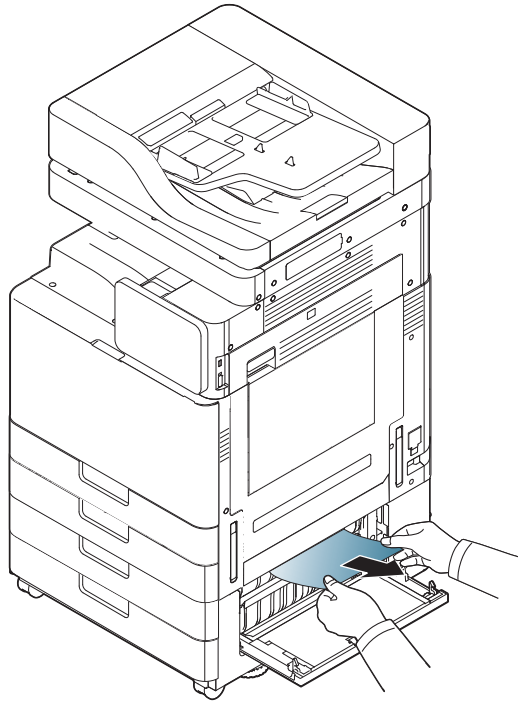
Paper jam in tray 3, 4

- 1 Open the right bottom door of the dual cassette feeder.



Clearing paper jams

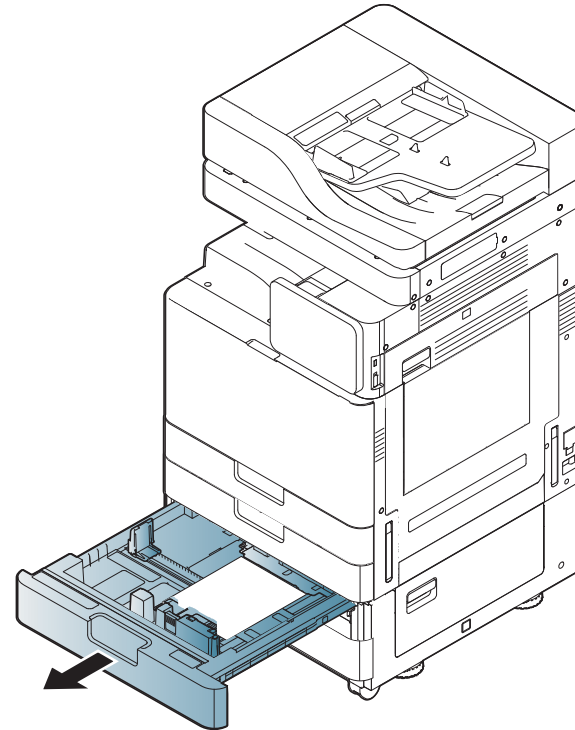
- 2 Remove the jammed paper by gently pulling it straight out.



Close the dual cassette feeder right bottom door.

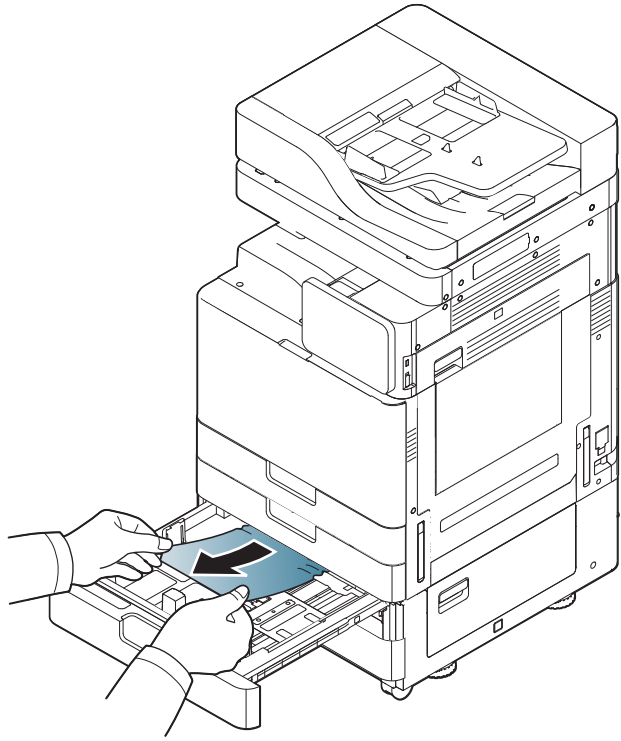
If you do not see paper in this area, go to the next step.

- 3 Pull out tray 3 or 4.



Clearing paper jams

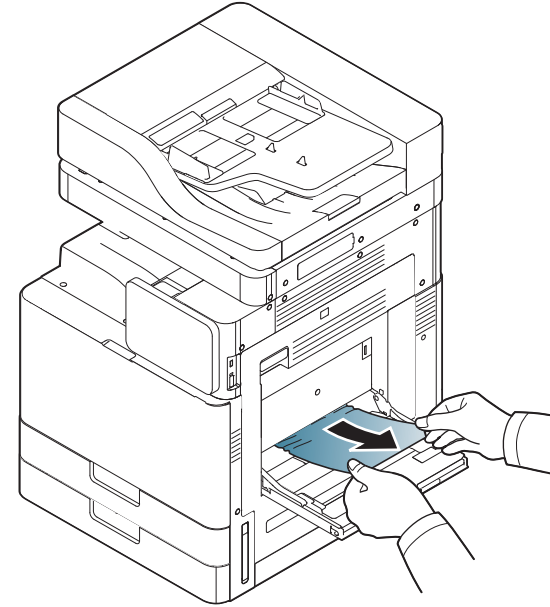
- 4 Remove the jammed paper from the machine.



- 5 Insert tray 3 or 4 back into the machine until it locks into place. Printing automatically resumes.

Paper jam in the multi-purpose tray

- 1 If the paper is not feeding properly, pull the paper out of the machine.



- 2 Open and close the front door to resume printing.

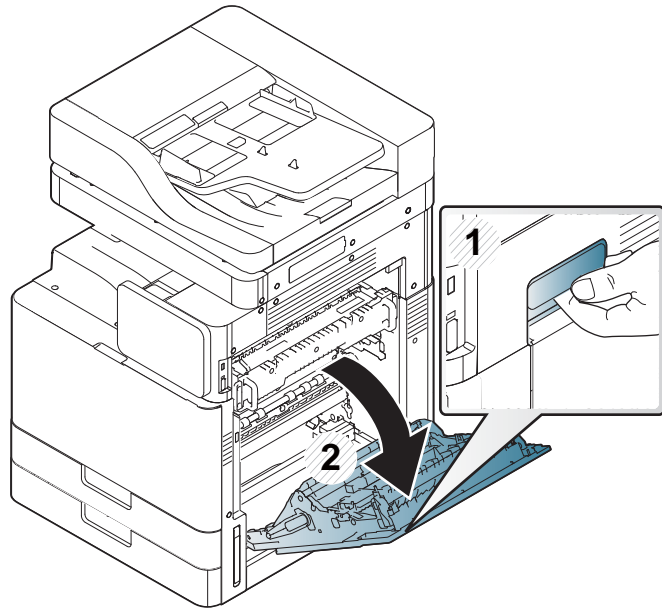
Clearing paper jams

Paper jam inside the machine (Jam feed 1, Jam feed 2)

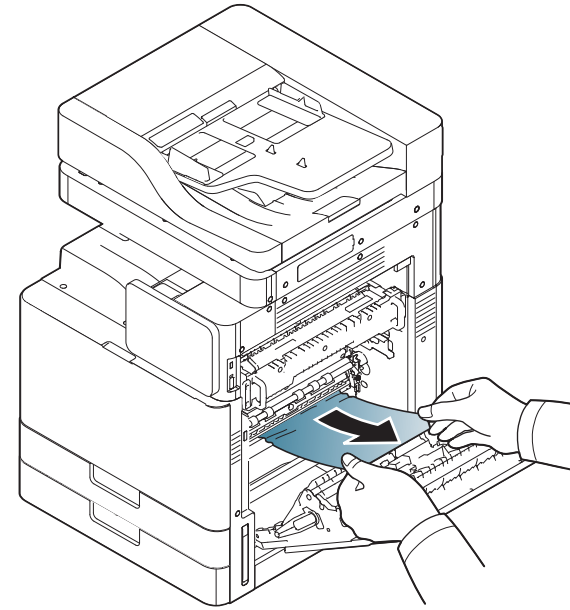


The fuser area is hot. Take care when removing paper from the machine.

- 1 Open the right door.



- 2 Remove the jammed paper by gently pulling it straight out.

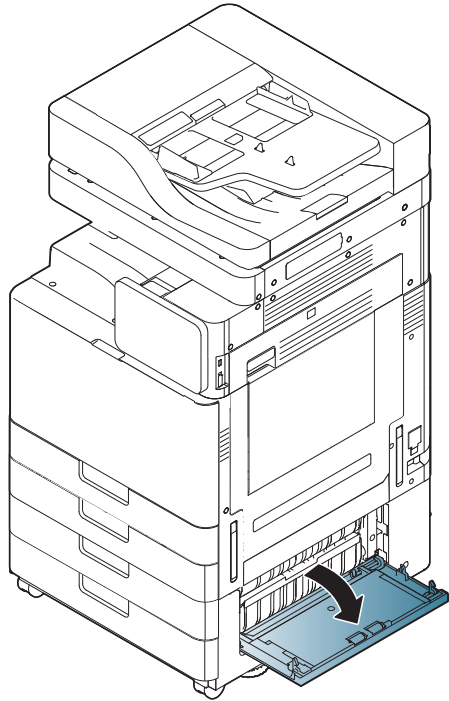


- 3 Close the right door.

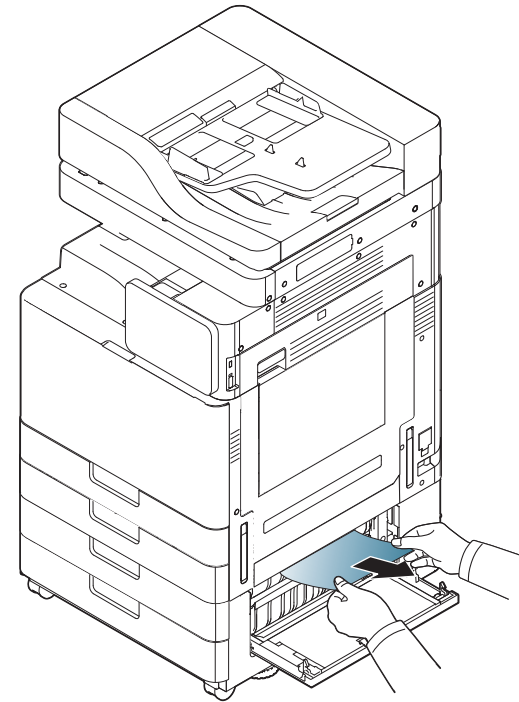
Clearing paper jams

Paper jam inside the machine (Jam feed 3, Jam feed 4)

- 1 Open the right bottom door of the dual cassette feeder.



- 2 Remove the jammed paper by gently pulling it straight out.



- 3 Close the dual cassette feeder right bottom door.

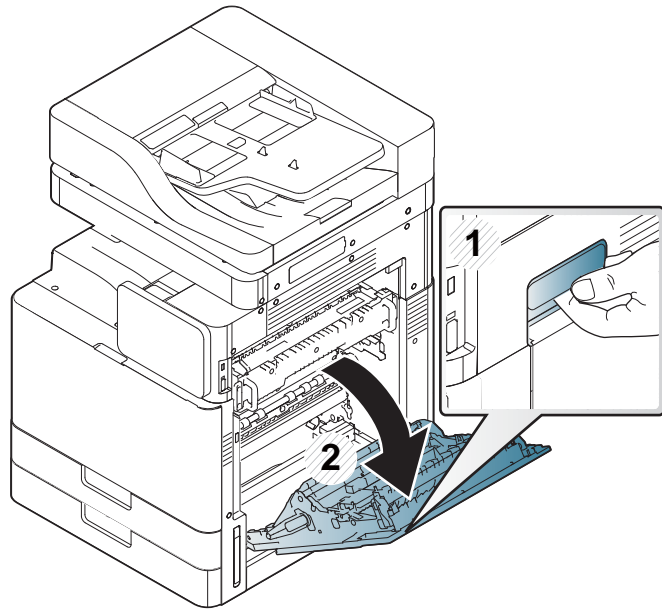
Clearing paper jams

Paper jam inside the machine (Jam Registration)

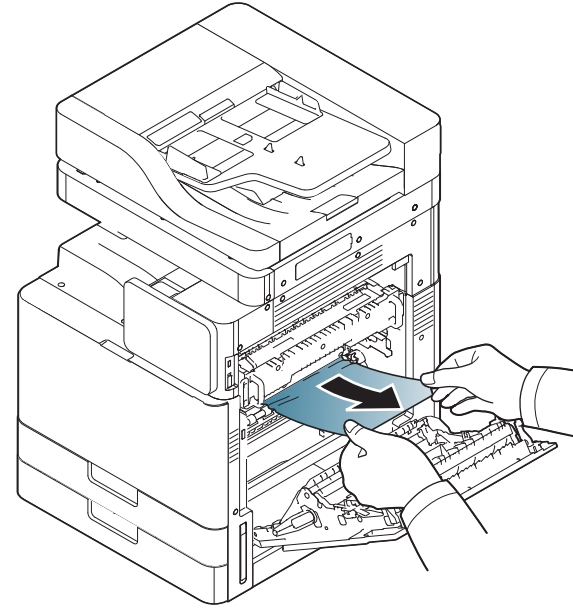


The fuser area is hot. Take care when removing paper from the machine.

- 1 Open the right door.



- 2 Remove the jammed paper by gently pulling it straight out.



- 3 Close the right door.

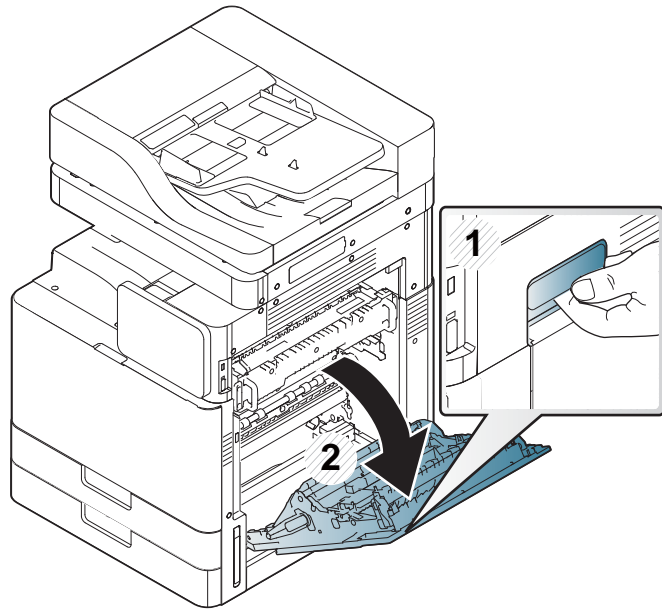
Clearing paper jams

Paper jam inside of the machine (Jam at Fuser out)

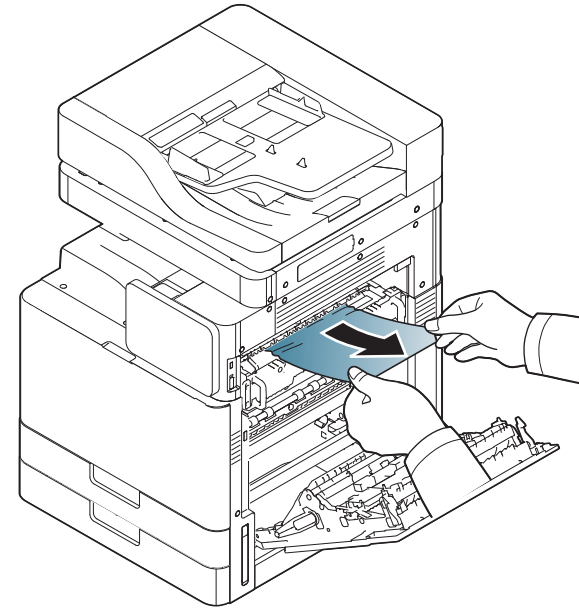


The fuser area is hot. Take care when removing paper from the machine.

- 1 Open the right door.



- 2 Then remove the jammed paper by gently pulling it straight out.



- 3 Close the fuser cover and the right door.

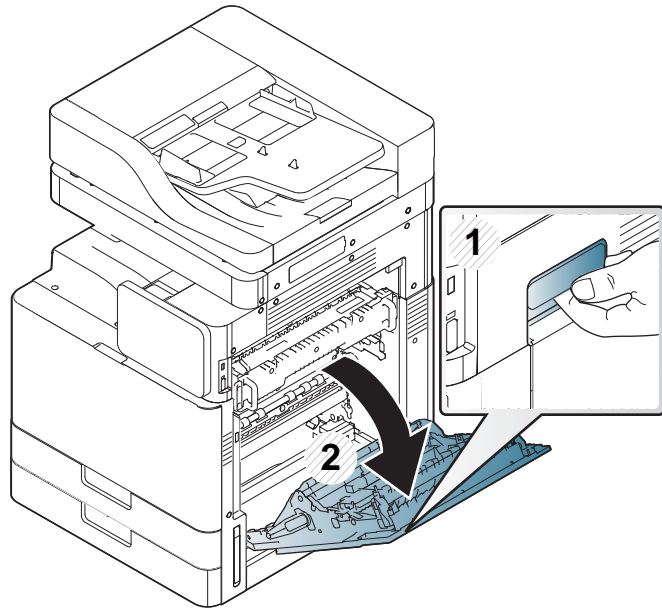
Clearing paper jams

Paper jam at the top of duplex path (Jam Duplex Return, Jam Duplex 1)

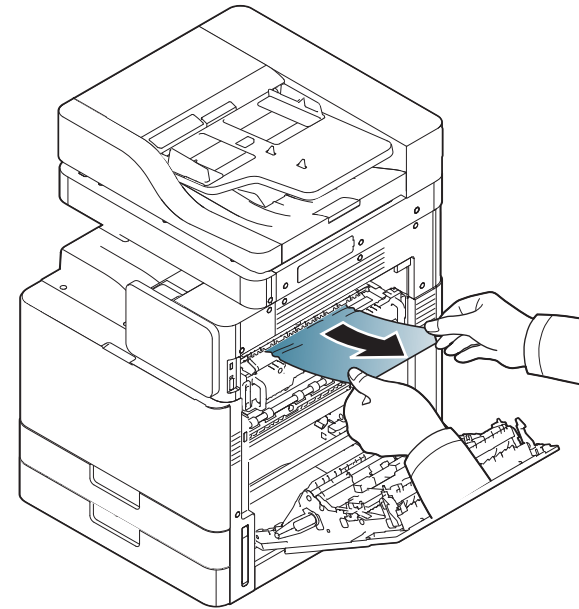


The fuser area is hot. Take care when removing paper from the machine.

- 1 Open the right door.



- 2 Remove the jammed paper by gently pulling it straight out.



- 3 Close the right door.

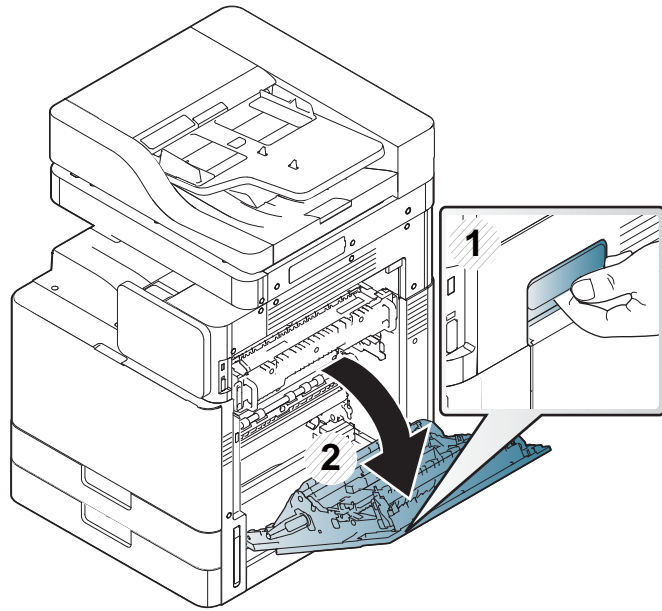
Clearing paper jams

Paper jam at the inside of duplex path (Jam Duplex 2)

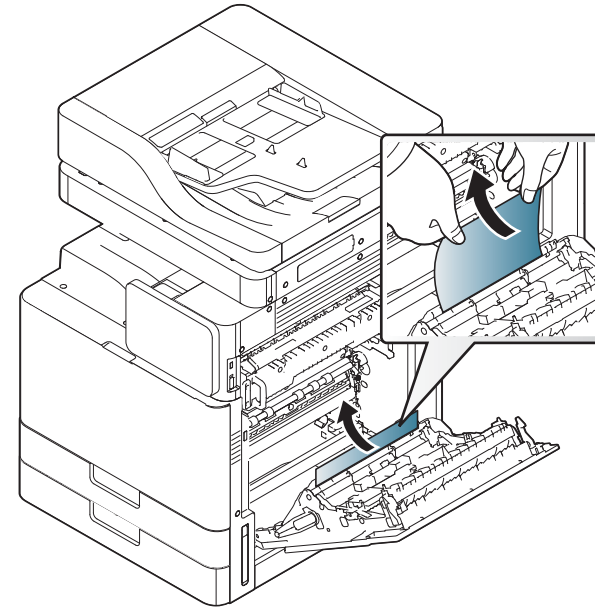


The fuser area is hot. Take care when removing paper from the machine.

- 1 Open the right door.



- 2 Remove the jammed paper by gently pulling it straight out.



- 3 Close the right door.

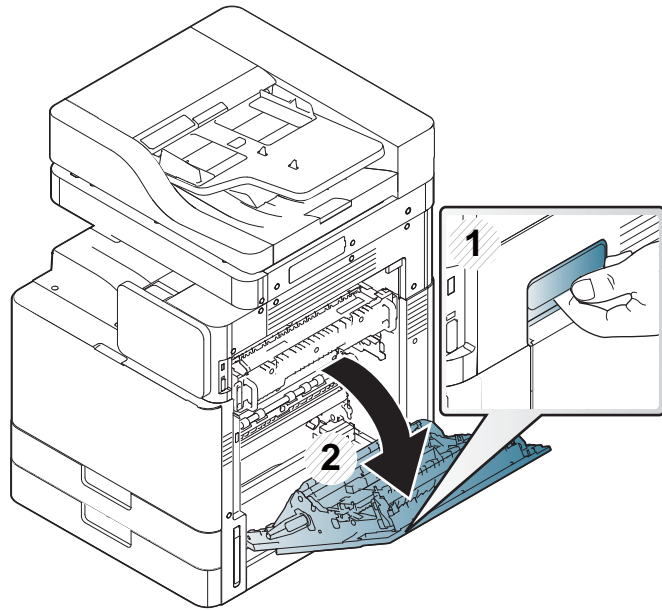
Clearing paper jams

Paper jam bottom of duplex path (Jam Duplex Regi.)

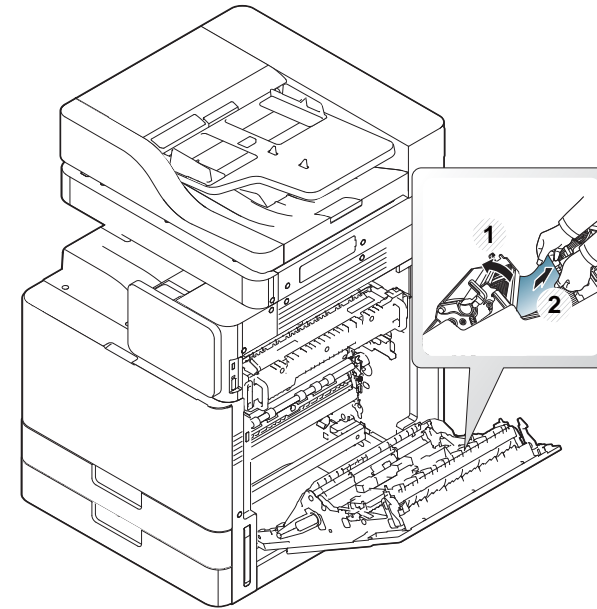


The fuser area is hot. Take care when removing paper from the machine.

- 1 Open the right door.



- 2 Remove the jammed paper by gently pulling it straight out.

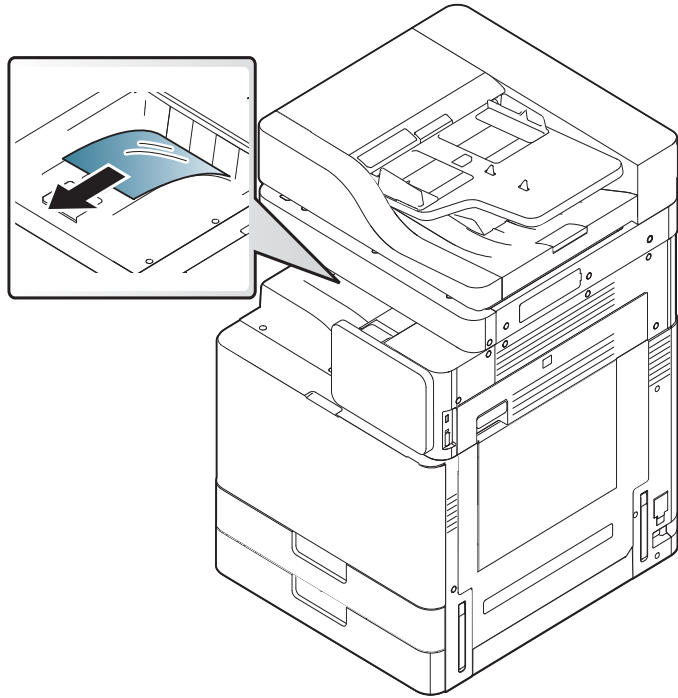


- 3 Close the right door.

Clearing paper jams

Paper jam in exit area (Jam Exit Face down)

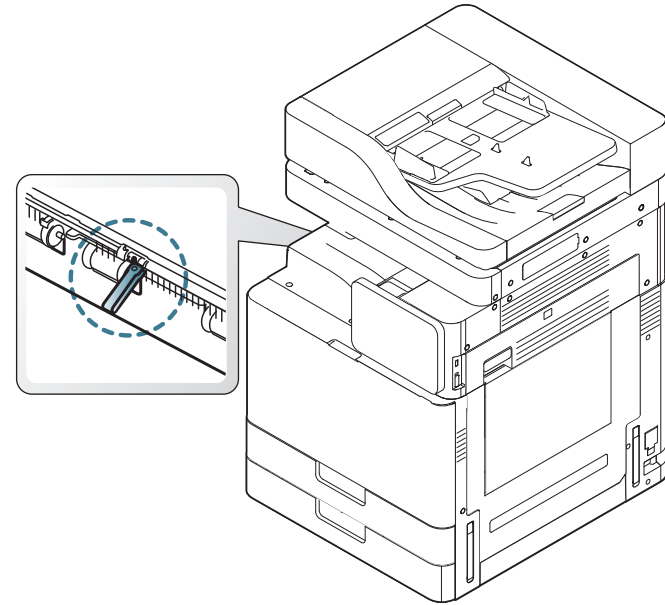
- 1 Gently pull the paper out of the output tray.



- 2 Open and close the front door. Printing automatically resumes.



If this paper jam persists, make sure the bin full sensor is unfolded. The bin full sensor is located in front of the output tray.



Understanding display messages

Messages appear on the display screen to indicate the machine's status or errors. Some error messages are shown with graphics to help you troubleshoot problem. Refer to the tables below to understand the messages and their meaning, and correct the problem, if necessary. Messages and their explanations are listed in alphabetical order.



- If a message is not in the table, reboot the power and try the printing job again. If the problem persists, call for service.
- When you call for service, provide the service representative with the contents of display message.
- Some messages may not appear in the display depending on options or models.
- [color] indicates the color of toner or imaging unit.
- [tray number] indicates the tray number.
- [media type] indicates the media type.
- [media size] indicates the paper size.
- [error number] indicates the error number.

Message	Meaning	Suggested solutions
Check whether the pieces of paper remain in the paper path	There is a problem in the paper path.	Remove the pieces of paper remain in the paper path. If the problem persists, call for service.

Message	Meaning	Suggested solutions
Did not supply enough toner. Remove seal tape of toner cartridge or shake it. Call for service if the problem persists	The machine cannot detect a toner cartridge. Or not removed seal tape of toner cartridge.	Remove the sealing tape from the toner cartridge. Refer to Quick Install Guide.
Door is open. Close it	The door is not securely latched.	Close the door until it locks into place.
End of life, Replace with new imaging unit	The indicated imaging unit has reached its estimated imaging unit life ^a .	Replace the imaging unit with a Samsung-genuine imaging unit (see "Replacing the imaging unit" on page 228).
End of life, Replace with new toner cartridge	The indicated toner cartridge has reached its estimated cartridge life ^a .	Replace the toner cartridge with a Samsunggenuine toner cartridge ^b (see "Replacing the toner cartridge" on page 225).
Engine System Failure [error number]:Turn off then on	There is a problem in the engine system.	Turn the machine off and back on again. If the problem persists, call for service.

Understanding display messages

Message	Meaning	Suggested solutions
Fuser Unit Failure [error number]:Turn off then on	There is a problem in the fuser unit.	Turn the machine off and back on again. If the problem persists, call for service.
Fuser Failure [error number]:Turn off then on. Call for service if the problem persists.		
[HCF number] cassette is pulled out. Insert it properly	The HCF is not securely latched.	Close the HCF until it locks into place.
HCF [number] door is open. Close it	The HCF door is not securely latched.	Close the HCF door until it locks into place.
[HCF number] is not installed. Install the tray	The HCF is not properly installed.	Reinstall the HCF. If the problem persists, call for service.
HDD System Failure [error number]:Turn off then on. Call for service if the problem persists	There is a problem in the hard disk.	Turn the machine off and back on again. If the problem persists, call for service.
HDD System Failure [error number]: Call for service		
HDD Error [Error number]. Check users guide		

Message	Meaning	Suggested solutions
Imaging Unit Failure: [error number]. Install imaging unit again	The imaging unit is not installed.	Install the imaging unit. If it is already installed, try to reinstall the imaging unit. If the problem persists, call for service.
Imaging unit Failure: [error number]. Call for service	There is a problem in the imaging unit.	Turn the machine off and back on again. If the problem persists, call for service.
Imaging unit Failure: [error number]. Please turn off then on	There is a problem in the imaging unit.	Turn the machine off and back on again. If the problem persists, call for service.
Imaging unit is not compatible. Check users guide	The imaging unit you have installed is not for your machine.	Install a Samsung-genuine imaging unit, designed for your machine (see "Available consumables" on page 210).
Imaging unit is not installed. Install the unit	The imaging unit is not installed or the imaging unit is not properly installed.	Install the imaging unit. If it is already installed, try to reinstall the imaging unit. If the problem persists, call for service.

Understanding display messages

Message	Meaning	Suggested solutions
Install toner cartridge	The toner cartridge is not installed or the toner cartridge is not properly installed.	Install the toner cartridge. If it is already installed, try to reinstall the toner cartridge. If the problem persists, call for service.
Input System Failure [error number]:Check [HCF number] connection	There is a problem in the HCF	Open and close the HCF. If the problem persists, call for service.
Input System Failure [error number]:Check [tray number] connection	There is a problem in the tray	Open and close the tray. If the problem persists, call for service.
Input System Failure [error number]:Pull [HCF number] out and insert it	There is a problem in the HCF.	Open and close the HCF. If the problem persists, call for service.
Input System Failure [error number]:Pull [tray number] out and insert it	There is a problem in the tray.	Open and close the tray. If the problem persists, call for service.
Lamp Failure: [error number]. Open the door, then close it. Call for service if the problem persists	There is a problem in the lamp.	Open the door, then close it. If the problem persists, call for service.

Message	Meaning	Suggested solutions
LSU Failure: [error number]. Turn off then on. Call for service if the problem persists	There is a problem in the LSU.	Turn the machine off and back on again. If the problem persists, call for service.
Motor Failure: [error number]. Turn off then on. Call for service if the problem persists	There is a problem in the motor system.	Turn the machine off and back on again. If the problem persists, call for service.
MSOK Failure [error number]. Call for service and Change MSOK	There is a problem in the engine system.	Turn the machine off and back on again. If the problem persists, call for service.
MSOK Failure [error number]. Call for service	There is a problem in the engine system.	Turn the machine off and back on again. If the problem persists, call for service.
Network cable is disconnected. Check it	The machine is not connected with a network cable.	Connect the machine to the network with a network cable.
Original paper jam in the exit area of scanner	The originals are jammed in Dual scan document feeder.	Clear the jam.

Understanding display messages

Message	Meaning	Suggested solutions
Original paper jam inside the scanner	The originals are jammed in Dual scan document feeder.	Clear the jam (see "Original paper jam inside of scanner" on page 234 or).
Paper in all output bins is full. Remove printed paper	The output tray is full.	Remove papers from the output tray, the machine resumes printing.
Paper in output bin is full. Remove printed paper	The output tray is full.	Remove papers from the output tray, the machine resumes printing.
Paper is empty in [HCF number]. Load paper	There is no paper in the HCF.	Load paper in the HCF.
Paper is empty in [tray number]. Load paper	There is no paper in the tray.	Load paper in the tray.
Paper is low in [HCF number]. Load paper	Running out of paper in the HCF.	Load paper in the HCF.
Paper is low in [tray number]. Load paper	Running out of paper in the tray.	Load paper in the tray.
Paper Jam at the bottom of duplex path	Paper has jammed during duplex printing.	Clear the jam (see "Paper jam bottom of duplex path (Jam Duplex Regi.))" on page 248).

Message	Meaning	Suggested solutions
Paper Jam at the top of duplex path	Paper has jammed during duplex printing.	Clear the jam (see "Paper jam at the top of duplex path (Jam Duplex Return, Jam Duplex 1)" on page 246).
Paper Jam in exit area	Paper has jammed in the exit area.	Clear the jam (see "Paper jam in exit area (Jam Exit Face down)" on page 249 .)
Paper Jam inside of machine	Paper has jammed inside of the machine.	Clear the jam (see "Paper jam inside the machine (Jam feed 1, Jam feed 2)" on page 242 or "Paper jam inside the machine (Jam feed 3, Jam feed 4)" on page 243.
Paper Jam in HCF [tray number]	Paper has jammed in the feeding area of the HCF.	Clear the jam (see "Paper jam in tray 3, 4" on page 239).

Understanding display messages

Message	Meaning	Suggested solutions
Paper jam in tray 1	Paper has jammed in the feeding area of the tray.	Clear the jam (see "Paper jam in tray 1, 2" on page 237).
Paper jam in Tray 2		Clear the jam (see "Paper jam in tray 1, 2" on page 237).
Paper jam in Tray 3		Clear the jam (see "Paper jam in tray 3, 4" on page 239).
Paper jam in Tray 4		Clear the jam.
Paper jam in [tray number] or tray door is open	Paper has jammed in the feeding area of the tray or tray door is open.	Clear the jam (see "Paper jam in tray 1, 2" on page 237) or close the tray.
Paper jam in MP tray	Paper has jammed in the feeding area of the tray.	Clear the jam.
PPM data is incorrect. Call for service & change MSOK	There is a problem in the ppm data.	Turn the machine off and back on again. If the problem persists, call for service.

Message	Meaning	Suggested solutions
Prepare new imaging unit	The estimated life ^a of the imaging unit is close.	Prepare a new imaging unit for a replacement (see "Replacing the imaging unit" on page 228).
Prepare new toner cartridge	The estimated cartridge life ^a of toner is close.	Prepare a new cartridge for a replacement. You may temporarily increase the printing quality by redistributing the toner (see "Redistributing toner" on page 223).
Replace with new toner cartridge	The indicated toner cartridge has almost reached its estimated cartridge life ^a .	Replace the toner cartridge for the best print quality when this message appears. Using a cartridge beyond this stage can result in printing quality issues (see "Replacing the toner cartridge" on page 225). If the machine stops printing, replace the toner cartridge (see "Replacing the toner cartridge" on page 225).

Understanding display messages

Message	Meaning	Suggested solutions
Replace with new imaging unit	The indicated imaging unit has almost reached its estimated imaging unit life ^a .	Replace the imaging unit for the best print quality when this message appears. Using a imaging unit beyond this stage can result in printing quality issues (see "Replacing the imaging unit" on page 228).
Replace with new fuser unit	The life of the fuser unit expires totally.	Replace the fuser unit with a Samsung-genuine fuser unit, call for service.
Replace with new Transfer roller	The life of the transfer roller expires totally.	Replace the transfer roller with a Samsung-genuine transfer roller, call for service.
Replace with new [tray number] pickup roller	The life of the tray pickup roller expires totally.	Replace the tray pickup roller with a Samsung-genuine pickup roller, call for service.
Scanner locked or another problem occurred	The CCD (Charged Couple Device) lock has been locked.	Unlock the CCD lock . Or turn the machine off and back on again. If the problem persists, call for service.

Message	Meaning	Suggested solutions
Scan System Failure [error number]:Turn off then on	There is a problem in the scan system.	Turn the machine off and back on again. If the problem persists, call for service.
Sensor Failure: [error number]. Turn off then on. Call for service if the problem persists	There is a problem in the sensor system.	Turn the machine off and back on again. If the problem persists, call for service.
Shake [color] toner cartridge	Small amount of toner is left in the indicated cartridge.	<ul style="list-style-type: none"> You may temporarily increase the printing quality by redistributing the toner (see "Redistributing toner" on page 223). If the problem persists, call for service.
The clock became initial time. Set a time again	The time setting of machine is initialized.	Set the time setting in Machine Setup .
The IPv4 address assigned to wireless LAN conflicts with that of other system. Check it	The IPv4 address is used elsewhere(wireless LAN).	Check the IPv4 address or obtain a new IP address.
The IPv6 address assigned to wireless LAN conflicts with that of other system. Check it	The IPv6 address is used elsewhere(wireless LAN).	Check the IPv6 address or obtain a new IP address.

Understanding display messages

Message	Meaning	Suggested solutions
The room temperature is not suitable for this set use. Please adjust room temperature	The machine is in a room with improper room temperature.	Please adjust room temperature (see "Adjustment" on page 315).
This IP address conflicts with that of other system. Check it	The IP address is used elsewhere.	Check the IP address or obtain a new IP address.
Toner Cartridge Failure: [error number]. Call for service	There is a problem in the toner cartridge.	Turn the machine off and back on again. If the problem persists, call for service.
Toner cartridge is not compatible. Check users guide	The imaging unit you have installed is not for your machine.	Install a Samsung-genuine imaging unit, designed for your machine (see "Available consumables" on page 210).
TR Failure: [error number]. Install transfer roller again	The transfer roller is not installed.	Install the transfer roller. If it is already installed, try to reinstall the transfer roller. If the problem persists, call for service.
Tray failure [error number]. Check Tray connection	The tray is not securely connected.	Reinstall the tray. If the problem persists, call for service.

Message	Meaning	Suggested solutions
Tray failure [error number]. Pull [tray number] out and insert it. Call for service if the problem persists	The tray is not securely connected.	Reinstall the tray. If the problem persists, call for service.
[tray number] is not installed. Install the tray	The tray is not properly installed.	Reinstall the tray. If the problem persists, call for service.
[tray number] cassette is pulled out. Insert it properly	The tray is not securely latched.	Close the tray until it locks into place.
[tray number] door is open. Close it	The tray door is not securely latched.	Close the tray door until it locks into place.
UI System Failure: [error number]. Call for service	There is a problem in the UI system.	Turn the machine off and back on again. If the problem persists, call for service.
802.1x authentication failed. Please Contact the System Administrator	Fail to authenticate.	Check the network authentication protocol. If the problem persists, call for service.

a. Estimated cartridge life means the expected or estimated cartridge, which indicates the average capacity of print-outs and is designed pursuant to ISO/IEC 19752. The number of pages may be affected by the percentage of image area, operating environment, printing interval, media type and media size.

Understanding display messages

- b. When the toner cartridge has reached its end of life, the machine will stop printing. In this case, you can choose to stop or continue printing from the SyncThru™ Web Service. (**Settings > Machine Settings > System > Setup > Supplies Management > Toner Cartridge Stop**) or Samsung Easy Printer Manager (**Device Settings > System > Supplies Management > Toner Cartridge Stop**). Turning off this option and continuing to print may damage the device's system.

Power and cable connecting problems

Condition	Suggested solutions
The machine is not receiving power, or the connection cable between the computer and the machine is not connected properly.	<ul style="list-style-type: none">• Plug in the power cord and turn on the power switch (see "Turning on the machine" on page 24).• Disconnect the machine cable and reconnect it (see "Connecting a network cable" on page 23).

Solving other problems

The following chart lists some trouble conditions that may occur and the recommended solutions. Follow the suggested solutions until the problem is corrected. If the problem persists, contact a service representative.

Other problems include:

- See "Display screen problem" on page 259.
- See "Paper feeding problems" on page 259.
- See "Printing problems" on page 260.
- See "Printing quality problems" on page 263.
- See "Copying problems" on page 268.
- See "Scanning problems" on page 269.
- See "Fax problems (optional)" on page 270.
- See "Operating system problems" on page 271.

Display screen problem

Condition	Suggested solutions
The display screen does not show anything.	<ul style="list-style-type: none">• Adjusts the brightness of the display screen.• Turn the machine off and back on again. If the problem persists, call for service.

Paper feeding problems

Condition	Suggested solutions
Paper jams during printing.	Clear the paper jam (see "Clearing paper jams" on page 232).
Paper sticks together.	<ul style="list-style-type: none">• Check the maximum paper capacity of the tray (see "Print media specifications" on page 278).• Make sure that you are using the correct type of paper (see "Print media specifications" on page 278).• Remove paper from the tray and flex or fan the paper.• Humid conditions may cause some paper to stick together. Try a fresh ream of paper.
Multiple sheets of paper do not feed.	<ul style="list-style-type: none">• Different types of paper may be stacked in the tray. Load paper of only one type, size, and weight.• If multiple sheets have caused a paper jam, clear the paper jam (see "Clearing paper jams" on page 232).

Solving other problems

Condition	Suggested solutions
Paper does not feed into the machine.	<ul style="list-style-type: none"> Remove any obstructions from inside the machine. Paper has not been loaded correctly. Remove paper from the tray and reload it correctly. There is too much paper in the tray. Remove excess paper from the tray. The paper is too thick. Use only paper that meets the specifications required by the machine (see "Print media specifications" on page 278). If an original does not feed into the machine, the DSDF rubber pad may require to be replaced. Contact a service representative.
The paper keeps jamming.	<ul style="list-style-type: none"> There is too much paper in the tray. Remove excess paper from the tray. If you are printing on special materials, use the multi-purpose tray. An incorrect type of paper is being used. Use only paper that meets the specifications required by the machine (see "Print media specifications" on page 278). There may be debris inside the machine. Open the front door and remove any debris. If an original does not feed into the machine, the DSDF rubber pad may need to be replaced. Contact a service representative.
Envelopes skew or fail to feed correctly.	Ensure that the paper guides are against both sides of the envelopes.

Printing problems

Condition	Possible cause	Suggested solutions
The machine does not print.	The machine is not receiving power.	Check the power cord connections. Check the power switch and the power source.
	The machine is not selected as the default machine.	Select your machine as your default machine in your Windows.
Check the machine for the following:		
<ul style="list-style-type: none"> The front door is not closed. Close the front door. Paper is jammed. Clear the paper jam (see "Clearing paper jams" on page 232). No paper is loaded. Load paper (see "Loading paper in the tray" on page 52). The toner cartridge or the imaging unit is not installed. Install the toner cartridge or imaging unit. 		
If a system error occurs, contact your service representative.		
	The connection cable between the computer and the machine is not connected properly.	Disconnect the machine cable and reconnect it.
	The connection cable between the computer and the machine is defective.	If possible, attach the cable to another computer that is working properly and print a job. You can also try using a different machine cable.


Solving other problems

Condition	Possible cause	Suggested solutions
The machine does not print.	The port setting is incorrect.	Check the Windows printer setting to make sure that the print job is sent to the correct port. If the computer has more than one port, make sure that the machine is attached to the correct one.
	The machine may be configured incorrectly.	Check the Printing Preferences to ensure that all of the print settings are correct (see "Opening printing preferences" on page 73).
	The printer driver may be incorrectly installed.	Repair the machine software.
	The machine is malfunctioning.	Check the display message on the control panel to see if the machine is indicating a system error. Contact a service representative.
	The document size is so big that the hard disk space of the computer is insufficient to access the print job.	If printing GUI, make more hard disk space available for your print job and try printing the document again.
The machine selects print materials from the wrong paper source.	The paper option that was selected in the Printing Preferences may be incorrect.	For many software applications, the paper source selection is found under the Paper tab within the Printing Preferences . Select the correct paper source. See the printer driver help screen (see "Opening printing preferences" on page 73).

Condition	Possible cause	Suggested solutions
A print job is extremely slow.	The job may be very complex.	Reduce the complexity of the page or try adjusting the print quality settings.
Half the page is blank.	The page orientation setting may be incorrect.	Change the page orientation in your application. See the printer driver help screen.
	The paper size and the paper size settings do not match.	Ensure that the paper size in the printer driver settings matches the paper in the tray. Or, ensure that the paper size in the printer driver settings matches the paper selection in the software application settings you use.

Solving other problems

Condition	Possible cause	Suggested solutions
The machine prints, but the text is wrong, garbled, or incomplete.	The machine cable is loose or defective.	Disconnect the machine cable and reconnect. Try a print job that you have already printed successfully. If possible, attach the cable and the machine to another computer that you know works and try a print job. Finally, try a new machine cable.
	The wrong printer driver was selected.	Check the application's printer selection menu to ensure that your machine is selected.
	The software application is malfunctioning.	Try printing a job from another application.
	The operating system is malfunctioning.	Exit Windows and reboot the computer. Turn the machine off and back on again.
	If you are in a DOS environment, the font setting for your machine may be set incorrectly.	Change the language setting.
Pages print, but they are blank.	The toner cartridge is defective or out of toner.	Redistribute the toner, if necessary. If necessary, replace the toner cartridge.
	The file may have blank pages.	Check the file to ensure that it does not contain blank pages.
	Some parts, such as the controller or the board, may be defective.	Contact a service representative.

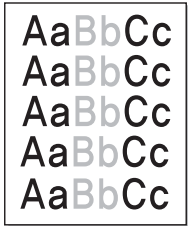
Condition	Possible cause	Suggested solutions
The machine does not print PDF file correctly. Some parts of graphics, text, or illustrations are missing.	Incompatibility between the PDF file and the Acrobat products.	Printing the PDF file as an image may enable the file to print. Turn on Print As Image from the Acrobat printing options.  It will take longer to print when you print a PDF file as an image.
	If the PDF file do not include the font or do have the object which is set on Interactive mode.	Try printing a job from Printer Driver.
The print quality of photos is not good. Images are not clear.	The resolution of the photo is very low.	Reduce the photo size. If you increase the photo size in the software application, the resolution will be reduced.
Before printing, the machine emits vapor near the output tray.	Using damp paper can cause vapor during printing.	This is not a problem. Just keep printing. Try a fresh ream of paper.
The machine does not print special- sized paper, such as billing paper.	Paper size and paper size setting do not match.	Set the correct paper size in the Custom Paper List in the Paper tab in the Printing Preferences (see "Paper Options" on page 75).

Solving other problems

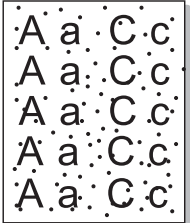
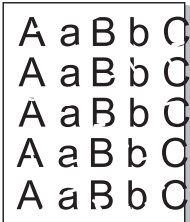
Condition	Possible cause	Suggested solutions
Your machine has an odd smell during initial use.	The oil used to protect the fuser is evaporating.	After printing about 100 color pages, there will be no more smell. It is a temporary issue.

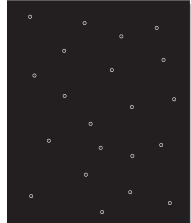
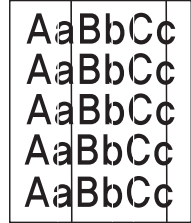
Printing quality problems

If the inside of the machine is dirty or paper has been loaded improperly, there might be a reduction in print quality. See the table below to clear the problem.

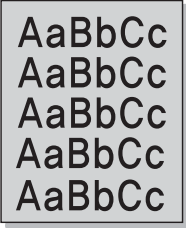
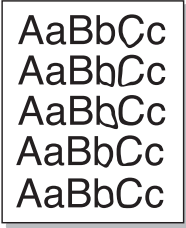
Condition	Suggested Solutions
Light or faded print 	<ul style="list-style-type: none">• If a vertical white streak or faded area appears on the page, the toner supply is low. You may be able to temporarily extend the toner cartridge life. If this does not improve the print quality, install a new toner cartridge.• The color tone might not be adjusted. Adjust the color tone.• The paper may not meet paper specifications; for example, the paper may be too moist or rough (see "Print media specifications" on page 278).• If the entire page is light, the print resolution setting is too low or the toner save mode is on. Adjust the print resolution and turn the toner save mode off. See the help screen of the printer driver.• A combination of faded or smeared defects may indicate that the toner cartridge needs cleaning. Contact a service representative.• The surface of the LSU part inside the machine may be dirty. Clean the LSU, contact a service representative.

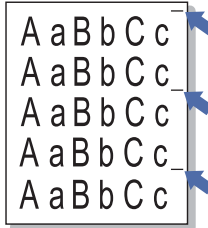
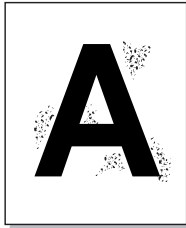
Solving other problems

Condition	Suggested Solutions
Toner specks 	<ul style="list-style-type: none"> The paper may not meet specifications; for example, the paper may be too moist or rough (see "Print media specifications" on page 278). The transfer roller may be dirty. Clean the inside of your machine. Contact a service representative. The paper path may need cleaning. Contact a service representative. Check the location of the machine. If the area is not well-ventilated, this problem may occur.
Dropouts 	<p>If faded areas, generally rounded, occur randomly on the page:</p> <ul style="list-style-type: none"> A single sheet of paper may be defective. Try reprinting the job. The moisture content of the paper is uneven or the paper has moist spots on its surface. Try a different brand of paper (see "Print media specifications" on page 278). The paper lot is bad. The manufacturing processes can cause some areas to reject toner. Try a different kind or brand of paper. Change the printer option and try again. Go to Printing Preferences, click Paper tab, and set type to thick paper (see "Opening printing preferences" on page 73). If these steps do not correct the problem, contact a service representative.

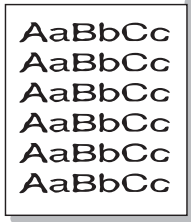
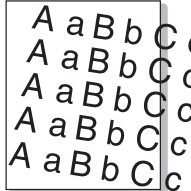
Condition	Suggested Solutions
White Spots 	<p>If white spots appear on the page:</p> <ul style="list-style-type: none"> The paper is too rough and a lot of dirt from a paper falls to the inner devices within the machine, so the transfer roller may be dirty. Clean the inside of your machine. Cleaning the inside or contact a service representative. The paper path may need cleaning. Cleaning the inside or contact a service representative.
Vertical lines 	<p>If black vertical streaks appear on the page:</p> <ul style="list-style-type: none"> The drum inside the printer has probably been scratched. Remove the imaging unit and install a new one. Contact a service representative. <p>If white vertical streaks appear on the page:</p> <ul style="list-style-type: none"> The surface of the LSU part inside the machine may be dirty. Cleaning the inside or contact a service representative. <p>If vertical streaks appear on the page:</p> <ul style="list-style-type: none"> The surface of the scanner glass and its white sheet may be dirty. Cleaning the inside or contact a service representative.

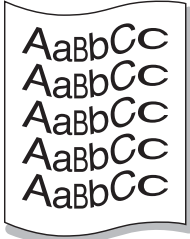
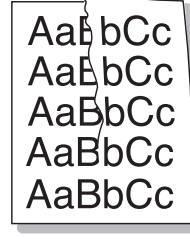
Solving other problems

Condition	Suggested Solutions
<p>Color or Black background</p> 	<p>If the amount of background shading becomes unacceptable:</p> <ul style="list-style-type: none"> • Change the image transfer belt if it has reached its lifespan. Contact a service representative. • Check the environmental conditions: very dry conditions (low humidity) or a high level of humidity (higher than 80% RH) can increase the amount of background shading. • Remove the old toner cartridge and install a new one.
<p>Toner smear</p> 	<p>If toner smears on the page:</p> <ul style="list-style-type: none"> • Clean the inside of the machine. Cleaning the inside or contact a service representative. • Check the paper type and quality (see "Print media specifications" on page 278). • Remove the imaging unit and install a new one. Contact a service representative. • Change the image transfer belt if it has reached its lifespan. Contact a service representative.

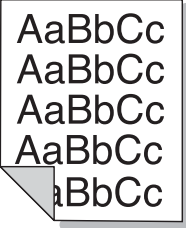

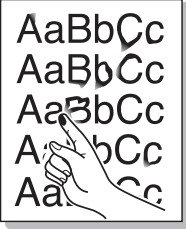
Condition	Suggested Solutions
<p>Vertical repetitive defects</p> 	<p>If marks repeatedly appear on the printed side of the page at even intervals:</p> <ul style="list-style-type: none"> • The imaging unit may be damaged. If a repetitive mark occurs on the page, run a cleaning sheet through several times to clean the imaging unit. Cleaning the inside. If you still have the same problems, remove the imaging unit and install a new one. Contact a service representative. • Parts of the machine may have toner on them. If the defects occur on the back of the page, the problem will likely correct itself after a few more pages. • The fusing assembly may be damaged. Contact a service representative.
<p>Background scatter</p> 	<p>Background scatter results from bits of toner randomly distributed on the printed page.</p> <ul style="list-style-type: none"> • The paper may be too damp. Try printing with a different batch of paper. Do not open packages of paper until necessary so that the paper does not absorb too much moisture. • If background scatter occurs on an envelope, change the printing layout to avoid printing over areas that have overlapping seams on the reverse side. Printing on seams can cause problems. • If background scatter covers the entire surface area of a printed page, adjust the print resolution through your software application or in Printing Preferences (see "Opening printing preferences" on page 73).

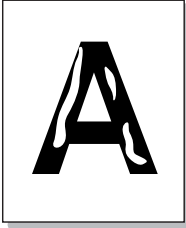
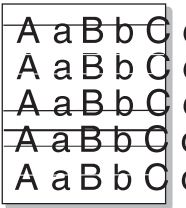
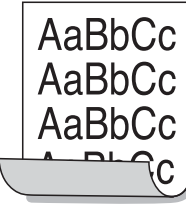
Solving other problems

Condition	Suggested Solutions
<p>Misformed characters</p> 	<ul style="list-style-type: none"> • If characters are improperly formed and producing hollow images, the paper stock may be too slick. Try different paper (see "Print media specifications" on page 278). • If characters are improperly formed and producing a wavy effect, the scanner unit may need service. Cleaning the scan unit or contact a service representative.
<p>Page skew</p> 	<ul style="list-style-type: none"> • Ensure that the paper is loaded properly. • Check the paper type and quality (see "Print media specifications" on page 278). • Ensure that the paper or other material is loaded correctly and the guides are not too tight or too loose against the paper guides. • Ensure that the standard tray right bottom door, dual cassette feeder right bottom door or high capacity feeder right bottom door is securely closed. If the bottom doors are not completely closed, open and close the bottom doors.

Condition	Suggested Solutions
<p>Curl or wave</p> 	<ul style="list-style-type: none"> • Ensure that the paper is loaded properly. • Check the paper type and quality. Both high temperature and humidity can cause paper curl (see "Print media specifications" on page 278). • Turn the stack of paper over in the tray. Also try rotating the paper end for end and placing it back in the tray.
<p>Wrinkles or creases</p> 	<ul style="list-style-type: none"> • Ensure that the paper is loaded properly. • Check the paper type and quality (see "Print media specifications" on page 278). • Also try rotating the paper end for end and placing it back in the tray. • Ensure that the standard tray right bottom door, dual cassette feeder right bottom door or high capacity feeder right bottom door is securely closed. If the bottom doors are not completely closed, open and close the bottom doors.

Solving other problems

Condition	Suggested Solutions
<p>Back of printouts are dirty</p> 	<p>Check for leaking toner. Clean the inside of the machine. Cleaning the inside or contact a service representative.</p>
<p>Solid Color or Black pages</p> 	<ul style="list-style-type: none"> The imaging unit may not be installed properly. Remove the imaging unit and reinsert it. The imaging unit may be defective and need replacing. Remove the imaging unit and install a new one. Contact a service representative. The machine may require repair. Contact a service representative.
<p>Loose toner</p> 	<ul style="list-style-type: none"> Clean the inside of the machine. Cleaning the inside or contact a service representative. Check the paper type and quality (see "Print media specifications" on page 278). Remove the imaging unit and install a new one. Contact a service representative. If the problem persists, the machine may require repair. Contact a service representative.

Condition	Suggested Solutions
<p>Character Voids</p> 	<p>Character voids are white areas within parts of characters that should be solid black:</p> <ul style="list-style-type: none"> You may be printing on the wrong surface of the paper. Remove the paper and turn it around. The paper may not meet paper specifications (see "Print media specifications" on page 278).
<p>Horizontal stripes</p> 	<p>If horizontally aligned black streaks or smears appear:</p> <ul style="list-style-type: none"> The imaging unit may be installed improperly. Remove the imaging unit and reinsert it. The imaging unit may be defective. Remove the imaging unit and install a new one. Contact a service representative. If the problem persists, the machine may require repair. Contact a service representative.
<p>Curl</p> 	<p>If the printed paper is curled or paper does not feed into the machine:</p> <ul style="list-style-type: none"> Also try rotating the paper end for end and placing it back in the tray. Change the printer option and try again. Go to Printing Preferences, click Paper tab, and set type to thin paper (see "Opening printing preferences" on page 73).

Solving other problems

Condition	Suggested Solutions
An unknown image repetitively appears on a few sheets or loose toner, light print, or contamination occurs.	<p>Your machine is probably being used at an altitude of 1,000 m (3,281 ft) or above.</p> <p>The high altitude may affect the print quality, such as loose toner or light imaging. Change the correct altitude setting to your machine.</p>

Copying problems

Condition	Suggested solution
Copies are too light or too dark	Tap Copy from the home screen or Apps . You can adjust the darkness level of a copy if needed for easier reading if the original contains faint markings or dark images (see "Changing Darkness" on page 108).
Smears, lines, marks, or spots appear on copies.	<ul style="list-style-type: none">• If the defects are on the original, tap Copy from the home screen or Apps (see "Changing Darkness" on page 108).• If there are no defects on the original, clean the scan unit. Cleaning the scan unit or contact a service representative.

Condition	Suggested solution
Copy image is skewed.	<ul style="list-style-type: none">• Ensure that the original is face down on the scanner glass or face up in the DSDF.• Check that the copy paper is loaded correctly.• If the problem persists, the machine may require repair. Contact a service representative.
Blank copies print out.	Ensure that the original is face down on the scanner glass or face up in the DSDF.
Image rubs off the copy easily.	<ul style="list-style-type: none">• Replace the paper in the tray with paper from a new package.• In high humidity areas, do not leave paper in the machine for extended periods of time.
Frequent copy paper jams occur.	<ul style="list-style-type: none">• Fan the paper, then turn it over end for end and place it back in the tray. Replace the paper in the tray with a fresh supply. Check/adjust the paper guides, if necessary.• Ensure that the paper is the proper paper weight.• Check for copy paper or pieces of copy paper remaining in the machine after a paper jam has been cleared.
Toner cartridge produces fewer copies than expected before running out of toner.	<ul style="list-style-type: none">• Your originals may contain pictures, solids, or heavy lines. For example, your originals may be forms, newsletters, books, or other documents that use more toner.• The DSDF may be left open while copies are being made.• The machine may be turned on and off frequently.

Solving other problems

Scanning problems

Condition	Suggested solutions
The scanner does not work.	<ul style="list-style-type: none">• Make sure that you place the original to be scanned face down on the scanner glass, or face up in the DADF.• There may not be enough available memory to hold the document you want to scan. Try the Prescan function to see if that works. Try lowering the scan resolution rate.• Check that the machine cable is connected properly.• Make sure that the machine cable is not defective. Switch the cable with a known good cable. If necessary, replace the cable.• Check that the scanner is configured correctly.

Condition	Suggested solutions
The unit scans very slowly.	<ul style="list-style-type: none">• Check if the machine is printing received data. If so, scan the document after the received data has been printed.• Graphics are scanned more slowly than text.• Communication speed slows in scan mode because of the large amount of memory required to analyze and reproduce the scanned image. Set your computer to the ECP printer mode through BIOS setting. It will help to increase the speed. For details about how to set BIOS, refer to your computer user's guide.
Message appears on your computer screen: <ul style="list-style-type: none">• Device can't be set to the H/W mode you want.• Port is being used by another program.• Port is Disabled.• Scanner is busy receiving or printing data. When the current job is completed, try again.• Invalid handle.• Scanning has failed.	<ul style="list-style-type: none">• There may be a copying or printing job in progress. Try your job again when that job is finished.• The selected port is currently being used. Restart your computer and try again.• The machine cable may be improperly connected or the power may be off.• The scanner driver is not installed or the operating environment is not set up properly.• Ensure that the machine is properly connected and the power is on, then restart your computer.• The USB cable may be improperly connected or the power may be off.

Solving other problems

Fax problems (optional)

Condition	Suggested solutions
The machine is not working, there is no display, or the buttons are not working.	<ul style="list-style-type: none">• Unplug the power cord and plug it in again.• Ensure that there is power being supplied to the electrical outlet.
No dial tone sounds.	<ul style="list-style-type: none">• Check that the phone line is properly connected.• Check that the phone socket on the wall is working by plugging in another phone.• Find the optimal line for communication (see "General fax settings" on page 161).
The numbers stored in memory do not dial correctly.	Make sure that the numbers are stored in memory correctly.
The original does not feed into the machine.	<ul style="list-style-type: none">• Make sure that the paper is not wrinkled and you are inserting it in correctly. Check that the original is the right size, not too thick or thin.• Make sure that the DSDF is firmly closed.• The DSDF rubber pad may need to be replaced. Contact a service representative.

Condition	Suggested solutions
Faxes are not received automatically.	<ul style="list-style-type: none">• The receiving mode should be set to fax.• Make sure that there is paper in the tray.• Check to see if the display shows any error message. If it does, clear the problem• Find the optimal line for communication. To check that, see Smart Fax Diagnostics menu (see "General fax settings" on page 161).
The machine does not send.	<ul style="list-style-type: none">• Make sure that the original is loaded in the DSDF or on the scanner glass.• Check the recipient's fax machine (if it has a problem).• Find the optimal line for communication. To check that, see Smart Fax Diagnostics menu (see "General fax settings" on page 161).
The incoming fax has blank spaces or is of poor-quality.	<ul style="list-style-type: none">• The fax machine sending you the fax may be faulty.• A noisy phone line can cause line errors.• Check your machine by making a copy.• The toner cartridge may be empty. Replace the toner cartridge.• Find the optimal line for communication. To check that, see Smart Fax Diagnostics menu (see "General fax settings" on page 161).

Solving other problems

Condition	Suggested solutions
Some of the words on an incoming fax are stretched.	The fax machine sending the fax had a temporary document jam.
There are lines on the originals you sent.	Check your scan unit for marks and clean it. Cleaning the scan unit.
The machine dials a number, but the connection with the other fax machine fails.	The other fax machine may be turned off, out of paper, or cannot answer incoming calls. Speak with the other machine operator and ask her/him to solve out the problem.
Faxes do not store in memory.	There may not be enough memory space to store the fax. If the display indicating the memory status shows, delete any faxes you no longer need from the memory, and then try to store the fax again.
Blank areas appear at the bottom of each page or on other pages, with a small strip of text at the top	You may have chosen the wrong paper settings in the user option setting.

Operating system problems

Common Windows problems

Condition	Suggested solutions
“File in Use” message appears during installation.	Exit all software applications. Remove all software from the startup group, then restart Windows. Reinstall the printer driver.
“General Protection Fault”, “Exception OE”, “Spool 32”, or “Illegal Operation” messages appear.	Close all other applications, reboot Windows and try printing again.
“Fail To Print”, “A printer timeout error occurred” message appear.	These messages may appear during printing. Just keep waiting until the machine finishes printing. If the message appears in ready mode or after printing has completed, check the connection and/or whether an error has occurred.
Samsung Printer Experience is not shown when you click more settings.	Samsung Printer Experience is not installed. Download the app from the Windows Store and install it.


Solving other problems

Condition	Suggested solutions
Machine information is not displayed when you click the device in the Devices and Printers.	<p>Check the Printer properties. Click the Ports tab.</p> <p>(Control Panel > Devices and Printers > Right-click on your printer icon and select Printer properties)</p> <p>If the port is set to File or LPT, uncheck them and select TCP/IP, USB, or WSD.</p>



Refer to the Microsoft Windows User's Guide that came with your computer for further information on Windows error messages.

Common Mac problems

Condition	Suggested solutions
The machine does not print PDF files correctly. Some parts of graphics, text, or illustrations are missing.	<p>Printing the PDF file as an image may enable the file to print. Turn on Print As Image from the Acrobat printing options.</p> <div> It will take longer to print when you print a PDF file as an image.</div>
Some letters are not displayed normally during cover page printing.	<p>Mac OS cannot create the font while printing the cover page. The English alphabet and numbers are displayed normally on the cover page.</p>
When printing a document in Mac with Acrobat Reader 6.0 or higher, colors print incorrectly.	<p>Make sure that the resolution setting in your machine driver matches the one in Acrobat Reader.</p>



Refer to the Mac User's Guide that came with your computer for further information on Mac error messages.

Solving other problems

Common Linux problems

Condition	Suggested solutions
There is no xsane nor simple-scan application on my Linux machine.	For some Linux distributions, there might be no default scan application. To use scan features, install one of scan applications using download center supplied by the OS(ex. Ubuntu Software Center for Ubuntu, Install/Remove Software for openSUSE, Software for Fedora).
Scanner can not be found via network.	For some Linux distributions, strong firewall is enabled and it may block our installer from opening the necessary port for searching network devices. In such a case, open the snmp port - 22161 manually or disable the firewall temporarily while using the device.
When printing more than one copy, the second copy does not print.	The problem occurs on Ubuntu 12.04 due to the problem in standard CUPS filter 'pdftops'. Update 'cups-filters' package to version 1.0.18 to fix the problem ('pdftops' is a part of 'cups-filters' package).
Unchecking the collate option in the Print Dialog does not work.	For some distributions, GNOME Print Dialog has an issue handling the collate option. As workaround, set the default value of collate option to False using the system's printing utility(execute "system-config-printer" in the Terminal program).

Condition	Suggested solutions
Printing always works with duplex.	This duplex issue was in Ubuntu 9.10 CUPS package. Update CUPS version to 1.4.1-5ubuntu2.2.
Printer is not added through system's printing utility.	The problem occurs on Debian 7 due to the defect in 'system-config-printer' package of the Debian 7 (http://bugs.debian.org/cgi-bin/bugreport.cgi?bug=662813 in Debian bug tracking system). Please use another way to add printer (CUPS WebUI for example)
Paper size and orientation are disabled in the Print Dialog when opening text files.	The problem occurs on Fedora 19 and it's related to 'leafpad' text editor on Fedora 19. Please use other text editors like 'gedit'.



Refer to the Linux User's Guide that came with your computer for further information on Linux error messages.

Solving other problems

Common PostScript problems

The following situations are PS language specific and may occur when several printer languages are used.

Problem	Possible cause	Suggested solutions
The PostScript file cannot be printed	The PostScript driver may not be installed correctly.	<ul style="list-style-type: none">• Install the PostScript driver.• Print a configuration page and verify that the PS version is available for printing.• If the problem persists, contact a service representative.
Limit Check Error report prints	The print job was too complex.	You might need to reduce the complexity of the page or install more memory.
A PostScript error page prints	The print job may not be PostScript.	Make sure that the print job is a PostScript job. Check to see whether the software application expected a setup or PostScript header file to be sent to the machine.
The optional tray is not selected in the driver	The printer driver has not been configured to recognize the optional tray.	Open the PostScript driver properties, select the Device Options tab, and set the tray option.

Problem	Possible cause	Suggested solutions
When printing a document in Mac with Acrobat Reader 6.0 or higher, colors print incorrectly	The resolution setting in the printer driver may not be matched with the one in Acrobat Reader.	Make sure that the resolution setting in your printer driver matches the one in Acrobat Reader.



11. Appendix

This chapter provides product specifications and information concerning applicable regulations.

- **Specifications** 276
- **Regulatory information** 289
- **Copyright** 299



Specifications

Hardware specifications

Items		Description		
Dimension^a	Width x Length x Height	585 x 670 x 880 mm (22.3 x 26.4 x 34.7 inches)		
Weight^a	Machine with consumables	K740x/K750x/K760x/K765x series	82 Kg (180.8 lbs)	
		X740x/X750x/X760x series	101 Kg (222.7 lbs)	
Noise Level^{b c}	Ready mode		Less than 30 dB (A)	
	Print mode	Simplex	K740x/K750x series /X740x/X750x series	<ul style="list-style-type: none"> • Tray 1: Less than 54 dB (A) • Multi-purpose tray/Optional trays: Less than 56 dB (A)
			K760x/K765x series /X760x series	<ul style="list-style-type: none"> • Tray 1: Less than 56 dB (A) • Multi-purpose tray/Optional trays: Less than 58 dB (A)
		Duplex	K740x/K750x series /X740x/X750x series	<ul style="list-style-type: none"> • Tray 1: Less than 57 dB (A) • Multi-purpose tray/Optional trays: Less than 59 dB (A)
			K760x/K765x series /X760x series	<ul style="list-style-type: none"> • Tray 1: Less than 59 dB (A) • Multi-purpose tray/Optional trays: Less than 61 dB (A)
	Copy mode	Simplex	K740x/X740x series	<ul style="list-style-type: none"> • Tray 1: Less than 58 dB (A) • Multi-purpose tray/Optional trays: Less than 60 dB (A)
			K750x/K760x/K765x series /X750x/X760x series	<ul style="list-style-type: none"> • Tray 1: Less than 59 dB (A) • Multi-purpose tray/Optional trays: Less than 61 dB (A)
		Duplex	K740x/X740x series	<ul style="list-style-type: none"> • Tray 1: Less than 60 dB (A) • Multi-purpose tray/Optional trays: Less than 62 dB (A)
			K750x/X750x series	<ul style="list-style-type: none"> • Tray 1: Less than 61 dB (A) • Multi-purpose tray/Optional trays: Less than 63 dB (A)
			K760x/K765x/X760x series	<ul style="list-style-type: none"> • Tray 1: Less than 61 dB (A) • Multi-purpose tray/Optional trays: Less than 64 dB (A)
Temperature	Operation	10 to 30 °C (50 to 86 °F)		
	Storage (packed)	-20 to 40 °C (-4 to 104 °F)		

Specifications

	Items	Description
Humidity	Operation	20 to 80% RH
	Storage (packed)	10 to 90% RH
Power rating^d	110 volt models	AC 110 - 127 V
	220 volt models	AC 220 - 240 V
Power consumption^e	Average operating mode	Less than 1,300 W
	Ready mode	Less than 60 W
	Power save mode	Less than 2.0 W
	Power off mode^f	Less than 0 W

a. Dimensions and weight are measured without other accessories.

b. Sound Pressure Level, ISO 7779. Configuration tested: basic machine installation, A4 paper, simplex printing.

c. China only: If the equipment's noise is louder than 63 dB (A), the equipment should be placed in region of relatively independent advice.

d. See the rating label on the machine for the correct voltage (V), frequency (hertz) and of current (A) for your machine.

e. The power consumption may be affected by the machine's status, setting conditions, operating environment, and measuring equipment and method the country uses.

f. Power consumption can be completely avoided only when the power cable is not connected.

Specifications

Print media specifications

Type	Size	Dimensions	Print media weight/Capacity (Simplex) ^a	
			Tray1,2,3,4	Multipurpose tray
Plain paper	Letter	216 x 279 mm (8.5 x 11 inches)	71 to 90 g/m ² (19 to 24 lb bond) • 520 sheets of 80g/m ² (20 lb bond) for each tray	71 to 90 g/m ² (19 to 24 lb bond) • 100 sheets of 80 g/m ² (20 lb bond)
	Legal	216 x 356 mm (8.5 x 14 inches)		
	Executive ^b	184 x 267 mm (7.25 x 10.5 inches)		
	Statement	140 x 216 mm (5.5 x 8.5 inches)		
	A4	210 x 297 mm (8.26 x 11.7 inches)		
	A5 ^b	148 x 210 mm (5.82 x 8.26 inches)		
	B4	257 x 364 mm (10.1 x 14.3 inches)		
	JIS B5 ^b	182 x 257 mm (7.16 x 10.11 inches)		
	ISO B5 ^b	176 x 250 mm (6.93 x 9.84 inches)		
	Folio	216 x 330 mm (8.5 x 13 inches)		
	Oficio	216 x 343 mm (8.5 x 13.5 inches)		
	8K	270 x 390 mm (10.75 x 15.5 inches)		
	16K	195 x 270 mm (7.76 x 10.75 inches)		
	A6	105 x 148 mm (4.13 x 5.85 inches)	Not available in tray2,3,4	
	B6	128 x 182 mm (5.04 x 7.17 inches)		
	A3	297 x 420 mm (11.7 x 16.5 inches)	Not available in tray1	
	SRA3	320 x 450 mm (12.6 x 17.7 inches)		
	Ledger / Tabloid	279 x 432 mm (11 x 17 inches)		
	Tabloid Extra	305 x 457 mm (12 x 18 inches)		

Specifications

Type	Size	Dimensions	Print media weight/Capacity (Simplex) ^a	
			Tray1,2,3,4	Multipurpose tray
Envelope	Letter, A4, A5, JIS B5, ISO B5, B6, Statement	Refer to the Plain paper section	75 to 90 g/m ² (20 to 24 lb bond) • 50 sheets stacking Not available in tray2,3,4	75 to 90 g/m ² (20 to 24 lb bond) • 10 sheets stacking
	Envelope Monarch	98 x 191 mm (3.87 x 7.5 inches)		
	Envelope No. 10	105 x 241 mm (4.12 x 9.5 inches)		
	Envelope No. 9	98 x 225 mm (3.87 x 8.87 inches)		
	Envelope DL	110 x 220 mm (4.33 x 8.66 inches)		
	Envelope C5	162 x 229 mm (6.37 x 9.01 inches)		
	Envelope C6	114 x 162 mm (4.48 x 6.38 inches)		
	Envelope C4	229 x 324 mm (9.01 x 12.75 inches)		
Thick Envelope	Letter, A4, A5, JIS B5, ISO B5, B6, Statement	Refer to the Plain paper section	91 to 120 g/m ² (24 to 32 lb bond) • 30 sheets stacking Not available in tray2,3,4	91 to 120 g/m ² (24 to 32 lb bond) • 10 sheets stacking
	Envelope Monarch	98 x 191 mm (3.87 x 7.5 inches)		
	Envelope No. 10	105 x 241 mm (4.12 x 9.5 inches)		
	Envelope No. 9	98 x 225 mm (3.87 x 8.87 inches)		
	Envelope DL	110 x 220 mm (4.33 x 8.66 inches)		
	Envelope C5	162 x 229 mm (6.37 x 9.01 inches)		
	Envelope C6	114 x 162 mm (4.48 x 6.38 inches)		
	Envelope C4	229 x 324 mm (9.01 x 12.75 inches)		
Thick paper	Refer to the Plain paper section	Refer to the Plain paper section	91 to 105 g/m ² (25 to 28 lb bond) • 400 sheets for each tray	91 to 105 g/m ² (25 to 28 lb bond) • 50 sheets stacking
Heavy weight paper	Refer to the Plain paper section	Refer to the Plain paper section	106 to 176 g/m ² (29 to 47 lb bond) • 250 sheets stacking	106 to 176 g/m ² (29 to 47 lb bond) • 20 sheets stacking
	PostCard 4x6	102 x 152 mm (4.00 x 8.00inches)	Not available in tray1,2,3,4	

Specifications

Type	Size	Dimensions	Print media weight/Capacity (Simplex) ^a	
			Tray1,2,3,4	Multipurpose tray
Extra Heavy weight 1	Refer to the Plain paper section	Refer to the Plain paper section	176 to 216 g/m ² (47 to 58 lb bond) • 250 sheets stacking	176 to 216 g/m ² (47 to 58 lb bond) • 10 sheets stacking
	PostCard 4x6	102 x 152 mm (4.00 x 8.00inches)	Not available in tray1,2,3,4	
Extra Heavy weight 2	Refer to the Plain paper section	Refer to the Plain paper section	217 to 256 g/m ² (58 to 68 lb bond) • 100 sheets stacking	217 to 256 g/m ² (58 to 68 lb bond) • 10 sheets stacking
Extra Heavy weight 3	Refer to the Plain paper section	Refer to the Plain paper section	257 to 300 g/m ² (69 to 80 lb bond) • 100 sheets stacking	257 to 300 g/m ² (69 to 80 lb bond) • 10 sheets stacking
Extra Heavy weight 4	Refer to the Plain paper section	Refer to the Plain paper section	Not available in tray1,2,3,4	301 to 325 g/m ² (80 to 87 lb bond) • 10 sheets stacking
Thin paper	Refer to the Plain paper section	Refer to the Plain paper section	60 to 70 g/m ² (16 to 18 lb bond) • 520 sheets stacking	60 to 70 g/m ² (16 to 18 lb bond) • 100 sheets stacking
Cotton	Refer to the Plain paper section	Refer to the Plain paper section	75 to 90 g/m ² (20 to 24 lb bond) • 400 sheets stacking	75 to 90 g/m ² (20 to 24 lb bond) • 50 sheets stacking
Colored / Pre-Printed	Refer to the Plain paper section	Refer to the Plain paper section	75 to 90 g/m ² (20 to 24 lb bond) • 400 sheets stacking	75 to 90 g/m ² (20 to 24 lb bond) • 50 sheets stacking
Recycled	Refer to the Plain paper section	Refer to the Plain paper section	60 to 90 g/m ² (16 to 24 lb bond) • 400 sheets stacking	60 to 90 g/m ² (16 to 24 lb bond) • 50 sheets stacking
Bond	Refer to the Plain paper section	Refer to the Plain paper section	105 to 120g/m ² (28 to 32 lb bond) • 350 sheets stacking	105 to 120g/m ² (28 to 32 lb bond) • 20 sheets stacking

Specifications

Type	Size	Dimensions	Print media weight/Capacity (Simplex) ^a	
			Tray1,2,3,4	Multipurpose tray
Archive	Refer to the Plain paper section	Refer to the Plain paper section	71 to 90 g/m ² (19 to 24 lb bond) • 350 sheets of 80 g/m ² (20 lb bond)	71 to 90 g/m ² (19 to 24 lb bond) • 20 sheets of 80 g/m ² (20 lb bond)
	Envelope Monarch	98 x 191 mm (3.87 x 7.5 inches)	Not available in tray2,3,4	
	Envelope No. 10	105 x 241 mm (4.12 x 9.5 inches)		
	Envelope No. 9	98 x 225 mm (3.87 x 8.87 inches)		
	Envelope DL	110 x 220 mm (4.33 x 8.66 inches)		
	Envelope C5	162 x 229 mm (6.37 x 9.01 inches)		
	Envelope C6	114 x 162 mm (4.48 x 6.38 inches)		
	Envelope C4	229 x 324 mm (9.01 x 12.75 inches)		
Letter Head / Hole Punched	Refer to the Plain paper section	Refer to the Plain paper section	75 to 90 g/m ² (20 to 24 lb bond) • 350 sheets stacking	75 to 90 g/m ² (20 to 24 lb bond) • 20 sheets stacking
Thin cardstock	Refer to the Plain paper section	Refer to the Plain paper section	105 to 163 g/m ² (28 to 43 lb bond) • 350 sheets stacking	105 to 163 g/m ² (28 to 43 lb bond) • 20 sheets stacking
Thick cardstock	Refer to the Plain paper section	Refer to the Plain paper section	170 to 216 g/m ² (45 to 58 lb bond) • 250 sheets stacking	170 to 216 g/m ² (45 to 58 lb bond) • 20 sheets stacking
Heavy cardstock	Refer to the Plain paper section	Refer to the Plain paper section	217 to 256 g/m ² (58 to 68 lb bond) • 100 sheets stacking	217 to 256 g/m ² (58 to 68 lb bond) • 20 sheets stacking
Extra cardstock 1	Refer to the Plain paper section	Refer to the Plain paper section	257 to 300 g/m ² (68 to 80 lb bond) • 100 sheets stacking	257 to 300 g/m ² (68 to 80 lb bond) • 20 sheets stacking
Extra cardstock 2	Refer to the Plain paper section	Refer to the Plain paper section	Not available in tray1,2,3,4	301 to 325 g/m ² (80 to 87 lb bond) • 20 sheets stacking

Specifications

Type	Size	Dimensions	Print media weight/Capacity (Simplex) ^a	
			Tray ^{1,2,3,4}	Multipurpose tray
Thin Glossy^c	A4, Letter, A3, A5 ^b , B4, JIS B5 ^b , ISO B5 ^b , 8K, 16K, Legal, Oficio, Folio, Executive ^b , Statement	Refer to the Plain paper section	106 to 169 g/m ² (28 to 45 lb bond) • 100 sheets stacking Not available in tray ^{3,4}	106 to 169 g/m ² (28 to 45 lb bond) • 20 sheets stacking
	A6, B6	Refer to the Plain paper section	Not available in tray ^{2,3,4}	
	SRA3, Ledger/Tabloid	Refer to the Plain paper section	Not available in tray ^{1,3,4}	
Thick Glossy^c	A4, Letter, A3, A5 ^b , B4, JIS B5 ^b , ISO B5 ^b , 8K, 16K, Legal, Oficio, Folio, Executive ^b , Statement	Refer to the Plain paper section	170 to 216 g/m ² (45 to 58 lb bond) • 100 sheets stacking Not available in tray ^{3,4}	170 to 216 g/m ² (45 to 58 lb bond) • 20 sheets stacking
	A6, B6	Refer to the Plain paper section	Not available in tray ^{2,3,4}	
	SRA3, Ledger/Tabloid	Refer to the Plain paper section	Not available in tray ^{1,3,4}	
Heavy Glossy^c	A4, Letter, A3, A5 ^b , B4, JIS B5 ^b , ISO B5 ^b , 8K, 16K, Legal, Oficio, Folio, Executive ^b , Statement	Refer to the Plain paper section	217 to 258 g/m ² (58 to 69 lb bond) • 100 sheets stacking Not available in tray ^{3,4}	217 to 258 g/m ² (58 to 69 lb bond) • 20 sheets stacking
	A6, B6	Refer to the Plain paper section	Not available in tray ^{2,3,4}	
	SRA3, Ledger/Tabloid	Refer to the Plain paper section	Not available in tray ^{1,3,4}	
Labels^d	Letter, A4	Refer to the Plain paper section	120 to 150 g/m ² (32 to 40 lb bond) • 50 sheets stacking Not available in tray ^{3,4}	120 to 150 g/m ² (32 to 40 lb bond) • 20 sheets stacking

Specifications

Type	Size	Dimensions	Print media weight/Capacity (Simplex) ^a	
			Tray1,2,3,4	Multipurpose tray
Transparency	Letter, A4	Refer to the Plain paper section	138 to 148 g/m ² (37 to 40 lb bond) • 100 sheets stacking Not available in tray3,4	138 to 148 g/m ² (37 to 40 lb bond) • 20 sheets stacking
Tray 1 minimum size (custom)		98 x 148 mm (3.87 x 5.82 inches)	60 to 300 g/m ² (16 to 80 lb bond)	-
Tray 1 maximum size (custom)		297 x 390 mm (11.7 x 15.3 inches)		
Tray 2,3,4 minimum size (custom)		140 x 210 mm (5.51 x 8.27 inches)		
Tray 2,3,4 maximum size (custom)		320 x 457 mm (12.6 x 18 inches)		
Multipurpose tray minimum size (custom)		98 x 148 mm (3.87 x 5.82 inches)	-	60 to 325 g/m ² (16 to 87 lb bond)
Multipurpose tray maximum size (custom)		320 x 457 mm (12.6x 18inches)		

a. Maximum capacity may differ depending on media weight, thickness, and environmental conditions.

b. When using LEF type, not available in tray2,3,4.

c. In high humidity environments, please use 1 sheet by MP.

d. The smoothness of the labels used in this machine is 100 to 250 (sheffield). This means the numeric level of smoothness.

Specifications

System requirements

Microsoft® Windows®

Operating system	Requirement (recommended)		
	CPU	RAM	free HDD space
Windows® XP	Intel® Pentium® III 933 MHz (Pentium IV 1 GHz)	128 MB (256 MB)	1.5 GB
Windows Server® 2003	Intel® Pentium® III 933 MHz (Pentium IV 1 GHz)	128 MB (512 MB)	1.25 GB to 2 GB
Windows Server® 2008	Intel® Pentium® IV 1 GHz (Pentium IV 2 GHz)	512 MB (2 GB)	10 GB
Windows Vista®	Intel® Pentium® IV 3 GHz	512 MB (1 GB)	15 GB
Windows® 7	Intel® Pentium® IV 1 GHz 32-bit or 64-bit processor or higher	1 GB (2 GB)	16 GB
	<ul style="list-style-type: none">• Support for DirectX® 9 graphics with 128 MB memory (to enable the Aero theme).• DVD-R/W Drive		
Windows Server® 2008 R2	Intel® Pentium® IV 1.4 GHz (x64) processors (2 GHz or faster)	512 MB (2 GB)	10 GB
Windows® 8	Intel® Pentium® IV 1 GHz 32-bit or 64-bit processor or higher	2 GB	20 GB
Windows® 8.1	<ul style="list-style-type: none">• Support for DirectX® 9 graphics with 128 MB memory (to enable the Aero theme).• DVD-R/W Drive		
Windows Server® 2012	Intel® Pentium® IV 1.4 GHz (x64) processors (2 GHz or faster)	512 MB (2 GB)	32 GB
Windows Server® 2012 R2			

Specifications



- Internet Explorer 6.0 or higher is the minimum requirement for all Windows operating systems.
- Users who have administrator rights can install the software.
- **Windows Terminal Services** is compatible with your machine.

Mac

Operating system	Requirements (Recommended)		
	CPU	RAM	Free HDD space
Mac OS X 10.5	<ul style="list-style-type: none">• Intel® processors• 867 MHz or faster Power PC G4/G5	512 MB (1 GB)	1 GB
Mac OS X 10.6	<ul style="list-style-type: none">• Intel® processors	1 GB (2 GB)	1 GB
Mac OS X 10.7 - 10.10	<ul style="list-style-type: none">• Intel® processors	2 GB	4 GB

Specifications

Linux

Items	Requirements
Operating system	Red Hat Enterprise Linux 5, 6, 7 Fedora 11, 12, 13, 14, 15, 16, 17, 18, 19, 20 openSUSE 11.2, 11.3, 11.4, 12.1, 12.2, 12.3, 13.1 Ubuntu 10.04, 10.10, 11.04, 11.10, 12.04, 12.10, 13.04, 13.10, 14.04 SUSE Linux Enterprise Desktop 10, 11 Debian 6, 7 Mint 13, 14, 15, 16, 17
CPU	Pentium IV 2.4GHz (Intel Core™2)
RAM	512 MB (1 GB)
Free HDD space	1 GB (2 GB)

Specifications

Unix

Items	Requirements
Operating system	Sun Solaris 9, 10, 11 (x86, SPARC) HP-UX 11.0, 11i v1, 11i v2, 11i v3 (PA-RISC, Itanium) IBM AIX 5.1, 5.2, 5.3, 5.4, 6.1 7.1 (PowerPC)
Free HDD space	Up to 100 MB

Specifications

Network environment



Network and wireless models only (see "Features by model" on page 8).

You need to set up the network protocols on the machine to use it as your network machine. The following table shows the network environments supported by the machine.

Items	Specifications
Network interface	<ul style="list-style-type: none">• Ethernet 10/100/1000 Base-TX Wired Lan
Network operating system	<ul style="list-style-type: none">• Windows® XP, Windows Server® 2003, Windows Vista®, Windows® 7, Windows® 8, Windows Server® 2008 R2• Various Linux OS• Mac OS X 10.5 - 10.10• UNIX OS
Network protocols	<ul style="list-style-type: none">• TCP/IPv4• DHCP, BOOTP• DNS, WINS, Bonjour, SLP, UPnP• Standard TCP/IP Printing (RAW), LPR, IPP, WSD, AirPrint, Google Cloud Print• SNMPv 1/2/3, HTTP, IPSec• TCP/IPv6 (DHCP, DNS, RAW, LPR, SNMPv 1/2/3, HTTP, IPSec)

Regulatory information

This machine is designed for a normal work environment and certified with several regulatory statements.

Laser safety statement


The printer is certified in the U.S. to conform to the requirements of DHHS 21 CFR, chapter 1 Subchapter J for Class I (1) laser products, and elsewhere is certified as a Class I laser product conforming to the requirements of IEC 60825-1 : 2007.

Class I laser products are not considered to be hazardous. The laser system and printer are designed so there is never any human access to laser radiation above a Class I level during normal operation, user maintenance or prescribed service condition.

Warning

Never operate or service the printer with the protective cover removed from laser/scanner assembly. The reflected beam, although invisible, can damage your eyes.

When using this product, these basic safety precautions should always be followed to reduce risk of fire, electric shock, and injury to persons:



CAUTION - CLASS 3B, INVISIBLE LASER RADIATION WHEN OPEN. AVOID EXPOSURE TO THE BEAM.

ATTENTION - CLASSE 3B, RADIATION LASER INVISIBLE EN CAS D'OUVERTURE. EVITER L'EXPOSITION AU FAISCEAU.

GEFAHREN - KLASSE 3B: UNSICHTBARE LASERSTRAHLUNG WENN GEOFFNET. STRAHLENAUSSETZUNG VERMEIDEN.

ATTENZIONE - CLASSE 3B, RADIAZIONI LASER INVISIBILI CON IL DISPOSITIVO APERTO. EVITARE L'ESPOSIZIONE AL RAGGIO.

PRECAUCIÓN - RADIACIÓN LÁSER INVISIBLE DE CLASE 3B PRESENTE AL ABRIR, EVITE LA EXPOSICIÓN AL HAZ.

PERIGO - CLASSE 3B, RADIAÇÃO LASER INVISÍVEL AO ABRIR, EVITE EXPOSIÇÃO DIRECTA AO FEIXE.

GEVAAR - KLASSE 3B, ONZICHTBARE LASERSTRALING INDIEN GEOPEND, VERMIJD BLOOTSTELLING AAN DE STRAAL.

ADVARSEL - KLASSE 3B, USYNLIG LASERSTRÅLING VED ÅBNING, UNDGÅ UDSÆTTELSE FOR STRÅLING.

ADVARSEL - KLASSE 3B, USYNLIG LASERSTRÅLING NÅR DEKSEL ÅPNES, UNNGÅ EKSPONERING FOR STRÅLEN.

VARNING - KLASSE 3B OSYNLIG LASERSTRÅLNING NÅR DENNA DEL ÅR ÖPPNAD, STRÅLEN ÅR FARLIG.

VAROITUS - LUOKAN 3B NÄKYMÄTTÖMÄLLE LASER-SÄTEILYÄ AVATTUNA, VÄLTÄ ALTISTUMISTA SÄTEELLE.

注 意 - CLASS 3B。严禁打开, 以免被不可见激光辐射 泄漏灼伤

주 의 - 열리면 등급 3B 비가시 레이저 방사선이 방출됩니다. 광선에 노출을 피하십시오.

Taiwan only

警告使用者：

此為甲類資訊技術設備，於居住環境中使用時，可能會造成射頻擾動，在此種情況下，使用者會被要求採取某此適當的對策。

Regulatory information

Ozone safety



This product's ozone emission rate is under 0.1 ppm. Because ozone is heavier than air, keep the product in a place with good ventilation.

Mercury Safety



Contains Mercury, Dispose According to Local, State or Federal Laws.(U.S.A. only)

Perchlorate warning

This Perchlorate warning applies only to primary CR (Manganese Dioxide) Lithium coin cells in the product sold or distributed ONLY in California USA.

Perchlorate Material - special handling may apply.

See www.dtsc.ca.gov/hazardouswaste/perchlorate. (U.S.A. only)

Power saver



This printer contains advanced energy conservation technology that reduces power consumption when it is not in active use.

When the printer does not receive data for an extended period of time, power consumption is automatically lowered.

ENERGY STAR and the ENERGY STAR mark are registered U.S. marks.

For more information on the ENERGY STAR program see <http://www.energystar.gov>

For ENERGY STAR certified models, the ENERGY STAR label will be on your machine. Check if your machine is ENERGY STAR certified.

Recycling



Recycle or dispose of the packaging material for this product in an environmentally responsible manner.

Regulatory information

China only

回收和再循环

为了保护环境，我公司已经为废弃的产品建立了回收和再循环系统。

我们会为您无偿提供回收同类废旧产品的服务。

当您要废弃您正在使用的产品时，请您及时与授权耗材更换中心取得联系，我们会及时为您提供服务。

Website : <http://www.hp.com/go/Samsung>

Correct disposal of this product (Waste electrical & electronic equipment)

(Applicable in countries with separate collection systems)



This marking on the product, accessories or literature indicates that the product and its electronic accessories (e.g. charger, headset, USB cable) should not be disposed of with other household waste at the end of their working life. To prevent possible harm to the environment or human health from uncontrolled waste disposal, please separate these items from other s of waste and recycle them responsibly to promote the sustainable reuse of material resources.

Household users should contact either the retailer where they purchased this product, or their local government office, for details of where and how they can take these items for environmentally safe recycling.

Business users should contact their supplier and check the terms and conditions of the purchase contract. This product and its electronic accessories should not be mixed with other commercial wastes for disposal.

Regulatory information

(The United States of America only)

State of California Proposition 65 Warning (USA Only)

The California Safe Drinking Water and Toxic Enforcement Act requires the Governor of California to publish a list of chemicals known to the State of California to cause cancer or reproductive toxicity and requires businesses to warn of potential exposure to such chemicals.

WARNING: This product contains chemicals known to the State of California to cause cancer, birth defects or other reproductive harm.
This appliance can cause low-level exposure to the chemicals, which can be minimized by operating the appliance in a well ventilated area.

Taiwan only

警告

本電池如果更換不正確會有爆炸的危險
請依製造商說明書處理用過之電池

Radio frequency emissions

FCC information to the user

This device complies with Part 15 of the FCC Rules. Operation is subject to the following two conditions:

- This device may not cause harmful interference, and
- This device must accept any interference received, including interference that may cause undesired operation.

This equipment has been tested and found to comply with the limits for a Class B digital device, pursuant to Part 15 of the FCC Rules. These limits are designed to provide reasonable protection against harmful interference in a residential installation. This equipment generates, uses and can radiate radio frequency energy and, if not installed and used in accordance with the instructions, may cause harmful interference to radio communications. However, there is no guarantee that interference will not occur in a particular installation. If this equipment does cause harmful interference to radio or television reception, which can be determined by turning the equipment off and on, the user is encouraged to try to correct the interference by one or more of the following measures:

- Reorient or relocate the receiving antenna.
- Increase the separation between the equipment and receiver.
- Connect the equipment into an outlet on a circuit different from that to which the receiver is connected.

Regulatory information

- Consult the dealer or experienced radio TV technician for help.



Change or modifications not expressly approved by the manufacturer responsible for compliance could void the user's authority to operate the equipment.

Canadian radio interference regulations

This digital apparatus does not exceed the Class B limits for radio noise emissions from digital apparatus as set out in the interference-causing equipment standard entitled "Digital Apparatus", ICES-003 of the Industry and Science Canada.

Cet appareil numérique respecte les limites de bruits radioélectriques applicables aux appareils numériques de Classe B prescrites dans la norme sur le matériel brouilleur: "Appareils Numériques", ICES-003 édictée par l'Industrie et Sciences Canada.

RFID (Radio Frequency Interface Device)

RFID operation is subject to the following two conditions:(1) this device may not cause interference, and (2) this device must accept any interference, including interference that may cause undesired operation of the device. (U.S.A., France, Taiwan only)

Taiwan only

低功率電波輻射性電機管理辦法

- 第十二條** 經型式認證合格之低功率射頻電機，非經許可，公司、商號或使用者均不得擅自變更頻率、加大功率或變更原設計之特性及功能。
- 第十四條** 低功率射頻電機之使用不得影響飛航安全及干擾合法通信；經發現有干擾現象時，應立即停用，並改善至無干擾時方得繼續使用。前項合法通信，指依電信法規定作業之無線電通信。低功率射頻電機須忍受合法通信或工業、科學及醫療用電波輻射性電機設備之干擾。

Russia / Kazakhstan / Belarus only



Изготовитель: «Самсунг Электроникс Ко., Лтд.»
(Мэтан-донг) 129, Самсунг-ро, Енгтонг-гу, г. Сувон, Кёнги-до, Республика Корея
Импортер: ООО «Самсунг Электроникс Рус Компани»
Адрес: 125009, г. Москва, ул. Воздвиженка 10

Самсунг Электроникс Ко. Лтд
(Мэтан-донг) 129, Самсунг-ро, Енгтонг-гу, Сувон қ., Кёнги-до, Корея Республикасы
«САМСУНГ ЭЛЕКТРОНИКС КЗ ЭНД ЦЕНТРАЛ ЭЙЖА» ЖШС
Заңды мекен-жайы:Қазақстан Республикасы, Алматы қ., Өл-Фараби даңғылы, 36, 3,4-қабаттар

Regulatory information

Germany only

Das Gerät ist nicht für die Benutzung am Bildschirmarbeitsplatz gemäß Bildschirmarbeitsverordnung vorgesehen.

Turkey only

- RoHS
AEEE Yönetmeliğine Uygundur.
(Compliant with WEEE)
- Bu ürünün ortalama yaşam süresi 7 yıl, garanti süresi 2 yıldır.

Thailand only

This telecommunication equipment conforms to NTC technical requirement.

Canada only

This product meets the applicable Industry Canada technical specifications. / Le présent matériel est conforme aux spécifications techniques applicables d'Industrie Canada.

The Ringer Equivalence Number (REN) is an indication of the maximum number of devices allowed to be connected to a telephone interface. The termination of an interface may consist of any combination of devices subject only to the requirement that the sum of the RENs of all the devices not exceed five. / L'indice d'équivalence de la sonnerie (IES) sert à indiquer le nombre maximal de terminaux qui peuvent être raccordés à une interface téléphonique. La terminaison d'une interface peut consister en une combinaison quelconque de dispositifs, à la seule condition que la somme d'indices d'équivalence de la sonnerie de tous les dispositifs n'excede pas cinq.

Fax Branding

The Telephone Consumer Protection Act of 1991 makes it unlawful for any person to use a computer or other electronic device to send any message via a telephone facsimile machine unless such message clearly contains in a margin at the top or bottom of each transmitted page or on the first page of the transmission the following information:

- 1 the date and time of transmission
- 2 identification of either business, business entity or individual sending the message; and
- 3 telephone number of either the sending machine, business, business entity or individual.

Regulatory information

The Telephone Company may make changes in its communications facilities, equipment operations or procedures where such action is reasonably required in the operation of its business and is not inconsistent with the rules and regulations in FCC Part 68. If such changes can be reasonably expected to render any customer terminal equipment incompatible with telephone company communications facilities, or require modification or alteration of such terminal equipment, or otherwise materially affect its use or performance, the customer shall be given adequate notice in writing, to allow the customer an opportunity to maintain uninterrupted service

Ringer Equivalence Number

The Ringer Equivalence Number and FCC Registration Number for this machine may be found on the label located on the bottom or rear of the machine. In some instances you may need to provide these numbers to the telephone company.

The Ringer Equivalence Number (REN) is a measure of the electrical load placed on the telephone line, and is useful for determining whether you have “overloaded” the line. Installing several s of equipment on the same telephone line may result in problems making and receiving telephone calls, especially ringing when your line is called. The sum of all Ringer Equivalence Numbers of the equipment on your telephone line should be less than five in order to assure proper service from the telephone company. In some cases, a sum of five may not be usable on your line. If any of your telephone equipment is not operating properly, you should immediately remove it from your telephone line, as it may cause harm to the telephone network.

The equipment complies with Part 68 of the FCC rules and the requirements adopted by the ACTA. On the rear of this equipment is a label that contains, among other information, a product identifier in the format US:AAAEQ##TXXXX. If requested, this number must be provided to the telephone company.



FCC Regulations state that changes or modifications to this equipment not expressly approved by the manufacturer could void the user’s authority to operate this equipment. In the event that terminal equipment causes harm to the telephone network, the telephone company should notify the customer that service may be stopped. However, where prior notice is impractical, the company may temporarily cease service, providing that they:

- a** promptly notify the customer.
- b** give the customer an opportunity to correct the equipment problem.
- c** inform the customer of the right to bring a complaint to the Federal Communication Commission pursuant to procedures set out in FCC Rules and Regulations Subpart E of Part 68.

You should also know that:

- Your machine is not designed to be connected to a digital PBX system.
- If you intend to use a computer modem or fax modem on the same phone line as your machine, you may experience transmission and reception problems with all the equipment. It is recommended that no other equipment, except for a regular telephone, share the line with your machine.

Regulatory information

- If your area experiences a high incidence of lightning or power surges, we recommend that you install surge protectors for both the power and the telephone lines. Surge protectors can be purchased from your dealer or telephone and electronic specialty stores.
- When programming emergency numbers and/or making test calls to emergency numbers, use a non-emergency number to advise the emergency service dispatcher of your intentions. The dispatcher will give you further instructions on how to actually test the emergency number.
- This machine may not be used on coin service or party lines.
- This machine provides magnetic coupling to hearing aids.

You may safely connect this equipment to the telephone network by means of a standard modular jack, USOC RJ-11C.

Replacing the Fitted Plug (for UK Only)

Important

The mains lead for this machine is fitted with a standard (BS 1363) 13 amp plug and has a 13 amp fuse. When you change or examine the fuse, you must re-fit the correct 13 amp fuse. You then need to replace the fuse cover. If you have lost the fuse cover, do not use the plug until you have another fuse cover.

Contact the people from you purchased the machine.

The 13 amp plug is the most widely used in the UK and should be suitable. However, some buildings (mainly old ones) do not have normal 13 amp plug sockets. You need to buy a suitable plug adaptor. Do not remove the moulded plug.



If you cut off the moulded plug, get rid of it straight away. You cannot rewire the plug and you may receive an electric shock if you plug it into a socket.

Important warning:



You must earth this machine.

The wires in the mains lead have the following color code:

- **Green and Yellow:** Earth
- **Blue:** Neutral
- **Brown:** Live

If the wires in the mains lead do not match the colors marked in your plug, do the following:

You must connect the green and yellow wire to the pin marked by the letter “E” or by the safety ‘Earth symbol’ or colored green and yellow or green.

You must connect the blue wire to the pin which is marked with the letter “N” or colored black.

You must connect the brown wire to the pin which is marked with the letter “L” or colored red.

You must have a 13 amp fuse in the plug, adaptor, or at the distribution board.

Regulatory information

Declaration of conformity (European countries)

Approvals and Certifications



Hereby, Samsung Electronics, declares that this [SL-K740x/K750x/K760x/K765x/X740x/X750x/X760x series] is in compliance with the essential requirements and other relevant provisions of R&TTE Directive 1999/5/EC.

January 1, 1995: Council Directive 2006/95/EC Approximation of the laws of the member states related to low voltage equipment.

January 1, 1996: Council Directive 2004/108/EC, approximation of the laws of the Member States related to electromagnetic compatibility.

March 9, 1999: Council Directive 1999/5/EC on radio equipment and telecommunications terminal equipment and the mutual recognition of their conformity. A full declaration, defining the relevant Directives and referenced standards can be obtained from your Samsung Electronics Co., Ltd. representative.

Regulatory information

China only

产品中有害物质的名称及含量

部件名称	有害物质					
	铅 (Pb)	汞 (Hg)	镉 (Cd)	六价铬 (Cr ⁶⁺)	多溴联苯 (PBB)	多溴二苯醚 (PBDE)
塑料	○	○	○	○	○	○
金属 (机箱)	×	○	○	○	○	○
印刷电路部件 (PCA)	×	○	○	○	○	○
电缆 / 连接器	×	○	○	○	○	○
电源设备	×	○	○	○	○	○
电源线	×	○	○	○	○	○
机械部件	×	○	○	○	○	○
卡盒部件	×	○	○	○	○	○
定影部件	×	○	○	○	○	○
扫描仪部件 - CCD (如果有)	×	×	○	○	○	○
扫描仪部件 - 其它 (如果有)	×	○	○	○	○	○
印刷电路板部件 (PBA)	×	○	○	○	○	○
墨粉	○	○	○	○	○	○
滚筒	○	○	○	○	○	○

本表格依据 SJ/T 11364 的规定编制。

○：表示该有害物质在该部件所有均质材料中的含量均在 GB/T 26572 规定的限量要求以下。

×：表示该有害物质至少在该部件的某一均质材料中的含量超出 GB/T 26572 规定的限量要求。

Copyright

© Copyright 2018 HP Development Company, L.P. The information contained herein is subject to change without notice.

Development Company, L.P. is not responsible for any direct or indirect damages, arising from or related to use of this user's guide.

- Microsoft, Windows, Windows Vista, Windows 7/8, and Windows Server 2008 R2 are either registered trademarks or trademarks of Microsoft Corporation.
- Microsoft, Internet Explorer, Excel, Word, PowerPoint, and Outlook are either registered trademarks or trademarks of Microsoft Corporation in the United States and other countries.
- Google, Picasa, Google Cloud Print, Google Docs, Android and Gmail are either registered trademarks or trademarks of Google Inc.
- iPad, iPhone, iPod touch, Mac and Mac OS are trademarks of Apple Inc., registered in the U.S and other countries.
- AirPrint and the AirPrint logo are trademarks of Apple Inc.
- All other brand or product names are trademarks of their respective companies or organizations.

The software included in this product contains open source software. You may obtain the complete corresponding source code for a period of three years after the last shipment of this product by sending an email to <mailto:oss.request@samsung.com>. It is also possible to obtain the complete corresponding source code in a physical medium such as a CD-ROM; a minimal charge will be required.

The following URL https://opensource.samsung.com/opensource/X7600_Series/seq/0 leads to the download page of the source code made available and open source license information as related to this product. This offer is valid to anyone in receipt of this information.

Copyright

The software included in this product contains open source software. You may obtain the complete corresponding source code for a period of three years after the last shipment of this product by sending an email to <mailto:oss.request@samsung.com>. It is also possible to obtain the complete corresponding source code in a physical medium such as a CD-ROM; a minimal charge will be required.

The following URL https://opensource.samsung.com/opensource/K7600_Series/seq/0 leads to the download page of the source code made available and open source license information as related to this product. This offer is valid to anyone in receipt of this information.

REV. 2.01

User's Guide

Samsung Multifunction **MultiXpress**

X740x/X750x/X760x series
K740x/K750x/K760x/K765x series

ADVANCED (ADMINISTRATOR'S GUIDE)

This administrator's guide provides advanced information for administrator's to use and manage the machine.

Some features may not be available depending on model or country.

BASIC

This guide provides information concerning installation, basic operation and troubleshooting on Windows.

ADVANCED (ADMINISTRATOR'S GUIDE)



1. About this Administrator's Guide

Convention	305
Intended audience	306
Security policies for administrators	307
Terminology used in this guide	308



2. Advanced Features for Settings

Log-in	311
Language and Input	312
Machine	313
Admin Settings	319
Management	328

Network Settings	330
System	334



3. Network Setup

Network environment	336
Accessing network setup	337
Network settings (configuring TCP/IP)	338
Print settings (Ports to set for network printing)	341
Set Protocols	342
Network filtering settings	343
Installing driver over the network	344
Supported Mobile Apps	352
Wireless network setup (Optional)	353
Using the NFC feature (Optional)	361
Mopria™	371
AirPrint	373
Google Cloud Print™	374



4. Maintenance

Monitoring the supplies life	378
------------------------------	-----

ADVANCED (ADMINISTRATOR'S GUIDE)

Setting supplies reorder notification	381
Replacing & redistributing supplies	382
Finding the serial number	383
Clearing memory	384
Cleaning the machine	385
Tips for storing the machine, supplies, and paper	393
Tips for moving the machine	394
Printing a demo page	395



1. About this Administrator's Guide

This administrator's guide provides advanced information for administrator's to use and manage the machine. Your machine provides features that are available only for administrators, such as remotely installing the driver or creating the installer package. You can also refer to this guide for maintenance information (eg., cleaning the machine, replacing toner cartridges). This guide provides instructional screen images, easy-to-read tables of features, and step-by-step instructions.



• Convention	305
• Intended audience	306
• Security policies for administrators	307
• Terminology used in this guide	308



- Read the safety information before using the machine.
- Terms used in this administrator's guide are explained in the glossary chapter (see "Glossary" on page 396).
- The illustrations in this administrator's guide may differ from your machine depending on its options or models but the procedures are the same.
- The screenshots in this administrator's guide may differ from your machine depending on the machine's firmware/driver version.
- The procedures in this administrator's guide are mainly based on Windows 7.

Convention

The following table offers the conventions of this guide:

Convention	Description	Example
Bold	For texts on the display or button names on the machine.	Start
Note	Provides additional information or detailed specification of the machine function and feature.	 The date format may differ from country to country.
Caution	Gives users information to protect the machine from possible mechanical damage or malfunction.	 Do not touch the surface of the drum located in the toner cartridge or imaging unit.
Footnote	Provides additional information on certain words or a phrase.	a. pages per minute
("Cross-reference")	Guides users to a reference page for the additional detailed information.	(See "Glossary" on page 394.)

Intended audience

The expected user for this guide is an administrator with an understanding of:

- General knowledge of machine and other optional parts.
- Basic technical knowledge.
- The network printing environment.
- Network protocols – subnets, security features, addresses.
- Windows operating systems on server and client computers.

Security policies for administrators

Administrators need to adhere to the following policies in order to securely manage the machine:

- The administrator should place the machine in a secure place where the machine can be protected by the physical contact or modulation,
- The administrator should be fully aware of the security policies the organization has and follow them to manage the machine.
- The administrator should give the right to use the machine to users according to the security policies and procedures.
- The administrator should not use the authority one has over the machine with ill intention.
- The administrator should manage the machine in a trusted network supported environment.
- The administrator should guarantee that the certifying service via certification server is through a safe channel and is safely managed.
- The administrator should provide a Time Stamp feature to keep an accurate system log history.
- The administrator should provide a safe secure network channel with SSL.
- The administrator should save the system log files exported by the Exporting feature in a safe place and protected.
- The administrator should protect the machine from any unauthorized contact with external interfaces.

Terminology used in this guide

The following terms are used throughout this guide in examples, instructions, and descriptions:

Synonym

Some terms in this guide are used interchangeably, as below:

Terms	Synonym
Document	original
Paper	media, print media
Machine	printer, MFP, device
User's Guide	manual, guide

Acronyms

The following acronyms are used throughout this guide in examples, instructions, and descriptions:

Acronyms	Meaning
DBMS	Data Base Management System
EAP-MD5	Extensible Authentication Protocol-Message Digest 5
EAP-MS-CHAPv2	Extensible Authentication Protocol-Microsoft Challenge-Handshake Authentication Protocol version 2
IP	Internet Protocol
HTTP	Hypertext Transfer Protocol
HTTPS	Hypertext Transfer Protocol Secure
PEAPv0/EAP-MS-CHAPv2	Protected Extensible Authentication Protocol version 0/Extensible Authentication Protocol-Microsoft Challenge-Handshake Authentication Protocol version 2
SMTP	Simple Mail Transfer Protocol
MFP	Multi-Functional Peripheral/Multi-Functional Printer
S/N	Serial Number
SNMP	Simple Network Management Protocol
SNTP	Simple Network Time Protocol

Terminology used in this guide

Acronyms	Meaning
TLS	Transport Layer Security
UPnP	Universal Plug and Play
MDNS	Multicast Domain Name System
LDAP	Lightweight Directory Access Protocol
SLP	Service Location Protocol
SMB	Server Message Block
SWS	SyncThru™Web Service
WINS	Windows Internet Name Service
WSD	Web Service for Device

Glossary

(See "Glossary" on page 394.)



2. Advanced Features for Settings Menu

This chapter explains the **Settings** menu provided by your machine. The **Settings** menu provides various options for administrators to set in order to use the machine to its full capabilities.

- **Log-in** 311
- **Language and Input** 312
- **Machine** 313
- **Admin Settings** 319
- **Management** 328
- **Network Settings** 330
- **System** 334



- This administrator's guide mainly describes features administrators would often use and settings to set before using the machine.
- For some options, you need to contact your local service provider to set the settings.
- Some menus may not appear on the display screen depending on the settings or models. If so, it is not applicable to your machine.
- Some options are only available to the administrator depending on the authentication settings selected (see "Authentication" on page 321).

Log-in

Depending on the authentication settings you selected, you may need to log-in as an administrator to access some options under **Settings** menu (see "Authentication" on page 321). Contact your network service provider or network administrator for more information.

- 1 Tap **Settings** from the home screen or **Apps**.
- 2 Select the option you want. If the option is available for only the administrator, log-in screen appears.

Enter the **ID**, **Password**, and **Domain** using the pop-up keyboard which appears when you tap each field.



- Enter the ID and password you first set when you turned on the machine(see "Initial settings (administrator only)" on page 324).
- You can also use the **Recent Users** button to find the recently used ID and Domain List button to find the domain from the list stored in the machine.
- When you log-in, you can see the ID of the logged in user on the display.

- 3 Tap **Log in**.

Language and Input

This menu allows you to configure the language in which to display the menus. You can also set onscreen keyboard options.

Tap **Settings** > **Language and Input** from the home screen or **Apps**.

Feature	Description
Language	Allows you to select the language.
Keyboard & Input Methods	You can change the keyboard used by your machine.
Speech	Allows you to set the speech settings for Voice input.

Language

Allows you to select the language that appears on the display screen.

Tap **Settings** > **Language** from the home screen or **Apps** then select the language what you want.

Input

When there is no input for a certain period of time, the machine cancels the held job or exits the current menu and goes in to the default settings. You can set the amount of time the machine will wait before it cancels a held job or exits the current menu.

Keyboard & Input Methods

Allows you to specify the keyboard that the machine uses.

- **Default:** Select the default input language and method.



Speech

- **Text-to-speech output :** Provides audible readout of text, for example, the contents of email messages.

Machine

Before using the machine, set up the general settings.



- Some menus may not appear on the display depending on options or models. If so, it is not applicable to your machine.
- Click the  (**Help**) from the home screen or  (quick menu) and then click on any option you want to know about.

Tap **Settings** > **Machine** from the home screen or **Apps**.

Feature	Description
Tray Settings	Allows you to adjust the current tray settings, such as the paper type and tray priorities (see "Tray settings" on page 314).
Sound	Allows you to set the volume for button sound, notice alarm, and sounds occurring during fax job. You can test the volume right after you set the level (see "Sound" on page 314).
Display	Allows you to set the brightness and quick launch.
Storage	Management all application's storage.
Adjustment	Allows you to adjust altitude, humidity, image, and machine test functions.

Feature	Description
Power Saver	Allows you to reduce energy consumption. If you set this option, the machine goes into power saving mode when not in use. There are two power saving modes (see "Power Saver" on page 316).
Timers	Allows you to set the time for machine to return to the default setting or cancel the held job if there is no input for an extended time (see "Timers (administrator only)" on page 317).
Eco^a	Allows you to set the Eco mode as a default and change settings for Eco mode. Using Eco mode can save printing resources (see "Eco" on page 318).

a. Available for the administrator depending on the authentication settings selected (see "Authentication" on page 321).

Machine

Tray settings

This feature allows you to check the current tray settings and change the settings if necessary. There are many options available for setting the tray and paper. Make the best use of the options to fit your needs for trays and paper.



You can also use this feature from the SyncThru™ Web Service. Open the Web browser from your networked computer and type the IP address of your machine. When SyncThru™ Web Service opens, click **Settings** tab > **Machine Settings** > **System** > **Input Trays** (see "Settings tab" on page 185).



If some options are grayed out, it means that the grayed-out option is not supported for your machine or optional parts needed to use the option are not installed.

Sound

You can set the volume for button sound, notice alarm, and the sounds occurring during a fax job. Using the slide bar select the desired volume and press the **Test** button to test the volume.

- **Key Sound:** Allows you to adjust the sound volume for when pressing the button
- **Alarm Sound:** Allows you to adjust the sound volume for when notice alarm.
- **Fax Sound:** Allows you to adjust the sound volume occurring during a fax job. This option has other sub-options.
- **Feedback**
 - **Haptic Feedback** : Vibrate when soft keys are press and on certain UI interaction.
 - **Vibration Intensity** : Set your touch feedback vibration intensity.

Machine

Display

you can change various settings for the display.

- **Screen:** Allows you to adjust the LCD brightness.
- **More Settings:** You can select the register at **Quick Launch (None, Screen Capture, Applications, Search)**

Storage

You can management the all application storage and shows all storage informations.



If the machine's power is cut off, you need to reset the correct time and date once the power has been restored.

Adjustment

You can choose the altitude of the place where your machine is located. You can also adjustment the image management and checking the machine test.

- **Altitude Adjustment :** You can choose the altitude of the place where your machine is located. The print quality is affected by atmospheric pressure, which is determined by the height of the machine above sea level. Therefore, it is important to set the right altitude.
 - **Normal :** 0 ~ 1,000 m (3,280 ft)
 - **High 1 :** 1,000 m (3,280 ft) ~ 2,000 m (6,561 ft)
 - **High 2 :** 2,000 m (6,561 ft) ~ 3,000 m (9,842 ft)
 - **High 3 :** 3,000 m (9,842 ft) ~ 4,000 m (13,123 ft)
 - **High 4 :** 4,000 m (13,123 ft) ~ 5,000 m (16,404 ft)
- **Humidity :** Optimizes print quality according to the humidity in the environment. Choose a humidity setting based on the humidity in the work environment. The levels of humidity range from **Normal** (normal humidity) to **High 3** (high humidity).
- **Auto Color Registration**
 - **Auto Color Registration :** The machine virtually prints certain patterned image to calibrate the color printing position. This feature enhances the colored image sharper and clearer, which means the machine prints the colored image on the paper more like the one in the monitor.

Machine

- **Full Auto Color Registration** : Set to perform full auto color registration.
- **Color Simulation:** Allows you to choose the color. If you are not satisfied with the current printout color, you can choose the color simulation to suit your needs.
 - **Default Simulation:** Returns to the default color setting.
 - **Simulation A ~ Simulation D:** Choose the color setting you want. Each simulation has a different color setting.
 - **Custom:** If you want other color setting than the above, contact the service provider and ask for custom setting.
- **Custom Color:** Allows you to adjust the level of print density and copy darkness.
- **Tone Adjustment:** Allows you to automatically adjust the color tone to produce the best possible print quality.
 - **Auto Tone Adjustment Activation:** Instructs the machine to automatically calibrate the tone at certain intervals. Activate this option to perform a normal or full tone adjustment after a certain number or pages are printed or the machine is not used for a certain period.
 - **Auto Tone Adjustment:** Performs a normal or full tone adjustment sequence immediately.



- **Normal:** Automatically adjusts the color tone. This process takes more time than Quick, but it produces better results.
- **Full:** Changes the color table entirely to adjust the color tone.

- **Machine Test:** Allows you to adjust the tone level.
 - **Print Adjustment** : Allows you to adjust the print area. When images are printed off the page or shifted, adjust the print area.

Power Saver


When you are not using the machine for a while, use this option to save power.



The **Power Save** option can be wake up by pressing the display screen.

Performance Optimization

When this option is **On**, you can wake up the machine from the power saving mode with the following actions:

- Pressing  (**Power / Wakeup**) on the control panel.
- Loading paper in a tray.
- Opening or closing the cover.
- Pulling a tray out or pushing a tray in.
- Place the originals in the DSDP.
- Plug in the USB Drive device.

Machine

Low Power Save

Low Power Save option allows your machine to save power. When you are not using the machine for a while, some parts of the machine automatically enter **Low Power Save** option. **Low Power Save** option conserves less power than **Power Save** option.

Power Save

When you are not using the machine for a while, use this option to save power. The machine conserves more power in **Power Save** option than in **Low Power Save** mode.

Timers (administrator only)

When there is no input for a certain period of time, the machine cancels the held job or exits the current menu and goes in to the default settings. You can set the amount of time the machine will wait before it cancels a held job or exits the current menu.



You can also use this feature from the SyncThru™ Web Service. Open the Web browser from your networked computer and type the IP address of your machine. When SyncThru™ Web Service opens, click **Settings > Machine Settings > System > Setup**.

- **System Timeout:** The machine returns to the Copy menu if there is no input for the given time.
- **Held Job Timeout:** When an error occurs while printing and there is no signal from the computer, the machine holds a job for a specific time period before deleting it.
- **Job Timeout:** When there is no input for a certain period of time, the machine cancels the current job. You can set the amount of time the machine will wait before canceling the job.

Machine

Eco

Allows you to save print resources and enables ecofriendly printing.

- **Default Mode** : Select whether to turn the Eco mode on or off.





On-Forced: Sets the Eco mode on. If a user wants to turn the Eco mode off, the user needs to enter the password.

- **Eco Features Configuration** : Setting the Eco features.
 - **Default Settings**: The machine is set to Default Eco mode.
 - **Custom Settings**: Change any necessary values.

Admin Settings

This option is only available to administrators.



- Some menus may not appear on the display depending on options or models. If so, it is not applicable to your machine.
- Click the  (**Help**) from the home screen or  (quick menu) and then click on any option you want to know about.

Tap **Settings** > **Admin Settings** from the home screen or **Apps**.

Feature	Description
Security	Allows you to set up the security related settings (see "Security" on page 320).
General Settings	Allows you to set up the general settings (Measurement, Supplies Management, Contention Management , and other settings) (see "General Settings" on page 322).
Initial Settings	Allows you to set the basic settings needed to be set before using the machine (see "Initial settings (administrator only)" on page 324).
Fax Settings	You can set the default fax options. Set the most frequently used fax settings (see "Fax Settings" on page 325).

Feature	Description
Print Settings	You can set print related settings. When there is no specific input for printing options, the machine prints with the settings you set here. Set the frequently used printing settings. This feature can be useful if your company has a specific printing form (see "Print Settings" on page 325).
Box Settings	Allows you to check the current box settings and change the settings if necessary (see "Box Settings" on page 325).
Report Settings	The paper source setting specifies the default paper tray that the machine uses to print reports.
Application Management	You can install or uninstall applications. If you add an application, you need to activate the license of the installed application. Some applications may not have a license (see "Application Management" on page 326).

Admin Settings

Security

Allows you to set up the security related settings.

Image Overwrite

You can set the machine to overwrite data stored in the memory. The machine overwrites the data with different patterns eliminating the possibilities of recovery.



This feature may not be available depending on models or option kits installed.

- **Automatic Image Overwrite:** When a job is completed, there are temporal images left in the memory. For security reasons, you can set the machine to automatically overwrite secure non-volatile memory. If you want to secure memory space, you can set the machine to automatically overwrite secure non-volatile memory.
- **Manual Image Overwrite:** When printing, copying, scanning, and faxing, the machine temporarily uses memory space. For security reasons, you can set the machine to manually overwrite secure non-volatile memory. If you want to secure memory space, you can manually overwrite secure non-volatile memory. You can set the machine to repeat the manual image overwrite after the system is rebooted.

- **Scheduled Image Overwrite:** you can set the schedule to manually overwrite the image.
- **Overwrite Method:** You can select the method for overwriting the secure non-volatile memory(hard).
 - **German VSITR:** Select to overwrite the memory 7 times. When overwriting for the 6 times, alternate 0x00 and 0xff are used to overwrite the disk, and, in the 7th time, the disk is written with 0xAA.
 - **DoD 5220.28-M:** Select to overwrite the memory 3 times. When overwriting three times, patterns 0x35, 0xCA, 0x97 are used to overwrite the disk's content. This method of overwriting the disk is specified by US DoD.
 - **Australian ACSI 33:** Select to overwrite the memory 5 times. When overwriting 5 times, character "C" and its complement alternatively are used to overwrite the disk. After the 2nd time, there is a mandatory validation. For the 5th time, random data is used.
 - **DoD 5220.22M (ECE):** Select to overwrite the memory 3 times. When overwriting three times, patterns 0x35, 0xCA, 0x97 are used to overwrite the disk's content. This method of overwriting the disk is specified by US DoD.
 - **Custom Overwrite:** Select to determine the number of times the memory will be overwritten. The hard disk will be overwritten as many times as the number you select.

Admin Settings

Authentication

This feature allows you to choose the authentication method for user authentication.



You can also use this feature from the SyncThru™ Web Service. Open the Web browser from your networked computer and type the IP address of your machine. When SyncThru™ Web Service opens, click the **Security** tab > **User Access Control**. (see "Security tab" on page 186).

- **Mode:** Select the authentication mode.
 - **Basic Authentication:** Activate basic authentication. Users are asked to login when they select options that are only available to administrators. Those options are marked with "a" or "(administrator only)" in this guide.
 - **Device Authentication:** Activate device authentication. Device authentication requests a user to login before being able to use the device. Users cannot use any application without logging in.
 - **Application Authentication:** Activate application authentication. An administrator can choose the application(s) to require user to login to use. Users cannot use the selected application(s) without logging-in. Press **Application Mode** to enable authentication.
- **Method**
 - **Local Authentication:** Executes authentication process based on the user information stored at HDD in the device.
 - **LUI Login Screen:** Provides Pre-Installed-For-LUI , by default.
 - **SWS Login Screen:** Provides Pre-Installed-For SWS, by default.
 - **SMB and Local Authentication:** Executes authentication process based on the user information stored at SMB server.
 - **LUI Login Screen:** Provides Pre-Installed-For-LUI , by default.
 - **SWS Login Screen:** Provides Pre-Installed-For SWS, by default.
 - **Kerberos and Local Authentication:** Executes authentication process based on the user information stored at kerberos server.
 - **LUI Login Screen:** Provides Pre-Installed-For-LUI , by default.
 - **SWS Login Screen:** Provides Pre-Installed-For SWS, by default.
 - **LDAP and Local Authentication:** Executes authentication process based on the user information stored at LDAPserver.
 - **LUI Login Screen:** Provides Pre-Installed-For-LUI , by default.
 - **SWS Login Screen:** Provides Pre-Installed-For SWS, by default.
 - **SyncThruAaProvider:** Executes authentication process based on the user information allocated from SWS.
 - **LUI Login Screen:** Provides Pre-Installed-For-LUI , by default.
 - **SWS Login Screen:** Provides Pre-Installed-For SWS, by default.
 - **Standard Accounting Only:** Allows users to login by entering ID and password.
 - **ID/PW Login:** You can login from ID&Password.
 - **ID Only Login:** You can login from ID only.
 - **Options :** Select what to require for the user to login
 - **Auto Logout:** You can use auto logout.

Admin Settings

- **seconds:** You can set the auto logout time.
- **Logout Policy:** You can select the logout Identification type.
- **Login Restriction:** You can set the Login Restriction time, attempts, or lock-out time.
- **Secure Print:** You can login from secure print.

Accounting

You can set usage limits for each user to use each feature if **Standard** accounting method is chosen (see "Authentication" on page 321).



You can also use this feature from the SyncThru™ Web Service. Open the Web browser from your networked computer and type the IP address of your machine. When SyncThru™ Web Service opens, click the **Security** tab > **User Access Control** > **Accounting** > **Accounting Methods**. (see "Security tab" on page 203).

- **No Accounting:** Select not to use this feature.
- **Standard Accounting:** Select to use the installed job accounting method.
- **SyncThruAaProvider:** Select to use the job accounting method provided by the SyncThru™ Web Admin Service (For detailed information, refer to the SyncThru™ Web Admin Service guide).

General Settings

Allows you to set up the general settings.

Measurement

You can choose the measuring unit and default paper size.

Supplies Management

Allows you to set options for supplies reorder notification. If you set this option, the machine will display a warning message when the supplies are running out. Prepare the supplies in advance.



- **Imaging Unit Reorder Notification:** Issues a notification when the imaging unit has the specified lifespan remaining.
- **Toner Cartridge Reorder Notification:** Issues a notification when a toner cartridge has the specified lifespan remaining.
- **Toner Save:** The **Toner Save** setting allows the user to save printing toner when printing a document.

Admin Settings

Contention Management

Allows you to set **Copy, Print, Send, Report** priority.

More Settings

- **Job Progress Window:** Allows you to show job progress in display.
- **Skip Blank Pages:** This option allows you to specify not to print blank pages in the original data.
- **Job Deletion:** The Job Deletion setting specifies whether users can delete all jobs or only the jobs that they create.
 - **Allow all jobs to delete :** All users allow all jobs to delete.
 - **Allow only own jobs to delete :** Users allow only own jobs to delete.
- **Home Screen Lock:** All users are not allow to create, move or delete icon at home screen.
- **Job Rescheduling:** Processes jobs based on the order of priority set in the **Contention Management** option.
- **Smart Duplex:** Uses simplex mode when printing only one original page or a blank page although the duplex option is enabled.
- **Vapor Mode:** Prevents moisture in the paper from affecting the print quality.
 - **Off:** Disables this option.
 - **On:** Slows the printing speed by 50% and lowers the temperature of the fusing device when printing.

- **Auto:** Detects the temperature and humidity in the machine and adjusts the settings accordingly.



The machine detects the temperature and humidity again and resets the settings in the following situations:

- When you leave the machine unattended for over four hours when the temperature is below 15 °C or the humidity is over 80%.
- When you print 100 papers consecutively or leave the machine unattended for one hour after printing.

Admin Settings

Initial settings (administrator only)

You can change the initial settings when you first turn the machine on.



If you want to stop adjusting the initial settings, press **Exit**. The settings you have set so far will be saved. However, the **Exit** button is not enabled if it's the first time using this option.

- **Language:** Select the language to use on the display screen then tap **Next**.
- **Note:** Read and tap **Next**.
- **Administrator Account:** Input the **Name**, **New Password**, **Confirm Password**. The **admin** is entered as a default in Name field.
- **Date & Time:** Set the **Date**, **Time**, **Time Zone**, date and hour format, and **Day light Saving**.



Example for selecting the time zone, select your country area.

- **Device Attribution:** Remove the existing device name and enter the device name you want to use. then tap **Next**. Keep in mind to enter the device name to be used on the network.



- If necessary, enter the location of the machine in the **Location** field.
- If necessary, enter the information in the **Administrator** field for the person to contact when any problem occurs on the machine.

- **Verify Connections:** Tap the **Test** button to verify the **Ethernet Card connection**. When **Connected** appears after tap the **Test** button, press **Next**.

If **Not connected** appears, make sure that the machine is connected to the network then verify the LAN connection again.



- If a network connection problem persists, contact your network administrator.
- If you installed an optional fax kit or finisher, press each **Test** button for verify connection of them.

- **Network Settings:** Enter the **IP address**, **Subnet Mask**, **Gateway**, **Host Name**, **Domain Name**, **Primary DNS Server** and **Secondary DNS Server** in each field. Then tap **Next**.



- If a new IP address is assigned automatically by a DHCP or BOOTP, press **DHCP** or **BOOTP**.
- If you are not sure about your network environment, contact your network administrator.

Admin Settings

- **SNMP Configuration:** Enter the **Community Name, Access Permission, Authentication User Name, Authentication Password, Authentication Confirm Password, Privacy Password** and **Privacy Confirm Password** in each field. Then tap **Done**.

Fax Settings

You can set the default fax options. Set the most frequently used fax settings.

Tap **Settings > Fax Settings** from the display screen.



- If the optional fax is not installed, the fax icon will not appear on the display screen.
- The fax options are different from country to country depending on the International Communications Regulatory. If some of the fax options explained in the instructions have been grayed-out, it means that the grayed-out option is not supported in your communication environment.
- You can also use this feature from the SyncThru™ Web Service. Open the Web browser from your networked computer and type the IP address of your machine. When SyncThru™ Web Service opens, click **Settings** tab > **Machine Settings > Fax** (see "Settings tab" on page 185).

Print Settings

You can set print related settings. When there is no specific input for printing options, the machine prints with the settings you set here. Set the frequently used printing settings. This feature can be useful if your company has a specific printing form.

Tap **Settings > Print Settings** from the display screen.



You can also use this feature from the SyncThru™ Web Service. Open the Web browser from your networked computer and type the IP address of your machine. When SyncThru™ Web Service opens, click the **Settings** tab > **Machine Settings > Printer**. (see "Settings tab" on page 185).

Box Settings

You can store documents print,download and sent from computers or scanned images in the **Box**. The **Box** is located on your machine's hard disk drive (HDD). It means the documents are stored on the HDD. You can create a password for a certain Stored Document, so unauthorized users cannot access it. Also, you can print stored documents by using a variety of printing features and send the documents to several destination such as email, server or fax. You can set a Stored Document and use Stored Document feature with SyncThru™ Web Service.

Admin Settings



If important data is stored in the **Box**, we recommend you to backup the data regularly. Samsung disclaims all responsibility for damage or loss of data caused by misuse or failure of the machine.

Report Settings

The paper source setting specifies the default paper tray that the machine uses to print reports.

Application Management

You can install or uninstall applications. If you add an application, you need to activate the license of the installed application. Some applications may not have a license.

Tap **Settings** > **Application Management** from the home screen or **Apps**.



- You can also use this feature from the SyncThru™ Web Service. Open the Web browser from your networked computer and type the IP address of your machine. When SyncThru™ Web Service opens, click the **Maintenance** tab > **Application Management**. (see "Maintenance tab" on page 188).
- Some models may not support this feature.

Installing an application

- 1 Tap **Install** button.
- 2 A pop-up window with folder tree appears. Select the application file and press **OK**.
- 3 A verification message appears. Read the agreement and check **I accept terms of the License Agreement** and press **OK**.
Application installation begins.

Viewing an application in details

- 1 Tap the application name you want to view in details.
- 2 View the application's information in details.

Enabling/Disabling an application

- 1 Select the application you want to enable/disable and press **Enable/Disable**.
- 2 The application you selected is enabled/disabled.



Admin Settings

Uninstalling an application

- 1 Select the application you want to uninstall and tap **Uninstall**.
- 2 A confirmation window appears. Press **Yes**.
The application you selected is uninstalled.

Management



- Some menus may not appear on the display depending on options or models. If so, it is not applicable to your machine.
- Click the  (**Help**) from the home screen or  (quick menu) and then click on any option you want to know about.

You can checking the supplies life and printing report.

Tap **Settings** > **Management** from the home screen or **Apps**.

Supplies Life

This feature allows you to check the remaining percentage of each supply.

ex) toner cartridge / imaging unit

Report

This feature allows you to print all the reports provided by your machine. You can use these reports to help you maintain your machine.



You can also use this feature from the SyncThru™ Web Service. Open the Web browser from your networked computer and type the IP address of your machine. When SyncThru™ Web Service opens, click **Information** > **Print information** (see "Information tab" on page 184).

- **System Report**
 - **Configuration:** Print to see the machine configuration information. Product information, version information, product setting, and paper setting are included.
 - **Supplies Information:** Print to check remaining percentage of each supply.
 - **Usage Counter:** Print to check the count of the jobs performed. Print usage, scan usage, and fax usage information are included.
 - **Demo Page:** Print demo page to check if the machine is working properly. Also you can select A4 or Letter size.
 - **Error Information:** Print to check what errors have occurred in the machine. Error types and counts are included.
 - **Network Configuration:** Print to see the network configuration information. Network configuration information such as TCP/IP, Raw TCP/IP, and LPD information are printed.



Management

- **Account:** Print to see the account list.
- **Send**
 - **Send Confirmation:** You can set the machine to print a report whether a send was successfully completed or not.
 - **Fax Received:** Print to check the list of faxes received.
 - **Fax Sent:** Print to check the list of faxes sent.
 - **Fax Scheduled Jobs:** Print to check the list of scheduled fax jobs.
 - **Email Sent:** Print to check the transmission state of the **Scan to Email** job.
- **Font:**
 - **PCL Font List:** Print to see the PCL font list.
 - **PS Font List:** Print to see the PS font list

Network Settings

This option is setting the Network Settings functions.



- Some menus may not appear on the display depending on options or models. If so, it is not applicable to your machine.
- Click the  (**Help**) from the home screen or  (quick menu) and then click on any option you want to know about.

Tap **Settings** > **Network Settings** from the home screen or **Apps**.

Ethernet

Feature	Description
Ethernet Port	You can enable/disable ethernet port.
Ethernet Speed	You can select the speed rate of ethernet.
MAC Address	Shows the Mac address of the machine.
IP Setting	You can set the TCP/IPv4 IP setting.
DNS Configuration	You can set the DNS setting.
WINS	You can configure the WINS server.
Display IP Address	You can set the machine to display the IP address on the home screen.

Feature	Description
Protocol	You can enable/disable IPv6 protocol.
IPv6 Address	You can set the IPv6 address types.
DHCPv6 Configuration	You can set the DHCPv6 configuration.
DHCP Unique Identifier	Show the DHCP Unique Identifier.
802.1x	You can enable/disable 802.1x Security.
802.1x Authentication Method	You can select the authentication algorithm to use.
DHCP Identity Association Identifier	Show the DHCP Identity Association Identifier.

TCP/IPv4

You can set IPv4 settings.


- **IP Setting:** You can choose the method for allocating IP addresses.
 - **Static:** Select to enter IP address/Subnet Mask/ Gateway Address manually.
 - **BOOTP:** IP address/Subnet Mask/ Gateway Address are automatically allocated by the BOOTP Server.
 - **DHCP:** IP address/Subnet Mask/ Gateway Address are automatically allocated by the DHCP Server.

Network Settings

- **DNS Configuration:** You can configure the DNS server.
 - **Host Name:** Enter the host name. You can enter up to 63 characters. Default name is “**SEC[MAC address]**”.
 - **Domain Name:** Enter the domain name. You can enter up to 128 characters.
 - **Primary DNS Server:** Enter the address of the DNS server you want to use primarily.
 - **Secondary DNS Server:** Enter the address of the DNS server you want to use as an alternative.
 - **Dynamic DNS Registration:** If you want to use, check the checkbox(es) of dynamic DNS registration. If this option is checked, the machine registers its host name and domain name to configured DNS servers dynamically. Also, if this option is checked and DHCP is selected, DHCP FQDN options are automatically disabled.
- **WINS:** You can configure the WINS server. WINS is used in the Windows operating system. Select this option.
- **Display IP Address:** You can set the machine to display the IP address on the Notification Bar. If you select this option the IP address will show on the Notification Bar.

TCP/IPv6

You can set the IPv6 settings.

- **Protocol:** Tap to use IPv6 protocol in the system. Reboot the machine to apply the change.
 - **IPv6 Address:** Shows the IPv6 address types.
 - **Link-local Address:** This is an IPv6 address starting with a prefix value FE80. This address has local link scope and is automatically generated.
 - **Stateless Address:** This is an IPv6 address which is formed by router advertised prefix and interface identifier. On a interface like Ethernet, interface identifier is usually derived from the Mac address of the machine. The advertised prefix depends on the router configurations.
-  More than one address may be configured for the router advertisement, but only one will be displayed in the display screen.
- **Stateful Address:** This is an IPv6 address which is acquired by a DHCPv6 server.
 - **Manual Address:** This is an IPv6 address which an administrator can configure manually.
- **DHCPv6 Configuration:** Select the DHCPv6 configuration you want to use.
 - **Use DHCP as directed by a router:** DHCPv6 is enabled when a router advertises to use DHCPv6.
 - **Always Enable DHCP:** Regardless of router advertisement, use DHCPv6 to acquire an IPv6 address.

Network Settings

- **Never use DHCP:** Disables DHCPv6.
- **DHCP Unique Identifier:** Show the DHCP Unique Identifier.
- **DHCP Identity Association Identifier:** Show the DHCP Identity Association Identifier.

802.1x

You can enable 802.1x authentication, which is a port-based authentication. If this authentication is enabled, the machine is not allowed to access through the protected side of the network until the machine is authorized. Use this feature to protect your network.

- **802.1x:** Check to enable this feature.
- **802.1x Authentication Method:** Select the authentication algorithm to use.
 - **EAP-MD5:** Offers minimal security. The MD5 hash function is vulnerable to dictionary attacks, and does not support key generation.
 - **PEAP:** Recommended for users who only intend to use Microsoft desktop clients and servers. For other users, it is not recommended.
 - **EAP-MS-CHAPv2:** MS-CHAPv2 provides two-way authentication between peers by combining a peer Challenge message with the Response packet and an authenticator Response message on the Success packet.
 - **TLS:** This is used to provide secure communication over the Internet between a client and server.

Network Protocol

You can enable/disable what you want functions as below list.

Feature	Description
Standard TCP/IP	You can enable/disable each functions.
LPR	
IPP	
FTP	
ThinPrint	
CIFS	
HTTP	
SNMPv1/v2	
SNMPv3	
SNTP	
UPnP(SSDP)	
mDNS	
SetIP	
SLP	
Telnet	

Network Settings

Network Security





You can enable and configure these options in SyncThru™ Web Service only(see "Security tab" on page 186).

Feature	Description
IPSec	You can disable IPSec if it is turned on in SyncThru™ Web Service.
Network Filtering	You can disable the network filtering options if it is turned on in SyncThru™ Web Service.

- **IPSec:** You can disable IP security settings.
- **Network Filtering**
 - **MAC Filtering** : Disable MAC filtering.
 - **IPv4 Filtering** : Disable IPv4 filtering.
 - **IPv6 Filtering** : Disable IPv6 filtering.

System



- Some menus may not appear on the display depending on options or models. If so, it is not applicable to your machine.
- Click the  (**Help**) from the home screen or  (quick menu) and then click on any option you want to know about.

Date and Time

When you set the time and date, it will be used for sending/printing delayed fax/print jobs or will be printed on reports. However, if they are not correct, you need to change it to the correct time.

About System

You can see the hardware configuration, system capabilities, and software version of the machine.

Machine Details

You can check the detailed machine information. Check the status of installed hardware and software versions to help you maintain the machine. You can download the latest software from the Samsung website (<http://www.hp.com/go/Samsung>).

- **H/W Configuration:** Shows the status of installed hardware including optional parts .
- **Capabilities:** Shows the capabilities of the hardware.
- **Software Versions:** Shows the software versions of the systems installed.

Accessibility

Allows you to configure the machine to make it easier to use. In this menu, you can change various sound, interaction, and display options so that the machine is more accessible to users.

Contact Information

This feature allows you to view the service center's information and contact point where users can get help. If you log in as an administrator, you can change the contact information.

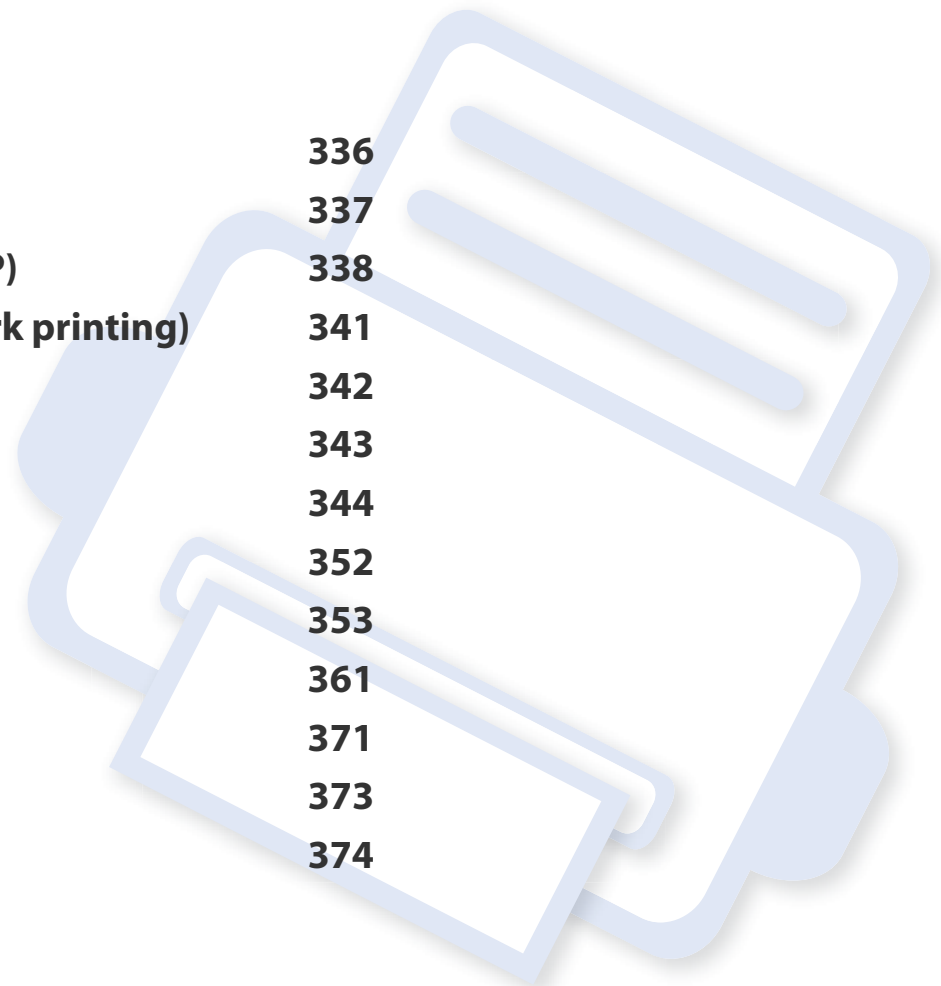
- **System Administrator:** Check the contact information of the administrator.
- **Samsung Support:** Check the information of the service center.



3. Network Setup

This chapter gives you step-by-step instructions for setting up the network environment before using the machine. You can set up the network environment using the **Network Settings** menu under the **Settings** menu. You need to be familiar with the terms used for setting up the network environment. Refer to the glossary for terms you do not understand ("Glossary" on page 396).

- **Network environment** 336
- **Accessing network setup** 337
- **Network settings (configuring TCP/IP)** 338
- **Print settings (Ports to set for network printing)** 341
- **Set Protocols** 342
- **Network filtering settings** 343
- **Installing driver over the network** 344
- **Supported Mobile Apps** 352
- **Wireless network setup (Optional)** 353
- **Using the NFC feature (Optional)** 361
- **Mopria™** 371
- **AirPrint** 373
- **Google Cloud Print™** 374



Network environment

You can use network after connecting network cable to a corresponding port on your machine.

You need to set up the network protocols on the machine to use it as your network machine. You can set up the basic network settings through the machine's control panel.

The following table shows the network environments supported by the machine:

Item	Specification
Network interface	Ethernet 10/100/1000 Base-T
Network operating system	<ul style="list-style-type: none">• Windows® XP, Windows Server® 2003, Windows Vista®, Windows® 7, Windows 8, Windows Server® 2008 R2• Various Linux OS• Various Unix OS• Mac OS X 10.5 ~ 10.10• Novell NetWare 5.x ~ 6.x

Item	Specification
Network protocols	<ul style="list-style-type: none">• TCP/IPv4• DHCP, BOOTP• DNS, WINS, Bonjour, SLP, UPnP• Standard TCP/IP Printing (RAW), LPR, IPP• FTP, SMB, SMTP, WSD• LDAP, Kerberos, 802.1x• SNMPv 1/2/3, HTTP, IPSec• TCP/IPv6 (DHCP, DNS, RAW, LPR, SNMPv 1/2/3, HTTP, IPSec)

Accessing network setup

- 1 Make sure that the ethernet cable is connected to your machine.
- 2 Tap **Settings** > **Network Settings** > **Ethernet** from the home screen or **Apps**.
- 3 Log-in as an administrator (see "Log-in" on page 311).

Network settings (configuring TCP/IP)

When you connect your machine to a network, you must first configure the TCP/IP settings for the machine. The settings shown below are the basic settings required for using your machine as a network machine. You can set TCP/IP, DNS server, TCP/IPv6, Ethernet, and IP address allocation methods.

Ethernet

You can set ethernet settings.

Tap **Settings** > **Network Settings** > **Ethernet** from the home screen or **Apps**.



You can also use this feature from the SyncThru™ Web Service. Open the Web browser from your networked computer and type the IP address of your machine (see "Settings tab" on page 185).

- **Ethernet Port:** You can enable/disable ethernet port.
- **Ethernet Speed:** Choose the speed rate of ethernet.
- **MAC Address:** Shows the Mac address of the machine.

TCP/IP Protocol

You can set IPv4 settings.

Tap **Settings** > **Network Settings** > **Ethernet** > **TCP/IPv4** from the home screen or **Apps**.



You can also use this feature from the SyncThru™ Web Service. Open the Web browser from your networked computer and type the IP address of your machine (see "Settings tab" on page 185).

IP Setting

You can choose the method for allocating IP addresses.

- **Static:** Select to enter IP address/Subnet Mask/ Gateway Address manually.
- **BOOTP:** IP address/Subnet Mask/ Gateway Address are automatically allocated by the BOOTP Server.
- **DHCP:** IP address/Subnet Mask/ Gateway Address are automatically allocated by the DHCP Server.

Network settings (configuring TCP/IP)

DNS Configuration

You can configure the DNS server.

- **Host Name:** Enter the host name. You can enter up to 63 characters. Default name is "SEC[MAC address]".
- **Domain Name:** Enter the domain name. You can enter up to 128 characters.
- **Primary DNS Server:** Enter the address of the DNS server you want to use primarily.
- **Secondary DNS Server:** Enter the address of the DNS server you want to use as an alternative.
- **Dynamic DNS Registration:** If you want to use, check the checkbox(es) of dynamic DNS registration. If this option is checked, the machine registers its host name and domain name to configured DNS servers dynamically. Also, if this option is checked and DHCP is selected, DHCP FQDN options are automatically disabled.

WINS (Windows Internet Name Service)

You can configure the WINS server. WINS is used in the Windows operating system. Select this option.

Display IP address

You can set the machine to display the IP address on the Notification Bar. If you select this option the IP address will show on the Notification Bar.

TCP/IPv6

You can set the IPv6 settings.

Tap **Settings > Network Settings > Ethernet > TCP/IPv6** from the home screen or **Apps**.



You can also use this feature from the SyncThru™ Web Service. Open the Web browser from your networked computer and type the IP address of your machine (see "Settings tab" on page 185).

- **Protocol:** Tap to use IPv6 protocol in the system. Reboot the machine to apply the change.
- **IPv6 Address:** Shows the IPv6 address types.
 - **Link-local Address:** This is an IPv6 address starting with a prefix value FE80. This address has local link scope and is automatically generated.
 - **Stateless Address:** This is an IPv6 address which is formed by router advertised prefix and interface identifier. On a interface like Ethernet, interface identifier is usually derived from the Mac address of the machine. The advertised prefix depends on the router configurations.



More than one address may be configured for the router advertisement, but only one will be displayed in the display screen.

Network settings (configuring TCP/IP)

- **Stateful Address:** This is an IPv6 address which is acquired by a DHCPv6 server.
- **Manual Address:** This is an IPv6 address which an administrator can configure manually.
- **DHCPv6 Configuration:** Select the DHCPv6 configuration you want to use.
 - **Use DHCP as directed by a router:** DHCPv6 is enabled when a router advertises to use DHCPv6.
 - **Always Enable DHCP:** Regardless of router advertisement, use DHCPv6 to acquire an IPv6 address.
 - **Never use DHCP:** Disables DHCPv6.

802.1x

You can enable 802.1x authentication, which is a port-based authentication. If this authentication is enabled, the machine is not allowed to access through the protected side of the network until the machine is authorized. Use this feature to protect your network.

Tap **Settings > Network Settings > Ethernet > 802.1x** from the home screen or **Apps**.

- **802.1x :** Check to enable this feature.
- **802.1x Authentication Method:** Select the authentication algorithm to use.
 - **EAP-MD5:** Offers minimal security. The MD5 hash function is vulnerable to dictionary attacks, and does not support key generation.
 - **PEAP:** Recommended for users who only intend to use Microsoft desktop clients and servers. For other users, it is not recommended.
 - **EAP-MS-CHAPv2:** MS-CHAPv2 provides two-way authentication between peers by combining a peer Challenge message with the Response packet and an authenticator Response message on the Success packet.
 - **TLS:** This is used to provide secure communication over the Internet between a client and server.

Print settings (Ports to set for network printing)

You can set the ports to use when printing. If you want to print though the network, you need to select the following ports.

Tap **Settings** > **Management** > **Report** > **Network Configuration** from the home screen or **Apps** then tap **Print**.



You can also use this feature from the SyncThru™ Web Service. Open the Web browser from your networked computer and type the IP address of your machine (see "Settings tab" on page 185).

Set Protocols

You can enable/disable the protocols (**Standard TCP/IP**, **LPR**, **IPP**, **ThinPrint**, **CIFS**, **SNTP** (Simple Network Time Protocol), **SLP** (Service Location Protocol), **Telnet**, **SNMP V1/V2** (Simple Network Management Protocol), **SNMPv3**, **UPnP(SSDP)** Protocol, and **mDNS** (Multicast Domain Name System), **SetIP**, and **HTTP**).



You can also use this feature from the SyncThru™ Web Service. Open the Web browser from your networked computer and type the IP address of your machine (see "Settings tab" on page 185).

Network filtering settings

You can set your machine to prevent unlisted IP or MAC addresses from connecting to the machine.

You can set general network filtering settings.

Tap **Settings** > **Network Settings** > **Network Security** > **Network Filtering** from the home screen or **App**.



You can also use this feature from the SyncThru™ Web Service. Open the Web browser from your networked computer and type the IP address of your machine (see "Settings tab" on page 185).

- **MAC Filtering:** Disable MAC filtering.
- **IPv4 Filtering:** Disable IPv4 filtering.
- **IPv6 Filtering:** Disable IPv6 filtering.

Installing driver over the network

You must install the printer driver software for printing. The software includes drivers, applications, and other support programs.

Make sure that the network setup for your machine is completed. All applications should be closed on your computer before beginning installation.

Windows

- 1 Make sure that the machine is connected to the network and powered on. Also, your machine's IP address should have been set.
- 2 Insert the supplied software CD into your CD-ROM drive.



If the installation window does not appear, click **Start** > **All programs** > **Accessories** > **Run**.

X:\Setup.exe replacing "X" with the letter, which represents your CD-ROM drive and click **OK**.

- For Windows 8,
If the installation window does not appear, from **Charms**, select **Search** > **Apps** and search for **Run**. Type in X:\Setup.exe, replacing "X" with the letter that represents your CD-ROM drive and click **OK**.
If "Tap to choose what happens with this disc." pop-up window appears, click the window and select **Run Setup.exe**.

- 3 Review and accept the installation agreements in the installation window. Then, click **Next**.
- 4 Select **Network** on the **Printer Connection Type** screen. Then, click **Next**.
- 5 Follow the instructions in the installation window.

From the Windows 8 Start Screen




- The V4 driver is automatically downloaded from the Windows Update if your computer is connected to the Internet. If not, you can manually download the V4 driver from Samsung website, <http://www.hp.com/go/Samsung>.
- You can download **Samsung Printer Experience** app from the Windows Store. You need have a Microsoft account to use the Windows Store.
 - a From **Charms**, select **Search**.
 - b Click **Store**.
 - c Search and click **Samsung Printer Experience**.
 - d Click **Install**.

Installing driver over the network

- If you install the driver using the supplied software CD, V4 driver is not installed. If you want to use the V4 driver in the **Desktop** screen, you can download from the Samsung website, <http://www.hp.com/go/Samsung>.
- If you want to install Samsung's printer management tools, you need to install them using the supplied software CD.

- 1 Make sure that the machine is connected to the network and powered on. Also, your machine's IP address should have been set.
- 2 From **Charms**, select **Settings > Change PC settings > Devices**.
- 3 Click **Add a device**.
Discovered machines will be shown on the screen.
- 4 Click the model name or host name you wish to use.

 You can print a Network Configuration Report from the machine's control panel that will show the current machine's host name.

- 5 The driver is automatically installed from the **Windows Update**.

Silent installation Mode

Silent installation mode is an installation method that does not require any user intervention. Once you start the installation, the machine driver and software are automatically installed on your computer. You can start the silent installation by typing **/s** or **/S** in the command window.

Command-line Parameters


Following table shows commands that can be used in the command window.




Following command-line are effective and operated when command is used with **/s** or **/S**. But **/h**, **/H** or **/?** are exceptional commands that can be operated solely.

Command- line	Definition	Description
/s or /S	Starts silent installation.	Installs machine drivers without prompting any UIs or user intervention.

Installing driver over the network

Command- line	Definition	Description
<code>/p"<port name>"</code> or <code>/P"<port name>"</code>	Specifies printer port.  Network Port will be created by use of Standard TCP/IP Port monitor. For local port, this port must exist on system before being specified by command.	Printer port name can be specified as IP address, hostname, USB local port name, IEEE1284 port name or network path. For example: <ul style="list-style-type: none"> <code>/p"xxx.xxx.xxx.xxx"</code> in where, "xxx.xxx.xxx.xxx" means IP address for network printer. / <code>p"USB001"</code>, /<code>P"LPT1:"</code>, / <code>p"hostname"</code> / <code>p"\\computer_name\shared_printer"</code> or <code>"\\xxx.xxx.xxx.xxx\shared_printer"</code> in where, <code>"\\computer_name\shared_printer"</code> or <code>"\\xxx.xxx.xxx.xxx\shared_printer"</code> means the network path to the printer by entering two slashes, the computer name or local IP address of the PC sharing the printer, and then the share name of the printer.

Command- line	Definition	Description
<code>/a"<dest_path>"</code> or <code>/A"<dest_path>"</code>	Specifies destination path for installation.  The destination path should be a fully qualified path.	Since machine drivers should be installed on the OS specific location, this command applies to only application software.
<code>/n"<Printer name>"</code> or <code>/N"<Printer name>"</code>	Specifies printer name. Printer instance shall be created as specified printer name.	With this parameter, you can add printer instances as your wishes.
<code>/nd</code> or <code>/ND</code>	Commands not to set the installed driver as a default machine driver.	It indicates installed machine driver will not be the default machine driver on your system if there are one or more printer drivers installed. If there is no installed machine driver on your system, then this option won't be applied because Windows OS will set installed printer driver as a default machine driver.

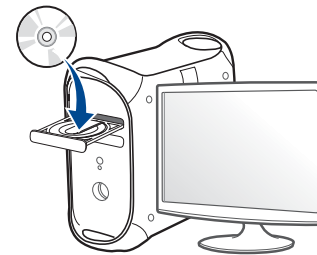
Installing driver over the network

Command- line	Definition	Description
/x or /X	Uses existing machine driver files to create printer instance if it is already installed.	This command provides a way to install a printer instance that uses installed printer driver files without installing an additional driver.
/up"<printer name>" or /UP"<printer name>"	Removes only specified printer instance and not the driver files.	This command provides a way to remove only specified printer instance from your system without effecting other printer drivers. It will not remove printer driver files from your system.
/d or /D	Uninstalls all device drivers and applications from your system.	This command will remove all installed device drivers and application software from your system.
/v"<share name>" or /V"<share name>"	Shares installed machine and add other available platform drivers for Point & Print.	It will install all supported Windows OS platform's machine drivers to system and share it with specified <share name> for point and print.
/o or /O	Opens Printers and Faxes folder after installation.	This command will open Printers and Faxes folder after the silent installation.

Command- line	Definition	Description
/h, /H or /?		Shows Command-line Usage.

Mac

- 1 Make sure that the machine is connected to your network and powered on.
- 2 Insert the supplied software CD into your CD-ROM drive.



- 3 Double-click the CD-ROM icon that appears on your Mac desktop.
 - For Mac OS X 10.8 or higher, Double-click the CD-ROM that appears on Finder.
- 4 Double-click the **MAC_Installer** folder > **Installer OS X** icon.
- 5 Click **Continue**.

Installing driver over the network

- 6 Read the license agreement and click **Continue**.
- 7 Click **Agree** to agree to the license agreement.
- 8 Click **Install**. All components necessary for machine operations will be installed.
If you click **Customize**, you can choose individual components to install.
- 9 Enter the password and click **OK**.
- 10 Select **Network Connected Printer(Wired or Wireless)** on the **Printer Connection Type** and click **Continue**.
- 11 Click **Add Printer** button to select your printer and add it to your printer list.
- 12 Click **IP** and Select HP Jetdirect - Socket in Protocol.
- 13 Enter the machine's IP address in the Address input field.
- 14 Enter the queue name in the Queue input field. If you cannot determine the queue name for your machine server, try using the default queue first.
- 15 if Auto Select does not work properly, choose Select Printer Software and your machine name in Print Using.
- 16 Click **Add**.
- 17 Click **Continue**.

- 18 After the installation is finished, click **Close**.

Linux

You need to download Linux software packages from the Samsung website to install the printer software (<http://www.hp.com/go/Samsung>).

- 1 Make sure that the machine is connected to your network and powered on. Also, your machine's IP address should have been set.
- 2 Copy **Unified Linux Driver** package to your system.
- 3 Open Terminal program and go to the folder that you copied the package to.
- 4 Extract the package.
- 5 Move to **uld** folder.
- 6 Execute "**./install.sh**" command (If you are not logged in as root, execute the command with "**sudo**" as "**sudo ./install.sh**").
- 7 Proceed with installation.

Installing driver over the network

- 8 When installation finished, launch **Printing** utility (Go to **System > Administration > Printing** or execute "**system-config-printer**" command in Terminal program).
- 9 Click **Add** button.
- 10 Select **AppSocket/HP JetDirect** and enter your machine's IP address.
- 11 Click **Forward** button and add it to your system.

UNIX



- Make sure your machine supports the UNIX operating system before installing the UNIX printer driver (see "Operating System" on page 8).
- The commands are marked with "", when typing the commands, do not type "".
- Some features and optional goods may not be available depending on model or country (see "Operating System" on page 8).

To use the UNIX printer driver, you have to install the UNIX printer driver package first, then setup the printer. You can download the UNIX printer driver package from the Samsung website (<http://www.hp.com/go/Samsung>).

Installing the UNIX printer driver package

The installation procedure is common for all variants of UNIX OS mentioned.

- 1 From the Samsung website, download and unpack the UNIX Printer Driver package to your computer.
- 2 Acquire root privileges.
"**su -**"
- 3 Copy the appropriate driver archive to the target UNIX computer.



See administration guide of your UNIX OS for details.

- 4 Unpack the UNIX printer driver package.
For example, on IBM AIX, use the following commands.
"**gzip -d < enter the package name | tar xf -**"
- 5 the unpacked directory.
- 6 Run the install script.
"**./install -i**"

install is the installer script file which is used to install or uninstall the UNIX Printer Driver package.

Use "**chmod 755 install**" command to give the permission to the installer script.

Installing driver over the network

- 7 Execute the `./install -c` command to verify installation results.
- 8 Run `installprinter` from the command line. This will bring up the **Add Printer Wizard** window. Setup the printer in this window referring to the following procedures.



On some UNIX OS, for example on Solaris 10, just added printers may not be enabled and/or may not accept jobs. In this case run the following two commands on the root terminal:

```
"accept <printer_name>"
```

```
"enable <printer_name>"
```

Uninstalling the printer driver package



The utility should be used to delete the printer installed in the system.

- a Run `uninstallprinter` command from the terminal.
It will open the **Uninstall Printer Wizard**.
The installed printers are listed in the drop-down list.
- b Select the printer to be deleted.
- c Click **Delete** to delete the printer from the system.
- d Execute the `./install -d` command to uninstall the whole package.
- e To verify removal results, execute the `./install -c` command.

To re-install it, use the command `./install -i` to reinstall the binaries.

Setting up the printer

To add the printer to your UNIX system, run `installprinter` from the command line. This will bring up the Add Printer Wizard window. Setup the printer in this window according to the following steps:

- 1 Type the name of the printer.
- 2 Select the appropriate printer model from the model list.
- 3 Enter any description corresponding to the type of the printer in the **Type** field. This is optional.
- 4 Specify any printer description in the **Description** field. This is optional.
- 5 Specify the printer location in the **Location** field.
- 6 Type the IP address or DNS name of the printer in the **Device** textbox for network-connected printers. On IBM AIX with **jetdirect Queue type**, only the DNS name is possible-numeric IP address is not allowed.
- 7 **Queue type** shows the connection as **lpd** or **jetdirect** in the corresponding list box. Additionally, **usb** type is available on Sun Solaris OS.
- 8 Select **Copies** to set the number of copies.
- 9 Check the **Collate** option to receive copies already sorted.
- 10 Check the **Reverse Order** option to receive copies in the reverse order.

Installing driver over the network

- 11 Check the **Make Default** option to set this printer as default.
- 12 Click **OK** to add the printer.

Supported Mobile Apps

Available Apps

- **Samsung Mobile Print:** **Samsung Mobile Print** is a free application that enables users to print, scan(Only users with the machine supports scan), or fax(Only users with the machine supports fax) photos, documents, and web pages directly from your smartphone or tablet. **Samsung Mobile Print** is not only compatible with your Android and iOS smart phones but also with your iPod Touch and tablet PC. It connects your mobile device to a network connected Samsung printer or to a wireless printer through a Wi-Fi access point. Installing a new driver or configuring network settings isn't necessary – just simply install the **Samsung Mobile Print** application, and it will automatically detect compatible Samsung printers. Besides printing photos, web pages, and PDFs, scanning is also supported. If you have a Samsung multifunction, scan any document into a JPG, PDF, or PNG format for quick and easy viewing on your mobile device (see "Using the Samsung Mobile Print App" on page 367).
- **Samsung Mobile Print Pro:** Helps users to get an authentication easily. This app provides one way of getting a user authentication using your mobile device (see "Using the Samsung Mobile Print Pro App" on page 362).
- **Samusng Mobile Print Manager:** Enables users to use cloning and wireless setup features using your mobile device (see "Using the Samsung Mobile Print Manager App" on page 364).

Downloading Apps

To download apps, go to the application store (Play Store, App Store) on your mobile device, and just search for "**Samsung Mobile Print /Samsung Mobile Print Pro/Samusng Mobile Print Manager.**" You can also visit iTunes for Apple devices on your computer.

- **Samsung Mobile Print**
 - **Android:** Search for **Samsung Mobile Print** from Play Store, and then download the app.
 - **iOS:** Search for **Samsung Mobile Print** from App Store, and then download the app.
- **Samsung Mobile Print Pro/Samusng Mobile Print Manager**
 - **Android:** Search for **Samsung Mobile Print Pro** or **Samusng Mobile Print Manager** from Play Store, and then download the app.

Supported Mobile OS

- **Samsung Mobile Print**
 - Android OS 2.3 or higher
 - iOS 5.0 or higher
- **Samsung Mobile Print Pro/Samusng Mobile Print Manager**
 - NFC and Wi-Fi Direct enabled, supported mobile apps installed mobile device with Android 4.0 or higher

Wireless network setup (Optional)



- If you want to add wireless feature to the machine, check the option lists and contact the purchasing point to order (see "Available accessories" on page 212). When you purchase a Wireless/NFC kit (Wireless LAN Option), install the kit by following the steps described in the Wireless Kit (Wireless LAN Option) Guide which is enclosed in the kit. After installing the Wireless Kit (Wireless LAN Option), set the machine to use this feature.
- Make sure your machine supports wireless networking. Wireless networking may not be available depending on the model (see "Features by model" on page 8).

Wireless networks require higher security, so when an access point is first set up, a network name (SSID), the type of security used, and a Network Password are created for the network. Ask your network administrator about this information before proceeding with the machine installation.

Introducing wireless set up methods

You can set wireless settings either from the machine or the computer. Choose the setting method from the below table.



- Some wireless network installation types may not be available depending on the model or country.
- It is strongly recommended that you set the password on Access Points. If you do not set the password on Access Points, they might be exposed to illegal access from unknown machines including PCs, smart phones and printers. Refer to the Access Point user' guide for password settings.

Set up method	Connecting method	Description & Reference
With Access Point	From the computer	See "Using a network cable" on page 356.
	From the machine's control panel	See "Using the WPS Settings menu" on page 354. See "Using the Wi-Fi Networks" on page 356.
Wi-Fi Direct setup		See "Setting the Wi-Fi Direct for mobile printing" on page 358.

Wireless network setup (Optional)

Using the WPS Settings menu

If your machine and access point (or wireless router) support Wi-Fi Protected Setup™ (WPS), then you can easily configure the wireless network settings through the **WPS Settings** menu without the need for a computer.



- If you want to use the wireless network using the infrastructure mode, make sure that the network cable is disconnected from the machine. Using the **WPS (PBC)** button or entering the PIN from the computer to connect to the access point (or wireless router) varies depending on the access point (or wireless router) you are using. Refer to the user's guide of the access point (or wireless router) you are using.
- When using the WPS button to set the wireless network, security settings may change. To prevent this, lock the WPS option for the current wireless security settings. The option name may differ depending on the access point (or wireless router) you are using.

Items to prepare

- Check if the access point (or wireless router) supports Wi-Fi Protected Setup™ (WPS).
- Check if your machine supports Wi-Fi Protected Setup™ (WPS).
- Networked computer (PIN mode only)

Choosing your type

There are two methods available to connect your machine to a wireless network.

- The **Push Button Configuration (PBC)** method allows you to connect your machine to a wireless network by pressing both the **WPS Settings** menu on the control panel of your machine and the WPS (PBC) button on a Wi-Fi Protected Setup™ WPS-enabled access point (or wireless router) respectively.
- The **Personal Identification Number (PIN)** method helps you connect your machine to a wireless network by entering the supplied PIN information on a Wi-Fi Protected Setup™ WPS-enabled access point (or wireless router).


Wireless network setup (Optional)

Connecting WPS

Factory default in your machine is **PBC** mode, which is recommended for a typical wireless network environment.

Connecting in PBC mode


- 1 Tap **Settings > Network Settings > Wi-Fi** from the home screen or **App**.
- 2 Type in the **ID** and **Password**.
Use the same login ID, Password, Domain as when logging in from the machine (see "Log-in" on page 311).

 If you want to create a new user or change the password, see "Security tab" on page 186.

- 3 Tap **WPS Settings > Connect via PBC**.
- 4 Press the **WPS (PBC)** button on the access point (or wireless router).
- 5 Follow the instruction on the display screen.
The messages are displayed on the display screen

Connecting in PIN mode

- 1 Tap **Settings > Network Settings > Wi-Fi** from the home screen or **App**.
- 2 Type in the **ID** and **Password**.
Use the same login ID, Password, Domain as when logging in from the machine (see "Log-in" on page 311).

 If you want to create a new user or change the password, see "Security tab" on page 186.

- 3 Tap **WPS Settings > Connect via PIN**.
- 4 The eight-digit PIN appears on the display.
You need to enter the eight-digit PIN within two minutes on the computer that is connected to the access point (or wireless router).
- 5 Follow the instruction on the display screen.
The messages are displayed on the display screen

Wireless network setup (Optional)

Using the Wi-Fi Networks

Before starting, you will need to know the network name (SSID) of your wireless network and the network key if it is encrypted. This information was set when the access point (or wireless router) was installed. If you do not know about your wireless environment, please ask the person who set up your network.

- 1 Tap **Settings > Network Settings > Wi-Fi** from the home screen or **App**.
- 2 The machine will display a list of available networks from which to choose. After a network is chosen then printer will prompt for the corresponding security key.
- 3 Select the Wi-Fi network option you want.

Using a network cable



See your network administrator, or the person that set up your wireless network, for information about your network configuration.

Your machine is a network compatible machine. To enable your machine to work with your network, you will need to perform some configuration procedures.

Items to prepare

- Access point
- Network-connected computer
- Software CD that was provided with your machine
- A machine installed with a wireless network interface
- Network cable

Printing a network configuration report

You can identify the network settings of your machine by printing a network configuration report.

See "Ethernet" on page 330.

IP setting using SetIP Program (Windows)

This program is used to manually set the network IP address of your machine using its MAC address to communicate with the machine. The MAC address is the hardware serial number of the network interface and can be found in the **Network Configuration Report**.

See "Network settings (configuring TCP/IP)" on page 338.

Wireless network setup (Optional)

Configuring the machine's wireless network

Before starting you will need to know the network name (SSID) of your wireless network and the network key if it is encrypted. This information was set when the access point (or wireless router) was installed. If you do not know about your wireless environment, please ask the person who set up your network.

To configure wireless parameters, you can use **SyncThru™ Web Service**.

Using SyncThru™ Web Service

Before starting wireless parameter configuration, check the cable connection status.

- 1 Check whether or not the network cable is connected to the machine. If not, connect the machine with a standard network cable.
- 2 Start a web browser such as Internet Explorer, Safari, or Firefox and enter your machine's new IP address in the browser window.

For example,



- 3 Click **Login** on the upper right of the SyncThru™ Web Service website.
- 4 Type in the **ID** and **Password**.

Use the same login ID, Password, Domain as when logging in from the machine (see "Log-in" on page 311).

- 5 When the **SyncThru™ Web Service** window opens, click **Network Settings**.
- 6 Click **Wi-Fi > Wizard**.
- 7 Select the one **Network Name(SSID)** in the list.
- 8 Click **Next**.
If the wireless security setting window appears, enter the registered password (network password) and click **Next**.
- 9 The confirmation window appears, please check your wireless setup. If the setup is right, click **Apply**.

Turning the Wi-Fi network on/off

- 1 Check whether the network cable is connected to the machine. If not, connect the machine with a standard network cable.
- 2 Start a web browser such as Internet Explorer, Safari, or Firefox and enter your machine's new IP address in the browser window.

For example,



- 3 Click **Login** on the upper right of the SyncThru™ Web Service website.

Wireless network setup (Optional)

4 Type in the **ID** and **Password**.

Use the same login ID, Password, Domain as when logging in from the machine (see "Log-in" on page 311).



If you want to create a new user or change the password, see "Security tab" on page 186.

5 When the **SyncThru™ Web Service** window opens, click **Network Settings**.

6 Click **Wi-Fi**.

7 You can turn the Wi-Fi network on/off.

Setting the Wi-Fi Direct for mobile printing

Wi-Fi Direct is a secure and easy-to-use peer-to-peer connection between a Wi-Fi Direct-enabled printer and mobile device.

With Wi-Fi Direct, you can connect your printer to a Wi-Fi Direct network while concurrently connecting to an access point. You can also use a wired network and a Wi-Fi Direct network simultaneously so multiple users can access and print documents both from Wi-Fi Direct and from a wired network.



- You cannot connect your mobile device to the internet through the printer's Wi-Fi Direct.
- The supported protocol list may differ from your model, Wi-Fi Direct networks do NOT support IPv6, network filtering, IPSec, WINS, and SLP services.
- The maximum number of devices that can be connected via Wi-Fi Direct is 4.

Setting up Wi-Fi Direct

You can enable Wi-Fi Direct feature by one of the following methods.

From the machine

1 Tap **Settings** > **Network Settings** > **Wi-Fi** from the home screen or **App**.

2 Type in the **ID** and **Password**.

Use the same login ID, Password, Domain as when logging in from the machine (see "Log-in" on page 311).



If you want to create a new user or change the password, see "Security tab" on page 186.

3 Tap **Wi-Fi Direct**.

4 Enable **Wi-Fi Direct**.

Wireless network setup (Optional)

From the network-connected computer

If your printer is using a network cable or a wireless access point, you can enable and configure Wi-Fi Direct from SyncThru™ Web Service.

- 1 Access **SyncThru™ Web Service** and select **Settings > Network Settings > Wi-Fi > Wi-Fi Direct™**.
- 2 Enable **Wi-Fi Direct™** and set other options.

Setting up the mobile device

- After setting up Wi-Fi Direct from the printer, refer to the user manual of the mobile device you are using to set its Wi-Fi Direct.
- After setting up Wi-Fi Direct, you need to download the mobile printing application (For example: Samsung Mobile printer) to print from your smartphone.



- When you have found the printer you want to connect to from your mobile device, select the printer and the printer's LED will blink. Press the WPS button on the printer and it will be connected to your mobile device.
- If your mobile device does not support Wi-Fi Direct, you need to enter the "Network Key" of a printer instead of pushing the WPS button.

Troubleshooting for wireless network

If problems occur while using the machine on a network, check the following:



For information on the access point (or wireless router), refer to its own user's guide.

- Your computer, access point (or wireless router), or machine may not be turned on.
- Check the wireless reception around the machine. If the router is far from the machine or there is an obstacle, you might have difficulty receiving the signal.
- Cycle the power for the access point (or wireless router), machine, and computer. Sometimes cycling the power can recover network communication.
- Check whether firewall software (V3 or Norton) is blocking the communication.
If the computer and the machine are connected on the same network and it cannot be found when searching, firewall software might be blocking the communication. Refer to the user's guide for the software to turn it off and try searching for the machine again.
- Check whether the machine's IP address is allocated correctly. You can check the IP address by printing the network configuration report.

Wireless network setup (Optional)

- Check whether the access point (or wireless router) has a configured security (password). If it has a password, refer to the access point (or wireless router) administrator.
- Check the machine's IP address. Reinstall the machine driver and change the settings to connect to the machine on the network. Due to the characteristics of DHCP, the allocated IP address could change if the machine is not used for a long time or if the access point has been reset.

Register the product's MAC address when you configure the DHCP server on the access point (or wireless router). Then you can always use the IP address that is set with the MAC address. You can identify the Mac address of your machine by printing a network configuration report.

- Check the wireless environment. You might not be able to connect to the network in the infrastructure environment where you need to type in a user's information before connecting to the access point (or wireless router).
- This machine only supports IEEE 802.11 b/g/n and Wi-Fi. Other wireless communication types (e.g., Bluetooth) are not supported.
- The machine is within the range of the wireless network.
- The machine is located away from obstacles that could block the wireless signal.

Remove any large metal objects between the access point (or wireless router) and the machine.

Make sure the machine and wireless access point (or wireless router) are not separated by poles, walls, or support columns containing metal or concrete.

- The machine is located away from other electronic devices that may interfere with the wireless signal.
Many devices can interfere with the wireless signal, including a microwave oven and some Bluetooth devices.
- Whenever the configuration of your access point (or wireless router) changes, you must do the product's wireless network setup again.
- The maximum number of devices that can be connected via Wi-Fi Direct is 4.

Using the NFC feature (Optional)



If you want to add NFC feature to the machine, check the option lists and contact the purchasing point to order (see "Available accessories" on page 212). When you purchase a Wireless/NFC Kit (Wireless LAN Option), install the kit by following the steps described in the Wireless/NFC Kit (Wireless LAN Option) Guide which is enclosed in the kit. After installing the Wireless Kit (Wireless LAN Option), set the machine to use this feature.

The NFC (Near Field Communication) printer allows you to directly print/scan/fax from your mobile device just by holding your mobile device over the NFC tag on Wireless/NFC Kit (Wireless LAN Option). It does not require installing print driver or connecting to an access point. You just need NFC supported mobile device. In order to use this feature, mobile apps needs to be installed on your mobile device.



- Depending on the material of the mobile device cover, NFC recognition may not work properly.
- Depending on the mobile device you are using, the transmission speed may differ.
- This feature is available only for the model with a NFC tag (see "Machine overview" on page 19).
- Using a cover or a battery other than the ones that came with the mobile device, or a metal cover/sticker can block NFC.
- If NFC devices keep failing to communicate,
 - Remove the case or cover from the mobile device, then try again.
 - Reinstall the battery from the mobile device, then try again.

Requirements

- NFC and Wi-Fi Direct enabled, supported mobile apps installed mobile device with Android OS 4.0 or higher.



Only Android OS 4.1 or higher will automatically enable the Wi-Fi Direct feature on your mobile device when you enable the NFC feature. We recommend you to upgrade your mobile device to Android OS 4.1 or higher to use the NFC feature.

- Wi-Fi Direct feature enabled printer (see "Setting the Wi-Fi Direct for mobile printing" on page 358).

Related Apps

There are some apps that can be used with the NFC feature. The apps can be downloaded from the Google Play Store.

- **Samsung Mobile Print:** Enables users to print, scan(Only users with the machine supports scan), or fax(Only users with the machine supports fax) photos, documents, and web pages directly from your smartphone or tablet (see "Using the Samsung Mobile Print App" on page 367).
- **Samsung Mobile Print Pro:** Helps users to get an authentication easily. This app provides one way of getting a user authentication using your mobile device (see "Using the Samsung Mobile Print Pro App" on page 362).

Using the NFC feature (Optional)


- **Samsung Mobile Print Manager:** Enables users to use cloning and wireless setup features using your mobile device (see "Using the Samsung Mobile Print Manager App" on page 364).

Using the Samsung Mobile Print Pro App

You can use it to get an authentication/registration from the **Samsung Mobile Print Pro** app.

Authentication from the mobile device


- 1 Check that NFC and Wi-Fi Direct enabled features are on your mobile device and Wi-Fi Direct feature is enabled on your printer.
- 2 Open **Samsung Mobile Print Pro** app.

 If you do not have **Samsung Mobile Print Pro** installed on your cellphone, go to the application store (Samsung Apps, Play Store, App Store) on your mobile device, and just search for download the app and try again.

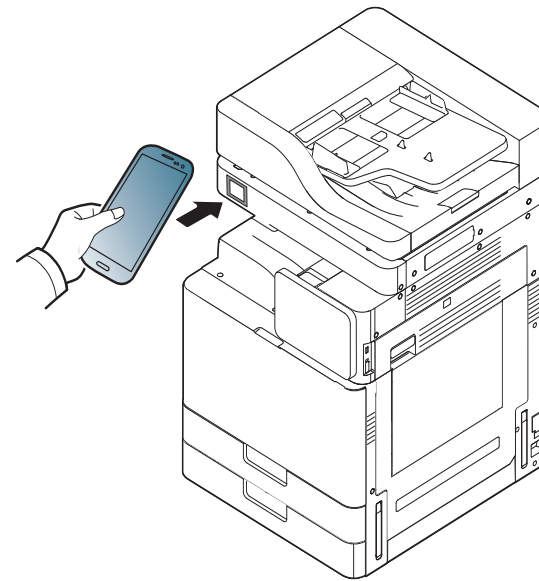
- 3 Type in the **ID** and **Password**.
Use the same admin ID, Password as when logging in from the machine (see "Log-in" on page 311).



If you want to create a new user or change the password, see "Security tab" on page 186.

- 4 Tag your mobile device (usually located on the back of the mobile device) over the NFC tag () on your printer.

Wait few seconds for the mobile device to connect to the printer.




For some mobile devices, NFC tag might not be located at the back of the mobile device. Check the location of the NFC antenna on your mobile device before tagging.

Using the NFC feature (Optional)

Registration from the mobile device

1 Check that NFC and Wi-Fi Direct enabled features are on your mobile device and Wi-Fi Direct feature is enabled on your printer.

2 Open **Samsung Mobile Print Pro** app.

 If you do not have **Samsung Mobile Print Pro** installed on your cellphone, go to the application store (Samsung Apps, Play Store) on your mobile device, and just search for download the app and try again.

3 Press the  icon on the **Samsung Mobile Print Pro** screen.


4 Select **On** from the **Phone login set as default** menu.

5 Mobile device ID appears on the **Samsung Mobile Print Pro** screen.
Press **Registration**.

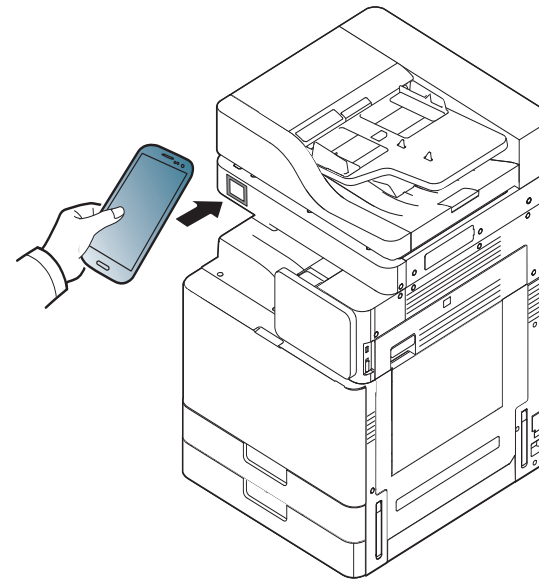
6 Type in the **ID**, **Password**, **Domain**, and **Passcode**, then click **OK**.
Use the same admin ID, Password, Domain as when logging in from the machine (see "Log-in" on page 311).



- If you want to create a new user or change the password, see "Security tab" on page 186.
- **Passcode** is for when the administrator chooses **Two-Factor Authentication** method. You need to enter a passcode for authentication. Password and passcode should be different. You can select **Two-Factor Authentication** from the SyncThru™ Web Service, select **Security > User Access Control > Authentication > Authentication Method > Options** button > **Login Method > Two-Factor Authentication**.

7 Tag your mobile device (usually located on the back of the mobile device) over the NFC tag () on your printer.

Wait few seconds for the mobile device to connect to the printer.



Using the NFC feature (Optional)



For some mobile devices, NFC tag might not be located at the back of the mobile device. Check the location of the NFC antenna on your mobile device before tagging.

8 Registration complete message appears on the printer's touch screen.

Using the Samsung Mobile Print Manager App

If you have more than one printer and need to set the same settings on each printer, you can easily do it using the **Samsung Mobile Print Manager** app. Touch your cellphone on the NFC tag on your printer to copy the settings and tap on the printer you want to set the setting.



When exporting the data, you can save more than one data. When importing the data, you can select the data from the list and import.

Exporting(Copying the setting to your mobile device)

1 Check that NFC and Wi-Fi Direct enabled features are on your mobile device and Wi-Fi Direct feature is enabled on your printer.

2 Open **Samsung Mobile Print Manager** from your mobile device.



If you do not have **Samsung Mobile Print Manager** installed on your cellphone, go to the application store (Samsung Apps, Play Store) on your mobile device, and just search for download the app and try again.

3 Press **Export**.

4 Type in the **ID** and **Password**.

Use the same admin ID, Password as when logging in from the machine (see "Log-in" on page 311).

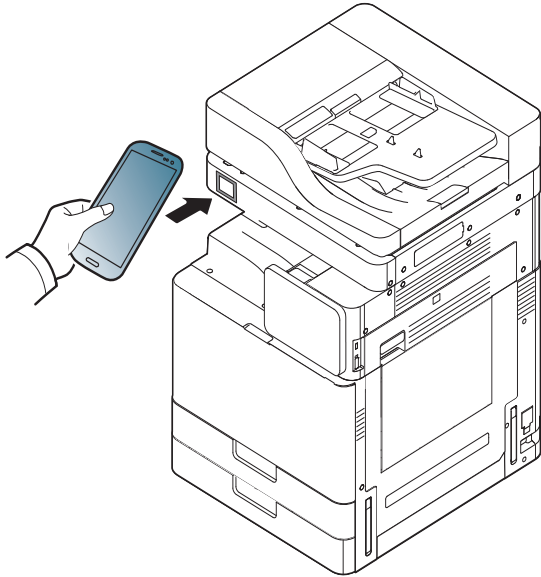


If you want to create a new user or change the password, see "Security tab" on page 186.

Using the NFC feature (Optional)

- 5 Tag your mobile device (usually located on the back of the mobile device) over the NFC tag (NFC) on your printer.

Wait few seconds for the mobile device to connect to the printer.




- For some mobile devices, NFC tag might not be located at the back of the mobile device. Check the location of the NFC antenna on your mobile device before tagging.
- While cloning, the machine is locked.

- 6 Select the settings you want to apply and press **OK**.
- 7 Follow the instruction on the mobile device's screen.

Importing (Applying the settings to the machine)

- 1 Check that NFC and Wi-Fi Direct enabled features are on your mobile device and Wi-Fi Direct feature is enabled on your printer.


- 2 Open **Samsung Mobile Print Manager** from your mobile device.

 If you do not have **Samsung Mobile Print Manager** installed on your cellphone, go to the application store (Samsung Apps, Play Store) on your mobile device, and just search for download the app and try again.

- 3 Press **Import**.

- 4 Type in the **ID** and **Password**.

Use the same admin ID, Password as when logging in from the machine (see "Log-in" on page 311).

 If you want to create a new user or change the password, see "Security tab" on page 186.

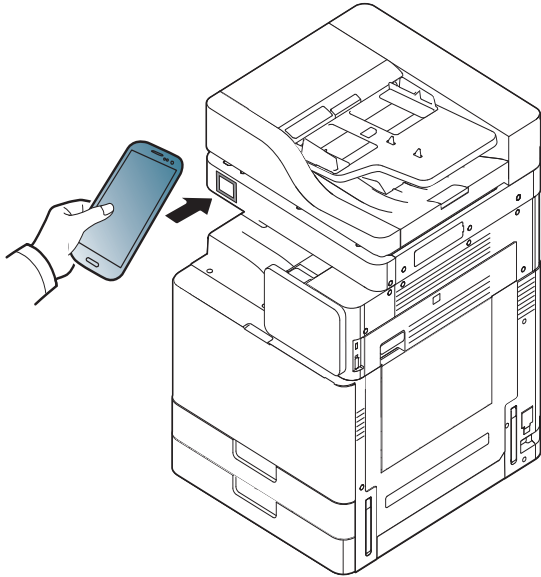
- 5 Select the settings you want to copy.

- 6 Follow the instruction on the mobile device's screen.

Using the NFC feature (Optional)

- 7 Tag your mobile device (usually located on the back of the mobile device) over the NFC tag (NFC) on your printer.

Wait few seconds for the mobile device to connect to the printer.



- For some mobile devices, NFC tag might not be located at the back of the mobile device. Check the location of the NFC antenna on your mobile device before tagging.
- While cloning, the machine is locked.

Wireless Setup

You can copy wireless setting from your phone to your printer by touching your mobile device on the NFC tag on your printer.

- 1 Check that NFC and Wi-Fi Direct enabled features are on your mobile device and Wi-Fi Direct feature is enabled on your printer.
- 2 Open **Samsung Mobile Print Manager** from your mobile device.



If you do not have **Samsung Mobile Print Manager** installed on your cellphone, go to the application store (Samsung Apps, Play Store) on your mobile device, and just search for download the app and try again.

- 3 When the **Samsung Mobile Print Manager** screen appears on your mobile device, tap **Wi-Fi Setup**.

- 4 Type in the **ID** and **Password**.

Use the same admin ID, Password as when logging in from the machine (see "Log-in" on page 311).



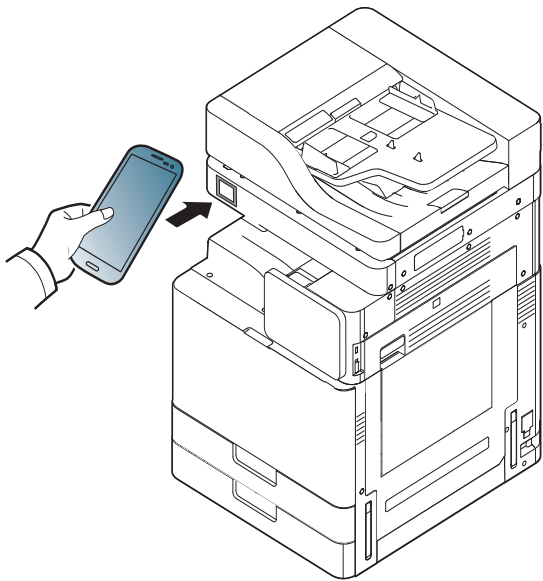
If you want to create a new user or change the password, see "Security tab" on page 186.


Using the NFC feature (Optional)

- 5 If the access point (or wireless router) is connected to the connection confirmation window appears, then click **OK**.
- If the access point (or wireless router) not connection, select the desired access point (or wireless router) and click **OK**, then click **OK**.

- 6 Tag your mobile device (usually located on the back of the mobile device) over the NFC tag (NFC) on your printer.

Wait few seconds for the mobile device to connect to the printer.



 For some mobile devices, NFC tag might not be located at the back of the mobile device. Check the location of the NFC antenna on your mobile device before tagging.

- 7 Follow the instruction on the mobile device's screen.

Using the Samsung Mobile Print App


Samsung Mobile Print is a free application that enables users to print, scan(Only users with multi-functional printers), or fax(Only users with multi-functional printers) photos, documents, and web pages directly from your smartphone or tablet.

Printing


- 1 Check that NFC and Wi-Fi Direct features are enabled on your mobile device and Wi-Fi Direct feature is enabled on your printer.
- 2 Open **Samsung Mobile Print** app.



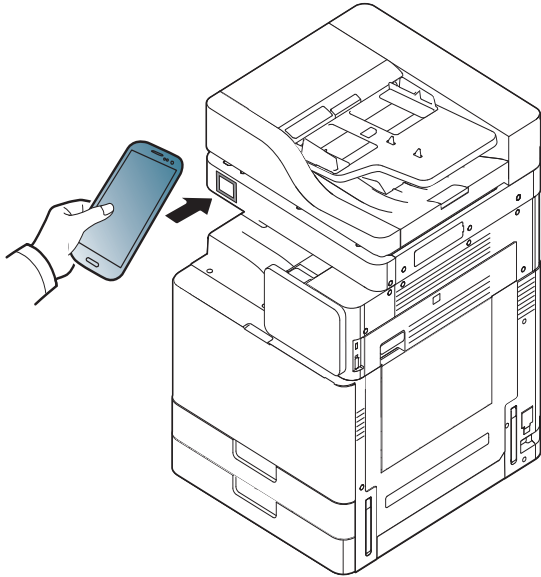
If you do not have **Samsung Mobile Print** installed on your cellphone, go to the application store (Samsung Apps, Play Store, App Store) on your mobile device, and just search for download the app and try again.


- 3 Select print mode.
 - 4 Select the content you want to print.
- If necessary, change the print option by pressing the  icon.

Using the NFC feature (Optional)

- 5 Tag your mobile device (usually located on the back of the mobile device) over the NFC tag () on your printer.

Wait a few seconds for the mobile device to send a job to the printer.



 For some mobile devices, NFC tag might not be located at the back of the mobile device. Check the location of the NFC antenna on your mobile device before tagging.

- 6 The printer starts printing.

Scanning

- 1 Check that NFC and Wi-Fi Direct features are enabled on your mobile device and Wi-Fi Direct feature is enabled on your printer.


- 2 Open **Samsung Mobile Print** app.



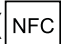
If you do not have **Samsung Mobile Print** installed on your cellphone, go to the application store (Samsung Apps, Play Store, App Store) on your mobile device, and just search for download the app and try again.

- 3 Select scan mode.

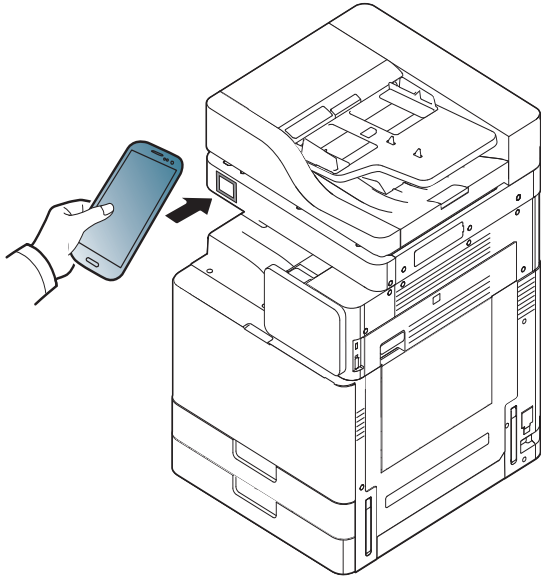
- 4 Place a single document face down on the document glass, or load the documents face up into the document feeder (see "Loading originals" on page 46).


If necessary, change the scan option by pressing the .

Using the NFC feature (Optional)

- 5 Tag your mobile device (usually located on the back of the mobile device) over the NFC tag () on your printer.

Wait few seconds for the mobile device to send a job to the printer.



 For some mobile devices, NFC tag might not be located at the back of the mobile device. Check the location of the NFC antenna on your mobile device before tagging.

- 6 The printer starts scanning the content.
The scanned data is saved on your mobile device.




If you want to continue scanning, follow the instruction on the app screen.

Sending Fax

- 1 Check that NFC and Wi-Fi Direct features are enabled on your mobile device and Wi-Fi Direct feature is enabled on your printer.
- 2 Open **Samsung Mobile Print** app.



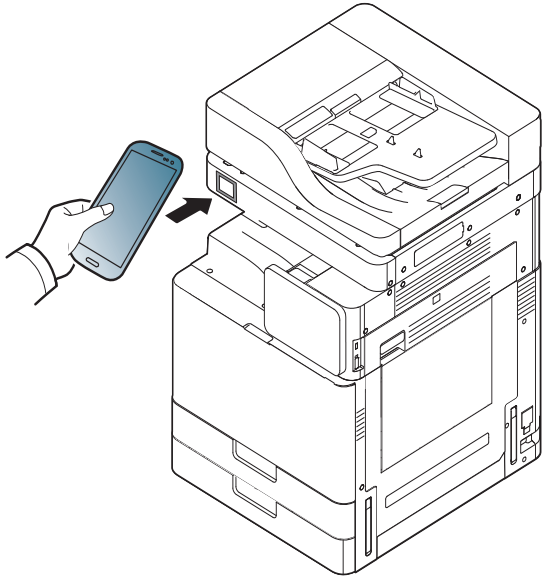
If you do not have **Samsung Mobile Print** installed on your cellphone, go to the application store (Samsung Apps, Play Store, App Store) on your mobile device, and just search for download the app and try again.

- 3 Select fax mode.
- 4 Select the content you want to send fax.
If necessary, enter the fax number and change the fax option by pressing the  icon.

Using the NFC feature (Optional)

- 5 Tag your mobile device (usually located on the back of the mobile device) over the NFC tag (NFC) on your printer.

Wait few seconds for the mobile device to send a job to the printer.



For some mobile devices, NFC tag might not be located at the back of the mobile device. Check the location of the NFC antenna on your mobile device before tagging.

- 6 The printer starts faxing the content.



Only Mopria-certified machines can use the Mopria feature. Check the box that your machine came in for the Mopria-certified logo.



Mopria™ Print Service is a mobile printing solution that enhances the new print functionality on any Android phone or tablet (Android version 4.4 or later). With this service, you can connect and print to any Mopria-certified printer on the same network as your mobile device without additional set-up. Many native Android apps support printing, including Chrome, Gmail, Gallery, Drive and Quickoffice.

Setting up the machine for Mopria printing

Bonjour(mDNS) and IPP protocols are required on your machine to use the **Mopria** feature. Perform the following steps to enable the **Mopria** feature.

- 1 Ensure that the machine is connected to the network.
- 2 On your computer, open a web browser (Internet Explorer, Safari, or Firefox) and type the IP address of the machine in the address bar. Then, press Enter.

For example,



http://192.168.1.133/

- 3 Click **Login** in the top right corner of the SyncThru™ Web Service website.
- 4 Type in your **ID** and **Password** and select the **Domain**. then click **LOGIN**. Use the same login ID, password, and domain as when your log in from the machine (see "Log-in" on page 311.)
- 5 When the SyncThru™ Web Service window opens, click **Settings** > **Network Settings** > **Standard TCP/IP, LPR, IPP** > **IPP**. Then, select **Enable**.
- 6 Click **Settings** > **Network Settings** > **mDNS**. Then, select **Enable**.
- 7 Click **Security** > **System Security** > **Feature Management** > **Mopria**. Then, select **Enable**.

Setting up Mopria on your mobile device

If you do not have **Mopria Print Service** app installed on your mobile device, open to the app store (Play Store, App Store) on your mobile device, search for, **Mopria Print Service**, and then download and install the app.

- 1 In the Settings menu of your Android device, tap **Printing**.



The location of this option may differ depending on your mobile device. If you cannot locate the **Printing** option, refer to the user's manual for your mobile device.

- 2 Under **Print Services**, tap **Mopria Print Service**.
- 3 Tap the **On/Off** slider to enable the **Mopria Print Service**.

Printing via Mopria

To print via Mopria on an Android device:

- 1 Open the email, photo, web page, or document that you want to print.
- 2 Tap **Print** on the menu in the app.

- 3 Select **your printer**, and then configure the print options.
- 4 Touch **Print** again to print the document.



To cancel a print job: Select and delete the document from the print queue in the **Notification Bar**.

AirPrint



Only AirPrint certified machines can use the AirPrint feature. Check the box your machine came in for the AirPrint certified mark.



AirPrint allows you to print directly from iPhone, iPad and iPod touch running the latest version of iOS.

Setting up AirPrint

Bonjour(mDNS) and IPP protocols are required on your machine to use the **AirPrint** feature. You can enable the **AirPrint** feature by one of the following methods.

- 1 Check whether the machine is connected to the network.
- 2 Start a web browser such as Internet Explorer, Safari, or Firefox and enter your machine's new IP address in the browser window.

For example,




- 3 Click **Login** in the upper right of the SyncThru™ Web Service website.


- 4 Type in the **ID** and **Password** and select the **Domain**. then click **LOGIN**.
Use the same login ID, Password, Domain as when logging in from the machine (see "Log-in" on page 311.)
- 5 When the SyncThru™ Web Service window opens, click **Settings** > **Network Settings**.
- 6 Click **AirPrint**.

Printing via AirPrint

For example, the iPad manual provides these instructions:

- 1 Open your email, photo, web page, or document you want to print.
- 2 Touch the action icon().
- 3 Select **your printer driver name** and option menu to set up.
- 4 Touch **Print** button. Print it out.



Cancelling print job: To cancel the printing job or view the print summary, click the print center icon () in multitasking area. You can click cancel in the print center.

Google Cloud Print™

Google Cloud Print™ is a service that allows you to print to a printer using your smart phone, tablet, or any other web-connected devices. Just register your Google account with the printer, and you are ready to use the Google Cloud Print™ service. You can print your document or email with Chrome OS, Chrome browser, or a Gmail™/ Google Docs™ application on your mobile device, so you don't need to install the printer driver on the mobile device. Refer to the Google website (<http://www.google.com/cloudprint/learn/> or <http://support.google.com/cloudprint>) for more information about Google Cloud Print™.

Registering your Google account to the printer

Registering from the Chrome Browser



- Make sure the printer machine is turned on and connected to a wired or wireless network that has access to the Internet.
- You should create your Google account in the advance.

- 1 Open the Chrome browser.
- 2 Visit www.google.com.
- 3 Sign in to the Google website with your Gmail™ address.

- 4 Enter your printer's IP address in the address field and press the Enter key or click **Go**.
- 5 Click **Login** in the upper right corner of the SyncThru™ Web Service website.
- 6 Type in the **ID** and **Password** and select the **Domain**. Then click on **LOGIN**.
Use the same login ID, Password, Domain as when logging in from the machine (see "Log-in" on page 311.)



If the network environment is using a proxy server, you need to configure the proxy's IP and port number from **Settings > Network Settings > Google Cloud Print > Proxy Setting**. Contact your network service provider or network administrator for more information.

- 7 When the **SyncThru™ Web Service** window opens, click **Settings > Network Settings > Google Cloud Print**.
- 8 Enter your printer's name and description.
- 9 Click **Register**.
The confirmation pop-up window appears.



If you set the browser to block pop-ups, the confirmation window will not appear. Allow the site to show pop-ups.

Google Cloud Print™

10 Click **Finish printer registration**.

11 Click **Manage your printers**.

Now your printer is registered with Google Cloud Print™ service.

Google Cloud Print™-ready devices will appear in the list.

Printing with Google Cloud Print™

The printing procedure varies depending on the application or the device you are using. You can see the application list that supports Google Cloud Print™ service.



Make sure the printer is turned on and connected to a wired or wireless network that has access to the Internet.




Printing from an application on mobile device

The following steps are an example of using the Google Docs™ app from Android mobile phone.

1 Install the Cloud Print application on your mobile device.




If you do not have the application, download it from the application store such as Android Market or App Store.

- 2** Access the Google Docs™ application from your mobile device.
- 3** Tap the option  button of the document that you want to print.
- 4** Tap the send  button.
- 5** Tap the Cloud Print  button.
- 6** Set the printing options if you want.
- 7** Tap **Click here to Print**.

Printing from the Chrome browser

The following steps are an example of using the Chrome browser.

- 1** Run Chrome.
- 2** Open the document or email that you want to print.
- 3** Click the wrench icon  in the browser's top right corner.
- 4** Click **Print**. A new tab for printing appears.

Google Cloud Print™

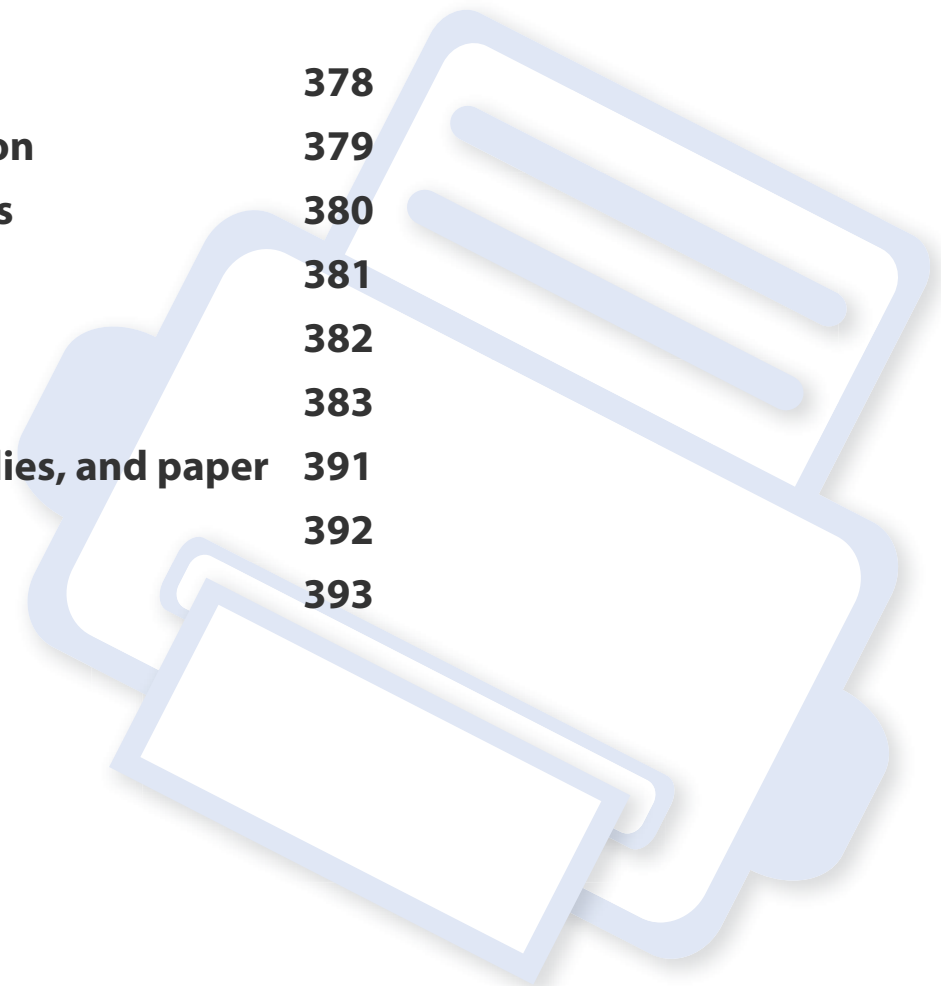
- 5 Select **Print with Google Cloud Print**.
- 6 Click the **Print** button.



4. Maintenance

This chapter provides information for maintaining your machine.

- **Monitoring the supplies life** 378
- **Setting supplies reorder notification** 379
- **Replacing & redistributing supplies** 380
- **Finding the serial number** 381
- **Clearing memory** 382
- **Cleaning the machine** 383
- **Tips for storing the machine, supplies, and paper** 391
- **Tips for moving the machine** 392
- **Printing a demo page** 393



Monitoring the supplies life

Check remaining life of the supplies and prepare the supplies in advance.

You can also print the supplies life report. Select **Supplies Information** in the **Report** feature (see "Report" on page 328, "Information tab" on page 184).

From the machine

- 1 Tap **Settings** > **Management** > **Supplies Life** from the main screen.
- 2 Check the consumables life.



We recommend you prepare new supplies or those that you have used over 90% of their average yield (see "Replacing & redistributing supplies" on page 380).

From the SyncThru™ Web Service

- 1 From the SyncThru™ Web Service, select the **Information** tab > **Supplies**.
- 2 Check the remaining percentage.



We recommend you prepare new supplies if the remaining percentage is less than 10% (see "Replacing & redistributing supplies" on page 380).

Setting supplies reorder notification

Set the supplies reorder notification to receive notification emails and prepare supplies in advance.

See "Supplies Management" on page 322.

Replacing & redistributing supplies

Replacing the toner cartridge

When the toner cartridge is totally empty:

- The status LED turns red on and the display screen shows the error message of replacing toner.
- The machine stops printing and incoming faxes are saved in memory. However, when the toner cartridge is empty, but you can still print black-and-white print jobs (The submitted job must be in black and white).
- Check the type of the toner cartridge for your machine (see "Ordering supplies and accessories" on page 209).

At this stage, the toner cartridge needs to be replaced. Be sure to prepare new toner cartridge in advance (see "Ordering supplies and accessories" on page 209). How to replace the toner cartridge (see "Replacing the toner cartridge" on page 225).

Replacing the imaging unit

When the imaging unit is totally empty:

- The status LED turns red on and the display screen shows the error message of replacing imaging unit.
- Check the type of the imaging unit for your machine ("Ordering supplies and accessories" on page 209).

At this stage, the imaging unit needs to be replaced. Be sure to prepare a new imaging unit in advance (see "Ordering supplies and accessories" on page 209). How to replace the imaging unit (see "Replacing the imaging unit" on page 228).

Redistributing toner

When the toner cartridge is near the end of its life:

- White streaks or light printing occurs.
- Toner low related message appears on the display.
- The **Status** LED blinks.

If this happens, you can temporarily improve print quality by redistributing the remaining toner in the cartridge. In some cases, white streaks or light printing will still occur even after you have redistributed the toner. How to redistribute the toner (see "Redistributing toner" on page 223).

Finding the serial number

You might need to know the serial number of your machine when calling for a service. To check the serial number of your machine, follow the steps below.



The serial number is written on the beginning of all the machine reports.

1 Tap **Settings** > **Management** > **Report** > **Usage Counter** > **Print** from the home screen or **Apps**.

OR

Select the **Information** tab > **Usage Counters** From the SyncThru™ Web Service.


2 Check the serial number.

Clearing memory

There are few ways to clear memory to ensure the memory capacity of your machine. Select one of the ways below.

Clearing stored documents

Check the stored documents before clearing machine memory.

- 1 Tap **Box** from the home screen or **Apps**.
- 2 Touch and hold folder or document you want to erase from the list.
- 3 Tap  > **Delete**.

Clearing fax memory

When the fax memory is full, you can erase stored fax memory. There are two ways to erase the fax memory, follow the steps below:

Clearing fax memory by printing a fax job

Print received fax(es). Fax memory will automatically be erased.

Clearing fax memory without printing a fax job



If you clear fax memory without checking the fax job by printing it first, you might erase jobs that you do not want to. Be careful not to erase important documents.

- 1 Tap **Job Status** from the home screen or **Apps**.
- 2 Select the **Current Job** tab from the display screen.
- 3 Select the job(s) you want to erase than press **Delete**.
If you want to erase all the jobs, press **Delete All**.

To erase only fax jobs on the list, select fax jobs with in the **Job Type** list and click **Delete**.

Cleaning the machine

If printing quality problems occur or if you use your machine in a dusty environment, you need to clean your machine regularly to keep the best printing condition and use your machine longer.



Read the following precautions before cleaning the machine: any damages due to user's mis-handling is not covered by the warranty:

- Turn the machine's power off and unplug all the power cords.
- Do not disassemble the machine without following the instructions in this guide.
- Do not clean the machine with cleaning materials containing large amounts of alcohol, solvent, or other strong substances. They can discolor or distort the cabinet.
- Do not use a vacuum cleaner to clean the toner dust, we recommend you use a cloth or tissue dampened with water to clean it. If you use a vacuum cleaner, toner blows into the air and might be harmful to you.
- When using a dampened cloth, be careful not to drip any water into the machine: it might cause an electric shock.
- For more safety issues, refer to the safety information chapter in the *User's Guide*.

Cleaning the outside

Clean the machine cabinet with a soft, lint-free cloth. Dampen the cloth slightly with water, but be careful not to let any water drip onto or into the machine.

Cleaning the inside

During the printing process, paper, toner, and dust particles can accumulate inside the machine. These accumulations can cause print quality problems, such as toner specks or smearing. Cleaning the inside of the machine clears and reduces printing quality problems.

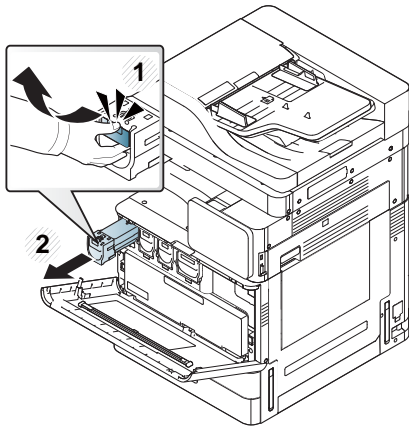
Cleaning the machine

Toner cartridge area

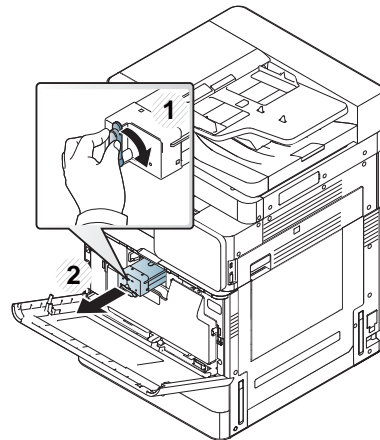
1 Turn the machine off and unplug the power cord. Wait for the machine to cool down.

2 Open the front cover and pull the toner cartridge out.

X740x / X750x / X760x series



K740x / K750x / K760x / K765x series



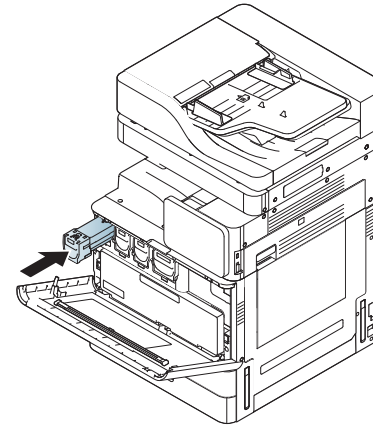
3 With a dry, lint-free cloth, wipe away any dust and spilled toner from the toner cartridge area.



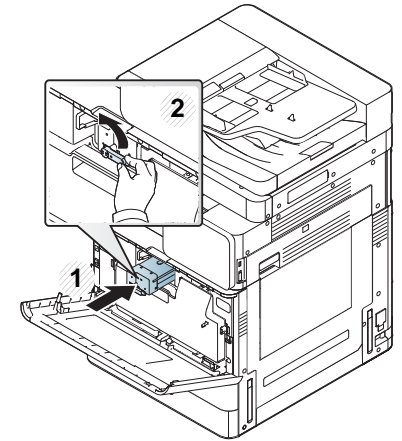
While cleaning the inside of the machine, be careful not to damage the transfer roller or any other inside parts. Do not use solvents such as benzene or thinner to clean. Printing quality problems can occur and cause damage to the machine.

4 Reinsert the toner cartridges. Hold the toner cartridge and align it with the corresponding slot inside the machine. Insert it back into its slot until it locks in place.

X740x / X750x / X760x series

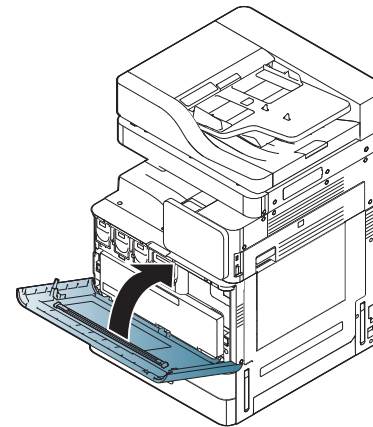


K740x / K750x / K760x / K765x series

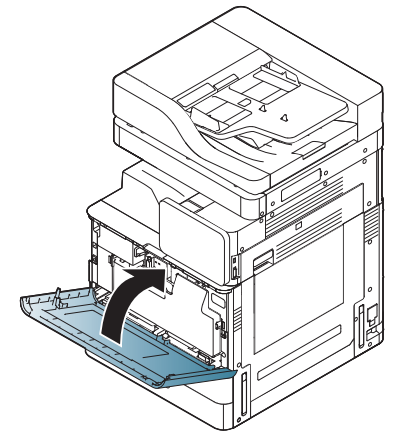


5 Close the front door. Ensure that the cover is securely closed.

X740x / X750x / X760x series



K740x / K750x / K760x / K765x series



Cleaning the machine



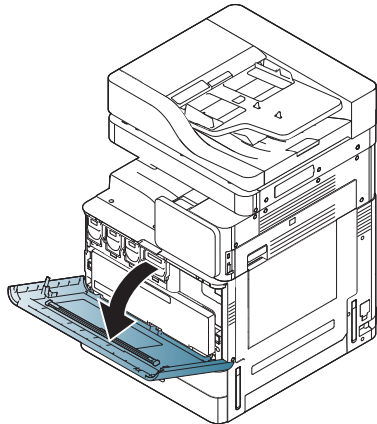
If the front door is not completely closed, the machine will not operate.

- 6 Plug in the power cord and turn the machine on.

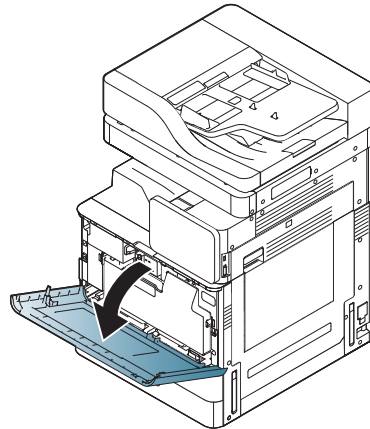
Cleaning the imaging unit area

- 1 Open the front door.

X740x / X750x / X760x series

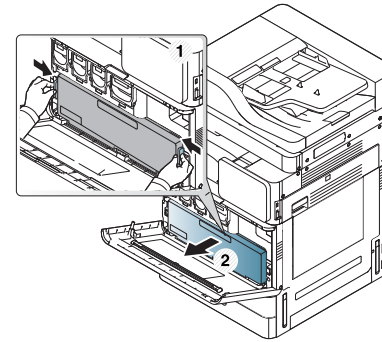


K740x / K750x / K760x / K765x series

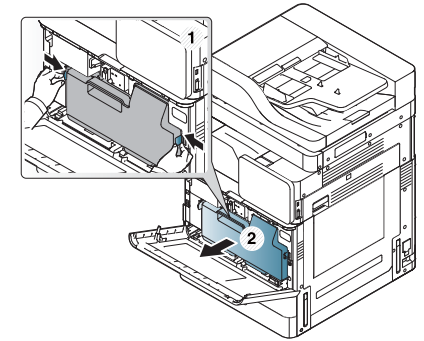


- 2 Remove the waste toner container.

X740x / X750x / X760x series



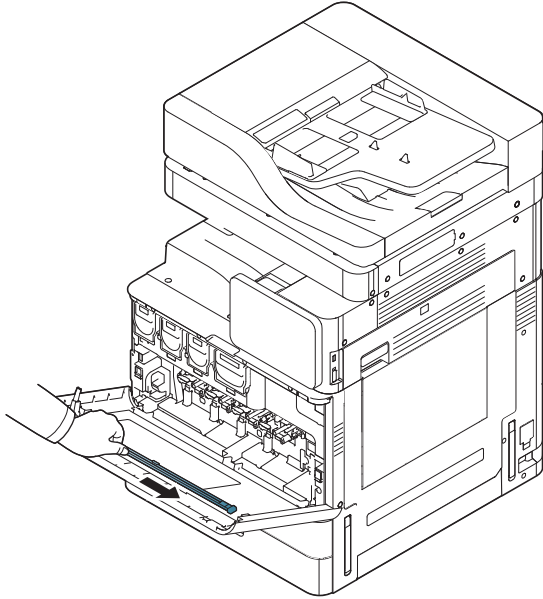
K740x / K750x / K760x / K765x series



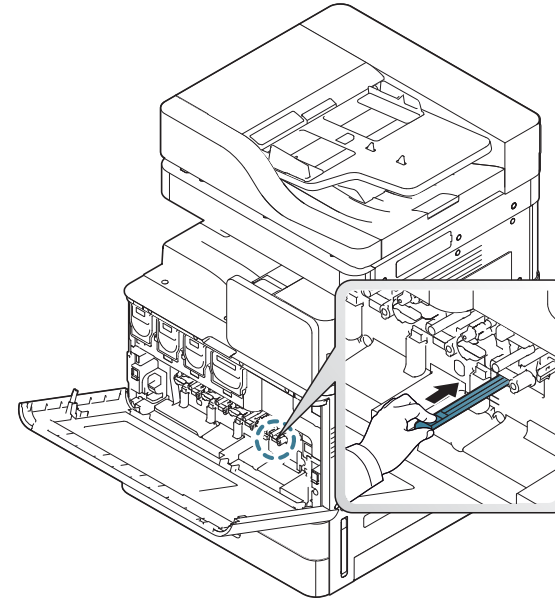
- 3 With a dry, lint-free cloth, wipe away any dust and spilled toner from the imaging unit area.

Cleaning the machine

- 4** Take out the LSU window cleaning stick (X740x/X750x/X760x series only).



- 5** Locate the LSU window cleaning hole and insert the LSU window cleaning stick. Slowly push and pull the LSU window cleaning stick 4 or 5 times to clean the LSU window (X740x/X750x/X760x series only).

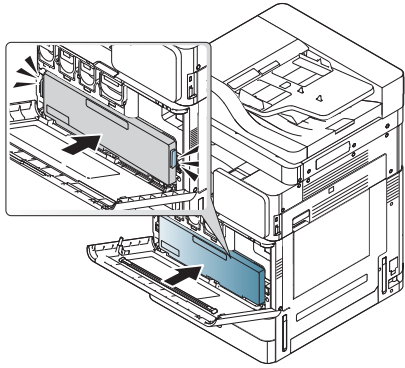


- 6** Insert LSU window cleaning stick back into its place (X740x/X750x/X760x series only).

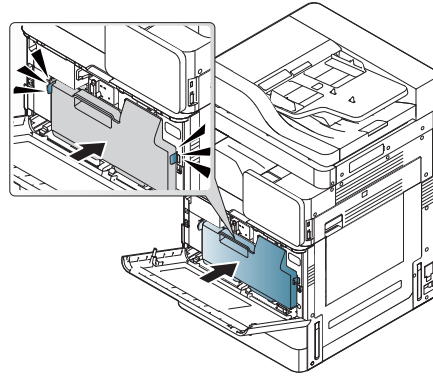
Cleaning the machine

- 7 Insert the waste toner container until it locks in place.

X740x / X750x / X760x series

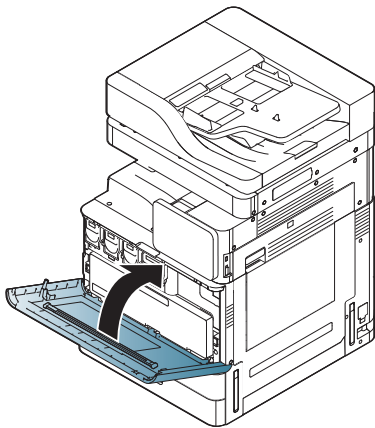


K740x / K750x / K760x / K765x series

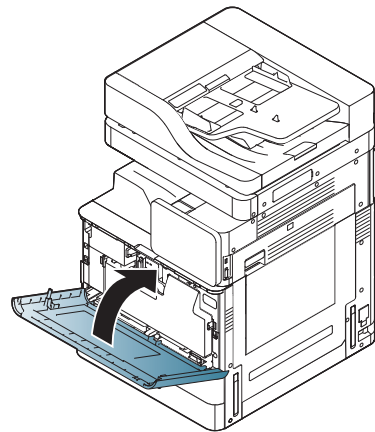


- 8 Close the front cover. Ensure that the cover is securely closed.

X740x / X750x / X760x series



K740x / K750x / K760x / K765x series



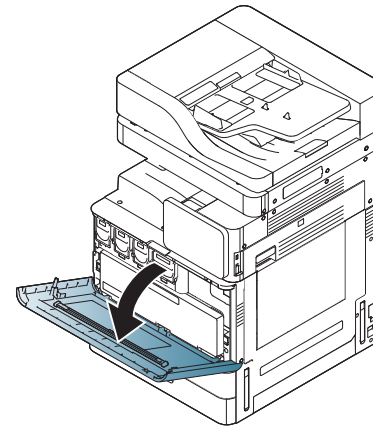
Cleaning the paper dust stick

The paper dust stick will need to be cleaned after a specified number of pages is printed out. When the message that demands you to clean the paper dust stick appears, you have to clean the paper dust stick.

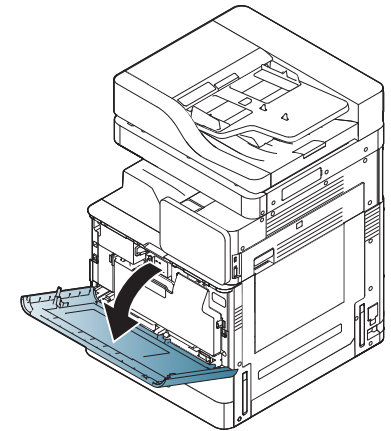
Follow the cleaning procedure below.

- 1 Open the front door.

X740x / X750x / X760x series



K740x / K750x / K760x / K765x series

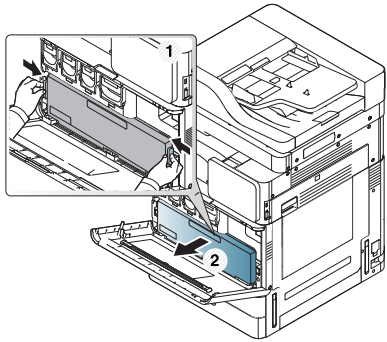


If the front cover is not completely closed, the machine will not operate.

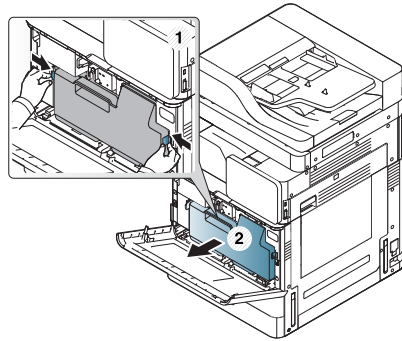
Cleaning the machine

2 Remove the waste toner container.

X740x / X750x / X760x series

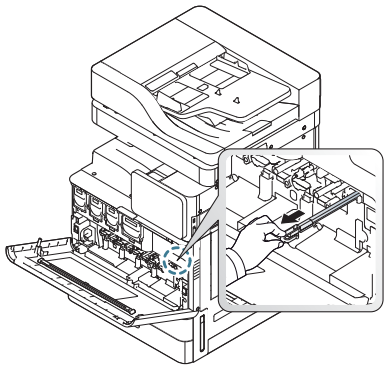


K740x / K750x / K760x / K765x series

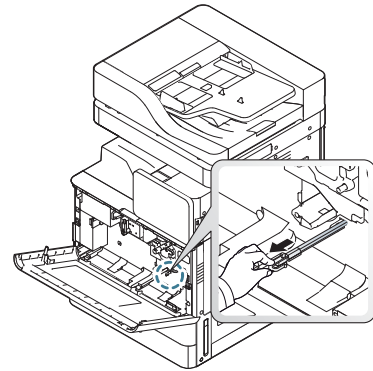


3 Pull the paper dust stick out.

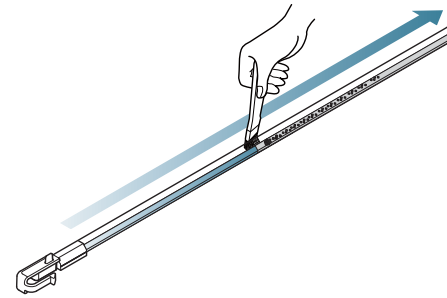
X740x / X750x / X760x series



K740x / K750x / K760x / K765x series

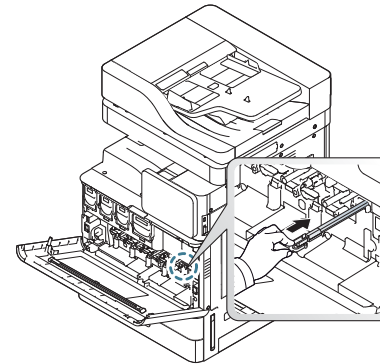


4 Remove the paper dust.

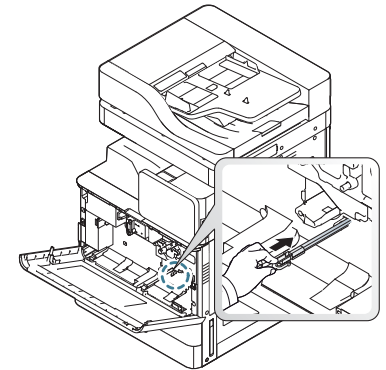


5 Insert the paper dust stick back.

X740x / X750x / X760x series



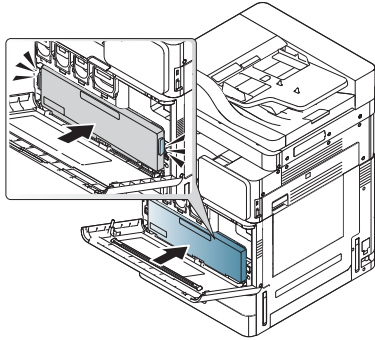
K740x / K750x / K760x / K765x series



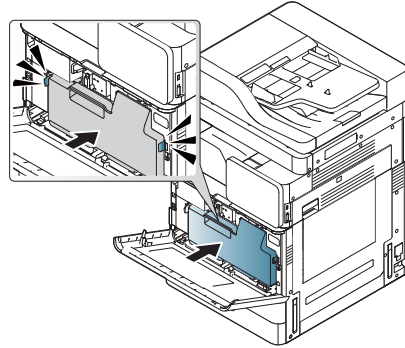
Cleaning the machine

- 6** Insert the waste toner container until it locks in place.

X740x / X750x / X760x series

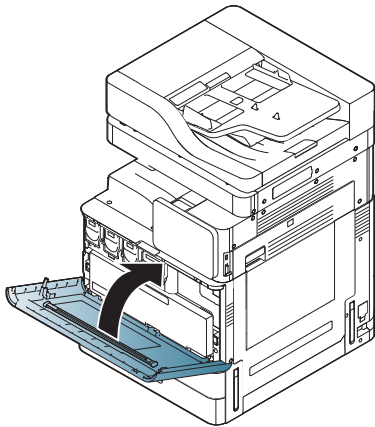


K740x / K750x / K760x / K765x series

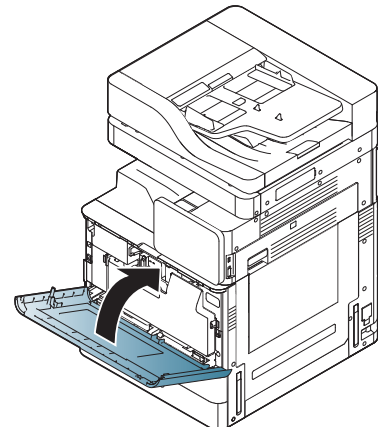


- 7** Close the front door. Ensure that the cover is securely closed.

X740x / X750x / X760x series



K740x / K750x / K760x / K765x series

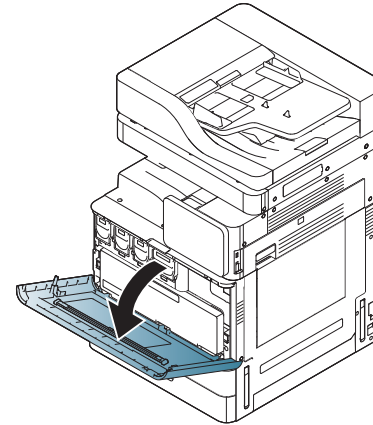


If the message still appears, do step 3 and 4 again.

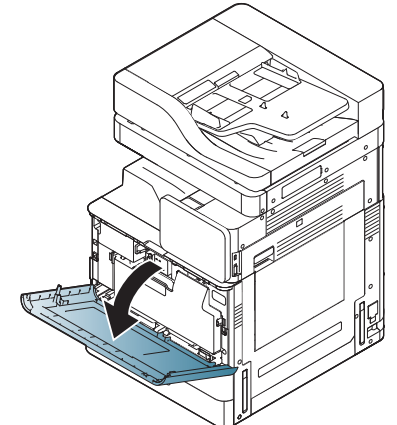
Cleaning the waste toner bottle area

- 1** Open the front door.

X740x / X750x / X760x series

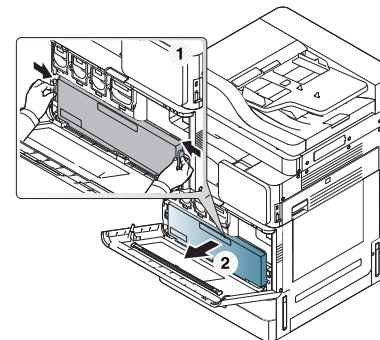


K740x / K750x / K760x / K765x series

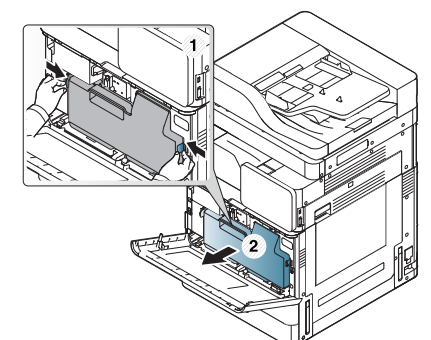


- 2** Squeeze the left/right locking levers and push outward. Remove the waste toner container.

X740x / X750x / X760x series



K740x / K750x / K760x / K765x series

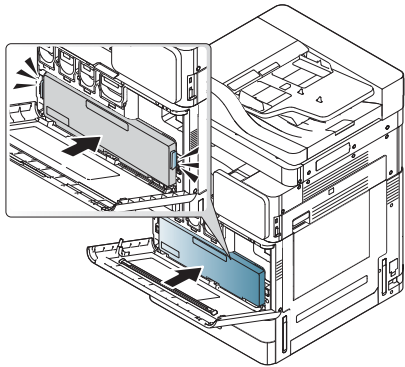


Cleaning the machine

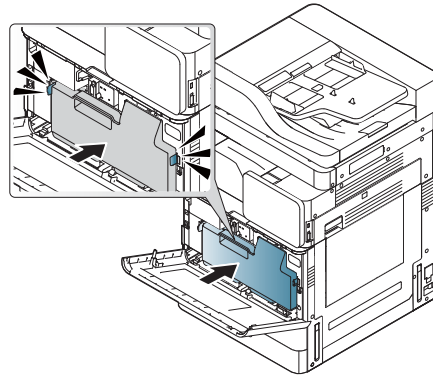
3 With a dry, lint-free cloth, wipe away any dust and spilled toner from the waste toner container area.

4 Reinsert the waste toner container.

X740x / X750x / X760x series

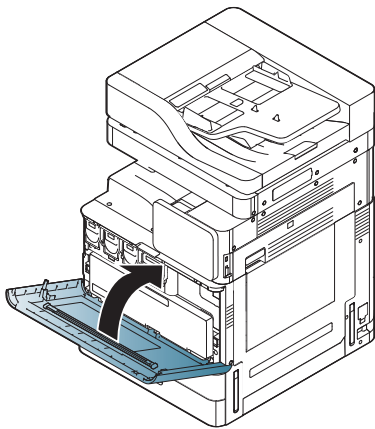


K740x / K750x / K760x / K765x series

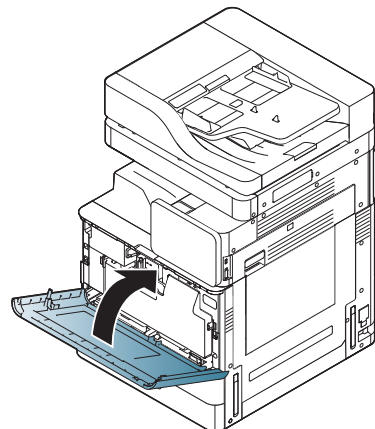


5 Close the front door. Ensure that the cover is securely closed.

X740x / X750x / X760x series



K740x / K750x / K760x / K765x series

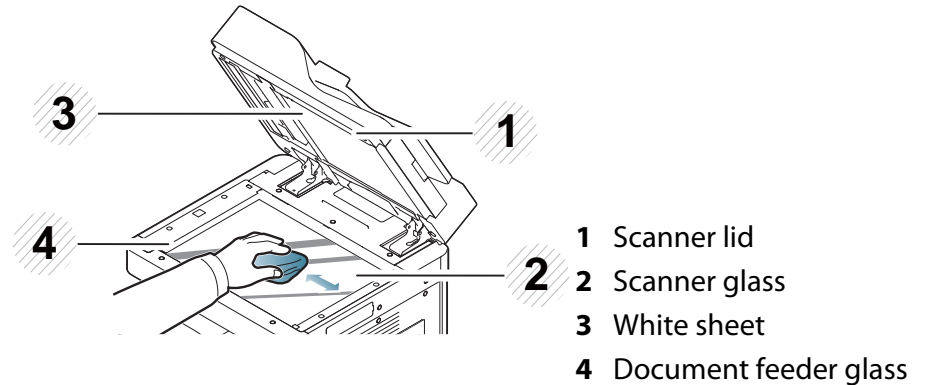


6 Plug in the power cord and turn the machine on.

Cleaning the scan unit

Keeping the scan unit clean helps to ensure the best possible copy quality. We suggest that you clean the scan unit at the start of each day and during the day, as needed.

- 1** Prepare a soft, lint-free cloth.
- 2** Open the scanner lid.
- 3** Wipe the surface of the scanner glass and the document feeder glass with the cloth until it is clean and dry.



- 4** Wipe the underside of the scanner lid and white sheet until it is clean and dry.
- 5** Close the scanner lid.

Tips for storing the machine, supplies, and paper

- Keep them in a cool place with no humidity.
- Keep them covered so that dusts cannot be accumulated.
- Keep them out of water.

Machine

- When moving the machine, do not tilt or turn it upside down. Otherwise, the inside of the machine may be contaminated by toner, which can cause damage to the machine or reduce print quality.
- When moving the machine, make sure at least two people are holding the machine securely.

Toner cartridge/ Imaging unit

To get the best, print quality from the toner cartridge, keep the following guidelines in mind:

- Do not remove the toner cartridge from its package until it's ready to use.
- Do not refill the toner cartridge. The machine warranty does not cover damage caused by using a refilled cartridge.
- Store toner cartridges in the same environment as your machine.
- Keep it in a stable place so the toner dust is not slanted to one side.

Paper

- Store print media in its ream wrapper until you are ready to use it.
- Place cartons on pallets or shelves, not on the floor.
- Do not place heavy objects on top of the paper, whether it is packed or unpacked.
- Keep it away from moisture or other conditions that can cause it to wrinkle or curl.
- Keep it in a temperatures between 15°C ~30°C and humidity between 10% ~ 70%.

Tips for moving the machine



Use safe lifting and handling techniques. If you need to move this machine, you need at least four people. Use the lifting handles, as shown below. If less than four people attempt to lift the machine, it can lead to back injury.

- Do not tilt or turn it upside down. Otherwise, the inside of the machine may be contaminated by toner, which can cause damage to the machine or bad print quality.
- Make sure at least four people are holding the machine securely.
- Lock the scanner lock.
- **Moving long distances using a truck:**
 - Remove the finisher, optional trays, or desk and inner imaging units and toner cartridges.
 - Fasten the scanner locking screw and the 3 finisher locking screws.
 - Tape trays and DSDF cover.
- **Moving short distances (e.g. moving between floors) to prevent damage from vibration:**
 - Remove the finisher.

Printing a demo page

Print a demo page to check the print quality of the machine if you have not used the machine for sometime.

From the machine

See "Report" on page 328.

From the SyncThru™ Web Service

See "Information tab" on page 184.



The following glossary helps you get familiar with the product by understanding the terminologies commonly used with printing as well as mentioned in this user's guide.

802.11

802.11 is a set of standards for wireless local area network (WLAN) communication, developed by the IEEE LAN/MAN Standards Committee (IEEE 802).

802.11ac

IEEE 802.11ac is a wireless networking standard in the 802.11 family (which is marketed under the brand name Wi-Fi), developed in the IEEE Standards Association process, providing high-throughput wireless local area networks (WLANs) on the 5 GHz band

802.11b/g/n

802.11b/g/n can share same hardware and use the 2.4 GHz band. 802.11b supports bandwidth up to 11 Mbps, 802.11n supports bandwidth up to 150 Mbps. 802.11b/g/n devices may occasionally suffer interference from microwave ovens, cordless telephones, and Bluetooth devices.

Access point

Access Point or Wireless Access Point (AP or WAP) is a device that connects wireless communication devices together on wireless local area networks (WLAN), and acts as a central transmitter and receiver of WLAN radio signals.

ADF

An Automatic Document Feeder (ADF) is a scanning unit that will automatically feed an original sheet of paper so that the machine can scan some amount of the paper at once.

AppleTalk

AppleTalk is a proprietary suite of protocols developed by Apple, Inc for computer networking. It was included in the original Mac (1984) and is now deprecated by Apple in favor of TCP/IP networking.

BIT Depth

A computer graphics term describing the number of bits used to represent the color of a single pixel in a bitmapped image. Higher color depth gives a broader range of distinct colors. As the number of bits increases, the number of possible colors becomes impractically large for a color map. 1-bit color is commonly called as monochrome or black and white.

BMP

A bitmapped graphics format used internally by the Microsoft Windows graphics subsystem (GDI), and used commonly as a simple graphics file format on that platform.

BOOTP

Bootstrap Protocol. A network protocol used by a network client to obtain its IP address automatically. This is usually done in the bootstrap process of computers or operating systems running on them. The BOOTP servers assign the IP address from a pool of addresses to each client. BOOTP enables 'diskless workstation' computers to obtain an IP address prior to loading any advanced operating system.

CCD

Charge Coupled Device (CCD) is a hardware which enables the scan job. CCD Locking mechanism is also used to hold the CCD module to prevent any damage when you move the machine.

Collation

Collation is a process of printing a multiple-copy job in sets. When collation is selected, the device prints an entire set before printing additional copies.

Control Panel

A control panel is a flat, typically vertical, area where control or monitoring instruments are displayed. They are typically found in front of the machine.

Coverage

It is the printing term used for a toner usage measurement on printing. For example, 5% coverage means that an A4 sided paper has about 5% image or text on it. So, if the paper or original has complicated images or lots of text on it, the coverage will be higher and at the same time, a toner usage will be as much as the coverage.

CSV

Comma Separated Values (CSV). A type of file format, CSV is used to exchange data between disparate applications. The file format, as it is used in Microsoft Excel, has become a de facto standard throughout the industry, even among non-Microsoft platforms.

DADF

A Duplex Automatic Document Feeder (DADF) is a scanning unit that will automatically feed and turn over an original sheet of paper so that the machine can scan on both sides of the paper.

Default

The value or setting that is in effect when taking a printer out of its box state, reset, or initialized.

DHCP

A Dynamic Host Configuration Protocol (DHCP) is a client-server networking protocol. A DHCP server provides configuration parameters specific to the DHCP client host requesting, generally, information required by the client host to participate on an IP network. DHCP also provides a mechanism for allocation of IP addresses to client hosts.

DIMM

Dual Inline Memory Module (DIMM), a small circuit board that holds memory. DIMM stores all the data within the machine like printing data, received fax data.

DLNA

The Digital Living Network Alliance (DLNA) is a standard that allows devices on a home network to share information with each other across the network.

DNS

The Domain Name Server (DNS) is a system that stores information associated with domain names in a distributed database on networks, such as the Internet.

Dot Matrix Printer

A dot matrix printer refers to a type of computer printer with a print head that runs back and forth on the page and prints by impact, striking an ink-soaked cloth ribbon against the paper, much like a typewriter.

DPI

Dots Per Inch (DPI) is a measurement of resolution that is used for scanning and printing. Generally, higher DPI results in a higher resolution, more visible detail in the image, and a larger file size.

DRPD

Distinctive Ring Pattern Detection. Distinctive Ring is a telephone company service which enables a user to use a single telephone line to answer several different telephone numbers.

Duplex

A mechanism that will automatically turn over a sheet of paper so that the machine can print (or scan) on both sides of the paper. A printer equipped with a Duplex Unit can print on both sides of paper during one print cycle.

DSDF

A Dual Scan Document Feeder (DSDF) is a scanning unit that will automatically feed and turn over an original sheet of paper so that the machine can scan on both sides of the paper.

Duty Cycle

Duty cycle is the page quantity which does not affect printer performance for a month. Generally the printer has the lifespan limitation such as pages per year. The lifespan means the average capacity of print-outs, usually within the warranty period. For example, if the duty cycle is 48,000 pages per month assuming 20 working days, a printer limits 2,400 pages a day.

ECM

Error Correction Mode (ECM) is an optional transmission mode built into Class 1 fax machines or fax modems. It automatically detects and corrects errors in the fax transmission process that are sometimes caused by telephone line noise.

Emulation

Emulation is a technique of one machine obtaining the same results as another.

An emulator duplicates the functions of one system with a different system, so that the second system behaves like the first system. Emulation focuses on exact reproduction of external behavior, which is in contrast to simulation, which concerns an abstract model of the system being simulated, often considering its internal state.

Ethernet

Ethernet is a frame-based computer networking technology for local area networks (LANs). It defines wiring and signaling for the physical layer, and frame formats and protocols for the media access control (MAC)/data link layer of the OSI model. Ethernet is mostly standardized as IEEE 802.3. It has become the most widespread LAN technology in use during the 1990s to the present.

EtherTalk

A suite of protocols developed by Apple Computer for computer networking. It was included in the original Macintosh (1984) and is now deprecated by Apple in favor of TCP/IP networking.

FDI

Foreign Device Interface (FDI) is a card installed inside the machine to allow a third party device such as a coin operated device or a card reader. Those devices allow the pay-for-print service on your machine.

FTP

A File Transfer Protocol (FTP) is a commonly used protocol for exchanging files over any network that supports the TCP/IP protocol (such as the Internet or an intranet).

Fuser Unit

The part of a laser printer that fuses the toner onto the print media. It consists of a heat roller and a pressure roller. After toner is transferred onto the paper, the fuser unit applies heat and pressure to ensure that the toner stays on the paper permanently, which is why paper is warm when it comes out of a laser printer.

Gateway

A connection between computer networks, or between a computer network and a telephone line. It is very popular, as it is a computer or a network that allows access to another computer or network.

Grayscale

A shades of gray that represent light and dark portions of an image when color images are converted to grayscale; colors are represented by various shades of gray.

Halftone

An image type that simulates grayscale by varying the number of dots. Highly colored areas consist of a large number of dots, while lighter areas consist of a smaller number of dots.

Mass storage device (HDD)

Mass storage device (HDD), commonly referred to as a hard drive or hard disk, is a non-volatile storage device which stores digitally-encoded data on rapidly rotating platters with magnetic surfaces.

IEEE

The Institute of Electrical and Electronics Engineers (IEEE) is an international non-profit, professional organization for the advancement of technology related to electricity.

IEEE 1284

The 1284 parallel port standard was developed by the Institute of Electrical and Electronics Engineers (IEEE). The term "1284-B" refers to a specific connector type on the end of the parallel cable that attaches to the peripheral (for example, a printer).

Intranet

A private network that uses Internet Protocols, network connectivity, and possibly the public telecommunication system to securely share part of an organization's information or operations with its employees. Sometimes the term refers only to the most visible service, the internal website.

IP address

An Internet Protocol (IP) address is a unique number that devices use in order to identify and communicate with each other on a network utilizing the Internet Protocol standard.

IPM

The Images Per Minute (IPM) is a way of measuring the speed of a printer. An IPM rate indicates the number of single-sided sheets a printer can complete within one minute.

IPP

The Internet Printing Protocol (IPP) defines a standard protocol for printing as well as managing print jobs, media size, resolution, and so forth. IPP can be used locally or over the Internet to hundreds of printers, and also supports access control, authentication, and encryption, making it a much more capable and secure printing solution than older ones.

IPX/SPX

IPX/SPX stands for Internet Packet Exchange/Sequenced Packet Exchange. It is a networking protocol used by the Novell NetWare operating systems. IPX and SPX both provide connection services similar to TCP/IP, with the IPX protocol having similarities to IP, and SPX having similarities to TCP. IPX/SPX was primarily designed for local area networks (LANs), and is a very efficient protocol for this purpose (typically its performance exceeds that of TCP/IP on a LAN).

ISO

The International Organization for Standardization (ISO) is an international standard-setting body composed of representatives from national standards bodies. It produces world-wide industrial and commercial standards.

ITU-T

The International Telecommunication Union is an international organization established to standardize and regulate international radio and telecommunications. Its main tasks include standardization, allocation of the radio spectrum, and organizing interconnection arrangements between different countries to allow international phone calls. A -T out of ITU-T indicates telecommunication.

ITU-T No. 1 chart

Standardized test chart published by ITU-T for document facsimile transmissions.

JBIG

Joint Bi-level Image Experts Group (JBIG) is an image compression standard with no loss of accuracy or quality, which was designed for compression of binary images, particularly for faxes, but can also be used on other images.

JPEG

Joint Photographic Experts Group (JPEG) is a most commonly used standard method of lossy compression for photographic images. It is the format used for storing and transmitting photographs on the World Wide Web.

LDAP

The Lightweight Directory Access Protocol (LDAP) is a networking protocol for querying and modifying directory services running over TCP/IP.

LED

A Light-Emitting Diode (LED) is a semiconductor device that indicates the status of a machine.

MAC address

Media Access Control (MAC) address is a unique identifier associated with a network adapter. MAC address is a unique 48-bit identifier usually written as 12 hexadecimal characters grouped in pairs (e. g., 00-00-0c-34-11-4e). This address is usually hard-coded into a Network Interface Card (NIC) by its manufacturer, and used as an aid for routers trying to locate machines on large networks.

MFP

Multi Function Peripheral (MFP) is an office machine that includes the following functionality in one physical body, so as to have a printer, a copier, a fax, a scanner and etc.

MH

Modified Huffman (MH) is a compression method for decreasing the amount of data that needs to be transmitted between the fax machines to transfer the image recommended by ITU-T T.4. MH is a codebook-based run-length encoding scheme optimized to efficiently compress white space. As most faxes consist mostly of white space, this minimizes the transmission time of most faxes.

MMR

Modified Modified READ (MMR) is a compression method recommended by ITU-T T.6.

Modem

A device that modulates a carrier signal to encode digital information, and also demodulates such a carrier signal to decode transmitted information.

MR

Modified Read (MR) is a compression method recommended by ITU-T T.4. MR encodes the first scanned line using MH. The next line is compared to the first, the differences determined, and then the differences are encoded and transmitted.

NetWare

A network operating system developed by Novell, Inc. It initially used cooperative multitasking to run various services on a PC, and the network protocols were based on the archetypal Xerox XNS stack. Today NetWare supports TCP/IP as well as IPX/SPX.

OPC

Organic Photo Conductor (OPC) is a mechanism that makes a virtual image for print using a laser beam emitted from a laser printer, and it is usually green or rust colored and has a cylinder shape.

An imaging unit containing a drum slowly wears the drum surface by its usage in the printer, and it should be replaced appropriately since it gets worn from contact with the cartridge development brush, cleaning mechanism, and paper.

Originals

The first example of something, such as a document, photograph or text, etc, which is copied, reproduced or translated to produce others, but which is not itself copied or derived from something else.

OSI

Open Systems Interconnection (OSI) is a model developed by the International Organization for Standardization (ISO) for communications. OSI offers a standard, modular approach to network design that divides the required set of complex functions into manageable, self-contained, functional layers. The layers are, from top to bottom, Application, Presentation, Session, Transport, Network, Data Link and Physical.

PABX

A private automatic branch exchange (PABX) is an automatic telephone switching system within a private enterprise.

PCL

Printer Command Language (PCL) is a Page Description Language (PDL) developed by HP as a printer protocol and has become an industry standard. Originally developed for early inkjet printers, PCL has been released in varying levels for thermal, dot matrix printer, and laser printers.

PDF

Portable Document Format (PDF) is a proprietary file format developed by Adobe Systems for representing two dimensional documents in a device independent and resolution independent format.

PostScript

PostScript (PS) is a page description language and programming language used primarily in the electronic and desktop publishing areas. - that is run in an interpreter to generate an image.

Printer Driver

A program used to send commands and transfer data from the computer to the printer.

Print Media

The media like paper, envelopes, labels, and transparencies which can be used in a printer, a scanner, a fax or, a copier.

PPM

Pages Per Minute (PPM) is a method of measurement for determining how fast a printer works, meaning the number of pages a printer can produce in one minute.

PRN file

An interface for a device driver, this allows software to interact with the device driver using standard input/output system calls, which simplifies many tasks.

Protocol

A convention or standard that controls or enables the connection, communication, and data transfer between two computing endpoints.

PS

See PostScript.

PSTN

The Public-Switched Telephone Network (PSTN) is the network of the world's public circuit-switched telephone networks which, on industrial premises, is usually routed through the switchboard.

RADF

A Reverse Automatic Document Feeder (RADF) is a scanning unit that will automatically feed and turn over an original sheet of paper so that the machine can scan on both sides of the paper.

RADIUS

Remote Authentication Dial In User Service (RADIUS) is a protocol for remote user authentication and accounting. RADIUS enables centralized management of authentication data such as usernames and passwords using an AAA (authentication, authorization, and accounting) concept to manage network access.

Resolution

The sharpness of an image, measured in Dots Per Inch (DPI). The higher the dpi, the greater the resolution.

SMB

Server Message Block (SMB) is a network protocol mainly applied to share files, printers, serial ports, and miscellaneous communications between nodes on a network. It also provides an authenticated Inter-process communication mechanism.

SMTP

Simple Mail Transfer Protocol (SMTP) is the standard for e-mail transmissions across the Internet. SMTP is a relatively simple, text-based protocol, where one or more recipients of a message are specified, and then the message text is transferred. It is a client-server protocol, where the client transmits an email message to the server.

SSID

Service Set Identifier (SSID) is a name of a wireless local area network (WLAN). All wireless devices in a WLAN use the same SSID in order to communicate with each other. The SSIDs are case-sensitive and have a maximum length of 32 characters.

Subnet Mask

The subnet mask is used in conjunction with the network address to determine which part of the address is the network address and which part is the host address.

TCP/IP

The Transmission Control Protocol (TCP) and the Internet Protocol (IP); the set of communications protocols that implement the protocol stack on which the Internet and most commercial networks run.

TCR

Transmission Confirmation Report (TCR) provides details of each transmission such as job status, transmission result and number of pages sent. This report can be set to print after each job or only after failed transmissions.

TIFF

Tagged Image File Format (TIFF) is a variable-resolution bitmapped image format. TIFF describes image data that typically come from scanners. TIFF images make use of tags, keywords defining the characteristics of the image that is included in the file. This flexible and platform-independent format can be used for pictures that have been made by various image processing applications.

Toner Cartridge

A kind of bottle or container used in a machine like a printer which contains toner. Toner is a powder used in laser printers and photocopiers, which forms the text and images on the printed paper. Toner can be fused by a combination of heat/pressure from the fuser, causing it to bind to the fibers in the paper.

TWAIN

An industry standard for scanners and software. By using a TWAIN-compliant scanner with a TWAIN-compliant program, a scan can be initiated from within the program. It is an image capture API for Microsoft Windows and Apple Macintosh operating systems.

UNC Path

Uniform Naming Convention (UNC) is a standard way to access network shares in Window NT and other Microsoft products. The format of a UNC path is: \\<servername>\<sharename>\<Additional directory>

URL

Uniform Resource Locator (URL) is the global address of documents and resources on the Internet. The first part of the address indicates what protocol to use, the second part specifies the IP address or the domain name where the resource is located.

USB

Universal Serial Bus (USB) is a standard that was developed by the USB Implementers Forum, Inc., to connect computers and peripherals. Unlike the parallel port, USB is designed to concurrently connect a single computer USB port to multiple peripherals.

Watermark

A watermark is a recognizable image or pattern in paper that appears lighter when viewed by transmitted light. Watermarks were first introduced in Bologna, Italy in 1282; they have been used by papermakers to identify their product, and also on postage stamps, currency, and other government documents to discourage counterfeiting.

WEP

Wired Equivalent Privacy (WEP) is a security protocol specified in IEEE 802.11 to provide the same level of security as that of a wired LAN. WEP provides security by encrypting data over radio so that it is protected as it is transmitted from one end point to another.

WIA

Windows Imaging Architecture (WIA) is an imaging architecture that is originally introduced in Windows Me and Windows XP. A scan can be initiated from within these operating systems by using a WIA-compliant scanner.

WPA

Wi-Fi Protected Access (WPA) is a class of systems to secure wireless (Wi-Fi) computer networks, which was created to improve upon the security features of WEP.

WPA-PSK

WPA-PSK (WPA Pre-Shared Key) is special mode of WPA for small business or home users. A shared key, or password, is configured in the wireless access point (WAP) and any wireless laptop or desktop devices. WPA-PSK generates a unique key for each session between a wireless client and the associated WAP for more advanced security.

WPS

The Wi-Fi Protected Setup (WPS) is a standard for establishing a wireless home network. If your wireless access point supports WPS, you can configure the wireless network connection easily without a computer.

XPS

XML Paper Specification (XPS) is a specification for a Page Description Language (PDL) and a new document format, which has benefits for portable document and electronic document, developed by Microsoft. It is an XML-based specification, based on a new print path and a vector-based device-independent document format.