

## FPMA-VESA120

## NEOMOUNTS FPMA-VESA120 VESA-ADAPTER 10-32"

### SPECIFICATIONS

#### GENERAL

Min. screen size*	10
Max. screen size*	32
Min. weight	0
Max. weight	25
Screens	1
VESA maximum	200x200 mm
VESA minimum	100x100 mm

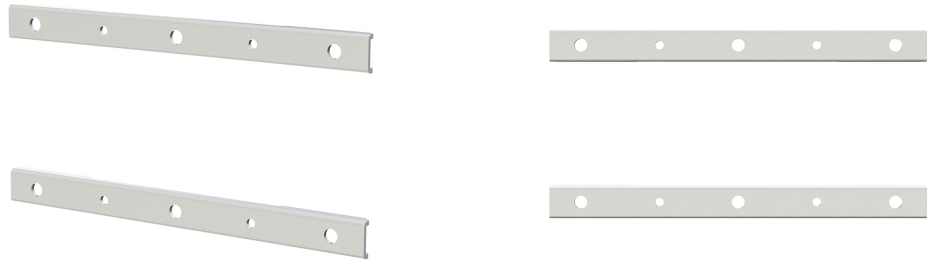
#### FUNCTIE

Type	Fixed
Adjustment type	None

#### INFORMATION

Color	Silver
Main material	Steel
Warranty	5 year

\*Please note: The inch sizes stated are just an indication, combined with the weight and VESA sizes. The maximum weight and VESA size are absolute restrictions for the products and should not be exceeded.



Neomounts

Neomounts

### Neomounts FPMA-VESA120 VESA-adapter - 10-32" - max 25 kg - VESA 100x100-200x200 - silver

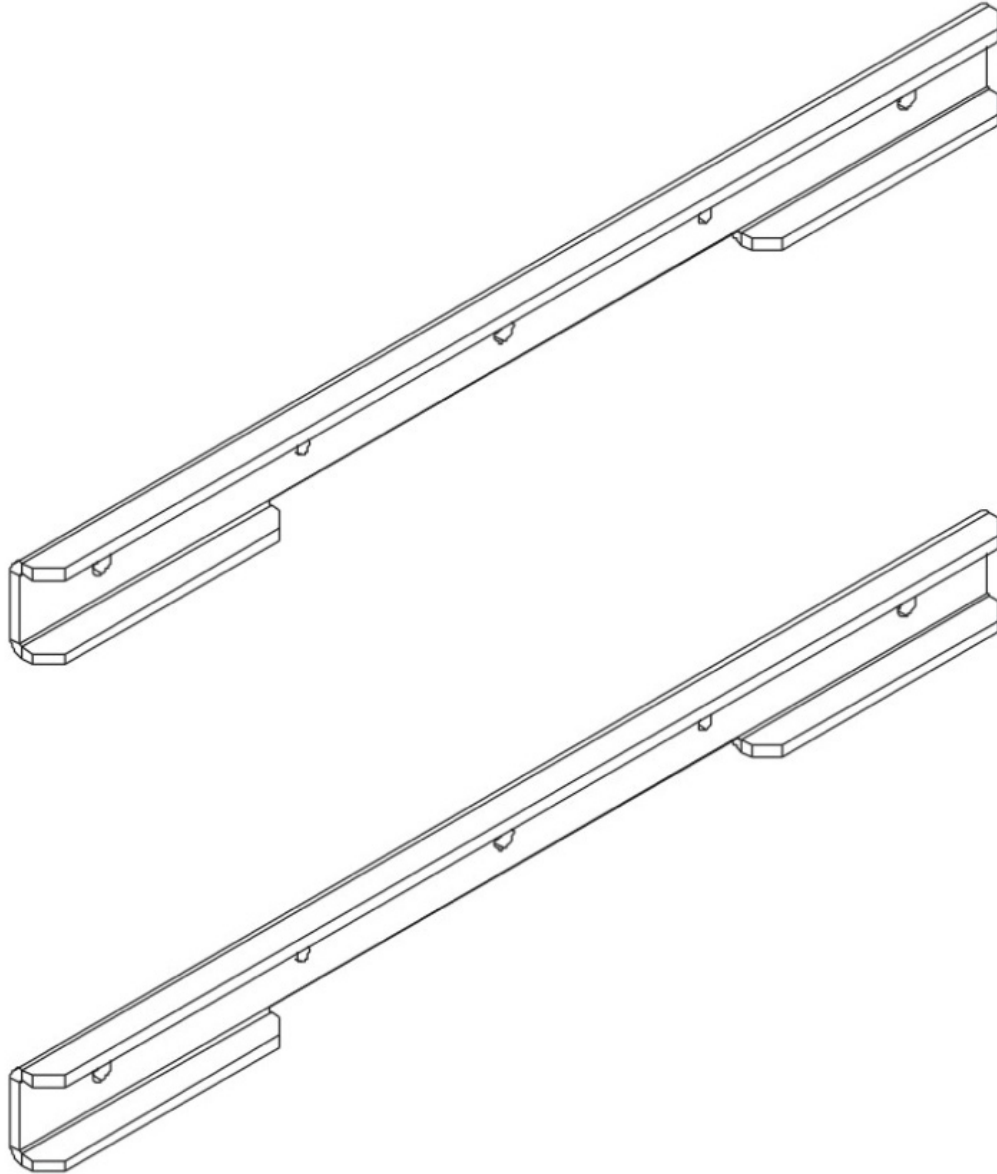
The Neomounts VESA adapter, model FPMA-VESA120 allows a VESA mount with 100x100 mm interface to be used with displays with VESA hole patterns of 200x200 mm. Ideal when flat screen needs different VESA pattern to select wall-, desk- or ceiling mount.

Neomounts FPMA-VESA120 is suitable for screens up to 32" (80 cm). The weight capacity of this product is 25 kg each screen. Depth of this adapter is 4 millimetres only. The adapter is suitable for screens that meet VESA hole pattern 100x200 mm. Different hole patterns can be covered using Neomounts VESA adapter plates.

All installation material is included with the product.

FPMA-VESA120

NEOMOUNTS FPMA-VESA120 VESA-ADAPTER 10-32"



Neomounts