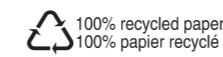


Register your product and get support at
www.philips.com/welcome

HD6107, HD6105, HD6103



www.philips.com

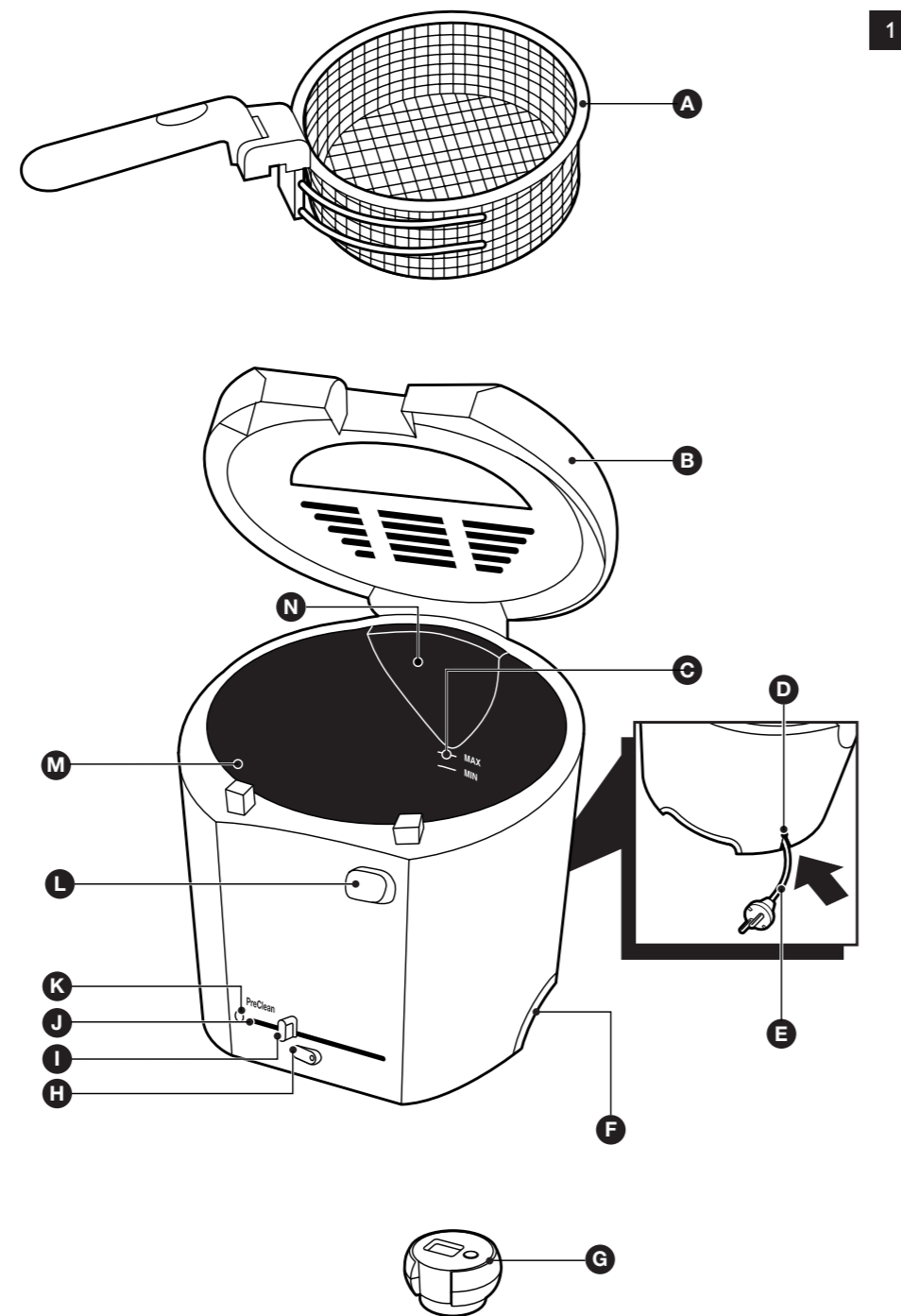


4240 002 00281

PHILIPS



	Kg	°C		20
	8-10	150° C	2-3 min.	
	600 g/1000 g	160° C	4-6 min.	
	600 g/1000 g	175° C	3-4 min.	
	400 g/800 g	175° C		3-6/7-8 min.
	600 g	175° C	3-4 min.	
	8-10	180° C	3-5 min.	4-5 min.
	450 g	160° C	5,7 min.	
	400 g	170° C	12-15 min.	15-20 min.
	5	170° C	4,5 min.	6-7 min.
	2-3	180° C	6-7 min.	10-12 min.
	5-6	180° C	5-6 min.	8-10 min.
	8-40	180° C	3-4 min.	4-5 min.
	12-15	180° C	2-3 min.	3-4 min.
	5	180° C	3-4 min.	
	600 g	190° C	3-4 min.	
	3-4	190° C	5-6 min.	
	2-4	190° C	2-3 min.	



Фритюрница
Куырғыш
HD6103/70
220-240V~ 50-60Hz 2000W

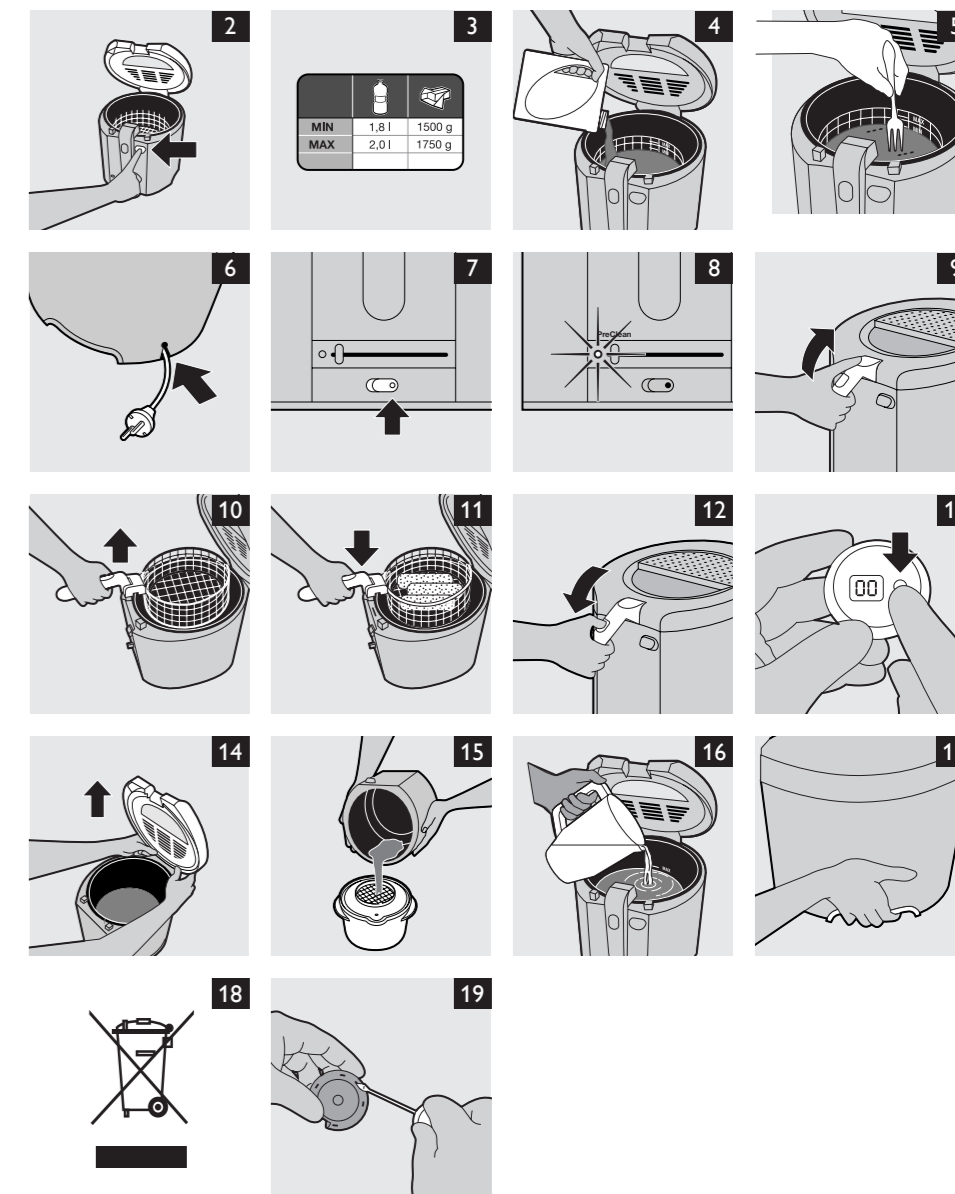
Импортер на территорию России и Таможенного Союза:
ООО «Филипс», Россия, Москва, ул. Сергея Макеева, 13,
тел. +7 495 961 1111

Изготовитель:
"Филипс Консьюмер Лайфстайл Б.В.", Туссендиепен 4, 9206
АД, Драхтен, Нидерланды
Для бытовых нужд

Ресей және Кедендік Одақ территориясына импорттаушы:
«Филипс» ЖШҚ, Ресей, Мәскеу қаласы, Сергей Макеев көшесі,
13-үй, тел. +7 495 961 1111

Өндіруші:
"Филипс Консьюмер Лайфстайл Б.В.", Туссендиепен 4, 9206 АД,
Драхтен, Нидерланды
Тұрмыстық қажеттіліктерге арналған

EAC PHILIPS



HD6107, HD6105, HD6103

ENGLISH	8
БЪЛГАРСКИ	15
ČEŠTINA	23
EESTI	30
HRVATSKI	37
MAGYAR	44
ҚАЗАҚША	51
LIETUVIŠKAI	58
LATVIEŠU	65
POLSKI	72
ROMÂNĂ	79
РУССКИЙ	86
SLOVENSKY	94
SLOVENŠČINA	101
SRPSKI	108
УКРАЇНСЬКА	115

Introduction

Congratulations on your purchase and welcome to Philips! To fully benefit from the support that Philips offers, register your product at www.philips.com/welcome.

General description (Fig. 1)

- A Frying basket
- B Lid
- C 'MIN' and 'MAX' indications
- D Cord storage compartment
- E Cord
- F Integrated handles
- G Separate digital timer
- H On/off switch
- I Temperature control
- J PreClean function
- K Temperature light
- L Lid release button
- M Inner bowl
- N Pour-out facility

Important

Read this user manual carefully before you use the appliance and save it for future reference.

Danger

- Never immerse the housing, which contains electrical components and the heating element, in water nor rinse it under the tap.

Warning

- Check if the voltage indicated on the appliance corresponds to the local mains voltage before you connect the appliance.
- Do not use the appliance if the plug, the mains cord or the appliance itself is damaged.
- If the mains cord is damaged, you must have it replaced by Philips, a service centre authorised by Philips or similarly qualified persons in order to avoid a hazard.
- This appliance is not intended for use by persons (including children) with reduced physical, sensory or mental capabilities, or lack of experience and knowledge, unless they have been given supervision or instruction concerning use of the appliance by a person responsible for their safety.
- Children should be supervised to ensure that they do not play with the appliance.
- Keep the mains cord out of the reach of children. Do not let the mains cord hang over the edge of the table or worktop on which the appliance stands.
- Only connect the appliance to an earthed wall socket.
- During frying, hot steam is released through the filter. Keep your hands and face at a safe distance from the steam. Also be careful of the hot steam when you open the lid.
- This appliance is not intended to be operated by means of an external timer or a separate remote control system.

Caution

- Always return the appliance to a service centre authorised by Philips for examination or repair. Do not attempt to repair the appliance yourself, otherwise the guarantee becomes invalid.
- Place the appliance on a horizontal, even and stable surface.
- Do not touch the viewing window, as it becomes hot during frying.
- This appliance is intended for household use only. If the appliance is used improperly or for professional or semi-professional purposes or if it is not used according to the instructions in

the user manual, the guarantee becomes invalid and Philips refuses any liability for damage caused.

- Fry food golden-yellow instead of dark or brown and remove burnt remnants. Do not fry starchy foods, especially potato and cereal products, at a temperature above 175°C (to minimise the production of acrylamide).
- Prevent water and/or ice from coming into contact with oil or fat, as this causes heavy spattering or violent bubbling of the oil or fat. To achieve this, remove all excess ice from frozen ingredients before you fry them and dry ingredients thoroughly before you fry them. Do not overfill the basket. After cleaning, dry all parts thoroughly before you put oil or fat in the fryer.
- Do not fry Asian rice cakes (or similar types of food) in this appliance. This might cause heavy spattering or violent bubbling of the oil or fat.
- Make sure the fryer is always filled with oil or fat to a level between the 'MIN' and 'MAX' indications on the inside of the inner bowl to prevent either overflowing or overheating.
- Do not switch on the appliance before you have filled it with oil or fat, as this can damage the appliance.

Electromagnetic fields (EMF)

This Philips appliance complies with all standards regarding electromagnetic fields (EMF). If handled properly and according to the instructions in this user manual, the appliance is safe to use based on scientific evidence available today.

Preparing for use

- 1** Clean the appliance before you use it for the first time (see chapter 'Cleaning').

Make sure that all parts are dry before you fill the fryer with oil or fat.

- 2** Press the lid release button to open the lid (Fig. 2).
- 3** Consult the oil/fat table to determine how much oil or fat you have to put in the fryer (Fig. 3).
- 4** Fill the fryer with oil, liquid frying fat or melted solid fat to a level between the 'MIN' and 'MAX' indications and close the lid (Fig. 4).

Do not switch on the appliance before you have filled it with oil or fat.

Oil and fat

Never mix different types of oil or fat and never add fresh oil or fat to used oil or fat.

- We advise you to use frying oil or liquid frying fat. Preferably use vegetable oil or fat that is rich in unsaturated fats (e.g. linoleic acid), such as soy oil, peanut oil, maize oil or sunflower oil.
- Because oil and fat lose their favourable properties rather quickly, you have to change the oil or fat regularly (after 10-12 times).
- Always change the oil or fat if it starts foaming when it is heated, if it has a strong smell or taste or if it turns dark and/or syrupy.

Solid fat

You can also use solid frying fat. In that case, extra precautions are necessary to prevent the fat from spattering and the heating element from overheating or becoming damaged.

- 1** If you want to use new blocks of fat, melt them slowly over a low heat in a normal pan.
- 2** Pour the melted fat carefully into the fryer.
- 3** Store the fryer with the resolidified fat still in it at room temperature.
- 4** If the fat gets very cold, it may start spattering when it melts. Punch some holes into the resolidified fat with a fork to prevent this (Fig. 5).

Be careful not to damage the inner bowl with the fork.

Using the appliance

- 1 Take the entire cord from the cord storage compartment and put the plug in the wall socket (Fig. 6).
- 2 Switch on the fryer (Fig. 7).
 - ▶ The temperature light goes on (Fig. 8).
- 3 Set the temperature control to the required temperature (see the package of the food to be fried or the food table at the end of this booklet).
- 4 Wait until the temperature light goes out (this takes 10 to 15 minutes).
- 5 Fold out the handle of the frying basket (Fig. 9).
- 6 Open the lid (Fig. 2).
- 7 Remove the basket from the fryer and put the food to be fried in the basket (Fig. 10).

Do not fry very large quantities at one time. Do not exceed the quantities mentioned in the food table at the end of this booklet (☞ indicates the recommended quantity).

- 8 Put the basket on the bracket, but do not lower it into the oil or fat yet (Fig. 11).
- 9 Close the lid.
- 10 Press the button on the basket handle and fold the handle against the fryer. The basket is automatically lowered into the oil or fat. (Fig. 12)

During frying, the temperature light comes on and goes out from time to time to indicate that the heating element is switched on and off to maintain the correct temperature.

Timer

Note: You can also use the timer for other purposes, e.g. as a regular cooking timer.

Setting the timer

- 1 Press the timer button to set the frying time in minutes. (Fig. 13)
 - ▶ A few seconds after you have set the frying time, the timer starts to count down.
 - ▶ While the timer is counting down, the remaining frying time flashes on the display. The last minute is displayed in seconds.
 - ▶ When the preset time has elapsed you hear an audible signal. After 10 seconds the audible signal is repeated. Press the timer button to stop the audible signal.

Note: You can erase the timer setting by pressing the timer button for 2 seconds (at the moment the timer flashes) until '00' appears.

After frying

- 1 Fold out the handle of the basket (Fig. 9).
- 2 Open the lid (Fig. 2).

Beware of the hot steam.

- 3 Remove the basket from the fryer and shake off excess oil or fat.
- 4 Put the fried food in a bowl or colander lined with grease-absorbing paper, e.g. kitchen paper.
- 5 Enjoy the fried food.

If you want to fry another batch, wait until the temperature light goes out.

- 6** Press the on/off switch to switch off the fryer.
- 7** Put the basket in the fryer.
- 8** Close the lid.
- 9** Unplug the appliance after use.

Note: If you do not use the fryer regularly, we advise you to remove the oil or liquid fat and to store it in well-closed containers, preferably in the refrigerator or in a cool place.

Frying tips

- For an overview of preparation times and frying temperatures, see the food table at the end of this booklet.
- Carefully shake off as much ice and water as possible and dab the food to be fried until it is properly dry.
- Do not fry very large quantities at one time. Do not exceed the quantities mentioned at the end of this booklet (☞ indicates the recommended quantity).

Getting rid of unwanted flavours

Certain types of food, particularly fish, can give the oil or fat an unpleasant flavour. To neutralise the taste of the oil or fat:

- 1** Heat the oil or fat to a temperature of 160°C.
- 2** Put two thin slices of bread or a few sprigs of parsley in the oil.
- 3** Wait until no more bubbles appear and then scoop the bread or the parsley out of the fryer with a spatula.

The oil or fat now has a neutral taste again.

Home-made French fries

You make the tastiest and crispiest French fries in the following way:

- 1** Use firm potatoes and cut them into sticks. Rinse the sticks with cold water. This prevents them from sticking to each other during frying.

Note: Dry the sticks thoroughly.

- 2** Fry the French fries twice: the first time for 4-6 minutes at a temperature of 160°C, the second time for 5-8 minutes at a temperature of 175°C.

Let the French fries cool down before you fry them for the second time.

- 3** Put the home-made French fries in a bowl and shake them.

Cleaning

Never use scouring pads, abrasive cleaning agents or aggressive liquids such as petrol or acetone to clean the appliance.

- 1** Open the lid (Fig. 2).
- 2** Let the oil or fat cool down for at least 4 hours before you clean or move the fryer.
- 3** Pull the lid upwards to remove it (Fig. 14).
- 4** Lift the frying basket out of the fryer (Fig. 10).
- 5** Pour out the oil or fat (Fig. 15).

12 ENGLISH

PreClean function

This appliance is equipped with a PreClean function, which allows you to soak the inner bowl with hot water and washing-up liquid to make cleaning easier.

Make sure you have removed the oil or fat from the inner bowl before you use this function.

- 1** Fill the inner bowl with cold water up to three quarters of its capacity and add some washing-up liquid. (Fig. 16)
- 2** Put the plug in the wall socket.
- 3** Switch on the appliance (Fig. 7).
- 4** Set the temperature control to the PreClean function. (Fig. 8)
 - ▶ The water is heated to a temperature just below boiling point.
- 5** After 30 minutes, switch off the appliance and unplug it.
- 6** Pour the water out of the inner bowl and clean the bowl as described below.

Cleaning the appliance

- 1** Clean the bowl, the lid and the frying basket with hot water and some washing-up liquid. Rinse them with fresh water and dry them thoroughly.

The lid and the frying basket can also be cleaned in the dishwasher.

- 2** Clean the housing of the fryer with a moist cloth (with some washing-up liquid) and/or kitchen paper.

You can clean the timer with a moist cloth.

Never immerse the fryer housing or the timer in water.

Make sure that all parts are dry before you fill the fryer with oil or fat.

Storage

- 1** Let the oil or fat cool down for at least 4 hours before you store the fryer.
- 2** Put all parts back into/onto the fryer and close the lid.
- 3** Push the cord into the cord storage compartment. (Fig. 6)
- 4** Lift the fryer by its handles and store it (Fig. 17).

Environment

- Do not throw away the appliance with the normal household waste at the end of its life, but hand it in at an official collection point for recycling. By doing this, you help to preserve the environment (Fig. 18).
- Batteries contain substances that may pollute the environment. Do not throw away batteries with the normal household waste, but dispose of them at an official collection point for batteries. Always remove the timer battery before you discard and hand in the timer at an official collection point.

Removing the timer battery

- 1** Use a small flat-blade screwdriver to remove the front of the timer (Fig. 19).
- 2** Remove the battery.

Guarantee & service

If you need service or information or if you have a problem, please visit the Philips website at www.philips.com or contact the Philips Consumer Care Centre in your country (you find its phone number in the worldwide guarantee leaflet). If there is no Consumer Care Centre in your country, go to your local Philips dealer.

Troubleshooting

This chapter summarises the most common problems you could encounter with the appliance. If you are unable to solve the problem with the information below, contact the Consumer Care Centre in your country.

Problem	Possible cause	Solution
The fried food does not have a golden brown colour and/or is not crispy.	The selected temperature is too low and/or the food has not been fried long enough.	Check on the package of the food or in the food table at the end of this booklet whether the temperature and/or preparation time you have selected is/are correct. Set the temperature control to the correct temperature.
	There is too much food in the basket.	Never fry more food at one time than the quantity mentioned in the food table at the end of this booklet.
The fryer does not work.	The thermal safety cut-out has been activated.	Go to your Philips dealer or a service centre authorised by Philips to have the fuse replaced.
The fryer gives off a strong unpleasant smell.	The permanent anti-grease filter is saturated.	Remove the lid and clean the lid and filter in hot water with some washing-up liquid or in the dishwasher.
	The oil or fat is no longer fresh.	Change the oil or fat. Regularly sieve the oil or fat to keep it fresh longer.
Steam escapes from other places than the filter.	The type of oil or fat used is not suitable for deep-frying food.	Use frying oil or liquid frying fat of good quality. Never mix different types of oil or fat.
	The lid is not closed properly.	Close the lid properly.
Oil or fat spills over the edge of the fryer during frying.	The permanent anti-grease filter is saturated.	Remove the lid and clean the lid and filter in hot water with some washing-up liquid or in the dishwasher.
	There is too much oil or fat in the fryer.	Make sure the oil or fat in the fryer does not exceed the 'MAX' indication.
	The food contains too much moisture.	Dry the food thoroughly before you start frying it and fry the food according to the instructions in this user manual.

14 ENGLISH

Problem	Possible cause	Solution
	There is too much food in the frying basket.	Do not fry more food at one time than the quantity mentioned in the food table at the end of this booklet.
The oil or fat foams strongly during frying.	The food contains too much moisture.	Dry the food thoroughly before you fry it.
	The type of oil or fat you use is unsuitable for deep-frying food.	Use frying oil or liquid frying fat of good quality. Never mix different types of oil or fat.
	You have not cleaned the inner bowl properly.	Clean the inner bowl (see chapter 'Cleaning').

Food table (Fig. 20)

Въведение

Поздравления за вашата покупка и добре дошли във Philips! За да се възползвате изцяло от предлаганата от Philips поддръжка, регистрирайте продукта си на адрес www.philips.com/welcome.

Общо описание (фиг. 1)

- A Кошница за пържене
- B Капак
- C Индикатори MIN и MAX
- D Отделение за прибиране на шнура
- E Кабел
- F Вградени дръжки
- G Отделен цифров таймер
- H Ключ за вкл./изкл.
- I Температурен регулатор
- J Функция PreClean
- K Светлинен температурен индикатор
- L Бутон за освобождаване на капака
- M Вътрешен съд
- N Чучур

Важно

Преди да използвате уреда, прочетете внимателно това ръководство за експлоатация и го запазете за справка в бъдеще.

Опасност

- Не потапяйте във вода и не мийте на чешмата корпуса, в който са поместени електронни елементи и нагревателят.

Предупреждение

- Преди да включите уреда в мрежата, проверете дали посоченото върху уреда напрежение отговаря на напрежението на местната електрическа мрежа.
- Не използвайте уреда, ако щепселът, мрежовият кабелът или самият уред са повредени.
- Ако захранващият кабел се повреди, той трябва винаги да се подменя от Philips, упълномощен сервиз на Philips или подобни квалифицирани лица, за да се избегне опасност.
- Този уред не е предназначен за ползване от хора с физическа, сетивна или умствена недостатъчност, а също и от лица без опит и познания, вкл. деца, ако са оставени без надзор и не са инструктирани от страна на отговарящо за тяхната безопасност лице относно начина на използване на уреда.
- Следете деца да не играят с уреда.
- Пазете захранващия кабел от достъп на деца. Не го оставяйте да виси през ръба на масата или работния плот, на който е сложен уредът.
- Включвайте уреда само в заземен мрежов контакт.
- По време на пърженето през филтъра се отделя гореща пара. Дръжте ръцете и лицето си на безопасно разстояние от парата. Внимавайте също да се пазите от гореща пара, когато отваряте капака.
- Този уред не е предназначен за използване с външен таймер или отделна система за дистанционно управление.

Внимание

- Винаги носете уреда за проверка или ремонт в упълномощен сервиз на Philips. Не се опитвайте сами да поправяте уреда, защото гаранцията ще стане невалидна.

16 БЪЛГАРСКИ

- Поставете уреда върху хоризонтална, равна и стабилна повърхност.
- Не докосвайте прозорчето, тъй като при пържене то се нажежава.
- Този уред е предназначен само за битови цели. Ако уредът се използва неправилно или за професионални или полупрофесионални цели или ако се използва по начин, който не е в съответствие с указанията в това ръководство за експлоатация, гаранцията става невалидна и Philips отказва отговорност за каквито и да е причинени щети.
- Пържете продуктите до златисто-жълт цвят, а не до тъмен или кафяв и махайте изгорелите остатъци! Не пържете съдържащи скорбяла продукти, особено картофени и зърнени продукти при температура над 175°C (за да се минимизира образуването на акриламид).
- Не допускайте вода и/или лед да попадат в олиото или мазнината, тъй като това води до тяхното силно разпльскване или кипеж. За да постигнете това, отстранявайте излишния лед от замразените съставки пред пърженето им. Не преплъвайте кошницата за пържене. След почистване подсушавайте всички части добре, преди да поставите във фритюрника олио или мазнина.
- Не пържете азиатски ориз (или подобни храни) в този уред. Това може да доведе до силно разпльскване или кипеж на мазнината.
- Внимавайте фритюрникът да е винаги напълнен с мазнина до ниво между означенията MIN и MAX отвътре на вътрешната купа, за да се предотврати изкипяване или прегряване.
- Не включвайте уреда, преди да сте го заредили с олио или друга мазнина, тъй като това може да го повреди.

Електромагнитни излъчвания (EMF)

Този уред Philips е в съответствие с всички стандарти по отношение на електромагнитните излъчвания (EMF). Ако се употребява правилно и съобразно напътствията в Ръководството, уредът е безопасен за използване според наличните досега научни факти.

Подготовка за употреба

1 Преди първата употреба почистете уреда (вж. раздел “Почистване”).

Погрижете се всички части да са сухи, преди да напълните фритюрника с олио или мазнина.

2 Натиснете бутона за освобождаване, за да отворите капака (фиг. 2).

3 Проверете в таблицата за мазнината за определяне колко мазнина ще трябва да налеете във фритюрника (фиг. 3).

4 Заредете фритюрника с олио, течна мазнина за пържене или разтопена твърда мазнина до равнище между обозначенията MIN и MAX и затворете капака (фиг. 4).

Не включвайте уреда, преди да сте го заредили с олио или мазнина.

Олио и други мазнини

Не смесвайте различните видове олио и мазнини, както и никога не доливайте прясна мазнина към вече използваната.

- Препоръчваме ви да използвате олио за пържене или течна мазнина за пържене, за предпочитане растително олио или мазнина, богата на ненаситени мастни киселини (напр. линолова киселина), напр. соево, кокосово, царевично или слънчогледово масло.
- Поради твърде бързото загубване на добрите свойства на олиото и другите мазнини, последните трябва редовно да се подменят (на 10-12 пържения).
- Непременно сменяйте мазнината, ако започне да се разпенва при нагряване, ако има силна миризма или вкус или ако потъмнее и/или стане като сироп.

Твърда мазнина

Може да се използва твърда мазнина за пържене. В такъв случай са необходими извънредни предпазни мерки, за да се предотврати пръскане на мазнината и прегряване или повреда на нагревателния елемент.

- 1 Ако искате да използвате нови блокчета твърда мазнина, разтопете ги бавно на слаб огън в обикновен тиган.
- 2 Внимателно налейте разтопената мазнина във фритюрника.
- 3 Съхранявайте фритюрника при стайна температура, ако в него има останала втвърдена мазнина.
- 4 Ако мазнината е много студена, тя може да започне да пръска при разтопяване. Прободете на няколко места с вилица замръзналата мазнина, за да предотвратите това (фиг. 5).

Внимавайте да не повредите с вилицата вътрешния съд.

Използване на уреда

- 1 Извадете цялата дължина на кабела от отделението за прибирането му и включете щепсела в мрежовия контакт (фиг. 6).
- 2 Включете фритюрника (фиг. 7).
 - ▶ Светва температурният индикатор (фиг. 8).
- 3 Настройте регулатора на температурата на необходимата температура (погледнете опаковката на храната за пържене или в таблицата на храните в края на брошурата).
- 4 Изчакайте угасването на светлината (това става за 10 до 15 минути).
- 5 Разгънете дръжката на кошницата за пържене (фиг. 9).
- 6 Отворете капака (фиг. 2).
- 7 Извадете кошницата от фритюрника и сложете в него продуктите за пържене (фиг. 10).

Не пържете много големи количества хранителни продукти наведнъж. Не надвишавайте посочените количества в таблицата на храните в края на брошурата (☞ обозначава препоръчителните количества).

- 8 Сложете кошницата върху скобата във фритюрника, но без да я спускате в мазнината (фиг. 11).
- 9 Затворете капака.
- 10 Натиснете бутона на дръжката на кошницата и сгънете дръжката към тялото на фритюрника. Кошницата автоматично се потапя в мазнината. (фиг. 12)

При пържене лампичката за температурата светва и угасва от време на време и така показва, че загряващият елемент се включва и изключва за поддържане на необходимата температура.

Таймер

Забележка: Таймерът може да се използва и за други цели, примерно като обикновен кухненски таймер.

Настройване на таймера

- 1 Натискайте бутона на таймера, за да зададете времето за пържене в минути. (фиг. 13)
 - ▶ Няколко секунди след задаването на времето за пържене таймерът започва обратно броене.

- ▶ Докато таймерът отброява, на дисплея мига оставащото време за пържене. Последната минута се показва в секунди.
- ▶ Когато изтече предварително зададеното време, ще чуете звук на сигнал. След 10 секунди звуковият сигнал се повтаря. Натиснете бутона на таймера, за да спрете звуковите сигнали.

Забележка: Забележка: можете да изтриете настройката на таймера с натискане и задържане на бутона му в продължение на 2 секунди (от момента, в който таймерът започне да мига), докато се появи “00”.

След изпържването

1 Разгънете дръжката на кошницата за пържене (фиг. 9).

2 Отворете капака (фиг. 2).

Пазете се от горещата пара.

3 Извадете кошницата от фритюрника и изтръскайте излишната мазнина от него.

4 Поставете изпържената храна в съд или гевгир с поставена маслопопиваща хартия, напр. кухненска хартия.

5 Насладете се на пърженото.

Ако желаете да изпържите следваща партида, изчакайте угасването на светлинната индикация за температурата.

6 Натиснете ключа за вкл./изкл., за да изключите фритюрника.

7 Поставете кошницата във фритюрника.

8 Затворете капака.

9 Изключвайте уреда от контакта след употреба.

Забележка: Ако не ползвате фритюрника редовно, препоръчваме изсипването на олиото или мазнината и съхранението им в добре затворен съд, най-добре в хладилника или на друго хладно място.

Съвети за пържене

- За справка относно времената за готвене и температурата за пържене вижте таблицата в края на брошурата.
- Грижливо изтръскавайте колкото е възможно повече лед и вода и отупвайте продуктите за пържене, докато ги изсушите достатъчно.
- Не пържете много големи количества хранителни продукти наведнъж. Не надвишавайте посочените количества в края на брошурата (☞ обозначава препоръчителните количества).

Премахване на неприятен вкус

Някои видове храни, особено рибата, могат да придадат на мазнината неприятен вкус. За да неутрализирате неприятния вкус на мазнината:

1 Нагрейте мазнината до температура 160°C.

2 Пуснете две тънки филийки хляб или няколко стръка магданоз в олиото.

3 Изчакайте да престанат да се появяват мехури и след това с лопатка изгребете от фритюрника хляба или магданоза.

Сега мазнината отново ще е с неутрален вкус.

Прясно изпържени картофки

Можете да пригответе най-вкусни и хрупкави пържени картофки по следния начин:

- 1** Вземете твърди картофи и ги нарежете на пръчици. Изплакнете пръчиците със студена вода.

Това ще ги предпази от залепване една към друга по време на пърженето.

Забележка: Подсушете старателно пръчиците.

- 2** Изпържете картофките на два пъти: първия път - за 4-6 минути при температура 160°C, втория път - за 5-8 минути при температура 175°C.

Изчакайте картофките да изстинат, преди да ги пържите за втори път.

- 3** Изсипете домашно пригответените пържени картофки в съд и ги разбъркайте.

Почистване

Никога не използвайте за почистване на уреда фибро гъби, абразивни почистващи препарати или агресивни течности, като бензин или ацетон.

- 1** Отворете капака (фиг. 2).
- 2** Оставете олиото или мазнината да се изстине напълно (най-малко 4 часа), преди да почиствате или премествате фритюрника.
- 3** Издърпайте капака нагоре, за да го свалите (фиг. 14).
- 4** Извадете кошницата за пържене от уреда (фиг. 10).
- 5** Излейте мазнината (фиг. 15).

Функция PreClean

Този уред е снабден с функция за предварително почистване PreClean, която дава възможност вътрешният съд да се наксисне с гореща вода и миеш препарат с цел по-лесно почистване.

Преди използването на тази функция трябва да сте сигурни, че мазнината е изсипана от вътрешния съд.

- 1** Напълнете вътрешния съд със студена вода до три четвърти от вместимостта му и добавете малко течен миеш препарат. (фиг. 16)
- 2** Включете щепсела в контакта.
- 3** Включете уреда (фиг. 7).
- 4** Поставете регулатора на температурата в позицията за функцията PreClean. (фиг. 8)
 ▶ Водата се загорява до температура малко под точката на кипене.
- 5** След 30 минути изключете уреда и извадете щепсела от контакта.
- 6** Излейте водата от вътрешния съд и го почистете, както е описано по-долу.

Почистване на уреда

- 1** Почистете съда, капака и кошницата за пържене с гореща вода и течен миеш препарат. Изплакнете ги със студена вода и старателно ги подсушете.

Капакът и кошницата за пържене могат да се измият и в съдомиялна машина.

- 2** Почистете корпуса с влажна кърпа (с малко течен миеш препарат) и/или с кухненска хартия.

Можете да почиствате таймера с влажна кърпа.

Не потапяйте корпуса на фритюрника и таймера във вода.

Погрижете се всички части да са сухи, преди да напълните фритюрника с олио или мазнина.

Съхранение

- 1** Оставете олиото или мазнината да се изстине напълно (най-малко 4 часа), преди да прибирате фритюрника.
- 2** Сложете всички части обратно във/на фритюрника и затворете капака.
- 3** Сгънете шнура в отделението за прибиране на шнура. (фиг. 6)
- 4** Повдигнете фритюрника за дръжките и го поставете на мястото му за съхранение (фиг. 17).

Опазване на околната среда

- След края на срока на експлоатация на уреда не го изхвърляйте заедно с нормалните битови отпадъци, а го предайте в официален пункт за събиране, където да бъде рециклиран. По този начин вие помагате за опазването на околната среда (фиг. 18).
- Батериите съдържат вещества, които могат да замърсят околната среда. Не изхвърляйте батериите заедно с обикновените битови отпадъци, а ги предайте в специализиран пункт за събиране на батерии. Винаги изваждайте батерията на таймера, преди да го изхвърлите и предадете в официален пункт за отпадъци.

Изваждане на батерията на таймера

- 1** Използвайте малка отвертка с плосък връх, за да свалите предната стена на таймера (фиг. 19).
- 2** Извадете батерията.

Гаранция и сервизно обслужване

Ако се нуждаете от сервизно обслужване или информация или имате проблем, посетете уеб сайта на Philips на адрес www.philips.com или се обърнете към Центъра за обслужване на потребители на Philips във вашата държава (телефонния му номер ще намерите в международната гаранционна карта). Ако във вашата държава няма Център за обслужване на потребители, обърнете се към местния търговец на уреди на Philips.

Отстраняване на неизправности

В този раздел са обобщени най-често срещаните проблеми, на които можете да се натъкнете при ползване на този уред. Ако не можете да разрешите проблема с помощта на долните указания, свържете се с Центъра за обслужване на потребители във вашата страна.

Проблем	Вероятна причина	Решение
Изпържените продукти не са със златисто-кафяв цвят и/или не са хрупкави.	Избраната температура е прекалено ниска и/или продуктите не са пържени достатъчно дълго.	Проверете на опаковката на продуктите или в таблицата в края на тази брошура дали са правилни зададените от вас температура и/или време за приготвяне. Изберете правилната температура с температурния регулатор.

Проблем	Вероятна причина	Решение
	В коша има прекалено много продукти.	Не пържете наведнъж по-големи количества от указаните в таблицата на храните в края на брошурата.
Фритюрникът не работи.	Задействал се е термичният предпазител.	Обърнете се към упълномощен търговец или сервиз на Philips за подмяна на предпазителя.
Фритюрникът отделя силна неприятна миризма.	Постоянният филтър за мазнини е задръстен.	Свалете капака и почистете капака и филтъра в гореща вода с малко миещ препарат или в съдомиялна машина.
	Мазнината вече не е прясна.	Сменете мазнината. Редовно прецеждайте олиото и другите мазнини, за да ги запазвате по-дълго пресни.
	Използваният вид олио или друга мазнина не са подходящи за пържене на храна в дълбок съд.	Използвайте олио или течна мазнина за пържене с добро качество. Никога не смесвайте различните видове олио или други мазнини.
Излиза пара не само от филтъра, а и от други места.	Капакът не е затворен добре.	Затворете добре капака.
	Постоянният филтър за мазнини е задръстен.	Свалете капака и почистете капака и филтъра в гореща вода с малко миещ препарат или в съдомиялна машина.
По ръба на фритюрника прелива мазнина по време на пържене.	Във фритюрника има прекалено много мазнина.	Проверете дали мазнината във фритюрника не превишава знака MAX за максимално ниво.
	Хранителните продукти съдържат прекалено много влага.	Подсушете старателно продуктите, преди да започнете да ги пържите, и ги пържете съгласно указанията в това ръководство за експлоатация.
	В кошницата за пържене има прекалено много продукти.	Не пържете наведнъж по-големи количества хранителни продукти от указаните в таблицата на храните в края на брошурата.
Мазнината се разпенва силно по време на пържене.	Хранителните продукти съдържат прекалено много влага.	Подсушете старателно продуктите, преди да ги пържите.
	Използваният вид олио или друга мазнина не са подходящи за пържене на храна в дълбок съд.	Използвайте олио или течна мазнина за пържене с добро качество. Никога не смесвайте различните видове олио или други мазнини.

Проблем	Вероятна причина	Решение
	Не сте почистили добре вътрешния съд.	Почистете вътрешния съд (вж. раздел "Почистване").

Таблица на храните (фиг. 20)

Úvod

Blahopřejeme vám k nákupu a vítáme vás ve společnosti Philips. Abyste mohli plně využít podpory, kterou Philips poskytuje, zaregistrujte svůj výrobek na adrese www.philips.com/welcome.

Všeobecný popis (Obr. 1)

- A Fritovací koš
- B Víko
- C Označení ‚MIN‘ a ‚MAX‘
- D Příhrádka pro uložení kabelu
- E Kabel
- F Integrované rukojeti
- G Samostatný digitální časovač
- H Vypínač pro zapnutí/vypnutí
- I Řízení teploty
- J Funkce PreClean
- K Kontrolka teploty
- L Tlačítko pro uvolnění víka
- M Vnitřní nádoba
- N Vylévací zařízení

Důležité

Před použitím přístroje si pečlivě přečtěte tuto uživatelskou příručku a uschovejte ji pro budoucí použití.

Nebezpečí

- Nikdy neumývejte kryt obsahující elektrické součásti a topné tělísko ve vodě ani jej neoplachujte pod kohoutkem.

Upozornění

- Dříve než přístroj připojíte do sítě, zkontrolujte, zda napětí uvedené na přístroji souhlasí s napětím v místní elektrické síti.
- Pokud byste zjistili závadu na zástrčce, na síťové šňůře nebo na přístroji, dále jej nepoužívejte.
- Pokud by byla poškozena síťová šňůra, musí její výměnu provést společnost Philips, autorizovaný servis společnosti Philips nebo obdobně kvalifikovaní pracovníci, aby se předešlo možnému nebezpečí.
- Osoby (včetně dětí) s omezenými fyzickými, smyslovými nebo duševními schopnostmi nebo nedostatkem zkušeností a znalostí by neměly s přístrojem manipulovat, pokud nebyly o používání přístroje předem poučeny nebo nejsou pod dohledem osoby zodpovědné za jejich bezpečnost.
- Dohlédněte na to, aby si s přístrojem nehrály děti.
- Dbejte na to, aby byla síťová šňůra mimo dosah dětí. Nenechávejte síťovou šňůru viset přes hranu stolu nebo pracovní desky, na které je přístroj postaven.
- Přístroj připojte výhradně do řádně uzemněných zásuvek.
- V průběhu fritování vystupují filtrem horké výpary. Držte proto ruce i obličej v bezpečné vzdálenosti od páry. Musíte také dávat pozor na horkou páru vystupující po otevření víka.
- Přístroj není určen k tomu, aby byl ovládán pomocí externího časovače nebo samostatného dálkového ovladače.

Upozornění

- Kontrolu nebo opravu přístroje svěřte vždy servisu společnosti Philips. Nepokoušejte se přístroj opravit sami, záruka by pozbyla platnosti.
- Přístroj postavte na vodorovnou, pevnou a stabilní podložku.
- Nedotýkejte se kontrolního okénka, protože se v průběhu fritování může silně zahřát.

- Přístroj je určen výhradně pro použití v domácnosti. Pokud by byl používán nesprávným způsobem, pro profesionální či poloprofesionální účely nebo v případě použití v rozporu s pokyny v tomto návodu, pozbývá záruka platnosti a společnost Philips odmítá jakoukoliv zodpovědnost za způsobené škody.
- Fritujte do zlatožluta místo do tmavohněda a odstraňujte spálené zbytky! Škrobovitě potraviny, zejména produkty z brambor nebo obilnin, nefritujte při teplotách nad 175 °C (minimalizujete tak tvorbu akrylamidů).
- Zabraňujte kontaktu vody nebo ledu s olejem či tukem, který by mohl způsobit vyprsknutí nebo zvýšené bublání oleje či tuku. Aby tato ochrana fungovala, odstraňte před začátkem smažení ze zmrazených surovin veškerý přebytečný led a důkladně je osušte. Nepřepřiluhujte fritovací koš. Po vyčištění důkladně osušte všechny části, než do fritézy znovu nalijete olej nebo tuk.
- V tomto přístroji nefritujte asijské rýžové koláčky (ani podobné typy jídla). Mohlo by to způsobit vyprsknutí nebo zvýšené bublání oleje či tuku.
- Dbejte, aby fritéza byla vždy naplněna olejem nebo tukem do výšky vyznačené ukazateli ‚MIN‘ a ‚MAX‘ uvnitř vnitřní nádoby, aby nedošlo k jeho přetečení nebo přehřátí.
- Přístroj nezapínejte, pokud jste jej předtím nenaplnili olejem nebo tukem – mohlo by dojít k jeho poškození.

Elektromagnetická pole (EMP)

Tento přístroj společnosti Philips odpovídá všem normám týkajícím se elektromagnetických polí (EMP). Pokud je správně používán v souladu s pokyny uvedenými v této uživatelské příručce, je jeho použití podle dosud dostupných vědeckých poznatků bezpečné.

Příprava k použití

- 1** Před prvním použitím přístroj vyčistěte (viz kapitola „Čištění“).

Než fritézu naplníte olejem nebo tukem, přesvědčte se, že jsou všechny její díly zcela suché.

- 2** Stiskněte uvolňovací tlačítko víka a víko otevřete (Obr. 2).

- 3** Prostudujte tabulku objemů oleje/tuku a určete, kolik oleje nebo tuku musíte do fritézy nalít (Obr. 3).

- 4** Fritézu naplníte olejem nebo tekutým či rozpuštěným tukem na fritování po úroveň hladiny mezi ukazateli ‚MIN‘ a ‚MAX‘ a zavřete víko (Obr. 4).

Přístroj nezapínejte, pokud jste ho ještě nenaplnili olejem nebo tukem.

Olej a tuk

Nikdy nesměšujte různé druhy olejů nebo tuků a nikdy nepřidávejte nový olej nebo tuk k použitému.

- Doporučujeme používat fritovací olej nebo tekutý tuk. Používejte raději rostlinný olej nebo tuk bohatý na nenasycené tuky (například na kyselinu linolovou), například sójový, arašídový, kukuřičný nebo slunečnicový olej.
- Protože olej nebo tuk ztrácí své dobré vlastnosti poměrně rychle, měli byste ho pravidelně měnit (po 10. - 12. použití).
- Olej nebo tuk vyměňte vždy, když začne při ohřevu pění, když vydává silný zápach nebo když nadměrně ztmavne nebo zhoustne.

Pevný tuk

Použit lze i pevný tuk na smažení, v takovém případě však musíte učinit opatření, abyste zabránili jeho vystřikování a případnému přehřátí, a tím i poškození topného tělesa.


- 1** Pokud rozpouštíte nový blok pevného tuku, rozpustěte ho nejprve na normální pánvi zvolna a při nižší teplotě.

- 2 Pak rozpuštěný tuk opatrně nalijte do fritézy.
- 3 Fritézu s rozpuštěným tukem uchovávejte vždy v pokojové teplotě.
- 4 Pokud je tuk velmi studený, může při rozpouštění začít vystříkovat. Abyste tomu zabránili, propíchejte ve ztuženém tuku vidličkou otvory (Obr. 5).

Dbejte však na to, abyste vidličkou nepoškodili povrch vnitřní nádoby.

Použití přístroje

- 1 Vyměňte z úložného prostoru přírodní kabel v celé jeho délce a zasuňte síťovou zástrčku do zásuvky (Obr. 6).
- 2 Zapněte fritézu (Obr. 7).
 - ▷ Rozsvítí se kontrolka teploty (Obr. 8).
- 3 Regulátorem teploty nastavte požadovanou teplotu (viz informace na obalu fritovaných potravin nebo v tabulce potravin na konci tohoto návodu).
- 4 Počkejte, až se rozsvítí zelená kontrolka teploty (trvá to asi 10 až 15 minut).
- 5 Narovnejte rukojeť fritovacího koše (Obr. 9).
- 6 Otevřete víko (Obr. 2).
- 7 Vyměňte fritovací koš z fritézy a naplňte ho potravinami (Obr. 10).

Nefritujte současně nadměrná množství potravin. Nepřekračujte množství uvedená v tabulce potravin na konci tohoto návodu (symbol  označuje doporučené množství).

- 8 Koš vložte do fritézy, ale zatím jej neponořte do oleje nebo tuku (Obr. 11).
 - 9 Uzavřete víko.
 - 10 Stiskněte tlačítko pro uvolnění na úchyty koše a opatrně přetáhněte rukojeť koše přes fritézu. Koš se automaticky ponoří do oleje nebo tuku. (Obr. 12)
- Během fritování se kontrolka teploty čas od času rozsvěcuje a zhasíná, což znamená, že topné těleso je zapnuté nebo vypnuté, a tím udržuje správnou teplotu.

Časovač

Poznámka: Časovač se dá použít i k jiným účelům, například jako běžný kuchyňský časovač.

Nastavení časovače

- 1 Stisknutím tlačítka časovače nastavte dobu přípravy v minutách. (Obr. 13)
 - ▷ Několik sekund po nastavení doby fritování začne časovač odpočítávat čas.
 - ▷ Během odpočítávání času bliká na displeji zbývající čas přípravy. Poslední minuta je pak zobrazena v sekundách.
 - ▷ Po uplynutí přednastaveného času zazní zvukový signál. Ten se po 10 sekundách opakuje. Stisknutím tlačítka časovače signál ukončíte.

Poznámka: Nastavení časovače můžete smazat stisknutím tlačítka časovače na 2 sekundy (ve chvíli, kdy začne blikat), dokud se neobjeví hodnota 00.

Po ukončeném fritování


- 1 Narovnejte držák fritovacího koše (Obr. 9).
- 2 Otevřete víko (Obr. 2).

Dejte pozor na horké výpary.

- 3** Z fritézy vyjměte fritovací koš a oklepejte přebytečný olej nebo tuk.
- 4** Hotové jídlo vložte do misky nebo cedníku, potaženého papírem sajícím mastnotu, například papírovou utěrkou.
- 5** Přejeme dobrou chuť.
Pokud chcete fritovat další dávku, počkejte, dokud kontrolka teploty nezhasne.
- 6** Stisknutím spínače/vypínače fritézu vypněte.
- 7** Vložte koš do fritézy.
- 8** Uzavřete víko.
- 9** Po použití vytáhněte síťovou zástrčku přístroje ze zásuvky.

Poznámka: Pokud nepoužíváte fritézu pravidelně, doporučujeme vylít olej nebo tekutý tuk a uschovat jej v dobře zavřených nádobách, nejlépe v chladničce nebo na chladném místě.

Rady pro fritování

- Informace o dobách přípravy a nastavení teplot naleznete v tabulkách potravin na konci tohoto návodu.
- Opatrně oklepejte z potravin led a protřepáním odstraňte vodu a vložte je do fritézy až když jsou dostatečně suché.
- Nefritujte současně nadměrná množství potravin. Nepřekračujte množství uvedená na konci tohoto návodu (symbol  označuje doporučené množství).

Odstranění nepříjemného zápachu

Určité potraviny, například ryby, mohou oleji nebo tuku dát nepříjemnou zápach. Tento zápach můžete neutralizovat následujícím způsobem:

- 1** Ohřejte olej nebo tuk na teplotu 160 °C.
- 2** Vložte do oleje dva plátky chleba nebo několik výhonků petržele.
- 3** Vyčkejte až se přestanou tvořit bublinky a pak chléb nebo výhonky petržele vyjměte například pomocí stěrky.
Olej nebo tuk bude mít nyní neutrální chuť.

Domácí bramborové hranolky

Nejchutnější a nejkrupavější bramborové hranolky připravíte následujícím způsobem:

- 1** Použijte tuhé brambory a nakrájejte z nich hranolky. Hranolky omyjte pod studenou vodou. To zabrání jejich vzájemnému slepení během fritování.

Poznámka: Hranolky pečlivě osušte.

- 2** Fritujte je ve dvou fázích: první fáze bude trvat 4 až 6 minut při teplotě 160 °C, druhá fáze bude trvat 5 až 8 minut při teplotě 175 °C.
Před druhým fritováním nechte hranolky vychladnout.
- 3** Vložte doma připravené bramborové hranolky do misky a protřepte je.

Čištění

K čištění přístroje nikdy nepoužívejte kovové žínky, abrazivní čisticí prostředky ani agresivní čisticí prostředky, jako je například benzín nebo aceton.

- 1** Otevřete víko (Obr. 2).

- 2 Před čištěním nebo přenášením fritézy nechte olej nebo tuk zcela vychladnout alespoň 4 hodiny.
- 3 Víko vytáhnete zatažením směrem nahoru (Obr. 14).
- 4 Vytáhněte koš na smažení z fritézy (Obr. 10).
- 5 Vylijte olej nebo tuk (Obr. 15).

Funkce PreClean

Tento přístroj je vybaven funkcí PreClean, která umožňuje namočit povrch vnitřní nádoby horkou vodou s přídavkem mycího prostředku, což usnadní její důkladné vyčištění.

Přesvědčte se, že jste vylili olej nebo tuk z vnitřní nádoby, než tuto funkci použijete.

- 1 Vnitřní nádobu fritézy naplňte studenou vodou asi do tří čtvrtin obsahu a přidejte trochu mycího prostředku. (Obr. 16)
- 2 Zasuňte zástrčku do síťové zásuvky.
- 3 Zapněte přístroj (Obr. 7).
- 4 Nastavte regulátor teploty na funkci PreClean. (Obr. 8)
 - ▶ Voda se ohřeje na teplotu těsně pod bodem varu.
- 5 Po 30 minutách vypněte přístroj a odpojte jej ze sítě.
- 6 Vylijte vodu z vnitřní nádoby a vyčistěte ji podle návodu uvedeného dále.

Čištění přístroje

- 1 Mísu, víko a fritovací koš čistěte v horké vodě s přídavkem mycího prostředku. Opláchněte součásti čerstvou vodou a důkladně je vysušte.

Víko a fritovací koš můžete umýt také v myčce.

- 2 Jednotku fritézy čistěte navlhčeným hadříkem nebo kuchyňskou utěrkou (s přídavkem mycího prostředku).

K čištění časovače použijte navlhčený hadřík.

Jednotku fritézy ani časovač nikdy neponořujte do vody.

Než fritézu naplníte olejem nebo tukem, přesvědčte se, že jsou všechny její díly zcela suché.

Skladování

- 1 Před uskladněním fritézy nechte olej nebo tuk zcela vychladnout alespoň 4 hodiny.
- 2 Vložte všechny součásti zpět do fritézy a zavřete víko.
- 3 Zasuňte kabel do úschovného prostoru. (Obr. 6)
- 4 Fritézu zvedněte za rukojeti a uklid'te ji (Obr. 17).

Životní prostředí

- Až přístroj doslouží, nevyhazujte jej do běžného komunálního odpadu, ale odevzdejte jej do sběrný určené pro recyklaci. Pomůžete tím chránit životní prostředí (Obr. 18).
- Baterie obsahují látky, které mohou škodit životnímu prostředí. Nelikvidujte baterie spolu s běžným komunálním odpadem, ale odevzdejte je na oficiálním sběrném místě pro baterie. Před likvidací baterie časovače nebo odevzdáním na oficiálním sběrném místě baterii vždy vyjměte.

Vyjmutí baterie časovače

1 K vyjmutí přední části časovače použijte malý plochý šroubovák (Obr. 19).

2 Vyjměte baterii.

Záruka a servis

Pokud budete potřebovat servis, informace nebo pokud dojde k potížím, navštivte webovou stránku společnosti Philips www.philips.com nebo se obraťte na středisko péče o zákazníky společnosti Philips ve své zemi (telefonní číslo na střediska najdete v letáčku s celosvětovou zárukou). Pokud se ve vaší zemi středisko péče o zákazníky nenachází, můžete kontaktovat místního dodavatele výrobků Philips.

Odstraňování problémů

V této kapitole jsou shrnuty nejběžnější problémy, se kterými se můžete u přístroje setkat. Pokud se vám nepodaří problém vyřešit podle následujících informací, kontaktujte Středisko péče o zákazníky ve své zemi.

Problém	Možná příčina	Řešení
Potraviny nemají správně nazlátlou barvu nebo nejsou dostatečně chřupavé.	Zvolená teplota byla příliš nízká nebo potraviny nebyly fritovány dostatečně dlouho.	Zkontrolujte informace na obalu fritované potraviny nebo v tabulce potravin na konci tohoto návodu a zjistěte, zda souhlasí s nastavenou teplotou a s doporučenou dobou fritování. Fritovací teplotu nastavte na správnou teplotu.
	Ve fritovacím koši bylo příliš mnoho potravin.	Nikdy najednou nefritujte větší množství potravin, než je uvedeno v tabulce potravin na konci tohoto návodu.
Fritéza nefunguje.	Aktivovala se bezpečnostní tepelná pojistka.	O výměnu pojistky požádejte zástupce společnosti Philips nebo servisní středisko autorizované společností Philips.
Fritéza vydává nepříjemný zápach.	Trvalý filtr proti tukovým výparům ve víku fritézy je ucpaný nebo znečištěn.	Sejměte víko a umyjte víko i filtr v horké vodě s trochou mycího prostředku nebo v myčce na nádobí.
	Olej nebo tuk již nejsou čerstvé.	Olej nebo tuk vyměňte. Pravidelně olej nebo tuk přecedte, tím ho udržte déle čerstvý.
	Použitý olej nebo tuk není vhodný pro fritování.	Používejte olej nebo tuk dobré kvality. Nikdy nemíchejte dva různé druhy oleje nebo tuku.
Výpary vystupují z jiných míst než z filtru.	Víko není správně zavřeno.	Řádně zavřete víko.
	Trvalý filtr proti tukovým výparům ve víku fritézy je ucpaný nebo znečištěn.	Sejměte víko a umyjte víko i filtr v horké vodě s trochou mycího prostředku nebo v myčce na nádobí.
Olej nebo tuk vytéká přes hrany fritézy.	Ve fritéze je příliš mnoho oleje nebo tuku.	Zkontrolujte, zda hladina oleje nebo tuku ve fritéze nedosahuje nad ukazatel „MAX“.

Problém	Možná příčina	Řešení
	Potraviny obsahují mnoho vlhkosti.	Před začátkem smažení jídlo řádně vysušte a fritujte je v souladu s tímto návodem k použití.
	Ve fritovacím koši je příliš mnoho potravin.	Nefritujte najednou větší množství potravin, než je uvedeno v tabulce potravin na konci tohoto návodu.
Olej nebo tuk při fritování nadměrně pění.	Potraviny obsahují mnoho vlhkosti.	Před smažením potraviny řádně vysušte.
	Použitý olej nebo tuk není vhodný pro fritování potravin.	Používejte olej nebo tuk dobré kvality. Nikdy nemíchejte dva různé druhy oleje nebo tuku.
	Nevyčistili jste řádně vnitřní nádobu.	Vyčistěte vnitřní nádobu (viz kapitola „Čištění“).

Tabulka pokrmů (Obr. 20)

Sissejuhatus

Õnnitleme teid ostu puhul ning tere tulemast kasutama Philipsi tooteid! Philipsi klienditoe tõhusamaks kasutamiseks registreerige toode veebilehel www.philips.com/welcome.

Üldine kirjeldus (Jn 1)

- A Frittimiskorv
- B Kaas
- C „MIN“ ja „MAX“ märgised
- D Toitejuhtme hoiustamispesa
- E Toitejuhe
- F Sisseehitatud käepidemed
- G Eraldiolev digitaalne taimer
- H Sisse-välja lüliti
- I Temperatuuriregulaator
- J Eelpuhastusfunktsioon
- K Temperatuuri märgutuli
- L Kaanevabastusnupp
- M Sisemine nõu
- N Väljalamamise abinõu

Tähtis

Enne seadme kasutamist lugege seda kasutusjuhendit hoolikalt ja hoidke see edaspidiseks alles.

Oht

- Kunagi ärge kastke elektrilisi osi ja küttekeha sisaldavat korpust vette ega loputage seda kraani all!

Hoiatus

- Enne seadme ühendamist vooluvõrku kontrollige, kas seadmele märgitud toitepinge vastab kohaliku elektrivõrgu pingele.
- Ärge kasutage seadet, kui selle pistik, toitejuhe või seade ise on kahjustatud.
- Kui toitejuhe on kahjustatud, peab selle ohtlike olukordade vältimiseks uue vastu vahetama Philips, Philipsi volitatud hoolduskeskus või samaväärset kvalifikatsiooni omav isik.
- Seda seadet ei tohi kasutada füüsilise, meele- või vaimse häirega isikud ega ka ebapiisavate kogemuste või teadmistega isikud (kaasa arvatud lapsed), välja arvatud juhul, kui nende ohutuse eest vastutav isik neid seadme kasutamise juures valvab või on neid selleks juhendanud.
- Lapsi tuleks jälgida, et nad ei mängiks seadmega.
- Hoidke toitejuhe laste käeulatuses kaugemal. Ärge jätke toitejuhet rippuma üle lauaserva või tööpinna, millel seade asub.
- Ühendage seade vaid maandatud seinakontakti.
- Valmistamise ajal tuleb kaanes olevast filtrist kuuma auru. Hoidke käed ja nägu kuumast aurust eemal. Samuti olge ettevaatlik ka fritteri kaane avamisel, sest fritterist eraldub kuuma auru.
- Seade ei ole mõeldud välise taimeri või eraldi kaugjuhtimissüsteemi abil kasutamiseks.

Ettevaatust

- Alati viige seade remontimiseks või kontrollimiseks Philipsi volitatud hoolduskeskusesse. Ärge parandage seadet ise, vastasel juhul muutub garantii kehtetuks.
- Paigaldage seade horisontaalsele, tasasele ja kindlale pinnale.
- Ärge puudutage vaateakent, sest see läheb frittimise ajal kuumaks.
- Seda seadet saab kasutada ainult koduses majapidamises. Seadme väärkasutusel, kasutamisel professionaalsel või poolprofessionaalsel eesmärgil, aga ka siis kui seadet ei kasutata kasutusjuhendile vastavalt, kaotab garantii kehtivuse, kusjuures Philips ei võta endale vastutust põhjustatud kahjustuste eest.

- Frittige toit kuld kollaseks või pruuniks ning eemaldage kõrbenud osad! Ärge frittige tärklist sisaldavaid, nt kartuli- ja teraviljatooteid temperatuuril, mis on kõrgem kui 175 °C (et vähendada akrüülamiidi teket).
- Ärge laske õli või rasva vee ja/või jääga kokku puutuda, sest selle tulemusel võib õli või rasv hakata rohkelt pritsima või hädaohtlikult mullitama. Selle ärahoidmiseks eemaldage enne külmutatud toiduainete frittimist liigne jää ja kuivatage need hoolikalt. Ärge korvi ülemääraselt täitke. Enne kui panete pärast puhastamist õli või rasva fritterisse, kuivatage kõik osad hoolikalt.
- Ärge frittige selles seadmes aasia riisikooke (või sarnast tüüpi toitu). See võib tekitada rikkalikke pritsmeid või hädaohtlikke õli- või rasvamulle.
- Veenduge selles, et fritter oleks ülevoolumise või ülekuumenemise vältimiseks alati täidetud õli või rasvaga sisemise nõu sisekülgedel oleva „MIN” või „MAX” märgise vahelise tasemeni.
- Ärge lülitage seadet sisse enne, kui olete selle õli või rasvaga täitnud, vastasel juhul võite seadme kahjustada.

Elektromagnetväljad (EMF)

See Philipsi seade vastab kõikidele elektromagnetvälju (EMF) käsitlevatele standarditele. Kui seadet käsitsetakse õigesti ja käesolevale kasutusjuhendile vastavalt, on seadet tänapäevaste teaduslike tõendite alusel ohutu kasutada.

Kasutamiseks valmistumine

1 Enne seadme esmakasutust puhastage seade (vt pt „Puhastamine”).

enne fritteri täitmist õli või rasvaga, veenduge et kõik osad on kuivad.

2 Kaane avamiseks vajutage vabastamisnupule (Jn 2).

3 Vaadake õli/rasva tabelist, kui palju õli või rasva peate fritterisse panema (Jn 3).

4 Täitke fritter õliga, vedela frittimisrasvaga või sulatatud tahke rasvaga tasemeni, mis jääks märgiste „MIN” ja „MAX” vahele ning sulgege kaas (Jn 4).

ärge lülitage seadet enne õli või rasvaga täitmist sisse.

Õli ja rasv

Ärge segage omavahel erinevat liiki õli või rasva ning ärge lisage uut õli või rasva kasutatud õlile või rasvale.

- Soovitame kasutada praadimisõli või vedelat praadimisrasva. Eelistama peaks kõõgiljadest pressitud õli või küllastamata rasvaineterikast rasva (nt linoolhappega), nagu soja-, maapähkli-, maisi- või päevalilleõli.
- Kuna õli ja rasv kaotavad oma soodsad omadused üsna kiiresti, peaksite õli või rasva regulaarselt vahetama (pärast 10-12 kasutuskorda).
- Vahetage õli või rasva, kui see hakkab kuumutamisel vahutama, sellel on kirbe maitse või lõhn või kui see muutub tumedaks ja / või venivaks.

Tahke rasv

Võite kasutada ka tahket frittimisrasva. Selle kasutamisel peate rasva pritsimise, seadme ülekuumenemise või kahjustamise ärahoidmiseks erilisi ettevaatusabinõusid kasutama.

- 1** Kui soovite kasutada uusi tahke rasva tükke, siis sulatage need tavalisel pannil madalal temperatuuril.
- 2** Kallake sulanud rasv ettevaatlikult fritterisse.
- 3** Hoidke sulatatud rasvaga täidetud fritterit toatemperatuuril.
- 4** Kui rasv muutub väga külmaks, võib see hakata sulamise ajal pritsima. Pritsimise vältimiseks torgake kahvliga hangunud rasva sisse augud (Jn 5).

Seejuures olge ettevaatlik, et te ei kahjustaks kütteelementi.

Seadme kasutamine

- 1 Võtke kogu toitejuhe juhtmepesast välja ning lükake pistik pistikupessa (Jn 6).
- 2 Lülitage fritter sisse (Jn 7).
 - ▷ Temperatuuri märgutuli süttib (Jn 8).
- 3 Seadistage temperatuuri regulaator soovitud temperatuurile (lugege juhiseid frititava toiduaine pakendilt või käesoleva juhendi lõpus olevast toidutabelist).
- 4 Oodake, kuni temperatuuri indikaatorituli kustub (selleks kulub 10-15 minutit).
- 5 Pöörake frittimiskorvi käepidet (Jn 9).
- 6 Avage kaas (Jn 2).
- 7 Eemaldage korv seadmest ja asetage frititav toit frittimiskorvi (Jn 10).

Ärge frititage korraga suuri koguseid. Ärge ületage selle voldiku lõpus olevas toidutabelis toodud koguseid (☞ tähistab soovitatavat kogust).

- 8 Asetage korv hoidiku külge, kuid ärge langetage seda veel õli või rasva sisse (Jn 11).
- 9 Sulgege kaas.
- 10 Vajutage korvi käepidemel olevat nuppu ning pöörake käepide vastu fritterit. Korv liigub automaatselt õlisse või rasva. (Jn 12)

Frittimise ajal temperatuuri indikaatorituli kord süttib ja kord kustub, andes märku sellest, et küttekeha lülitatakse õige temperatuuri hoidmiseks sisse ja välja.

Taimer

Märkus. Taimerit saab kasutada ka muul otstarbel, näiteks tavalise keedutaimerina.

Taimeri seadistamine

- 1 Valige taimeri nupu abil frittimisaeg minutites. (Jn 13)
 - ▷ Mõni sekund pärast frittimisaja seadistamist hakkab taimer aega loendama.
 - ▷ Samal kui taimer loendab aega, vilgub ekraanil järelejäänud frittimisaeg. Viimane minut kuvatakse ekraanile sekundites.
 - ▷ Pärast eelseadistatud aja möödumist kuulete helisignaali. 10 sekundi pärast helisignaali korratakse. Helisignaali lõpetamiseks vajutage taimeri nupule.

Märkus. Taimeri seadistuse tühistamiseks hoidke taimeri nuppu 2 sekundit all (ajal, mil taimer vilgub), kuni ilmub näit „00”.

Pärast frittimist

- 1 Vajutage frittimiskorvi käepidet (Jn 9).
 - 2 Avage kaas (Jn 2).
- Olge ettevaatlik – aur on kuum!
- 3 Eemaldage korv fritterist ja valage õli või rasv välja.
 - 4 Pange frititud toit rasvaimeva paberiga, nt köögipaberiga kaetud kaussi või kurnsõelale.
 - 5 Nautige frititud toitu!
- Kui soovite frittida veel ühte portsjonit, oodake, kuni temperatuuri märgutuli on kustunud.
- 6 Fritteri väljalülitamiseks vajutage sisse-välja lülitit.

- 7 Pange korb fritterisse.
- 8 Sulgege kaas.
- 9 Pärast seadme kasutamist võtke toitejuhe pistikupesast välja.

Märkus. Kui te ei kasuta fritterit regulaarselt, on soovitatav õli või vedel rasv eemaldada ja hoida seda hästisuletud nõus – eelistatavalt külmikus või jahedas kohas.

Nõuandeid frittimiseks

- Ülevaade valmistamisaegadest ja frittimistemperatuuridest on toodud kasutusjuhendi lõpus olevas tabelis.
- Raputage võimalikult palju jääd ja vett toiduainetelt ära ning kuivatage need korralikult kuivaks.
- Ärge frittige korraga suuri koguseid. Ärge ületage selle voldiku lõpus olevas toidutabelis toodud koguseid (☞ tähistab soovitatavat kogust).

Ebameeldiva lõhna kõrvaldamine

Teatud toiduained, eriti kala, võivad õlile või rasvale anda ebameeldivat lõhna. Selle lõhna neutraliseerimiseks toimige järgnevalt:

- 1 Kuumutage õli või rasv temperatuurini 160 °C.
 - 2 Pange kaks õhukest leivatükki või mõned petersellioksad õlisse.
 - 3 Oodake, kuni mulle enam ei ilmu, ning seejärel võtke leivatükid või petersellioksad fritterist kaabitsa abil välja.
- Nüüd on õli või rasv taas neutraalse maitsega.

Kodused friikartulid

Maitsvaid ja krõbedaid friikartuleid võite teha järgmisel viisil:

- 1 Kasutage varajasi kartuleid ja lõigake need kangideks. Loputage külma kraaniveega. Niiviisi ei kleepu kartulid frittimise ajal omavahel kokku.

Märkus. Kuivatage kartulikange hoolikalt.

- 2 Frittige friikartuleid kaks korda: esimene kord 4–6 minutit temperatuuril 160 °C, teist korda 5–8 minutit temperatuuril 175 °C.

Laske friikartulitel enne teistkordset frittimist jahtuda.

- 3 Pange omavalmistatud friikartulid nõusse ja raputage neid.

Puhastamine

Ärge kunagi kasutage seadme puhastamiseks küürimiskäsnu, abrasiivseid puhastusvahendeid ega sööbivaid vedelikke, nagu bensiin või atsetoon.

- 1 Avage kaas (Jn 2).
- 2 Enne fritteri puhastamist või liigutamist laske õlil või rasval vähemalt 4 tundi jahtuda..
- 3 Eemaldamiseks tõmmake kaant ülespoole (Jn 14).
- 4 Tõstke frittimiskorb seadmest välja (Jn 10).
- 5 Valage õli või rasv välja (Jn 15).

Eelpuhastusfunktsioon

Seade omab eelpuhastusfunktsiooni, mis võimaldab pesemise hõlbustamiseks sisemist nõud nõudepesuvedelikuga kuumas vees leotada.

veenduge enne selle funktsiooni kasutamist, et õli või rasv on sisemisest nõust eemaldatud.

- 1** Täitke sisemine nõu kuni kolmveerandini külma veega ja lisage sellele veidi pesemisvahendit. (Jn 16)
- 2** Sisestage pistik pistikupessa.
- 3** Lülitage seade sisse (Jn 7).
- 4** Seadistage temperatuuriregulaator eelpuhastusfunktsioonile. (Jn 8)
 - ▶ Vesi kuumutatakse temperatuurini, mis jääb veidi keemispunktist väiksemaks.
- 5** Lülitage seade 30 minuti pärast välja ja eemaldage pistik seinakontaktist.
- 6** Valage vesi sisemisest nõust välja ning puhastage seda alljärgneval viisil.

Seadme puhastamine

- 1** Puhastage nõu, kaant ja frittimiskorvi vähese nõudepesemisvedelikuga kuuma veega. Loputage neid puhta veega ning kuivatage hoolikalt.

Kaant ja frittimiskorvi võib pesta ka nõudepesumasinas.

- 2** Puhastage fritteri välispindu niiske lapi (pesuvahendilahusega) ja/või majapidamispeberiga. Hoidikut võite puhastada niiske lapiga.

Ärge kastke fritteri korpus taimerit vette.

enne fritteri täitmist õli või rasvaga, veenduge et kõik osad on kuivad.

Hoiustamine

- 1** Enne fritteri puhastamist või liigutamist laske õlil või rasval vähemalt 4 tundi jahtuda..
- 2** Pange kõik osad tagasi fritterisse ja sulgege kaas.
- 3** Suruge toitejuhe juhtme pesasse. (Jn 6)
- 4** Tõstke fritter käepidemetest üles ja viige hoiukohta (Jn 17).

Keskkonnakaitse

- Tööea lõpus ei tohi seadet tavalise olmeprügi hulka visata, vaid see tuleb ümbertöötlemiseks ametlikku kogumispunkti viia. Seda tehese aitate keskkonda säästa (Jn 18).
- Patareid sisaldavad aineid, mis võivad saastada keskkonda. Ärge heitke patareid tavaliste kodumajapidamisheitmete hulka, vaid utiliseerige need ametlikus patareide kogumiskohas. Eemaldage taimeri patareid alati enne taimeri ametlikus kogumiskohas kõrvaldamist ja üleandmist.

Patarei eemaldamine

- 1** Taimeri tagaseina eemaldamiseks kasutage väikest kruvikeerajat (Jn 19).
- 2** Eemaldage aku.

Garantii ja hooldus

Probleemide korral ning kui vajate hooldust või teavet, külastage Philipsi veebilehte www.philips.com või pöörduge oma riigi Philipsi klienditeeninduskeskusesse (telefoninumbri leiata ülemaailmselt garantiihelpt). Kui teie riigis ei ole klienditeeninduskeskust, pöörduge Philipsi kohaliku müügiesindaja poole.

Veaotsing

Käesolev peatükk esitab kokkuvõtte seadmel esinevatest enamlevinud probleemidest. Kui teil ei õnnestu probleemi alloleva teabe abil lahendada, võtke ühendust oma riigi klienditeeninduskeskusega.

Probleem	Võimalik põhjus	Lahendus
Frititud toit ei ole kuldpruun ja/või krõbe.	Valitud temperatuur on liiga madal ja/või toiduaineid ei ole piisavalt frititud.	Vaadake toidu pakendilt või seadme kasutusjuhendi tabelist, kas kasutatud temperatuur ja/või valmistamisaeg on õige. Seadistage temperatuuriregulaatori abil vastav temperatuur.
	Frittiskorvis on liiga palju toiduaineid.	Ärge frittige korraga rohkem toiduaineid kui on nimetatud käesoleva juhendi lõpus olevas toidutabelis.
Fritter ei tööta	Termokaitseüliliti on aktiveeritud.	Pöörduge Philipsi müügiesindaja poole või Philipsi volitatud hoolduskeskuse ja laske kaitse ära vahetada.
Fritterist tuleb ebameeldivat lõhna	Püsifilter on ummistunud.	Eemaldage kaas ja peske filter kuuma vee ja pesemisvahendiga puhtaks või peske filtrit nõudepesumasinas.
	Õli või rasv ei ole enam värsked.	Vahetage õli või rasv välja. Filtreerige regulaarselt õli või rasva, sest see võimaldab õli või rasva kauem kasutada.
	Õli või rasv, mida olete kasutanud, ei sobi frittimiseks.	Kasutage kvaliteetset õli või rasva. Ärge kasutage korraga erinevaid õlisid ega rasvu.
Auru tuleb mitte ainult filtrist, vaid ka muudest kohtadest.	Kaas ei ole korralikult suletud.	Sulgege kaas korralikult.
	Püsifilter on ummistunud.	Eemaldage kaas ja peske filter kuuma vee ja pesemisvahendiga puhtaks või peske filtrit nõudepesumasinas.
Frittimise käigus voolab õli või rasva üle seadme nurkade.	Fritteris on liiga palju õli või rasva.	Kontrollige, ega õli või rasva tase ei ületa ülemist tasememärki.
	Toit sisaldab liiga palju vett.	Kuivatage toit enne frittimist korralikult. Frittige toit vastavalt kasutusjuhendis toodud juhistelet.
	Frittiskorvis on liiga palju toiduaineid.	Ärge frittige korraga rohkem toiduaineid kui on nimetatud käesoleva juhendi lõpus olevas toidutabelis.
Õli või rasv vahutab frittimise käigus tugevasti.	Toit sisaldab liiga palju vett.	Kuivatage toitu hoolikalt enne frittimist.

Probleem	Võimalik põhjus	Lahendus
	Kasutatav õli või rasv ei sobi toidu frittimiseks.	Kasutage kvaliteetset õli või rasva. Ärge kasutage korraga erinevaid õlisid ega rasvu.
	Sisemine nõu pole korralikult puhastatud.	Puhastage sisemist nõu (vt punkti "Puhastamine").

Toidutabel (Jn 20)

Uvod

Čestitamo na kupnji i dobro došli u Philips! Kako biste u potpunosti iskoristili podršku koju nudi tvrtka Philips, registrirajte svoj proizvod na: www.philips.com/welcome.

Opći opis (Sl. 1)

- A Košara za prženje
- B Poklopac
- C Oznake "MIN" i "MAX"
- D Odjeljak za spremanje kabela
- E Kabel
- F Ugrađene ručke
- G Odvojeni digitalni timer
- H Prekidač za uključivanje/isključivanje
- I Kontrola temperature
- J Funkcija PreClean
- K Indikator temperature
- L Gumb za otvaranje poklopca
- M Unutarnja posuda
- N Dio za odlijevanje

Važno

Prije korištenja aparata pažljivo pročitajte ovaj korisnički priručnik i spremite ga za buduće potrebe.

Opasnost

- Kućište, koje sadrži električne komponente i grijaći element, nemojte nikada uranjati u vodu niti ispirati pod mlazom vode.

Upozorenje

- Prije ukopčavanja aparata provjerite odgovara li mrežni napon naveden na aparatu naponu lokalne mreže.
- Aparat nemojte koristiti ako su utikač, kabel za napajanje ili sam aparat oštećeni.
- Ako se kabel za napajanje ošteti, mora ga zamijeniti tvrtka Philips, ovlaštenu Philips servisni centar ili neka druga kvalificirana osoba kako bi se izbjegle potencijalno opasne situacije.
- Ovaj aparat nije namijenjen osobama (uključujući djecu) sa smanjenim fizičkim ili mentalnim sposobnostima niti osobama koje nemaju dovoljno iskustva i znanja, osim ako im je osoba odgovorna za njihovu sigurnost dala dopuštenje ili ih uputila u korištenje aparata.
- Malu djecu potrebno je nadzirati kako se ne bi igrala s aparatom.
- Kabel za napajanje držite izvan dohvata djece. Pazite da kabel za napajanje ne visi preko ruba stola ili radne površine na kojoj aparat stoji.
- Aparat priključujte samo u uzemljenu zidnu utičnicu.
- Tijekom prženja kroz filter izlazi vruća para. Pazite da vam ruke i lice budu na sigurnoj udaljenosti od pare. Budite oprezni i prilikom otvaranja poklopca.
- Ovaj aparat nije namijenjen korištenju u kombinaciji s vanjskim timerom ili zasebnim sustavom za daljinsko upravljanje.

Oprez

- Aparat uvijek dostavite u ovlaštenu servisni centar tvrtke Philips na ispitivanje i popravak. Ne pokušavajte ga sami popraviti jer će u tom slučaju jamstvo prestati vrijediti.
- Aparat stavite na vodoravnu, ravnu i stabilnu površinu.
- Ne dirajte prozorčić jer se zagrije tijekom prženja.
- Ovaj aparat namijenjen je isključivo uporabi u kućanstvu. Ako se koristi nepravilno ili se koristi u profesionalne ili poluprofesionalne svrhe te na način koji nije u skladu s uputama za uporabu, jamstvo prestaje vrijediti, a tvrtka Philips se odriče bilo kakve odgovornosti za prouzročenu štetu.

- Hranu pržite dok ne postane zlatnožuta, a ne tamna ili smeđa i uklonite ostatke prženja. Hranu koja sadrži puno škroba, poput krumpira ili proizvoda od žitarica, nemojte pržiti na temperaturama iznad 175°C (kako bi se smanjilo nastajanje akrilamida).
- Pazite da voda i/ili led ne dođu u kontakt s uljem ili mašću jer to izaziva jako prskanje ili ključanje ulja ili masti. Kako biste to postigli, uklonite višak leda iz smrznutih sastojaka i dobro ih osušite prije prženja. Nemojte previše puniti košaru. Nakon čišćenja dobro osušite sve dijelove prije stavljanja ulja ili masti u fritezu.
- U ovom aparatu nemojte pržiti azijske kolačiće od riže (ili sličnu hranu). To može izazvati jako prskanje ulja i mjehuriće u ulju ili masti.
- Pazite da friteza uvijek bude napunjena uljem ili mašću do razine između oznaka "MIN" i "MAX" s unutarnje strane posude kako bi se spriječilo prelijevanje ili pregrijavanje.
- Aparat nemojte uključivati prije no što ga napunite uljem ili mašću jer ga tako možete oštetiti.

Elektromagnetska polja (EMF)

Ovaj proizvod tvrtke Philips sukladan je svim standardima koji se tiču elektromagnetskih polja (EMF). Ako aparatom rukujete pravilno i u skladu s ovim uputama, prema dostupnim znanstvenim dokazima on će biti siguran za korištenje.

Priprema za korištenje

- 1** Prije prvog korištenja očistite fritezu (pogledajte poglavlje "Čišćenje").

Provjerite jesu li svi dijelovi suhi prije ulijevanja ulja ili masti.

- 2** Pritisnite gumb za otpuštanje kako biste otvorili poklopac (Sl. 2).

- 3** Pogledajte tablicu ulja/masti kako biste odredili koliko ulja ili masti trebate staviti u fritezu (Sl. 3).

- 4** Fritezu napunite uljem, tekućom mašću za prženje ili otopljenom čvrstom mašću do razine između oznaka "MIN" i "MAX" te zatvorite poklopac (Sl. 4).

Aparat nemojte uključivati prije no što ga napunite uljem ili mašću.

Ulje i mast

Nikada ne miješajte različite vrste ulja ili masti i nikad ne dodavajte svježe ulje ili mast u već korišteno ulje ili mast.

- Preporučujemo da koristite ulje ili tekuću mast za prženje. Po mogućnosti koristite biljno ulje ili mast bogatu nezasićenim masnoćama (primjerice linolenska kiselina) poput sojinog ulja, ulja arašida, kukuruznog ili suncokretovog ulja.
- Budući da ulje i mast brzo gube korisna svojstva, trebate ih redovito mijenjati (nakon 10-12 puta).
- Ulje ili mast obavezno zamijenite ako se počne pjeniti nakon zagrijavanja, dobije jak miris ili okus te ako potamni i/ili postane poput sirupa.

Čvrsta mast

Može se koristiti čvrsta mast za prženje, ali u tom slučaju su potrebne posebne mjere opreza kako bi se spriječilo prskanje masti, pregrijavanje ili oštećenje grijaćih elemenata.

- 1** Ako želite koristiti nove komade masti, polako ih otopite u običnoj tavi na laganoj vatri.
- 2** Rastopljenu mast pažljivo ulijte u fritezu.
- 3** Fritezu sa stvrdnutom mašću čuvajte na sobnoj temperaturi.
- 4** Ako se mast jako ohladi, može prskati prilikom topljenja. Vilicom izbušite nekoliko rupa u stvrdnutoj masti kako se to ne bi dogodilo (Sl. 5).

Pazite da vilicom ne oštetite unutarnju posudu.

Korištenje aparata

- 1 Izvadite cijeli mrežni kabel iz pretinca za kabel i uključite utikač u zidnu utičnicu (Sl. 6).
- 2 Uključite fritezu (Sl. 7).
 - ▶ Indikator temperature će se uključiti (Sl. 8).
- 3 Podesite potrebnu temperaturu (pogledajte pakiranje hrane koju ćete pržiti ili tablicu s hranom na kraju ovih uputa).
- 4 Pričekajte dok se indikator temperature ne ugasi (to traje 10-15 minuta).
- 5 Rasklopite ručicu košare za prženje (Sl. 9).
- 6 Otvorite poklopac (Sl. 2).
- 7 Izvadite košaru iz friteze i stavite u nju hranu koju želite pržiti (Sl. 10).

Nemojte pržiti velike količine odjednom. Nemojte premašivati količine navedene u tablici na kraju ovih uputa (☞ označava preporučene količine).

- 8 Košaru stavite na nosač, ali još je nemojte spuštati u ulje ili mast (Sl. 11).
- 9 Zatvorite poklopac.
- 10 Pritisnite gumb na ručici i sklopite ručicu natrag uz fritezu. Košara automatski uranja u ulje ili mast. (Sl. 12)

Tijekom prženja indikator temperature se povremeno uključuje i isključuje, što znači da se grijaći element uključuje i isključuje održavajući odgovarajuću temperaturu.

Timer

Napomena: Timer možete koristiti i za druge svrhe, npr. kao timer prilikom kuhanja.

Podešavanje timera

- 1 Pritisnite gumb timera za unos vremena prženja u minutama. (Sl. 13)
 - ▶ Nekoliko sekundi nakon postavljanja vremena prženja, timer će započeti odbrojanje.
 - ▶ Tijekom odbrojanja preostalo vrijeme prženja treperi na zaslonu. Zadnja minuta prikazuje se u sekundama.
 - ▶ Kada istekne postavljeno vrijeme, začut ćete zvučni signal. Nakon 10 sekundi zvučni signal se ponavlja. Za isključivanje signala pritisnite gumb timera.

Napomena: Postavku timera možete izbrisati pritiskom na gumb timera u trajanju od 2 sekunde (u trenutku kada timer zatreperi) dok se ne pojavi '00'.

Nakon prženja

- 1 Rasklopite ručicu košare (Sl. 9).
- 2 Otvorite poklopac (Sl. 2).

Pazite na vruću paru.

- 3 Izvadite košaru iz friteze i otriesite suvišno ulje ili mast.
- 4 Prženu hranu stavite u posudu ili cjedilo obloženo papirom za upijanje masti, npr. kuhinjskim papirom.
- 5 Uživajte u prženoj hrani.

Ako želite ispržiti još hrane, pričekajte dok se indikator temperature ne isključi.

6 Za isključivanje friteze pritisnite prekidač za uključivanje/isključivanje.

7 Stavite košaru u fritezu.

8 Zatvorite poklopac.

9 Nakon korištenja aparat isključite iz struje.

Napomena: Ako fritezu ne koristite redovito, savjetujemo vam da uklonite ulje ili tekuću mast i spremite ih u dobro zatvorene posude, po mogućnosti u hladnjak ili na hladno mjesto.

Savjeti za prženje

- Za pregled vremena pripremanja hrane i temperatura prženja pogledajte tablicu na kraju ovih uputa.
- Pažljivo otresite što je moguće više leda i vode s hrane i dobro je osušite.
- Nemojte pržiti velike količine odjednom. Nemojte premašivati količine navedene na kraju ovih uputa (☞ označava preporučene količine).

Uklanjanje neželjenih okusa

Od nekih vrsta hrane, posebno ribe, ulje ili mast mogu poprimiti neugodan okus. Kako biste ga neutralizirali:

1 Zagrijte ulje ili mast na temperaturu od 160°C.

2 Stavite dvije tanke kriške kruha ili nekoliko listića peršina u ulje.

3 Pričekajte dok se prestanu pojavljivati mjehurići i lopaticom izvadite kruh ili peršin iz friteze. Ulje ili mast sada ponovno imaju neutralan okus.

Domaći prženi krumpirići

Najukusnije i najhrskavije pržene krumpiriće možete pripremiti na sljedeći način:

1 Ogulite krumpir i narežite ga na štapiće. Štapiće isperite hladnom vodom.

To će spriječiti da se prilikom prženja lijepo jedan za drugi.

Napomena: Dobro osušite krumpir.

2 Pržite krumpir dva puta: prvi put 4-6 minuta na temperaturi od 160 °C, a drugi put 5-8 minuta na temperaturi od 175 °C.

Neka se krumpirići ohlade prije drugog prženja.

3 Krumpiriće stavite u posudu i protresite.

Čišćenje

Za čišćenje aparata nikada nemojte koristiti spužvice za ribanje, abrazivna sredstva za čišćenje ili agresivne tekućine poput benzina ili acetona.

1 Otvorite poklopac (Sl. 2).

2 Neka se ulje ili mast hlade najmanje 4 sata prije čišćenja ili premještanja friteze.

3 Povucite poklopac prema gore kako biste ga otvorili (Sl. 14).

4 Izvadite košaru iz friteze (Sl. 10).

5 Izlijte ulje ili mast (Sl. 15).

Funkcija PreClean

Ovaj uređaj ima funkciju PreClean koja omogućuje da unutarnju posudu natopite vrućom vodom i sredstvom za pranje kako biste je lakše očistili.

Prije korištenja ove funkcije obavezno uklonite ulje ili mast iz unutarnje posude.

- 1** Tri četvrtine unutarnje posude napunite hladnom vodom i dodajte sredstvo za pranje. (Sl. 16)
- 2** Utikač ukopčajte u zidnu utičnicu.
- 3** Uključite aparat (Sl. 7).
- 4** Postavite kontrolu temperature na funkciju PreClean. (Sl. 8)
 - ▶ Voda će se zagrijati gotovo do vrelišta.
- 5** Nakon 30 minuta isključite aparat i iskopčajte ga.
- 6** Izlijte vodu iz unutarnje posude i očistite je na način opisan u nastavku.

Čišćenje uređaja

- 1** Očistite posudu, poklopac i košaru za prženje vrućom vodom i sredstvom za pranje. Isperite ih svježom vodom i temeljito osušite.
Poklopac i košara za prženje mogu se prati i u stroju za pranje posuda.
- 2** Očistite kućište friteze vlažnom tkaninom (s malo sredstva za pranje) i/ili kuhinjskim papirom. Timer možete očistiti vlažnom tkaninom.

Fritezu ili timer nikada ne uranjajte u vodu.

Provjerite jesu li svi dijelovi suhi prije ulijevanja ulja ili masti.

Spremanje

- 1** Neka se ulje ili mast hlade najmanje 4 sata prije spremanja friteze.
- 2** Vratite sve dijelove u/na fritezu i zatvorite poklopac.
- 3** Gurnite kabel u pretinac za kabel. (Sl. 6)
- 4** Podignite fritezu držeći je za ručice i spremite je (Sl. 17).

Zaštita okoliša

- Aparat koji se više ne može koristiti nemojte odlagati s uobičajenim otpadom iz kućanstva, nego ga odnesite u predviđeno odlagalište na recikliranje. Time ćete pridonijeti očuvanju okoliša (Sl. 18).
- Baterije sadrže tvari koje mogu zagađiti okoliš. Nemojte bacati baterije s normalnim kućnim otpadom, nego ih odložite na službenom mjestu za odlaganje baterija. Obavezno izvadite bateriju timera prije no što ga bacite i timer predajte na službenom mjestu za prikupljanje otpada.

Vađenje baterije timera

- 1** Koristite mali odvijač kako biste odvojili prednji dio timera (Sl. 19).
- 2** Izvadite bateriju.

Jamstvo i servis

U slučaju da vam je potreban servis ili informacija ili imate neki problem, posjetite web-stranicu tvrtke Philips, www.philips.com, ili se obratite centru za potrošače tvrtke Philips u svojoj državi (broj telefona nalazi se u priloženom međunarodnom jamstvu). Ako u vašoj državi ne postoji centar za potrošače, obratite se lokalnom prodavaču proizvoda tvrtke Philips.

Rješavanje problema

U ovom poglavlju opisani su najčešći problemi s kojima biste se mogli susresti prilikom korištenja aparata. Ako ne možete riješiti problem uz informacije u nastavku, obratite se centru za korisničku podršku u svojoj državi.

Problem	Mogući uzrok	Rješenje
Pržena hrana nema zlatno-smeđu boju i/ili nije hrskava.	Odabrana temperatura je preniska i/ili hrana nije dovoljno dugo pržena.	Na pakiranju hrane ili u tablici na kraju ovih uputa provjerite jesu li odabrana temperatura i/ili vrijeme pripremanja ispravni. Podesite kontrolu temperature na odgovarajuće vrijednosti.
	U košari je previše hrane.	Nikada nemojte istovremeno pržiti količinu hrane veću od one navedene u tablici hrane koja se nalazi na kraju ovih uputa.
Friteza ne radi.	Termalni osigurač je aktiviran.	Obratite se prodavaču proizvoda tvrtke Philips ili servisnom centru koji je ovlastila tvrtka Philips i zamijenite osigurač.
Iz friteze se širi jak neugodan miris.	U trajnom filteru za odmašćivanje se nakupila masnoća.	Uklonite poklopac i operite poklopac i filter u vrućoj vodi i sredstvu za pranje ili u stroju za pranje posuđa.
	Ulje ili mast više nisu svježi.	Promijenite ulje ili mast. Redovito cijedite ulje ili mast kako bi duže ostalo svježe.
	Vrsta ulja ili masti nije pogodna za duboko prženje.	Koristite kvalitetno ulje ili tekuću mast za prženje. Nikada ne miješajte različite vrste ulja ili masti.
Para izlazi iz drugih otvora osim filtera.	Poklopac nije ispravno zatvoren.	Ispravno zatvorite poklopac.
	U trajnom filteru za odmašćivanje se nakupila masnoća.	Uklonite poklopac i operite poklopac i filter u vrućoj vodi i sredstvu za pranje ili u stroju za pranje posuđa.
Tijekom prženja ulje ili mast se prelijeva preko ruba friteze.	U fritezi je previše ulja ili masti.	Pazite da ulje ili mast u fritezi ne prelazi oznaku 'MAX'.
	Hrana sadrži previše vlage.	Hranu dobro osušite prije prženja i pržite je u skladu s ovim uputama.
Ulje ili mast se jako pjene tijekom prženja.	U košari je previše hrane.	Nikada nemojte istovremeno pržiti količinu hrane veću od one navedene u tablici hrane koja se nalazi na kraju ovih uputa.
	Hrana sadrži previše vlage.	Prije prženja dobro osušite hranu.
	Vrsta ulja ili masti koju koristite nije pogodna za duboko prženje.	Koristite kvalitetno ulje ili tekuću mast za prženje. Nikada ne miješajte različite vrste ulja ili masti.

Problem	Mogući uzrok	Rješenje
	Niste dobro očistili unutarnju posudu.	Očistite unutarnju posudu (vidi poglavlje 'Čišćenje').

Tablica hrane (Sl. 20)

Bevezetés

Gratulálunk a termék megvásárlásához és üdvözljük a Philips világában! Annak érdekében, hogy a Philips által kínált lehetőségeket a lehető legteljesebb mértékben igénybe vehesse, regisztrálja a terméket a www.philips.com/welcome oldalon.

Általános leírás (ábra 1)

- A Sütőkosár
- B Fedél
- C „MIN” és „MAX” jelzés
- D Kábeltároló rekesz
- E Kábel
- F Beépített fogantyúk
- G Különálló digitális időzítő
- H Be/kikapcsoló
- I Hőmérséklet-vezérlés
- J PreClean funkció
- K Hőmérsékletjelző fény
- L Fedélkioldó gomb
- M Belső sütőedény
- N Leeresztő funkció

Fontos!

A készülék első használata előtt figyelmesen olvassa el a használati útmutatót, és őrizze meg későbbi használatra.

Vigyázat!

- Soha ne merítse vízbe és ne öblítse csapvíz alatt az elektromos alkatrészeket és a fűtőelemet tartalmazó készülékházat.

Figyelmeztetés

- A készülék csatlakoztatása előtt ellenőrizze, hogy a rajta feltüntetett feszültség egyezik-e a helyi hálózatéval.
- Ne használja a készüléket, ha a hálózati csatlakozódugó, a kábel vagy a készülék sérült.
- Amennyiben a hálózati kábel meghibásodott, a kockázatok elkerülése érdekében a Philips AVENT forgalmazó szakszervizben ki kell cserélni.
- Nem javasoljuk a készülék használatát csökkent fizikai, érzékelési, szellemi képességgel rendelkezők, tapasztalatlan, nem kellő ismerettel rendelkező személyek (beleértve gyermekeket is) számára. A biztonságukért felelős személy felvilágosítása után, felügyelet mellett használják.
- Vigyázzon, hogy gyermekek ne játsszanak a készülékkel.
- A vezetékét tartsa gyermekektől távol. Ne hagyja a hálózati csatlakozókábelt lelogni az asztalról vagy a munkafelületről.
- Kizárólag földelt fali konnektorhoz csatlakoztassa a készüléket.
- A készülék szűrőjén forró gőz áramlik ki sütés közben. Kezét és arcát tartsa biztonságos távolságban a gőztől. A fedő nyitásakor különösen ügyelnie kell a forró gőzre.
- A készüléket ne használja külső időzítővel illetve külön távvezérlőrendszerrel.

Figyelmeztetés!

- A készüléket kizárólag Philips hivatalos szakszervizbe vigye vizsgálatra, illetve javításra. Amennyiben nem szakember próbálja megjavítani a készüléket, a garancia érvényét veszti.
- A készüléket vízszintes, egyenletes és stabil felületen helyezze el.
- Az ablak sütés közben felforrósodhat, ezért ne érintse meg.

- A készülék kizárólag háztartási használatra készült. Amennyiben a készüléket nem megfelelően, rendeltetésszerűen használják, illetve nem tartják be a használati útmutatóban leírtakat, a garancia hatályát veszti és a Philips semminemű felelősséget nem vállal az okozott károkért.
- Ételeit inkább aranybarnára, mint sötétbarnára süsse, és távolítsa el minden égett ételmaradványt az olajból. A keményítőt tartalmazó ételeket, különösen a burgonyát és a gabonakészítményeket 175 °C hőmérsékletfokozaton süsse, így csökkentheti az akrilsav termelődését.
- Ügyeljen rá, hogy ne kerüljön víz és/vagy jég az olajba vagy zsírba, mert ez erős fröcsögést okozhat. Sütés előtt a fagyasztott ételekről távolítsa el a felesleges jeget és a vizes alapanyagokat alaposan szárítsa meg. A kosarat ne töltsen túl. Tisztítás után minden alkatrészt alaposan szárítsa meg mielőtt olajat vagy zsírt töltene a sütőbe.
- Ne süssön a készülékben ázsiai rizses süteményeket (illetve ehhez hasonló típusú ételeket). Ezek ugyanis az olaj, illetve zsír erőteljes fröcsögését vagy habzását okozhatják.
- Annak érdekében, hogy elkerülje az olaj vagy zsír kifutását, illetve túlemeledését, gondoskodjon róla, hogy az olaj vagy zsír szintje a sütőben a belső sütőedény falán található „MIN” és „MAX” szintjelzések között álljon.
- Csak azután kapcsolja be a sütőt, miután beleöntötte a zsírt vagy az olajat, ellenkező esetben ugyanis a készülék károsodhat.

Elektromágneses mezők (EMF)

Ez a Philips készülék megfelel az elektromágneses mezőkre (EMF) vonatkozó szabványoknak. Amennyiben a használati útmutatóban foglaltaknak megfelelően üzemeltetik, a tudomány mai állása szerint a készülék biztonságos.

Előkészítés a használatra

1 Az első használat előtt tisztítsa meg a készüléket (lásd a „Tisztítás” c. fejezetet).

Mielőtt a sütőt megtölti olajjal vagy zsírral, ellenőrizze, hogy az összes alkatrész száraz-e.

2 A fedél kinyitásához nyomja meg a fedélkioldó gombot (ábra 2).

3 A sütőbe töltendő olaj vagy zsír mennyiségének meghatározásához tanulmányozza az olaj-/zsírtáblázatot (ábra 3).

4 Töltse fel a sütőt olajjal, folyékony sütőzsírral vagy olvasztott zsírral addig, hogy a szint a „MIN” és a „MAX” jelzés közé essen, majd zárja vissza a fedelet (ábra 4).

Csak azután kapcsolja be a készüléket, miután feltöltötte olajjal vagy zsíradékkal.

Olaj és zsiradék

Ne keverjen össze különböző olajokat és zsírokat. Ne töltsön a használt olajra vagy zsírra új olajat vagy zsírt.

- Javasoljuk, hogy sütőolajat vagy folyékony sütőzsírt használjon. Lehetőleg olyan növényi olajat vagy zsírt válasszon, amely telítetlen zsírsavakban (pl. linolsav) gazdag, mint például a szója-, a mogyoró-, a kukorica- vagy a napraforgóolaj.
- Az olajat vagy zsírt rendszeresen cserélje (kb. 10-12 sütés után), mert ennyi idő alatt elveszti jó tulajdonságait.
- Azonnal cseréljen olajat vagy zsírt, ha az felmelegítéskor habzik, ha kellemetlen szaga vagy íze van, vagy ha sötétté, esetleg ragacsossá válik.

Szilárd zsír

Szilárd sütőzsírt is használhat a sütéshez. Ekkor azonban legyen fokozottan óvatos, hogy elkerülje a zsír kifrocsögését és a fűtőelemek túlemeledését, illetve sérülését.

1 Amennyiben új zsírt kíván használni, olvassza fel lassú tűzön, hagyományos serpenyőben.

- 2** Óvatosan töltsse a felolvasztott zsírt az olajsütőbe.
- 3** Az olajsütőt a benne lévő megszilárdult zsírral szobahőmérsékleten tárolja.
- 4** Ha a zsír nagyon hideg, előfordulhat, hogy olvasztáskor fröcsögni kezd. Ennek elkerülése érdekében szűrjön néhány lyukat villával a megszilárdult zsírba (ábra 5).

Vigyázzon, hogy ne sértse meg a belső sütőedényt a villával.

A készülék használata

- 1** Vegye ki a hálózati kábelt teljesen a kábeltartóból és dugja be a fali konnektorba (ábra 6).
- 2** Kapcsolja be a sütőt (ábra 7).
 - ▶ A hőmérsékletjelző fény világítani kezd (ábra 8).
- 3** Állítsa a hőmérsékletet a kívánt értékre (ld. a sütni kívánt élelmiszer csomagolásán, vagy a használati utasítás végén található élelmiszertáblázatban).
- 4** Várja meg, míg a hőmérsékletjelző-fény világítani kezd (ez kb. 10-15 percet vesz igénybe).
- 5** Hajtsa ki a sütőkosár fogantyúját (ábra 9).
- 6** Nyissa fel a fedelet (ábra 2).
- 7** Emelje ki a kosarat a sütőből, és tegye a kosárba a sütni kívánt élelmiszert (ábra 10).

Ne süssön egyszerre nagy mennyiségű ételt. Ne lépje túl a használati utasítás végén található élelmiszer-táblázatban feltüntetett mennyiségeket (az ajánlott mennyiséget a ☹ szimbólum jelzi).

- 8** A kosarat helyezze a rögzítőelemre, de még ne merítse az olajba vagy a zsírba (ábra 11).
- 9** Csukja le a fedelet.
- 10** Nyomja meg a kosár fogantyúján található gombot, és hajtsa a fogantyút az olajsütő irányába.

A kosár lemerítése az olajba vagy zsírba automatikusan megtörténik. (ábra 12)
Sütés közben a hőmérsékletjelző-fény felváltva világít és kialszik, attól függően, hogy a fűtőelem üzemel-e a megfelelő hőmérséklet fenntartásának érdekében.

Időzítő

Megjegyzés: Az időzítőt egyéb célokra is használhatja, például hagyományos konyhai időzítőként.

Az időzítő beállítása

- 1** Nyomja meg az időzítő gombot, hogy beállítsa a sütési időt (percben). (ábra 13)
 - ▶ Néhány másodperccel a sütési idő beállítása után az időzítő elkezd a visszaszámlálást.
 - ▶ A hátralévő sütési idő villog a kijelzőn a visszaszámlálás alatt. Az utolsó percet másodpercenként mutatja.
 - ▶ A beállított idő elteltére hangjelzés figyelmeztet. 10 másodperc múlva a hangjelzés megismétlődik. A hangjelzést az időzítőgomb megnyomásával állíthatja le.

Megjegyzés: Az időzítőn beállított időtartamot úgy törölheti, hogy az időzítő gombot 2 másodpercig lenyomva tartja (ezalatt az időzítő villog), amíg a „00” jelzés meg nem jelenik.

Sütés után

- 1** Hajtsa ki a sütőkosár fogantyúját (ábra 9).
- 2** Nyissa fel a fedelet (ábra 2).


Legyen óvatos a forró gőzzel.

- 3** Emelje ki a kosarat a sütőből és rázza le a rárakódott olajat vagy zsírt.

- 4** Az elkészült ételt helyezze nedvszívó papírral, például konyhai papírtörülővel kibélelt táltra vagy csepegtetőrácsra.
- 5** Jó étvágyat!
Amennyiben további ételkészítést kíván sütni, várja meg, míg a hőmérsékletjelző-fény kialszik.
- 6** Kapcsolja ki a sütőt a be- és kikapcsológomb megnyomásával.
- 7** Helyezze be a kosarat az olajsütőbe.
- 8** Csukja le a fedelet.
- 9** Használat után húzza ki a dugót az aljzatból.

Megjegyzés: Amennyiben a sütőt ritkán használja, ajánlatos az olajat vagy folyékony zsírt kivenni és jól zárható edényben, lehetőleg hűtve tárolni.

Sütési tippek

- A sütési időket és hőfokokat áttekintheti a használati utasítás végén található ételkészítési táblázatban.
- Óvatosan távolítsa el a sütni kívánt ételkészítéstől a lehetséges legtöbb jeget és vizet, és itassa fel róla a nedvességet, amíg eléggé száraz nem lesz.
- Ne süssön egyszerre nagy mennyiségű ételt. Ne lépje túl a használati utasítás végén feltüntetett mennyiségeket (az ajánlott mennyiséget a  szimbólum jelzi).

A kellemetlen szagok semlegesítése

Bizonyos ételkészítési fajták (pl. halhús) sütésekor az olaj vagy zsír átveheti annak szagát és ízét. Ezt a következő módon lehet semlegesíteni:

- 1** Melegítse fel az olajat vagy zsírt 160 °C hőmérsékletre.
 - 2** Tegyen néhány vékony szelet kenyeret vagy néhány petrezselyemszálat az olajba.
 - 3** Várjon, míg több buborék nem jelentkezik és egy lapátkával halássza ki az olajsütőből a kenyeret vagy a petrezselymet.
- Az olajnak vagy a zsírnak újból semleges íze lesz.

Házi készítésű sült hasáburgonya

A legízletesebb és legropogósabb hasáburgonyát a következő módon készítheti el:

- 1** Használjon kemény burgonyát és vágja hasábokra, majd öblítse le hideg vízzel. Ez megakadályozza, hogy egymáshoz ragadjanak sütés közben.

Megjegyzés: Törölje minél szárazabbra a lemosott hasábokat.

- 2** Kétszer süsse meg a hasáburgonyát: először 4-6 percig 160 °C-on, majd másodszor 5-8 percig 175 °C-on.

A két sütés között hagyja lehűlni a hasáburgonyát.

- 3** Helyezze a hasáburgonyát egy tálba, és rázogassa meg egy kicsit.

Tisztítás

A készülék tisztításához ne használjon dörzsszivacsot és súrolószert (pl. mosószert, benzint vagy acetont).

- 1** Nyissa fel a fedelet (ábra 2).
- 2** A sütő tisztítása, illetve mozgatása előtt az olajat vagy zsírt legalább 4 órán keresztül hagyja hűlni.

3 A fedelet felfelé húzva vegye ki a sütőből (ábra 14).

4 Emelje ki a sütőkosarat a készülékből (ábra 10).

5 Öntse ki az olajat vagy zsírt (ábra 15).

PreClean funkció

A készülék PreClean (előtisztítás) funkciója révén a belső sütőedényt forró vízzel és mosogatószerrel beáztatva megkönnyítheti annak tisztítását.

A funkció használata előtt győződjön meg róla, hogy az olajat vagy zsírt eltávolította a belső sütőedényből.

1 Töltse meg a belső edényt hideg vízzel háromnegyed részig, és adjon hozzá kevés mosogatószerrel. (ábra 16)

2 Csatlakoztassa a hálózati dugót a fali aljzatba.

3 Kapcsolja be a készüléket (ábra 7).

4 Állítsa a hőmérséklet-szabályzót a „PreClean” állásba. (ábra 8)

▶ A készülék forráspontközeli hőmérsékletre melegíti a vizet.

5 30 perc elteltével kapcsolja ki a készüléket és húzza ki a fali aljzattól.

6 Öntse ki a vizet a belső sütőedényből és tisztítsa ki a belső edényt az alábbiak szerint.

A készülék tisztítása

1 Meleg, mosogatószeres vízben tisztítsa meg a belső sütőedényt, a fedelet és a sütőkosarat. Öblítse el a tartozékokat tiszta vízben, majd alaposan szárítsa meg azokat.

A fedelet és a sütőkosarat mosogatógépben is tisztíthatja.

2 A sütő burkolatát tisztítsa le nedves (mosogatószeres) ruhával és/vagy konyhai papírtörülővel. Az időzítőt nedves ruhával tisztíthatja.

Soha ne merítse sütő burkolatát vagy az időzítőt vízbe.

Mielőtt a sütőt megtölti olajjal vagy zsírral, ellenőrizze, hogy az összes alkatrész száraz-e.

Tárolás

1 Az olajat vagy zsírt legalább 4 órán keresztül hagyja hűlni, mielőtt eltenné a készüléket.

2 Helyezze vissza az összes tartozékot a sütőre, illetve annak belsejébe.

3 Helyezze a tápkábel a kábeltároló rekeszbe. (ábra 6)

4 A sütőt a fogantyújánál fogva tegye tárolási helyére (ábra 17).

Környezetvédelem

- A feleslegessé vált készülék szelektív hulladékként kezelendő. Kérjük, hivatalos újrahasznosító gyűjtőhelyen adja le, így hozzájárul a környezet védelméhez (ábra 18).
- Az elem környezetszennyező anyagokat tartalmaz. Leselejtezéskor ne helyezze azt a háztartási hulladékba, hanem valamelyik hivatalos gyűjtőhelyen adja le. Az időzítő leselejtezésekor vegye ki az elemet az időzítőből, és úgy adja le az alkatrészt valamelyik hivatalos gyűjtőhelyen.

Az elem eltávolítása az időzítőből.

1 Kis méretű, lapos csavarhúzó segítségével távolítsa el az időzítő elülső részét (ábra 19).

2 Vegye ki az akkumulátort.

Jótállás és szerviz

Ha javításra vagy információra van szüksége, vagy ha valamilyen probléma merült fel, látogasson el a Philips honlapjára (www.philips.com), vagy forduljon az adott ország Philips vevőszolgálatához (a telefonszámot megtalálja a világszerte érvényes garancialevélen). Ha országában nem működik ilyen vevőszolgálat, forduljon a Philips helyi szaküzletéhez.

Hibaelhárítás

Ez a fejezet összefoglalja a készülékkel kapcsolatban leggyakrabban felmerülő problémákat. Ha nem sikerül megoldania a problémát az alábbi információk alapján, forduljon a helyi Philips vevőszolgálathoz.

Probléma	Lehetséges ok	Megoldás
A megsütött étel nem aranybarna színű vagy nem ropogós.	A beállított hőmérsékleti érték túl alacsony, vagy az ételt túl rövid ideig sütötte.	Ellenőrizze, hogy a választott hőfok és sütési idő megfelel-e az étel csomagolását vagy a használati utasítás végén található táblázatban feltüntetett értékeknek. Állítsa a hőfokszabályzót a helyes hőfokra.
	Túl sok étel van a kosárban.	Ne süssön több ételt egyszerre, mint a használati utasítás végén található élelmiszertáblázatban feltüntetett mennyiség.
Nem működik a sütő.	A biztonsági hőkioldó aktiválódott.	Philips szakszervizben cseréltesse ki a biztosítékot.
A sütőből erős, kellemetlen szag érezhető.	A tartós zsírtalanító szűrő elhasználódott.	Vegye le és mossa el a fedőt, valamint a szűrőt forró vízben mosogatószerrel, vagy mosogatógépben.
	Az olaj vagy zsír már nem friss.	Cserélje ki az olajat vagy zsírt. Rendszeresen szűrje át az olajat vagy zsírt, hogy hosszabb ideig friss maradjon.
	A felhasznált olaj vagy zsír minősége nem megfelelő az élelmiszer kisütéséhez.	Jó minőségű sütőolajat vagy folyékony sütőzsírt használjon. Ne alkalmazzon egyszerre többféle olajat vagy zsírt.
A szűrőn kívül máshonnan is gőz tör elő.	A fedél nincs megfelelően lezárva.	Zárja le a fedelet megfelelően.
	A tartós zsírtalanító szűrő elhasználódott.	Vegye le és mossa el a fedőt, valamint a szűrőt forró vízben mosogatószerrel, vagy mosogatógépben.
Sütés közben az olaj, illetve zsír kicsordul a sütőből.	Túl sok olaj vagy zsír van az olajsütőben.	Ellenőrizze, hogy az olaj vagy zsír szintje a sütőben nem haladja-e meg a maximális szintet.
	Az élelmiszer túl sok nedvességet tartalmaz.	Száráítsa meg alaposan az ételt sütés előtt, majd a használati útmutató utasításainak megfelelően süsse meg.

Probléma	Lehetséges ok	Megoldás
	Túl sok élelmiszer van a sütőkosárban.	Ne süssön több ételt egyszerre, mint a használati utasítás végén található élelmiszertáblázatban feltüntetett mennyiség.
Sütéskor erősen habzik az olaj, illetve zsír.	Az élelmiszer túl sok nedvességet tartalmaz.	Szárítsa meg az ételt alaposan a sütés előtt.
	A felhasznált olaj- vagy zsírfajta nem megfelelő az élelmiszer kisütéséhez.	Jó minőségű sütőolajat vagy folyékony sütőzsírt használjon. Ne alkalmazzon egyszerre többféle olajat vagy zsírt.
	Nem tisztította ki kellőképpen a belső sütőedényt.	Tisztítsa meg a belső sütőedényt (lásd a „Tisztítás” c. részt).

Élelmiszer-táblázat (ábra 20)

Кіріспе

Өнімді сатып алуыңызбен құттықтаймыз және Philips компаниясына қош келдіңіз! Philips компаниясы ұсынатын қолдауды толығымен пайдалану үшін, өніміңізді www.philips.com/welcome веб-торабында тіркеңіз.

Жалпы сипаттама (Сурет 1)

- A Қуыратын себет
- B Қақпақ
- C 'MIN' және 'MAX' көрсеткіштері
- D Ток сымын сақтау бөлігі
- E Тоқ сымы
- F Бірыңғай тұтқа
- G Бөлек сандық таймер
- H Қосу/өшіру түймесі
- I Температураны бақылаушы
- J Алдын-ала тазалау функциясы
- K Температура шамы
- L Қақпақты шешетін тұтқа
- M Ішкі ыдыс
- N Құйатын құрал

Маңызды ақпарат

Құралды қолданбас бұрын, осы пайдаланушы нұсқаулығын мұқият оқып шығып, болашақта анықтамалық құрал ретінде пайдалану үшін сақтап қойыңыз.

Қауіпті!

- Электір бөлшектері бар негізді және қыздыру элементін ешқашан суға батырмаңыз немесе ағын су астында шаймаңыз.

Абайлаңыз!

- Құралды қоспас бұрын, онда көрсетілген кернеудің жергілікті желі кернеуіне сәйкес келетінін тексеріп алыңыз.
- Штепсельдік ұшы, ток сымы немесе өзі зақымданған болса, құралды қолданбаңыз.
- Ток сымы зақымданған болса, қауіпті жағдай туғызбас үшін, оны тек Philips қызмет көрсету орталығында, Philips ұсынған қызмет көрсету орталығында немесе тиісті білімі бар мамандар алмастыру керек.
- Қауіпсіздігіне жауапты адамның қадағалауынсыз немесе құрылғыны пайдалану нұсқауларынсыз, мүмкіндігі мен ойлау қабілеті шектеулі, сондай-ақ білімі мен тәжірибесі аз адамдардың (соның ішінде балалар) бұл құрылғыны қолдануына болмайды.
- Балалардың құралмен ойнамауын қадағалаған жөн.
- Ток сымын балалардың қолы жетпейтін жерде ұстаңыз. Құрал тұрған беттің немесе үстелдің шетінен ток сымы салбырап тұрмауы тиіс.
- Құрылғыны тек жерге қосылған розеткаға жалғаңыз.
- Қуырып жатқанда, ыстық бу фильтр арқылы шығады. Қолдарыңыз бен бетіңізді қауіпсіз қашықтықта ұстаңыз. Сонымен бірге, қақпақты ашқан кезіңізде де ыстық бұдан сақ болуыңыз керек.
- Бұл құрылғы сыртқы таймермен немесе бөлек қашықтан басқару құралымен басқарылмайды.

Ескерту

- Тексеру немесе жөндеу үшін, құралды тек Philips компаниясы мақұлдаған қызмет орталығына апарыңыз. Құралды өзіңіз жөндеген жағдайда, кепілдік өз күшін жояды.
- Құралды көлденең, тегіс және тұрақты бетке қойыңыз.

- Қадағалаушы терезені қолыңызбен ұстамаңыз, себебі ол қуырып жатқанда қатты қызып кетеді.
- Бұл құрал тек үйде қолдануға арналған. Құралды дұрыс қолданбаса немесе кәсіби яки жартылай кәсіби мақсатта қолданса, сондай-ақ, нұсқаулықта көрсетілгендей қолданбаса, кепілдік күшін жояды әрі Philips компаниясы ешбір зақымға жауапты болмайды.
- Тағамды қара немесе қоңыр түстен көрі алтын сары түске шейін қуырыңыз, және күйіп кеткен қоқымдарын алып тастап отырыңыз. Крахмалды тамақтарды 175°C температурасынан жоғары температурада қуыруға болмайды, әсіресе картоп пен дәнді дақылдарды (акриламид шығарылуын төмендету үшін).
- Су немесе/және мұзды майға араласып кетуден сақ етіңіз, себебі бұл майдың қатты шашырауына немесе көбіршектенуіне әкеліп соғады. Бұл үшін, қуырар алдында міндетті түрде мұздатылған ингредиенттердегі артық мұзды алып тастап, оларды жақсылап тұрып кептіріңіз. Себетті тым толтырып жібермеңіз. Тазалап болғаннан соң, қуырғышқа май құяр алдында барлық бөлшектерді жақсылап тұрып кептіріңіз.
- Құралда Азиаттық күріш шелпегін (немесе сол тәрізді тамақты) қуырмаңыз. Бұл майдың қатты шашырауын немесе қатты көбіршік шығаруын туғызуы мүмкін.
- Қатты қызып кетуден және тасып кетуден сақ болу үшін, міндетті түрде қуырғыштың ішкі ыдысындағы деңгей көрсеткішінің «МИН» мен «МАХ» деңгей аралығында май толтырылуы тиіс.
- Құралдың ішіне май құймастан бұрын оны қосуға болмайды, себебі ол құралға зақым келтіруі мүмкін.

Электромагниттік өрістер (ЭМӨ)

Бұл Philips құралы электромагниттік өрістерге (ЭМӨ) қатысты барлық стандарттарға сәйкес келеді. Осы пайдаланушы нұсқаулығы бойынша дұрыс қолданылса, бүгінгі таңдағы ғылыми дәлелдерге сәйкес, құрал пайдалану үшін қауіпсіз.

Пайдалануға дайындау

1 Құралды алғаш қолданар алдында оны тазалаңыз («Тазалау» тармағын қараңыз).

Қуырғышқа май құяр алдында барлық бөлшектердің дұрыстап кепкендігін тексеріңіз.

2 Қақпағын ашу үшін, қақпақты босату түймесін басыңыз (Сурет 2).

3 Май/сұйық май кестесін оқып, қуырғышқа қанша май құйатыныңызды көріп алыңыз (Сурет 3).

4 Құрғақ қуырғышқа май, сұйық май немесе ерітілген майды 'MIN' және 'MAX' индикаторлары аралығына шейін құйып, қақпағын жабыңыз (Сурет 4).

Құралды май құймастан бұрын қосуға болмайды.

Май және сұйық май

Әр түрлі майды арластырмаңыз және қолданған майға жаңа майды құймаңыз.

- Біз сізге қуыруға арналған майды немесе сұйық майды қолданыңыз деп кеңес береміз. Соя майы, жаңғақ майы немесе күнбағыс майы секілді көкөніс май немесе құнартылмаған майды қолданғаныңыз дұрысырақ болады (мысалы линолейлік қышқылдық).
- Май мен сұйық май өзінің пайдалы қасиеттерін жылдам жоғалтатындықтан, майды жиі ауыстырып тұрғаныңыз дұрыс (10-12 рет қолданғаннан кейін).
- Майыңыз қызған кезде көбіктене бастаса, немесе жағымсыз иіс немесе дәм шығарса, әлде түсі қарайып, сироп тәріздес бола бастаса, оны міндетті түрде ауыстырыңыз.

Қатты май

Қуыруға арналған қатты майды қолдануға болады, алайда ол май шашырамас үшін және қыздырушы элементтің қатты қызып кетпеуі үшін немесе оған зақым келтірмес үшін қосымша сақтық сақтау керек.

- 1 Майдың жаңа кесегін қолданбақшы болсаңыз, оны жәй қызып тұрған оттың үстінде әдетті табада асықпай ерітіңіз.
- 2 Ерітілген майды байқап қуырғышқа құйыңыз.
- 3 Қайта қатып қалған майы бар қуырғышты бөлме температурасында сақтаңыз.
- 4 Егер май қатты суып кетсе, оны еріткен кезде шашырауы мүмкін. Мұндай болмас үшін, қатып қалған майды шанышқымен тескілеп қойыңыз (Сурет 5).

Ішкі ыдысты шанышқымен зақымдап алмаңыз.

Құралды пайдалану

- 1 Тоқ сымын тоқ сымын сақтайтын жерден шығарып, шанышқыны қабырғадығы розеткаға қосыңыз (Сурет 6).
- 2 Қуырғышты қосыңыз (Сурет 7).
 - ▶ Температура шамы жанады (Сурет 8).
- 3 Температура бақылауын керек температураға қойыңыз (қуыратын тамақ қорабын немесе осы буклеттің соңындағы тағам кестесін қараңыз).
- 4 Температура жарығы өшкенше күтіңіз (бұл 10 минуттан 15 минутқа дейін алады).
- 5 Қуырғыш себеттің ұстағышын шығарыңыз (Сурет 9).
- 6 Қақпақты ашыңыз (Сурет 2).
- 7 Қуырғыштан себетті алып, қуырғалы жатқан тамақты себетке салыңыз (Сурет 10).

Бір қуырғанда, тым көп тағам салмаңыз. Осы кітапшаның соңындағы тағамдар кестесінде берілген мөлшерден асырмаңыз (☞ ұсынылған мөлшерді көрсетеді).

- 8 Себетті ұстатқышына қойыңыз, бірақ әлі майға батырмаңыз (Сурет 11).
- 9 Қақпақты жабыңыз.
- 10 Себет тұтқасындағы түймені басып, қуырғышқа қарай бұраңыз. Себет автоматты түрде майға батады. (Сурет 12)

Қуырып жатқан уақытта температура жарығы біресе жанып біресе өшіп отырады, ол қыздырушы элементтің керек температураны ұстау үшін біресе қосылып біресе өшіп отырғанын көрсетеді.

Таймер

Ескертпе. Сіз, сонымен қатар, таймерду басқа мақсатпен де қолдануыңызға болады, мәселен, күнделікті тамақ асу таймері ретінде

Таймерді орнату

- 1 Таймер түймесін қуыру уақытын минуттарға қою үшін басыңыз. (Сурет 13)
 - ▶ Сіз қуыру уақытын таңдағаннан кейін, таймер бірнеше секундтан соң уақытты кері қарай санай бастайды.
 - ▶ Таймер уақытты кері қарай санай бастаса, қанша уақыт қалғандығы көрсеткіште жанып өшіп тұрады. Соңғы минут секундтармен саналады.

- ▶ Алдын ала қойылған уақыт өткенде, құралдан естілетін дыбыс шығады. 10 секундтан кейін ол дыбыс қайталанады. Сіз дыбысты таймер түймесін басу арқылы өшіре аласыз.

Ескертпе. Есте сақтаңыз: таймер уақытын өзгертуге болады, ол үшін оның түймесін (таймер жыпылықтай бастағанда) 2 секундтай '00' пайда болғанша басып тұрыңыз.

Қуырып болғаннан соң

1 Себеттің ұстағышын шығарып алыңыз (Сурет 9).

2 Қақпақты ашыңыз (Сурет 2).

Ыстық бу шығатыны есіңізде болсын.

3 Себетті қуырғыштан шығарып, артық май немесе сұйық майдан арылу үшін сілкіп жіберіңіз.

4 Қуырылған тамақты майын сорғытып алатын қағаз, мәселен ас үй қағазы жайылған табаққа немесе торға салыңыз.

5 Тағамыңыз дәмді болсын.

Егер сіз тағы бір партиясын қуырғыңыз келсе, температура жарығы өшкенше күте тұрыңыз.

6 Қуырғышты өшіру үшін, қосу/өшіру түймесін басыңыз.

7 Себетті қуырғышқа салыңыз.

8 Қақпақты жабыңыз.

9 Құралды қолданып болғаннан соң, оны тоқтан ажыратыңыз.

Ескертпе. Егер сіз қуырғышты жиі қолданбайтын болсаңыз, біз сізге оның ішіндегі майды немесе сұйық майды алып тастап, жақсы жабылатын шкафта, ең жақсысы мұздатқышта, немесе салқын жерде сақтаңыз деп кеңес береміз.

Қуыруға арналған кеңестер

- Қуыратын температура мен уақытты қарау үшін осы буклеттің соңындағы тағам кестесін қараңыз.
- Қуырғалы жатқан тағамнан мұз бен суды әбден сілкіп тастап, кептіріп алыңыз.
- Бір қуырғанда, тым көп тағам салмаңыз. Осы кітапшаның соңындағы тағамдар кестесінде берілген мөлшерден аспаңыз (☞ ұсынылған мөлшерді көрсетеді).

Жағымсыз дәмдерден қалай құтылуға болады

Кейбір тамақ, әсіресе балық, майға жағымсыз дәм беруі мүмкін. Майдың дәмін қайтадан бейтарап ету үшін былай етіңіз:

1 Майды немесе сұйық майды 160°C температурасына дейін қыздырыңыз.

2 Нанның екі жіңішке тілімін немесе бірнеше ақжелкен бұтағын майға салыңыз.

3 Көбірек көбік шыққанша күте тұрыңыз, сөйтіп, нан тілімдерін немесе ақжелкен бұтағын майдан кепсермен сүзіп алыңыз.

Май немесе сұйық май енді қайтадан бейтарап дәмді болды.

Үйде жасалған Француз жолымен қуырылатын картоп

Сіз мына жолмен ең дәмді және қытырлақ Француз картопты жасай аласыз:

1 Қатты картопты алып, оларды таяқшаларға кесіңіз. Кесілген таяқшаларды суық сумен шайыңыз.

Бұл кесілген таяқшаларды бір-біріне жабысудан сақтайды.

Ескертпе. Кесілген таяқшаларды әбден кептіріңіз.

- 2** Француз картопты екі рет қуырған дұрыс: бірінші ретте 4-6 минут бойы, 160°C температурамен, ал екінші ретте 5-8 минут бойы, 175°C температурасымен құырыңыз. Француз жолымен қуырылатын картобыңызды екінші рет қуырар алдында суытып алыңыз.
- 3** Үйде жасалған Француз картобын ыдысқа салып, сілкілеңіз.

Тазалау

Құралды тазалағанда, қыратын шүберектерді, қырғыш тазалау құралдарын, жанармай немесе ацетон тәріздес сұйықтықтарды қолданбаңыз.

- 1** Қақпақты ашыңыз (Сурет 2).
- 2** Қуырғышты тазалау немесе оны қозғау алдында, майыңызды ең кем дегенде 4 сағатқа суытып қойыңыз.
- 3** Қақпақты алу үшін, оны жоғары қарай тартыңыз (Сурет 14).
- 4** Қуырғыш себетті қуырғыштан көтеру арқылы алыңыз (Сурет 10).
- 5** Майды немесе сұйық майды құйып алыңыз (Сурет 15).

Алдын-ала тазалау функциясы

Бұл құралда PreClean (алдын ала тазалау) функциясы орнатылған, ол үшін ішкі ыдысқа ыстық су және шамалы тазалау сұйықтығын құйып қойыңыз, сонда тазалау әлдеқандай жеңіл болады.

Осы функцияны қолданар алдында ішкі ыдысты майдан босатуды ұмытпаңыз.

- 1** Ішкі ыдысқа оның төрттен үш бөлігіне дейін суық су құйып, біраз тазалағыш сұйықтық құйыңыз. (Сурет 16)
- 2** Штепсельдік ұшты қабырғадағы розеткаға қосыңыз.
- 3** Құралды қосыңыз (Сурет 7).
- 4** Температура бақылауын Алдын-ала тазалау бағдарламасына қойыңыз. (Сурет 8)
 ▶ Су қайнату деңгейінен төменірек температураға шейін қыздырылған болар.
- 5** 30 минуттан соң, құралды өшіріп, ток көзінен ажыратыңыз.
- 6** Суды ішкі ыдыстан төгіп тастап, төменде көрсетілгендей етіп құралды тазалаңыз.

Құралды тазалау

- 1** Ыдысты, қақпақты және қуыратын себетті ыстық сумен және тазалағыш сұйықтықпен жуып, тың сумен шайып, әбден кептіріңіз.
 Қақпақ пен қуыратын себетті, сонымен қатар, ыдыс жуғышта да жууға болады.
- 2** Қуырғыштың негізін дымқыл шүберекпен немесе асхана қағазымен тазалаңыз (кішкене тазалағыш сұйықтықпен).
 Таймерді дымқыл шүберекпен тазаласаңыз болады.

Қуырғыш негізін немесе таймерді суға батыруға болмайды.

Қуырғышқа май құяр алдында барлық бөлшектердің дұрыстап кепкендігін тексеріңіз.

Сақтау

- 1** Қуырғышты сақтап қояр алдында майды кем дегенде 4 сағат суытып алыңыз.
- 2** Барлық бөлшектерді қуырғыштың ішіне салып, қақпағын жабыңыз.

3 Тоқ сымын, тоқ сымды сақтайтын орнында сақтаңыз. (Сурет 6)

4 Қуырғышты ұстағышының көмегімен көтеріп, сақтайтын жерге қойыңыз (Сурет 17).

Қоршаған орта

- Құралды өз қызметін көрсетіп тозғаннан кейін, күнделікті үй қоқысымен бірге тастауға болмайды. Оның орнына бұл құралды арнайы жинап алатын жерге қайта өңдеу мақсатына өткізіңіз. Сонда сіз қоршаған айналаны сақтауға себіңізді тигізесіз (Сурет 18).
- Батареяның құрамында қоршаған ортаны ластайтын заттар бар. Бос батареяны күнделікті үй қоқысымен бірге тастауға болмайды. Арнайы батареялар жинайтын жерге өткізіңіз. Таймерді тастау үшін, міндетті түрде батареясын шығарып, ресми қалдық жинау орнына тапсырыңыз.

Таймердің батареясын шығару

1 Кішкене жалпақ дүзді бұрауышты қолданып, таймердің алдын босатып алыңыз (Сурет 19).

2 Батареяны алыңыз.

Кепілдік және қызмет көрсету

Қызмет көрсету немесе ақпарат қажет болса, не болмаса бір мәселе туындаса, Philips компаниясының www.philips.com веб-торабына кіріңіз немесе еліңіздегі Philips тұтынушыларды қолдау орталығына хабарласыңыз (телефон нөмірін дүниежүзілік кепілдік кітапшасынан табуға болады). Еліңізде тұтынушыларды қолдау орталығы болмаса, жергілікті Philips делдалымен хабарласыңыз.

Ақаулықтарды жою

Бұл тарауда құрылғыда пайда болуы мүмкін ең көп кездесетін ақаулықтар жинақталған. Егер төменде берілген ақпараттың көмегімен ақаулықты жоя алмасаңыз, еліңіздегі Тұтынушыларды қолдау орталығына хабарласыңыз.

Ақаулық	Ықтимал себебі	Шешімі
Қуырылған тамақ алтын сары түсті емес және/немесе қытырлақ емес.	Таңдаған температура өте төмен немесе тамақ керек уақыт аралығында қуырылмаған.	Қуыратын тамақ қорабын немесе осы буклеттің соңындағы тағам кестесін қарап, сіз таңдаған температура немесе қуырылатын уақыт дұрыс екендігін тексеріңіз. Температура бақылауын керек температураға қойыңыз.
	Қуырғыш себеттің ішінде тағам мөлшері өте көп.	Осы буклеттің соңында көрсетілген тағам кестесінде берілген мөлшерден көп тамақ мөлшерін қуыруға болмайды.
Құрал жұмыс жасамайды.	Термикалық қауіпсіздік тежегіші белсендірілді.	Өзіңіздің Philips дилеріңізге немесе Philips әкімшілік берген қызмет орталығына барып, тежегішті ауыстыртыңыз.
Қуырғыштан өте қатты жағымсыз иіс шығып тұр.	Түпкілікті анти-май фильтрі майланып қалған.	Қақпақты алып, қақпақ пен фильтрді тазалау сұйықтығымен ыстық су астында немесе ыдыс жуғышта тазалаңыз.
	Май немесе сұйық май тың емес.	Майды немесе сұйық майды ауыстырыңыз. Майды немесе сұйық майды тың сақтау үшін оны әрдайым сүзіп отырыңыз.

Ақаулық	Ықтимал себебі	Шешімі
	Қолданып жатқан май немесе сұйық май түрі, қуырғышта қуырылатын тағамға сәйкес келмейді.	Қуыруға арналған жоғарғы сапалы майды немесе сұйық майды қолданыңыз. Әр түрлі майды арластырмаңыз.
Бу фильтрден басқа жерлерден шығып жатыр.	Қақпақты дұрыстап жаппаған боларсыз.	Қақпақты дұрыстап жабыңыз.
	Түпкілікті анти-май фильтрі майланып қалған.	Қақпақты алып, қақпақ пен фильтрді тазалау сұйықтығымен ыстық су астында немесе ыдыс жуғышта тазалаңыз.
Қуырып жатқанда май немесе сұйық май қуырғыштың жиегінен тасып кетіп жатыр.	Қуырғыш себеттің ішінде май немесе сұйық май мөлшері өте көп.	Қуырғыштағы май немесе сұйық май мөлшері 'MAX' көрсеткішінен артық болмай тұрғандығына көзіңізді жеткізіңіз.
	Тағам өте дымқыл.	Тамақты қуырар алдында, оны әбден кептіріңіз, және оны нұсқауда көрсетілген әдіс бойынша қуырыңыз.
	Қуырғыш себеттің ішінде тағам мөлшері өте көп.	Осы буклеттің соңында көрсетілген тағам кестесінде берілген мөлшерден көп тамақ мөлшерін қуыруға болмайды.
Май немесе сұйық май қуырып жатқанда қатты көбіктенеді.	Тағам өте дымқыл.	Тамақты қуырар алдында жақсылап кептіріңіз.
	Мүмкін сіздің қолданып жатқан майыңыздың түрі қайнатып қуыруға сәйкес келмейтін болар.	Қуыруға арналған жоғарғы сапалы майды немесе сұйық майды қолданыңыз. Әр түрлі майды арластырмаңыз.
	Сіз ішкі ыдысты жақсылап тазаламаған боларсыз.	Ішкі ыдысты тазалаңыз («тазалау» тармағын қараңыз).

Тағам кестесі (Сурет 20)

Įvadas

Sveikiname įsigijus pirkinį ir sveiki atvykę į „Philips“! Norėdami naudotis visu „Philips“ palaikymu, savo gaminių registruokite adresu www.philips.com/welcome.

Bendrasis aprašymas (Pav. 1)

- A Skrudinimo krepšelis
- B Dangtis
- C „MIN“ ir „MAX“ indikatoriai
- D Laido saugojimo skyrelis
- E Laidas
- F Integruotos rankenos
- G Atskiras skaitmeninis laikmatis
- H Įjungimo / išjungimo jungiklis
- I Temperatūros reguliatorius
- J „PreClean“ funkcija
- K Temperatūros lemputė
- L Dangčio atlaisvinimo mygtukas
- M Vidinis dubuo
- N Išpylimo įtaisas

Svarbu

Prieš pradėdami naudoti prietaisą atidžiai perskaitykite šį vartotojo vadovą ir saugokite jį, nes jo gali prireikti ateityje.

Pavojus

- Niekada nemerkite korpuso, kuriame yra elektrinės dalys ir kaitinimo elementai, į vandenį ir neskaldykite jo po tekančiu vandeniu.

Įspėjimas

- Prieš įjungdami prietaisą, patikrinkite, ar ant prietaiso nurodyta įtampa atitinka vietinio elektros tinklo įtampą.
- Nenaudokite prietaiso, jei pažeistas kištukas, maitinimo laidas arba pats prietaisas.
- Jei pažeistas maitinimo laidas, vengiant rizikos, jį turi pakeisti „Philips“ darbuotojai, „Philips“ įgaliotasis techninės priežiūros centras arba kiti panašios kvalifikacijos specialistai.
- Šis prietaisas neskirtas naudoti asmenims (įskaitant vaikus) su ribotomis fizinėmis, sensorinėmis ar psichinėmis galimybėmis arba asmenims, neturintiems pakankamai patirties ir žinių, nebent juos prižiūri arba naudotis prietaisu apmoko už jų saugą atsakingas asmuo.
- Prižiūrėkite vaikus, kad jie nežaistų su prietaisu.
- Maitinimo laidą laikykite vaikams nepasiekiamoje vietoje. Nepalikite jo kabėti nusvirusio nuo stalo ar pagrindo, ant kurio prietaisas padėtas, krašto.
- Prietaisąjunkite tik į įžemintą sieninį el. lizdą.
- Skrudinant per filtrą išleidžiami karšti garai. Nekiškite prie garų rankų ir veido. Karštų garų turite saugotis ir nukeldami dangtį.
- Šis prietaisas negali būti naudojamas su išoriniu laikmačiu ar atskira nuotolinio valdymo sistema.

Įspėjimas

- Prietaisą tikrinkite ir taisykite tik „Philips“ įgaliotuose aptarnavimo centruose. Nebandykite taisyti namuose, priešingu atveju garantija taps negaliojanti.
- Pastatykite prietaisą ant horizontalaus, lygaus ir stabilaus paviršiaus.
- Nelieskite stebėjimo langelio, nes skrudinant jis įkaista.
- Šis prietaisas skirtas naudoti tik buityje. Jei prietaisas naudojamas netinkamai arba profesionaliems ar pusiau profesionaliems tikslams arba nėra naudojamas pagal vartotojo vadovo instrukciją, garantija nebegalios ir „Philips“ neprisiims atsakomybės už padarytą žalą.

- Maistą skrudinkite taip, kad jo spalva taptų geltonai auksine, o ne tamsia ar ruda ir pašalinkite sudegusius maisto likučius. Maisto, kuriame yra daug krakmolo, ypač bulvių ir grūdinių produktų, neskrudinkite aukštesnėje nei 175 °C temperatūroje (tam, kad sumažėtų akrilamido išskyrimas).
- Saugokite, kad vanduo ir / arba ledas nepatektų į aliejų ar riebalus, nes tai sukelia stiprų jų taškymąsi bei burbuliavimą. Kad to išvengtumėte, pašalinkite ledą iš šaldytų ingredientų ir kruopščiai juos nusausinkite prieš skrudinimą. Neperpildykite krepšelio. Po plovimo kruopščiai nusausinkite visas dalis prieš įpildami į skrudintuvę aliejaus ar riebalų.
- Šiame prietaise neskrudinkite azijietišku ryžių paplotėlių (ar panašaus maisto), nes aliejus ar riebalai gali smarkiai taškytis ar burbuliuoti.
- Įsitinkinkite, kad skrudintuvėje esančio aliejaus ar taukų lygis yra tarp „MIN“ ir „MAX“ vidinio dubens žymų, nes taukai gali pradėti taškytis arba perkaisti.
- Prietaiso nejunkite, kol į jį nepripylėte aliejaus ar taukų, nes tai prietaisą gali pažeisti.

Elektromagnetiniai laukai (EML)

Šis „Philips“ prietaisas atitinka visus elektromagnetinių laukų (EML) standartus. Tinkamai eksploatuojant prietaisą pagal šiame vartotojo vadove pateiktus nurodymus, remiantis dabartine moksline informacija, jį yra saugu naudoti.

Paruošimas naudojimui

1 Prieš naudodami prietaisą pirmą kartą, išvalykite jį (žr. skyrių „Valymas“).

Prieš įpildami į skrudintuvę aliejaus ar riebalų patikrinkite, ar visos skrudintuvės dalys yra visiškai sausas.

2 Paspauskite dangčio atlaisvinimo mygtuką, kad atidarytumėte dangtį (Pav. 2).

3 Norėdami nustatyti, kiek į skrudintuvę turite įpilti aliejaus ar taukų, remkitės aliejaus / taukų lentele (Pav. 3).

4 Į skrudintuvę pilkite aliejaus, skystų kepimo riebalų arba ištirpdytų riebalų, kad jų lygis būtų tarp „MIN“ ir „MAX“ žymos, ir uždarykite dangtį (Pav. 4).

Prietaiso nejunkite tol, kol į jį neįpylėte aliejaus arba riebalų.

Aliejus ir riebalai

niekada netaisykite skirtingo tipo aliejaus ar taukų ir niekada į seną aliejų ar taukus nepilkite naujų.

- Patariame naudoti kepimo aliejų arba skystus kepimo riebalus. Labiausiai tinka augalinis aliejus arba nesotieji riebalai (pvz., linoleno rūgštis), pavyzdžiui, sojų aliejus, žemės riešutų aliejus, kukurūzų aliejus arba saulėgrąžų aliejus.
- Kadangi aliejus ir riebalai labai greitai praranda savo teigiamas savybes, aliejų ir riebalus turite nuolat keisti (po 10–12 kartų).
- Visada pakeiskite aliejų, kuris kaisdamas ima putoti, įgauna stiprų kvapą ar skonį arba patamsėja ir / arba sutirštėja.

Kieti riebalai

Galite naudoti ir kietus kepimo taukus. Šiuo atveju reikalingos papildomos atsargumo priemonės, nes taukai taškosi, o kaitinimo elementas gali perkaisti arba sugesti.

1 Jei norite naudoti naujus kietų riebalų gabalėlius, paprastoje keptuvėje lėtai ištirpinkite juos ant mažos ugnies.

2 Atsargiai į skrudintuvę supilkite ištirpintus riebalus.

3 Skrudintuvę su sustingusiais riebalais laikykite tik kambario temperatūros aplinkoje.

- 4** Jei riebalai labai sušals, tirpdami jie gali taškytis. Kad to išvengtumėte, šakute riebaluose pradurkite kelias skylutes (Pav. 5).

badydami šakute, būkite atsargūs, kad nepažeistumėte vidinio dubens paviršiaus.

Prietaiso naudojimas

- 1** Laidą visiškai ištraukite iš saugojimo skyrelio ir įkiškite kištuką į sieninį el. lizdą (Pav. 6).
- 2** Įjunkite skrudintuvę (Pav. 7).
 - ▶ Įsižiebė temperatūros signalinė lemputė (Pav. 8).
- 3** Temperatūros regulatoriumi nustatykite reikiamą temperatūrą (žiūrėkite ant kepamo maisto pakuotės arba šio informacinio bukletu gale pateiktoje maisto lentelėje).
- 4** Palaukite, kol užges temperatūros lemputė (tai gali užtrukti apie 10 - 15 minučių).
- 5** Atlenkite skrudintuvės krepšelio rankeną (Pav. 9).
- 6** Atidarykite dangtį (Pav. 2).
- 7** Iš skrudintuvės išimkite krepšelį ir į jį sudėkite norimą skrudinti maistą (Pav. 10).

Neskrudinkite labai didelio kiekio vienu metu. Neviršykite kiekio, nurodyto maisto lentelėje, esančioje šios knygelės gale (☞ nurodo rekomenduojamą kiekį).

- 8** Uždėkite krepšelį ant atramos, bet nepanardinkite jo į aliejų ar riebalus (Pav. 11).
- 9** Uždenkite dangtį.

10 Paspauskite ant krepšelio rankenos esantį mygtuką ir užlenkite rankeną ant skrudintuvės. Krepšelis automatiškai nuleidžiamas į aliejų ar riebalus. (Pav. 12)
Kepimo metu temperatūros lemputė kartkartėmis užsidega ir užgęsta, tokiu būdu parodoma, kad kaitinimo elementas įsijungia ir išsijungia palaikydamas tinkamą temperatūrą.

Laikmatis

Pastaba: laikmatį galite naudoti ir kitais tikslais, pvz., kaip įprastą maisto gaminimo laikmatį.

Laikmačio nustatymas

- 1** Paspausdami laikmačio mygtuką nustatykite skrudinimo laiką. (Pav. 13)
 - ▶ Praėjus kelioms sekundėms po to, kai nustatėte skrudinimo laiką, laikmatis pradeda skaičiuoti laiką.
 - ▶ Kol laikmatis skaičiuoja nustatytą laiką, likęs skrudinimo laikas blyksi ekrane. Paskutinė minutė rodoma sekundėmis.
 - ▶ Praėjus nustatytam kepimo laikui išgirsite garsinį signalą. Po 10 sekundžių garsinis signalas pasikartos. Norėdami nutraukti garsinį signalą paspauskite laikmačio mygtuką.

Pastaba: norėdami ištrinti laikmačio nustatymą, paspauskite laikmačio mygtuką ir apie 2 sekundes palaikykite nuspaudę (laikmatis sumirksi) tol, kol pasirodo „00“.

Po skrudinimo

- 1** Atlenkite krepšelio rankeną (Pav. 9).
- 2** Atidarykite dangtį (Pav. 2).

Saugokitės karštų garų.

- 3** Iš skrudintuvės išimkite krepšelį ir išpilkite aliejų ar taukus.
- 4** Paskrudintą maistą sudėkite į indą arba koštuvą, išklotą riebalus sugeriančiu popieriumi, pvz., virtuviniu popieriumi.

5 Mėgaukitės šioje skrudintuvėje keptu maistu.

Jei norite skrudinti dar vieną maisto porciją, palaukite, kol užges temperatūros lemputė.

6 Norėdami išjungti skrudintuvę, paspauskite įjungimo / išjungimo mygtuką.**7 Įleiskite krepšelį į skrudintuvę.****8 Uždenkite dangtį.****9 Po naudojimo prietaisą išjunkite iš maitinimo tinklo.**

Pastaba: Jei skrudintuvės nenaudojate nuolat, aliejų ir riebalus patariama išpilti ir laikyti sandariai uždaromose talpose, patartina šaldytuve arba vėliose vietoje.

Skrudinimo patarimai

- Gaminimo laikas ir skrudinimo temperatūra nurodyti lentelėje, pateiktoje šio informacinio bukletu pabaigoje.
- Atsargiai nuo maisto, kurį norite skrudinti, nukratykite, kiek įmanoma daugiau ledo ir vandens lašų, kad jis būtų pakankamai sausas.
- Neskrudinkite labai didelio kiekio vienu metu. Neviršykite kiekių, nurodytų šios knygelės gale (☞ nurodo rekomenduojamą kiekį).

Nemalonių kvapų šalinimas

Kai kurios maisto rūšys, ypač žuvis, gali aliejui ar riebalams suteikti nemalonių kvapą. Aliejaus ar riebalų skonio neutralizavimas:

1 Aliejų ar taukus įkaitinkite iki 160 °C temperatūros.**2 Įdėkite porą plonų duonos riekelių ar kelias petražolių šakeles.****3 Palaukite, kol nustos burbuliuoti, tada mentele išimkite duoną ar petražoles.**

Taip aliejus ar riebalai atgauna įprastą skonį.

Naminės skrudintos bulvytės

Škaniausias ir traškiausias skrudintas bulvytes pasigaminsite taip:

1 Kietas bulves supjaustykite lazdelėmis. Nuplaukite jas šaltu vandeniu.

Tai neleis joms sulipti skrudinant.

Pastaba: lazdeles gerai nusausinkite.

2 Bulvių lazdeles kepkite du kartus: pirmą kartą 4–6 minutes esant 160 °C temperatūrai, antrą kartą – 5–8 minutes esant 175 °C temperatūrai.

Prieš skrudinant antrą kartą, leiskite bulvytėms atvėsti.

3 Naminės bulvytes sudėkite į dubenį ir pakratykite.

Valymas

niekada nenaudokite šiurkščių kempinių, šlifuojamųjų valiklių arba ėsdinančių skysčių, pvz., benzino arba acetono prietaisui valyti.

1 Atidarykite dangtį (Pav. 2).**2 prieš valydami arba išimdami skrudintuvę, leiskite aliejui ar taukams apie 4 valandas atvėsti.****3 Norėdami nuimti dangtį, traukite jį aukštyn (Pav. 14).****4 Iš aparato išimkite skrudinimo krepšelį (Pav. 10).****5 Išpilkite aliejų ar riebalus (Pav. 15).**

„PreClean“ funkcija

Šis prietaisas turi „PreClean“ funkciją, kuri leidžia vidinį indą išmirkyti karštu vandeniu įpylus indų plovimo skysčio, kad būtų lengviau išvalyti.

Prieš pradėdami naudotis šia funkcija įsitinkinkite, kad iš vidinio indo pašalinote visą aliejų ar riebalus .

- 1 Tris ketvirčius vidinio indo talpos pripildykite šaltu vandeniu ir įpilkite truputį skysto indų ploviklio. (Pav. 16)
- 2 Įkiškite į maitinimo lizdą kištuką.
- 3 Įjunkite prietaisą (Pav. 7).
- 4 Temperatūros reguliatorių nustatykite į „PreClean“ funkcijos padėtį. (Pav. 8)
D Vanduo šildomas iki temperatūros, nesiekiančios virimo taško.
- 5 Po 30 minučių, prietaisą išjunkite ir atjunkite nuo maitinimo tinklo.
- 6 Iš vidinio indo išpilkite vandenį ir valykite jį pagal toliau pateiktus nurodymus.

Prietaiso valymas

1 Indą, dangtį ir kepimo krepšelį valykite karštu vandeniu ir indų plovimo skysčiu. Perplaukite juos švariu vandeniu ir kruopščiai nusausinkite.

Dangtį ir kepimo krepšelį galima plauti ir indų plovimo mašinoje.

2 Korpusą valykite drėgna medžiagos skiaute (su trupučiu indų plovimo valiklio) ir/ar popieriniu rankšluosčiu.

Stovą galite valyti drėgna medžiagos skiaute.

Niekada skrudintuvės korpuso arba laikmačio nemerkite į vandenį.

Prieš pildami į skrudintuvę aliejaus ar riebalų patikrinkite, ar visos skrudintuvės dalys yra visiškai sausos.

Laikymas

- 1 Prieš padėdami skrudintuvę, leiskite aliejui ar taukams apie 4 valandas atvėsti.
- 2 Visas dalis sudėkite į skrudintuvę ir uždenkite dangčiu.
- 3 Laidą sustumkite į laido laikymo vietą. (Pav. 6)
- 4 Už rankenų pakelkite skrudintuvę ir pastatykite ją į tam skirtą saugojimo vietą (Pav. 17).

Aplinka

- Nemeskite susidėvėjusio prietaiso su įprastomis buitinėmis atliekomis, o nuneškite jį į oficialų surinkimo punktą perdirbti. Taip prisidėsite prie aplinkosaugos (Pav. 18).
- Baterijose yra medžiagų, galinčių užteršti aplinką. Neišmeskite baterijų į įprastą šiukšlių konteinerį, bet pristatykite jas į specialų surinkimo punktą. Prieš išmesdami laikmatį ir prieš atiduodami jį į oficialų surinkimo punktą, visada išimkite bateriją.

Laikmačio baterijos išėmimas

- 1 Laikmačio nugarėlę nuimkite su mažu plokščiu atsuktuvu (Pav. 19).
- 2 Išimkite bateriją.

Garantija ir techninis aptarnavimas

Prereikęs techninio aptarnavimo paslaugų, informacijos arba jei iškilo problema, apsilankykite „Philips“ tinklalapyje adresu www.philips.com arba susisiekite su jūsų šalyje esančiu „Philips“ pagalbos vartotojams centru (jo telefono numerį rasite pasauliniame garantiniame lapelyje). Jei jūsų šalyje nėra pagalbos vartotojams centro, kreipkitės į vietinį „Philips“ platintoją.

Greitas trikčių šalinimas

Šiame skyriuje apibendrinamos problemos, dažniausiai pasitaikančios naudojantis šiuo prietaisu. Jei žemiau pateikiama informacija nepadės išspręsti problemos, kreipkitės į jūsų šalyje esantį klientų aptarnavimo centrą.

Problema	Galima priežastis	Sprendimas
Skrudintas maistas neturi rudai auksinio atspalvio ir / arba netraška.	Nustatyta temperatūra per žema ir/arba maistas buvo skrudinamas nepakankamai ilgai.	Norėdami sužinoti, ar pasirinktas paruošimo laikas ir/ar temperatūra yra teisingi, remkitės maisto pakuote arba lentele, pateiktoje šio informacinio bukletio pabaigoje. Temperatūros reguliatorių nustatykite į reikiamos temperatūros padėtį.
	Krepšelyje per didelį maisto kiekį.	Niekada vienu metu nekepkite daugiau maisto, nei nurodyta šio informacinio bukletio pabaigoje esančioje maisto lentelėje.
Skrudintuvė neveikia.	Buvo suaktyvintas šiluminis apsauginis išjungimo mechanizmas.	Norėdami pakeisti saugiklį, kreipkitės į savo „Philips“ atstovą arba į „Philips“ įgaliotąjį aptarnavimo centrą.
Skrudintuvė skleidžia stiprų nemalonų kvapą.	Persisunkęs ilgalaikis riebalus sulaukantis filtras.	Nuimtą dangtį bei filtrą plaukite karštu vandeniu ir indų plovimo skysčiu arba indaplovėje.
	Aliejus ar taukai nebetinkami naudoti.	Pakeiskite aliejų ar riebalus. Reguliariai perkoškite aliejų ar riebalus, tada juos bus galima naudoti ilgesnį laiką.
Garas eina ne iš filtro.	Naudojamo aliejaus ar riebalų rūšis netinka skrudinamam maistui.	Naudokite geros kokybės aliejų arba skystus kepimo riebalus. Niekada nemaišykite dviejų skirtingų aliejaus ar riebalų rūšių.
	Netinkamai uždarytas dangtis.	Uždarykite dangtį tinkamai.
Skrudinimo metu per skrudintuvės kraštus taškosi aliejus ar taukai.	Persisunkęs ilgalaikis riebalus sulaukantis filtras.	Nuimtą dangtį bei filtrą plaukite karštu vandeniu ir indų plovimo skysčiu arba indaplovėje.
	Skrudintuvėje yra per daug aliejaus ar riebalų.	Patikrinkite, ar aliejus arba taukai skrudintuvėje neviršija „MAX“ žymos.
	Maiste yra per daug drėgmės.	Prieš skrudindami maistą, gerai jį nusausinkite ir skrudinkite jį laikydamiesi šiamo vartotojo vadove pateiktų instrukcijų.
	Skrudinimo krepšelyje yra per daug maisto.	Niekada vienu metu nekepkite daugiau maisto, nei nurodyta šio informacinio bukletio pabaigoje esančioje maisto lentelėje.

Problema	Galima priežastis	Sprendimas
Aliejus ar riebalai skrudinimo metu stipriai putoja.	Maiste yra per daug drėgmės.	Prieš skrudindami maistą, gerai jį nusausinkite.
	Naudojamo aliejaus ar riebalų rūšis netinka skrudinamam maistui.	Naudokite geros kokybės aliejų arba skystus kepimo riebalus. Niekada nemaišykite dviejų skirtingų aliejaus ar riebalų rūšių.
	Netinkamai išvalytas vidinis dubuo .	Išvalykite vidinį indą (žr: skyrių „Valymas“).

Maisto lentelė (Pav. 20)

Ievads

Apsveicam ar pirkumu un laipni lūdzam Philips! Lai pilnībā izmantotu Philips piedāvātā atbalsta iespējas, reģistrējiet izstrādājumu vietnē www.philips.com/welcome.

Vispārējs apraksts (Zīm. 1)

- A Cepšanas grozs
- B Vāks
- C 'MIN' un 'MAX' norādes
- D Vada glabāšanas nodalījums
- E Vads
- F Iebūvēti rokturi
- G Atsevišķs ciparu taimeris
- H Ieslēgšanas/izslēgšanas slēdzis
- I Temperatūras regulēšana
- J PreClean funkcija
- K Temperatūras indikators
- L Vāka atvēršanas poga
- M Iekšējā bļoda
- N Noliešanas ierīce

Svarīgi!

Pirms ierīces lietošanas uzmanīgi izlasiet šo lietošanas pamācību un saglabājiet to, lai vajadzības gadījumā varētu ieskatīties tajā arī turpmāk.

Briesmas

- Nekad neiegremdējiet korpusu ar elektriskām detaļām un sildīšanas elementu ūdenī vai neskalojiet to zem krāna ūdens.

Brīdinājums!

- Pirms ierīces pievienošanas elektrotīklam pārbaudiet, vai uz tās norādītais spriegums atbilst elektrotīkla spriegumam jūsu mājā.
- Neizmantojiet ierīci, ja ir bojāta tās kontaktdakša, elektrības vads vai pati ierīce.
- Ja elektrības vads ir bojāts, tas jānomaina Philips pilnvarota tehniskās apkopes centra darbiniekiem vai līdzīgi kvalificētām personām, lai izvairītos no briesmām.
- Šo ierīci nedrīkst izmantot personas (tai skaitā bērni) ar fiziskiem, maņu vai garīgiem traucējumiem vai ar nepietiekamu pieredzi un zināšanām, kamēr par viņu drošību atbildīgā persona nav viņus īpaši apmācījusi šo ierīci izmantot.
- Jānodrošina, lai ar ierīci nevarētu rotaļāties mazi bērni.
- Glabājiet elektrības vadu bērniem nepieejamā vietā. Neļaujiet ierīces elektrības vadam nokarāties pāri galda vai darbvirsmas malai, kur novietota ierīce.
- Pievienojiet ierīci tikai iezemētai elektrotīkla sienas kontaktrozetei.
- Cepšanas laikā caur filtru izdalās karsts tvaiks. Turiet seju un rokas drošā attālumā no tvaika. Atverot vāku, uzmanieties no karsta tvaika.
- Šī ierīce nav paredzēta darbināšanai ar ārēju taimeru vai atsevišķu tālvadības sistēmu.

Ievērībai

- Ierīce jāpārbauda un jālabo tikai pilnvarotā Philips servisa centrā. Nemēģiniet labot ierīci pašu spēkiem, jo tad garantija vairs nebūs spēkā.
- Novietojiet ierīci uz horizontālas, gludas un stabilas virsmas.
- Neaiztieciets aizsargstiklu, tas var būt karsts cepšanas laikā.
- Ierīce ir paredzēta izmantošanai tikai mājās apstākļos. Ja ierīce tiek izmantota neatbilstoši vai profesionāliem, vai daļēji profesionāliem mērķiem vai netiek izmantota saskaņā ar lietotāja

rokasgrāmatā atrodamajām norādēm, garantija vairs nav spēkā, un Philips neuzņemsies atbildību par bojājumiem, kas radīsies.

- Gatavojiet ēdienu, līdz tas kļūst zeltaini dzeltens, nevis tumšs vai brūns, un izņemiet sadegušās drupačas. Negatavojiet cieti saturošus ēdienus, it īpaši kartupeļus vai graudaugu produktus temperatūrā, kas augstāka par 175 °C (lai mazinātu akrilamīda rašanos).
- Izvairieties no ūdens un/vai ledus nonākšanas saskarsmē ar eļļu vai taukiem, jo tas izraisa spēcīgu eļļas vai tauku sprakšķēšanu vai stipru burbuļošanu. Lai to novērstu, pirms cepat, notīriet visu lieko ledu no saldētajām sastāvdaļām un kārtīgi tās nosusiniet. Nepārpildiet grozu. Pēc tīrīšanas kārtīgi izžāvējiet visas daļas pirms liekat eļļu vai taukus cepšanas ierīcē.
- Necepiet eļļā Āzijas rīsu kūciņas (vai tamlīdzīgu pārtiku) šajā ierīcē. Tādējādi eļļa vai tauki var izšļakstīties no ierīces vai bīstami burbuļot.
- Pārliecinieties, ka cepšanas ierīce vienmēr ir piepildīta ar eļļu vai taukiem starp 'MIN' un 'MAX' norādēm, kas atrodas uz iekšējā trauka iekšpuses, lai novērstu pārplūšanu vai pārkaršanu.
- Neieslēdziet ierīci, pirms neesat to piepildījis ar eļļu vai taukiem, jo tādējādi var to sabojāt.

Elektromagnētiskie lauki (EML)

Šī Philips ierīce atbilst visiem standartiem saistībā ar elektromagnētiskiem laukiem (EML). Ja rīkojaties atbilstoši un saskaņā ar šajā rokasgrāmatā sniegtajām instrukcijām, ierīce ir droši izmantojama saskaņā ar mūsdienās pieejamajiem zinātniskiem datiem.

Sagatavošana lietošanai

- 1** Notīriet ierīci pirms to izmantojat pirmo reizi (skatiet nodaļu 'Tīrīšana').

Pārliecinieties, ka visas daļas ir sausas, pirms piepildāt cepšanas ierīci ar eļļu vai taukiem.

- 2** Nospiediet vāka atlaišanas pogu, lai atvērtu vāku (Zīm. 2).

- 3** Skatiet eļļas/tauku tabulu, lai noteiktu, cik daudz eļļas vai tauku nepieciešams ievietot cepšanas ierīcē (Zīm. 3).

- 4** Piepildiet cepšanas ierīci ar eļļu, šķidriem cepšanas taukiem vai izkausētiem taukiem, lai līmenis būtu starp norādēm 'MIN' un 'MAX', tad aizveriet vāku (Zīm. 4).

Neieslēdziet ierīci, pirms tajā nav iepildīta eļļa vai tauki.

Eļļa un tauki

Nekad nejauciet dažādas eļļas vai tauku tipus, nekad nepievienojiet jaunu eļļu vai taukus jau lietotai eļļai vai taukiem.

- Mēs jums iesakām izmantot cepšanas eļļu vai šķidrus cepšanas taukus. Labāk izmantojiet augu eļļu vai taukus, kas ir bagāti ar nepiesātinātiem taukiem (piem., linsēkām, sojas eļļu, zemesriekstu eļļu, kukurūzas eļļu vai saulespuķu eļļu).
- Jums jāmaina eļļa vai tauki regulāri, tāpēc ka eļļa un tauki zaudē savas labākās īpašības diezgan ātri (pēc 10-12 lietošanas reizēm).
- Ja eļļa vai tauki karsējot sāk putot, ja tiem ir stipra piegarša vai aromāts, ja tie kļūst tumši un/vai iegūst sīrupam līdzīgu konsistenci, tie noteikti jāmaina.

Cietie tauki

Var lietot arī cepšanai paredzētos cietos taukus. Tādā gadījumā nepieciešams ievērot īpašus piesardzības pasākumus, lai tauki nesprakšķētu un sildīšanas elements nepārkarstu vai netiktu bojāts.

- 1** Ja vēlaties lietot jaunus tauku gabaliņus, sākumā uz lēnas uguns izkausējiet tos parastā pannā.
- 2** Uzmanīgi salejiet izkausētos taukus cepšanas ierīcē.
- 3** Glabājiet cepšanas ierīci ar izkausētajiem taukiem istabas temperatūrā.

- 4 Ja tauki tiek pārāk atdzēsēti, tie var sākt sprakšķēt, tos atkārtoti karsējot. Lai to novērstu, ar dakšiņu sadurstiet kausētos taukus (Zīm. 5).

Uzmanieties, lai ar dakšiņu nesabojātu iekšējo trauku.

Ierīces lietošana

- 1 Izvelciet visu elektro vadu no uzglabāšanas nodalījuma un iespraudiet kontaktspraudni sienas kontaktrozetē (Zīm. 6).
- 2 Izslēdziet cepšanas ierīci (Zīm. 7).
 - ▶ Temperatūras lampiņa iedegas (Zīm. 8).
- 3 Uzstādiert temperatūras vadību uz nepieciešamo temperatūru (apskatiet ēdiena iepakojumu, lai noskaidrotu cepšanas temperatūru vai ēdiena tabulu lietošanas pamācības beigās).
- 4 Gaidiet līdz temperatūras gaismiņa izdziest (tas prasīs 10 līdz 15 minūtes).
- 5 Izlokiet cepšanas ierīces groza rokturi (Zīm. 9).
- 6 Atveriet vāku (Zīm. 2).
- 7 Izņemiet grozu no cepšanas ierīces un ievietojiet grozā cepamos produktus (Zīm. 10).

Necepiet ļoti lielus daudzumus vienā reizē. Nepārsniedziet daudzumus, kas minēti pārtikas tabulā šī bukleta beigās (☞ norāda ieteicamo daudzumu).

- 8 Novietojiet grozu uz atbalsta, bet vēl neiegremdējiet to eļļā vai taukos (Zīm. 11).
- 9 Aizveriet vāku.
- 10 Nospiediet pogu uz groza roktura un lieciet rokturi pret cepšanas ierīci. Grozs tiek automātiski iegremdēts eļļā vai taukos. (Zīm. 12)

Ceļot, temperatūras gaismiņa iedegas un nodziest laiku pa laikam, lai rādītu, ka sildīšanas elements ir ieslēdzas un izslēdzas, uzturot nepieciešamo temperatūru.

Taimeris

Piezīme. Jūs varat izmantot taimeri arī citiem nolūkiem, kā, piemēram, vispārēju gatavošanas taimeri.

Taimera noregulēšana

- 1 Piespiediet taimera pogu, lai izvēlētos cepšanas ilgumu minūtēs. (Zīm. 13)
 - ▶ Dažas sekundēs pēc tam, kad esat uzstādījis cepšanas laiku, taimeris sāk laika atpakaļ atskaiti.
 - ▶ Kamēr taimeris skaita laiku, ekrānā mirgo atlikušais cepšanas ilgums. Pēdējā minūte tiek rādīta sekundēs.
 - ▶ Kad uzstādītais laiks ir beidzies, jūs dzirdēsiet signālu. Pēc 10 sekundēm dzirdamais signāls tiek atkārtots. Nospiediet taimera pogu, lai izslēgtu dzirdamo signālu.

Piezīme. Varat izdzēst taimera iestatījumu, 2 sekundes nospiežot taimera pogu (kad taimeris mirgo) līdz parādās '00'.

Pēc cepšanas

- 1 Izlociet cepšanas ierīces groza rokturi (Zīm. 9).
- 2 Atveriet vāku (Zīm. 2).

Sargieties no karsta tvaika.

- 3 Izņemiet grozu no cepšanas ierīces un izlejiet eļļu vai taukus.
- 4 Ielieciet cepto pārtiku traukā vai caurdurī, kas izklāts ar taukus uzsūcošu papīru, piem., virtuves dvieļi.

5 Izbaudiet cepto ēdienu.

Ja jūs gribat cept vēl vienu porciju, gaidiet līdz temperatūras lampiņa izdziest.

6 Lai izslēgtu cepšanas ierīci, nospiediet ieslēgšanas/izslēgšanas pogu.**7** Ievietojiet grozu cepšanas ierīcē.**8** Aizveriet vāku.**9** Pēc lietošanas atvienojiet ierīci no elektrotīkla.

Piezīme. Mēs iesakām jums izņemt eļļu vai šķidros taukus, un ievietot leduskapī vai aukstā vietā labi noslēdzamos traukus, ja jūs nelietojat cepšanas ierīci regulāri.

Cepšanas veidi

- Informāciju par ēdiena gatavošanas laiku un temperatūru skatiet tabulā lietošanas pamācības beigās.
- Uzmanīgi nokratiet pēc iespējas vairāk ledus un ūdens, un nosusiniet pilnīgi sausus produktus, lai gatavotu.
- Necepiet ļoti lielus daudzumus vienā reizē. Nepārsniedziet daudzumus, kas minēti šī bukleta beigās (☞ norāda ieteicamo daudzumu).

Atbrīvošanās no nevēlamās garšas

Noteikti produktu veidi, īpaši zivs, var piešķirt eļļai vai taukiem nepatīkamu garšu. Lai neitralizētu eļļas vai tauku garšu:

1 Uzkarstējiet eļļu vai taukus līdz 160°C temperatūrai.**2** Ielieciet eļļā divas plānas maizes šķēles vai dažus pētersīļa zariņus.**3** Pagaidiet, līdz parādās vairāk burbuļu, un pēc tam ar lāpstiņu izņemiet maizi vai pētersīļus no taukvāres katla.

Eļļai vai taukiem tagad atkal ir neitrāla garša.

Mājās gatavoti frī kartupeļi

Vīsgaršīgākos un kraukšķīgākos frī kartupeļus gatavo šādi:

1 Izmantojiet cietus kartupeļus un sagrieziet tos salmiņos. Noskalojiet salmiņus aukstā ūdenī. Tādējādi tie cepšanas laikā nesalīps.

Piezīme. Salmiņus pilnīgi nosusiniet.

2 Cepiet frī kartupeļus divreiz: pirmo reizi 4-6 minūtes 160°C temperatūrā, otro reizi 5-8 minūtes 175°C temperatūrā.

Ļaujiet frī kartupeļiem atdzist, pirms cepat tos otrreiz.

3 Ievietojiet mājās gatavotus frī kartupeļus bļodā un sakratiet tos.

Tīrīšana

Ierīces tīrīšanai nekādā gadījumā nelietojiet skrāpjus, abrazīvus tīrīšanas līdzekļus vai agresīvus šķidrums, piemēram, benzīnu vai acetonu.

1 Atveriet vāku (Zīm. 2).**2** Pirms cepšanas ierīces tīrīšanas vai pārvietošanas, ļaujiet eļļai vai taukiem atdzist vismaz 4 stundas.**3** Lai noņemtu vāku, pavelciet to uz augšu (Zīm. 14).**4** Izceliet cepšanas grozu no cepšanas ierīces (Zīm. 10).

- 5** Izlejiet eļļu vai taukus (Zīm. 15).

PreClean funkcija

Šī ierīce ir aprīkota ar PreClean funkciju, kas, lai padarītu tīrīšanu vieglāku, ļauj Jums izmērcēt iekšējo bļodu ar karstu ūdeni un mazgāšanas šķidrums.

Pirms lietojat šo funkciju, pārliecinieties, ka esat iztukšojuši eļļu vai taukus no iekšējās bļodas.

- 1** Piepildiet trīs ceturtdaļas bļodas tilpuma ar aukstu ūdeni un pievienojiet nedaudz trauku mazgāšanas līdzekļa. (Zīm. 16)
- 2** Iespraudiet kontaktdakšu kontaktligzdā.
- 3** Ieslēdziet ierīci (Zīm. 7).
- 4** Uzstādiet temperatūras kontroli uz PreClean funkciju. (Zīm. 8)
 - ▶ Ūdens tiek uzkaršēts līdz temperatūrai, kas tuva vārīšanās punktam.
- 5** Pēc 30 minūtēm izslēdziet ierīci un atvienojiet to no elektrotīkla.
- 6** Izlejiet ūdeni no iekšējās bļodas un tīriet to, kā tas aprakstīts zemāk.

Ierīces tīrīšana

1 Tīriet bļodu, vāku un cepšanas grozu ar karstu ūdeni un nedaudz mazgāšanas līdzekļa. Vāks un cepšanas grozs var tikt mazgāts trauku mazgājamā mašīnā.

2 Tīriet cepšanas ierīces korpusu ar mitru lupatiņu (ar nedaudz tīrīšanas līdzekļa) un/vai virtuves dvieli.

Taimeris var tīrīt ar mitru drānu.

Nekad neiemērciet cepšanas ierīces korpusu vai taimeris ūdenī.

Pārliecinieties, ka visas daļas ir sausas, pirms papildāt cepšanas ierīci ar eļļu vai taukiem.

Uzglabāšana

- 1** Pirms cepšanas ierīces tīrīšanas vai pārvietošanas, ļaujiet eļļai vai taukiem atdzist vismaz 4 stundas.
- 2** Novietojiet/ievietojiet visas detaļas cepšanas ierīcē un aizveriet vāku.
- 3** Iestumiet vadu elektrovada glabāšanas nodaļumā. (Zīm. 6)
- 4** Paceliet cepšanas ierīci aiz rokturiem un noglabājiet to (Zīm. 17).

Vide

- Pēc ierīces kalpošanas laika beigām, neizmetiet to kopā ar sadzīves atkritumiem, bet nododiet to oficiālā savākšanas punktā pārstrādei. Tādā veidā jūs palīdzēsiet saudzēt apkārtējo vidi (Zīm. 18).
- Baterijas satur vielas, kas var piesāņot apkārtējo vidi. Neizmetiet baterijas kopā ar sadzīves atkritumiem, bet nododiet tās apstiprinātā bateriju savākšanas vietā. Pirms taimera izmantošanas beigšanas un nodošanas oficiālajā savākšanas vietā, vienmēr izņemiet taimera bateriju.

Taimera baterijas izņemšana

- 1** Lai noņemtu taimera priekšējo daļu, lietojiet mazu plakanu skrūvgriezi (Zīm. 19).
- 2** Izņemiet akumulatoru.

Garantija un apkalpošana

Ja nepieciešama apkope, informācija vai palīdzība, lūdzu, apmeklējiet Philips tīmekļa vietni www.philips.com vai sazinieties ar Philips klientu apkalpošanas centru savā valstī (tā tālruna numurs atrodams pasaules garantijas brošūrā). Ja jūsu valstī nav klientu apkalpošanas centra, griezieties pie vietējā Philips preču izplatītāja.

Kļūmju novēršana

Šajā nodaļā ir apkopotas visizplatītākās problēmas, ar kurām varat sastapties, izmantojot ierīci. Ja nevarat tās atrisināt, izmantojot zemāk redzamo informāciju, sazinieties ar klientu apkalpošanas centru savā valstī.

Problēma	Iespējamais iemesls	Risinājums
Pagatavotais ēdiens nav zeltaini brūnā krāsā un/vai nav kraukšķīgs.	Izvēlēta temperatūra ir pārāk zema un/vai produkti nav apstrādāti pietiekami ilgu laiku.	Pārbaudiet uz produktu iesaiņojuma vai šīs lietošanas pamācības tabulā, vai pareizi izvēlēta temperatūra un gatavošanas laiks. Pagrieziet temperatūras regulatoru uz pareizo temperatūras skalas iezīmi.
	Grozā ir pārāk daudz produktu.	Nekad necepiet vienā reizē vairāk ēdiena, nekā minēts ēdiena tabulā lietošanas pamācības beigās.
Cepšanas ierīce nedarbojas.	Termālais izslēdzējs ir ieslēdzies.	Lai nomainītu drošinātāju, vērsieties pie sava Philips preču izplatītāja vai Philips pilnvarotā apkalpes centra.
No cepšanas ierīces izdalās nepatīkams aromāts.	Pastāvīgais taukus uzsūcošais filtrs ir piesātināts.	Noņemiet vāku un nomazgājiet to un filtru karstā ūdenī ar šķidro trauku mazgāšanas līdzekli vai trauku mazgāšanas mašīnā.
	Eļļa vai tauki vairs nav pietiekami svaigi.	Nomainiet eļļu vai taukus. Regulāri izkāsiet eļļu vai taukus, lai tie ilgāk saglabātos svaigi.
	Eļļas vai tauku veids nav paredzēti produkti apstrādei cepšanas ierīcē.	Lietojiet kvalitatīvu eļļu vai šķidros taukus. Nekad nelietojiet vienlaikus dažādu veidu eļļu vai taukus.
Tvaiks izdalās ne tikai no filtra.	Vāks nav aizvērts pareizi.	Aizveriet vāku pareizi.
	Pastāvīgais taukus uzsūcošais filtrs ir piesātināts.	Noņemiet vāku un nomazgājiet to un filtru karstā ūdenī ar šķidro trauku mazgāšanas līdzekli vai trauku mazgāšanas mašīnā.
Gatavošanas laikā eļļa vai tauki šļakstās pāri cepšanas ierīces malām.	Cepšanas ierīcē ir pārāk daudz eļļas vai tauku.	Raugieties, lai eļļa vai tauki cepšanas ierīcē nepārsniedz rādījumu 'MAX'.
	Ēdiens satur pārāk daudz mitruma.	Rūpīgi nožāvējiet ēdienu pirms sākat to cept, un cepiet to saskaņā ar šajā lietotāja rokasgrāmatā minētajām norādēm.
	Grozā ir pārāk daudz ēdiena.	Necepiet vienā reizē vairāk ēdiena, nekā minēts ēdiena tabulā lietošanas pamācības beigās.

Problēma	Iespējamais iemesls	Risinājums
Gatavošanas laikā eļļa vai tauki stipri puto.	Ēdiens satur pārāk daudz mitruma.	Rūpīgi izkaltējiet ēdienu pirms tā cepšanas.
	Eļļas vai tauku veids nav paredzēti produktū apstrādei cepšanas ierīcē.	Lietojiet kvalitatīvu eļļu vai šķidros taukus. Nekad nelietojiet vienlaikus dažādu veidu eļļu vai taukus.
	Jūs neesat rūpīgi iztīrījis iekšējo blodu.	Iztīriet iekšējo blodu (skatiet nodaļu 'Tīrīšana').

Pārtikas tabula (Zīm. 20)

Wprowadzenie

Gratulujemy zakupu i witamy wśród użytkowników produktów Philips! Aby w pełni skorzystać z oferowanej przez firmę Philips pomocy, zarejestruj swój produkt na stronie www.philips.com/welcome.

Opis ogólny (rys. 1)

- A Kosz frytownicy
- B Pokrywka
- C Wskaźniki napelnienia „MIN” i „MAX”
- D Schowek na przewód sieciowy
- E Przewód sieciowy
- F Uchwyty ułatwiające przenoszenie
- G Oddzielny zegar cyfrowy
- H Wyłącznik
- I Regulacja temperatury
- J Funkcja PreClean
- K Wskaźnik temperatury
- L Przycisk zwalniający pokrywkę
- M Misa wewnętrzna
- N Dziobek ułatwiający wylewanie

Ważne

Przed rozpoczęciem korzystania z urządzenia zapoznaj się dokładnie z jego instrukcją obsługi. Instrukcję warto też zachować na przyszłość.

Niebezpieczeństwo

- Nigdy nie zanurzaj ani nie myj pod bieżącą wodą obudowy, w której znajdują się części elektryczne i element grzejny.

Ostrzeżenie

- Przed podłączeniem urządzenia upewnij się, że napięcie podane na urządzeniu jest zgodne z napięciem w sieci elektrycznej.
- Nie używaj urządzenia, jeśli uszkodzona jest wtyczka, przewód sieciowy lub samo urządzenie.
- Ze względów bezpieczeństwa wymianę uszkodzonego przewodu sieciowego należy zlecić autoryzowanemu centrum serwisowemu firmy Philips lub odpowiednio wykwalifikowanej osobie.
- Urządzenie nie jest przeznaczone do użytku przez osoby (w tym dzieci) o ograniczonych zdolnościach fizycznych, sensorycznych lub umysłowych, a także nieposiadające wiedzy lub doświadczenia w użytkowaniu tego typu urządzeń, chyba że będą one nadzorowane lub zostaną poinstruowane na temat korzystania z tego urządzenia przez opiekuna.
- Nie pozwalaj dzieciom bawić się urządzeniem.
- Ułóż przewód sieciowy w miejscu niedostępnym dla dzieci. Nie pozwól, aby przewód sieciowy zwisał z krawędzi stołu czy blatu, na którym ustawione jest urządzenie.
- Podłączaj urządzenie wyłącznie do uziemionego gniazdka elektrycznego.
- Podczas smażenia przez filtr w pokrywce uchodzi gorąca para. Chroń ręce i twarz przed oparzeniem. Uważaj także na parę w trakcie otwierania pokrywki.
- Urządzenia nie należy podłączać do zewnętrznego włącznika czasowego lub oddzielnego układu zdalnego sterowania.

Uwaga

- Konieczność przeglądu lub naprawy urządzenia zawsze zgłaszaj do autoryzowanego centrum serwisowego firmy Philips. Nie próbuj naprawiać urządzenia samodzielnie, gdyż spowoduje to unieważnienie gwarancji.

- Ustaw urządzenie na poziomej, równej i stabilnej powierzchni.
- Nie dotykaj okienka umożliwiającego obserwację procesu, ponieważ podczas smażenia nagrzewa się ono do wysokiej temperatury.
- Urządzenie to jest przeznaczone wyłącznie do użytku domowego. Używanie go w profesjonalnych lub półprofesjonalnych punktach gastronomicznych bądź w sposób niezgodny z niniejszą instrukcją spowoduje unieważnienie gwarancji. Firma Philips nie ponosi odpowiedzialności za uszkodzenia powstałe w takich przypadkach.
- Smaż jedzenie na kolor złotożółty, a nie ciemny lub brązowy i usuwaj spalone resztki. Nie smaż produktów o dużej zawartości skrobi, zwłaszcza ziemniaczanych i zbożowych, w temperaturze powyżej 175°C (aby zminimalizować wytwarzanie akryloamidu).
- Nie dopuść do zetknięcia się wody i/lub lodu z olejem lub tłuszczem, gdyż może to spowodować silne rozpryskiwanie lub gwałtowne bulgotanie oleju lub tłuszczu. Aby temu zapobiec, przed smażeniem usuń nadmiar lodu z zamrożonych składników i dokładnie je wysusz. Nie przepelniaj kosza. Po umyciu dokładnie wysusz wszystkie części urządzenia przed waniem oleju lub tłuszczu do frytownicy.
- Nie smaż w tym urządzeniu ciasteczek ryżowych (lub podobnej żywności). Może to spowodować silne rozpryskiwanie lub gwałtowne bulgotanie oleju lub tłuszczu.
- Aby zapobiec przegrzaniu lub przelaniu, frytownica powinna być zawsze wypełniona olejem lub tłuszczem do poziomu pomiędzy wskaźnikami „MIN” i „MAX” znajdującymi się w środku miski wewnętrznej.
- Nie należy włączać urządzenia przed waniem oleju lub tłuszczu, gdyż można je w ten sposób uszkodzić.

Pola elektromagnetyczne (EMF)

To urządzenie firmy Philips spełnia wszystkie normy dotyczące pól elektromagnetycznych. Jeśli użytkownik odpowiednio się z nim obchodzi i używa go zgodnie z zaleceniami zawartymi w instrukcji obsługi, urządzenie jest bezpieczne w użytkowaniu, co potwierdzają wyniki aktualnych badań naukowych.

Przygotowanie do użycia

1 Przed pierwszym użyciem wyczyść urządzenie (patrz rozdział „Czyszczenie”).

Zanim napełnisz frytownicę olejem lub roztopionym tłuszczem, upewnij się, że wszystkie jej części są zupełnie suche.

2 Naciśnij przycisk zwalniający pokrywkę, aby ją otworzyć (rys. 2).

3 Ustal na podstawie tabeli ilość oleju/tłuszczu potrzebnego do smażenia we frytownicy (rys. 3).

4 Napełnij frytownicę olejem, płynnym tłuszczem do smażenia lub rozpuszczonym tłuszczem w stanie stałym do poziomu między wskaźnikami „MIN” i „MAX” i zamknij pokrywkę (rys. 4).

Nie należy włączać urządzenia przed waniem oleju lub tłuszczu.

Olej i tłuszcz

Nigdy nie należy mieszać różnych typów oleju lub tłuszczu. Nie należy także dodawać świeżego oleju lub tłuszczu do już użytego.

- Zalecamy używanie oleju lub innego płynnego tłuszczu do smażenia, najlepiej oleju roślinnego lub innego bogatego w tłuszcze nienasycone (np. z dodatkiem kwasu linolowego), takiego jak olej sojowy, olej z orzeszków ziemnych, olej kukurydziany lub słonecznikowy.
- Ponieważ olej i tłuszcz dość szybko tracą swe cenne właściwości, należy wymieniać je regularnie (po 10–12 smażeniach).
- Zawsze należy zmieniać olej lub tłuszcz, jeśli podczas podgrzewania na ich powierzchni zaczyna pojawiać się piana, gdy mają intensywny zapach lub smak, gdy stają się ciemne lub gdy przybierają konsystencję syropu.

Tłuszcz w stanie stałym

Do smażenia można także używać tłuszczu w stanie stałym, jednak należy wówczas zastosować dodatkowe środki bezpieczeństwa, aby zapobiec rozpryskiwaniu się tłuszczu oraz przegrzaniu lub uszkodzeniu elementu grzejnego.

- 1 Świeże kostki tłuszczu rozpuść na małym ogniu na zwykłej patelni.
- 2 Przelej ostrożnie rozpuszczony tłuszcz do frytownicy.
- 3 Frytownicę z zastygłym wewnątrz tłuszczem przechowuj w temperaturze pokojowej.
- 4 Zbyt mocno oziębiony tłuszcz mocno rozpryskuje się podczas smażenia. Aby do tego nie dopuścić, zestalony tłuszcz nakłuj w kilku miejscach widelcem (rys. 5).

Uważaj, aby nakłuwając tłuszcz widelcem, nie zniszczyć misy wewnętrznej.

Zasady używania

- 1 Wyciągnij ze schowka cały przewód sieciowy i włóż wtyczkę do gniazdka elektrycznego (rys. 6).
- 2 Włącz frytownicę (rys. 7).
 - ▷ Zaświeci się wskaźnik temperatury (rys. 8).
- 3 Ustaw regulator temperatury na wymaganą temperaturę (wskaźniki można znaleźć na opakowaniu żywności przeznaczonej do smażenia lub w tabeli przyrządzania pożywienia na końcu instrukcji).
- 4 Odczekaj, aż zgaśnie wskaźnik temperatury (po ok. 10–15 minutach).
- 5 Rozłóż uchwyt kosza (rys. 9).
- 6 Otwórz pokrywkę (rys. 2).
- 7 Wyjmij kosz z frytownicy i umieść w nim produkt przeznaczony do smażenia (rys. 10).

Nie należy smażyć bardzo dużych ilości na raz. Nie należy przekraczać zalecanej ilości składników wymienionej w tabeli na końcu niniejszej instrukcji obsługi (zalecane ilości oznaczono ☞).

- 8 Połóż kosz na wsporniku, nie zanurzając go jeszcze w oleju lub tłuszczu (rys. 11).
- 9 Zamknij pokrywkę.

- 10 Naciśnij przycisk na uchwycie kosza i zegnij uchwyt na dół w kierunku frytownicy. Kosz zostanie automatycznie zanurzony w oleju lub tłuszczu. (rys. 12)

Podczas smażenia wskaźnik temperatury naprzemian zapala się i gaśnie, sygnalizując włączanie się i wyłączenie elementu grzejnego w celu utrzymania właściwej temperatury.

Minutnik

Uwaga: Zegar ten można również używać do innych celów, np. jako minutnik kuchenny.

Ustawianie zegara cyfrowego

- 1 Naciskając przycisk zegara, ustaw czas smażenia w minutach. (rys. 13)
 - ▷ Kilka sekund po ustawieniu czasu smażenia zegar zacznie odliczać czas.
 - ▷ Podczas odliczania czasu przez zegar na wyświetlaczu miga czas pozostały do zakończenia smażenia. Ostatnia minuta smażenia wskazywana jest w sekundach.
 - ▷ Po upływie ustawionego czasu będzie słychać sygnał dzwinkowy. Po 10 sekundach sygnał dzwinkowy zostanie powtórzony. Naciśnij przycisk zegara, aby go wyłączyć.

Uwaga: Można skasować ustawienie zegara, naciskając i przytrzymując wciśnięty przez 2 sekundy przycisk zegara (w tym czasie wartość na wyświetlaczu miga), aż pojawi się wartość „,00”.

Po zakończeniu smażenia

1 Rozłóż uchwyt kosza (rys. 9).

2 Otwórz pokrywkę (rys. 2).

Uważaj na gorącą parę.

3 Wyjmij kosz z frytownicy i odsącz nadmiar oleju lub tłuszczu.

4 Włóż usmażone jedzenie do miski lub cedzaka wyłożonego papierem pochłaniającym tłuszcz, np. papierowym ręcznikiem kuchennym.

5 Danie jest gotowe do spożycia. Smacznego.

Przed przystąpieniem do smażenia następnej partii pożywienia należy odczekać, aż zgaśnie wskaźnik temperatury.

6 Naciśnij wyłącznik, aby wyłączyć frytownicę.

7 Włóż kosz do frytownicy.

8 Zamknij pokrywkę.

9 Po zakończeniu korzystania z urządzenia wyjmij wtyczkę z gniazdka elektrycznego.

Uwaga: Jeśli frytownica nie jest używana regularnie, zaleca się przelanie oleju lub tłuszczu do szczelnie zamkniętego pojemnika i przechowywanie go w lodówce lub w chłodnym miejscu.

Wskazówki dotyczące smażenia

- Czasy i temperatury smażenia zamieszczono w tabeli na końcu niniejszej instrukcji.
- Z zamrożonego pożywienia przeznaczonego do smażenia strząśnij ostrożnie pozostałości lodu i jak najlepiej go osusz.
- Nie należy smażyć dużych ilości na raz. Nie należy przekraczać zalecanej ilości składników wymienionej na końcu niniejszej instrukcji obsługi (zalecane ilości oznaczono ☞).

Eliminowanie niepożądanych smaków

Niektóre rodzaje żywności, szczególnie ryby, powodują, że olej lub tłuszcz nabierają podczas smażenia nieprzyjemnego smaku. Aby smak ten zneutralizować:

1 Podgrzej olej lub tłuszcz do temperatury 160°C.

2 Zanurz w oleju dwie cienkie kromki chleba lub kilka gałązek pietruszki.

3 Odczekaj, aż przestaną pojawiać się pęcherzyki powietrza, a następnie wyjmij łyżką chleb i pietruszkę z frytownicy.

Olej i tłuszcz będą znów miały neutralny smak.

Frytki domowej roboty

Najsmaczniejsze i najbardziej chrupiące frytki można przygotować w następujący sposób:

1 Twarde obrane ziemniaki pokrój w paski. Oplucz je w zimnej wodzie.

Zapobiega to sklejanemu się pasków ziemniaków podczas smażenia.

Uwaga: Osusz je dokładnie.

2 Frytki smażone są w dwóch etapach: po raz pierwszy przez 4–6 minut w temperaturze 160°C i po raz drugi przez 5–8 minut w temperaturze 175°C.

Przed drugim etapem smażenia frytki muszą całkiem ostygnąć.

- Przełóż przygotowane frytki do miski i potrząśnij nią.

Czyszczenie

Do czyszczenia urządzenia nigdy nie używaj czyścików, środków ściernych ani żrących płynów, takich jak benzyna lub aceton.

- Otwórz pokrywkę (rys. 2).
- Przed myciem lub przeniesieniem frytownicy należy odczekać co najmniej 4 godziny, aż olej lub tłuszcz ostygną.
- Pociągnij pokrywkę do góry, aby ją wyjąć (rys. 14).
- Wymij koszyk z frytownicy (rys. 10).
- Wylej olej lub tłuszcz (rys. 15).

Funkcja PreClean

Urządzenie wyposażone jest w funkcję PreClean, umożliwiającą namoczenie w wodzie misy wewnętrznej, co ułatwia jej umycie.

Przed użyciem tej funkcji należy upewnić się, że olej lub tłuszcz zostały wylane z misy.

- Napełnij wewnętrzną misę zimną wodą do 3/4 jej pojemności i dodaj trochę płynu do mycia naczyń. (rys. 16)
- Włóż wtyczkę do gniazdka elektrycznego.
- Włącz urządzenie (rys. 7).
- Ustaw regulator temperatury na funkcję PreClean. (rys. 8)
 - Woda zostanie podgrzana do temperatury bliskiej temperaturze wrzenia.
- Po 30 minutach wyłącz urządzenie i wyjmij jego wtyczkę z gniazdka elektrycznego.
- Wylej wodę z misy wewnętrznej i umyj ją w sposób opisany poniżej.

Czyszczenie

- Umyj misę, pokrywkę i kosz frytownicy gorącą wodą z dodatkiem płynu do mycia, opłucz czystą wodą i dokładnie osusz.

Pokrywkę i kosz frytownicy można myć w zmywarce.

- Obudowę umyć wilgotną szmatką (zwilżoną płynem do mycia naczyń) lub ręcznikami kuchennymi.

Zegar cyfrowy można wytrzeć wilgotną szmatką.

Nigdy nie należy zanurzać całej frytownicy lub zegara w wodzie.

Zanim napełnisz frytownicę olejem lub roztopionym tłuszczem, upewnij się, że wszystkie jej części są zupełnie suche.

Przechowywanie

- Przed odstawieniem frytownicy należy odczekać co najmniej 4 godziny, aż olej lub tłuszcz ostygną.
- Włóż ponownie wszystkie części do frytownicy i zamknij pokrywkę.
- Włóż przewód sieciowy do schowka. (rys. 6)
- Przenieś frytownicę na miejsce przechowywania, trzymając za uchwyty w podstawie (rys. 17).

Ochrona środowiska

- Zużytego urządzenia nie należy wyrzucać wraz ze zwykłymi odpadami gospodarstwa domowego — należy oddać je do punktu zbiórki surowców wtórnych w celu utylizacji. Stosowanie się do tego zalecenia pomaga w ochronie środowiska (rys. 18).
- Baterie zawierają substancje szkodliwe dla środowiska naturalnego. Nie należy ich wyrzucać wraz z innymi odpadami gospodarstwa domowego, tylko oddać je do punktu zbiórki surowców wtórnych. Przed wyrzuceniem lub oddaniem zegara do punktu zbiórki surowców wtórnych należy pamiętać o wyjęciu baterii.

Wyjmowanie baterii z zegara

- 1 Do zdjęcia osłony komory baterii zegara użyj małego płaskiego śrubokrętu (rys. 19).
- 2 Wyjmij akumulator.

Gwarancja i serwis

W razie konieczności naprawy lub w przypadku jakichkolwiek pytań lub problemów prosimy odwiedzić naszą stronę internetową www.philips.com lub skontaktować się z Centrum Obsługi Klienta firmy Philips (numer telefonu znajduje się na ulotce gwarancyjnej). Jeśli w Państwa kraju zamieszkania nie ma takiego Centrum, o pomoc należy zwrócić się do sprzedawcy produktów firmy Philips.

Rozwiązywanie problemów

W tym rozdziale opisano najczęstsze problemy, z którymi można się zetknąć, korzystając z urządzenia. Jeśli poniższe wskazówki okażą się niewystarczające do rozwiązania problemu, należy skontaktować się z lokalnym Centrum Obsługi Klienta.

Problem	Prawdopodobna przyczyna	Rozwiązanie
Smażone pożywienie nie ma złotobrazowego odcienia i nie jest chrupiące.	Temperatura jest za niska lub jedzenie nie smażyło się wystarczająco długo.	Sprawdź na opakowaniu pożywienia lub w tabeli znajdującej się na końcu niniejszej instrukcji, czy wybrana została prawidłowa temperatura i czas smażenia. Ustaw regulator temperatury na prawidłowej wartości.
	Zbyt duża ilość pożywienia w koszu.	Nigdy nie smaż większej ilości pożywienia niż podano w tabeli na końcu niniejszej instrukcji.
Frytownica nie działa.	Zadziałał termiczny wyłącznik bezpieczeństwa.	Skontaktuj się ze sprzedawcą firmy Philips lub autoryzowanym centrum serwisowym firmy Philips w celu wymiany bezpiecznika.
Z frytownicy wydostaje się silny, nieprzyjemny zapach.	Stały filtr przeciw tłuszczowy jest nasycony.	Zdejmij pokrywkę i umyj ją wraz z filtrem w gorącej wodzie z dodatkiem środka do mycia naczyń lub w zmywarce.
	Olej lub inny tłuszcz nie jest już świeży.	Zmień olej lub tłuszcz. Regularnie precedzaj olej lub tłuszcz.
	Używany olej lub tłuszcz nie nadaje się do głębokiego smażenia.	Zawsze używaj oleju lub płynnego tłuszczu dobrej jakości. Nie mieszaj różnych rodzajów oleju lub tłuszczu.

Problem	Prawdopodobna przyczyna	Rozwiązanie
Para wydostaje się nie tylko przez filtr:	Pokrywka jest nieprawidłowo zamknięta.	Zamknij pokrywkę w prawidłowy sposób.
	Stały filtr przeciw tłuszczowy jest nasycony.	Zdejmij pokrywkę i umyj ją wraz z filtrem w gorącej wodzie z dodatkiem środka do mycia naczyń lub w zmywarce.
Podczas smażenia olej lub tłuszcz pryskają poza frytownicę.	We frytownicy jest za dużo oleju lub tłuszczu.	Upewnij się, że olej lub tłuszcz nie przekracza poziomu oznaczonego „MAX”.
	Pożywienie zawiera za dużo wody.	Dokładnie osusz pokrawkę przed rozpoczęciem smażenia i smaż je zgodnie z tą instrukcją obsługi.
	Zbyt duża ilość pokrawki w koszu.	Nigdy nie smaż większej ilości pokrawki niż podano w tabeli na końcu niniejszej instrukcji.
Olej lub tłuszcz pienia się mocno podczas smażenia.	Pożywienie zawiera za dużo wody.	Dokładnie osusz pokrawkę przed smażeniem.
	Używany olej lub tłuszcz nie nadaje się do głębokiego smażenia.	Zawsze używaj oleju lub płynnego tłuszczu dobrej jakości. Nie mieszaj różnych rodzajów oleju lub tłuszczu.
	Możliwe, że miska wewnętrzna została niedokładnie wyczyszczona.	Umyj wewnętrzną misę (patrz rozdział „Czyszczenie”).

Tabela żywności (rys. 20)

Introducere

Felicitări pentru achiziție și bun venit la Philips! Pentru a beneficia pe deplin de asistența oferită de Philips, înregistrați-vă produsul la www.philips.com/welcome.

Descriere generală (fig. 1)

- A Coșul de prăjire
- B Capacul
- C Indicatori "MIN" și "MAX"
- D Compartiment pentru păstrarea cablului
- E Cablul
- F Mânere încorporate
- G Cronometru digital separat
- H Comutator Pomit/Oprit (On/Off)
- I Buton de control al temperaturii
- J Funcția PreClean
- K Indicator de temperatură
- L Buton de decuplare a capacului
- M Castronul interior
- N Zonă de evacuare a uleiului

Important

Citiți cu atenție acest manual de utilizare și păstrați-l pentru consultare ulterioară.

Pericol

- Nu introduceți niciodată carcasa în apă și nu o spălați niciodată sub jet, deoarece conține componente electrice și elemente de încălzire.

Avertisment

- Înainte de a conecta aparatul, verificați dacă tensiunea indicată pe aparat corespunde tensiunii de alimentare locale.
- Nu folosiți aparatul dacă ștecherul, cablul de alimentare sau aparatul însuși este deteriorat.
- În cazul în care cablul de alimentare este deteriorat, acesta trebuie înlocuit întotdeauna de Philips, de un centru de service autorizat de Philips sau de personal calificat în domeniu, pentru a evita orice accident.
- Acest aparat nu trebuie utilizat de către persoane (inclusiv copii) care au capacități fizice, mentale sau senzoriale reduse sau sunt lipsite de experiență și cunoștințe, cu excepția cazului în care sunt supravegheați sau instruiți cu privire la utilizarea aparatului de către o persoană responsabilă pentru siguranța lor.
- Copiii trebuie supravegheați pentru a nu se juca cu aparatul.
- Nu lăsați cablul de alimentare la îndemâna copiilor. Nu lăsați cablul de alimentare să atârne peste marginea mesei sau a blatului pe care este așezat aparatul.
- Conectați aparatul numai la o priză de perete cu împământare.
- În timpul prăjirii, prin filtru este eliminat abur fierbinte. Nu vă apropiați mâinile sau fața de acest abur. De asemenea, aveți grijă la aburul fierbinte atunci când deschideți capacul.
- Acest aparat nu este destinat acționării prin intermediul unui cronometru exterior sau al unui sistem separat de telecomandă.

Precauție

- În cazul în care aparatul trebuie verificat sau reparat, apălați întotdeauna la un centru de service autorizat de Philips. Nu încercați să reparați dvs. aparatul, deoarece acest lucru va determina anularea garanției.
- Poziționați aparatul pe o suprafață solidă, plată și stabilă.
- Nu atingeți fereastra friteuzei, deoarece aceasta se încălzește în timpul prăjirii.

- Aparatul este conceput doar pentru utilizare casnică. Dacă este utilizat în mod necorespunzător, în regim profesional sau semi-profesional, sau fără respectarea instrucțiunilor din manualul de utilizare, garanția poate fi anulată, iar Philips își va declina orice responsabilitate pentru daunele provocate.
- Obțineți alimente prăjite auriu în locul celor negre sau maro închis, cu resturi arse! Nu prăjiți alimente cu conținut ridicat de amidon, în special cartofi și produse din cereale, la temperaturi mai mari de 175°C (pentru a reduce la minim producerea de acrilamidă).
- Evitați ca apa și/sau gheața să intre în contact cu uleiul sau grăsimea, deoarece acest lucru cauzează stropirea puternică cu ulei sau grăsime încinsă. Pentru a evita acest fapt, îndepărtați gheața în exces de pe ingredientele înghețate și uscați-le temeinic înainte de a le prăji. Nu umpleți excesiv coșul. După curățare, ștergeți toate componentele temeinic înainte de a introduce ulei sau grăsime în friteuză.
- Nu prăjiți prăjituri asiatice cu orez (sau alte alimente similare) în acest aparat. Acest lucru poate conduce la stropirea puternică cu ulei sau grăsime încinsă.
- Asigurați-vă că friteuza este întotdeauna umplută cu ulei sau grăsime până la un nivel aflat între marcajele 'MIN' și 'MAX' de pe castronul interior, pentru a preveni revărsarea sau încălzirea excesivă.
- Nu porniți friteuza înainte de a o umple cu ulei sau grăsime, deoarece acest lucru poate deteriora aparatul.

Câmpuri electromagnetice (EMF)

Acest aparat Philips respectă toate standardele referitoare la câmpuri electromagnetice (EMF). Dacă este manevrat corespunzător și în conformitate cu instrucțiunile din acest manual, aparatul este sigur conform dovezilor științifice disponibile în prezent.

Pregătirea pentru utilizare

- 1** Curățați aparatul înainte de a-l utiliza pentru prima oară (consultați capitolul 'Curățare').

Asigurați-vă că toate componentele sunt uscate înainte de a umple friteuza cu ulei sau grăsime.

- 2** Apăsați butonul de eliberare al capacului pentru a-l deschide (fig. 2).

- 3** Consultați tabelul pentru ulei/grăsime pentru a afla cât ulei/grăsime trebuie să puneți în friteuză (fig. 3).

- 4** Umpleți friteuza cu ulei, grăsime lichidă sau untură solidă topită până la un nivel situat între indicatorii "MIN" și "MAX" și închideți capacul (fig. 4).

Nu porniți aparatul înainte de a-l umple cu ulei sau grăsime.

Uleiul și grăsimea

Nu amestecați niciodată mai multe tipuri de grăsimi și nu adăugați niciodată grăsime proaspătă peste cea folosită.

- Vă sugerăm să utilizați ulei sau grăsime lichidă pentru prăjire. Este de preferat să utilizați ulei vegetal sau untură cu conținut ridicat de grăsimi nesaturate (de ex. acid linoleic), cum ar fi ulei de soia, ulei de arahide, ulei de porumb sau ulei de floarea soarelui.
- Deoarece uleiul și grăsimea își pierd proprietățile relativ repede, acestea trebuie schimbate regulat (după 10-12 utilizări).
- Schimbați imediat uleiul dacă acesta face spumă în timpul încălzirii, dacă are miros sau gust neplăcut, dacă se închide la culoare sau devine vâscos.

Grăsime solidă

Se poate utiliza și untură solidă. În acest caz se impun precauții suplimentare pentru a preveni stropirea cu grăsime încinsă, supraîncălzirea și deteriorarea elementului de încălzire.

- 1 Dacă doriți să folosiți bucăți de slănină netopită, topiți-le în prealabil la foc mic într-o tigaie normală.
- 2 Turnați apoi untura topită în friteuză.
- 3 Păstrați apoi friteuza cu untura resolidificată la temperatura camerei.
- 4 Dacă untura este foarte rece, este posibil să stropească atunci când este încinsă. Întrepați untura solidificată de câteva ori cu o furculiță pentru a preveni acest lucru (fig. 5).

Aveți grijă să nu deteriorați castronul interior cu furculița.

Utilizarea aparatului

- 1 Scoateți tot cablul din compartimentul de stocare și cuplați-l la o priză de perete (fig. 6).
- 2 Porniți friteuza (fig. 7).
 - ▶ Se va aprinde ledul pentru temperatură (fig. 8).
- 3 Setați butonul pentru temperatură la temperatura necesară (citiți ambalajele alimentelor sau consultați tabelul de la sfârșitul acestei broșuri).
- 4 Așteptați până când ledul pentru temperatură se stinge (durează cca. 10 -15 minute).
- 5 De-pliați mânerul coșului (fig. 9).
- 6 Deschideți capacul (fig. 2).
- 7 Scoateți coșul din friteuză și umpleți-l cu alimentele pe care doriți să le prăjiți (fig. 10).

Nu prăjiți cantități foarte mari simultan. Nu depășiți cantitățile menționate în tabelul de alimente de la sfârșitul acestei broșuri (☞ prezintă cantitatea recomandată).

- 8 Puneți coșul pe suport, dar nu îl coborâți încă în ulei sau în grăsime (fig. 11).

- 9 Închideți capacul.

- 10 Apăsăți butonul de pe mânerul coșului și aduceți (pliați) mânerul lângă friteuză. Coșul va fi automat coborât în uleiul încins. (fig. 12)

În timpul prăjirii, ledul de temperatură se aprinde și se stinge din când în când, indicând momentele în care pornește sau se oprește rezistența, pentru a menține temperatura potrivită.

Cronometru

Notă: Puteți utiliza cronometrul și în alte scopuri - de ex., pentru măsurarea timpului de coacere la cuptor.

Setarea cronometrului

- 1 Apăsăți butonul pentru cronometru pentru a seta timpul de prăjire, în minute. (fig. 13)
 - ▶ La câteva secunde de la setarea timpului de prăjire, cronometrul începe numărătoarea inversă.
 - ▶ În timpul numărătorii inverse, timpul rămas clipește pe afișaj. Ultimul minut este afișat în secunde.
 - ▶ După expirarea timpului setat, veți auzi un semnal sonor. După 10 de secunde, semnalul va fi repetat. Apăsăți butonul cronometrului pentru a opri semnalul sonor.

Notă: Puteți șterge setarea cronometrului apăsând butonul cronometrului timp de 2 secunde (în momentul în care afișajul clipește), până la apariția cifrelor '00'.

După prăjire

- 1 Ridicați mânerul coșului (fig. 9).

2 Deschideți capacul (fig. 2).

Atenție la aburul fierbinte.

3 Scoateți coșul din friteuză și scurgeți uleiul sau grăsimea.

4 Puneți alimentele prăjite într-un castron tapetat cu hârtie absorbantă (de exemplu, șervet de bucătărie).

5 Savurați alimentele gătite.

Dacă doriți să prăjiți o altă șarjă, așteptați să se stingă ledul pentru temperatură.

6 Apăsați comutatorul Pornit/Oprit pentru a opri friteuza.

7 Introduceți coșul în friteuză.

8 Închideți capacul.

9 Scoateți ștecherul din priză după utilizare.

Notă: Dacă nu utilizați friteuza în mod regulat, vă sugerăm să scoateți grăsimea și să o depozitați în vase bine închise, de preferință în congelator sau într-un loc răcoros.

Sugestii pentru prăjire

- Pentru mai multe informații referitoare la timpii de preparare și temperaturile de prăjire, consultați tabelul de la sfârșitul acestei broșuri.
- Îndepărtați cât mai mult din gheața și apa conținute de aceste alimente, și încercați să le uscați cât mai bine.
- Nu prăjiți cantități foarte mari simultan. Nu depășiți cantitățile menționate la sfârșitul acestei broșuri (☞ prezintă cantitatea recomandată).

Cum să eliminați mirosurile neplăcute

Anumite alimente, în special peștele, pot da uleiului un miros neplăcut. Pentru a neutraliza gustul și mirosul uleiului sau grăsimii:

1 Încălziți uleiul sau grăsimea la o temperatură de 160°C.

2 Puneți două felii de pâine sau câteva frunze de pătrunjel în ulei.

3 Așteptați până când nu mai apar bule, apoi scoateți pâinea sau pătrunjelul cu o lingură.

Uleiul sau grăsimea își va pierde astfel gustul neplăcut.

Cartofi prăjiți

Puteți obține cei mai gustoși și mai crocanți cartofi prăjiți în următorul mod:

1 Folosiți cartofi tari și tăiați-i subțire. Clătiți cartofii tăiați cu apă rece.

Astfel îi împiedicați să se lipească unul de altul în timpul prăjirii.

Notă: Uscați bine cartofii tăiați.

2 Prăjiți cartofii de două ori: prima dată, timp de 4-6 minute la o temperatură de 160°C, iar a doua oară timp de 5-8 minute la o temperatură de 175°C.

Lăsați cartofii prăjiți să se răcească înainte de a-i prăji a doua oară.

3 Puneți cartofii prăjiți într-un castron și scuturați-i.

Curățarea

Nu folosiți niciodată bureți de sârmă, agenți de curățare abrazivi sau lichide agresive cum ar fi benzina sau acetona pentru a curăța aparatul.

- 1 Deschideți capacul (fig. 2).
- 2 Lăsați uleiul sau grăsimea să se răcească timp de minimum 4 ore înainte de a goli sau muta friteuza.
- 3 Trageți capacul în sus pentru a-l îndepărta (fig. 14).
- 4 Scoateți coșul de prăjire din friteuză (fig. 10).
- 5 Turnați uleiul sau grăsimea într-un vas (fig. 15).

Funcția PreClean

Aparatul dispune de o funcție PreClean, care vă permite să umpleți castronul interior cu apă și detergent lichid, pentru a ușura procedura de spălare.

Asigurați-vă că ați scos uleiul sau grăsimea din castronul interior înainte de a utiliza această funcție.

- 1 Umpleți castronul interior cu apă rece până la trei sferturi din capacitate și adăugați puțin detergent lichid. (fig. 16)
- 2 Introduceți ștecherul în priză.
- 3 Porniți aparatul (fig. 7).
- 4 Setați butonul de control al temperaturii la funcția PreClean. (fig. 8)
 - ▶ Apa va fi încălzită la o temperatură apropiată de punctul de fierbere.
- 5 După 30 de minute, opriți aparatul și scoateți ștecherul din priză.
- 6 Aruncați apa din castronul interior și curățați-l după cum este descris mai jos.

Curățarea aparatului

- 1 Curățați castronul, capacul și coșul pentru prăjire cu apă caldă și detergent lichid. Clătiți-le cu apă proaspătă și ștergeți-le bine.

Capacul și coșul pentru prăjire pot fi spălate și în mașina de spălat vase.

- 2 Curățați carcasa cu o cârpă umedă (cu puțin detergent lichid) și/sau șervețele de bucătărie. Puteți curăța cronometrul cu o cârpă umedă.

Nu scufundați niciodată carcasa friteuzei sau cronometrul în apă.

Asigurați-vă că toate componentele sunt uscate înainte de a umple friteuza cu ulei sau grăsime.

Depozitarea

- 1 Lăsați uleiul sau grăsimea să se răcească timp de minimum 4 ore înainte de a goli sau muta friteuza.
- 2 Montați apoi friteuza la loc și închideți capacul.
- 3 Strângeți cablul în compartimentul de stocare. (fig. 6)
- 4 Ridicați friteuza de mână și depozitați-o în locul dorit (fig. 17).

Protecția mediului

- Nu aruncați aparatul împreună cu gunoiul menajer la sfârșitul duratei de funcționare, ci predați-l la un punct de colectare autorizat pentru reciclare. În acest fel, veți ajuta la protejarea mediului înconjurător (fig. 18).

- Bateriile conțin substanțe care pot polua mediul înconjurător: Nu aruncați bateriile uzate împreună cu gunoiul menajer; ci predați-le la un punct de colectare autorizat pentru reciclare. Scoateți întotdeauna bateriile înainte de a casa aparatul sau înainte de a-l preda la un punct de colectare.

Îndepărtarea bateriei cronometrului

1 Utilizați o șurubelniță mică pentru a îndepărta capacul frontal al cronometrului (fig. 19).

2 Scoateți bateria.

Garanție și service

Dacă aveți nevoie de informații sau întâmpinați probleme, vizitați site-ul Web Philips la adresa www.philips.com sau contactați centrul Philips de asistență pentru clienți din țara dvs. (găsiți numărul de telefon în garanția internațională). Dacă în țara dvs. nu există un astfel de centru, deplasați-vă la furnizorul dvs. Philips local.

Depanare

Acest capitol descrie cele mai frecvente problemele care pot apărea în utilizarea aparatului. Dacă nu reușiți să rezolvați problema folosind informațiile de mai jos, contactați centrul de asistență pentru clienți din țara dvs.

Problemă	Cauză posibilă	Soluție
Alimentele prăjite nu au o culoare aurie și/sau nu sunt crocante.	Temperatura selectată este prea mică și/sau alimentele nu au fost prăjite suficient.	Consultați ambalajul alimentului respectiv sau tabelul de la sfârșitul acestor instrucțiuni de utilizare pentru a verifica dacă timpul și/sau temperatura pe care le-ați selectat sunt corecte. Setați butonul de control al temperaturii la valoarea corectă.
	În coș se află o cantitate prea mare de alimente.	Nu prăjiți niciodată o cantitate de alimente mai mare decât cea menționată în tabelul de la sfârșitul acestei broșuri.
Friteuza nu funcționează.	Siguranța termostatului s-a ars.	Apelați la dealerul dvs. Philips sau la un centru de service autorizat de Philips pentru a înlocui siguranța.
Friteuza răspândește un miros puternic neplăcut.	Filtrul de grăsime permanent este saturat.	Scoateți capacul și curățați capacul și filtrul în apă fierbinte și puțin detergent lichid sau în mașina de spălat vase.
	Uleiul sau grăsimea nu mai este proaspătă.	Schimbați uleiul sau grăsimea. Strecurați regulat uleiul sau grăsimea pentru a o menține proaspătă mai mult timp.
	Uleiul sau grăsimea utilizată nu este potrivită pentru prăjirea alimentelor.	Utilizați ulei sau grăsime pentru prăjit de calitate. Nu amestecați niciodată tipuri diferite de ulei sau grăsime.
Aburul iese și prin alte locuri decât prin filtru.	Capacul nu este închis corect.	Închideți bine capacul.

Problemă	Cauză posibilă	Soluție
	Filtrul de grăsime permanent este saturat.	Scoateți capacul și curățați capacul și filtrul în apă fierbinte și puțin detergent lichid sau în mașina de spălat vase.
Uleiul sau grăsimea se revarsă peste marginea friteuzei în timpul prăjirii.	Friteuza conține prea mult ulei sau grăsime.	Asigurați-vă că uleiul sau grăsimea din friteuză nu depășește nivelul maxim indicat.
	Alimentele sunt prea umede.	Uscați alimentele înainte de a începe să prăjiți și prăjiți alimentele respectând instrucțiunile din acest manual de utilizare.
	În coș se află o cantitate prea mare de alimente.	Nu prăjiți niciodată o cantitate de alimente mai mare decât cea menționată în tabelul de la sfârșitul acestei broșuri.
Uleiul sau grăsimea face spumă în timpul prăjirii.	Alimentele sunt prea umede.	Uscați bine alimentele înainte de a le prăji.
	Uleiul sau grăsimea utilizată nu sunt potrivite pentru prăjirea alimentelor.	Utilizați ulei sau grăsime pentru prăjit de calitate. Nu amestecați niciodată tipuri diferite de ulei sau grăsime.
	Nu ați curățat bine castronul interior.	Curățați castronul interior (vezi capitolul 'Curățare').

Tabelul de alimente (fig. 20)

Введение

Поздравляем с покупкой продукции Philips! Для получения полной поддержки, оказываемой компанией Philips, зарегистрируйте прибор на веб-сайте www.philips.com/welcome.

Общее описание (Рис. 1)

- A Корзина для жарки
- B Крышка
- C Индикаторы минимального и максимального уровня MIN и MAX
- D Отделение для хранения сетевого шнура
- E Сетевой шнур
- F Встроенные ручки
- G Съёмный цифровой таймер
- H Переключатель питания
- I Регулятор нагрева
- J Режим предварительной очистки PreClean
- K Индикатор нагрева
- L Кнопка открывания крышки
- M Внутренняя ёмкость
- N Слив

Важно!

Перед использованием прибора внимательно ознакомьтесь с руководством пользователя и сохраните его для дальнейшего использования в качестве справочного материала.

Опасно!

- Запрещается погружать корпус с панелью управления и нагревательным элементом в воду или промывать под струей воды.

Предупреждение.

- Перед подключением прибора убедитесь, что указанное на нем номинальное напряжение соответствует напряжению местной электросети.
- Запрещено пользоваться устройством, если сетевая вилка, сетевой шнур или само устройство повреждены.
- В случае повреждения сетевого шнура его необходимо заменить. Чтобы обеспечить безопасную эксплуатацию прибора, заменяйте шнур только в авторизованном сервисном центре Philips или в сервисном центре с персоналом аналогичной квалификации.
- Данный прибор не предназначен для использования лицами (включая детей) с ограниченными возможностями сенсорной системы или ограниченными умственными или физическими способностями, а также лицами с недостаточным опытом и знаниями, кроме как под контролем и руководством лиц, ответственных за их безопасность.
- Не позволяйте детям играть с прибором.
- Храните сетевой шнур в месте, недоступном для детей. Не допускайте свисания шнура с края стола или с места, где стоит прибор.
- Подключайте прибор только к заземленной розетке.
- Во время жарки горячий пар выходит через фильтр. Следите за тем, чтобы ваши руки и лицо были на безопасном расстоянии от пара. Следует также остерегаться выхода горячего пара при открывании фритюрницы.
- Данное устройство нельзя подключать к внешнему таймеру или дистанционным системам управления.

Внимание!

- Для проверки или ремонта устройства следует обращаться только в авторизованный сервисный центр Philips. Не пытайтесь производить ремонт устройства самостоятельно, иначе гарантийные обязательства утрачивают силу.
- Поставьте устройство на твердую, ровную, устойчивую поверхность.
- Смотровое стекло во время жарения нагревается: не прикасайтесь к нему.
- Прибор предназначен только для домашнего использования. В случае неверного использования прибора, в профессиональных или полупрофессиональных условиях или при нарушении правил данного руководства гарантийные обязательства утрачивают силу, и компания Philips не несет ответственности за любой причиненный ущерб.
- Обжаривайте продукты до золотисто-желтого цвета, а не темного или коричневого, и удаляйте подгоревшие остатки продуктов! Не обжаривайте содержащие крахмал продукты, особенно картофель и зерновые продукты, при температуре выше 175°C (чтобы минимизировать образование акриламида).
- Не допускайте контакта воды и/или льда с маслом или жиром, поскольку это может привести к сильному разбрызгиванию или сильному кипению масла или жира. Чтобы не допустить этого, удалите весь лед с замороженных продуктов перед обжариванием и тщательно обсушите их. Не переполняйте корзину. После очистки тщательно высушите все части прибора перед добавлением масла или жира во фритюрницу.
- В данном приборе нельзя жарить азиатские рисовые колобки (или аналогичные продукты). Этот может привести к сильному разбрызгиванию или сильному кипению масла или жира.
- Для предотвращения перегрева или переполнения фритюрницы следите, чтобы фритюрница была всегда заполнена до уровня между отметками MIN и MAX на стенках внутренней ёмкости.
- Не включайте прибор до заполнения его маслом или жиром, так как это может привести к поломке прибора.

Электромагнитные поля (ЭМП)

Данный прибор Philips соответствует стандартам по электромагнитным полям (ЭМП). При правильном обращении согласно инструкциям, приведенным в руководстве пользователя, использование прибора безопасно в соответствии с современными научными данными.

Подготовка прибора к работе

- 1** Перед первым использованием фритюрницы тщательно промойте её (см. главу “Очистка”).

Убедитесь, что все части прибора сухие перед тем, как наполнить фритюрницу маслом или жиром.

- 2** Откройте крышку, нажав кнопку открывания крышки (Рис. 2).
- 3** Сверяясь со специальной таблицей, определите, сколько масла/жира необходимо залить во фритюрницу (Рис. 3).
- 4** Залейте во фритюрницу масло, жидкий жир для жарки или растопленный жир до уровня между отметками MIN и MAX и закройте крышку (Рис. 4).

Не включайте фритюрницу, пока она не заполнена маслом или жиром.

Масло и жир

Запрещается смешивать различные виды масла или жира или доливать свежие масло или жир в уже использованные масло или жир.

- Рекомендуется использовать специальные сорта масла или жидкий жир для жарки, предпочтительно — растительное масло или жир с высоким содержанием ненасыщенных

жиров (например, линолевой кислоты), такие как, соевое, арахисовое, кукурузное или подсолнечное масло.

- Так как масло и жир довольно быстро теряют свои полезные свойства, их следует регулярно менять (после 10-12 жарок).
- Необходимо сменить масло или жир, если они пенятся при нагревании, приобрели сильный запах или привкус, либо становятся темными и/или густеют.

Топленый жир

Можно также использовать топленый жир. В этом случае требуется соблюдать дополнительные меры предосторожности, чтобы не допустить разбрызгивания жира, перегрева или выхода из строя нагревательного элемента.

- 1** При необходимости использования новых кубиков жира, растопите их на обычной сковороде на медленном огне.
- 2** Осторожно перелейте растопленный жир во фритюрницу.
- 3** Храните фритюрницу с застывшим жиром при комнатной температуре.
- 4** Если жир застынет очень сильно, то при растапливании возможно разбрызгивание. Чтобы избежать разбрызгивания, разомните жир вилкой (Рис. 5).

Делайте это с осторожностью, чтобы не повредить вилкой внутреннюю ёмкость.

Использование прибора

- 1** Извлеките шнур из отделения для хранения шнура и вставьте вилку сетевого шнура в розетку электросети (Рис. 6).
- 2** Включите фритюрницу (Рис. 7).
 - ▶ Загорится индикатор нагрева (Рис. 8).
- 3** Установите регулятор нагрева в необходимое положение (см. упаковку продуктов, предназначенных для жарки, или специальную таблицу в конце данного руководства).
- 4** Дождитесь выключения индикатора нагрева (это займет от 10 до 15 минут).
- 5** Выдвиньте ручку корзины (Рис. 9).
- 6** Откройте крышку (Рис. 2).
- 7** Выньте корзину из фритюрницы и положите в корзину продукты, предназначенные для обжаривания (Рис. 10).

Не обжаривайте большие объемы продуктов за один раз. Количество обрабатываемых продуктов не должно превышать значения, указанные в таблице в конце руководства (☺ обозначает рекомендованное количество).

- 8** Установите корзину на опору, не опуская ее в масло или жир (Рис. 11).
- 9** Закройте крышку.
- 10** Нажмите кнопку на ручке корзины и приподнимите ручку по направлению от фритюрницы. Корзина автоматически опустится в масло или жир. (Рис. 12)

Во время жарения индикатор нагрева будет периодически загораться, сигнализируя о включении и отключении нагревательного элемента для поддержания нужной температуры.

Таймер

Примечание. Таймер можно использовать и для других целей, например, в качестве обычного кухонного таймера.

Установка таймера

- 1 Нажмите на кнопку таймера, чтобы установить время обжаривания (в минутах). (Рис. 13)
- 2 Через несколько секунд после установки таймера начнется обратный отсчет времени.
- 3 При обратном отсчете времени на дисплее сменяются цифры, указывающие, сколько времени осталось. Отсчет последней минуты ведется в секундах.
- 4 По истечении заданного времени раздастся звуковой сигнал. Через 10 секунд звуковой сигнал раздастся повторно. Можно прервать звуковой сигнал, нажав на кнопку таймера.

Примечание. Для сброса установленных значений таймера нажмите и удерживайте кнопку таймера в течение 2 секунд (во время мигания таймера), до появления значения 00.

После обжаривания

- 1 Выдвиньте ручку корзины (Рис. 9).
 - 2 Откройте крышку (Рис. 2).
- Остерегайтесь горячего пара.
- 3 Выньте корзину из фритюрницы и стряхните остатки масла или жира.
 - 4 Выложите обжаренные продукты в миску или дуршлаг покрытые бумагой, впитывающей жир, например, кулинарной бумагой.
 - 5 Приятного аппетита!
- При необходимости обжаривания дополнительной порции дождитесь выключения индикатора нагрева.
- 6 Нажмите кнопку включения/выключения для выключения фритюрницы.
 - 7 Установите корзину в фритюрницу.
 - 8 Закройте крышку.
 - 9 После завершения работы отключите прибор от розетки электросети.

Примечание. При редком использовании фритюрницы рекомендуется сливать масло или жидкий жир в плотно закрывающуюся ёмкость. Желательно хранить масло или жир в холодильнике или в прохладном месте.

Советы по приготовлению блюд во фритюре

- Время приготовления и температура обжаривания указаны в таблице в конце данного руководства.
- Тщательно стряхните как можно больше льда и воды и как следует обсушите продукты, предназначенные для обжаривания.
- Не обжаривайте большие объемы продуктов за один раз. Количество обрабатываемых продуктов не должно превышать значения, указанные в конце данного руководства (☞ обозначает рекомендованное количество).

Устранение нежелательных запахов

Некоторые виды продуктов, в особенности рыба, могут придавать маслу или жиру неприятный запах. Для его устранения:

- 1 Нагрейте масло или жир до температуры 160°C.
- 2 Положите в масло два тонких ломтика хлеба или несколько веточек петрушки.
- 3 Дождитесь прекращения возникновения пузырьков в масле и выньте хлеб или петрушку лопаточкой.

Теперь масло или жир снова приобрели нейтральный вкус.

Картофель-фри домашнего приготовления

Самый вкусный и самый хрустящий картофель-фри готовится следующим образом:

- 1** Возьмите твердый картофель и нарежьте его соломкой. Промойте нарезанный картофель холодной водой.

Это предотвратит слипание картофеля при обжаривании.

Примечание. Тщательно обсушите нарезанный картофель.

- 2** Для приготовления картофеля-фри обжаривание производится дважды: первый раз в течение 4-6 минут при температуре 160°C, второй раз в течение 5-8 минут при температуре 175°C.

Перед вторым обжариванием картофель следует охладить.

- 3** Выложите картофель-фри домашнего приготовления в миску и встряхните её.

Очистка

Запрещается использовать для чистки прибора губки с абразивным покрытием, абразивные чистящие средства или растворители типа бензина или ацетона.

- 1** Откройте крышку (Рис. 2).
- 2** Перед очисткой или перемещением фритюрницы дождитесь полного остывания масла или жира в течение минимум 4 часов.
- 3** Поднимите крышку и снимите ее (Рис. 14).
- 4** Выньте из фритюрницы корзину (Рис. 10).
- 5** Слейте масло или жир (Рис. 15).

Режим предварительной очистки PreClean

Данный прибор оснащен режимом предварительной очистки PreClean, дающим возможность замочить внутреннюю ёмкость в горячей воде и моющем средстве, чтобы облегчить ее очистку.

Перед включением этого режима убедитесь, что масло или жир удалены из внутренней ёмкости.

- 1** Налейте во внутреннюю ёмкость холодную воду на три четверти ее объема и добавьте небольшое количество жидкого моющего средства. (Рис. 16)
- 2** Вставьте вилку сетевого шнура в розетку электросети.
- 3** Включите прибор (Рис. 7).
- 4** Установите регулятор нагрева в положение PreClean. (Рис. 8)
▶ Вода нагревается до температуры чуть ниже точки кипения.
- 5** Через 30 минут выключите прибор и отключите его от электросети.
- 6** Слейте воду из внутренней ёмкости и очистите прибор, как описано ниже.

Очистка прибора

- 1** Вымойте внутреннюю ёмкость, крышку и корзину в горячей воде с добавлением жидкого моющего средства, сполосните чистой водой и тщательно просушите.

Допускается мыть крышки и корзины в посудомоечной машине.

- 2** Очистите корпус фритюрницы влажной тканью (с небольшим количеством моющей жидкости) и/или кулинарной бумагой.

Таймер можно протереть влажной тканью.

Запрещается погружать корпус или таймер фритюрницы в воду.

Убедитесь, что все части прибора сухие перед тем, как наполнить фритюрницу маслом или жиром.

Хранение

- 1** Перед установкой фритюрницы на хранение дождитесь полного остывания масла или жира в течение минимум 4 часов.
- 2** Снова полностью соберите фритюрницу и закройте крышку.
- 3** Поместите шнур в отделение для хранения шнура. (Рис. 6)
- 4** Возьмите фритюрницу за ручки, приподнимите её и установите в место хранения (Рис. 17).

Защита окружающей среды

- После окончания срока службы не выбрасывайте прибор вместе с бытовыми отходами. Передайте его в специализированный пункт для дальнейшей утилизации. Этим вы поможете защитить окружающую среду (Рис. 18).
- Аккумуляторы содержат вещества, представляющие потенциальную опасность для окружающей среды. Не выбрасывайте аккумуляторы вместе с бытовыми отходами. Утилизируйте их в специальном пункте. Обязательно извлекайте и передавайте на утилизацию аккумулятор после окончания срока службы таймера.

Извлечение аккумулятора таймера

- 1** Снимите переднюю панель таймера с помощью небольшой отвертки с плоским шлицом (Рис. 19).
- 2** Извлеките аккумулятор.

Гарантия и обслуживание

Для получения дополнительной информации и при необходимости сервисного обслуживания, а также в случае возникновения проблем посетите веб-сайт Philips www.philips.com или обратитесь в центр поддержки потребителей Philips в вашей стране (номер телефона центра указан на гарантийном талоне). Если подобный центр в вашей стране отсутствует, обратитесь в местную торговую организацию Philips.

Поиск и устранение неисправностей

Данная глава посвящена наиболее распространенным проблемам, возникающим при использовании прибора. Если самостоятельно справиться с возникшими проблемами не удастся, обратитесь в центр поддержки потребителей в вашей стране.

Проблема	Возможная причина	Способы решения
После обжаривания продукты не приобретают золотисто-коричневого цвета и/или хрустящей корочки.	Установлена недостаточно высокая температура, и/или продукты обжаривались недостаточно долго.	Температура и/или продолжительность приготовления указаны на упаковке продуктов или в специальной таблице, приведенной в конце данного руководства. Установите регулятор нагрева в правильное положение.
	Корзина перегружена продуктами.	Не следует за один раз обжаривать больше продуктов, чем указано в специальной таблице в конце данного руководства.
Фритюрница не работает.	Сработал плавкий предохранитель.	Для замены предохранителя обратитесь в торговую организацию или авторизованный сервисный центр Philips.
Фритюрница издает сильный, неприятный запах.	Фильтр-жироуловитель заполнен.	Снимите крышку. Вымойте крышку и фильтр горячей водой с добавлением жидкого моющего средства или в посудомоечной машине .
	Масло или жир несвежие.	Замените жир или масло. Чтобы жир и масло дольше оставалось свежим, регулярно пропускайте их через сетчатый фильтр.
	Масло или жир данного вида непригодны для обжаривания пищи во фритюре.	Пользуйтесь высококачественным маслом или жиром. Не смешивайте различные виды масла или жира.
Пар выходит не только через фильтр.	Крышка закрыта неправильно.	Правильно установите крышку на прибор.
	Фильтр-жироуловитель заполнен.	Снимите крышку. Вымойте крышку и фильтр горячей водой с добавлением жидкого моющего средства или в посудомоечной машине .
Во время обжаривания масло или жир выплескиваются из фритюрницы.	Во фритюрнице слишком много жира или масла.	Убедитесь, что заполнение маслом или жиром не превышает отметки уровня MAX.
	В продуктах содержится слишком много влаги.	Тщательно обсушите продукты перед обжариванием и обжаривайте их в соответствии с данным руководством пользователя.
	Корзина перегружена продуктами.	Не следует за один раз обжаривать больше продуктов, чем указано в специальной таблице в конце данного руководства.

Проблема	Возможная причина	Способы решения
Во время обжаривания масло или жир сильно вспениваются.	В продуктах содержится слишком много влаги.	Тщательно обсушите продукты перед обжариванием.
	Масло или жир данного вида непригодны для обжаривания пищи во фритюре.	Пользуйтесь высококачественным маслом или жиром. Не смешивайте различные виды масла или жира.
	Внутренняя ёмкость не была тщательно очищена.	Очистите внутреннюю ёмкость (см. раздел Очистка).

Таблица продуктов (Рис. 20)

Úvod

Gratulujeme Vám ku kúpe a vitajte medzi zákazníkmi spoločnosti Philips! Ak chcete využiť všetky výhody zákazníckej podpory spoločnosti Philips, zaregistrujte svoj výrobok na adrese www.philips.com/welcome.

Opis zariadenia (Obr. 1)

- A Fritovací košík
- B Veko
- C Značky „MIN“ a „MAX“
- D Priečinok na odkladanie kábla
- E Kábel
- F Integrované rúčky
- G Oddeliteľné digitálne stopky
- H Vypínač
- I Ovládanie teploty
- J Funkcia PreClean
- K Kontrolné svetlo nastavenia teploty
- L Tlačidlo na uvoľnenie veka
- M Vnútoraná nádoba
- N Pomôcka na vylievanie

Dôležité

Pred použitím zariadenia si pozorne prečítajte tento návod na použitie a uschovajte si ho na použitie v budúcnosti.

Nebezpečenstvo

- Puzdro, ktoré obsahuje elektrické súčiastky a ohrevné teleso, nikdy neponárajte do vody, ani ho neoplachujte pod tečúcou vodou.

Varovanie

- Pred pripojením zariadenia skontrolujte, či sa napätie uvedené na zariadení zhoduje s napätím v sieti.
- Ak je poškodená zástrčka, sieťový kábel alebo samotné zariadenie, nepoužívajte ho.
- Poškodený sieťový kábel smie vymeniť jedine personál spoločnosti Philips, servisné stredisko autorizované spoločnosťou Philips alebo osoba s podobnou kvalifikáciou, aby nedošlo k nebezpečnej situácii.
- Spotrebič nie je určený na používanie osobami (vrátane detí) so zníženými fyzickými, zmyslovými alebo mentálnymi schopnosťami alebo s nedostatkom skúseností a vedomostí, pokiaľ im osoba zodpovedná za ich bezpečnosť neposkytne dohľad alebo ich nepoučila o používaní spotrebiča.
- Deti musia byť pod dozorom, aby sa nehrali so zariadením.
- Sieťový kábel musí byť mimo dosahu detí. Nenechajte ho prevísať cez okraj stola alebo kuchynskej linky, na ktorej je zariadenie položené.
- Zariadenie pripojte jedine do uzemnenej zásuvky.
- Počas fritovania cez filter unikajú horúce pary. Nepribližujte ku filtru tvár ani ruky. Dávajte tiež pozor na horúcu paru, ktorá sa uvoľní pri otvorení veka fritézy.
- Toto zariadenie nie je určené na ovládanie prostredníctvom externého časovača ani samostatného systému diaľkového ovládania.

Výstraha

- Kontrolu alebo opravu zariadenia smie vykonať jedine personál servisného centra autorizovaného spoločnosťou Philips. Nepokúšajte sa zariadenie opraviť svojpomocne, pretože by záruka stratila platnosť.
- Zariadenie položte na vodorovný, plochý a stabilný povrch.

- Nedotýkajte sa priezoru, pretože sa počas fritovania zahreje.
- Toto zariadenie je určené len na použitie v domácnosti. V prípade, že zariadenie použijete nevhodným spôsobom, na profesionálne alebo na poloprofesionálne účely alebo ak ho používate v rozpore s pokynmi v tomto návode, záruka stratí platnosť a spoločnosť Philips nenesie žiadnu zodpovednosť za spôsobené škody.
- Správne usmažené potraviny sú zlatožlté, nie tmavožlté ani hnedé. Po smažení odstráňte pripálené zvyšky! Potraviny, ktoré obsahujú škrob, najmä výrobky zo zemiakov a obilnín, nesmažte pri teplote vyššej ako 175°C (aby ste predišli vzniku akrylamidu).
- Zabráňte, aby sa voda a/alebo ľad dostali do kontaktu s olejom alebo tukom, pretože by to spôsobilo silné kypenie, prípadne vykypenie oleja alebo tuku. Aby ste to dosiahli, odstráňte všetok prebytočný ľad zo zamrznutých prísad skôr, ako ich budete fritovať. Prísady pred fritovaním tiež poriadne osušte. Košík nepreplňajte. Po čistení poriadne všetky časti osušte skôr, ako do fritézy dáte olej alebo tuk.
- V tomto zariadení nesmažte ázijské ryžové koláčiky (ani podobný typ potravín). Mohlo by dôjsť k vykypeniu oleja/tuku.
- Uistite sa, že hladina oleja/tuku vo fritéze sa vždy nachádza medzi dvomi značkami „MIN“ a „MAX“ na vnútornej strane vnútornej nádoby, aby sa zabránilo pretečeniu alebo prehriatiu zariadenia.
- Zariadenie nezapínajte skôr, ako ho naplníte olejom/tukom, pretože by sa mohlo poškodiť.

Elektromagnetické polia (EMF)

Toto zariadenie značky Philips vyhovuje všetkým normám týkajúcim sa elektromagnetických polí (EMF). Ak budete zariadenie používať správne a v súlade s pokynmi v tomto návode na použitie, bude jeho použitie bezpečné podľa všetkých v súčasnosti známych vedeckých poznatkov.

Príprava na použitie

- 1** Pred prvým použitím zariadenie očistite (pozrite si kapitolu „Čistenie“).

Pred naplnením fritézy olejom alebo tukom sa uistite, že všetky súčiastky sú suché.

- 2** Stlačením tlačidla na uvoľnenie veka ho otvorte (Obr. 2).
- 3** Pozrite si tabuľku, aby ste určili, koľko oleja/tuku je potrebné dať do fritézy (Obr. 3).
- 4** Fritézu naplňte olejom, tekutým tukom na smaženie alebo roztopeným stuženým tukom na úroveň medzi značkami „MIN“ a „MAX“ a zatvorte veko (Obr. 4).

Zariadenie zapnite až potom, ako ho naplníte olejom alebo tukom.

Olej a tuk

Nikdy nemiešajte rôzne typy oleja alebo tuku a nikdy nepridávajte čerstvý olej alebo tuk do používaného oleja alebo tuku.

- Odporúčame Vám, aby ste používali olej na smaženie alebo tekutý tuk na smaženie. Odporúčame používať rastlinný olej alebo masť, ktorá je bohatá na nenasýtené mastné kyseliny (napr. kyselina linolová), ako napríklad sójový, arašidový, kukuričný alebo sľečnicový olej.
- Pretože olej a tuk rýchlo strácajú svoje kladné vlastnosti, je potrebné, aby ste ich pravidelne vymieňali (po 10-12 použitiach).
- Olej/tuk vymeňte hneď, ako pri zohriatí začne peniť, ak zapácha, ak nadobudne výraznú pachuť, alebo ak stmavne a/alebo zhustne.

Stužený tuk

Môžete používať aj stužený tuk na smaženie, ale v tomto prípade musíte fritovaniu venovať zvláštnu pozornosť, aby tuk nevykypel a aby sa neprehrialo alebo nepoškodilo ohrevné teleso.

- 1** Ak chcete použiť nové kocky tuku, roztopte ich na slabom plameni na obyčajnej panvici.

- 2 Pozorne nalejte roztopený tuk do fritézy.
- 3 Fritézu odkladajte pri izbovej teplote spolu so stuhnutým tukom v nádobe.
- 4 Ak je teplota tuku veľmi nízka, pri opätovnom roztopení môže začať kypieť. Aby ste tomu predišli, spravte vidličkou v stuhnutom tuku niekoľko otvorov (Obr. 5).

Dajte pozor, aby ste vidličkou nepoškodili vnútornú nádobu.

Použitie zariadenia

- 1 Z priestoru na odkladanie vyberte celý kábel a pripojte ho do siete (Obr. 6).
- 2 Zapnite fritézu (Obr. 7).
 - ▷ Rozsvieti sa kontrolné svetlo nastavenia teploty (Obr. 8).
- 3 Ovládanie teploty nastavte na požadovanú teplotu (pozrite si balenie od potravín, ktoré budete smažiť, alebo tabuľku potravín na konci tohto návodu na použitie).
- 4 Počkajte, kým nezhasne zelené kontrolné svetlo nastavenia teploty (bude to trvať 10 až 15 minút).
- 5 Rozložte rukoväť fritovacieho košíka (Obr. 9).
- 6 Otvorte veko (Obr. 2).
- 7 Vyberte košík z fritézy a naplňte ho potravinami, ktoré budete smažiť (Obr. 10).

Nesmažte naraz väčšie množstvá potravín. Neprekračujte množstvá uvedené v tabuľke potravín na konci tejto brožúrky (☞ označuje odporúčané množstvo).

- 8 Položte košík na nosič, ale nespúšťajte ho ešte do oleja alebo tuku (Obr. 11).
- 9 Zatvorte veko.
- 10 Stlačte tlačidlo na rúčke košíka a rúčku sklopte oproti fritéze. Košík sa automaticky ponorí do oleja alebo tuku. (Obr. 12)

Počas fritovania sa občas rozsvieti a zhasne kontrolné svetlo nastavenia teploty, keď sa zapne a vypne ohrevné teleso, aby sa udržala správna teplota.

Stopky

Poznámka: Stopky môžete používať tiež na iné účely, napr. ako bežné stopky na varenie.

Nastavenie stopiek

- 1 Tlačidlom stopiek nastavte trvanie fritovania v minútach. (Obr. 13)
 - ▷ Niekoľko sekúnd po nastavení času smaženia sa spustí odpočítavanie času.
 - ▷ Kým stopky odpočítavajú čas prípravy, na displeji bliká zostávajúci čas. Posledná minúta prípravy sa zobrazí v sekundách.
 - ▷ Po uplynutí nastaveného času budete počuť zvukový signál. Po 10 sekundách sa zvukový signál zopakuje. Zvukový signál zastavíte stlačením tlačidla stopiek.

Poznámka: Nastavenie stopiek môžete vymazať stlačením tlačidla stopiek na 2 sekundy (kým nastavený čas bliká), aby sa zobrazilo „00“.

Po fritovaní

- 1 Rozložte rukoväť košíka (Obr. 9).
- 2 Otvorte veko (Obr. 2).

Dajte pozor na horúcu paru.

- 3** Z nádoby vyberte košík a otraste z neho prebytočný olej/tuk.
- 4** Usmažené jedlo vložte do misy alebo cedidla obložených papierom pohlcujúcim masť, napr. kuchynský papier.
- 5** Vychutnajte si smažené potraviny.
Ak chcete smažiť druhú dávku, počkajte, kým sa nevypnie kontrolné svetlo nastavenia teploty.
- 6** Vypínačom vypnite fritézu.
- 7** Košík vložte do fritézy.
- 8** Zatvorte veko.
- 9** Po použití odpojte zariadenie zo siete.

Poznámka: Ak fritézu pravidelne nepoužívate, odporúčame Vám, aby ste olej alebo tekutý tuk vyliali a uskladnili ho v chladničke alebo na chladnom mieste v dobre uzatvorených nádobách.

Tipy na fritovanie

- Prehľad časov prípravy a nastavenia teplôt pri smažení nájdete v tabuľke potravín na konci tohto návodu na použitie.
- Z mrazených potravín, ktoré budete fritovať, vytraste čo najviac ľadu a vody a riadne ich osušte.
- Nesmažte naraz väčšie množstvá potravín. Neprekračujte množstvá uvedené na konci tejto brožúrky (☞ označuje odporúčané množstvo).

Odstránenie neželanej príchute

Niektoré typy potravín, predovšetkým ryby, dodávajú oleju/tuku nepríjemnú príchuť. Aby ste odstránili príchuť oleja/tuku:

- 1** Olej/tuk zohrejte na teplotu 160°C.
- 2** Do oleja vhodte dva tenké krajce chleba alebo niekoľko byliek petržlenu.
- 3** Počkajte, kým sa objaví viac bublínok a potom vareškou chlieb alebo petržlen z fritézy vyberte.

Olej alebo tuk bude mať opäť neutrálnu chuť.

Domáce smažené hranolčeky

Tie najchutnejšie a najchrumkavejšie smažené hranolčeky pripravíte podľa nasledujúceho postupu:

- 1** Použite tvrdé zemiaky a pokrájajte ich na hranolčeky. Opláchnite ich studenou vodou. Tak zabránite, aby sa počas smaženia zlepili.

Poznámka: Hranolčeky riadne osušte.

- 2** Hranolčeky smažte dvakrát: najskôr 4-6 minút pri teplote 160°C a potom 5-8 minút pri teplote 175°C.

Pred druhým smažením nechajte hranolčeky vychladnúť.

- 3** Domáce hranolčeky vložte do misy a zatraste nimi.

Čistenie

Na čistenie zariadenia nikdy nepoužívajte drsný materiál, drsné čistiace prostriedky ani agresívne kvapaliny ako benzín alebo acetón.

- 1** Otvorte veko (Obr. 2).
- 2** Pred čistením alebo premiestňovaním fritézy nechajte olej/tuk aspoň na 4 hodiny ochladieť.

3 Kryt potiahnite nahor, aby ste ho otvorili (Obr. 14).

4 Fritovací košík nadvihnite z fritézy (Obr. 10).

5 Vylejte olej alebo tuk (Obr. 15).

Funkcia PreClean

Toto zariadenie má zabudovanú funkciu PreClean, ktorá umožňuje opláchnuť vnútornú nádobu horúcou vodou a saponátom pre ľahšie čistenie.

Pred použitím tejto funkcie sa uistite, že ste z vnútornej nádoby odstránili olej alebo tuk.

1 Vnútornú nádobu naplňte do troch štvrtín studenou vodou a pridajte malé množstvo čistiaceho prostriedku. (Obr. 16)

2 Zástrčku zapojte do siet'ovej zásuvky.

3 Zapnite zariadenie (Obr. 7).

4 Ovládanie teploty nastavte na funkciu PreClean. (Obr. 8)

▶ Voda sa zohreje na teplotu rovno pod úroveň zovretia.

5 Zariadenie po 30 minútach vypnite a odpojte ho zo siete.

6 Vylejte vodu z vnútornej nádoby a vyčistite ju nižšie popísaným spôsobom.

Čistenie zariadenia

1 Nádobu, veko a fritovací košík očistite v horúcej vode s prídavkom čistiaceho prostriedku.

Opláchnite ich čistou vodou a riadne ich dosucha poutierajte.

Veko a fritovací košík môžete čistiť tiež v umývačke riadu.

2 Telo fritézy očistite vlhkou tkaninou (s malým množstvom saponátu) a/alebo kuchynským papierom.

Stopky môžete očistiť navlhčenou tkaninou.

Puzdro fritézy alebo stopky nikdy neponárajte do vody.

Pred naplnením fritézy olejom alebo tukom sa uistite, že všetky súčiastky sú suché.

Odkladanie

1 Pred odložením fritézy nechajte olej/tuk aspoň na 4 hodiny vychladnúť.

2 Všetky súčiastky vložte späť do/na fritézu a zatvorte veko.

3 Kábel zatlačte do priečinku na odkladanie kábla. (Obr. 6)

4 Fritézu nadvihnite za rukoväta a odložte ju (Obr. 17).

Životné prostredie

- Zariadenie na konci jeho životnosti neodhadzujte spolu s bežným komunálnym odpadom, ale kvôli recyklácii ho odovzdajte na mieste oficiálneho zberu. Pomôžete tak chrániť životné prostredie (Obr. 18).
- Batérie obsahujú látky, ktoré môžu znečistiť životné prostredie. Nezhadzujte ich spolu s bežným komunálnym odpadom, ale ich zaneste na miesto oficiálneho zberu. Pred likvidáciou vždy vyberte batériu stopiek a stopky zaneste na miesto oficiálneho zberu.

Vyberanie batérie stopiek

1 Na vybratie prednej strany stopiek použite malý plochý skrutkovač (Obr. 19).

2 Vyberte batériu.

Záruka a servis

Ak potrebujete servis, informácie alebo máte problém, navštívte webovú stránku spoločnosti Philips, www.philips.com, alebo sa obráťte na Stredisko starostlivosti o zákazníkov spoločnosti Philips vo Vašej krajine (telefónne číslo strediska nájdete v priloženom celosvetovo platnom záručnom liste). Ak sa vo Vašej krajine toto stredisko nenachádza, obráťte sa na miestneho predajcu výrobkov Philips.

Riešenie problémov

Táto kapitola obsahuje zhrnutie najbežnejších problémov, ktoré sa môžu vyskytnúť pri používaní zariadenia. Ak neviete problém vyriešiť pomocou nižšie uvedených informácií, obráťte sa na Stredisko starostlivosti o zákazníkov vo Vašej krajine.

Problém	Možná príčina	Riešenie
Smažené jedlo nemá zlatohnedé sfarbenie a/alebo nie je chrumkavé.	Zvolená teplota je príliš nízka a/alebo jedlo nebolo smažené dostatočne dlho.	Na obale smažených potravín alebo v tabuľke na konci tohto návodu na použitie skontrolujte, či je nastavená teplota/čas prípravy správny. Ovládanie teploty nastavte na správnu teplotu.
	V košíku je príliš veľa potravín.	Nikdy nesmažte väčšiu dávku potravín ako je množstvo, ktoré je uvedené v tabuľke na konci tohto návodu na použitie.
Fritéza nepracuje.	Aktivovala sa bezpečnostná tepelná poistka.	Pri výmene poistky Vám pomôže predajca výrobkov Philips alebo servisné stredisko autorizované spoločnosťou Philips.
Fritéza silno a nepríjemne zapácha.	Permanentný filter na zachytávanie oleja je nasýtený olejom.	Odmontujte veko a spolu s filtrom ho očistite v horúcej vode s prídavkom čistiaceho prostriedku alebo v umývačke na riad.
	Olej/tuk už nie je čerstvý.	Vymeňte olej/tuk. Olej/tuk pravidelne filtrujte, aby vám dlhšie vydržal čerstvý.
	Použitý typ oleja/tuku nie je vhodný na fritovanie pri vyššej teplote.	Použite kvalitný olej/tuk na smaženie. Nikdy nepoužívajte zmes rôznych druhov oleja/tuku.
Vodná para uniká z fritézy na inom mieste ako cez filter.	Neuzatvorili ste riadne veko.	Veko poriadne zatvorte.
	Permanentný filter na zachytávanie oleja je nasýtený olejom.	Odmontujte veko a spolu s filtrom ho očistite v horúcej vode s prídavkom čistiaceho prostriedku alebo v umývačke na riad.
Počas smaženia olej/tuk kypí cez okraje fritézy.	Vo fritéze je príliš veľa oleja/tuku.	Uistite sa, že hladina oleja/tuku vo fritéze nepresahuje značku „MAX“.
	Potraviny obsahujú priveľa vlhkosti.	Pred fritovaním potraviny dôkladne osušte. Potom ich smažte podľa pokynov uvedených v tomto návode.

Problém	Možná příčina	Riešenie
	Vo fritovacom košíku je priveľa potravín.	Nikdy nesmažte väčšiu dávku potravín ako je množstvo, ktoré je uvedené v tabuľke na konci tohto návodu na použitie.
Olej/tuk počas smaženia veľmi pení.	Potraviny obsahujú priveľa vlhkosti.	Pred fritovaním potraviny poriadne osušte.
	Použitý typ oleja/tuku nie je vhodný na fritovanie pri vyššej teplote.	Použite kvalitný olej/tuk na smaženie. Nikdy nepoužívajte zmes rôznych druhov oleja/tuku.
	Nevyčistili ste riadne vnútornú nádobu.	Očistite vnútornú nádobu (pozrite si kapitolu „Čistenie“).

Tabuľka jedál (Obr. 20)

Uvod

Čestitamo vam za nakup in dobrodošli pri Philipsu! Če želite popolnoma izkoristiti podporo, ki jo nudi Philips, registrirajte izdelek na www.philips.com/welcome.

Splošni opis (Sl. 1)

- A Košara za cvrtje
- B Pokrov
- C Oznaki "MIN" in "MAX"
- D Prostor za shranjevanje kabla
- E Kabel
- F Integrirana ročaja
- G Ločen digitalni časovnik
- H Stikalo za vklop/izklop
- I Temperaturni regulator
- J Funkcija PreClean
- K Indikator temperature
- L Gumb za sprostitvev pokrova
- M Notranja posoda
- N Del za izlivanje

Pomembno

Pred uporabo aparata natančno preberite ta uporabniški priročnik in ga shranite za poznejšo uporabo.

Nevarnost

- Ohišja, ki vsebuje električne komponente in grelni element, ne potaplajte v vodo in ga tudi ne spirajte pod vodo.

Opozorilo

- Preden priključite aparat na električno omrežje, preverite, ali napetost, navedena na aparatu, ustreza napetosti lokalnega električnega omrežja.
- Aparata ne uporabljajte, če je poškodovan vtičač, omrežni kabel ali sam aparat.
- Poškodovani omrežni kabel sme zamenjati le podjetje Philips, Philipsov pooblaščen servis ali ustrezno usposobljeno oseboje.
- Aparat ni namenjen uporabi s strani otrok in oseb z zmanjšanimi telesnimi, čutnimi ali duševnimi sposobnostmi ali oseb s pomanjkljivimi izkušnjami in znanjem, razen če jih pri uporabi nadzoruje ali jim svetuje oseba, ki je odgovorna za njihovo varnost.
- Pazite, da se otroci ne igrajo z aparatom.
- Omrežni kabel naj bo izven dosega otrok. Ne sme viseti preko roba mize ali pulta, na katerega je postavljen aparat.
- Aparat priključite le na ozemljeno vtičnico.
- Med cvrtjem se skozi filter sprošča vroča para. Pazite, da se ji z obrazom ali z rokami ne boste preveč približali. Na paro pazite tudi pri odpiranju pokrova cvrtnika.
- Tega aparata ni mogoče upravljati z zunanjim časovnikom ali ločenim sistemom za daljinsko upravljanje.

Previdno

- Za pregled ali popravilo aparata se obrnite na Philipsov pooblaščen servis. Aparata ne poskušajte popravljati sami, saj boste s tem razveljavili garancijo.
- Aparat postavite na vodoravno, ravno in stabilno podlago.
- Ne dotikajte se okenca, saj se med cvrtjem močno segreje.
- Aparat je namenjen izključno uporabi v gospodinjstvu. Če se aparat uporablja nepravilno ali v profesionalne oziroma polprofesionalne namene oziroma na način, ki ni v skladu z navodili za

uporabo, postane garancija neveljavna, Philips pa ne prevzema nikakršne odgovornosti za morebitno povzročeno škodo.

- Ocvrta hrana naj ne bo temna ali rjava, temveč zlatorumena! Prežgane ostanke redno odstranjujte! Hrane s škrobom, zlasti krompirja in žitnih proizvodov, ne cvrite na temperaturi nad 175 °C (da zmanjšate proizvodnjo akrilamidov).
- Poskrbite, da olje ali maščoba ne pride v stik z vodo in/ali ledom, saj lahko v tem primeru pride do močnega cvrčanja ali škropljenja olja oziroma maščobe. V ta namen pred cvrtjem odstranite ves led s sestavin in temeljito posušite sestavine. Ne prenapolnite košare. Po čiščenju temeljito posušite vse dele, preden napolnite cvrtnik z oljem ali maščobo.
- V tem aparatu ne cvrite riževih kolačev (ali podobne hrane). To lahko povzroči močno cvrčanje olja ali maščobe.
- Nivo olja ali maščobe v cvrtniku naj bo vedno med oznakama 'MIN' in 'MAX' na notranji strani notranje posode, da le-to ne bo steklo čez rob ali se pregrelo.
- Aparat vklopite šele, ko ste ga napolnili z oljem ali maščobo, sicer ga lahko poškodujete.

Elektromagnetna polja (EMF)

Ta Philipsov aparat ustreza vsem standardom glede elektromagnetnih polj (EMF). Če z aparatom ravnate pravilno in v skladu z navodili v tem priročniku, je njegova uporaba glede na danes veljavne znanstvene dokaze varna.

Priprava za uporabo

1 Aparat pred prvo uporabo očistite (oglejte si poglavje "Čiščenje").

Poskrbite, da so vsi deli suhi, preden napolnite cvrtnik z oljem ali maščobo.

2 Pritisnite gumb za sprostitvev pokrova in odprite pokrov (Sl. 2).

3 Da bi ugotovili, kolikšno količino olja ali maščobe je treba vlti v cvrtnik, si oglejte preglednico za olje/maščobo (Sl. 3).

4 Cvrtnik napolnite z oljem, tekočo maščobo za cvrtje ali stopljeno mastjo do nivoja med oznakama "MIN" in "MAX" in zaprite pokrov (Sl. 4).

Aparat vklopite šele, ko ste ga napolnili z oljem oziroma maščobo.

Olje in maščoba

Ne mešajte različnih vrst olja ali maščobe in k rabljenemu olju ali maščobi ne dodajajte novega.

- Priporočamo uporabo olja za cvrtje ali tekoče maščobe za cvrtje, po možnosti rastlinskega olja ali maščobe, ki sta bogata z nenasičenimi maščobami (na primer linolensko maščobno kislino), kot so sojino, kikirikijevo, koruzno ali sončnično olje.
- Ker olje ali maščoba hitro izgubita svoje dobre lastnosti, ju morate redno menjati (po 10–12 uporabah).
- Olje ali maščobo morate zamenjati, če se pri segrevanju začeta peniti, če imata močan duh ali okus, če potemnita ali se zgostita.

Trdna maščoba

Možna je tudi uporaba trdne maščobe za cvrtje, vendar morate biti v tem primeru še posebej previdni, da preprečite škropljenje maščobe in pregretje ali poškodovanje grelnega elementa.

1 Če želite uporabiti nove kose maščobe, jih počasi v običajni ponvi stopite pri nizki temperaturi.

2 Stopljeno maščobo previdno vlijte v cvrtnik.

3 Cvrtnik s strnjeno maščobo hranite pri sobni temperaturi.

- 4 Če se maščoba zelo ohladi, lahko začne pri ponovnem topljenju škropiti. Da to preprečite, jo z vilicami nekajkrat preluknjajte (Sl. 5).

Pazite, da z vilico ne poškodujete notranje posode.

Uporaba aparata

- 1 Vzemite kabel iz prostora za shranjevanje in vstavite vtič v omrežno vtičnico (Sl. 6).
- 2 Vključite cvrtnik (Sl. 7).
 - ▶ Indikator temperature zasveti (Sl. 8).
- 3 Temperaturni regulator nastavite na zahtevano temperaturo (oglejte si paket s hrano za cvrtje ali preglednico s hrano na koncu te knjižice).
- 4 Počakajte, da se indikator temperature izklopi (to traja 10 do 15 minut).
- 5 Raztegnite ročaj košare za cvrtje (Sl. 9).
- 6 Odprite pokrov (Sl. 2).
- 7 Odstranite košaro iz cvrtnika in vanjo vstavite živila, ki jih nameravate cvreti (Sl. 10).

Ne cvrite prevelikih količin naenkrat. Ne presežite količin, navedenih v preglednici s hrano na koncu te knjižice (priporočena količina je označena z ☉).

- 8 Košaro položite na nosilec, vendar je še ne spustite v olje ali maščobo (Sl. 11).
- 9 Zaprite pokrov.
- 10 Pritisnite gumb na ročaju košare in ročaj prislonite ob cvrtnik. Košara se samodejno spusti v olje oziroma mast. (Sl. 12)

Med cvrtjem se lučka temperaturnega regulatorja vklaplja in izklaplja, kar pomeni, da grelni element z izmeničnim vklapljanjem in izklapljanjem vzdržuje ustrezno temperaturo.

Časovnik

Opomba: Časovnik lahko uporabljate tudi v druge namene, npr. kot običajno uro za kuhanje.

Nastavitev časovnika

- 1 S pritiskom gumba časovnika nastavite čas cvrtja v minutah. (Sl. 13)
 - ▶ Nekaj sekund po nastavitvi časa cvrtja začne časovnik odšteti čas.
 - ▶ Med odštevanjem preostali čas cvrtja utripa na zaslonu. Zadnja minuta je prikazana v sekundah.
 - ▶ Po poteku nastavljenega časa zaslišite zvočni signal. Po desetih sekundah se signal ponovi. Zvočni signal lahko prekinete s pritiskom na gumb časovnika.

Opomba: Nastavitve časovnika lahko izbrišete tako, da dve sekundi držite gumb na časovniku (časovnik začne utripati), dokler se ne prikaže '00'.

Po cvrtju

- 1 Raztegnite ročaj košare (Sl. 9).
- 2 Odprite pokrov (Sl. 2).

Pazite se vroče pare.

- 3 Košaro odstranite iz cvrtnika ter izlijte maščobo ali olje.
- 4 Ocvrto hrano položite v posodo ali na cedilo, obloženo s papirjem za vpijanje maščobe, kot je na primer papirnata brisača.

5 Uživate v ocvrti hrani.

Pred ponovnim cvrtjem počakajte, da neha svetiti indikator temperature.

6 Za izklop cvrtnika pritisnite stikalo za vklop/izklop.**7** Košaro položite v cvrtnik.**8** Zaprite pokrov.**9** Po uporabi aparat izključite iz električnega omrežja.

Opomba: Če cvrtnika ne uporabljate redno, svetujemo shranjevanje olja oziroma tekoče maščobe v dobro zaprtih posodah, po možnosti v hladilniku ali na hladnem mestu.

Nasveti za cvrtje

- Pregled časa priprav in temperatur cvrtja najdete v preglednici s hrano na koncu te knjižice.
- S hrane previdno otresite čim več ledu in vode in jo narahlo obrišite, dokler ni primerno suha.
- Ne cvrite prevelikih količin hkrati. Ne presežite količin, navedenih na koncu te knjižice (priporočena količina je označena z ☞).

Kako se znebiti neprijetnih okusov

Določena vrsta hrane, zlasti ribe, lahko dajo olju ali maščobi neprijeten okus. Da ta okus odpravite:

1 Olje ali maščobo segrejte na temperaturo 160 °C.**2** Položite v olje dve tanki rezini kruha ali nekaj vejic peteršilja.**3** Počakajte, da izginejo vsi mehurčki in s kuhalnico odstranite kruh ali peteršilj iz cvrtnika.

Olju ali maščobi se bo povrnil osnovni okus.

Doma pripravljen ocvrt krompirček

Najokusnejši in najbolj hrustljav ocvrt krompirček pripravite na naslednji način:

1 Uporabite čvrst krompir in ga narežite na paličice. Sperite jih s hladno vodo.

S tem preprečite, da bi se med cvrtjem sprijele.

Opomba: Paličke temeljito osušite.

2 Krompirček ocvrite dvakrat: prvič za 4-6 minut pri temperaturi 160 °C, drugič pa za 5-8 minut pri temperaturi 175 °C.

Pred ponovnim cvrtjem počakajte, da se krompirček ohladi.

3 Doma pripravljeni ocvrt krompirček položite v posodo in premešajte.**Čiščenje**

Aparata ne čistite s čistilnimi gobicami, jedkimi čistili ali agresivnimi tekočinami, kot sta bencin ali aceton.

1 Odprite pokrov (Sl. 2).**2** Pred čiščenjem ali premikanjem cvrtnika počakajte vsaj štiri ure, da se olje ali maščoba ohladi.**3** Povlecite pokrov navzgor in ga odstranite (Sl. 14).**4** Dvignite košaro za cvrtje iz aparata (Sl. 10).**5** Izlijte olje ali mast (Sl. 15).

Funkcija PreClean

Ta aparat je opremljen s funkcijo PreClean, ki omogoča prepojitve notranje posode z vročo vodo in tekočim čistilom, kar zagotavlja preprostejše čiščenje.

Pred uporabo te funkcije poskrbite, da v notranji posodi ni olja oziroma maščobe.

- 1** Notranjo posodo napolnite s hladno vodo do treh četrtin kapacitete in dodajte nekaj tekočega čistila. (Sl. 16)
- 2** Vtikač vtaknite v omrežno vtičnico.
- 3** Vključite aparat (Sl. 7).
- 4** Temperaturni regulator nastavite na funkcijo PreClean. (Sl. 8)
 - ▶ Voda se segreje na temperaturo malo pod vreliščem.
- 5** Po 30 minutah izklopite aparat in ga izključite iz električnega omrežja.
- 6** Izlijte vodo iz notranje posode in očistite posodo, kot je opisano spodaj.

Čiščenje aparata

- 1** Posodo, pokrov in košaro za cvrtje očistite z vročo vodo in nekaj tekočega čistila. Sperite jih s čisto vodo in temeljito posušite.

Pokrov in košaro za cvrtje lahko perete v pomivalnem stroju.

- 2** Ohišje cvrtnika očistite z vlažno krpo (z nekaj tekočega čistila) in/ali kuhinjsko krpo. Časovnik lahko očistite z vlažno krpo.

Ohišja cvrtnika ali časovnika ne potaplajte v vodo.

Poskrbite, da so vsi deli suhi, preden napolnite cvrtnik z oljem ali maščobo.

Shranjevanje

- 1** Preden shranite cvrtnik, počakajte vsaj 4 ure, da se olje ali mast ohladi.
- 2** Namestite vse dele nazaj na aparat in zaprite pokrov.
- 3** Kabel potisnite v prostor za shranjevanje. (Sl. 6)
- 4** Cvrtnik dvignite za ročaja in ga shranite (Sl. 17).

Okolje

- Aparata po preteku življenjske dobe ne odvrzite skupaj z običajnimi gospodinjstvi odpadki, temveč ga odložite na uradnem zbirnem mestu za recikliranje. Tako boste pripomogli k ohranitvi okolja (Sl. 18).
- Baterije vsebujejo snovi, ki lahko onesnažijo okolje. Ne zavržite jih skupaj z običajnimi gospodinjstvi odpadki, temveč jih odložite na uradnem zbirnem mestu za baterije. Preden časovnik odvržete in oddate na uradnem zbirnem mestu, odstranite baterijo časovnika.

Odstranjevanje baterije časovnika

- 1** Za odstranitev sprednjega dela časovnika uporabite majhen izvijač z ravno glavo (Sl. 19).
- 2** Odstranite baterijo.

Garancija in servis

Za servis, informacije ali v primeru težav obiščite Philipsovo spletno stran na naslovu www.philips.com ali pa se obrnite na Philipsov center za pomoč uporabnikom v svoji državi (telefonsko številko

najdete na mednarodnem garancijskem listu). Če v vaši državi ni takšnega centra, se obrnite na lokalnega Philipsovega prodajalca.

Odpravljanje težav

To poglavje vsebuje povzetek najpogostejših težav, ki se lahko pojavijo pri uporabi aparatov. Če s temi nasveti ne morete odpraviti težav, se obrnite na center za pomoč uporabnikom v svoji državi.

Težava	Možni vzrok	Rešitev
Ocvrta hrana ni zlato-rjave barve in/ali ni hrustljava.	Izbrana temperatura je prenizka in/ali hrane niste dovolj dolgo cvrli.	Na embalaži hrane ali v preglednici s hrano na koncu te knjižice preverite, ali ste izbrali pravilno temperaturo in/ali čas priprave. Nastavite temperaturni regulator na ustrezno temperaturo.
	V košari za cvrtje je prevelika količina hrane.	Nikoli ne cvrite večje količine hrane, kot je priporočeno v preglednici s hrano na koncu te knjižice.
Cvrtnik ne deluje.	Vklopila se je varnostna termična varovalka.	Za zamenjavo varovalke se obrnite na Philipsovega prodajalca ali Philipsov pooblaščen servis.
Iz cvrtnika se širi močan neprijeten vonj.	Trajni protimaščobni filter je zamašen.	Odstranite pokrov in ga skupaj s filtrom operite v vroči vodi z nekaj tekočega čistila ali v pomivalnem stroju.
	Olje ali maščoba nista več dovolj sveža.	Zamenjajte olje ali maščobo. Olje ali maščobo redno precejajte, da ostane sveža dalj časa.
	Vrsta olja ali maščobe ni primerna za uporabo s cvrtnikom.	Uporabljajte olje za cvrtje ali tekočo maščobo za cvrtje visoke kakovosti. Ne mešajte različnih vrst olja ali maščobe.
Para uhaja iz drugih mest in ne le skozi filter.	Pokrov ni pravilno zaprt.	Pokrov pravilno zaprite.
	Trajni protimaščobni filter je zamašen.	Odstranite pokrov in ga skupaj s filtrom operite v vroči vodi z nekaj tekočega čistila ali v pomivalnem stroju.
Olje ali maščoba se med cvrtjem preliva preko roba cvrtnika.	V posodo za cvrtje ste nalili preveč olja ali maščobe.	Olje ali mast naj ne segata preko maksimalnega nivoja, označenega na posodi za cvrtje.
	Hrana vsebuje preveč tekočine.	Hrano pred cvrtjem temeljito posušite. Cvrite jo v skladu z navodili v tem uporabniškem priročniku.
	V košari za cvrtje je preveč hrane.	Ne cvrite večje količine hrane, kot je priporočeno v preglednici s hrano na koncu te knjižice.
Olje ali maščoba se med cvrtjem močno peni.	Hrana vsebuje preveč tekočine.	Hrano pred cvrtjem temeljito osušite.

Težava	Možni vzrok	Rešitev
	Vrsta olja ali maščobe, ki jo uporabljate, ni primerna za uporabo s cvrtnikom.	Uporabljajte olje za cvrtje ali tekočo maščobo za cvrtje visoke kakovosti. Ne mešajte različnih vrst olja ali maščobe.
	Notranje posode niste pravilno očistili.	Očistite notranjo posodo (oglejte si poglavje "Čiščenje").

Preglednica s hrano (Sl. 20)

Uvod

Čestitamo vam na kupovini i dobrodošli u Philips! Da biste imali sve pogodnosti podrške koju pruža Philips, registrirajte svoj proizvod na www.philips.com/welcome.

Opšti opis (Sl. 1)

- A Korpa za prženje
- B Poklopac
- C Oznake 'MIN' i 'MAX'
- D Pregrada za odlaganje kabla
- E Kabl
- F Integrisane drške
- G Odvojeni digitalni tajmer
- H Prekidač za uključivanje/isključivanje
- I Regulator temperature
- J Funkcija PreClean
- K Indikator temperature
- L Dugme za otvaranje poklopca
- M Unutrašnja posuda
- N Otvor za izlivanje

Važno

Pre upotrebe aparata pažljivo pročitajte ovo uputstvo i sačuvajte ga za buduće potrebe.

Opasnost

- Kućište, koje sadrži električne delove i elemenat za grejanje, nikada ne uranjajte u vodu i nemojte ga prati pod mlazom vode.

Upozorenje

- Pre uključivanja aparata, proverite da li napon naznačen na aparatu odgovara naponu lokalne mreže.
- Nemojte da koristite aparat ako je oštećen utikač, kabl za napajanje ili sam aparat.
- Ako je kabl za napajanje oštećen, on uvek mora biti zamenjen od strane kompanije Philips, ovlašćenog Philips servisa ili na sličan način kvalifikovanih osoba, kako bi se izbegao rizik.
- Ovaj aparat nije namenjen za upotrebu od strane osoba (što podrazumeva i decu) sa smanjenim fizičkim, senzornim ili mentalnim sposobnostima, ili nedostatkom iskustva i znanja, osim pod nadzorom ili na osnovu uputstava za upotrebu aparata datih od strane osobe koja odgovara za njihovu bezbednost.
- Deca moraju da budu pod nadzorom da se ne bi igrala aparatom.
- Kabl za napajanje držite van domašaja dece. Nemojte dozvoliti da kabl visi preko ivice stola ili radne površine na kojoj aparat stoji.
- Aparat priključujte samo u uzemljenu zidnu utičnicu.
- Tokom prženja kroz filter se ispušta vrela para. Držite ruke i lice na bezbednom rastojanju od pare. Vrele pare treba da se čuvate i kada otvarate poklopac.
- Ovaj aparat nije namenjen za upotrebu sa spoljnim tajmerom ili odvojenim sistemom za daljinsko upravljanje.

Oprez

- Kod ispitivanja ili opravke uvek vratite uređaj u ovlašćeni Philips servisni centar. Nemojte pokušavati da sami popravite aparat, inače će se time prekinuti vaša prava po garanciji.
- Postavite aparat na horizontalnu, ravnu i stabilnu podlogu.
- Nemojte da dodirujete prozor jer tokom prženja on postaje vreo.
- Ovaj aparat je namenjen isključivo za upotrebu u domaćinstvu. Ako se aparat upotrebljava nepropisno ili za poluprofesionalne namene ili se koristi na način koji nije u skladu sa uputstvima

iz korisničkog priručnika, garancija će prestati da važi, a Philips neće prihvatiti odgovornost za bilo kakva nastala oštećenja.

- Namirnice pržite tako da postanu zlatno-žute, a ne tamne ili smeđe boje i uklonite zagorele ostatke. Namirnice koje sadrže škrob, posebno krompir i žitarice, nemojte da pržite na temperaturi iznad 175°C (da biste sveli stvaranje akrilamida na najmanju moguću meru).
- Pazite da voda ili led ne dođu u kontakt sa uljem ili mašću jer to izaziva jako prskanje ili ključanje ulja ili masti. Da biste to postigli, uklonite višak leda iz smrznutih sastojaka pre prženja i dobro osušite sastojke pre prženja. Nemojte previše puniti korpu. Nakon čišćenja, dobro osušite sve delove pre nego što sipate ulje ili mast u fritezu.
- Nemojte da pržite kolače od azijskog pirinča (i drugu sličnu hranu) u ovom aparatu. To bi moglo da izazove snažno ključanje i prskanje ulja ili masti.
- Trudite se da nivo ulja ili masti u fritezi uvek bude između oznaka 'MIN' i 'MAX' na unutrašnjoj strani unutrašnje posude, kako bi se sprečilo prelivanje i pregrevanje.
- Nemojte da uključujete aparat pre nego što ga napunite uljem ili mašću, jer ga to može oštetiti.

Elektromagnetna polja (EMF)

Ovaj Philips aparat je usklađen sa svim standardima u vezi sa elektromagnetnim poljima (EMF). Ako se aparatom rukuje na odgovarajući način i u skladu sa uputstvima iz ovog priručnika, aparat je bezbedan za upotrebu prema naučnim dokazima koji su danas dostupni.

Pre upotrebe

- 1** Očistite aparat pre prve upotrebe (pogledajte poglavlje 'Čišćenje').

Vodite računa o tome da svi delovi budu potpuno suvi pre nego što napunite fritezu uljem ili mašću.

- 2** Pritisnite dugme za otvaranje da otvorite poklopac (Sl. 2).
- 3** Na tabeli za ulje/mast pogledajte koliko ulja ili masti treba da stavite u fritezu (Sl. 3).
- 4** Fritezu napunite uljem, tečnom mašću ili otopljenom čvrstom mašću do nivoa između oznaka 'MIN' (Minimum) i 'MAX' (Maksimum) i zatvorite poklopac (Sl. 4).

Nemojte da uključujete aparat pre nego što ste ga napunili uljem ili mašću.

Ulje i mast

Nikada nemojte da mešate različite vrste ulja ili masti, a već korišćenom ulju ili masti nemojte da dodajete sveže ulje, odnosno mast.

- Savetujemo vam da koristite ulje za prženje ili tečnu mast. Poželjno je da koristite biljno ulje ili mast bogatu nezasićenim mastima (npr. linoleinskom kiselinom) kao što je sojino, kukuruzno, suncokretovo ulje ili ulje kikirikija.
- Budući da ulje i mast brzo gube svoje korisne sastojke, njih treba redovno menjati (na svakih 10-12 prženja).
- Ako ulje ili mast počne da pravi penu tokom zagrevanja, ima jak miris ili ukus, odnosno ako potamni i/ili se zgusne, obavezno ih promenite.

Čvrsta mast

Može se koristiti i kuhinjska mast u čvrstom stanju, ali su u tom slučaju neophodne dodatne mere opreza da bi se sprečilo prskanje masti i pregrevanje ili oštećivanje elementa za grejanje.

- 1** Ako želite da upotrebite nove komade masti, polako ih istopite na slaboj vatri u običnom tiganju.
- 2** Pažljivo sipajte istoplenu mast u fritezu.
- 3** Odložite fritezu kada se mast ponovo zgusne na sobnoj temperaturi.

- 4** Ako se mast previše ohladi, može da prska prilikom topljenja. Viljuškom napravite nekoliko rupica u očvrslj masti kako biste to sprečili (Sl. 5).

Pazite da viljuškom ne oštetite unutrašnju posudu.

Upotreba aparata

- 1** Izvadite ceo kabl iz odeljka za odlaganje kabla i uključite utikač u utičnicu (Sl. 6).
- 2** Uključite fritezu (Sl. 7).
 - ▶ Zasvetleće indikator temperature (Sl. 8).
- 3** Regulator temperature podesite na potrebnu temperaturu (informacije potražite na ambalaži hrane koju nameravate da pržite ili u tabeli na kraju ovih uputstava).
- 4** Pričekajte da se indikator temperature isključi (oko 10 do 15 minuta).
- 5** Savijte dršku korpe za prženje (Sl. 9).
- 6** Otvorite poklopac (Sl. 2).
- 7** Izvadite korpu iz friteze i u nju stavite hranu koju želite da pržite (Sl. 10).

Nemojte da pržite velike količine odjednom. Ne prekoračujte količine koje su date u tabeli na kraju ovog priručnika (☞ označava preporučenu količinu).

- 8** Stavite korpu na nosač, ali ne spuštajte je još uvek u ulje ili mast (Sl. 11).
- 9** Zatvorite poklopac.
- 10** Pritisnite dugme na drški korpe i savijte dršku prema fritezi. Korpa se automatski spušta u ulje ili mast. (Sl. 12)

Za vreme prženja uključuje se indikator temperature, a zatim se povremeno isključuje, što ukazuje na uključivanje i isključivanje elementa za grejanje da bi se održala ispravna temperatura.

Tajmer

Napomena: Tajmer možete da koristite i u druge svrhe, npr. kao običan tajmer za kuvanje.

Podešavanje tajmera

- 1** Pritisnite taster tajmera da biste podesili vreme prženja u minutima. (Sl. 13)
 - ▶ Nekoliko sekundi posle podešavanja vremena prženja, tajmer će početi da odbrojava.
 - ▶ Dok tajmer odbrojava, preostalo vreme prženja će treptati na displeju. Poslednji minut se prikazuje u sekundama.
 - ▶ Kada podešeno vreme istekne, čućete zvučni signal. Isti signal će se ponoviti nakon 10 sekundi. Pritisnite dugme tajmera da biste prekinuli zvučni signal.

Napomena: Podešavanje tajmera možete poništiti tako što ćete taster tajmera držati pritisnutim 2 sekunde (tajmer će na trenutak zatreptati) dok se ne pojavi oznaka „00“.

Posle prženja

- 1** Savijte dršku korpe za prženje (Sl. 9).
- 2** Otvorite poklopac (Sl. 2).

Čuvajte se vrele pare.

- 3** Izvadite korpu iz friteze i oteresite višak ulja ili masti.
- 4** Prženu hranu stavite u posudu ili cediljku sa papirom koji upija masnoću, npr. kuhinjskim papirom.

5 Uživajte u prženoj hrani.

Ako želite da ispržite dodatnu količinu, sačekajte da se indikator temperature isključi.

6 Pritisnite prekidač za uključivanje/isključivanje da biste isključili fritezu.**7 Stavite korpu u fritezu.****8 Zatvorite poklopac.****9 Nakon upotrebe isključite aparat iz napajanja.**

Napomena: Ako fritezu ne koristite redovno, preporučujemo vam da iz nje izvadite ulje ili tečnu mast koje zatim u čvrsto zatvorenim posudama treba odložiti u hladionik ili na hladno mesto.

Saveti za prženje

- Informacije o vremenu pripreme i temperaturama prženja potražite u tabeli na kraju ovih uputstava.
- Sa hrane za prženje otresite što više leda i vode te je pre prženja dobro osušite.
- Nemojte da pržite velike količine odjednom. Ne prekoračujte količine koje su date na kraju ovog priručnika (☞ označava preporučenu količinu).

Uklanjanje neprijatnog mirisa

Neke vrste namirnica, naročito riba, mogu ulju ili masti da daju neprijatnu aromu. Za neutralizaciju neprijatne arome:

1 Zagrejte ulje do temperature od 160°C.**2 U ulje stavite dva tanka komada hleba i nekoliko stabljika peršuna.****3 Sačekajte da ulje prestane da ključa, a zatim lopaticom izvadite hleb i peršun iz friteze.**
Ulje ili mast će ponovo imati neutralan ukus.**Domaći prženi krompirići**

Na sledeći način možete da napravite najukusniji i najhrskaviji pomfrit:

1 Uzmite čvrste krompire u iseckajte ih u štapiće. Isperite štapiće hladnom vodom.
To će sprečiti da se komadi zalepe tokom prženja.

Napomena: Temeljito osušite štapiće.

2 Krompiriće pržite dva puta: prvi put 4-6 minuta pri temperaturi od 160°C, drugi put 5-8 minuta pri temperaturi od 175°C.

Ostavite ih da se ohlade pre drugog prženja.

3 Spustite krompiriće u posudu i protresite ih.**Čišćenje**

Za čišćenje aparata nemojte koristiti jastučice za ribanje i abrazivna sredstva za čišćenje niti agresivne tečnosti kao što su benzin ili aceton.

1 Otvorite poklopac (Sl. 2).**2 Pre čišćenja ili premeštanja friteze ulje ili mast ostavite da se hladi najmanje 4 sata.****3 Povucite poklopac nagore da biste ga skinuli (Sl. 14).****4 Podignite korpu za prženje iz friteze (Sl. 10).****5 Izlijte ulje ili mast (Sl. 15).**

Funkcija PreClean

Ovaj uređaj opremljen je funkcijom PreClean koja vam omogućava da unutrašnju posudu radi lakšeg čišćenja natopite u vreloj vodi sa tečnošću za pranje sudova.

Pre upotrebe te funkcije, proverite da li ste iz friteze izvadili ulje ili mast.

- 1** Napunite unutrašnju posudu hladnom vodom do tri četvrtine njenog kapaciteta i dodajte nešto tečnosti za pranje. (Sl. 16)
- 2** Uključite utikač u zidnu utičnicu.
- 3** Uključite aparat (Sl. 7).
- 4** Regulator temperature postavite na funkciju PreClean. (Sl. 8)
 - ▶ Voda će se zagrejati do temperature malo niže od tačke ključanja.
- 5** Nakon 30 minuta isključite aparat i izvucite kabl iz struje.
- 6** Prolijte vodu iz unutrašnje posude i očistite posudu onako kako je opisano u nastavku teksta.

Čišćenje aparata

- 1** Posudu, poklopac i korpu za prženje operite vrelom vodom i tečnošću za pranje. Isperite ih čistom vodom i dobro ih osušite.

Poklopac i korpu za prženje možete da perete i u mašini za pranje sudova.

- 2** Kućište očistite vlažnom krpom (uz nešto malo tečnosti za pranje) i/ili kuhinjskim papirom. Tajmer možete očistiti vlažnom krpom.

Kućište friteze i tajmer nikada ne uranjajte u vodu.

Vodite računa o tome da svi delovi budu potpuno suvi pre nego što napunite fritezu uljem ili mašću.

Odlaganje

- 1** Pre odlaganja friteze, ulje ili mast ostavite da se hladi najmanje 4 sata.
- 2** Vratite sve delove u/na fritezu i zatvorite poklopac.
- 3** Kabl vratite u pregradu za odlaganje. (Sl. 6)
- 4** Fritezu podignite za drške i odložite je na odgovarajuće mesto (Sl. 17).

Zaštita okoline

- Aparat koji se više ne može upotrebljavati nemojte da odlažete u kućni otpad, već ga predajte na zvaničnom mestu prikupljanja za reciklažu. Tako ćete doprineti zaštiti okoline (Sl. 18).
- Baterije sadrže materije koje mogu da zagade okolinu. Nemojte bacati baterije sa običnim kućnim otpadom, već ih predajte na zvaničnom mestu za prikupljanje baterija. Pre bacanja uređaja na otpad obavezno izvadite baterije iz tajmera i predajte ih na zvaničnom mestu za prikupljanje.

Uklanjanje baterije tajmera

- 1** Upotrebite mali odvijač sa pljosnatom glavom da biste skinuli prednju stranu tajmera (Sl. 19).
- 2** Uklonite bateriju.

Garancija i servis

Ukoliko vam je potreban servis, informacije ili ako imate neki problem, posetite Web lokaciju kompanije Philips na adresi www.philips.com ili se obratite centru za korisničku podršku kompanije Philips u svojoj zemlji (broj telefona ćete pronaći na međunarodnom garantnom listu). Ako u vašoj zemlji ne postoji centar za korisničku podršku, obratite se lokalnim distributeru Philips proizvoda.

Rešavanje problema

Ovo poglavlje sumira najčešće probleme sa kojima se možete sresti prilikom upotrebe aparata. Ukoliko niste u mogućnosti da rešite određeni problem pomoću sledećih informacija, kontaktirajte Centar za brigu o potrošačima u vašoj zemlji.

Problem	Mogući uzrok	Rešenje
Pržena hrana nema zlatno smeđu boju i/ili nije hrskava.	Izabrali ste suviše nisku temperaturu i/ili hrana nije dovoljno dugo pržena.	Potražite pakovanje hrane ili tabelu u ovom uputstvu i proverite da li ste izabrali odgovarajuću temperaturu i/ili vreme za pripremu. Podesite regulator na odgovarajuću temperaturu.
	U korpi ima previše hrane.	U korpu nikada nemojte da stavljate količinu hrane veću od one koja je navedena u tabeli na kraju ovih uputstava.
Friteza ne radi.	Aktivirano je bezbednosno isključivanje.	Obratite se ovlašćenom prodavcu Philips proizvoda ili ovlašćenom Philips servisnom centru i zatražite da zamene osigurač.
Iz friteze se širi jak neprijatan miris.	Trajni filter protiv zamašćivanja je pun.	Skinite poklopac i očistite poklopac i filter vrelom vodom i deterdžentom ili ih operite u mašini za pranje posuđa.
	Ulje ili mast više nisu sveži.	Zamenite ulje ili mast. Redovno cedite ulje ili mast kroz sito da biste ih duže održali svežim.
	Vrsta ulja ili masti koju koristite nije pogodna za duboko prženje.	Koristite kvalitetno ulje ili tečnu mast za prženje. Nikada nemojte da mešate različite vrste ulja ili masti.
Osim iz filtera, para izlazi i iz drugih delova.	Poklopac nije dobro zatvoren.	Propisno zatvorite poklopac.
	Trajni filter protiv zamašćivanja je pun.	Skinite poklopac i očistite poklopac i filter vrelom vodom i deterdžentom ili ih operite u mašini za pranje posuđa.
Ulje ili mast se tokom prženja preliva preko ivice friteze.	U fritezi je previše ulja ili masti.	Vodite računa da ulje ili mast u fritezi ne prekoračuje oznaku 'MAX' (Maksimum).
	Hrana sadrži suviše vlage.	Temeljno osušite hranu pre nego što počnete da je pržite u skladu sa uputstvima iz ovog korisničkog priručnika.
	U korpi za prženje se nalazi previše hrane.	U korpu nikada nemojte da stavljate količinu hrane veću od one koja je navedena u tabeli na kraju ovih uputstava.

Problem	Mogući uzrok	Rešenje
Tokom prženja ulje ili mast se jako peni.	Hrana sadrži suviše vlage.	Pre prženja temeljno osušite hranu.
	Vrsta ulja ili masti koju koristite nije pogodna za prženje u dubokom ulju.	Koristite kvalitetno ulje ili tečnu mast za prženje. Nikada nemojte da mešate različite vrste ulja ili masti.
	Niste dobro očistili unutrašnju posudu.	Očistite unutrašnju posudu (pogledajte poglavlje 'Čišćenje').

Tabela hrane (SI. 20)

Вступ

Вітаємо Вас із покупкою та ласкаво просимо до клубу Philips! Щоб у повній мірі скористатися підтримкою, яку пропонує компанія Philips, зареєструйте свій виріб на веб-сайті www.philips.com/welcome.

Загальний опис (Мал. 1)

- A Кошик для смаження
- B Кришка
- C Позначки "MIN" та "MAX"
- D Відділення для зберігання шнура
- E Шнур
- F Вмонтовані ручки
- G Окремий цифровий таймер
- H Перемикач "увімк./вимк."
- I Система контролю температури
- J Функція PreClean
- K Індикатор температури
- L Кнопка розблокування кришки
- M Внутрішня каструля
- N Зливний канал

Важлива інформація

Перед тим як використовувати пристрій, уважно прочитайте цей посібник користувача і зберігайте його для майбутньої довідки.

Небезпечно

- Ніколи не занурюйте корпус, в якому знаходяться електричні компоненти і нагрівальний елемент, у воду та не мийте під краном.

Увага!

- Перед тим як під'єднувати пристрій до електромережі, перевірте, чи збігається напруга, вказана на пристрої, з напругою у мережі.
- Не використовуйте пристрій, якщо штекер, шнур живлення або сам пристрій пошкоджено.
- Якщо шнур живлення пошкоджений, для уникнення небезпеки його необхідно замінити, звернувшись до компанії Philips, уповноваженого сервісного центру або фахівців із належною кваліфікацією.
- Цей пристрій не призначено для користування особами (включаючи дітей) з послабленими фізичними відчуттями чи розумовими здібностями, або без належного досвіду та знань, крім випадків користування під наглядом чи за вказівками особи, яка відповідає за безпеку їх життя.
- Дорослі повинні стежити, щоб діти не бавилися пристроєм.
- Зберігайте шнур живлення подалі від дітей. Шнур живлення не повинен звисати над краєм столу чи робочої поверхні, на якій стоїть пристрій.
- Підключайте пристрій лише до заземленої розетки.
- Під час смаження через фільтр виходить гаряча пара. Тримайте руки та обличчя на безпечній відстані. Будьте також обережні з гарячою парою, коли відкриваєте кришку.
- Цей пристрій не призначено для керування за допомогою зовнішнього таймера чи окремої системи дистанційного керування.

Увага

- Для перевірки або ремонту пристрою завжди звертайтеся до сервісного центру, уповноваженого фірмою Philips. Не намагайтеся ремонтувати пристрій самостійно, це призведе до втрати гарантії.

- Поставте пристрій на горизонтальну, рівну і стійку поверхню.
- Не торкайтеся оглядового віконця, адже під час смаження воно нагрівається.
- Цей пристрій призначений виключно для побутового використання. Якщо пристрій використовується неналежно, для (напів-)професійних чи інших цілей всупереч цій інструкції, гарантія втрачає чинність, а компанія Philips не несе відповідальності за заподіяну шкоду.
- Смажте їжу до золотистого кольору, а не до темного чи коричневого; видаляйте обгорілі залишки. Не смажте продуктів, що містять крохмаль, особливо картоплю та круп'яні продукти, при температурі вище 175°C (щоб мінімізувати утворення акриламідів).
- Слідкуйте, щоб вода і/або лід не потрапляли в олію або жир, оскільки це може призвести до інтенсивного розбризкування або спінення олії чи жиру. Щоб цього не сталося, знімайте лід із заморожених продуктів перед смаженням, а також кладіть продукти у фритюрницю сухими. Не кладіть у кошик надмірної кількості продуктів. Після чищення добре висушіть всі частини перед тим, як наповнити фритюрницю олією або жиром.
- Не смажте у пристрої азійські рисові пироги (або подібні страви). Це може призвести до інтенсивного вибризкування або спінення олії чи жиру.
- Для запобігання витіканню або перенагріванню рівень олії чи жиру у фритюрниці завжди повинен бути між позначками MIN і MAX всередині внутрішньої каструлі.
- Не вмикайте пристрій, якщо в ньому немає олії чи жиру, адже це може його пошкодити.

Електромагнітні поля (ЕМП)

Цей пристрій Philips відповідає усім стандартам електромагнітних полів (ЕМП). Згідно з останніми науковими дослідженнями, пристрій є безпечним у використанні за умов правильної експлуатації у відповідності з інструкціями, поданими у цьому посібнику користувача.

Підготовка до використання

- 1** Перед першим використанням помийте пристрій (див. розділ “Чищення”).

Перед тим, як наповнити фритюрницю олією чи жиром, перевірте, чи всі частини висушили.

- 2** Щоб відкрити кришку, натисніть кнопку розблокування кришки (Мал. 2).

- 3** Щоб визначити, скільки необхідно додати олії чи жиру в фритюрницю, див. таблицю мір (Мал. 3).

- 4** Наповніть фритюрницю олією, рідким або розтопленим жиром до рівня між позначками “MIN” і “MAX” і закрийте кришку (Мал. 4).

Не вмикайте пристрій, не наповнивши його олією чи жиром.

Олія та жир

Ніколи не поєднуйте два різних типи олії чи жиру; ніколи не додавайте свіжої олії чи жиру до користованої.

- Радимо використовувати олію або рідкий жир. Бажано використовувати рослинну олію або жир, багаті на ненасичені жири (такі як лінолева кислота), наприклад соєву олію, арахісову олію, кукурудзяну або соняшникову олію.
- У зв'язку з тим, що олія та жир досить швидко втрачають смакові властивості, необхідно постійно міняти олію та жир (кожні 10-12 разів).
- Завжди змінюйте олію чи жир, якщо під час нагрівання вони починають пінитися, якщо з'являється сильний запах або смак, або якщо олія чи жир темніють, стають схожими на сироп.

Твердий жир

Можна також використовувати твердий жир. Але в цьому випадку необхідні додаткові заходи, щоб жир не розбризкувався, а нагрівальний елемент не перегрівався та не пошкоджувався.

- 1 Якщо використовувати нові кубики жиру, їх треба повільно розтопити при низькій температурі у звичайній сковороді.
- 2 Обережно залийте розтоплений жир у фритюрницю.
- 3 Фритюрницю із затверділим жиром необхідно зберігати при кімнатній температурі.
- 4 Якщо жир надто охолоджується, під час розтоплення він може розбризкуватися. Щоб запобігти цьому, виделкою зробіть у ньому декілька отворів (Мал. 5).

Обережно, не пошкодьте виделкою внутрішню каструлю.

Застосування пристрою

- 1 Повністю витягніть весь шнур з його відділення та вставте штепсель у розетку (Мал. 6).
- 2 Вимкніть фритюрницю (Мал. 7).
 - ▶ Спалахує індикатор температури (Мал. 8).
- 3 Налаштуйте регулятор температури на відповідну температуру (див. упаковку з продуктів, які будете смажити, або таблицю вкінці буклета).
- 4 Почекайте, поки індикатор температури згасне (це займе 10-15 хв.).
- 5 Розкладіть ручку кошика для смаження (Мал. 9).
- 6 Відкрийте кришку (Мал. 2).
- 7 Вийміть із фритюрниці кошик та покладіть у нього продукти (Мал. 10).

Не смажте надто багато продуктів за один раз. Не перевищуйте кількість продуктів, вказану в таблиці продуктів в кінці буклета (рекомендовану кількість позначено ☹).

- 8 Поставте кошик на фіксатор, але поки не опускайте його в олію чи жир (Мал. 11).
- 9 Закрийте кришку.
- 10 Натисніть кнопку на ручці кошика і поверніть ручку до фритюрниці. Кошик автоматично опуститься в олію чи жир. (Мал. 12)

Під час смаження індикатор температури час від часу засвічується та згасає, показуючи, що нагрівальний елемент вмикається та вимикається для регулювання температури.

Таймер

Примітка: Таймер можна використовувати також для інших цілей, наприклад, як звичайний таймер приготування їжі.

Установка таймера

- 1 Натисніть кнопку таймера, щоб встановити час смаження в хвилинах. (Мал. 13)
 - ▶ Через декілька секунд після встановлення часу таймер починає відлік.
 - ▶ Поки йде відлік часу, на дисплеї блимає залишок часу. Остання хвилина висвітлюється у секундах.
 - ▶ Коли минає встановлений час, прозвучить звуковий сигнал. Через 10 секунд цей сигнал повториться. Натисніть кнопку таймера, щоб вимкнути звуковий сигнал.

Примітка: Встановлений час можна стерти, тримаючи натисненою кнопку таймера протягом 2 секунд (коли таймер блимає), доки не з'являться цифри "00".

Після смаження

- 1 Розкладіть ручку кошика (Мал. 9).
- 2 Відкрийте кришку (Мал. 2).

Обережно: гаряча пара.

- 3** Вийміть з фритюрниці кошик та стрясіть зайву олію чи жир.
- 4** Засмажені продукти покладіть у посудину, викладену папером, що вбирає жир (наприклад, кухонний папір).
- 5** Смачного!
Щоб засмажити наступну порцію, зачекайте, поки не згасне індикатор температури.
- 6** Щоб вимкнути фритюрницю, натисніть перемикач живлення.
- 7** Вставте кошик у фритюрницю.
- 8** Закрийте кришку.
- 9** Після використання від'єднайте фритюрницю від мережі.

Примітка: Якщо Ви не часто користуєтеся фритюрницею, радимо видалити олію або рідкий жир і зберігати його у герметичному посуді, бажано у холодильнику або в прохолодному місці.

Поради щодо смаження

- Для ознайомлення з часом приготування та температурою підсмажування див. таблицю вкінці буклету.
- Обережно обтрусіть з продуктів лід та воду та протріть їх, щоб вони були досить сухі.
- Не смажте надто багато продуктів за один раз. Не перевищуйте кількість продуктів, вказану в кінці буклета (рекомендовану кількість позначено ☹).

Як позбутися небажаного присмаку

Певні типи продуктів, наприклад, риба, можуть надавати олії чи жиру неприємного присмаку. Щоб нейтралізувати їх смак в олії чи жирі:

- 1** Підігрійте олію чи жир до температури 160°C.
- 2** Покладіть в олію дві тонкі скибки хліба або кілька пагінців петрушки.
- 3** Почекайте, поки зникнуть бульбашки, потім лопаткою витягніть з фритюрниці хліб або петрушку.

Олія чи жир тепер знову мають нейтральний смак.

Картопля-фрі по-домашньому

Найсмачнішу та найхрусткішу картоплю-фрі можна приготувати таким чином:

- 1** Тверду картоплю поріжте соломкою. Сполосніть під холодною водою. Це не дасть солонці злипатися під час смаження.

Примітка: Добре підсушіть картоплю.

- 2** Смажте картоплю-фрі двічі: спочатку 4-6 хв. при температурі 160°C, потім - 5-8 хв. при температурі 175°C.

Перед тим, як смажити другий раз, дайте картоплі охолонути.

- 3** Викладіть картоплю-фрі по-домашньому в каструлю і струсіть її.

Чищення

Ніколи не використовуйте для чищення пристрою жорстких губок, абразивних засобів чи рідин для чищення, таких як бензин чи ацетон.

- 1** Відкрийте кришку (Мал. 2).

- 2 Перед тим, як чистити або переносити фритюрницю, дайте олії чи жиру повністю охолонути - щонайменше протягом 4 годин.
- 3 Зніміть кришку, потягнувши її догори (Мал. 14).
- 4 Зніміть кошик для підсмажування з фритюрниці (Мал. 10).
- 5 Злийте олію чи жир (Мал. 15).

Функція PreClean

Пристрій оснащено функцією PreClean, яка дозволяє замочити внутрішню каструлю у гарячій воді з рідиною для миття посуду, що полегшує чищення.

Перед тим, як використовувати цю функцію, перевірте, чи у внутрішній каструлі немає олії або жиру.

- 1 Наповніть внутрішню каструлю холодною водою на три чверті та додайте трохи миючого засобу. (Мал. 16)
- 2 Вставте штепсель у розетку на стіні.
- 3 Увімкніть пристрій (Мал. 7).
- 4 Налаштуйте регулятор температури на функцію PreClean. (Мал. 8)
 - ▶ Вода нагрівається до температури, трохи нижчої за точку кипіння.
- 5 Через 30 хвилин вимкніть пристрій і витягніть шнур із розетки.
- 6 Вилийте воду з внутрішньої каструлі та почистіть її, як описано нижче.

Чищення пристрою

- 1 Помийте каструлю, кришку та кошик для смаження гарячою водою та миючим засобом. Сполосніть проточною водою і ретельно висушіть.

Кришку та кошик для смаження можна також мити у посудомийній машині.

- 2 Почистіть корпус фритюрниці вологою тканиною (з миючим засобом) та/або кухонним папером.

Таймер можна чистити вологою тканиною.

Не занурюйте корпус фритюрниці або таймер у воду.

Перед тим, як наповнити фритюрницю олією чи жиром, перевірте, чи всі частини висохли.

Зберігання

- 1 Перед тим, як відкласти фритюрницю для зберігання, дайте олії чи жиру повністю охолонути - щонайменше протягом 4 годин.
- 2 Встановіть усі частини у/на фритюрницю та закрийте кришку.
- 3 Засуньте шнур у відділення для зберігання. (Мал. 6)
- 4 Підніміть фритюрницю за ручки і поставте на зберігання (Мал. 17).

Навколишнє середовище

- Не викидайте пристрій разом із звичайними побутовими відходами, а здавайте його в офіційний пункт прийому для повторної переробки. Таким чином Ви допоможете захистити довкілля (Мал. 18).
- Батареї містять речовини, які можуть забруднювати навколишнє середовище. Не викидайте батареї разом із звичайними побутовими відходами, а здайте їх в офіційний

пункт прийому батарей. Перед утилізацією таймера або передачею його в офіційний пункт прийому, завжди виймайте батареї.

Виймання батареї таймера

1 Зніміть передню частину таймера за допомогою пласкої викрутки (Мал. 19).

2 Витягніть батарею.

Гарантія та обслуговування

Якщо Вам необхідна інформація чи обслуговування або ж виникла проблема, відвідайте веб-сайт компанії Philips www.philips.com або зверніться до Центру обслуговування клієнтів компанії Philips у Вашій країні (телефон можна знайти у гарантійному талоні). Якщо у Вашій країні немає Центру обслуговування клієнтів, зверніться до місцевого дилера Philips.

Усунення несправностей

У цьому розділі зведено основні проблеми, які можуть виникнути під час використання пристрою. Якщо Ви не в змозі вирішити проблему за допомогою інформації, поданої нижче, зверніться до Центру обслуговування клієнтів у Вашій країні.

Проблема	Можлива причина	Вирішення
Смажена страва не має золотистого кольору та/або не хрумтить.	Вибрана температура надто низька і/або страва смажилася недостатньо довго.	Див. упаковку від продуктів або таблицю продуктів вкінці буклету, щоб визначити, чи вибрані Вами температура та час приготування правильні. За допомогою регулятора температури налаштуйте правильну температуру.
	У кошику надто багато продуктів.	Ніколи не смажте за один раз більшу кількість продуктів, ніж вказано у таблиці продуктів вкінці буклету.
Фритюрниця не працює.	Було активовано тепловий запобіжник.	Зверніться до дилера Philips або сервісного центру Philips для його заміни.
Пристрій виділяє стійкий неприємний запах.	Постійний протижировий фільтр перенасичено.	Зніміть кришку, помийте кришку та фільтр гарячою водою та миючим засобом або у посудомийній машині.
	Олія чи жир втратили свіжість.	Замініть олію чи жир. Регулярно фільтруйте олію чи жир, щоб вони довше залишалися свіжими.
Пара виходить не тільки з фільтру, а й з інших місць.	Тип олії чи жиру не підходить для смаження у фритюрниці.	Застосовуйте олію або жир кращої якості. Ніколи не змішуйте два різні види олії чи жиру.
	Неправильно закрита кришка.	Закрийте кришку належним чином.
	Постійний протижировий фільтр перенасичено.	Зніміть кришку, помийте кришку та фільтр гарячою водою та миючим засобом або у посудомийній машині.

Проблема	Можлива причина	Вирішення
Під час приготування олія чи жир витікає через край фритюрниці.	У фритюрниці надто багато олії чи жиру.	Перевірте, чи кількість олії чи жиру не перевищує позначки MAX.
	Продукти містять забагато вологи.	Ретельно висушіть продукти перед смаженням і смажте їх згідно із вказівками, поданими у цьому посібнику користувача.
Під час приготування олія чи жир сильно піняться.	У кошику для смаження забагато продуктів.	Не смажте за один раз більшу кількість продуктів, ніж вказано у таблиці продуктів вкінці буклету.
	Продукти містять забагато вологи.	Добре висушіть продукти перед смаженням.
	Тип олії чи жиру не підходить для смаження у фритюрниці.	Застосовуйте олію або жир кращої якості. Ніколи не змішуйте два різні види олії чи жиру.
	Внутрішня каструля не помита належним чином.	Почистіть внутрішню каструлю (див. розділ "Чищення").

Таблиця продуктів (Мал. 20)

