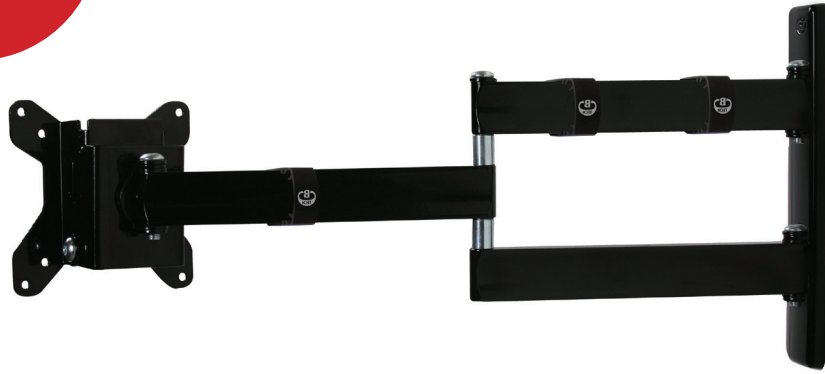


BT75 13

DOUBLE ARM FLAT SCREEN WALL MOUNT WITH TILT & SWIVEL



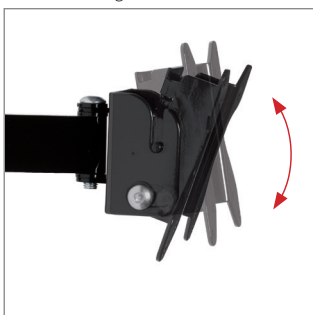
Designed to mount small flat screens, the BT7513 features a double articulated arm with easy tilt adjustment and a full 360° screen rotation for easy portrait or landscape mounting. The wall plate features 'OWLS' on wall levelling system to ensure a straight and smart installation. The BT7513 is also compatible with B-Tech's range of poles and collars, increasing the number of different ways it can be mounted, ideal for commercial applications as well as home installations. Security screws are provided to help prevent unauthorized removal of the screen.

SPECIFICATION

Recommended screen size	up to 28"
Max load	15kg
VESA® compatibility	up to 100 x 100
Tilt adjustment	+17° / -10°
Swivel	180°
Rotation	360°
Distance from wall	Min: 95mm - Max: 467mm

FEATURES

- Features three swivel points: 180° at wall, 360° at central pivot and 240° at interface
- Screen rotation allows screen to be mounted in landscape or portrait orientation
- Features 'OWLS' On Wall Levelling System
- CLIPLOGIC™ cable management included
- Compatible with B-Tech System 2 professional range
- Mounts to B-Tech BT7850 poles using 2x BT7841 or BT7052 Collars
- Security locking screws and Allen key provided help prevent unauthorised removal of the screen
- Simple 'hook-on' installation
- Coverplates included for a neat and tidy installation
- All mounting hardware included



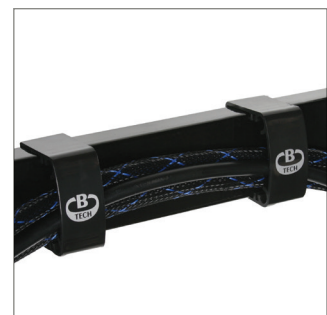
Easy tilt adjustment of +17° / -10°



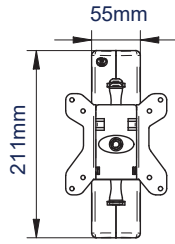
Security locking screws provided



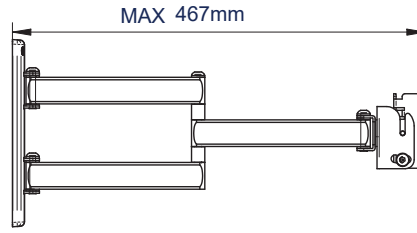
Space saving design - folds flat to the wall



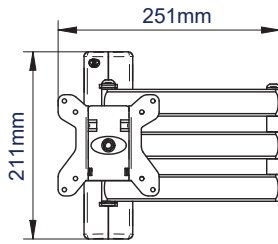
CLIPLOGIC™ cable management



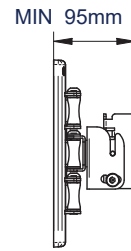
FRONT VIEW - MAXIMUM EXTENSION



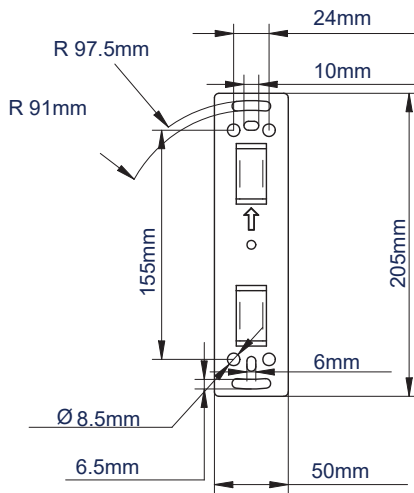
SIDE VIEW - MAXIMUM EXTENSION



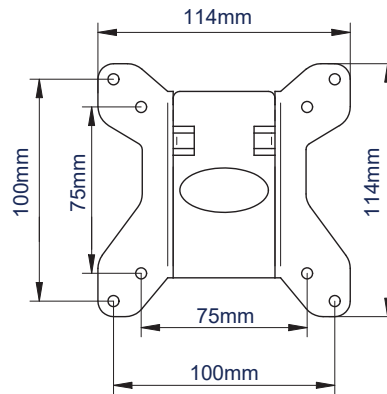
FRONT VIEW - FOLDED TO WALL



SIDE VIEW - FOLDED TO WALL



WALL PLATE



INTERFACE PLATE - FRONT VIEW

PACKING INFORMATION

COLOUR:	ORDER REF:	EAN CODE:	MASTER CARTON QTY:	INNER CARTON QTY:	MASTER CARTON WEIGHT:	MASTER CARTON CUBE:
Black	BT7513-PRO/PB	5019318751325	8	0	17.10kg	0.058cbm

ORIGINAL DESIGNS BY B-TECH AV MOUNTS - REGISTERED DESIGNS & PATENTS APPLY

ACCESSORIES AND RELATED PRODUCTS



BT7512
Single Arm Flat Screen Wall Mount with Tilt & Swivel for screens up to 28"



BT7515
Double Arm Flat Screen Wall Mount with Tilt & Swivel for screens up to 47"



BT7542
VESA Adaptor arms converts 100 x 100mm to 200 x 100mm



BT7841
2 x Accessory Collars attaches the mount to Ø50mm poles

© 2016 B-Tech Av Mounts. All rights reserved. B-Tech Av Mounts is a registered trademark of B-Tech Av Mounts. All other trademarks are the property of their respective owners. B-Tech Av Mounts and its products are registered trademarks of B-Tech Av Mounts. All other trademarks are the property of their respective owners. B-Tech Av Mounts is not responsible for any damage caused by improper or incorrect installation, use, or modification of any part of this product. B-Tech Av Mounts is not responsible for any damage caused by improper or incorrect installation, use, or modification of any part of this product. B-Tech Av Mounts is not responsible for any damage caused by improper or incorrect installation, use, or modification of any part of this product.

SS-BT7513-V2-2-070618