

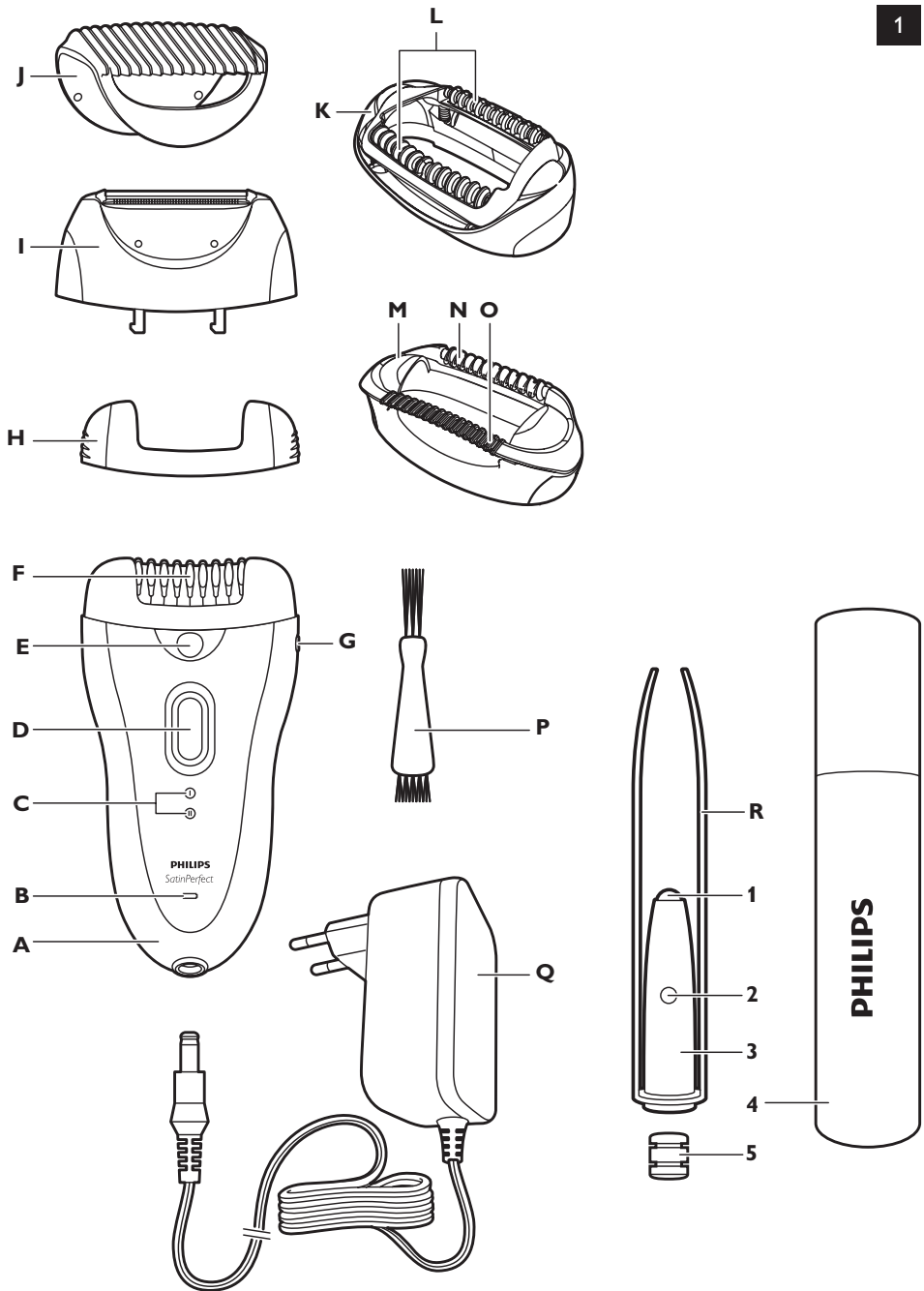
Register your product and get support at
www.philips.com/welcome

HP6576



PHILIPS







ENGLISH 6
ΕΛΛΗΝΙΚΑ 16
ESPAÑOL 29
ITALIANO 40
PORTUGUÊS 51
PORTUGUÊS DO BRASIL 62
TÜRKÇE 73

Introduction

Congratulations on your purchase and welcome to Philips! To fully benefit from the support that Philips offers, register your product at www.philips.com/welcome.

This Philips SatinPerfect epilator is produced in Europe according to the highest engineering standards and has been designed around the needs of today's women. Worldwide many women are involved in our development and production processes. They give us feedback on our concepts and products to give you the best quality possible.

Your new SatinPerfect epilator gives you the best performance in the removal of unwanted body hair; providing you with perfect and long-lasting smoothness in a pleasant way.

The epilator has a premium design and ingenious features. The epilating head covers a maximum area of the skin and its tweezers are made of ceramic material, which ensures a proper grip on even the finest hairs for easy hair removal. Hairs are removed by the root and grow back thinner and less visible.

The SatinPerfect is ergonomically shaped. It is subtly curved to ensure that the epilator follows every contour of your body. Its speed control maintains the ideal epilation speed for perfect results, no matter how hard or soft you push. The Opti-light helps you to target and remove even the trickiest hairs so that you do not miss a hair.

The active hairlifter on the front of the active hairlifter with active massage gently vibrates and lifts flat-lying hairs so that they can be easily removed. The active massaging roller on the back of the active hairlifter with active massage vibrates to give the skin a pleasant sensation that soothes the effect of epilation.

The optimal performance cap that pivots to follow your body contours for optimal skin contact gives you optimal performance in hair removal and perfect, long-lasting smooth legs.

The skin stretcher of the optimal performance cap stretches the skin gently so that even the shortest hairs can be removed.

General description (Fig. 1)

- A** Epilator
- B** Charging light
- C** Speed setting indications
- D** On/off button
 - Press once for speed II
 - Press twice for speed I
- E** Opti-light
- F** Epilating head
- G** Release button
- H** Basic epilation cap
- I** Sensitive area shaving head
- J** Trimming comb
- K** Optimal performance cap
- L** Skin stretcher
- M** Active hairlifter with active massage
- N** Active massaging roller
- O** Active hairlifter
- P** Cleaning brush
- Q** Adapter
- R** Smart Tweezers
 - 1** Light of Smart Tweezers
 - 2** On/off button for light
 - 3** Battery and light compartment
 - 4** Storage case of Smart Tweezers
 - 5** Button batteries

S Luxury pouch (not shown)**Important**

Read this user manual carefully before you use the appliance and the Smart Tweezers and save it for future reference.

Danger

- Keep the appliance and the adapter dry.
- Do not use the appliance near or over a washbasin or bath filled with water (Fig. 2).
- Do not use the appliance in the bath or in the shower (Fig. 3).
- If you use the epilator in the bathroom, do not use an extension cord (Fig. 4).

Warning

- Only charge the epilator with the adapter supplied.
- Do not use the appliance, an attachment or the adapter if it is damaged or broken to avoid injuries. Do not use the Smart Tweezers if they are damaged or broken to avoid injuries.
- If the adapter is damaged, always have it replaced with one of the original type in order to avoid a hazard.
- The adapter contains a transformer. Do not cut off the adapter to replace it with another plug, as this causes a hazardous situation.
- Check if the voltage indicated on the adapter corresponds to the local mains voltage before you connect the appliance.
- The appliance is not intended for use by persons (including children) with reduced physical, sensory or mental capabilities, or lack of experience and knowledge, unless they have been given supervision or instruction concerning use of the appliance by a person responsible for their safety.
- Children should be supervised to ensure that they do not play with the appliance.
- The Smart Tweezers are not a toy. Keep them out of the reach of children.

Caution

- The epilator is only intended for removing women's body hair on areas below the neck by epilating (legs) and shaving (underarms and bikini area). Do not use the epilator for any other purpose.
- For hygienic reasons, the appliance and the Smart Tweezers should only be used by one person.
- To prevent damage and injuries, keep the **running** epilator (with or without attachment) away from scalp hair; eyebrows, eyelashes, clothes, threads, cords, brushes etc.
- Do not use the epilator and the Smart Tweezers on irritated skin or skin with varicose veins, rashes, spots, moles (with hairs) or wounds without consulting your doctor first.
- People with a reduced immune response or people who suffer from diabetes mellitus, haemophilia or immunodeficiency should also consult their doctor first.
- Your skin may become a little red and irritated the first few times you use the epilator. This phenomenon is absolutely normal and quickly disappears. As you use the epilator more often, your skin gets used to epilation, skin irritation decreases and regrowth becomes thinner and softer. If the irritation has not disappeared within three days, we advise you to consult a doctor.
- Do not look directly into the Opti-light to avoid being dazzled by the light.
- Do not use the epilating head of the epilator without attachment.
- Do not expose the epilator to temperatures lower than 5°C or higher than 35°C.
- Only use the Smart Tweezers on alkaline button batteries type L763H or AG3 (dia. 7.8 x 3.4mm).

Electromagnetic fields (EMF)

This Philips appliance complies with all standards regarding electromagnetic fields (EMF). If handled properly and according to the instructions in this user manual, the appliance is safe to use based on scientific evidence available today.

Charging

Charging the epilator

Charging the epilator takes approximately 1 hour. When the epilator is fully charged, it has a cordless operating time of up to 40 minutes.

- 1 Switch off the appliance before you charge it.
- 2 Insert the appliance plug into the inlet socket and put the adapter in the wall socket (Fig. 5).
 - ▶ The charging light pulsates white to indicate that the epilator is charging (Fig. 6).
 - ▶ When the battery is fully charged, the charging light lights up white continuously for 20 minutes and then goes out (Fig. 7).

Battery-low indication

- 1 When the batteries are almost empty, the charging light starts to flash red.
When the charging light starts to flash red, the batteries still contain enough energy for a few minutes of operation.
- 2 When the batteries are completely empty, the charging light lights up red continuously.
To charge the epilator, follow steps 1 and 2 in section 'Charging the epilator' above. You can also run the appliance directly from the mains by inserting the appliance plug in the socket of the appliance and the adapter in a wall socket.

Epilation tips

Before you start epilating

Note: Always clean the epilating head of the epilator before first use.

- When you use the epilator for the first time, we advise you to try it out on an area with only light hair growth to get accustomed to the epilation process.
- We advise you to epilate before going to bed at night, as skin irritation usually disappears overnight.
- Epilation is easier just after taking a bath or shower. Make sure your skin is completely dry when you start epilating.
- Make sure your skin is clean, entirely dry and free from grease. Do not use any cream before you start epilating.
- Epilation is easier and more comfortable when the hair has the optimum length of 3–4 mm. If the hairs are longer, we recommend that you either shave first and epilate the shorter regrowing hairs after 1 or 2 weeks or that you use the sensitive area shaving head with the trimming comb to pretrim hairs to this ideal length.
- As your hair grows in different cycles, it is best to epilate a few days in a row when you start epilating. This will help you to remain stubble-free longer because your hairs will start regrowing in the same cycle and pace.
- The epilator is delivered with the basic epilation cap attached. If you want to use it with the optimal performance cap or the active hairlifter with active massage, detach the basic epilation cap by pulling it off the appliance and attach the optimal performance cap or the active hairlifter with active massage (see chapter 'Using the epilator', section 'Epilating the legs with the epilator').

During epilation

- The epilator can be used cordlessly on rechargeable batteries, but it can also be used with the adapter on mains power.
- While epilating, stretch your skin with your free hand. This lifts up the hairs and helps to minimise the pulling sensation.
- For optimal performance, place the epilating head on the skin at an angle of 90° with the on/off button pointing in the direction in which you are going to move the appliance. Guide the

appliance across the skin against the direction of hair growth in a slow, continuous movement without exerting any pressure.

- On some areas, hair may grow in different directions. In this case, it may be helpful to move the appliance in different directions to achieve optimal results.
- If you sweat during epilation, dab your skin dry with a soft cloth.
- When you use the optimal performance cap, make sure that both rollers of the skin stretcher always stay in contact with the skin to ensure an optimal result.
- When you use the active hairlifter with active massage, make sure the active massaging roller and the active hairlifter always stay in contact with the skin. The massaging roller stimulates and relaxes the skin for a gentler epilation.

After epilation

- To relax the skin, we advise you to apply a moisturising cream immediately after epilation or a few hours after epilation, depending on what is better for your skin.
- Regular use of an exfoliating sponge or cream (e.g. during showering) 24 hours after epilation helps to prevent ingrowing hair, as the gentle scrubbing action removes the upper skin layer and fine hair can get through to the skin surface.

Using the epilator

Epilating the legs with the epilator

- If you already have some experience with epilation, you can simply use the epilating head with the basic epilation cap.
- If you are not used to epilation, we advise you to start epilating with the optimal performance cap. This cap ensures optimal skin contact and its pivoting head stretches the skin and prepares the hairs for epilation.
- If your hairs lie flat on your skin, we advise you to use the active hairlifter with active massage. The active hairlifter with active massage not only lifts up the hairs but its active massaging roller also minimises the pulling sensation of epilation.

Note: Remove the basic epilation cap before you attach the optimal performance cap or the active hairlifter with active massage.

1 Squeeze both sides of the basic epilation cap (1) and pull it off the appliance (2) (Fig. 8).

2 Put the desired attachment on the epilating head (Fig. 9).

Note: The procedure for placing the attachments onto the appliance is the same for all attachments.

3 Press the on/off button once to switch on the epilator.

- ▶ The epilator starts running at speed II, which is the most efficient speed for epilation. The bottom speed setting indication II lights up (Fig. 10).
- ▶ If you want to use speed I, press the on/off button a second time. The top speed setting indication I lights up (Fig. 11).

Tip: Speed I is suitable for areas with little hair growth, for hard-to-reach areas and for areas where bones are located directly beneath the skin, such as knees and ankles.

- ▶ When you press the on/off button a third time, the epilator switches off.

4 Stretch the skin with your free hand to make the hairs stand upright.

5 Place the epilating head at an angle of 90° onto the skin with the on/off button pointing in the direction in which you are going to move the appliance (Fig. 12).

6 Move the appliance slowly over the skin against the direction of hair growth.

- When you use the optimal performance cap, make sure that both rollers of the skin stretcher always stay in contact with the skin to ensure an optimal result.

10 ENGLISH

- When you use the active hairlifter with active massage, make sure the active massaging roller and the active hairlifter always stay in contact with the skin. The massaging roller stimulates and relaxes the skin for a gentler epilation.

Shaving the underarms and bikini line

Use the sensitive area shaving head to shave sensitive areas such as the underarms and the bikini line.

- 1** Press the release button (1) and remove the epilating head from the epilator (2) (Fig. 13).

Note: The sensitive area shaving head can be removed in the same way.

- 2** Put the sensitive area shaving head on the appliance and press it until it snaps home ('click'). (Fig. 14)

- 3** Switch on the appliance.

Note: Use speed II when you shave with the sensitive area shaving head.

- 4** Stretch the skin with your free hand. When shaving the underarms, raise your arm to stretch the skin.
- 5** Place the sensitive area shaving head at an angle of 90° onto your skin with the on/off button pointing in the direction in which you are going to move the appliance.
- 6** Move the appliance slowly against the direction of hair growth.

Note: Make sure that the shaving unit with integrated trimmer is always fully in contact with the skin.

- Shave your bikini line as shown in the figure (Fig. 15).
- Shave your underarms as shown in the figure. Move the appliance in different directions. (Fig. 16)

- 7** When you have finished shaving, switch off the appliance and clean the sensitive area shaving head (see chapter 'Cleaning and maintenance').

- 8** Put the trimming comb on the sensitive area shaving head when you store the appliance.

Trimming with the trimming comb

Use the sensitive area shaving head with the trimming comb attached to trim your bikini line to a length of 3mm.

You can also use the trimming comb to pretrim long hairs (longer than 10mm) on the underarms or bikini line.

- 1** Press the release button (1) and remove the epilating head from the epilator (2) (Fig. 13).
- 2** Put the sensitive area shaving head on the appliance and press it until it snaps home ('click') (Fig. 14).
- 3** Put the trimming comb on the sensitive area shaving head (Fig. 17).
- 4** Follow steps 3 to 6 in section 'Shaving the underarms and bikini line'.

Note: Make sure the surface of the trimming comb always stays fully in contact with the skin to ensure an even trimming result.

- 5** When you have finished trimming, switch off the appliance and clean the sensitive area shaving head and the trimming comb (see chapter 'Cleaning and maintenance').
- 6** Leave the trimming comb on the sensitive area shaving head when you store the appliance.

Corded use

To run the epilator from the mains, switch off the appliance and connect it to the mains.

Overheat protection

The epilator has an integrated overheat protection, which prevents overheating of the appliance.

Note: To avoid overheating of the epilator, do not press the appliance too hard onto your skin. The epilator works best when you move it over your skin without exerting any pressure.

- 1** If the overheat protection is activated, the appliance switches off automatically, the speed setting indications and the charging light flash red.
- 2** Let the appliance cool down.
 - ▶ The lights stop flashing after 30 seconds.
- 3** When the appliance has cooled down, you can switch it on again. If the lights start to flash red again, the appliance has not yet cooled down completely.

Overload protection

If you press the epilating head too hard onto your skin or when the rotating tweezers of the epilating head get blocked (e.g. by clothes etc.), the appliance stops and the speed setting indications start to flash red for 5 seconds.

- 1** Check if the rotating tweezers of the epilating head are blocked by turning the tweezers with your thumb until you can remove whatever is blocking the rotating tweezers.
- 2** Switch on the appliance again.

Do not press the appliance too hard onto the skin.

Using the Smart Tweezers

Your epilator comes with Smart Tweezers with integrated light for the easy removal of facial hair such as your eyebrows. The Smart Tweezers are protected by a case with integrated mirror which allows you to depilate wherever and whenever you want. The Smart Tweezers are supplied ready for use with 3 button batteries in the battery compartment.

Using the tweezers

- 1** Clean your eyebrows with skin tonic or alcohol to prevent eyebrow hair from slipping away between the tweezer arms.
- 2** Use a warm face cloth to soften the skin before tweezing. This makes hair removal easier.
- 3** Brush your eyebrows in the direction of hair growth.
- 4** Use an eye pencil to mark the desired shape of your eyebrows. Remove any hairs outside the marked shape.
- 5** Switch on the light by pressing the on/off button once.
- 6** Always pull out the hair in the direction of hair growth.

Note: Pull out the hairs one by one.

Do not use the Smart Tweezers to remove hairs that grow out of moles.

Do not point the light of the Smart Tweezers directly at your or somebody else's eyes.

Replacing the batteries

- 1** Open the battery and light compartment by turning the bottom anticlockwise with a coin (Fig. 18).

12 ENGLISH

- 2 Remove the old button batteries (Fig. 19).

Keep the button batteries out of the reach of children and pets. Button batteries present a potential choking hazard.

- 3 Insert the new button batteries with the negative side pointing forward into the battery and light compartment.

Note: The Smart Tweezers work on three alkaline button batteries type L736H or AG3 (dia. 7.8 x 3.4mm).

- 4 Screw the bottom back onto the battery and light compartment by turning it clockwise with a coin (Fig. 20).

Cleaning and maintenance

Note: Make sure the appliance is switched off and unplugged before you start to clean it.

Never use scouring pads, abrasive cleaning agents or aggressive liquids such as petrol or acetone to clean the appliance.

- Clean the appliance after each use to ensure better performance.
- Never rinse the appliance or the adapter under the tap (Fig. 21).
- Keep the appliance and the adapter dry (Fig. 22).

Cleaning the attachments

- 1 Remove the attachment from the epilating head (Fig. 8).
- 2 Remove loose hairs from the attachments with the cleaning brush (Fig. 23).
- 3 Rinse the attachments with lukewarm water while turning them (Fig. 24).
- 4 Dry the attachments before you use or store them.

Cleaning the epilating head of the epilator

- 1 Press the release knob (1) and remove the epilating head from the appliance (2) (Fig. 13).
- 2 Remove loose hairs with the cleaning brush (Fig. 25).
- 3 Rinse the epilating head under the tap for 5-10 seconds while turning the tweezers with your thumb (Fig. 26).

Note: Never try to detach the epilating tweezers from the epilating head.

- 4 Shake the epilating head firmly (Fig. 27).
- 5 Dry the epilating head thoroughly with a tea towel.

Note: Make sure the epilating head is completely dry before you place it back onto the appliance.

- 6 To reattach the epilating head, place it on the appliance and press it onto the appliance until it snaps home ('click') (Fig. 28).

Cleaning the sensitive area shaving head and the trimming comb

- 1 Remove the trimming comb, if attached, by pulling it off the sensitive area shaving head (Fig. 29).
- 2 Remove the sensitive area shaving head by pressing the release button (Fig. 30).
- 3 Remove the shaving unit from the sensitive area shaving head (Fig. 31).
- 4 Rinse the shaving unit, the sensitive area shaving head and the trimming comb under a lukewarm tap for 5 to 10 seconds while turning them a little (Fig. 32).

- 5** Shake the shaving unit, the sensitive area shaving head and the trimming comb firmly (Fig. 33).
- 6** Dry the sensitive area shaving head and the trimming comb thoroughly with a tea towel and let the shaving unit dry.

Note: Do not exert any pressure on the shaving unit to avoid damage.

- 7** Reattach the shaving unit to the sensitive area shaving head. Place the sensitive area shaving head on the appliance and press it onto the appliance until it snaps home ('click').

Note: Make sure the shaving unit is dry before you attach it to the sensitive area shaving head and the sensitive area shaving head is completely dry before you place it back onto the appliance.

- 8** Put the trimming comb on the sensitive area shaving head.

Tip: Rub a drop of sewing machine oil onto the shaving unit twice a year to extend the lifetime of the cutting element.

Storage

- Put the trimming comb on the sensitive area shaving head to prevent damage.
- Put the Smart Tweezers in their storage case after use.
- Store the appliance and the accessories in the luxury pouch.

Travel lock

The epilator has an integrated travel lock which prevents the appliance from accidentally being switched on during travel.

- 1** To activate the travel lock, press and hold the on/off button for 3 seconds until the speed setting indications flash white 2 times (Fig. 34).
 - ▶ The epilator starts running and stops immediately when the travel lock becomes active.
- 2** To deactivate the travel lock, press and hold the on/off button for 3 seconds until the speed setting indications flash white 2 times (Fig. 35).

Note: You can also insert the appliance plug into the inlet socket and the adapter into a wall socket to deactivate the travel lock.

- ▶ The travel lock is now deactivated and you can switch on the epilator again by pressing the on/off button.

Replacement

All parts of the appliance can be replaced. If you need to replace one or more parts, go to your Philips dealer or an authorised Philips service centre.

Sensitive area shaving head

If you use the sensitive area shaving head two or more times a week, we advise you to replace the shaving unit after one or two years or when it is damaged.

Environment

- Do not throw away the appliance with the normal household waste at the end of its life, but hand it in at an official collection point for recycling. By doing this, you help to preserve the environment (Fig. 36).

Epilator

- The built-in rechargeable batteries of the epilator contain substances that may pollute the environment. Always remove the batteries before you discard and hand in the epilator at an official collection point. Dispose of the batteries at an official collection point for batteries. If you

14 ENGLISH

have trouble removing the batteries, you can also take the appliance to a Philips service centre. The staff of this centre will remove the batteries for you and will dispose of them in an environmentally safe way (Fig. 37).

Removing the rechargeable batteries

- 1 Remove the adapter from the wall socket and let the appliance run until it stops.
- 2 Repeat this step until you can no longer switch on the epilator.
- 3 Remove the epilating head.
- 4 Remove the side panels of the epilator with a screwdriver (Fig. 38).
- 5 Insert a screwdriver into the groove next to the socket for the appliance plug in the bottom of the appliance. Turn the screwdriver to separate the two housing halves (Fig. 39).
- 6 Remove the battery holder with the batteries from the appliance. Remove the batteries from the battery holder with a screwdriver (Fig. 40).
- 7 Cut the wires with a pair of household scissors and dispose of the batteries properly (Fig. 41).

Do not allow metal objects to contact the rechargeable battery terminals or short-circuit the batteries.

Do not try to reassemble the appliance in order to connect it to the mains. This is dangerous.

Smart Tweezers

Non-rechargeable batteries contain substances that may pollute the environment. Do not throw away non-rechargeable batteries with the normal household waste, but dispose of them at an official collection point for batteries. Always remove the non-rechargeable batteries before you dispose of the Smart Tweezers with the normal household waste.

Guarantee and service

If you need service or information or if you have a problem, please visit the Philips website at www.philips.com or contact the Philips Consumer Care Centre in your country (you find its phone number in the worldwide guarantee leaflet). If there is no Consumer Care Centre in your country, go to your local Philips dealer.

Troubleshooting

This chapter summarises the most common problems you could encounter with the appliance. If you are unable to solve the problem with the information below, contact the Consumer Care Centre in your country.

Problem	Cause	Solution
Poor epilating results	You move the epilator in the wrong direction.	Move the appliance against the direction of hair growth, with the on/off button pointing in the direction in which you move the epilator.
	You place the epilating head on the skin at the wrong angle.	Make sure that you place the epilating head on the skin at an angle of 90° (see chapter 'Using the epilator').

Problem	Cause	Solution
	You have used a cream or depilatory cream prior to epilation.	Make sure your skin is clean, entirely dry and free from grease. Do not use any cream before you start epilating.
	The hairs are too short.	Sometimes the hairs are too short to be caught. The optimal length for easy removal of the hairs is 3-4mm. The hairs that are not caught during this session will be long enough to be removed when you epilate the next time. You can also try to catch the hairs by moving the appliance across the skin a few more times.
The epilator does not work.	The socket to which the appliance is connected does not work.	Make sure the socket is live. If you connect the epilator to a socket in a bathroom cabinet, you may need to switch on the light in the bathroom to make sure the socket is live. You could also use a working socket outside the bathroom.
	The overheat protection has been activated.	When the epilator stops working and the speed setting indications and the charging light start flashing red, the overheat protection has been activated. Let the appliance cool down. The lights stop flashing after 30 seconds. When the appliance has cooled down, switch on the epilator again. If the lights start flashing again, the epilator has not yet cooled down sufficiently.
	The rechargeable batteries are empty.	When the charging light lights up red continuously, the batteries are empty and you need to charge the appliance (see chapter 'Charging'). You can also run the appliance from the mains when the batteries are empty.
	The travel lock is active.	Press and hold the on/off button for 3 seconds until the speed setting indications flash white 2 times. The travel lock has been deactivated and you can press the on/off button to switch on the appliance. You can also insert the appliance plug into the inlet socket and the adapter into a wall socket to deactivate the travel lock.
	The overload protection is activated because something got caught between the rotating tweezers or because you pressed the appliance too hard onto your skin.	When the overload protection has been activated, the speed setting indications flash red. Turn the tweezers with your thumb until you can easily remove the item that is blocking the rotating tweezers. Then switch on the appliance again. Do not press the appliance too hard onto your skin.

Εισαγωγή

Συγχαρητήρια για την αγορά σας και καλώς ήρθατε στη Philips! Για να επωφεληθείτε πλήρως από την υποστήριξη που παρέχει η Philips, καταχωρήστε το προϊόν σας στην ιστοσελίδα www.philips.com/welcome.

Αυτή η αποτριχωτική συσκευή SatinPerfect της Philips κατασκευάζεται στην Ευρώπη σύμφωνα με τα υψηλότερα πρότυπα μηχανικής και έχει σχεδιαστεί με βάση τις ανάγκες της σημερινής γυναίκας. Παγκοσμίως πολλές γυναίκες συμμετέχουν στις διαδικασίες ανάπτυξης και παραγωγής μας. Μας παρέχουν σχόλια σχετικά με τις ιδέες και τα προϊόντα μας ώστε να σας προσφέρουμε τη βέλτιστη δυνατή ποιότητα.

Η νέα σας αποτριχωτική συσκευή SatinPerfect σας παρέχει την καλύτερη απόδοση στην αφαίρεση της ανεπιθύμητης τριχοφυΐας, χαρίζοντάς σας με ευχάριστο τρόπο μοναδική απαλότητα που διαρκεί.

Η αποτριχωτική συσκευή έχει υπέροχο σχήμα και έξυπνες λειτουργίες. Η αποτριχωτική κεφαλή καλύπτει μεγάλη περιοχή του δέρματος και οι κεραμικές τσιμπίδες της πιάνουν ακόμη και τις πιο λεπτές τρίχες για την εύκολη αφαίρεσή τους. Οι τρίχες αφαιρούνται από τη ρίζα και ξαναφυτρώνουν πιο λεπτές και λιγότερο ορατές.

Το SatinPerfect είναι εργονομικά σχεδιασμένο. Έχει μικρή καμπύλη και έτσι ακολουθεί με ακρίβεια το περίγραμμα του σώματός σας. Ο ρυθμιστής ταχύτητάς του διατηρεί την ιδανική ταχύτητα αποτρίχωσης για τέλεια αποτελέσματα, ανεξάρτητα από το πόσο δυνατά ή μαλακά πιέζετε τη συσκευή. Το Opti-light σας βοηθά να στοχεύσετε και να αφαιρέσετε ακόμη και τις πιο δύσκολες τρίχες ώστε να μην σας ξεφύγει ούτε μία.

Το ενεργό σύστημα ανόρθωσης τριχών με ενεργό μασάζ στο μπροστινό μέρος δονεί απαλά και ανασηκώνει τις επίπεδες τρίχες, έτσι ώστε να αφαιρούνται εύκολα. Ο κύλινδρος ενεργού μασάζ στο πίσω μέρος του ενεργού συστήματος ανόρθωσης τριχών, δονείται χαρίζοντας στο δέρμα μια ευχάριστη αίσθηση, που ανακουφίζει από την ενόχληση της αποτρίχωσης.

Το κάλυμμα βέλτιστης απόδοσης που περιστρέφεται στον άξονα του, ώστε να ακολουθεί τις καμπύλες του σώματός σας για βέλτιστη επαφή με το δέρμα, σας παρέχει βέλτιστη απόδοση στην αφαίρεση των τριχών και τέλεια πόδια με απαλότητα μακράς διάρκειας.

Το σύστημα τεντώματος δέρματος του καλύμματος βέλτιστης απόδοσης τεντώνει το δέρμα απαλά ώστε ακόμη και οι πιο κοντές τρίχες να μπορούν να αφαιρεθούν.

Γενική περιγραφή (Εικ. 1)

- A** Αποτριχωτική συσκευή
- B** Λυχνία φόρτισης
- C** Ενδείξεις ρύθμισης ταχύτητας
- D** Κουμπί on/off
 - Πιέστε μία φορά για ταχύτητα II
 - Πιέστε δύο φορές για ταχύτητα I
- E** Opti-light
- F** Αποτριχωτική κεφαλή
- G** Κουμπί απασφάλισης
- H** Κάλυμμα βασικής αποτρίχωσης
- I** Κεφαλή ξυρίσματος ευαίσθητης περιοχής
- J** Οδηγός κοπής
- K** Κάλυμμα βέλτιστης απόδοσης
- L** Σύστημα τεντώματος δέρματος
- M** Ενεργό σύστημα ανόρθωσης τριχών με ενεργό μασάζ
- N** Κύλινδρος ενεργού μασάζ
- O** Ενεργό σύστημα ανόρθωσης τριχών
- P** Βουρτσάκι καθαρισμού
- Q** Μετασχηματιστής
- R** Εξυπνο τσιμπιδάκι

- 1 Φως στο έξυπνο τσιμπιδάκι
 - 2 Κουμπί on/off για φως
 - 3 Θήκη μπαταρίας και φωτός
 - 4 Θήκη αποθήκευσης για το έξυπνο τσιμπιδάκι
 - 5 Μπαταρίες τύπου κουμπιού
- S** Θήκη πολυτελείας (δεν απεικονίζεται)

Σημαντικό

Διαβάστε αυτό το εγχειρίδιο χρήσης προσεκτικά πριν χρησιμοποιήσετε τη συσκευή και το έξυπνο τσιμπιδάκι και φυλάξτε το για μελλοντική αναφορά.

Κίνδυνος

- Διατηρείτε τη συσκευή και τον μετασχηματιστή στεγνά.
- Μη χρησιμοποιείτε τη συσκευή κοντά ή πάνω από νιπτήρα ή μπανιέρα που περιέχει νερό (Εικ. 2).
- Μην χρησιμοποιείτε τη συσκευή στην μπανιέρα ή στο ντους (Εικ. 3).
- Εάν χρησιμοποιείτε την αποτριχωτική συσκευή στο μπάνιο, μην χρησιμοποιείτε καλώδιο επέκτασης (Εικ. 4).

Προειδοποίηση

- Φορτίζετε την αποτριχωτική συσκευή μόνο με τον μετασχηματιστή που παρέχεται.
- Μην χρησιμοποιείτε τη συσκευή, τα εξαρτήματα ή το μετασχηματιστή, εάν έχουν φθαρεί ή σπάσει προς αποφυγή τραυματισμού. Μην χρησιμοποιείτε το έξυπνο τσιμπιδάκι, εάν έχει φθαρεί ή σπάσει προς αποφυγή τραυματισμού.
- Εάν ο μετασχηματιστής υποστεί βλάβη, θα πρέπει να αντικατασταθεί μόνο με αυθεντικό προς αποφυγή κινδύνου.
- Μην κόψετε το βύσμα του μετασχηματιστή για να το αντικαταστήσετε με άλλο, καθώς αυτό προκαλεί επικίνδυνες καταστάσεις.
- Ελέγξτε εάν η τάση που αναγράφεται στο μετασχηματιστή αντιστοιχεί στη τοπική τάση ρεύματος προτού συνδέσετε τη συσκευή.
- Η συσκευή δεν προορίζεται για χρήση από άτομα (συμπεριλαμβανομένων των παιδιών) με περιορισμένες σωματικές, αισθητήριες ή διανοητικές ικανότητες ή από άτομα χωρίς εμπειρία και γνώση, εκτός και εάν τη χρησιμοποιούν υπό επιτήρηση ή έχουν λάβει οδηγίες σχετικά με τη χρήση της συσκευής από άτομο υπεύθυνο για την ασφάλειά τους.
- Τα παιδιά θα πρέπει να επιβλέπονται προκειμένου να διασφαλιστεί ότι δεν θα παίζουν με τη συσκευή.
- Το έξυπνο τσιμπιδάκι δεν είναι παιχνίδι. Κρατήστε το μακριά από παιδιά

Προσοχή

- Η αποτριχωτική συσκευή προορίζεται μόνο για την αφαίρεση της γυναικείας τριχοφυΐας σε περιοχές κάτω από το λαιμό μέσω της αποτρίχωσης (πόδια) και του ξυρίσματος (μασχάλες και περιοχή μπικίνι). Μην χρησιμοποιείτε την αποτριχωτική συσκευή για κανέναν άλλο σκοπό.
- Για λόγους υγιεινής, η αποτριχωτική συσκευή και το έξυπνο τσιμπιδάκι θα πρέπει να χρησιμοποιείται μόνο από ένα άτομο.
- Για να αποφύγετε βλάβες και τραυματισμούς, όταν η αποτριχωτική συσκευή είναι **σε λειτουργία** (με ή χωρίς εξάρτημα) να την κρατάτε μακριά από μαλλιά, φρύδια, βλεφαρίδες, ρούχα, κλωστές, καλώδια, βούρτσες, κλπ.
- Μην χρησιμοποιείτε την αποτριχωτική συσκευή και το έξυπνο τσιμπιδάκι σε ερεθισμένο δέρμα ή σε δέρμα με κισσούς, εξανθήματα, σπυράκια, κρεατοελιές (με τρίχες) ή πληγές χωρίς να συμβουλευτείτε πρώτα το γιατρό σας.
- Άτομα με μειωμένη ανοσοαπόκριση ή άτομα που πάσχουν από σακχαρώδη διαβήτη, αιμοφιλία ή ανοσοανεπάρκεια θα πρέπει επίσης να συμβουλευούνται πρώτα το γιατρό τους.

18 ΕΛΛΗΝΙΚΑ

- Το δέρμα σας μπορεί να κοκκινίσει και να ερεθιστεί ελαφρά τις πρώτες φορές που θα χρησιμοποιήσετε την αποτριχωτική. Αυτό το φαινόμενο είναι απολύτως φυσιολογικό και εξαφανίζεται σύντομα. Όσο χρησιμοποιείτε τη συσκευή, το δέρμα σας συνηθίζει στην αποτρίχωση, οι ερεθισμοί μειώνονται και οι τρίχες ξαναβγαίνουν πιο λεπτές και πιο απαλές. Αν ο ερεθισμός δεν εξαφανιστεί μέσα σε τρεις ημέρες, σας συνιστούμε να ζητήσετε ιατρική συμβουλή.
- Μην κοιτάτε απευθείας το Opti-light για να μην θαμπώσουν τα μάτια σας από το φως.
- Μην χρησιμοποιείτε την αποτριχωτική κεφαλή της αποτριχωτικής συσκευής χωρίς κάποιο εξάρτημα.
- Μην εκθέτετε την αποτριχωτική συσκευή σε θερμοκρασίες χαμηλότερες από 5 °C ή υψηλότερες από 35 °C.
- Χρησιμοποιείτε το έξυπνο τσιμπίδακι μόνο με αλκαλικές μπαταρίες τύπου κουμπιού L763H ή AG3 (διαμ. 7,8 x 3,4 χιλ.).

Ηλεκτρομαγνητικά Πεδία (EMF)

Η συγκεκριμένη συσκευή της Philips συμμορφώνεται με όλα τα πρότυπα που αφορούν τα ηλεκτρομαγνητικά πεδία (EMF). Εάν γίνει σωστός χειρισμός και σύμφωνα με τις οδηγίες του παρόντος εγχειριδίου χρήσης, η συσκευή είναι ασφαλής στη χρήση βάσει των επιστημονικών αποδείξεων που είναι διαθέσιμες μέχρι σήμερα.

Φόρτιση

Φόρτιση της αποτριχωτικής συσκευής

Η φόρτιση της αποτριχωτικής συσκευής διαρκεί περίπου 1 ώρα. Όταν η αποτριχωτική συσκευή είναι πλήρως φορτισμένη, επιτρέπει έως και 40 λεπτά αυτονομίας.

1 Απενεργοποιήστε τη συσκευή πριν τη φόρτιση.

2 Εισαγάγετε το βύσμα της συσκευής στην υποδοχή και συνδέστε το μετασχηματιστή στην πρίζα (Εικ. 5).

• Η λυχνία φόρτισης αναβοσβήνει με λευκό χρώμα υποδεικνύοντας ότι η αποτριχωτική συσκευή φορτίζεται (Εικ. 6).

• Όταν η μπαταρία φορτιστεί πλήρως, η λυχνία φόρτισης ανάβει συνεχόμενα με λευκό χρώμα για 20 λεπτά και, έπειτα, σβήνει (Εικ. 7).

Ένδειξη χαμηλής ισχύος μπαταρίας

1 Όταν οι μπαταρίες είναι σχεδόν άδειες, η λυχνία φόρτισης αρχίζει να αναβοσβήνει με κόκκινο χρώμα.

Όταν η λυχνία φόρτισης αρχίσει να αναβοσβήνει με κόκκινο χρώμα, οι μπαταρίες περιέχουν ακόμη αρκετή ενέργεια για λίγα λεπτά λειτουργίας.

2 Όταν οι μπαταρίες είναι εντελώς άδειες, η λυχνία φόρτισης ανάβει συνεχόμενα με κόκκινο φως.

Για να φορτίσετε την αποτριχωτική συσκευή, ακολουθήστε τα βήματα 1 και 2 στην παραπάνω ενότητα 'Φόρτιση της αποτριχωτικής συσκευής'. Μπορείτε, επίσης, να λειτουργήσετε τη συσκευή με ρεύμα εισάγοντας το βύσμα της συσκευής στην υποδοχή της συσκευής και συνδέοντας το μετασχηματιστή σε μια πρίζα.

Συμβουλές αποτρίχωσης

Πριν ξεκινήσετε την αποτρίχωση

Σημείωση: Καθαρίζετε πάντα την αποτριχωτική κεφαλή της συσκευής πριν να τη χρησιμοποιήσετε για πρώτη φορά.

- Όταν χρησιμοποιήσετε την αποτριχωτική συσκευή για πρώτη φορά, σας συμβουλεύουμε να τη δοκιμάσετε πρώτα σε περιοχή με αραιή τριχοφυΐα προκειμένου να συνηθίσετε τη διαδικασία της αποτρίχωσης.
- Σας συμβουλεύουμε να κάνετε αποτρίχωση το βράδυ πριν κοιμηθείτε, καθώς ο ερεθισμός του δέρματος συνήθως υποχωρεί κατά τη διάρκεια της νύχτας.
- Η αποτρίχωση είναι ευκολότερη μετά από μπάνιο ή ντους. Βεβαιωθείτε ότι το δέρμα σας είναι εντελώς στεγνό πριν αρχίσετε την αποτρίχωση.
- Βεβαιωθείτε ότι το δέρμα σας είναι καθαρό, εντελώς στεγνό και χωρίς λιπαρότητα. Μη χρησιμοποιείτε κανέναν είδους κρέμα πριν από την αποτρίχωση.
- Η αποτρίχωση είναι πιο εύκολη και πιο άνετη όταν οι τρίχες έχουν το ιδανικό μήκος των 3-4 χιλ. Εάν οι τρίχες είναι πιο μακριές, σας συνιστούμε είτε να ξυρισθείτε πρώτα και να αποτριχωθείτε μετά από 1 ή 2 εβδομάδες όταν οι τρίχες θα είναι πιο κοντές, είτε να χρησιμοποιήσετε την ξυριστική κεφαλή για την ευαίσθητη περιοχή με τον οδηγό κοπής ώστε να κόψετε τις τρίχες σε αυτό το ιδανικό μήκος.
- Καθώς όλες οι τρίχες σας δεν αναπτύσσονται με το ίδιο ρυθμό, είναι καλύτερα να κάνετε αποτρίχωση καθημερινά για λίγες ημέρες όταν ξεκινήσετε την αποτρίχωση. Αυτό θα σας βοηθήσει να απαλλαγείτε από την τριχοφυΐα για μεγαλύτερο διάστημα, καθώς οι τρίχες σας θα ξεκινήσουν να ξαναφυτρώνουν με τον ίδιο ρυθμό.
- Η αποτριχωτική συσκευή παρέχεται με το εξάρτημα βασικής αποτρίχωσης προσαρτημένο. Εάν επιθυμείτε να την χρησιμοποιήσετε με το εξάρτημα βέλτιστης απόδοσης ή το ενεργό σύστημα ανόρθωσης τριχών με ενεργό μασάζ, αφαιρέστε το εξάρτημα βασικής αποτρίχωσης τραβώντας το από τη συσκευή και συνδέστε το εξάρτημα βέλτιστης απόδοσης ή το ενεργό σύστημα ανόρθωσης τριχών με ενεργό μασάζ (δείτε το κεφάλαιο 'Χρήση της αποτριχωτικής συσκευής', ενότητα 'Αποτρίχωση των ποδιών με την αποτριχωτική συσκευή').

Κατά τη διάρκεια της αποτρίχωσης

- Η αποτριχωτική συσκευή μπορεί να χρησιμοποιηθεί χωρίς καλώδιο με τις επαναφορτιζόμενες μπαταρίες, αλλά μπορεί, επίσης, να χρησιμοποιηθεί με το μετασχηματιστή συνδεδεμένο στην πρίζα.
- Κατά την αποτρίχωση, τεντώστε το δέρμα με το ελεύθερο χέρι σας. Με αυτόν τον τρόπο, ανασκώνονται οι τρίχες και ελαχιστοποιείται η αίσθηση τραβήγματος.
- Για βέλτιστη απόδοση, τοποθετήστε την αποτριχωτική κεφαλή πάνω στο δέρμα σε γωνία 90°, με το κουμπί on/off να δείχνει προς την κατεύθυνση προς την οποία θα μετακινήσετε τη συσκευή. Μετακινήστε τη συσκευή κατά μήκος του δέρματος, αντίθετα από τη φορά των τριχών, με αργή και συνεχή κίνηση χωρίς να ασκείτε πίεση.
- Σε ορισμένες περιοχές, οι τρίχες μπορεί να αναπτύσσονται προς διαφορετικές κατευθύνσεις. Σε αυτή την περίπτωση, θα βοηθούσε η μετακίνηση της συσκευής προς διαφορετικές κατευθύνσεις για την επίτευξη βέλτιστων αποτελεσμάτων.
- Εάν ιδρώσετε κατά τη διάρκεια της αποτρίχωσης, σκουπίστε το δέρμα σας ταμποναριστά με ένα μαλακό πανί.
- Όταν χρησιμοποιείτε το κάλυμμα βέλτιστης απόδοσης, βεβαιωθείτε ότι και οι δύο κύλινδροι του συστήματος τεντώματος του δέρματος παραμένουν πάντα σε επαφή με το δέρμα για βέλτιστο αποτέλεσμα.
- Όταν χρησιμοποιείτε το ενεργό σύστημα ανόρθωσης τριχών με ενεργό μασάζ, βεβαιωθείτε ότι ο κύλινδρος ενεργού μασάζ και το ενεργό σύστημα ανόρθωσης τριχών παραμένουν πάντα σε επαφή με το δέρμα. Ο κύλινδρος μασάζ διεγείρει και χαλαρώνει το δέρμα για απαλότερη αποτρίχωση.

Μετά την αποτρίχωση

- Για να καταπραΰνετε το δέρμα, σας συνιστούμε να απλώσετε μια ενυδατική κρέμα αμέσως μετά ή λίγες ώρες μετά την αποτρίχωση, ανάλογα με το τι είναι καλύτερο για το δέρμα σας.

- Η τακτική χρήση ενός σφουγγαριού ή μιας κρέμας απολέπισης (π.χ. κατά τη διάρκεια του ντους) 24 ώρες μετά την αποτρίχωση βοηθά στο να μην γυρίζουν οι τρίχες προς τα μέσα, καθώς η απαλή δράση της απολέπισης αφαιρεί την ανώτερη στιβάδα της επιδερμίδας και οι λεπτές τρίχες μπορούν να περάσουν μέσα από την επιφάνεια του δέρματος.

Χρήση της αποτριχωτικής συσκευής

Αποτρίχωση των ποδιών με την αποτριχωτική συσκευή

- Εάν έχετε ήδη κάποια εμπειρία με την αποτρίχωση, μπορείτε απλά να χρησιμοποιήσετε την αποτριχωτική κεφαλή με το κάλυμμα βασικής αποτρίχωσης.
- Εάν δεν έχετε εξοικειωθεί με την αποτρίχωση, σας συνιστούμε να ξεκινήσετε την αποτρίχωση με το κάλυμμα βέλτιστης απόδοσης. Αυτό το κάλυμμα εξασφαλίζει τη βέλτιστη επαφή με το δέρμα, ενώ η περιστρεφόμενη στον άξονα της κεφαλής του τεντώνει το δέρμα και προετοιμάζει τις τρίχες για την αποτρίχωση.
- Εάν οι τρίχες σας βρίσκονται παράλληλα με το δέρμα, συνιστούμε να χρησιμοποιήσετε το ενεργό σύστημα ανόρθωσης τριχών με ενεργό μασάζ. Αυτό, δεν ανορθώνει μόνο τις τρίχες, αλλά ο κύλινδρος ενεργού μασάζ ελαχιστοποιεί επίσης την αίσθηση τραβήγματος που προκαλεί η αποτρίχωση.

Σημείωση: Αφαιρέστε το εξάρτημα βασικής αποτρίχωσης πριν τοποθετήσετε το εξάρτημα βέλτιστης απόδοσης ή το ενεργό σύστημα ανόρθωσης τριχών με ενεργό μασάζ.

- 1** Πιέστε και τις δύο πλευρές του εξαρτήματος βασικής αποτρίχωσης (1) και τραβήξτε το από τη συσκευή (2) (Εικ. 8).

- 2** Τοποθετήστε το επιθυμητό εξάρτημα στην αποτριχωτική κεφαλή (Εικ. 9).

Σημείωση: Η διαδικασία τοποθέτησης των εξαρτημάτων στη συσκευή είναι ίδια για όλα τα εξαρτήματα.

- 3** Πιέστε μια φορά το κουμπί on/off για να ενεργοποιήσετε την αποτριχωτική συσκευή.
 - ▶ Η αποτριχωτική συσκευή αρχίζει να λειτουργεί στην ταχύτητα II, η οποία είναι η αποτελεσματικότερη ταχύτητα για αποτρίχωση. Ανάβει η κάτω ένδειξη ρύθμισης ταχύτητας II (Εικ. 10).
 - ▶ Εάν επιθυμείτε να χρησιμοποιήσετε την ταχύτητα I, πιέστε το κουμπί on/off άλλη μία φορά. Ανάβει η ένδειξη ρύθμισης μέγιστης ταχύτητας I (Εικ. 11).

Συμβουλή: Η ταχύτητα I είναι κατάλληλη για περιοχές με λιγότερη τριχοφυΐα, για δύσκολες περιοχές και για περιοχές όπου υπάρχουν οστά ακριβώς κάτω από το δέρμα, όπως τα γόνατα και οι αστράγαλοι.

- ▶ Όταν πιέζετε το κουμπί on/off για τρίτη φορά, η αποτριχωτική συσκευή απενεργοποιείται.

- 4** Τεντώστε το δέρμα με το ελεύθερο χέρι σας για να ανασηκωθούν οι τρίχες.

- 5** Τοποθετήστε την αποτριχωτική κεφαλή σε γωνία 90° επάνω στο δέρμα με το κουμπί on/off να είναι στραμμένο στην κατεύθυνση, προς την οποία επιθυμείτε να μετακινήσετε τη συσκευή (Εικ. 12).

- 6** Μετακινήστε τη συσκευή αργά πάνω στο δέρμα, αντίθετα από τη φορά των τριχών.
 - Όταν χρησιμοποιείτε το εξάρτημα βέλτιστης απόδοσης, βεβαιωθείτε ότι και οι δύο κύλινδροι της διάταξης τεντώματος του δέρματος παραμένουν πάντα σε επαφή με το δέρμα για τα καλύτερα δυνατά αποτελέσματα.
 - Όταν χρησιμοποιείτε το ενεργό σύστημα ανόρθωσης τριχών με ενεργό μασάζ, βεβαιωθείτε ότι ο κύλινδρος ενεργού μασάζ και το ενεργό σύστημα ανόρθωσης τριχών

παραμένουν πάντα σε επαφή με το δέρμα. Ο κύλινδρος μασάζ διεγείρει και χαλαρώνει το δέρμα για απαλότερη αποτρίχωση.

Ξύρισμα στις μασχάλες και στην περιοχή του μπικίνι

Χρησιμοποιήστε την ξυριστική κεφαλή για την ευαίσθητη περιοχή για να ξυρίσετε ευαίσθητες περιοχές, όπως οι μασχάλες και η περιοχή μπικίνι.

- 1** Πιέστε το κουμπί απασφάλισης (1) και αφαιρέστε την αποτρίχωτική κεφαλή από την αποτρίχωτική συσκευή (2) (Εικ. 13).

Σημείωση: Η ξυριστική κεφαλή για την ευαίσθητη περιοχή μπορεί να αφαιρεθεί με τον ίδιο τρόπο.

- 2** Τοποθετήστε την ξυριστική κεφαλή για την ευαίσθητη περιοχή στη συσκευή και πιέστε την μέχρι να εφαρμόσει σωστά ('κλικ'). (Εικ. 14)

- 3** Ενεργοποιήστε τη συσκευή.

Σημείωση: Χρησιμοποιείτε την ταχύτητα II όταν ξυρίζετε με την ξυριστική κεφαλή για την ευαίσθητη περιοχή.

- 4** Τεντώνετε το δέρμα με το ελεύθερό σας χέρι. Όταν ξυρίζετε τις μασχάλες, σηκώνετε το χέρι σας για να τεντωθεί το δέρμα.
- 5** Τοποθετείτε την ξυριστική κεφαλή για την ευαίσθητη περιοχή σε γωνία 90° επάνω στο δέρμα σας με το κουμπί on/off στραμμένο στην κατεύθυνση, προς την οποία επιθυμείτε να μετακινήσετε τη συσκευή.
- 6** Μετακινήστε τη συσκευή αργά, αντίθετα από τη φορά των τριχών.

Σημείωση: Βεβαιωθείτε ότι τη μονάδα ξυρίσματος με ενσωματωμένο φαβοριτοκόπτη είναι πάντα σε πλήρη επαφή με το δέρμα.

- Ξυρίστε την περιοχή του μπικίνι όπως φαίνεται στην εικόνα (Εικ. 15).
- Ξυρίστε τις μασχάλες όπως φαίνεται στην εικόνα. Μετακινήστε τη συσκευή προς διαφορετικές κατευθύνσεις. (Εικ. 16)

- 7** Όταν ολοκληρώσετε το ξύρισμα, απενεργοποιήστε τη συσκευή και καθαρίστε την ξυριστική κεφαλή για την ευαίσθητη περιοχή (βλ. ενότητα 'Καθαρισμός και συντήρηση').
- 8** Τοποθετείτε τον οδηγό κοπής στην ξυριστική κεφαλή για την ευαίσθητη περιοχή όταν αποθηκεύετε τη συσκευή.

Κοπή με τη οδηγό κοπής

Χρησιμοποιείτε την ξυριστική κεφαλή για την ευαίσθητη περιοχή με τον οδηγό κοπής προσαρτημένο για την περιποίηση της γραμμής του μπικίνι σας σε μήκος 3 χιλ. Μπορείτε, επίσης, να χρησιμοποιήσετε τον οδηγό κοπής για να κόψετε τις μακριές τρίχες (μήκους άνω των 10 χιλ.) στις μασχάλες και τη γραμμή του μπικίνι.

- 1** Πιέστε το κουμπί απασφάλισης (1) και αφαιρέστε την αποτρίχωτική κεφαλή από την αποτρίχωτική συσκευή (2) (Εικ. 13).
- 2** Τοποθετήστε την ξυριστική κεφαλή για την ευαίσθητη περιοχή στη συσκευή και πιέστε την μέχρι να εφαρμόσει σωστά ('κλικ') (Εικ. 14).
- 3** Τοποθετήστε τον οδηγό κοπής στην ξυριστική κεφαλή για την ευαίσθητη περιοχή (Εικ. 17).
- 4** Ακολουθήστε τα βήματα 3 έως 6 στην ενότητα 'Ξύρισμα στις μασχάλες και τη γραμμή του μπικίνι'.

Σημείωση: Βεβαιωθείτε ότι η επιφάνεια του οδηγού κοπής παραμένει πάντα σε πλήρη επαφή με το δέρμα για να διασφαλίσετε ομοιόμορφο αποτέλεσμα κοπής.

- 5** Όταν ολοκληρώσετε την κοπή, απενεργοποιήστε τη συσκευή και καθαρίστε την ξυριστική κεφαλή για την ευαίσθητη περιοχή και τον οδηγό κοπής (βλ. ενότητα 'Καθαρισμός και συντήρηση').
- 6** Αφήνετε τον οδηγό κοπής στην ξυριστική κεφαλή όταν αποθηκεύετε τη συσκευή.

Χρήση μέσω ρεύματος

Για να λειτουργήσετε την αποτριχωτική συσκευή με ρεύμα, απενεργοποιήστε τη συσκευή και συνδέστε την στην πρίζα.

Προστασία από υπερθέρμανση

Η αποτριχωτική συσκευή διαθέτει ενσωματωμένη προστασία από την υπερθέρμανση, η οποία αποτρέπει την υπερθέρμανση της συσκευής.

Σημείωση: Για να αποφύγετε την υπερθέρμανση της αποτριχωτικής συσκευής, μην πιέζετε τη συσκευή πολύ δυνατά στο δέρμα. Η αποτριχωτική συσκευή λειτουργεί καλύτερα όταν την μετακινείτε πάνω στο δέρμα σας χωρίς να ασκείτε πίεση.

- 1** Εάν ενεργοποιηθεί η προστασία από την υπερθέρμανση, η συσκευή απενεργοποιείται αυτόματα, οι ενδείξεις ρύθμισης ταχύτητας και η λυχνία φόρτισης αναβοσβήνουν με κόκκινο χρώμα.
- 2** Αφήστε τη συσκευή να κρυώσει.
 - ▶ Η λυχνία σταματά να αναβοσβήνει μετά από 30 δευτερόλεπτα.
- 3** Όταν η συσκευή κρυώσει, μπορείτε να την ενεργοποιήσετε ξανά. Εάν η λυχνία ξεκινήσει να αναβοσβήνει ξανά με κόκκινο χρώμα, η συσκευή δεν έχει κρυώσει ακόμη εντελώς.

Προστασία από υπερφόρτωση

Εάν πιέσετε την αποτριχωτική κεφαλή πολύ δυνατά στο δέρμα σας ή όταν οι περιστρεφόμενες τσιμπίδες της αποτριχωτικής κεφαλής μπλοκάρουν (π.χ. από ρούχα, κ.λπ.), η συσκευή σταματά και οι ενδείξεις ρύθμισης ταχύτητας αρχίζουν να αναβοσβήνουν με κόκκινο χρώμα για 5 δευτερόλεπτα.

- 1** Ελέγξτε εάν οι περιστρεφόμενες τσιμπίδες της αποτριχωτικής κεφαλής έχουν μπλοκάρει, γυρίζοντας τις τσιμπίδες με τον αντίχειρά σας, μέχρι να μπορείτε να αφαιρέσετε αυτό που μπλοκάρει τις περιστρεφόμενες τσιμπίδες.
- 2** Ενεργοποιήστε ξανά τη συσκευή.

Μην πιέζετε τη συσκευή πολύ δυνατά επάνω στο δέρμα.

Πώς να χρησιμοποιήσετε το έξυπνο τσιμπιδάκι

Η αποτριχωτική σας συσκευή συνοδεύεται από έξυπνο τσιμπιδάκι με ενσωματωμένο φως για την εύκολη αφαίρεση των τριχών του προσώπου όπως τα φρύδια σας. Το έξυπνο τσιμπιδάκι προστατεύεται από μια θήκη με ενσωματωμένο καθρέπτη, ο οποίος σας παρέχει τη δυνατότητα να κάνετε αποτρίχωση όπου και όποτε επιθυμείτε. Το έξυπνο τσιμπιδάκι παρέχεται έτοιμο για χρήση με 3 μπαταρίες τύπου κουμπιού στη θήκη μπαταριών.

Πώς να χρησιμοποιήσετε το τσιμπιδάκι

- 1** Καθαρίστε τα φρύδια σας με τονωτική λοσιόν ή οινόπνευμα για να μην γλιστρούν οι τρίχες από το τσιμπιδάκι.
- 2** Χρησιμοποιήστε μια ζεστή πετσέτα προσώπου για να μαλακώσετε το δέρμα πριν να βγάλετε τα φρύδια σας. Έτσι διευκολύνετε την αφαίρεση τριχών.
- 3** Βουρτσίστε τα φρύδια σας προς την κατεύθυνση της φοράς των τριχών.

- 4 Χρησιμοποιήστε ένα μολύβι ματιών για να σημειώσετε το επιθυμητό σχήμα των φρυδιών σας. Αφαιρέστε τις τρίχες που βρίσκονται έξω από το σημειωμένο σχήμα.
- 5 Ενεργοποιήστε το φως πατώντας μία φορά το κουμπί on/off.
- 6 Αφαιρείτε πάντα τις τρίχες, σύμφωνα με τη φορά των τριχών.

Σημείωση: Αφαιρείτε τις τρίχες μία-μία.

Μην χρησιμοποιείτε το έξυπνο τσιμπιδάκι για να αφαιρέσετε τρίχες που βγαίνουν από σπίλους.

Μην κατευθύνετε το φως από το έξυπνο τσιμπιδάκι απευθείας στα μάτια σας ή στα μάτια τρίτων.

Αντικατάσταση των μπαταριών

- 1 Ανοίξτε τη θήκη μπαταριών και φωτός γυρίζοντας το κάτω μέρος αριστερόστροφα με ένα νόμισμα (Εικ. 18).
- 2 Αφαιρέστε τις παλιές μπαταρίες τύπου κουμπιού (Εικ. 19).

Κρατήστε τις μπαταρίες τύπου κουμπιού μακριά από παιδιά και κατοικίδια. Οι μπαταρίες τύπου κουμπιού είναι επικίνδυνες εάν καταποθούν.

- 3 Βάλτε τις νέες μπαταρίες τύπου κουμπιού με την αρνητική πλευρά να είναι στραμμένη προς τα εμπρός στη θήκη μπαταριών και φωτός.

Σημείωση: Το έξυπνο τσιμπιδάκι λειτουργεί με τρεις αλκαλικές μπαταρίες τύπου κουμπιού L736H ή AG3 (διαμ. 7,8 x 3,4 χιλ.).

- 4 Βιδώστε το κάτω μέρος στη θήκη μπαταριών και φωτός γυρίζοντάς το δεξιόστροφα με ένα νόμισμα (Εικ. 20).

Καθαρισμός και συντήρηση

Σημείωση: Βεβαιωθείτε ότι η συσκευή είναι απενεργοποιημένη και αποσυνδεδεμένη από την πρίζα πριν αρχίσετε να την καθαρίζετε.

Μην χρησιμοποιείτε ποτέ συρμάτινα σφουγγαράκια, στιλβωτικά καθαριστικά ή υγρά όπως πετρέλαιο ή ασετόν για τον καθαρισμό της συσκευής.

- Καθαρίζετε τη συσκευή μετά από κάθε χρήση για να εξασφαλίσετε την καλύτερη δυνατή απόδοση.
- Μην ξεπλένετε ποτέ τη συσκευή ή το μετασχηματιστή με νερό βρύσης (Εικ. 21).
- Διατηρείτε τη συσκευή και τον μετασχηματιστή στεγνά (Εικ. 22).

Καθαρισμός των εξαρτημάτων

- 1 Αφαιρέστε το εξάρτημα από την αποτριχωτική κεφαλή (Εικ. 8).
- 2 Απομακρύνετε τις σκόρπιες τρίχες από τα εξαρτήματα με το βουρτσάκι καθαρισμού (Εικ. 23).
- 3 Ξεπλύνετε τα εξαρτήματα με χλιαρό νερό, περιστρέφοντάς τα (Εικ. 24).
- 4 Στεγνώστε τα εξαρτήματα πριν τα χρησιμοποιήσετε ή τα αποθηκεύσετε.

Καθαρισμός της αποτριχωτικής κεφαλής

- 1 Πιέστε το διακόπτη απασφάλισης (1) και αφαιρέστε την αποτριχωτική κεφαλή από τη συσκευή (2) (Εικ. 13).

- 2 Απομακρύνετε τις σκόρπιες τρίχες με το βουρτσάκι καθαρισμού (Εικ. 25).
- 3 Ξεπλύνετε την αποτριχωτική κεφαλή με νερό βρύσης για 5-10 δευτερόλεπτα, ενώ γυρίζετε τις τοιμπίδες με τον αντίχειρά σας (Εικ. 26).

Σημείωση: Μην προσπαθήσετε ποτέ να βγάλετε τις τοιμπίδες από την αποτριχωτική κεφαλή.

- 4 Τινάζτε σταθερά την αποτριχωτική κεφαλή (Εικ. 27).
- 5 Στεγνώστε την αποτριχωτική κεφαλή πολύ καλά με μια πετσέτα κουζίνας.

Σημείωση: Βεβαιωθείτε ότι η αποτριχωτική κεφαλή είναι τελείως στεγνή πριν την τοποθετήσετε ξανά στη συσκευή.

- 6 Για να επανατοποθετήσετε την αποτριχωτική κεφαλή, τοποθετήστε την στη συσκευή και πιέστε την μέχρι να εφαρμόσει σωστά ('κλικ') (Εικ. 28).

Καθαρισμός της ξυριστικής κεφαλής για την ευαίσθητη περιοχή και του οδηγού κοπής

- 1 Αφαιρέστε τον οδηγό κοπής, εάν είναι προσαρτημένος, τραβώντας τον από την ξυριστική κεφαλή για την ευαίσθητη περιοχή (Εικ. 29).
- 2 Αφαιρέστε την ξυριστική κεφαλή για την ευαίσθητη περιοχή, πιέζοντας το κουμπί απασφάλισης (Εικ. 30).
- 3 Αφαιρέστε τη μονάδα ξυρίσματος από την κεφαλή ξυρίσματος για την ευαίσθητη περιοχή (Εικ. 31).
- 4 Ξεπλύνετε τη μονάδα ξυρίσματος, την ξυριστική κεφαλή για την ευαίσθητη περιοχή και τον οδηγό κοπής με χλιαρό νερό βρύσης για 5 έως 10 δευτερόλεπτα, περιστρέφοντάς τα ελαφρώς (Εικ. 32).
- 5 Τινάζτε καλά τη μονάδα ξυρίσματος, την ξυριστική κεφαλή για την ευαίσθητη περιοχή και τον οδηγό κοπής (Εικ. 33).
- 6 Στεγνώστε καλά την ξυριστική κεφαλή για την ευαίσθητη περιοχή και τον οδηγό κοπής με μια πετσέτα κουζίνας και αφήστε το μονάδα ξυρίσματος να στεγνώσει.

Σημείωση: Μην ασκείτε πίεση στη μονάδα ξυρίσματος προς αποφυγή βλάβης.

- 7 Επανατοποθετήστε τη μονάδα ξυρίσματος στην ξυριστική κεφαλή για την ευαίσθητη περιοχή. Τοποθετήστε την ξυριστική κεφαλή για την ευαίσθητη περιοχή στη συσκευή και πιέστε την μέχρι να εφαρμόσει σωστά ('κλικ').

Σημείωση: Βεβαιωθείτε ότι η μονάδα ξυρίσματος είναι στεγνή πριν το τοποθετήσετε στην ξυριστική κεφαλή για την ευαίσθητη περιοχή και ότι η ξυριστική κεφαλή για την ευαίσθητη περιοχή είναι εντελώς στεγνή πριν να την τοποθετήσετε πίσω στη θέση της.

- 8 Τοποθετήστε τον οδηγό κοπής στην ξυριστική κεφαλή για την ευαίσθητη περιοχή.

Συμβουλή: Εφαρμόζετε μία σταγόνα λαδιού ραπτομηχανής επάνω στη μονάδα ξυρίσματος δύο φορές το χρόνο για να παρατείνετε τη διάρκεια ζωής του εξαρτήματος κοπής.

Συστήματα αποθήκευσης

- Τοποθετήστε τον οδηγό κοπής στην ξυριστική κεφαλή για την ευαίσθητη περιοχή προς αποφυγή βλάβης.
- Τοποθετήστε το έξυπνο τοιμπιδάκι στη θήκη αποθήκευσής του μετά τη χρήση.
- Αποθηκεύστε τη συσκευή και τα εξαρτήματά της μέσα στη θήκη πολυτελείας.

Κλειδωμα ταξιδιού

Η αποτριχωτική συσκευή διαθέτει ενσωματωμένο κλειδωμα ταξιδιού, το οποίο εμποδίζει τη συσκευή να ενεργοποιηθεί κατά λάθος κατά τη διάρκεια ταξιδιού.

- 1 Για να ενεργοποιήσετε το κλειδωμα ταξιδιού, πιάστε παρατεταμένα το κουμπί on/off για 3 δευτερόλεπτα μέχρι οι ενδείξεις ρύθμισης ταχύτητας να αναβοσβήσουν με λευκό χρώμα 2 φορές (Εικ. 34).
- Η συσκευή αποτριχώσης ξεκινά να λειτουργεί και σταματά αμέσως όταν ενεργοποιηθεί το κλειδωμα ταξιδιού.
- 2 Για να απενεργοποιήσετε το κλειδωμα ταξιδιού, πιάστε παρατεταμένα το κουμπί on/off για 3 δευτερόλεπτα μέχρι οι ενδείξεις ρύθμισης ταχύτητας να αναβοσβήσουν με λευκό χρώμα 2 φορές (Εικ. 35).

Σημείωση: Μπορείτε επίσης να τοποθετήσετε το βύσμα της συσκευής στην υποδοχή και το τροφοδοτικό σε μια πρίζα τοίχου για να απενεργοποιήσετε το κλειδωμα ταξιδιού.

- Το κλειδωμα ταξιδιού είναι τώρα απενεργοποιημένο και μπορείτε να ενεργοποιήσετε την αποτριχωτική συσκευή ξανά πιέζοντας το κουμπί on/off.

Αντικατάσταση

Όλα τα εξαρτήματα της συσκευής μπορούν να αντικατασταθούν. Εάν χρειαστεί να αντικαταστήσετε ένα ή περισσότερα εξαρτήματα, απευθυνθείτε στον αντιπρόσωπό σας της Philips ή σε ένα εξουσιοδοτημένο κέντρο σέρβις της Philips.

Κεφαλή ξυρίσματος ευαίσθητης περιοχής

Εάν χρησιμοποιείτε την ξυριστική κεφαλή για την ευαίσθητη περιοχή δύο ή περισσότερες φορές την εβδομάδα, σας συμβουλεύουμε να αντικαθιστάτε τη μονάδα ξυρίσματος μετά από ένα ή δύο χρόνια ή όταν φθαρεί.

Περιβάλλον

- Στο τέλος της ζωής της συσκευής μην την πετάξετε μαζί με τα συνηθισμένα απορρίμματα του σπιτιού σας, αλλά παραδώστε την σε ένα επίσημο σημείο συλλογής για ανακύκλωση. Με αυτόν τον τρόπο, θα βοηθήσετε στην προστασία του περιβάλλοντος (Εικ. 36).

Αποτριχωτική συσκευή

- Οι ενσωματωμένες επαναφορτιζόμενες μπαταρίες της αποτριχωτικής συσκευής περιέχουν ουσίες που ενδέχεται να μολύνουν το περιβάλλον. Αφαιρείτε πάντα τις μπαταρίες πριν να απορρίψετε την αποτριχωτική συσκευή και την παραδώσετε σε ένα επίσημο σημείο συλλογής. Απορρίψτε τις μπαταρίες σε επίσημο σημείο συλλογής για μπαταρίες. Εάν αντιμετωπίσετε δυσκολίες στην αφαίρεση των μπαταριών, μπορείτε να απευθυνθείτε σε ένα εξουσιοδοτημένο κέντρο σέρβις της Philips, όπου θα αφαιρέσουν τις μπαταρίες και θα τις απορρίψουν με τρόπο ασφαλή για το περιβάλλον (Εικ. 37).

Αφαίρεση των επαναφορτιζόμενων μπαταριών

- 1 Αποσυνδέστε το μετασχηματιστή από την πρίζα και αφήστε τη συσκευή να λειτουργήσει μέχρι να σταματήσει.
- 2 Επαναλάβετε αυτό το βήμα μέχρι να μην μπορείτε πλέον να ενεργοποιήσετε την αποτριχωτική συσκευή.
- 3 Αφαιρέστε την αποτριχωτική κεφαλή.
- 4 Αφαιρέστε τα πλαϊνά τμήματα της αποτριχωτικής συσκευής με ένα κατσαβίδι (Εικ. 38).

- 5 Εισαγάγετε ένα κατσαβίδι στην εγκοπή δίπλα στην υποδοχή για το βύσμα της συσκευής στη βάση της συσκευής. Γυρίστε το κατσαβίδι για να διαχωρίσετε τα δύο μέρη του περιβλήματος (Εικ. 39).
- 6 Αφαιρέστε τη θήκη μπαταριών με τις μπαταρίες από τη συσκευή. Αφαιρέστε τις μπαταρίες από τη θήκη μπαταριών με ένα κατσαβίδι (Εικ. 40).
- 7 Κόψτε τα καλώδια με ένα ψαλίδι και απορρίψτε τις μπαταρίες κατάλληλα (Εικ. 41).

Μην αφήνετε μεταλλικά αντικείμενα να έρθουν σε επαφή με τους ακροδέκτες των επαναφορτιζόμενων μπαταριών και μην βραχυκυκλώνετε τις μπαταρίες.

Μην προσπαθήσετε να επανασυναρμολογήσετε τη συσκευή για να την συνδέσετε στην πρίζα. Αυτό είναι επικίνδυνο.

Έξυπνο τσιμπιδάκι

Οι μη επαναφορτιζόμενες μπαταρίες περιέχουν ουσίες που ενδέχεται να μολύνουν το περιβάλλον. Μην απορρίπτετε τις μη επαναφορτιζόμενες μπαταρίες μαζί με τα συνηθισμένα απορρίμματα του σπιτιού σας, αλλά μόνο σε επίσημο σημείο συλλογής για μπαταρίες. Αφαιρείτε πάντα τις μη επαναφορτιζόμενες μπαταρίες πριν να απορρίψετε το έξυπνο τσιμπιδάκι μαζί με τα οικιακά σας απορρίμματα.

Εγγύηση και σέρβις

Εάν χρειάζεστε σέρβις ή πληροφορίες ή εάν αντιμετωπίζετε κάποιο πρόβλημα, παρακαλούμε επισκεφτείτε την ιστοσελίδα της Philips στη διεύθυνση www.philips.com ή επικοινωνήστε με το Κέντρο Εξυπηρέτησης Καταναλωτών της Philips στη χώρα σας (θα βρείτε το τηλέφωνο στο φυλλάδιο διεθνούς εγγύησης). Εάν δεν υπάρχει Κέντρο Εξυπηρέτησης Καταναλωτών στη χώρα σας, απευθυνθείτε στον τοπικό αντιπρόσωπό σας της Philips.

Οδηγός ανεύρεσης/επίλυσης προβλημάτων

Σε αυτό το κεφάλαιο συνοψίζονται τα πιο συνηθισμένα προβλήματα που μπορεί να αντιμετωπίσετε με τη συσκευή. Εάν δεν μπορείτε να επιλύσετε το πρόβλημα βάσει των παρακάτω πληροφοριών, επικοινωνήστε με το Κέντρο Εξυπηρέτησης Καταναλωτών στη χώρα σας.

Πρόβλημα	Αιτία	Λύση
Μη ικανοποιητικά αποτελέσματα αποτρίχωσης	Μετακινήσατε την αποτρίχωτική συσκευή προς λάθος κατεύθυνση.	Μετακινήστε τη συσκευή αντίθετα από τη φορά των τριχών, με το κουμπί on/off στραμμένο προς την κατεύθυνση που μετακινείτε την αποτρίχωτική συσκευή.
	Τοποθετήσατε την αποτρίχωτική κεφαλή πάνω στο δέρμα με λανθασμένη γωνία.	Βεβαιωθείτε ότι τοποθετείτε την αποτρίχωτική συσκευή πάνω στο δέρμα σε γωνία 90° (βλ. ενότητα 'Χρήση της αποτρίχωτικής συσκευής').
	Χρησιμοποιήσατε κρέμα ή αποτρίχωτική κρέμα πριν από την αποτρίχωση.	Βεβαιωθείτε ότι το δέρμα σας είναι καθαρό, εντελώς στεγνό και χωρίς λιπαρότητα. Μην χρησιμοποιείτε κανέναν είδους κρέμα πριν από την αποτρίχωση.

Πρόβλημα	Αιτία	Λύση
	Οι τρίχες είναι πολύ κοντές.	Μερικές φορές οι τρίχες είναι τόσο κοντές που δεν μπορούν να πιαστούν. Το βέλτιστο μήκος για εύκολη αποτρίχωση είναι 3-4 χιλ. Οι τρίχες που δεν αφαιρούνται σε αυτή την εφαρμογή θα έχουν μακρύνει αρκετά ώστε να αφαιρεθούν στην επόμενη αποτρίχωση. Μπορείτε ωστόσο να προσπαθήσετε να πιάσετε αυτές τις τρίχες μετακινώντας τη συσκευή κατά μήκος του δέρματος λίγες περισσότερες φορές.
Η αποτριχωτική συσκευή δεν λειτουργεί.	Η πρίζα στην οποία έχει συνδεθεί η συσκευή δεν λειτουργεί.	Βεβαιωθείτε ότι η πρίζα λειτουργεί. Εάν συνδέσετε την αποτριχωτική συσκευή σε μια πρίζα στο μπάνιο, ενδέχεται να χρειάζεται να ανάψετε το φως στο μπάνιο για να βεβαιωθείτε ότι η πρίζα λειτουργεί. Θα μπορούσατε, επίσης, να χρησιμοποιήσετε μια πρίζα που να λειτουργεί έξω από το μπάνιο.
	Η προστασία υπερθέρμανσης έχει ενεργοποιηθεί.	Όταν η αποτριχωτική συσκευή σταματά να λειτουργεί και οι ενδείξεις ρύθμισης ταχύτητας και η λυχνία φόρτισης ξεκινούν να αναβοσβήνουν με κόκκινο χρώμα, έχει ενεργοποιηθεί η προστασία από την υπερθέρμανση. Αφήστε τη συσκευή να κρυώσει. Οι λυχνίες σταματούν να αναβοσβήνουν μετά από 30 δευτερόλεπτα. Όταν η συσκευή κρυώσει, ενεργοποιήστε ξανά την αποτριχωτική συσκευή. Εάν οι λυχνίες ξεκινήσουν να αναβοσβήνουν ξανά, η αποτριχωτική συσκευή δεν έχει κρυώσει ακόμη εντελώς.
	Οι επαναφορτιζόμενες μπαταρίες είναι άδειες.	Όταν η λυχνία φόρτισης ανάβει με κόκκινο χρώμα συνεχώς, οι μπαταρίες είναι άδειες και πρέπει να φορτίσετε τη συσκευή (βλ. ενότητα 'Φόρτιση'). Μπορείτε, επίσης, να λειτουργείτε τη συσκευή με ρεύμα όταν οι μπαταρίες είναι άδειες.

Πρόβλημα	Αιτία	Λύση
	<p>Το κλειδίωμα ταξιδιού είναι ενεργοποιημένο.</p>	<p>Πιέστε παρατεταμένα το κουμπί on/off για 3 δευτερόλεπτα μέχρι οι ενδείξεις ρύθμισης ταχύτητας να αναβοσβήσουν με λευκό χρώμα 2 φορές. Το κλειδίωμα ταξιδιού έχει απενεργοποιηθεί και μπορείτε να πιέσετε το κουμπί on/off για να ενεργοποιήσετε τη συσκευή. Μπορείτε επίσης να τοποθετήσετε το βύσμα της συσκευής στην υποδοχή και το τροφοδοτικό σε μια πρίζα τοίχου για να απενεργοποιήσετε το κλειδίωμα ταξιδιού.</p>
	<p>Η προστασία από υπερφόρτωση έχει ενεργοποιηθεί, διότι κάτι πιάστηκε ανάμεσα στις περιστρεφόμενεςτσιμπίδες ή διότι πιέσατε τη συσκευή πολύ δυνατά στο δέρμα σας.</p>	<p>Όταν έχει ενεργοποιηθεί η προστασία από υπερφόρτωση, οι ενδείξεις ρύθμισης ταχύτητας αναβοσβήνουν με κόκκινο χρώμα. Γυρίστε τιςτσιμπίδες με τον αντίχειρά σας, μέχρι να μπορείτε να αφαιρέσετε με ευκολία το αντικείμενο που μπλοκάρει τις περιστρεφόμενεςτσιμπίδες. Έπειτα, ενεργοποιήστε ξανά τη συσκευή. Μην πιέζετε τη συσκευή πολύ δυνατά στο δέρμα σας.</p>

Introducción

Enhorabuena por la compra de este producto y bienvenido a Philips. Para sacar el mayor partido de la asistencia que Philips le ofrece, registre su producto en www.philips.com/welcome.

Esta depiladora SatinPerfect de Philips ha sido fabricada en Europa conforme los niveles de diseño más exigentes y pensando en las necesidades de la mujer de hoy. En nuestros procesos de desarrollo y producción participan muchas mujeres de todo el mundo que nos facilitan información sobre nuestros conceptos y productos para ofrecerle la mejor calidad posible.

Su nueva depiladora SatinPerfect le proporciona los mejores resultados a la hora de eliminar vello corporal no deseado de forma agradable y con una suavidad perfecta y duradera.

La depiladora cuenta con un excelente diseño y unas características ingeniosas. El cabezal depilador cubre una zona amplia de la piel y sus pinzas están fabricadas con material cerámico. Esto garantiza un agarre óptimo incluso del vello más fino, eliminándolo fácilmente. El vello se elimina de raíz y crece más fino y de forma menos visible.

La depiladora SatinPerfect tiene un diseño ergonómico. Está ligeramente curvada para garantizar el seguimiento de los contornos del cuerpo. Su control de velocidad mantiene la velocidad de depilación ideal para lograr resultados perfectos, independientemente de la presión que ejerza. La luz Opti-Light le ayuda a buscar y eliminar el vello más difícil.

El sistema activo de levantamiento de vello con masaje situado en la parte frontal vibra suavemente y levanta el vello que crece pegado a la piel para poder eliminarlo fácilmente. El rodillo de masaje activo ubicado en la parte posterior del sistema activo de levantamiento de vello con masaje vibra para proporcionar a la piel una sensación agradable que calma el efecto de la depilación.

El adaptador de rendimiento óptimo gira para seguir los contornos del cuerpo y lograr un contacto óptimo con la piel y además proporciona un rendimiento óptimo para una eliminación eficaz del vello y para disfrutar de unas piernas suaves y perfectas durante más tiempo.

El sistema de estiramiento de la piel del adaptador de rendimiento óptimo estira la piel suavemente para poder eliminar incluso el vello más corto.

Descripción general (fig. 1)

- A** Depiladora
- B** Piloto de carga
- C** Indicadores de posición de velocidad
- D** Botón de encendido/apagado
 - Pulse una vez para la velocidad II
 - Pulse dos veces para la velocidad I
- E** Opti-Light
- F** Cabezal depilador
- G** Botón de liberación
- H** Adaptador básico de depilación
- I** Cabezal de afeitado de zonas sensibles
- J** Peine-guía
- K** Adaptador de rendimiento óptimo
- L** Sistema de estiramiento de piel
- M** Sistema activo de levantamiento de vello con masaje
- N** Rodillo de masaje activo
- O** Sistema activo de levantamiento de vello
- P** Cepillo de limpieza
- Q** Adaptador de corriente
- R** Pinzas inteligentes
 - 1** Luz de las pinzas inteligentes
 - 2** Botón de encendido/apagado de la luz
 - 3** Compartimento de las pilas y la luz
 - 4** Estuche de las pinzas inteligentes

- 5 Pilas tipo botón
- S Funda de lujo (no se muestra)

Importante

Antes de usar el aparato y las pinzas inteligentes, lea atentamente este manual de usuario y consérvelo por si necesitara consultarlo en el futuro.

Peligro

- Mantenga el aparato y el adaptador siempre secos.
- No utilice el aparato cerca de un lavabo o bañera con agua (fig. 2).
- No utilice el aparato en la bañera o en la ducha (fig. 3).
- Si utiliza la depiladora en el cuarto de baño, no use un cable alargador (fig. 4).

Advertencia

- Cargue la depiladora únicamente con el adaptador que se suministra.
- No utilice el aparato, los accesorios, el adaptador ni las pinzas inteligentes si están deteriorados o rotos, ya que podría ocasionar lesiones.
- Si el adaptador está dañado, sustitúyalo siempre por otro del modelo original para evitar situaciones de peligro.
- El adaptador incorpora un transformador; No corte el adaptador para sustituirlo por otra clavija, ya que podría provocar situaciones de peligro.
- Antes de enchufar el aparato, compruebe si el voltaje indicado en el adaptador se corresponde con el voltaje de red local.
- El aparato no debe ser usado por personas (adultos o niños) con su capacidad física, psíquica o sensorial reducida, ni por quienes no tengan los conocimientos y la experiencia necesarios, a menos que sean supervisados o instruidos acerca del uso del aparato por una persona responsable de su seguridad.
- Asegúrese de que los niños no jueguen con este aparato.
- Las pinzas inteligentes no son un juguete, manténgalas fuera del alcance de los niños.

Precaución

- La depiladora está diseñada únicamente para eliminar el vello corporal de las mujeres, no el facial, mediante depilación (piernas) o afeitado (axilas y línea del bikini). No utilice la depiladora para cualquier otro fin.
- Por razones de higiene, el aparato y las pinzas inteligentes deberán ser usados únicamente por una persona.
- Cuando la depiladora esté **en funcionamiento** (con o sin accesorios), manténgala alejada del pelo de la cabeza, las pestañas y las cejas, así como de ropas, hilos, cables, cepillos, etc., con el fin de evitar accidentes y deterioros.
- No utilice la depiladora ni las pinzas inteligentes sobre piel irritada o venas varicosas, erupciones, manchas, lunares (con pelos) o heridas sin consultar antes a su médico.
- Las personas con una reducida respuesta inmunológica o personas que padezcan diabetes mellitus, hemofilia o inmunodeficiencia también deben consultar antes a su médico.
- Las primeras veces que utilice la depiladora la piel puede enrojecerse e irritarse un poco. Este fenómeno es normal y desaparecerá pronto. A medida que vaya utilizando la depiladora más a menudo, la piel se irá acostumbrando a la depilación, la irritación disminuirá y el vello que salga de nuevo será cada vez más fino y suave. Si la irritación no desaparece al cabo de tres días, le recomendamos que consulte a su médico.
- No mire directamente a la luz Opti-light para evitar el deslumbramiento.
- No utilice el cabezal depilador sin accesorio.
- No exponga la depiladora a temperaturas inferiores a 5 °C o superiores a 35 °C.
- Las pinzas inteligentes funcionan con pilas alcalinas de botón tipo L763H o AG3 (diámetro 7,8 x 3,4 mm).

Campos electromagnéticos (CEM)

Este aparato Philips cumple todos los estándares sobre campos electromagnéticos (CEM). Si se utiliza correctamente y de acuerdo con las instrucciones de este manual, el aparato se puede usar de forma segura según los conocimientos científicos disponibles hoy en día.

Carga

Carga de la depiladora

La depiladora tarda aproximadamente 1 hora en cargarse. Cuando la depiladora está completamente cargada, tiene un tiempo de funcionamiento sin cable de hasta 40 minutos.

- 1 Apague el aparato antes de cargarlo.
- 2 Inserte la clavija del aparato en el enchufe para la clavija y conecte el adaptador a la red (fig. 5).
 - El piloto de carga parpadea en blanco para indicar que la depiladora se está cargando (fig. 6).
 - Cuando la pila está completamente cargada, el piloto de carga permanece encendido en blanco durante 20 minutos y, después, se apaga (fig. 7).

Indicación de batería baja

- 1 Cuando la pila esté casi descargada, el piloto de carga comenzará a parpadear en rojo. Cuando el testigo de carga comience a parpadear en rojo, las pilas contienen aún carga suficiente para unos minutos de funcionamiento.
- 2 Cuando las pilas están completamente descargadas, el piloto de carga permanece encendido en rojo.

Para cargar la depiladora, siga los pasos 1 y 2 de la sección "Carga de la depiladora" anterior. También puede utilizar la depiladora insertando la clavija del aparato en la toma del mismo y enchufando el adaptador a una toma de corriente.

Consejos para la depilación

Antes de empezar a depilarse

Nota: Limpie siempre el cabezal depilador antes de utilizarlo por primera vez.

- Cuando utilice la depiladora por primera vez, le aconsejamos que la pruebe en una zona con poco vello para ir acostumbrándose al proceso de depilación.
- Le aconsejamos que se depile por la noche antes de acostarse, ya que así cualquier posible irritación desaparecerá durante la noche.
- La depilación resulta más fácil justo después de bañarse o ducharse. Asegúrese de que su piel esté completamente seca antes de comenzar a depilarse.
- Asegúrese de que la piel esté limpia, completamente seca y libre de grasa. No utilice cremas antes de comenzar a depilarse.
- La depilación resulta más cómoda y sencilla cuando el vello tiene una longitud óptima de entre 3 y 4 mm. Si la longitud es superior, le recomendamos que lo afeite primero y lo depile cuando esté volviendo a crecer y sea más corto, es decir, después de 1 ó 2 semanas. También puede utilizar el cabezal de afeitado de zonas sensibles con el peine-guía para cortar previamente el vello y conseguir una longitud perfecta.
- Puesto que el vello crece en diferentes ciclos, al empezar a depilarse, es mejor hacerlo varios días seguidos para permanecer sin vello durante más tiempo, ya que el vello volverá a crecer de nuevo siguiendo el mismo ciclo y al mismo ritmo.
- La depiladora se suministra con el adaptador de depilación básico conectado. Si desea utilizarla con el adaptador de rendimiento óptimo o con el sistema activo de levantamiento de vello con masaje, desmonte el adaptador de depilación básico tirando de él y coloque el adaptador de rendimiento óptimo o el sistema activo de levantamiento de vello con masaje (consulte la sección "Depilación de las piernas con la depiladora" del capítulo "Uso de la depiladora").

Durante la depilación

- La depiladora puede utilizarse sin cable con pilas recargables, pero también puede utilizarse con el adaptador enchufado a la red.
- Mientras se está depilando, estire la piel con la mano que le queda libre. De esta forma, el vello se levantará y se reducirá la sensación de tirón.
- Para lograr un rendimiento óptimo, coloque el cabezal de depilación sobre la piel formando ángulo recto (90°) y con el botón de encendido/apagado apuntando a la dirección en la que va a mover el aparato. Desplace el aparato sobre la piel en dirección contraria a la de crecimiento del vello, con un movimiento continuo y lento, y sin ejercer presión.
- En algunas zonas el vello puede crecer en distintas direcciones. En ese caso puede resultar útil mover el aparato en distintas direcciones para conseguir unos resultados óptimos.
- Si suda durante la depilación, seque bien la piel con un paño suave.
- Cuando utilice el adaptador de rendimiento óptimo, asegúrese de que los dos rodillos del sistema de estiramiento de piel permanecen en contacto con la piel para garantizar unos resultados óptimos.
- Cuando utilice el sistema activo levantamiento de vello con masaje activo, asegúrese de que el rodillo de masaje activo y el peine-guía para levantar vello permanecen siempre en contacto con la piel. El rodillo de masaje estimula y relaja la piel para que la depilación resulte más suave.

Después de la depilación

- Para relajar la piel, le aconsejamos que aplique una crema hidratante inmediatamente después de la depilación o unas horas después de la depilación, en función de lo que sea mejor para su piel.
- El uso frecuente de una esponja o crema exfoliante (por ejemplo, durante la ducha) 24 horas después de la depilación puede ayudar a evitar que el vello crezca hacia dentro, ya que la exfoliación suave elimina la capa superior de la piel y permite que el vello fino atraviese su superficie.

Uso de la depiladora**Depilación de las piernas con la depiladora**

- Si ya se ha depilado anteriormente, puede utilizar simplemente el cabezal depilador con el adaptador de depilación básico.
- Si no está acostumbrada a la depilación, le aconsejamos que comience a depilarse con el adaptador de rendimiento óptimo. Este adaptador garantiza un contacto óptimo con la piel y su cabezal pivotante estira la piel y prepara el vello para su depilación.
- Si su vello crece pegado a la piel, le aconsejamos utilizar el sistema activo de levantamiento de vello con masaje. Este sistema no sólo levanta el vello, sino que su rodillo de masaje activo reduce la sensación de tirón de la depilación.

Nota: Antes conectar el adaptador de rendimiento óptimo o el sistema activo de levantamiento de vello con masaje, retire el adaptador de depilación básico.

1 Presione ambos lados del adaptador de depilación básico (1) para sacarlo del aparato (2) (fig. 8).

2 Coloque el accesorio deseado en el cabezal depilador (fig. 9).

Nota: El procedimiento para colocar los accesorios en el aparato es el mismo para todos los accesorios.

3 Pulse el botón de encendido/apagado una vez para encender la depiladora.

▶ La depiladora empieza a funcionar a la velocidad II, que es la velocidad más eficaz para la depilación. Se encenderá el indicador inferior de posición de velocidad II (fig. 10).

▶ Si desea utilizar la velocidad I, pulse el botón de encendido/apagado por segunda vez. Se encenderá el indicador superior de posición de velocidad II (fig. 11).

Consejo: La velocidad I es adecuada para zonas con poco vello, de difícil acceso y donde el hueso está justo debajo de la piel, como las rodillas y los tobillos.

► Si pulsa el botón de encendido/apagado por tercera vez, la depiladora se apaga.

- 4** Para hacer que el vello se levante, estire la piel con su mano libre.
- 5** Coloque el cabezal depilador sobre la piel formando un ángulo de 90° con el botón de encendido/apagado orientado hacia la dirección en la que va a mover el aparato (fig. 12).
- 6** Mueva el aparato despacio sobre la piel en sentido contrario al de crecimiento del vello.
 - Cuando utilice el adaptador de rendimiento óptimo, asegúrese de que los dos rodillos del sistema de estiramiento de piel permanecen en contacto con la piel para garantizar unos resultados óptimos.
 - Cuando utilice el sistema activo levantamiento de vello con masaje activo, asegúrese de que el rodillo de masaje activo y el peine-guía para levantar vello permanecen siempre en contacto con la piel. El rodillo de masaje estimula y relaja la piel para que la depilación resulte más suave.

Afeitado de las axilas y de la línea del bikini

Utilice el cabezal de afeitado de zonas sensibles para afeitar zonas sensibles, como las axilas y la línea del bikini.

- 1** Presione el botón de liberación (1) y quite el cabezal depilador de la depiladora (2) (fig. 13).

Nota: El cabezal de afeitado de zonas sensibles puede extraerse de la misma manera.

- 2** Coloque el cabezal de afeitado de zonas sensibles en el aparato y presiónelo hasta que encaje en su sitio (oírás un clic). (fig. 14)

- 3** Encienda el aparato.

Nota: Utilice la velocidad II para depilar con el cabezal de afeitado de zonas sensibles.

- 4** Estire la piel con la mano que le queda libre. Al depilar las axilas, levante el brazo para estirar la piel.
- 5** Coloque el cabezal de afeitado de zonas sensibles sobre la piel formando un ángulo de 90° con el botón de encendido/apagado orientado hacia la dirección en la que va a mover el aparato.

- 6** Mueva el aparato lentamente en dirección contraria a la de crecimiento del vello.

Nota: Asegúrese de que la unidad de afeitado con el cortador integrado esté siempre en contacto con la piel.

- Afeite la línea del bikini como se muestra en el dibujo (fig. 15).
- Afeite las axilas como se muestra en el dibujo. Mueva el aparato en distintas direcciones. (fig. 16)

- 7** Cuando haya terminado el afeitado, apague el aparato y limpie el cabezal de afeitado de zonas sensibles (consulte el capítulo "Limpieza y mantenimiento").

- 8** Al guardar el aparato, coloque el peine-guía sobre el cabezal de afeitado de zonas sensibles.

Recorte con el peine-guía

Utilice el cabezal de afeitado de zonas sensibles con el peine-guía conectado para recortar el vello de la línea del bikini a una longitud de 3 mm.

También puede utilizar el peine-guía para recortar previamente el vello más largo (más de 10 mm) de las axilas o la línea del bikini.

- 1** Presione el botón de liberación (1) y quite el cabezal depilador de la depiladora (2) (fig. 13).

- 2** Coloque el cabezal de afeitado de zonas sensibles en el aparato y presiónelo hasta que encaje en su sitio (oír un clic) (fig. 14).
- 3** Coloque el peine-guía en el cabezal de afeitado de zonas sensibles (fig. 17).
- 4** Siga los pasos 3 a 6 de la sección “Afeitado de las axilas y de la línea del bikini”.

Nota: Asegúrese de que la superficie del peine-guía esté siempre en pleno contacto con la piel, para conseguir un resultado de corte uniforme.

- 5** Cuando haya terminado el corte, apague el aparato y limpie el cabezal de afeitado de zonas sensibles y el peine-guía (consulte el capítulo “Limpieza y mantenimiento”).
- 6** Al guardar el aparato, deje el peine-guía sobre el cabezal de afeitado.

Uso con cable

Para utilizar la depiladora conectada a la red, apague el aparato y conéctelo a al red.

Protección contra el sobrecalentamiento

La depiladora incorpora una protección contra el sobrecalentamiento que evita el calentamiento excesivo del aparato.

Nota: Para evitar el sobrecalentamiento de la depiladora, no presione demasiado el aparato contra la piel. La depiladora funciona mejor si se mueve sobre la piel sin ejercer presión.

- 1** Si la protección contra el sobrecalentamiento está activada, el aparato de apaga automáticamente, las indicaciones de posición de velocidad y el testigo de carga parpadean en rojo.
- 2** Deje que se enfríe el aparato.
 - ▶ Las luces dejan de parpadear una vez transcurridos 30 segundos.
- 3** Cuando se haya enfriado el aparato, puede volver a encenderlo. Si los pilotos empiezan a parpadear en rojo de nuevo, el aparato no se ha enfriado por completo.

Protección contra sobrecarga

Si presiona el cabezal depilador con demasiada fuerza contra la piel o si las pinzas giratorias del cabezal depilador se bloquean (por ejemplo, por la ropa, etc.), el aparato deja de funcionar y el indicador de posición de velocidad comienza a parpadear en rojo durante 5 segundos.

- 1** Compruebe si las pinzas giratorias del cabezal depilador están bloqueadas girándolas con el pulgar hasta poder retirar lo que las esté bloqueando.
- 2** Encienda de nuevo el aparato.

No ejerza demasiada presión sobre la piel con el aparato.

Uso de las pinzas inteligentes

La depiladora incluye unas pinzas inteligentes con luz integrada para eliminar fácilmente tanto el vello facial como el de las cejas. Las pinzas inteligentes están protegidas por una caja con un espejo integrado para poder depilarse donde quiera y cuando quiera. Las pinzas inteligentes se suministran listas para usar con 3 pilas de botón en el compartimento de las pilas.

Uso de las pinzas

- 1** Limpie las cejas con tónico o alcohol para impedir que el vello de las mismas se deslice entre las pinzas.

- 2** Utilice un paño facial templado para suavizar la piel antes de aplicar las pinzas. Esto facilita la eliminación del vello.
- 3** Cepille las cejas en la dirección del crecimiento del pelo.
- 4** Utilice un lápiz de ojos para marcar la forma deseada de las cejas. Elimine todo el vello situado fuera de dicha marca.
- 5** Encienda la luz pulsando una vez el botón de encendido/apagado.
- 6** Elimine el vello siempre en la dirección de su crecimiento.

Nota: Elimine el vello uno por uno.

No utilice las pinzas inteligentes para eliminar el vello de los lunares.

No apunte la luz de las pinzas inteligentes directamente a sus ojos o a los de otra persona.

Cómo sustituir las pilas

- 1** Abra el compartimento de las pilas y la luz girando con una moneda la parte inferior en sentido contrario al de las agujas del reloj (fig. 18).
- 2** Extraiga las pilas de botón antiguas (fig. 19).

Mantenga las pilas de botón fuera del alcance de los niños y las mascotas. Las pilas de botón representan un riesgo potencial de asfixia.

- 3** Inserte las dos pilas de botón con el lado negativo apuntando hacia delante en el compartimento de las pilas y la luz.

Nota: Las pinzas inteligentes funcionan con tres pilas alcalinas de botón tipo L736H o AG3 (diámetro 7,8 x 3,4 mm).

- 4** Vuelva a enroscar con una moneda la parte inferior en el compartimento de las pilas y la luz en el sentido de las agujas del reloj (fig. 20).

Limpeza y mantenimiento

Nota: Asegúrese de que el aparato esté apagado y desenchufado cuando comience a limpiarlo.

No utilice estropajos, agentes abrasivos ni líquidos agresivos, como gasolina o acetona, para limpiar el aparato.

- Limpie el aparato después de cada uso para garantizar un mejor rendimiento.
- Nunca enjuague el aparato o el adaptador debajo del grifo (fig. 21).
- Mantenga el aparato y el adaptador siempre secos (fig. 22).

Limpeza de los accesorios

- 1** Quite el accesorio del cabezal depilador (fig. 8).
- 2** Elimine el vello que pueda quedar en los accesorios con el cepillo de limpieza (fig. 23).
- 3** Enjuague los accesorios con agua templada mientras los gira (fig. 24).
- 4** Seque los accesorios antes de utilizarlos o de guardarlos.

Limpeza del cabezal depilador de la depiladora

- 1** Presione el botón de liberación (1) y quite el cabezal depilador del aparato (2) (fig. 13).
- 2** Elimine los pelos sueltos con el cepillo (fig. 25).

- 3 Enjuague el cabezal depilador bajo el grifo durante 5 - 10 segundos mientras gira las pinzas con el pulgar (fig. 26).

Nota: No intente nunca sacar las pinzas depiladoras del cabezal depilador.

- 4 Sacuda el cabezal depilador firmemente (fig. 27).
- 5 Seque bien el cabezal depilador con un paño.

Nota: Asegúrese de que el cabezal depilador esté completamente seco antes de volver a colocarlo en el aparato.

- 6 Para volver a colocar el cabezal depilador, póngalo en el aparato y presione hasta que encaje en su sitio ("clic") (fig. 28).

Limpeza del cabezal de afeitado de zonas sensibles y el peine-guía

- 1 Retire el peine-guía, si está colocado, tirando de él para sacarlo del cabezal de afeitado de zonas sensibles (fig. 29).
- 2 Retire el cabezal de afeitado de zonas sensibles pulsando el botón de liberación (fig. 30).
- 3 Quite la unidad de afeitado del cabezal de afeitado de zonas sensibles (fig. 31).
- 4 Enjuague la unidad de afeitado, el cabezal de afeitado de zonas sensibles y el peine-guía bajo un grifo con agua templada entre 5 y 10 segundos a la vez que los gira (fig. 32).
- 5 Sacuda firmemente la unidad de afeitado, el cabezal de afeitado de zonas sensibles y el peine-guía (fig. 33).
- 6 Seque bien el cabezal de afeitado de zonas sensibles y el peine-guía con un paño y deje que la unidad de afeitado se seque.

Nota: No ejerza ninguna presión sobre la unidad de afeitado para evitar dañarla.

- 7 Vuelva a colocar la unidad de afeitado en el cabezal de afeitado de zonas sensibles. Ponga el cabezal de afeitado de zonas sensibles en el aparato y presione hasta que encaje en su sitio (oírá un clic).

Nota: Asegúrese de que la unidad de afeitado esté seca antes de colocarla en el cabezal de afeitado de zonas sensibles y también de que éste último esté completamente seco antes de volver a colocarlo en el aparato.

- 8 Coloque el peine-guía en el cabezal de afeitado de zonas sensibles.

Consejo: Extienda una gota de aceite de máquina de coser en la unidad de afeitado dos veces al año para prolongar la vida del elemento de corte.

Almacenamiento

- Coloque el peine-guía en el cabezal de afeitado de zonas sensibles para evitar daños.
- Coloque las pinzas inteligentes en el estuche después de utilizarlas.
- Guarde el aparato y los accesorios en la funda de lujo.

Bloqueo para viajes

La depiladora integra un bloqueo para viajes que impide que se encienda el aparato accidentalmente durante los viajes.

- 1 Para activar el bloqueo para viajes, mantenga pulsado el botón de encendido/apagado durante 3 segundos hasta que los indicadores de posición de velocidad parpadeen 2 veces en blanco (fig. 34).

- 1 La depiladora empieza a funcionar y se detiene inmediatamente cuando el bloqueo para viajes está activado.
- 2 Para desactivar el bloqueo para viajes, mantenga pulsado el botón de encendido/apagado durante 3 segundos hasta que los indicadores de posición de velocidad parpadeen 2 veces en blanco (fig. 35).

Nota: Para desactivar el bloqueo de viaje también puede insertar la clavija del aparato en el enchufe de la clavija y el adaptador en una toma de pared.

- 1 El bloqueo para viajes se desactiva y puede volver a encender la depiladora pulsando el botón de encendido/apagado.

Sustitución

Todas las piezas del aparato se pueden sustituir. Si necesita sustituir alguna pieza, diríjase a un distribuidor Philips o a un centro de servicio autorizado por Philips.

Cabezal de afeitado de zonas sensibles

Si utiliza el cabezal de afeitado de zonas sensibles dos o más veces a la semana, le aconsejamos sustituir la unidad de afeitado cada uno o dos años o si está deteriorada.

Medio ambiente

- Al final de su vida útil, no tire el aparato junto con la basura normal del hogar. Llévelo a un punto de recogida oficial para su reciclado. De esta manera, ayudará a conservar el medio ambiente (fig. 36).

Depiladora

- Las pilas recargables incorporadas de la depiladora contienen sustancias que pueden contaminar el medio ambiente. Extraiga siempre las pilas antes de deshacerse de la depiladora o de llevarla a un punto de recogida oficial. Deposite las pilas en un lugar de recogida oficial. Si no puede quitar las pilas, puede llevar el aparato a un servicio de asistencia técnica de Philips. El personal del servicio de asistencia técnica extraerá las pilas y se deshará de ellas de forma no perjudicial para el medio ambiente (fig. 37).

Cómo extraer las pilas recargables

- 1 Desenchufe el adaptador de la red y deje que el aparato funcione hasta que se detenga.
- 2 Repita este proceso hasta que ya no pueda encender la depiladora.
- 3 Quite el cabezal depilador.
- 4 Quite los paneles laterales de la depiladora con la ayuda de un destornillador (fig. 38).
- 5 Inserte un destornillador en la ranura situada junto al enchufe de la clavija del aparato en la parte inferior del mismo. Gire el destornillador para separar las dos mitades de la carcasa (fig. 39).
- 6 Saque el compartimento de las pilas con las pilas del aparato y, a continuación, extraiga las pilas con un ayuda de un destornillador (fig. 40).
- 7 Corte los cables con unas tijeras y deseche las pilas adecuadamente (fig. 41).

Evite que los terminales de la batería recargable entren en contacto con objetos metálicos o produzcan cortocircuitos en la misma.

No intente volver a montar el aparato para conectarlo a la red porque sería peligroso.

Pinzas inteligentes

Las pilas no recargables contienen sustancias que pueden contaminar el medio ambiente. No las tire con la basura normal del hogar; deposítelas en un punto de recogida oficial para pilas. Quite siempre las pilas no recargables antes de deshacerse de las pinzas inteligentes junto con la basura normal del hogar.

Garantía y servicio

Si necesita información o si tiene algún problema, visite la página Web de Philips en www.philips.com o póngase en contacto con el Servicio de Atención al Cliente de Philips en su país (hallará el número de teléfono en el folleto de la garantía mundial). Si no hay Servicio de Atención al Cliente de Philips en su país, diríjase a su distribuidor local Philips.

Guía de resolución de problemas

En este capítulo se resumen los problemas más frecuentes que pueden surgir. Si no puede resolver el problema con la siguiente información, póngase en contacto con el Servicio de Atención al Cliente de su país.

Problema	Causa	Solución
Malos resultados de depilación	Ha desplazado la depiladora en la dirección incorrecta.	Mueva el aparato en dirección contraria a la de crecimiento del vello, con el botón de encendido/apagado orientado hacia la dirección en la que va a mover la depiladora.
	Ha colocado el cabezal depilador sobre la piel con un ángulo incorrecto.	Compruebe que ha colocado el cabezal depilador sobre la piel formando un ángulo de 90° (consulte el capítulo "Uso de la depiladora").
	Ha utilizado crema o crema depilatoria antes de la depilación.	Asegúrese de que la piel esté limpia, completamente seca y libre de grasa. No utilice cremas antes de comenzar a depilarse.
	El vello es demasiado corto.	A veces el vello es demasiado corto para que la depiladora lo atrape. La longitud óptima del vello para eliminarlo fácilmente es de 3-4 mm. El vello que no se atrape durante esa sesión, será lo suficientemente largo la próxima vez que se depile. También puede probar a atrapar el vello moviendo el aparato por la piel unas cuantas veces más.
La depiladora no funciona.	El enchufe al que está conectada la depiladora no funciona.	Asegúrese de que la toma de corriente está activa. Si ha enchufado la depiladora en un cuarto de baño, puede que necesite encender la luz del baño para activar el enchufe. También puede utilizar una toma de corriente situada fuera del cuarto de baño.

Problema	Causa	Solución
	La protección contra el sobrecalentamiento se ha activado.	Si la depiladora deja de funcionar y los indicadores de posición de velocidad y la luz de carga empiezan a parpadear en rojo, la protección contra el sobrecalentamiento se ha activado. Deje enfriar el aparato. La luz deja de parpadear después de 30 segundos. Cuando se haya enfriado el aparato, vuelva a encender la depiladora. Si los indicadores comienzan a parpadear de nuevo, significa que la depiladora no se ha enfriado lo suficiente.
	Las pilas recargables están descargadas.	Si el indicador de carga permanece encendido en rojo, las pilas están descargadas y será necesario cargar el aparato (consulte el capítulo "Carga"). Cuando las pilas están descargadas también puede utilizar el aparato enchufado a la red eléctrica.
	El bloqueo para viajes está activado.	Mantenga pulsado el botón de encendido/apagado durante 3 segundos hasta que los indicadores de posición de velocidad parpadeen 2 veces en blanco. El bloqueo para viajes se ha desactivado y puede pulsar el botón de encendido/apagado para encender el aparato. Para desactivar el bloqueo de viaje también puede insertar la clavija del aparato en el enchufe de la clavija y el adaptador en una toma de pared.
	La protección contra la sobrecarga se ha activado porque ha quedado algo atrapado entre las pinzas giratorias o porque ha ejercido demasiada presión sobre la piel con el aparato.	Cuando se activa la protección contra la sobrecarga, los indicadores de posición de velocidad parpadean en rojo. Gire las pinzas con el pulgar hasta poder sacar el elemento que bloquea las pinzas giratorias. A continuación, vuelva a encender el aparato. No presione el aparato contra la piel.

Introduzione

Congratulazioni per l'acquisto e benvenuti in Philips! Per trarre il massimo vantaggio dall'assistenza Philips, registrate il vostro prodotto su www.philips.com/welcome.

Questo epilatore Philips SatinPerfect è prodotto in Europa rispettando i più alti standard di produzione ed è stato progettato per soddisfare le esigenze della donna di oggi. In tutto il mondo, infatti, molte donne sono impegnate nei nostri processi di sviluppo e produzione e ci forniscono utili informazioni sui nostri concetti e prodotti per fornirvi la migliore qualità possibile.

Il vostro nuovo epilatore SatinPerfect vi offre le migliori prestazioni nella rimozione dei peli superflui per ottenere una pelle liscia e perfetta a lungo e in modo confortevole.

L'epilatore è caratterizzato da un design di alta qualità e da funzionalità all'avanguardia. La testina epilatoria copre una più ampia superficie della pelle mentre le pinzette in ceramica assicurano una corretta aderenza anche sui peli più corti per una rimozione accurata. I peli vengono rimossi alla radice e ricrescono più sottili e meno visibili.

SatinPerfect ha una forma ergonomica. Le curve di cui è dotato sono state studiate appositamente per seguire le linee del corpo. Il sistema di controllo della velocità consente di mantenere la velocità di epilazione ideale per risultati ottimali, a prescindere dalla pressione esercitata. Il sistema Opti-light, inoltre, consente di individuare e rimuovere anche i peli più difficili per non lasciarne più neanche uno.

L'accessorio attivo per il sollevamento dei peli presente sulla parte anteriore con sistema di massaggio attivo vibra delicatamente e solleva i peli piatti per facilitarne la rimozione. Il sistema a rullo attivo, sul retro dell'accessorio per il sollevamento dei peli con sistema di massaggio attivo, vibra per dare alla pelle una piacevole sensazione che lenisce gli effetti dell'epilazione.

La testina ad alte prestazioni si inclina per seguire le linee del corpo, assicurare un contatto ottimale con la pelle e prestazioni superiori nella rimozione dei peli per gambe perfette e lisce a lungo.

Il sistema tensore della testina ad elevate prestazioni tende delicatamente la pelle per rimuovere anche i peli più corti.

Descrizione generale (fig. 1)

- A** Epilatore
- B** Spia di ricarica
- C** Spie dell'impostazione della velocità
- D** Pulsante on/off
 - Premete una volta per la velocità II
 - Premete due volte per la velocità I
- E** Opti-light
- F** Testina epilatoria
- G** Pulsante di sgancio
- H** Testina epilatoria di base
- I** Testina per le zone sensibili
- J** Pettine regola altezze
- K** Testina ad alte prestazioni
- L** Sistema tensore
- M** Accessorio attivo per il sollevamento dei peli con sistema di massaggio attivo
- N** Sistema a rullo attivo
- O** Accessorio attivo per il sollevamento dei peli
- P** Spazzolina per la pulizia
- Q** Adattatore
- R** Pinzette "intelligenti"
 - 1** Luce delle pinzette "intelligenti"
 - 2** Pulsante on/off per la luce
 - 3** Vano batterie e luce
 - 4** Custodia delle pinzette "intelligenti"

- 5** Batterie a bottone
S Elegante custodia (non illustrata)

Importante

Prima di utilizzare l'apparecchio e le pinzette "intelligenti", leggete attentamente il presente manuale dell'utente e conservatelo per eventuali riferimenti futuri.

Pericolo

- Non bagnate l'apparecchio e l'adattatore.
- Non utilizzate l'apparecchio in prossimità o al di sopra di lavabi o vasche da bagno contenenti acqua (fig. 2).
- Non utilizzate l'apparecchio nella vasca da bagno o nella doccia (fig. 3).
- Se l'epilatore viene utilizzato in bagno, non usate una prolunga (fig. 4).

Avvertenza

- Ricaricate l'epilatore solo con l'adattatore in dotazione.
- Non utilizzate l'apparecchio, gli accessori o l'adattatore nel caso in cui siano danneggiati o rotti al fine di evitare lesioni. Non utilizzate le pinzette "intelligenti" nel caso in cui siano danneggiate o rotte per evitare lesioni.
- Nel caso in cui l'adattatore fosse danneggiato, dovrà essere sostituito esclusivamente con un adattatore originale al fine di evitare situazioni pericolose.
- L'adattatore contiene un trasformatore. Non tagliate l'adattatore per sostituirlo con un'altra spina onde evitare situazioni pericolose.
- Prima di collegare l'apparecchio, verificate che la tensione riportata sull'adattatore corrisponda alla tensione disponibile.
- L'apparecchio non è destinato a persone (inclusi bambini) con capacità mentali, fisiche o sensoriali ridotte, fatti salvi i casi in cui tali persone abbiano ricevuto assistenza o formazione per l'uso dell'apparecchio da una persona responsabile della loro sicurezza.
- Adottate le dovute precauzioni per evitare che i bambini giochino con l'apparecchio.
- Le pinzette "intelligenti" non sono un giocattolo. Tenerle lontane dalla portata dei bambini.

Attenzione

- L'epilatore è stato progettato unicamente per rimuovere i peli superflui del corpo delle donne, nelle zone al di sotto del collo, tramite epilazione (gambe) e rasatura (ascelle e zona bikini). Non utilizzate l'epilatore per altri scopi.
- Per motivi igienici, l'apparecchio e le pinzette "intelligenti" devono essere usati da una sola persona.
- Al fine di evitare danni o lesioni, tenete l'epilatore **in funzione** (con o senza accessori) lontano da capelli, ciglia, sopracciglia, vestiti, fili, corde, spazzole, ecc.
- Non utilizzate l'epilatore e le pinzette "intelligenti" sulla pelle irritata o con vene varicose, irritazioni, brufoli, nei (su cui sono presenti peli) o ferite senza prima consultare il medico.
- Le persone con scarse difese immunitarie o che soffrono di diabete mellito, emofilia o immunodeficienza dovrebbero inoltre consultare prima un dottore.
- Le prime volte che usate l'epilatore, la pelle potrebbe arrossarsi o irritarsi leggermente. Si tratta di un fenomeno del tutto normale e destinato a scomparire rapidamente, non appena la pelle si sarà abituata all'epilazione e i peli saranno più sottili e morbidi. Qualora l'irritazione persista per più di tre giorni, consultate il medico.
- Non fissate direttamente la Opti-light per evitare di rimanere abbagliati.
- Non utilizzate la testina epilatoria senza l'accessorio.
- Non esponete l'epilatore a temperature inferiori a 5 °C o superiori a 35 °C.
- Le pinzette "intelligenti" funzionano solo con batterie alcaline a bottone tipo L763H o AG3 (diam. 7,8 x 3,4 mm).

Campi elettromagnetici (EMF)

Questo apparecchio Philips è conforme a tutti gli standard relativi ai campi elettromagnetici (EMF). Se utilizzato in modo appropriato seguendo le istruzioni contenute nel presente manuale utente, l'apparecchio consente un utilizzo sicuro come confermato dai risultati scientifici attualmente disponibili.

Come ricaricare l'apparecchio

Come ricaricare l'epilatore

La carica dell'epilatore richiede circa 1 ora. Quando l'epilatore è completamente carico, può funzionare senza filo per un massimo di 40 minuti.

- 1 Prima di caricare l'apparecchio, spegnetelo.
- 2 Inserite lo spinotto nella presa dell'apparecchio e l'adattatore nella presa a muro (fig. 5).
 - ▶ La spia di ricarica lampeggia assumendo il colore bianco ad indicare che l'epilatore si sta caricando (fig. 6).
 - ▶ Quando la batteria è completamente carica, la spia di ricarica rimane di colore bianco fisso per 20 minuti per poi spegnersi (fig. 7).

Indicazione batteria scarica

- 1 Quando le batterie sono quasi scariche, la spia di ricarica lampeggia assumendo il colore rosso.

In questo caso le batterie contengono ancora una carica sufficiente per alcuni minuti di funzionamento.

- 2 Quando le batterie sono completamente scariche, la spia di ricarica emette una luce rossa fissa.

Per caricare l'epilatore, seguite i passaggi 1 e 2 della sezione "Come caricare l'epilatore". L'apparecchio può anche funzionare a corrente inserendo lo spinotto nell'apposita presa dell'apparecchio e l'adattatore nella presa a muro.

Suggerimenti per l'epilazione

Prima dell'epilazione

Nota Pulite sempre la testina epilatoria dell'epilatore prima di utilizzarla la prima volta.

- Se viene utilizzato l'epilatore per la prima volta, si consiglia di cominciare con una zona in cui la crescita dei peli è limitata per potersi abituare a questo metodo di epilazione.
- Si consiglia di eseguire l'epilazione prima di andare a letto poiché le irritazioni cutanee solitamente scompaiono durante la notte.
- L'epilazione risulta più facile se effettuata subito dopo la doccia o il bagno. Assicuratevi che la pelle sia perfettamente asciutta prima di iniziare l'epilazione.
- Assicuratevi che la pelle sia pulita, asciutta e priva di sostanze grasse. Non applicate alcuna crema prima dell'epilazione.
- L'epilazione è più semplice e comoda quando i peli non sono più lunghi di 3-4 mm. Se i peli sono più lunghi, si raccomanda di rasare prima la parte e poi epilare i peli ricresciuti dopo 1 o 2 settimane, oppure di utilizzare la testina di rasatura per le zone sensibili con il pettine regola altezza per tagliare prima i peli alla lunghezza ideale.
- Poiché i peli crescono con ciclicità diverse, è consigliabile effettuare l'epilazione per diversi giorni di seguito all'inizio del trattamento. In questo modo potrete rimanere lisce più a lungo poiché i peli inizieranno a ricrescere seguendo la stessa ciclicità.
- L'epilatore viene fornito con la testina epilatoria di base collegata. Se desiderate utilizzarla con la testina ad alte prestazioni o con l'accessorio attivo per il sollevamento dei peli con sistema di massaggio attivo, scollegate la testina epilatoria di base staccandola dall'apparecchio e collegate la testina ad alte prestazioni o l'accessorio attivo per il sollevamento dei peli con sistema di

massaggio attivo (vedere il capitolo "Utilizzo dell'epilatore", sezione "Epilazione delle gambe tramite l'epilatore").

Durante l'epilazione

- L'epilatore può essere utilizzato senza filo tramite batterie ricaricabili, ma può anche essere usato con l'adattatore tramite corrente di rete.
- Durante l'epilazione, tendete la pelle con la mano libera: questo semplice accorgimento consente di sollevare i peli per ridurre al minimo la sensazione di strappo.
- Per ottenere risultati perfetti, posizionate la testina epilatoria ad angolo retto (90°) sulla pelle con il pulsante on/off rivolto in avanti e fatelo scorrere in modo lento e continuo nella direzione contraria a quella di crescita dei peli senza esercitare alcuna pressione.
- In alcune zone, non tutti i peli crescono nella stessa direzione. In questo caso, per ottenere risultati ottimali, potrebbe essere utile muovere l'apparecchio in più direzioni.
- Se sudate durante l'epilazione, asciugate la pelle con un panno morbido.
- Quando utilizzate la testina ad elevate prestazioni, assicuratevi che entrambi i rulli del sistema tensore siano sempre a contatto con la pelle al fine di ottenere risultati ottimali.
- Quando utilizzate l'accessorio attivo per il sollevamento dei peli con sistema di massaggio attivo, assicuratevi che il sistema a rullo attivo e l'accessorio attivo per il sollevamento dei peli siano sempre a contatto con la pelle. Il rullo massaggiante stimola e rilassa la pelle per un'epilazione più delicata.

Dopo l'epilazione

- Per rilassare la pelle, vi consigliamo di applicare subito dopo l'epilazione o dopo qualche ora una crema idratante a seconda di quello che risulta più efficace per la vostra pelle.
- L'utilizzo regolare di una spugna o di una crema esfoliante (ad esempio durante la doccia) 24 ore dopo l'epilazione consente di evitare l'insorgere di peli incarniti, poiché la delicata azione di scrubbing rimuove lo strato superficiale della pelle e i peli possono uscire dalla superficie dell'epidermide.

Utilizzo dell'epilatore

Epilazione delle gambe tramite l'epilatore

- Se vi siete già sottoposte in precedenza a depilazione, potete usare la testina epilatoria di base.
- In caso contrario vi consigliamo di iniziare l'epilazione con la testina ad alte prestazioni. Quest'ultima assicura il contatto ottimale con la pelle mentre la parte inclinabile tende la pelle e prepara i peli per l'epilazione.
- Se i peli rimangono piegati sulla pelle, vi consigliamo di utilizzare l'accessorio attivo per il sollevamento dei peli con sistema di massaggio attivo. Questo accessorio non solo solleva i peli, ma riduce la sensazione di strappo.

Nota Rimuovete la testina epilatoria di base prima di collegare quella ad alte prestazioni o l'accessorio attivo per il sollevamento dei peli con sistema di massaggio attivo.

1 Impugnate entrambi i lati della testina epilatoria di base (1) ed estraetela dall'apparecchio (2) (fig. 8).

2 Inserite l'accessorio desiderato sulla testina epilatoria (fig. 9).

Nota La procedura di inserimento degli accessori sull'apparecchio è sempre la stessa.

3 Premete il pulsante on/off per accendere l'epilatore.

- ▶ L'epilatore inizia a funzionare alla velocità II, ossia quella più efficace per l'epilazione. La spia inferiore dell'impostazione della velocità (II) si accende (fig. 10).
- ▶ Se desiderate utilizzare la velocità I, premete il pulsante on/off un'altra volta. La spia superiore dell'impostazione della velocità (I) si accende (fig. 11).

Consiglio La velocità I è adatta per le zone difficili da raggiungere, con pochi peli e in prossimità di ginocchia e caviglie.

► Se premete il pulsante on/off una terza volta, l'epilatore si spegne.

- 4** Tendete la pelle con la mano libera per sollevare i peli.
- 5** Posizionate la testina epilatoria a un angolo di 90° sulla pelle con il pulsante on/off rivolto verso la direzione di epilazione (fig. 12).
- 6** Passate lentamente l'apparecchio sulla pelle, nel senso opposto alla crescita dei peli.
 - Quando utilizzate la testina ad alte prestazioni, assicuratevi che entrambi i rulli del sistema tensore stiano sempre a contatto con la pelle al fine di ottenere risultati ottimali.
 - Quando utilizzate l'accessorio attivo per il sollevamento dei peli con sistema di massaggio attivo, assicuratevi che il sistema a rullo attivo e l'accessorio attivo per il sollevamento dei peli siano sempre a contatto con la pelle. Il rullo massaggiante stimola e rilassa la pelle per un'epilazione più delicata.

Rasatura delle ascelle e della zona bikini

Utilizzate la testina di rasatura per le zone sensibili come le ascelle e la zona bikini.

- 1** Premete il pulsante di rilascio (1) e rimuovete la testina epilatoria dall'apparecchio (2) (fig. 13).

Nota La testina di rasatura per le zone sensibili può essere rimossa allo stesso modo.

- 2** Posizionate la testina di rasatura per le zone sensibili sull'apparecchio premendo fino a farla scattare in posizione. (fig. 14)

- 3** Accendete l'apparecchio.

Nota Quando usate la testina di rasatura per le zone sensibili, scegliete la velocità II.

- 4** Tendete la pelle con la mano libera. Durante la rasatura delle ascelle, sollevate il braccio per tendere la pelle.
- 5** Posizionate la testina di rasatura per le zone sensibili a un angolo di 90° sulla pelle con il pulsante on/off rivolto verso la direzione di epilazione.
- 6** Muovete sempre l'apparecchio lentamente nel senso opposto a quello della crescita.

Nota Controllate che l'unità di rasatura con il rifinitore integrato sia sempre a contatto con la pelle.

- Radere la zona bikini come indicato nella figura (fig. 15).
- Radete le ascelle come indicato nella figura. Spostate l'apparecchio in più direzioni. (fig. 16)

- 7** Una volta terminata la rasatura, spegnete l'apparecchio e pulite la testina di rasatura per le zone sensibili (consultate il capitolo "Pulizia e manutenzione").
- 8** Per riporre l'apparecchio, posizionate il pettine regola altezza sulla testina di rasatura per le zone sensibili.

Rifinitura tramite il pettine regola altezza

Utilizzate la testina di rasatura per le zone sensibili con il pettine regola altezza collegato per rifinire la zona bikini a una lunghezza di 3 mm.

Potete inoltre utilizzare il pettine regola altezza per tagliare i peli più lunghi di 10 mm delle ascelle e della zona bikini.

- 1** Premete il pulsante di rilascio (1) e rimuovete la testina epilatoria dall'apparecchio (2) (fig. 13).
- 2** Posizionate la testina di rasatura per le zone sensibili sull'apparecchio premendo fino a farla scattare in posizione (fig. 14).

3 Inserite il pettine regola altezza sulla testina di rasatura per le zone sensibili (fig. 17).

4 Seguite i passaggi da 3 a 6 nella sezione “Rasatura delle ascelle e della zona bikini”.

Nota Assicuratevi che la superficie del pettine regola altezza stia sempre a contatto con la pelle per ottenere risultati uniformi.

5 A conclusione delle operazioni di rifinitura, spegnete l'apparecchio e pulite la testina di rasatura per le zone sensibili e il pettine regola altezza (vedere il capitolo “Pulizia e manutenzione”).

6 Per riporre l'apparecchio, posizionate il pettine regola altezza sulla testina di rasatura per le zone sensibili.

Con cavo

Per utilizzare l'epilatore tramite alimentazione di rete, spegnete l'apparecchio e collegatelo a una presa a muro.

Protezione contro il surriscaldamento

L'epilatore è dotato di un sistema di protezione da surriscaldamento che evita che l'apparecchio diventi troppo caldo.

Nota Per evitare il surriscaldamento dell'epilatore, non premete con troppa forza l'epilatore sulla pelle. L'epilatore funziona meglio se non viene esercitata un'eccessiva pressione sulla cute.

1 Se il sistema di protezione da surriscaldamento si attiva, l'apparecchio si spegne automaticamente mentre le spie dell'impostazione della velocità e di carica lampeggiano in rosso.

2 Lasciate raffreddare l'apparecchio.

► Le spie smettono di lampeggiare dopo 30 secondi.

3 Quando l'apparecchio si è raffreddato è possibile riaccenderlo. Se le spie lampeggiano nuovamente in rosso, l'apparecchio non si è ancora raffreddato completamente.

Protezione da sovraccarico

Se premete con troppa forza la testina epilatoria sulla pelle o quando le pinzette rotanti della testina stessa si bloccano (ad esempio se si impigliano nei vestiti), l'apparecchio si ferma e la spia dell'impostazione della velocità lampeggia in rosso per 5 secondi.

1 Verificate che le pinzette rotanti della testina epilatoria non siano bloccate facendole ruotare con il pollice fino a che non viene rimosso l'ostacolo che blocca la rotazione.

2 Accendete nuovamente l'apparecchio.

Non esercitate un'eccessiva pressione sulla pelle.

Utilizzo delle pinzette “intelligenti”

L'epilatore è dotato di pinzette “intelligenti” con luce integrata per una rimozione semplice dei peli del viso (ad esempio quelli delle sopracciglia). Le pinzette “intelligenti” sono protette da una custodia con uno specchio integrato che vi consente di depilarvi quando e dove volete. Le pinzette “intelligenti” sono pronte all'uso grazie alle 3 batterie a bottone inserite nel vano batterie.

Utilizzo delle pinzette

1 Pulite le sopracciglia con un tonico per la pelle o con dell'alcol per evitare che eventuali peli sfuggano tra le estremità delle pinzette.

- 2** Utilizzate un panno caldo per il viso per ammorbidire la pelle prima di usare le pinzette. In questo modo la rimozione dei peli risulta più semplice.
- 3** Pettinate le sopracciglia nella direzione di crescita.
- 4** Utilizzate una matita per gli occhi per delineare la forma desiderata delle sopracciglia. Rimuovete i peli che si trovano al di fuori della zona delimitata.
- 5** Accendete la luce premendo una volta il pulsante on/off.
- 6** Togliete i peli tirandoli sempre verso la direzione di crescita.

Nota Tirate i peli uno ad uno.

Non utilizzate le pinzette “intelligenti” per rimuovere i peli dei nei.

Non puntate la luce delle pinzette “intelligenti” direttamente sugli occhi.

Sostituzione delle batterie

- 1** Aprite il vano batterie e luce ruotando il coperchio in senso antiorario con una moneta (fig. 18).
- 2** Rimuovete le vecchie batterie a bottone (fig. 19).

Tenete le batterie a bottone lontano dalla portata di bambini e animali per evitare il rischio di soffocamento.

- 3** Inserite due nuove batterie a bottone con il polo negativo rivolto in avanti all'interno del vano batterie e luce.

Nota Le pinzette “intelligenti” funzionano con tre batterie alcaline a bottone tipo L736H o AG3 (diam. 7,8 x 3,4 mm).

- 4** Avvitare nuovamente il coperchio del vano batterie e luce ruotandolo in senso orario con una moneta (fig. 20).

Pulizia e manutenzione

Nota Prima di pulire l'apparecchio, verificate che sia spento e scollegato dalla presa di corrente.

Non usate prodotti o sostanze abrasive o detergenti aggressivi, come benzina o acetone, per pulire l'apparecchio.

- Pulite l'apparecchio dopo ogni uso per ottenere prestazioni ottimali.
- Non immergete l'apparecchio o l'adattatore nell'acqua (fig. 21).
- Non bagnate l'apparecchio e l'adattatore (fig. 22).

Pulizia degli accessori

- 1** Rimuovete l'accessorio dalla testina epilatoria (fig. 8).
- 2** Aiutandovi con l'apposita spazzolina, rimuovete i peli all'interno degli accessori (fig. 23).
- 3** Sciacquate gli accessori con acqua tiepida (fig. 24).
- 4** Asciugate gli accessori prima di utilizzarli o di riporli.

Pulizia della testina epilatoria dell'epilatore

- 1** Premete la manopola di rilascio (1) e rimuovete la testina epilatoria dall'apparecchio (2) (fig. 13).
- 2** Rimuovete i peli residui con la spazzola per la pulitura in dotazione (fig. 25).

- 3** Sciacquate la testina epilatoria sotto l'acqua corrente per 5-10 secondi ruotando le pinzette con il pollice (fig. 26).

Nota Non cercate di rimuovere le pinzette epilatorie dalla testina.

- 4** Scuotete la testina epilatoria con decisione (fig. 27).
5 Asciugate accuratamente la testina epilatoria con un panno.

Nota Assicuratevi che la testina epilatoria sia completamente asciutta prima di riposizionarla sull'apparecchio.

- 6** Per inserire nuovamente la testina epilatoria, posizionate la sull'apparecchio e premetela sull'apparecchio fino a che non scatta in posizione (fig. 28).

Pulizia della testina di rasatura per le zone sensibili e del pettine regola altezza

- 1** Rimuovete il pettine regola altezza, nel caso in cui quest'ultimo sia collegato, estraendolo dalla testina di rasatura per le zone sensibili (fig. 29).
2 Rimuovete la testina di rasatura per le zone sensibili premendo il pulsante di rilascio (fig. 30).
3 Rimuovete l'unità di rasatura dalla testina di rasatura per le zone sensibili (fig. 31).
4 Sciacquate l'unità di rasatura, la testina di rasatura per le zone sensibili e il pettine regola altezza in acqua tiepida per 5-10 secondi (fig. 32).
5 Scuotete con decisione l'unità e la testina di rasatura per le zone sensibili nonché il pettine regola altezza (fig. 33).
6 Asciugate la testina di rasatura e il pettine regola altezza con cura utilizzando un asciugamano, quindi lasciate asciugare l'unità di rasatura.

Nota Non esercitate pressione sull'unità di rasatura per evitare di danneggiarla.

- 7** Ricollegate l'unità di rasatura alla testina di rasatura per le zone sensibili. Posizionate la testina di rasatura per le zone sensibili sull'apparecchio premendola in posizione.

Nota Assicuratevi che l'unità di rasatura sia asciutta prima di reinserirla nella testina di rasatura per le zone sensibili e che quest'ultima sia anch'essa priva di umidità prima di reinserirla nell'apparecchio.

- 8** Inserite il pettine regola altezza sulla testina di rasatura per le zone sensibili.

Consiglio Applicate una goccia di olio per macchine da cucire due volte l'anno sull'unità di rasatura per estendere la durata del gruppo lame.

Conservazione

- Inserite il pettine regola altezza sulla testina di rasatura per le zone sensibili per evitare danni.
- Riponete le pinzette "intelligenti" nella custodia dopo l'utilizzo.
- Riponete l'apparecchio e gli accessori nell'elegante custodia.

Blocco da viaggio

L'epilatore è dotato di un blocco da viaggio integrato per evitare l'accensione accidentale.

- 1** Per attivare il blocco da viaggio, tenete premuto il pulsante on/off per 3 secondi fino a che la spia dell'impostazione della velocità non lampeggia in bianco per 2 volte (fig. 34).
 ► L'epilatore inizia a funzionare e si ferma immediatamente quando il blocco da viaggio si attiva.
2 Per disattivare il blocco da viaggio, tenete premuto il pulsante on/off per 3 secondi fino a che la spia dell'impostazione della velocità non lampeggia in bianco per 2 volte (fig. 35).

Nota Potete anche inserire lo spinotto del cavo di alimentazione nella presa dell'apparecchio e l'adattatore nella presa a muro per disattivare il blocco da viaggio.

- ▶ Il blocco da viaggio viene quindi disattivato e l'epilatore può essere attivato nuovamente premendo il pulsante on/off.

Sostituzione

Tutti i componenti dell'apparecchio possono essere sostituiti. Se è necessario sostituire uno o più componenti, rivolgetevi al vostro rivenditore Philips o a un centro autorizzato Philips.

Testina per le zone sensibili

Se utilizzate la testina di rasatura per le zone sensibili due o più volte la settimana, è consigliabile sostituire l'unità di rasatura dopo uno o due anni oppure in caso di danni.

Tutela dell'ambiente

- Per contribuire alla tutela dell'ambiente, non smaltite l'apparecchio con normali i rifiuti domestici, ma consegnatelo a un centro di raccolta autorizzato (fig. 36).

Epilatore

- Le batterie ricaricabili integrate dell'epilatore contengono sostanze potenzialmente nocive per l'ambiente. Rimuovete sempre le batterie prima di smaltire l'apparecchio e consegnarlo a un centro di raccolta ufficiale. Smaltite le batterie in un apposito centro di raccolta. In caso di difficoltà nella rimozione delle batterie, consegnate l'apparecchio a un centro di assistenza Philips, che si occuperà della rimozione e del corretto smaltimento (fig. 37).

Rimozione delle batterie ricaricabili

- 1** Togliete l'adattatore dalla presa a muro e lasciate in funzione l'apparecchio fino a scaricare completamente le batterie.
- 2** Ripetete questo passaggio finché l'epilatore non si accende più.
- 3** Rimuovete la testina epilatoria.
- 4** Rimuovete i pannelli laterali dell'epilatore con un cacciavite (fig. 38).
- 5** Inserite un cacciavite nella scanalatura accanto alla presa che si trova sulla base dell'apparecchio. Girate il cacciavite per separare le due metà del rivestimento (fig. 39).
- 6** Rimuovete il blocco batterie con le batterie dall'apparecchio quindi rimuovete le batterie da quest'ultimo con un cacciavite (fig. 40).
- 7** Tagliate i cavi con un comune paio di forbici e smaltite correttamente le batterie (fig. 41).

Fate in modo che gli oggetti metallici non entrino in contatto con i terminali delle batterie ricaricabili e non causino cortocircuiti.

Non tentate di rimontare l'apparecchio al fine di utilizzarlo dalla presa di corrente in quanto potrebbe essere pericoloso.

Pinzette "intelligenti"

Le batterie non ricaricabili contengono sostanze potenzialmente nocive per l'ambiente. Non smaltite le batterie non ricaricabili insieme ai comuni rifiuti domestici, ma consegnatele ad un apposito centro di raccolta ufficiale. Rimuovete sempre le batterie non ricaricabili prima dello smaltimento delle pinzette "intelligenti" con i normali rifiuti domestici.

Garanzia e assistenza

Per assistenza o informazioni e in caso di problemi, visitate il sito Web Philips all'indirizzo **www.philips.com** oppure contattate il Centro Assistenza Clienti Philips del vostro paese (per conoscere il numero di telefono consultate l'opuscolo della garanzia). Se nel vostro paese non esiste un Centro Assistenza Clienti, rivolgetevi al vostro rivenditore Philips.

Risoluzione dei guasti

In questo capitolo vengono riportati i problemi più ricorrenti legati all'uso dell'apparecchio. Se non riuscite a risolvere i problemi con le informazioni seguenti, vi preghiamo di contattare il Centro Assistenza Clienti Philips del vostro paese.

Problema	Causa	Soluzione
Epilazione poco accurata.	Avete azionato l'epilatore nella direzione sbagliata.	Utilizzate l'apparecchio in senso opposto rispetto alla crescita dei peli con il pulsante on/off rivolto nella direzione in cui si fa scorrere l'epilatore.
	Avete posizionato la testina epilatoria sulla pelle a un'angolazione errata.	Posizionate la testina epilatoria sulla pelle ad un angolo di 90° (vedere il capitolo "Utilizzo dell'epilatore").
	Prima dell'epilazione è stata utilizzata una crema generica o una crema epilatoria.	Assicuratevi che la pelle sia pulita, asciutta e priva di sostanze grasse. Non applicate alcuna crema prima dell'epilazione.
	I peli sono troppo corti.	A volte i peli sono troppo corti per l'epilazione. La lunghezza ottimale per la rimozione è di 3-4 mm. I peli che non vengono tolti durante l'applicazione verranno epilati la volta successiva quando raggiungeranno la lunghezza indicata. Potete anche provare a passare più volte l'apparecchio sulla pelle per rimuoverli più efficacemente.
L'epilatore non funziona.	La presa di corrente a cui è collegato l'apparecchio non funziona.	Assicuratevi che la presa funzioni. Se l'epilatore viene collegato alla presa di un armadietto da bagno potrebbe essere necessario accendere la luce per attivare la presa stessa. Potete inoltre utilizzare anche un'altra presa al di fuori del bagno.
	La protezione dal surriscaldamento è stata attivata.	Quando l'epilatore smette di funzionare e le spie dell'impostazione della velocità e di ricarica iniziano a lampeggiare in rosso, è stata attivata la protezione da surriscaldamento. Lasciate raffreddare l'apparecchio. Le spie non lampeggiano più dopo 30 secondi. Quando l'apparecchio si è raffreddato, accendete nuovamente l'epilatore. Se le spie si riaccendono, l'epilatore non si è ancora raffreddato a sufficienza.

Problema	Causa	Soluzione
	Le batterie ricaricabili sono scariche.	Quando la spia di ricarica si accende fissa in rosso le batterie sono scariche e l'apparecchio deve essere ricaricato (vedere il capitolo "Come ricaricare l'apparecchio"). Quando le batterie sono scariche l'apparecchio può essere utilizzato con la corrente di rete.
	Il blocco da viaggio è attivo.	Tenete premuto il pulsante on/off per 3 secondi fino a che la spia dell'impostazione della velocità non lampeggia in bianco per 2 volte. Il blocco da viaggio viene disattivato ed è quindi possibile premere il pulsante on/off per accendere l'epilatore. Potete anche inserire lo spinotto del cavo di alimentazione nella presa dell'apparecchio e l'adattatore nella presa a muro per disattivare il blocco da viaggio.
	È scattato il sistema di protezione da sovraccarico perché qualcosa è rimasto incastrato tra le pinzette rotanti o perché l'apparecchio viene premuto troppo sulla pelle.	Quando il sistema di protezione da sovraccarico scatta, la spia dell'impostazione della velocità lampeggia in rosso. Ruotate le pinzette con il pollice fino a che l'oggetto che le blocca non può essere rimosso con facilità. Successivamente riaccendete l'apparecchio. Non premete l'apparecchio con troppa forza sulla pelle.

Introdução

Parabéns pela sua compra e bem-vindo à Philips! Para tirar todo o partido da assistência fornecida pela Philips, registe o seu produto em www.philips.com/welcome.

Esta depiladora SatinPerfect da Philips é fabricada na Europa de acordo com os padrões mais elevados de engenharia e foi concebida tendo em conta as necessidades actuais da mulher. Por todo o mundo, muitas mulheres estão envolvidas nos nossos processos de desenvolvimento e produção. Elas fornecem-nos informações relativas aos nossos conceitos e produtos para lhe proporcionar a melhor qualidade possível.

A nova depiladora SatinPerfect oferece-lhe o melhor desempenho na remoção de pêlos corporais indesejados, proporcionando-lhe uma suavidade perfeita e de longa duração de forma agradável.

A depiladora tem um design topo de gama e características especiais. A cabeça de depilação cobre uma área máxima de pele e as suas pinças são fabricadas em material cerâmico, o que garante uma aderência perfeita mesmo nos pêlos mais finos para uma fácil remoção do pêlo. Os pêlos são removidos pela raiz e crescem mais finos e menos visíveis.

A SatinPerfect tem um formato ergonómico. É subtilmente curvada para garantir que a depiladora segue cada curva do seu corpo. O seu controlo de velocidade mantém a velocidade de depilação ideal para resultados perfeitos, independentemente de pressionar com muita ou pouca força. O acessório com luz ajuda-o a encontrar e remover até os pêlos mais complicados, para que não reste nenhum pêlo.

O sistema activo de levantamento do pêlo, na parte anterior do sistema activo de levantamento do pêlo com massagem activa, vibra delicadamente e levanta os pêlos que se encontram na horizontal, encostados à pele, para que estes possam ser facilmente removidos. O rolo de massagem activo na parte posterior do sistema activo de levantamento do pêlo com massagem activa vibra para proporcionar à pele uma sensação agradável que acalma o efeito da depilação.

O acessório para desempenho optimizado, que roda para seguir as curvas do seu corpo permitindo um contacto perfeito com a pele, proporciona-lhe um desempenho optimizado na remoção de pêlos e pernas com uma suavidade perfeita e duradoura.

O sistema para esticar a pele do acessório para desempenho optimizado estica suavemente a pele para que possam ser removidos até os pêlos mais pequenos.

Descrição geral (fig. 1)

- A** Depiladora
- B** Luz de carga
- C** Indicações das regulações de velocidade
- D** Botão de ligar/desligar
 - Premir uma vez para a velocidade II
 - Premir duas vezes para a velocidade I
- E** Acessório com luz
- F** Cabeça de depilação
- G** Botão de desencaixe
- H** Acessório básico de depilação
- I** Cabeça de corte para áreas sensíveis
- J** Pente do aparador
- K** Acessório para desempenho optimizado
- L** Sistema para esticar a pele
- M** Sistema activo de levantamento do pêlo com massagem activa
- N** Rolo de massagem activo
- O** Sistema activo de levantamento do pêlo
- P** Escova de limpeza
- Q** Adaptador
- R** Pinça inteligente
 - 1** Luz da pinça inteligente

52 PORTUGUÊS

- 2 Botão para ligar/desligar a luz
- 3 Compartimento das pilhas e da luz
- 4 Estojo de arrumação da pinça inteligente
- 5 Pilhas tipo botão

S Bolsa luxuosa (não ilustrada)

Importante

Leia cuidadosamente este manual do utilizador antes de utilizar o aparelho e a pinça inteligente e guarde-o para uma eventual consulta futura.

Perigo

- Mantenha o aparelho e o transformador secos.
- Não utilize o aparelho próximo de ou sobre um lavatório ou banheira com água (fig. 2).
- Não utilize o aparelho no banho ou no duche (fig. 3).
- Se utilizar a depiladora na casa de banho, não utilize uma extensão (fig. 4).

Aviso

- Carregue a depiladora apenas com o adaptador fornecido.
- Não utilize o aparelho, um acessório ou o transformador, se este estiver danificado ou avariado para evitar ferimentos. Não utilize a pinça inteligente, se esta estiver danificada ou avariada para evitar ferimentos.
- Se o transformador se danificar, só deverá ser substituído por uma peça de origem para evitar situações de perigo.
- O adaptador contém um transformador. Não corte o adaptador para o substituir por outro, porque isso poderá dar origem a situações de perigo.
- Verifique se a voltagem indicada no adaptador corresponde à voltagem eléctrica local antes de ligar o aparelho.
- O aparelho não se destina a ser utilizado por pessoas (incluindo crianças) com capacidades físicas, sensoriais ou mentais reduzidas, ou com falta de experiência e conhecimentos, salvo se tiverem recebido supervisão ou instruções sobre o uso do aparelho por alguém responsável pela sua segurança.
- As crianças devem ser supervisionadas para garantir que não brincam com o aparelho.
- A pinça inteligente não é um brinquedo. Mantenha-a fora do alcance das crianças.

Cuidado

- A depiladora destina-se apenas à remoção de pêlos femininos em áreas abaixo do pescoço por arranque (pernas) e corte (axilas e virilhas). Não utilize a depiladora para qualquer outra finalidade.
- Por razões higiénicas, o aparelho e a pinça inteligente devem ser utilizados apenas por uma pessoa.
- Para evitar danos e lesões, afaste a depiladora **em funcionamento** (com ou sem acessório) de cabelo, sobrancelhas, pestanas, roupa, linhas, fios, escovas, etc.
- Não utilize a depiladora e a pinça inteligente na pele irritada ou com varizes, eczemas, manchas, sinais (com pêlos) ou feridas sem consultar primeiro o médico.
- As pessoas com imunidade reduzida ou que sofram de diabetes, hemofilia ou imunodeficiência devem consultar primeiro o seu médico.
- A pele pode ficar ligeiramente avermelhada e irritada nas primeiras utilizações da depiladora. Este fenómeno é absolutamente normal e depressa desaparecerá. À medida que for utilizando a depiladora com maior frequência, a pele habitua-se à depilação, a irritação diminui e os pêlos crescem mais finos e macios. Se a irritação não desaparecer nos três dias seguintes, é aconselhável consultar um médico.
- Não olhe directamente para o acessório com luz para evitar ficar ofuscado pela luz.
- Não utilize a cabeça de depilação do aparelho sem o acessório.
- Não exponha a depiladora a temperaturas inferiores a 5 °C ou superiores a 35 °C.

- Utilize a pinça inteligente apenas com pilhas alcalinas tipo botão L763H ou AG3 (diam. 7,8 x 3,4 mm).

Campos electromagnéticos (CEM)

Este aparelho Philips cumpre todas as normas relacionadas com campos electromagnéticos (EMF). Se for manuseado correctamente e de acordo com as instruções presentes no manual do utilizador, o aparelho proporciona uma utilização segura, como demonstrado pelas provas científicas actualmente disponíveis.

Carregar

Carregar a depiladora

Carregar a depiladora demora aprox. 1 hora. Quando a depiladora está totalmente carregada, tem um tempo de funcionamento sem fios de até 40 minutos.

- 1** Desligue o aparelho antes de o carregar.
- 2** Introduza a ficha do aparelho na tomada do mesmo e ligue o adaptador à tomada eléctrica (fig. 5).
 - ▶ A luz de carregamento fica intermitente a branco para indicar que a depiladora está carregada (fig. 6).
 - ▶ Quando a bateria estiver totalmente carregada, a luz de carregamento acende continuamente a branco durante 20 minutos e, em seguida, apaga-se (fig. 7).

Indicação de bateria fraca

- 1** Quando as baterias tiverem quase sem carga, a luz de carregamento fica intermitente a vermelho.

Quando a luz de carga ficar intermitente a vermelho, as baterias ainda têm energia suficiente para alguns minutos de funcionamento.

- 2** Quando as baterias estiverem totalmente vazias, a luz de carga acende-se a vermelho e mantém-se continuamente acesa.

Para carregar a depiladora, siga os passos 1 e 2 na secção “Carregar a depiladora” apresentados acima. Também pode utilizar o aparelho directamente a partir da rede eléctrica, ligando a ficha do aparelho à tomada do aparelho e o transformador a uma tomada eléctrica.

Dicas sobre depilação

Antes de começar a depilação

Nota: Limpe sempre a cabeça de depilação antes da primeira utilização.

- Ao utilizar a depiladora pela primeira vez, é aconselhável experimentar numa zona com poucos pêlos para se adaptar ao sistema de depilação.
- Nós aconselhamo-la a fazer a depilação à noite antes de ir para a cama, visto que, normalmente, a irritação da pele desaparece durante a noite.
- A depilação torna-se mais fácil se for feita após o banho ou duche. Certifique-se de que a sua pele está completamente seca quando fizer a depilação.
- Certifique-se de que a sua pele está limpa, completamente seca e sem qualquer gordura. Não utilize cremes antes de começar a depilação.
- A depilação torna-se mais fácil e confortável quando o pêlo tem um comprimento ideal de 3 a 4 mm. Se os pêlos forem demasiado compridos, recomendamos que os corte com lâmina primeiro e que depile os pêlos que crescerem 1 ou 2 semanas depois, ou que utilize a cabeça de corte para zonas sensíveis com o pente aparador para aparar os pêlos para o tamanho ideal.
- Visto que os seus pêlos crescem em ciclos diferentes, o melhor é repetir a depilação nos dias seguintes, após a primeira depilação. Isto ajuda-la-á a manter-se sem pêlos durante mais tempo, visto que os seus pêlos voltarão a crescer segundo o mesmo ciclo e ritmo.

- A depiladora é fornecida com o acessório básico de depilação encaixado. Se a quiser utilizar com o acessório de desempenho otimizado ou o sistema activo de levantamento do pêlo com massagem activa, retire o acessório básico de depilação puxando-o para fora do aparelho e encaixe o acessório de desempenho otimizado ou o sistema activo de levantamento do pêlo com massagem activa (consulte o capítulo “Utilização da depiladora”, secção “Depilação das pernas com a depiladora”).

Durante a depilação

- A depiladora pode ser utilizada sem fios com as baterias recarregáveis, mas também pode ser utilizada com o transformador ligado à corrente eléctrica.
- Ao depilar, estique a pele com a mão livre. Assim, levanta os pêlos e minimiza a sensação de desconforto.
- Para obter o melhor desempenho, coloque a cabeça de depilação sobre a pele a um ângulo de 90° com o botão para ligar/desligar voltado para direcção de movimentação do aparelho. Movimente o aparelho sobre a pele, de forma lenta e contínua, na direcção contrária ao crescimento dos pêlos, sem exercer pressão.
- Em algumas áreas, os pêlos podem crescer em direcções diferentes. Neste caso, poderá ser útil movimentar o aparelho em direcções diferentes para alcançar os melhores resultados.
- Se transpirar durante a depilação, seque a pele com um pano seco.
- Quando utiliza o acessório de desempenho otimizado, certifique-se de que os dois rolos do sistema para esticar a pele se mantêm sempre em contacto com a pele para garantir que obtém um resultado perfeito.
- Quando utiliza o sistema activo de levantamento do pêlo com massagem activa, certifique-se de que o rolo de massagem activo e o sistema activo de levantamento do pêlo se mantêm em contacto com a pele. O rolo de massagem estimula e descontraí a pele para uma depilação mais delicada.

Depois da depilação

- Para descontraír a pele, nós aconselhamos a aplicação de um creme hidratante imediatamente após a depilação ou algumas horas depois, dependendo do que é melhor para a sua pele.
- O uso regular de um esponja ou creme esfoliante (p. ex. durante o banho) 24 horas após a depilação ajuda a evitar pêlos encravados, visto que a acção de fricção suave remove a camada superior da pele e os pêlos finos conseguem atravessar a superfície da pele.

Utilização da depiladora

Depilação das pernas com a depiladora

- Se já tiver alguma experiência de depilação, basta utilizar a cabeça de depilação com o acessório básico de depilação.
- Se não estiver habituada à depilação, aconselhamo-la a começar a depilação com o acessório de desempenho otimizado. Este acessório garante um contacto perfeito com a pele e a sua cabeça rotativa estica a pele e prepara os pêlos para a depilação.
- Se os pêlos estiverem encostados horizontalmente à pele, aconselhamos a utilização do sistema activo de levantamento do pêlo com massagem activa. Além de levantar o pêlo, o sistema activo de levantamento do pêlo com massagem activa também reduz a sensação de desconforto da depilação através do seu rolo de massagem activo.

Nota: Retire o acessório de depilação básico antes de colocar o acessório de desempenho otimizado ou o sistema activo de levantamento do pêlo com massagem activa.

1 Agarre nos dois lados do acessório básico de depilação (1) e puxe-o para fora do aparelho (2) (fig. 8).

2 Coloque o acessório pretendido na cabeça de depilação (fig. 9).

Nota: O procedimento para colocação de acessórios é o mesmo para todos os acessórios.

- 3** Prima uma vez o botão ligar/desligar na depiladora.
 - ▶ A depiladora começa a funcionar na velocidade II, que é a velocidade mais eficaz para a depilação. A indicação inferior da regulação da velocidade II acende (fig. 10).
 - ▶ Se quiser utilizar a velocidade I, prima o botão para ligar/desligar uma segunda vez. A indicação superior da regulação da velocidade I acende (fig. 11).

Sugestão: A velocidade I é apropriada para zonas com poucos pêlos, zonas difíceis de alcançar e zonas mais ossudas, como os joelhos e os tornozelos.

- ▶ Quando premir o botão para ligar/desligar uma terceira vez, a depiladora desliga.

- 4** Estique a pele com a mão livre para levantar os pêlos.
- 5** Coloque a cabeça de depilação a um ângulo de 90° em relação à pele com o botão para ligar/desligar voltado na direcção em que vai movimentar o aparelho (fig. 12).
- 6** Movimente o aparelho lentamente ao longo da pele na direcção contrária ao crescimento do pêlo.
 - Quando utiliza o acessório de desempenho optimizado, certifique-se de que os dois rolos do sistema para esticar a pele se mantêm sempre em contacto com a pele para garantir um resultado perfeito.
 - Quando utiliza o sistema activo de levantamento do pêlo com massagem activa, certifique-se de que o rolo de massagem activo e o sistema activo de levantamento do pêlo se mantêm em contacto com a pele. O rolo de massagem estimula e descontraí a pele para uma depilação mais delicada.

Depilação das axilas e das virilhas

Utilize a cabeça de corte para zonas sensíveis para remover os pêlos em áreas sensíveis como as axilas e as virilhas.

- 1** Prima o botão de libertação (1) e retire a cabeça de depilação da depiladora (2) (fig. 13).

Nota: A cabeça de corte para zonas sensíveis pode ser retirada da mesma forma.

- 2** Coloque a cabeça de corte para zonas sensíveis no aparelho e pressione-a até esta encaixar na sua posição (ouve-se um estalido). (fig. 14)
- 3** Ligue o aparelho.

Nota: Utilize a velocidade II quando cortar o pêlo com a cabeça de corte para zonas sensíveis.

- 4** Estique a pele com a mão livre. Quando cortar o pêlo das axilas, levante o braço para esticar a pele.
- 5** Coloque a cabeça de corte para zonas sensíveis a um ângulo de 90° em relação à pele com o botão para ligar/desligar voltado na direcção em que vai movimentar o aparelho.
- 6** Movimente o aparelho lentamente na direcção contrária ao crescimento do pêlo.

Nota: Certifique-se de que a unidade de corte com o aparador integrado está sempre totalmente em contacto com a pele.

- Faça a depilação das virilhas tal como é indicado na figura (fig. 15).
- Corte os pêlos das axilas, tal como indicado na figura. Movimente o aparelho em várias direcções. (fig. 16)

- 7** Quando tiver terminado o processo de corte, desligue o aparelho e limpe a cabeça de corte para zonas sensíveis (consulte o capítulo “Limpeza e manutenção”).
- 8** Coloque o pente aparador na cabeça de corte para zonas sensíveis quando guardar o aparelho.

Aparar com o pente aparador

Use a cabeça de corte para zonas sensíveis com o pente aparador colocado para aparar os pêlos das virilhas para um comprimento de 3 mm.

Também pode utilizar o pente aparador para aparar pêlos compridos (maiores do que 10 mm) nas axilas e virilhas antes da depilação.

- 1** Prima o botão de libertação (1) e retire a cabeça de depilação da depiladora (2) (fig. 13).
- 2** Coloque a cabeça de corte para zonas sensíveis no aparelho e pressione-a até esta encaixar na sua posição (ouve-se um estalido) (fig. 14).
- 3** Coloque o pente aparador na cabeça de corte para zonas sensíveis (fig. 17).
- 4** Siga os passos 3 a 6 na secção “Depilação das axilas e virilhas”.

Nota: Certifique-se de que a superfície do pente aparador se mantém sempre em contacto com a pele para garantir que os pêlos são aparados uniformemente.

- 5** Depois de terminar de aparar, desligue o aparelho e limpe a cabeça de corte para zonas sensíveis e o pente aparador (consulte o capítulo “Limpeza e manutenção”).
- 6** Coloque o pente aparador na cabeça de corte para zonas sensíveis quando guardar o aparelho.

Utilização com fio

Para utilizar a depiladora a partir da rede eléctrica, desligue o aparelho e ligue-o à rede eléctrica.

Protecção contra sobreaquecimento

A depiladora tem uma protecção integrada contra sobreaquecimento, que previne o sobreaquecimento do aparelho.

Nota: Para evitar o sobreaquecimento da depiladora, não pressione o aparelho contra a pele com demasiada força. A depiladora funciona melhor quando a desloca sobre a pele sem exercer qualquer pressão.

- 1** Se a protecção contra sobreaquecimento for activada, o aparelho desliga-se automaticamente, as indicações da regulação da velocidade e a luz de carga ficam intermitentes a vermelho.
- 2** Deixe o aparelho arrefecer.
 - ▶ A luz pára de piscar 30 segundos depois.
- 3** Quando o aparelho já tiver arrefecido, pode voltar a ligá-lo. Se as luzes ficarem novamente intermitentes a vermelho, o aparelho ainda não arrefeceu completamente.

Protecção contra sobrecarga

Se pressionar a cabeça de depilação com demasiada força sobre a sua pele ou se as pinças rotativas da cabeça de depilação ficarem bloqueadas (p. ex. por roupas, etc.), o aparelho pára e as indicações da regulação da velocidade ficam intermitentes a vermelho durante 5 segundos.

- 1** Verifique se as pinças rotativas da cabeça de depilação estão bloqueadas rodando as pinças com o seu polegar até conseguir remover a causa do bloqueio.
- 2** Volte a ligar o aparelho.

Não pressione demasiado o aparelho contra a pele.

Utilização da pinça inteligente

A sua depiladora é fornecida com uma pinça inteligente com luz integrada para uma remoção simples de pêlos faciais, como sobrancelhas. A pinça inteligente é protegida por um estojo com um espelho integrado que lhe permite uma utilização onde e quando quiser. As pinças inteligentes são fornecidas prontas a usar com 3 pilhas tipo botão no compartimento das pilhas.

Utilização da pinça

- 1** Limpe as suas sobrancelhas com tónico para a pele ou álcool para evitar que os pêlos deslizem nas pontas da pinça.
- 2** Utilize um pano macio quente para suavizar a pele antes de usar a pinça. Isto facilita a remoção dos pêlos.
- 3** Penteie as sobrancelhas na direcção do crescimento dos pêlos.
- 4** Utilize um lápis para os olhos para marcar o formato desejado das suas sobrancelhas. Remova todos os pêlos fora do formato marcado.
- 5** Ligue a luz premindo uma vez o botão para ligar/desligar.
- 6** Puxe sempre o pêlo na direcção crescimento do mesmo.

Nota: Puxe um pêlo de cada vez.

Não utilize a pinça inteligente para remover pêlos que crescem em sinais.

Nunca aponte a luz da pinça inteligente para os seus olhos, ou de outra pessoa.

Substituição das pilhas

- 1** Abra o compartimento das pilhas e da luz rodando a parte inferior para a esquerda com a ajuda de uma moeda (fig. 18).
- 2** Retire as pilhas tipo botão já usadas (fig. 19).

Mantenha as pilhas tipo botão fora do alcance das crianças e animais de estimação. As pilhas tipo botão representam um risco de asfixia.

- 3** Insira as novas pilhas tipo botão com o pólo negativo voltado para a frente no compartimento das pilhas e da luz.

Nota: A pinça inteligente funciona com três pilhas alcalinas tipo botão L736H ou AG3 (diam. 7,8 x 3,4 mm).

- 4** Volte a aparafusar a parte inferior no compartimento das pilhas e da luz, rodando-a para a direita com uma moeda (fig. 20).

Limpeza e manutenção

Nota: Certifique-se de que o aparelho está desactivado e desligado da corrente, antes de começar a limpá-lo.

Nunca utilize esfregões, agentes de limpeza abrasivos ou líquidos agressivos, tais como petróleo ou acetona, para limpar o aparelho.

- Limpe o aparelho depois de cada utilização para garantir um melhor desempenho.
- Nunca enxagúe o aparelho ou o adaptador debaixo da torneira (fig. 21).
- Mantenha o aparelho e o transformador secos (fig. 22).

Limpar os acessórios

- 1 Retire o acessório da cabeça de depilação (fig. 8).
- 2 Remova os pêlos soltos dos acessórios com a escova de limpeza (fig. 23).
- 3 Lave os acessórios em água morna enquanto os roda (fig. 24).
- 4 Seque os acessórios antes de os utilizar ou guardar.

Limpeza da cabeça de depilação

- 1 Prima o botão de libertação (1) e retire a cabeça de depilação do aparelho (2) (fig. 13).
- 2 Retire os pêlos soltos com a escova incluída (fig. 25).
- 3 Lave a cabeça de depilação em água corrente durante 5 a 10 segundos enquanto roda as pinças com o seu polegar (fig. 26).

Nota: Nunca tente remover as pinças de depilação da cabeça de depilação.

- 4 Agite a cabeça de depilação com firmeza (fig. 27).
- 5 Seque cuidadosamente a cabeça de depilação com um pano de algodão.

Nota: Certifique-se de que a cabeça de depilação se encontra completamente seca antes de a colocar no aparelho.

- 6 Para voltar a colocar a cabeça de depilação, coloque-a no aparelho e pressione-a até esta encaixar na sua posição (ouve-se um estalido) (fig. 28).

Limpeza da cabeça de corte para zonas sensíveis e do pente aparador

- 1 Retire o pente aparador, se colocado, puxando-o para fora da cabeça de corte para zonas sensíveis (fig. 29).
- 2 Retire a cabeça de corte para zonas sensíveis pressionando o botão de libertação (fig. 30).
- 3 Retire a unidade de corte da cabeça de corte para zonas sensíveis (fig. 31).
- 4 Lave a unidade de corte, a cabeça de corte para zonas sensíveis e o pente aparador na torneira com água morna durante 5 a 10 segundos, enquanto os roda lentamente (fig. 32).
- 5 Sacuda, com firmeza, a unidade de corte, a cabeça de corte para zonas sensíveis e o pente aparador (fig. 33).
- 6 Seque a cabeça de corte para zonas sensíveis e o pente aparador cuidadosamente com um pano de algodão e deixe a unidade de corte secar.

Nota: Não exerça demasiada pressão sobre a unidade de corte para evitar danos.

- 7 Volte a colocar a unidade de corte na cabeça de corte para zonas sensíveis. Coloque a cabeça de corte para zonas sensíveis no aparelho e pressione-a até ela encaixar na posição (ouve-se um estalido).

Nota: Certifique-se de que a unidade de corte está seca antes de a colocar na cabeça de corte para zonas sensíveis e de que a cabeça de corte para zonas sensíveis está completamente seca antes de a colocar novamente no aparelho.

- 8 Coloque o pente aparador na cabeça de corte para zonas sensíveis.

Sugestão: Aplique uma gota de óleo para máquinas de costura na unidade de corte duas vezes por ano para prolongar a durabilidade do elemento de corte.

Arrumação

- Coloque o pente aparador na cabeça de corte para zonas sensíveis para evitar danos.
- Coloque a pinça inteligente no estojo para arrumação depois da utilização.
- Guarde o aparelho e os acessórios na bolsa de luxo.

Bloqueio de viagem

A depiladora tem um bloqueio de viagem integrado que evita que o aparelho se ligue acidentalmente quando este é transportado.

- 1** Para activar o bloqueio de viagem, mantenha o botão para ligar/desligar premido durante 3 segundos até as indicações da regulação de velocidade apresentarem 2 intermitências a branco (fig. 34).
 - ▶ A depiladora começa a funcionar e pára imediatamente quando o bloqueio de viagem fica activo.
- 2** Para desactivar o bloqueio de viagem, mantenha o botão para ligar/desligar premido durante 3 segundos até as indicações da regulação de velocidade apresentarem 2 intermitências a branco (fig. 35).

Nota: Também pode ligar a ficha do aparelho à tomada de entrada e o transformador a uma tomada eléctrica para desactivar o bloqueio de viagem.

- ▶ O bloqueio de viagem encontra-se agora desactivado e pode ligar novamente a depiladora premindo o botão para ligar/desligar.

Substituição

Todas as peças do aparelho podem ser substituídas. Se for necessário substituir uma ou várias peças, contacte o seu representante Philips ou um Centro de Assistência Philips autorizado.

Cabeça de corte para áreas sensíveis

Se utilizar a cabeça de corte para zonas sensíveis duas ou mais vezes por semana, nós recomendamos a substituição da unidade de corte após um ou dois anos ou quando esta estiver danificada.

Meio ambiente

- Não deite fora o aparelho junto com o lixo doméstico normal no final da sua vida útil; entregue-o num ponto de recolha oficial para reciclagem. Ao fazê-lo, ajuda a preservar o ambiente (fig. 36).

Depiladora

- As baterias recarregáveis incorporadas contêm substâncias que podem poluir o ambiente. Retire sempre as baterias antes de eliminar o aparelho e entregue-o num ponto de recolha oficial. Elimine as baterias num ponto de recolha oficial para baterias. Se tiver problemas na remoção das baterias, também pode levar o aparelho a um centro de assistência Philips, onde as suas baterias serão retiradas e eliminadas de forma segura para o ambiente (fig. 37).

Retirar as baterias recarregáveis

- 1** Desligue o transformador da tomada eléctrica e deixe o aparelho a trabalhar até gastar as baterias.
- 2** Repita este passo até não ser possível ligar a depiladora.
- 3** Retire a cabeça de depilação.
- 4** Retire os painéis laterais da depiladora com uma chave de fendas (fig. 38).

60 PORTUGUÊS

- 5 Insira a chave de fendas na ranhura ao lado da tomada para a ficha do aparelho na parte inferior do mesmo. Rode a chave de fendas para separar as duas metades da estrutura (fig. 39).
- 6 Retire o suporte das baterias com as respectivas baterias do aparelho. Retire as baterias do suporte com uma chave de fendas (fig. 40).
- 7 Corte os fios com uma tesoura e desfaça-se das baterias de forma adequada (fig. 41).

Evite o contacto entre objectos metálicos e os terminais da bateria recarregável, caso contrário a bateria sofrerá um curto-circuito.

Não tente montar novamente o aparelho para o ligar à corrente eléctrica. Isto é perigoso.

Pinça inteligente

As pilhas não recarregáveis contêm substâncias que podem poluir o ambiente. Não coloque as pilhas não recarregáveis no lixo doméstico normal; coloque-as num ponto de recolha oficial para pilhas. Retire sempre as pilhas não recarregáveis antes de colocar a pinça inteligente no lixo doméstico normal.

Garantia e assistência

Se precisar de assistência ou informações, ou se tiver algum problema, visite o Web site da Philips em www.philips.pt ou contacte o Centro de Assistência ao Consumidor Philips no seu país (poderá encontrar o número de telefone no folheto de garantia mundial). Se não houver um Centro de Assistência ao Consumidor no seu país, dirija-se ao representante local da Philips.

Resolução de problemas

Este capítulo resume os problemas mais comuns que pode ter com o aparelho. Se não conseguir resolver o problema com as informações fornecidas a seguir, contacte o Centro de Assistência ao Cliente do seu país.

Problema	Causa	Solução
Os resultados não satisfazem	Movimentou a depiladora na direcção errada.	Desloque o aparelho no sentido contrário à direcção de crescimento dos pêlos, com o botão ligar/desligar na direcção para a qual está a mover a depiladora.
	Colocou a cabeça de depilação sobre a pele num ângulo errado.	Certifique-se de que coloca a cabeça de depilação sobre a pele a um ângulo de 90° (consulte o capítulo "Utilizar a depiladora").
	Utilizou um creme ou creme depilatório antes da depilação.	Certifique-se de que a sua pele está limpa, completamente seca e sem qualquer gordura. Não utilize cremes antes de começar a depilação.
	Os pêlos são demasiado curtos.	Por vezes, os pêlos estão demasiado curtos para serem agarrados. O comprimento ideal para uma fácil remoção do pêlo é de 3 a 4 mm. Os pêlos que não são removidos durante esta sessão, estarão suficientemente compridos da próxima vez que se depilar. Pode também tentar remover os pêlos movendo o aparelho pela pele mais algumas vezes.

Problema	Causa	Solução
A depiladora não funciona.	A tomada à qual o aparelho está ligado não funciona.	Certifique-se de que a ficha tem corrente. Se ligar a depiladora a uma tomada no armário da casa-de-banho, poderá ter de acender a luz da casa de banho para se certificar que a tomada tem corrente. Também pode utilizar uma tomada em funcionamento fora da casa de banho.
	A protecção de sobreaquecimento foi activada.	Quando a depiladora parar de funcionar e as indicações da regulação da velocidade e a luz de carga ficarem intermitentes a vermelho, a protecção contra sobreaquecimento foi activada. Deixe o aparelho arrefecer. A intermitência das luzes pára 30 segundos depois. Quando o aparelho arrefecer, volte a ligar a depiladora. Se as luzes ficarem novamente intermitentes, a depiladora ainda não arrefeceu o suficiente.
	As baterias recarregáveis estão vazias.	Quando a luz de carga se mantém continuamente acesa a vermelho, as baterias estão vazias e é necessário recarregar o aparelho (consulte o capítulo "Carregar"). Também pode operar o aparelho a partir da corrente eléctrica quando as baterias estão vazias.
	O bloqueio de viagem está activo.	Prima o botão ligar/desligar durante 3 segundos até as indicações da regulação da velocidade apresentarem 2 intermitências a branco. O bloqueio de viagem foi desactivado e pode premir o botão ligar/desligar para ligar o aparelho. Também pode inserir a ficha do aparelho na tomada de entrada e o transformador numa tomada eléctrica para desactivar o bloqueio de viagem.
	A protecção contra sobrecarga é activada quando algo fica preso nas pinças rotativas ou se pressionar o aparelho com demasiada força sobre a sua pele.	Quando a protecção contra sobrecarga é activada, as indicações das regulações de velocidade ficam intermitentes a vermelho. Rode as pinças com o seu polegar até poder remover facilmente o item que está a bloquear as pinças rotativas. De seguida, volte a ligar o aparelho. Não pressione o aparelho contra a sua pele com demasiada força.

Introdução

Parabéns pela sua compra e bem-vindo à Philips! Para aproveitar ao máximo o suporte oferecido pela Philips, registre o produto em www.philips.com/welcome.

Este depilador Philips SatinPerfect foi produzido na Europa, em conformidade com os mais altos padrões de engenharia e projetado em função das necessidades da mulher atual. Em todo o mundo, muitas mulheres estão envolvidas nos nossos processos de desenvolvimento e produção. Seus comentários sobre nossos conceitos e produtos ajudam a proporcionar a você a melhor qualidade possível.

O novo depilador SatinPerfect oferece o melhor desempenho na remoção de pêlos indesejados, oferecendo uma maciez perfeita e prolongada, com muito conforto.

Este depilador tem design superior e recursos inteligentes. A cabeça depiladora abrange uma grande área da pele e suas pinças são feitas de material de cerâmica, o que assegura a captura correta até mesmo dos pêlos mais finos, facilitando a remoção. Os pêlos são removidos pela raiz e crescem mais finos e menos visíveis.

O SatinPerfect é ergonômico. Levemente curvo, ele acompanha todos os contornos do seu corpo. Seu controle de velocidade mantém a velocidade de depilação ideal para resultados perfeitos, independentemente da pressão exercida. O recurso Opti-light ajuda a detectar e remover até mesmo os pêlos mais difíceis para que nenhum fique para trás.

Este aparelho apresenta na parte frontal um sistema que levanta os pêlos com uma massagem ativa que vibra suavemente, facilitando a remoção. Além disso, o mecanismo giratório para massagem ativa na parte traseira do aparelho dá à pele uma sensação agradável que suaviza o efeito da depilação.

A capa redutora para um ótimo desempenho, articulada para acompanhar os contornos do seu corpo e proporcionar o melhor contato com a pele, oferece excelente desempenho na remoção de pêlos e pernas macias e perfeitas por mais tempo.

O mecanismo para esticar a pele existente na capa redutora estica a pele suavemente para que até mesmo os menores pêlos possam ser removidos.

Descrição geral (fig. 1)

- A** Depilador
- B** Luz piloto de recarga
- C** Indicadores de controle de velocidade
- D** Botão liga/desliga
 - Pressione uma vez para a velocidade II
 - Pressione duas vezes para a velocidade I
- E** Opti-light
- F** Cabeça depiladora
- G** Botão de liberação
- H** Capa de depilação básica
- I** Cabeça de corte para áreas sensíveis
- J** Pente para aparar
- K** Capa redutora para um ótimo desempenho
- L** Estica a pele
- M** Sistema que levanta os pêlos com massagem ativa
- N** Mecanismo giratório para massagem
- O** Sistema que levanta os pêlos
- P** Escova de limpeza
- Q** Adaptador
- R** Pinças inteligentes
 - 1** Luz das pinças inteligentes
 - 2** Botão liga/desliga da luz
 - 3** Compartimento de bateria e luz

- 4 Estojo de armazenamento das pinças inteligentes
- 5 Baterias de botão
- S Nécessaire de luxo (não ilustrado)

Importante

Leia este manual atentamente antes de usar o aparelho e as Pinças inteligentes e guarde-o para consultas futuras.

Perigo

- Mantenha o aparelho e o adaptador secos.
- Não use o aparelho próximo ou sobre bacias ou banheiras com água (fig. 2).
- Não use o aparelho na banheira ou no chuveiro (fig. 3).
- Se usar o aparelho no banheiro, não use extensão (fig. 4).

Aviso

- Somente carregue o aparelho com o adaptador fornecido.
- Não use o aparelho, os acessórios, o adaptador ou as Pinças inteligentes se estiverem danificados ou quebrados para evitar ferimentos.
- Se o adaptador estiver danificado, substitua-o sempre por um original para evitar situações de risco.
- O adaptador contém um transformador. Não retire o adaptador para substituí-lo por outro plugue, pois isso pode causar uma situação de risco.
- Antes de ligar o aparelho, verifique se a voltagem indicada no adaptador corresponde à voltagem do local.
- Este aparelho não deve ser usado por pessoas (inclusive crianças) com capacidades físicas, mentais ou sensoriais reduzidas ou pouca experiência e conhecimento, a menos que sejam supervisionadas ou instruídas sobre o uso do aparelho por uma pessoa responsável por sua segurança.
- Crianças pequenas devem ser supervisionadas para que não brinquem com o aparelho.
- As Pinças inteligentes não são brinquedos. Mantenha-as fora do alcance de crianças.

Cuidado

- O depilador destina-se apenas à remoção de pêlos femininos em áreas abaixo do pescoço, para depilar pernas e raspar axilas e virilha. Não use o aparelho para nenhum outro fim.
- Por questões de higiene, o aparelho e as Pinças inteligentes devem ser utilizados apenas por uma pessoa.
- Para evitar danos e ferimentos, **não use** o depilador (com ou sem acessórios) no couro cabeludo, sobrancelhas, cílios, roupas, tecidos, cordas, escovas, etc.
- Não use o aparelho nem as Pinças inteligentes em peles irritadas ou com varizes, arranhões, espinhas, pêlos encravados, verrugas (com pêlos) ou feridas sem antes consultar um médico.
- Pessoas com baixa imunidade ou que sofrem de diabetes melitus, hemofilia ou imunodeficiência também devem consultar um médico antes de usar o aparelho.
- Sua pele pode ficar um pouco vermelha e irritada nas primeiras vezes em que você usar o depilador. Isso é absolutamente normal e desaparece rapidamente. Com o uso mais freqüente, sua pele se acostumará à depilação, a irritação desaparecerá e os pêlos ficarão mais finos e macios. Se a irritação não desaparecer em três dias, recomendamos consultar um médico.
- Não olhe diretamente para o Opti-light para evitar que sua visão fique ofuscada pela luz.
- Não use a cabeça depiladora do depilador sem um acessório.
- Não exponha o depilador a temperaturas inferiores a 5°C ou superiores a 35°C.
- Só use as Pinças inteligentes com baterias alcalinas do tipo botão L736H ou AG3 (7,8 x 3,4 mm).

Campos eletromagnéticos

Este aparelho Philips atende a todos os padrões relacionados a campos eletromagnéticos. Se manuseado adequadamente e de acordo com as instruções deste manual do usuário, a utilização do aparelho é segura baseando-se em evidências científicas atualmente disponíveis.

Carregamento

Carregamento do depilador

○ carregamento do depilador demora cerca de uma hora. ○ depilador totalmente carregado tem o tempo de operação sem fio de até 40 minutos.

- 1** Desligue o aparelho antes de carregá-lo.
- 2** Insira o plugue do aparelho no soquete de entrada e coloque o adaptador na tomada da parede (fig. 5).
 - ▶ A luz piloto de recarga pisca na cor branca, indicando que o depilador está sendo carregado (fig. 6).
 - ▶ Quando a bateria está totalmente carregada, a luz piloto de recarga fica acesa permanentemente na cor branca por 20 minutos e se apaga (fig. 7).

Indicação de bateria fraca

- 1** Quando as baterias estão quase descarregadas, a luz piloto de recarga começa a piscar na cor vermelha.

Quando a luz piloto de recarga começa a piscar na cor vermelha, as baterias ainda contêm energia suficiente para alguns minutos de operação.

- 2** Quando as baterias estão completamente descarregadas, a luz piloto de recarga fica acesa permanentemente na cor vermelha.

Para carregar o depilador, siga as etapas 1 e 2 da seção 'Carregamento do depilador' acima. Você pode usar o aparelho ligado diretamente à rede elétrica. Insira o plugue do aparelho no soquete do aparelho e o adaptador em uma tomada na parede.

Dicas de depilação

Antes da depilação

Nota: Sempre limpe a cabeça depiladora do aparelho antes de usá-la pela primeira vez.

- Ao usar o depilador pela primeira vez, recomendamos que você faça um teste em uma área com pêlos finos, para se acostumar com o processo de depilação.
- Recomendamos que a depilação seja feita à noite, antes de você ir se deitar, pois a irritação normalmente desaparece durante esse período.
- A depilação é mais fácil depois do banho. Antes de começá-la, verifique se sua pele está completamente seca.
- Verifique se sua pele está limpa, completamente seca e sem substâncias oleosas. Não use cremes antes da depilação.
- É mais fácil e confortável se depilar quando os pêlos estão com a altura ideal: 3 a 4 mm. Se estiverem maiores, recomendamos raspá-los primeiro e depilar os pêlos mais curtos que nascerem após uma ou duas semanas. Você também pode usar a cabeça de corte para áreas sensíveis com o pente para aparar; para pré-aparar os pêlos, deixando-os na altura ideal.
- Como os ciclos de crescimento dos pêlos são diferentes, é melhor começar fazendo depilações durante alguns dias em seqüência. Isso ajudará a mantê-la depilada por mais tempo, pois seus pêlos começarão a crescer dentro dos mesmos ciclo e ritmo.
- O depilador vem com a capa de depilação básica encaixada. Se você quiser usá-lo com a capa redutora para um ótimo desempenho ou com o sistema que levanta os pêlos com massagem ativa, desencaixe a capa de depilação básica puxando-a do aparelho e encaixe uma das outras

capas (consulte o capítulo 'Utilização do depilador', seção 'Depilação de pernas com o depilador').

Durante a depilação

- O depilador pode ser usado sem fio com baterias recarregáveis, mas também pode ser usado com o adaptador ligado à rede elétrica.
- Durante a depilação, estique a pele com uma das mãos. Assim, os pêlos são levantados, ajudando a minimizar a sensação de desconforto da remoção.
- Para obter o desempenho ideal, passe a cabeça depiladora sobre a pele em um ângulo de 90° com o botão liga/desliga voltado para a direção em que você moverá o depilador. Passe-a sobre a pele na direção contrária ao crescimento dos pêlos, fazendo movimentos lentos e contínuos, sem exercer pressão.
- Em algumas áreas, os pêlos podem crescer em diferentes direções. Nesse caso, pode ser útil passar o aparelho em diferentes direções para obter os melhores resultados.
- Se você suar durante a depilação, seque a pele batendo suavemente com um pano macio.
- Ao usar a capa redutora para um ótimo desempenho, certifique-se de que ambos os roletes do mecanismo que estica a pele estejam sempre em contato com a pele para assegurar o melhor resultado.
- Ao usar o sistema que levanta os pêlos com massagem ativa, o mecanismo giratório para massagem e o sistema devem estar sempre em contato com a pele. O mecanismo giratório para massagem estimula e relaxa a pele para uma depilação mais suave.

Após a depilação

- Para relaxar a pele, recomendamos aplicar um creme hidratante imediatamente ou algumas horas após a depilação, dependendo do melhor procedimento para sua pele.
- O uso regular de uma esponja ou creme esfoliante (por exemplo, durante o banho) 24 horas após a depilação ajuda a evitar o surgimento de pêlos encravados, pois a fricção suave remove a camada superior da pele, permitindo que os pêlos finos ultrapassem a epiderme.

Uso do depilador

Depilação de pernas com o depilador

- Se você já tem experiência em depilação, poderá usar apenas a cabeça depiladora com a capa de depilação básica.
- Se for iniciante na depilação, recomendamos começar com a capa redutora para um ótimo desempenho. Ela garante o contato ideal com a pele e sua cabeça articulada estica a pele e prepara os pêlos para a depilação.
- Se seus pêlos ficarem rente à pele, recomendamos o uso do sistema que levanta os pêlos com massagem ativa. Esse sistema não apenas levanta os pêlos, mas seu mecanismo giratório para massagem minimiza a sensação de desconforto da depilação.

Nota: Retire a capa de depilação básica antes de encaixar a capa redutora para um ótimo desempenho ou o sistema que levanta os pêlos com massagem ativa.

1 Pressione as laterais da capa de depilação básica (1) e retire-a do aparelho (2) (fig. 8).

2 Coloque o acessório desejado na cabeça depiladora (fig. 9).

Nota: O procedimento de encaixe dos acessórios no aparelho é o mesmo para todos os acessórios.

3 Pressione o botão liga/desliga para ligar o depilador.

- ▶ O depilador começa a funcionar na velocidade II, que é a mais eficiente para depilação. O indicador inferior de controle de velocidade II acenderá (fig. 10).
- ▶ Se você quiser usar a velocidade I, pressione o botão liga/desliga uma segunda vez. O indicador superior de controle de velocidade I acenderá (fig. 11).

Dica: A velocidade I é adequada para áreas com poucos pêlos, difíceis de alcançar e próximas dos ossos, como joelhos e tornozelos.

▶ Quando você pressiona o botão liga/desliga uma terceira vez, o depilador é desligado.

- 4 Estique a pele com a mão que estiver livre para que os pêlos fiquem estendidos.
- 5 Coloque a cabeça depiladora no ângulo de 90° sobre a pele, com o botão liga/desliga voltado para a direção em que você moverá o aparelho (fig. 12).
- 6 Passe o aparelho lentamente sobre a pele na direção contrária ao crescimento dos pêlos.
 - Ao usar a capa redutora para um ótimo desempenho, certifique-se de que ambos os roletes do mecanismo que estica a pele estejam sempre em contato com a pele para assegurar o melhor resultado.
 - Quando você usa o sistema que levanta os pêlos com massagem ativa, o mecanismo giratório para massagem e o sistema devem estar sempre em contato com a pele. O mecanismo giratório para massagem estimula e relaxa a pele para uma depilação mais suave.

Depilação de axilas e virilha

Use a cabeça de corte para áreas sensíveis para depilar partes do corpo como axilas e virilha.

- 1 Pressione o botão de liberação (1) e remova a cabeça depiladora do aparelho (2) (fig. 13).

Nota: A cabeça de corte para áreas sensíveis pode ser removida da mesma forma.

- 2 Coloque-a no aparelho e pressione-a até encaixar (você ouvirá um clique). (fig. 14)
- 3 Ligue o aparelho.

Nota: Selecione a velocidade II ao usar a cabeça de corte para áreas sensíveis.

- 4 Estique a pele com uma das mãos. Ao raspar as axilas, levante o braço para esticar a pele.
- 5 Coloque a cabeça de corte para áreas sensíveis a um ângulo de 90° sobre a pele com o botão liga/desliga voltado para a direção em que você moverá o aparelho.
- 6 Mova o aparelho lentamente, na direção contrária ao crescimento dos pêlos.

Nota: Certifique-se de que a unidade de corte com aparador integrado esteja totalmente em contato com a pele.

- Raspe a virilha como mostra a figura (fig. 15).
- Raspe as axilas como mostra a figura. Mova o aparelho em direções diferentes. (fig. 16)

- 7 Ao terminar de depilar, desligue o aparelho e limpe a cabeça de corte para áreas sensíveis (consulte o capítulo 'Limpeza e manutenção').
- 8 Coloque o pente para aparar na cabeça de corte para áreas sensíveis ao guardar o aparelho.

Aparar com o pente para aparar

Use a cabeça de corte para áreas sensíveis com o pente para aparar encaixado para deixar os pêlos da virilha a uma altura de 3 mm.

Você também pode usar esse pente para pré-aparar pêlos longos (com mais de 10 mm) nas axilas ou na virilha.

- 1 Pressione o botão de liberação (1) e remova a cabeça depiladora do aparelho (2) (fig. 13).
- 2 Coloque-a no aparelho e pressione-a até encaixar (você ouvirá um clique) (fig. 14).
- 3 Coloque o pente para aparar na cabeça de corte para áreas sensíveis (fig. 17).
- 4 Siga as etapas 3 a 6 da seção 'Depilação de axilas e virilha'.

Nota: Certifique-se de que a superfície do pente de aparar esteja sempre em contato total com a pele para assegurar que o pêlo seja aparado de modo uniforme.

- 5** Ao terminar, desligue o aparelho e limpe a cabeça de corte para áreas sensíveis e o pente de aparar (consulte o capítulo 'Limpeza e manutenção').
- 6** Coloque o pente para aparar na cabeça de corte para áreas sensíveis ao guardar o aparelho.

Uso com fio

Para usar o depilador ligado à rede elétrica, desligue-o e conecte-o à tomada elétrica.

Proteção contra superaquecimento

O depilador tem proteção integrada contra superaquecimento, que evita o superaquecimento do aparelho.

Nota: Para evitar o superaquecimento do depilador, não pressione muito o aparelho sobre a pele. O depilador funciona melhor quando você o move sobre a pele sem pressioná-lo.

- 1** Se a proteção contra superaquecimento estiver ativada, o aparelho será desligado automaticamente; os indicadores de controle de velocidade e a luz piloto de recarga piscarão na cor vermelha.
- 2** Deixe o aparelho esfriar.
 - ▶ As luzes param de piscar após 30 segundos.
- 3** Quando o aparelho esfriar, você pode tornar a ligá-lo. Se as luzes recomeçarem a piscar na cor vermelha, isso significa que o aparelho ainda não esfriou completamente.

Proteção contra sobrecarga

Se você pressionar a cabeça depiladora muito fortemente sobre a pele ou se as pinças giratórias da cabeça depiladora ficarem bloqueadas (por exemplo, por roupas), o aparelho parará e o indicador de controle de velocidade começará a piscar na cor vermelha por 5 segundos.

- 1** Verifique se as pinças giratórias da cabeça depiladora estão bloqueadas girando-as com o polegar até remover o que estiver bloqueando-as.
- 2** Ligue o aparelho novamente.

Não pressione muito o aparelho sobre a pele.

Uso das Pinças inteligentes

Seu depilador vem com Pinças inteligentes com luz integrada para facilitar a remoção de pêlos faciais como, por exemplo, sobrancelhas. As Pinças inteligentes são protegidas por um estojo com espelho integrado que permite que você se depile onde e quando desejar. As pinças vêm prontas para uso, com três baterias do tipo botão no compartimento de baterias.

Uso das pinças

- 1** Limpe as sobrancelhas com um tônico para a pele ou álcool para evitar que pêlos da sobrancelha escorreguem nas pinças.
- 2** Use um pano aquecido para amaciar a pele antes de usar as pinças. Isso facilita a remoção de pêlos.
- 3** Penteie as sobrancelhas na direção do crescimento dos pêlos.
- 4** Use um lápis de sobrancelha para marcar a forma desejada nas sobrancelhas. Retire todos os pêlos que estiverem fora dessa marca.

68 PORTUGUÊS DO BRASIL

5 Ligue a luz pressionando o botão liga/desliga uma vez.

6 Sempre remova o pêlo na direção do crescimento.

Nota: Retire os pêlos um a um.

Não use as Pinças inteligentes para remover pêlos nascidos em verrugas.

Não aponte a luz das Pinças inteligentes diretamente para os olhos, seus ou de outra pessoa.

Substituição das baterias

1 Abra o compartimento de baterias e luz girando a parte inferior do aparelho no sentido anti-horário com uma moeda (fig. 18).

2 Retire as baterias de botão antigas (fig. 19).

Mantenha as baterias de botão fora do alcance de crianças e animais domésticos. Baterias de botão oferecem risco de choque.

3 Insira as novas baterias de botão com o lado negativo voltado para frente no compartimento de baterias e luz.

Nota: As Pinças inteligentes funcionam com três baterias alcalinas do tipo botão L736H ou AG3 (7,8 x 3,4 mm).

4 Feche o compartimento de baterias e luz girando a parte inferior no sentido horário com uma moeda (fig. 20).

Limpeza e manutenção

Nota: Verifique se o aparelho está desligado e desconecte-o da tomada elétrica antes de limpá-lo.

Nunca use palhas de aço, agentes de limpeza abrasivos ou líquidos agressivos como querosene ou acetona para limpar o aparelho.

- Limpe o aparelho após cada uso, para assegurar um melhor desempenho.
- Nunca lave o aparelho ou o adaptador na torneira (fig. 21).
- Mantenha o aparelho e o adaptador secos (fig. 22).

Limpeza dos acessórios

1 Retire o acessório da cabeça depiladora (fig. 8).

2 Remova pêlos soltos do acessório usando a escova de limpeza (fig. 23).

3 Lave os acessórios com água morna, girando-os (fig. 24).

4 Seque-os antes de usá-los ou guardá-los.

Limpeza da cabeça depiladora do depilador

1 Pressione o botão de liberação (1) e remova a cabeça depiladora do aparelho (2) (fig. 13).

2 Remova pêlos soltos com a escova de limpeza (fig. 25).

3 Lave a cabeça depiladora em água corrente por 5 a 10 segundos, girando as pinças com o polegar (fig. 26).

Nota: Nunca tente desencaixar as pinças da cabeça depiladora.

4 Sacuda a cabeça depiladora com firmeza (fig. 27).

5 Seque totalmente a cabeça depiladora com um pano sem fiapos.

Nota: Verifique se a cabeça depiladora está seca antes de colocá-la novamente no aparelho.

- 6** Para recolocar a cabeça depiladora, coloque-a sobre o aparelho e pressione-a até encaixar (você ouvirá um clique) (fig. 28).

Limpeza da cabeça de corte para áreas sensíveis e do pente para aparar

- 1** Retire o pente para aparar caso esteja encaixado, puxando-o pela cabeça de corte para áreas sensíveis (fig. 29).
- 2** Retire a cabeça de corte para áreas sensíveis pressionando o botão de liberação (fig. 30).
- 3** Retire a unidade de corte da cabeça de corte para áreas sensíveis (fig. 31).
- 4** Lave a unidade de corte, a cabeça de corte para áreas sensíveis e o pente para aparar em água morna corrente por 5 a 10 segundos, girando-os levemente (fig. 32).
- 5** Sacuda firmemente a unidade de corte, a cabeça de corte para áreas sensíveis e o pente para aparar (fig. 33).
- 6** Seque completamente a cabeça de corte para áreas sensíveis e o pente para aparar com um pano sem fiapos e deixe a unidade de corte secar.

Nota: Não pressione a unidade de corte para evitar danos.

- 7** Encaixe novamente a unidade de corte na cabeça de corte para áreas sensíveis. Coloque-a no aparelho e pressione-a até encaixar (você ouvirá um clique).

Nota: Certifique-se de que a unidade de corte esteja seca antes de encaixá-la na cabeça de corte para áreas sensíveis, que também deve estar completamente seca antes de ser recolocada no aparelho.

- 8** Coloque o pente para aparar na cabeça de corte para áreas sensíveis.

Dica: Coloque uma gota de óleo lubrificante na unidade de corte duas vezes por ano para estender sua vida útil.

Para guardar o aparelho

- Coloque o pente para aparar na cabeça de corte para áreas sensíveis para evitar danos.
- Coloque as Pinças inteligentes no estojo de armazenamento após o uso.
- Guarde o aparelho e os acessórios no nécessaire.

Trava para viagem

O depilador tem uma trava integrada que evita que o aparelho seja ligado acidentalmente durante o transporte.

- 1** Para ativar a trava, pressione e mantenha pressionado o botão liga/desliga por 3 segundos até que os indicadores de controle de velocidade pisquem 2 vezes na cor branca (fig. 34).
- O depilador começa a funcionar e pára imediatamente quando a trava é ativada.
- 2** Para desativar a trava, pressione e mantenha pressionado o botão liga/desliga por 3 segundos até que os indicadores de controle de velocidade pisquem 2 vezes na cor branca (fig. 35).

Nota: Você também pode inserir o plugue do aparelho no soquete de entrada e o adaptador na tomada elétrica para desativar a trava para viagem.

- A trava é desativada e você pode ligar novamente o depilador pressionando o botão liga/desliga.

Substituição

Todas as peças do aparelho podem ser substituídas. Se precisar substituir uma ou mais peças, dirija-se ao revendedor Philips ou a uma assistência técnica autorizada Philips.

Cabeça de corte para áreas sensíveis

Se você usar a cabeça de corte para áreas sensíveis duas ou mais vezes por semana, recomendamos a substituição da unidade de corte após um ou dois anos, ou quando estiver danificada.

Meio ambiente

- Não descarte o aparelho com o lixo doméstico no final de sua vida útil. Leve-o a um posto de coleta oficial para que possa ser reciclado. Com esse ato, você ajuda a preservar o meio ambiente (fig. 36).

Depilador

- As baterias internas recarregáveis do depilador contêm substâncias que podem poluir o meio ambiente. Sempre remova as baterias do depilador antes de descartá-lo e levá-lo a um posto oficial de coleta. Descarte as baterias em um posto oficial de coleta de baterias. Se tiver dificuldade em removê-las, você também poderá levar o aparelho a uma assistência técnica Philips, que fará esse procedimento e descartará as baterias em um local seguro ao meio ambiente (fig. 37).

Remoção das baterias recarregáveis

- 1 Remova o adaptador da tomada da parede e deixe o aparelho funcionar até parar.
- 2 Repita esta etapa até não conseguir mais ligar o depilador.
- 3 Remova a cabeça depiladora.
- 4 Retire as laterais do depilador com uma chave de fenda (fig. 38).
- 5 Insira uma chave de fenda na ranhura ao lado da entrada do plugue do aparelho, na parte inferior. Use a chave de fenda para separar as duas partes (fig. 39).
- 6 Retire o suporte da bateria e as baterias do aparelho. Retire as baterias do suporte da bateria com uma chave de fenda (fig. 40).
- 7 Corte os fios com uma tesoura doméstica e descarte as baterias de forma correta (fig. 41).

Não deixe que objetos de metal tenham contato com os terminais das baterias nem cause curto-circuito nas baterias.

Não tente remontar o aparelho para conectá-lo à rede elétrica. Isso é perigoso.

Pinças inteligentes

As baterias não-recarregáveis contêm substâncias que podem poluir o meio ambiente; portanto, não descarte-as no lixo doméstico. Descarte as baterias em um posto oficial de coleta. Sempre retire as baterias não-recarregáveis antes de descartar as Pinças inteligentes com o lixo doméstico.

Garantia e assistência técnica

Se precisar de serviços ou informações ou tiver algum problema, visite o site da Philips em **www.philips.com** ou entre em contato com o Centro de Atendimento ao Cliente Philips do seu país (o número de telefone encontra-se no folheto da garantia mundial). Se não existir um Centro de Atendimento ao Cliente no seu país, dirija-se ao representante local da Philips.

Resolução de problemas

Este capítulo resume os problemas mais comuns que você pode encontrar ao usar o aparelho. Se não conseguir resolver o problema com as informações abaixo, entre em contato com a Assistência Técnica Autorizada Philips mais próxima.

Problema	Causa	Solução
A depilação não ficou bem feita	Você está movendo o aparelho na direção incorreta.	Mova o aparelho na direção contrária ao crescimento dos pêlos, com o botão liga/desliga voltado para a direção em que você moverá o depilador.
	Você posicionou a cabeça depiladora sobre a pele no ângulo errado.	Certifique-se de colocar a cabeça depiladora sobre a pele no ângulo de 90° (consulte o capítulo 'Utilização do depilador').
	Você usou creme para pele ou creme depilador antes da depilação.	Verifique se sua pele está limpa, completamente seca e sem substâncias oleosas. Não use cremes antes da depilação.
	Os pêlos estão muito curtos.	Às vezes, os pêlos podem estar muito curtos para serem removidos. A altura ideal dos pêlos é de 3 a 4 mm. Os pêlos que não forem removidos durante uma sessão estarão longos o suficiente para serem depilados na próxima. Você pode tentar removê-los passando o aparelho sobre a pele mais algumas vezes.
O depilador não funciona.	A tomada à qual o aparelho está conectado não funciona.	Certifique-se de que a tomada esteja alimentada. Se você conectar o depilador a uma tomada em um armário de banheiro, talvez precise acender a luz do banheiro para ativá-la. Você também pode usar uma tomada situada fora do banheiro.
	A proteção contra superaquecimento foi ativada.	Quando o depilador pára de funcionar e os indicadores de controle de velocidade e a luz piloto de recarga começam a piscar na cor vermelha, a proteção contra superaquecimento foi ativada. Deixe que o aparelho esfrie. As luzes param de piscar após 30 segundos. Quando aparelho esfriar, ligue-o novamente. Se as luzes recommencem a piscar, isso significa que o depilador ainda não esfriou o suficiente.
	As baterias recarregáveis estão descarregadas.	Quando a luz piloto de recarga fica acesa permanentemente na cor vermelha, as baterias estão descarregadas e você deve carregar o aparelho (consulte o capítulo 'Carregamento'). Quando as baterias estiverem descarregadas, você poderá usar o aparelho ligado à rede elétrica.
	A trava está ativa.	Pressione e mantenha pressionado o botão liga/desliga por 3 segundos até que o indicador de controle de velocidade pisque 2 vezes na cor branca. A trava será desativada e você poderá pressionar o botão liga/desliga para ligar o aparelho. Para desativar a trava para viagem, também pode-se inserir o plugue do aparelho no soquete de entrada e o adaptador na tomada elétrica.

72 PORTUGUÊS DO BRASIL

Problema	Causa	Solução
	A proteção contra sobrecarga foi ativada porque algo ficou preso entre as pinças giratórias ou porque você pressionou muito o aparelho sobre a pele.	Quando a proteção contra sobrecarga é ativada, os indicadores de controle de velocidade piscam na cor vermelha. Gire as pinças com o polegar até conseguir retirar com facilidade o que está bloqueando-as. Em seguida, religue o aparelho e não o pressione muito sobre a pele.

Giriş

Ürünümüzü satın aldığınız için teşekkür ederiz; Philips'e hoş geldiniz! Philips'in sunduğu destekten faydalanabilmek için lütfen ürününüzü şu adresten kaydedin: www.philips.com/welcome.
 Bu Philips SatinPerfect epilatör, en yüksek mühendislik standartlarına uygun olarak Avrupa'da üretilmiş ve günümüz kadınının ihtiyaçları doğrultusunda tasarlanmıştır. Dünya çapında birçok kadın geliştirme ve üretim süreçlerimize katılmakta ve size mümkün olan en iyi kaliteyi sunabilmemiz için konseptlerimiz ve ürünlerimizle ilgili geri bildirimde bulunmaktadır.
 Yeni SatinPerfect epilatör, istenmeyen vücut tüylerinin alınmasında en iyi performansı ve dolayısıyla mükemmel ve uzun süreli pürüzsüz bir cilde sahip olmanızı sağlar.
 Yeni SatinPerfect epilatör özel tasarım ve pratik özelliklere sahiptir. Epilasyon başlığı ciltte mümkün olan en fazla alanı kapsar ve cimbızları, en ince tüylerde bile düzgün tutuş sağlayan seramik malzemeden yapıldığından tüylerin kolayca alınmasını sağlar. Tüyler kökünden alınır ve tekrar uzadıklarında daha ince ve daha az görünür olurlar.
 SatinPerfect ergonomik bir şekle sahiptir. Epilatörün vücudunuzun her kıvrımına uyum göstermesini sağlayacak zarif kıvrımlara sahiptir. Hız kontrolü, ne kadar sert ve yumuşak bastırırsanız bastırın, mükemmel sonuçlar için ideal epilasyon hızını korur. Opti-light ışık özelliği, zor görünür tüyleri bile almanıza yardımcı olarak hiçbir tüyü kaçırmamanızı sağlar.
 Aktif masajlı aktif tüy kaldırıcının ön tarafında bulunan aktif tüy kaldırıcı, cilde paralel tüyleri titreştirip kaldırarak kolayca alınmasını sağlar. Aktif masajlı aktif tüy kaldırıcının arka tarafında bulunan aktif masaj rulosu titreşimleriyle cildi rahatlatarak, epilasyonun etkilerini yumuşatır.
 Optimum cilt teması sağlamak amacıyla cildinizin kıvrımlarını takip etmek için dönen optimum performans başlığı size tüylerin alınması işlemi sırasında optimum performans sağlar ve kusursuz, uzun süreli pürüzsüz bacaklar sunar.
 Optimum performans başlığının cilt gerdirme aparatı cildinizi nazik bir şekilde gererek en kısa tüylerin bile alınmasını sağlar.

Genel açıklamalar (Şek. 1)

- A** Epilatör
- B** Şarj ediliyor ışığı
- C** Hız ayar göstergeleri
- D** Açma/kapama düğmesi
 - Hız II için bir kez basın
 - Hız I için iki kez basın
- E** Opti-light
- F** Epilasyon başlığı
- G** Ayırma düğmesi
- H** Temel epilasyon kapağı
- I** Hassas alan tıraş başlığı
- J** Düzeltme tarağı
- K** Optimum performans başlığı
- L** Cilt germe
- M** Aktif masajlı aktif tüy kaldırıcı
- N** Aktif masaj rulosu
- O** Aktif tüy kaldırıcı
- P** Temizleme fırçası
- Q** Adaptör
- R** Akıllı Cimbızlar
 - 1** Akıllı Cimbızların ışığı
 - 2** Işık açma/kapama düğmesi
 - 3** Pil ve ışık bölmesi
 - 4** Akıllı Cimbızların saklama çantası
 - 5** Düğme piller

S Şık saklama kılıfı (gösterilmemiştir)

Önemli

Cihazı ve Akıllı Cımbızları kullanmadan önce bu kullanım kılavuzunu okuyun ve gelecekte de başvurmak üzere saklayın.

Tehlike

- Cihazı ve adaptörü kuru olarak saklayın.
- Cihazı su dolu banyo küveti yakınında ya da içinde kullanmayın (Şek. 2).
- Cihazı banyo ya da duş yaparken kullanmayın (Şek. 3).
- Eğer epilatorü banyoda kullanacaksanız, uzatma kablosu kullanmayın (Şek. 4).

Uyarı

- Cihazı sadece verilen adaptör ile şarj edin.
- Hasarlı veya bozüksa, yaralanmaları önlemek için cihazı, ek parçaları veya adaptörü kullanmayın. Hasarlı veya bozüksa, yaralanmaları önlemek için Akıllı Cımbızları kullanmayın.
- Adaptör hasarlıysa, bir tehlikeyi önlemek için mutlaka orijinal modeli ile değiştirildiğinden emin olun.
- Adaptörde bir dönüştürücü bulunmaktadır. Tehlikeli bir duruma sebep olabileceğinden, adaptörü başka bir fişle değiştirmek için kesmeyin.
- Cihazı kullanmadan önce, adaptörün üzerinde belirtilen gerilimin ülkenizdeki gerilimle uygunluğunu kontrol edin.
- Bu cihaz, kendilerinden sorumlu kişilerin nezareti veya talimatları dışında, fiziksel, motor ya da zihinsel becerileri gelişmemiş veya bilgi ve tecrübe açısından eksik kişiler tarafından (çocuklar da dahil) kullanılmamalıdır.
- Küçük çocukların cihazla oynamaları engellenmelidir.
- Akıllı Cımbızlar oyuncak değildir. Çocukların erişemeyeceği bir yerde saklayın.

Dikkat

- Epilatör sadece kadınların boyun bölgesinden aşağıda bulunan tüylerinin epilasyon (bacaklar) ve tıraş (koltuk altları ve bikini bölgesi) yöntemleriyle alınması için tasarlanmıştır. Başka bir amaçla kullanılmamalıdır.
- Hijyenik nedenlerden dolayı cihaz ve Akıllı Cımbızlar sadece bir kişi tarafından kullanılmalıdır.
- Epilatör **çalışır** durumdayken (aparatsız veya aparatsız) herhangi bir kaza veya hasarı önlemek için, saçlarınızdan, kirpiklerinizden, kaşlarınızdan, kıyafetlerinizden, fırçalardan, kablolardan vb. uzak tutun.
- Epilatörü ve Akıllı Cımbızları doktorunuza danışmadan tahriş olmuş veya varis, döküntü, sivilce, ben (tüylü) veya yara olan ciltte kullanmayın.
- Düşük bağışıklık tepkisi veya şeker hastalığı, hemofili veya bağışıklık yetmezliği olan kişiler de kullanmadan önce doktorlarına danışmalıdır.
- Epilatörü ilk birkaç kullanımınızda cildiniz kızarabilir ve tahriş olabilir. Bu çok normal bir durum olup, zaman içinde hızla azalacaktır. Epilatörü daha sık kullandıkça, cildiniz epilasyona alışacak, tahriş azalacak ve yeni çıkan tüyler daha ince ve yumuşak olacaktır. Eğer cildinizdeki tahriş 3 gün içerisinde geçmezse, bir doktora başvurmanızı öneririz.
- Işığın gözünüzü kamaştırmasını önlemek için Opti-light ışığına doğrudan bakmayın.
- Epilatörün epilasyon başlığını ek parça olmadan kullanmayın.
- Epilatörü 5°C'nin altındaki ve 35°C'nin üzerindeki sıcaklıklarda kullanmayın.
- Akıllı Cımbızları yalnızca L763H veya AG3 tipi (7,8 x 3,4 mm çapında) alkalin düğme pillerle kullanın.

Elektromanyetik alanlar (EMF)

Bu Philips cihazı elektromanyetik alanlarla (EMF) ilgili tüm standartlarla uyumludur. Bu cihaz, gereği gibi ve bu kılavuzdaki talimatlara uygun şekilde kullanıldığında, bugünün bilimsel verilerine göre kullanımı güvenlidir.

Şarj etme

Epilatörü şarj etme

Epilatörün şarj edilmesi yaklaşık 1 saat sürer. Epilatör tam olarak şarj edildiğinde, 30 dakikaya kadar kordonsuz olarak kullanılabilir.

- 1 Şarj etmeden önce cihazı kapatın.
- 2 Cihaz fişini giriş soketine ve adaptörü de duvardaki prize takın (Şek. 5).
 - Epilatörün şarj olduğunu göstermek için şarj ışığı beyaz renkte yanıp söner (Şek. 6).
 - Pil tamamen şarj olduğunda, şarj ışığı 20 dakika boyunca sürekli olarak beyaz renkte yanar ve ardından söner (Şek. 7).

Düşük pil göstergesi

- 1 Piller bitmek üzereyken, şarj ışığı kırmızı renkte yanıp sönmeye başlar. Şarj ışığı yanıp sönmeye başladığında, pilde birkaç dakika daha çalışmak için yeterli enerji bulunur.
- 2 Piller tamamen bittiğinde, şarj ışığı kırmızı renkte sürekli olarak yanar. Epilatörü şarj etmek için, yukarıda 'Epilatörün şarj edilmesi' bölümündeki 1. ve 2. adımları uygulayın. Ayrıca, cihaz fişini epilatöre, adaptörü duvar prizine takarak cihazı doğrudan şebeke elektriğiyle kullanabilirsiniz.

Epilasyon ipuçları

Epilasyona başlamadan önce

Dikkat: Epilasyon başlığını ilk kullanımdan önce mutlaka temizleyin.

- İlk kez epilasyon yapacaksanız, epilatöre alışmak için öncelikle daha az tüy bulunan bölgelerde kullanmanızı öneririz.
- Cilt tahrişleri genellikle gece kaybolduğundan, epilasyon işlemini yatmadan önce uygulamanızı öneririz.
- Epilasyonun banyodan veya duştan sonra yapılması daha kolay ve rahat olacaktır. Ancak cildinizin tamamen kuru olmasına dikkat ediniz.
- Cildinizin temiz, kremsiz ve kuru olduğundan emin olunuz. Epilasyondan önce krem sürmeyiniz.
- Epilasyon işlemi tüy uzunluğu 3–4 mm olduğunda daha kolay ve rahat uygulanır. Tüyler daha uzunsa, uygulama yapılacak bölgeyi tıraş edip 1-2 hafta sonra epilasyon yapmanızı veya hassas bölge tıraş başlığını düzeltme tarağıyla birlikte kullanarak tüyleri önceden ideal uzunluğa getirmenizi öneririz.
- Tüyleriniz farklı dönemlerde uzadığından en iyisi, epilasyona başladığınızda birkaç gün arka arkaya epilasyon yapmanızdır. Böylece, tüyleriniz aynı dönemde yeniden uzamaya başlayacağından cildiniz daha uzun süre tüysüz kalır.
- Epilatör basit epilasyon başlığı takılı olarak verilir; Epilatörü optimum performans başlığı veya aktif masajlı aktif tüy kaldırma sistemiyle kullanmak isterseniz, basit epilasyon başlığını cihazdan çekip çıkarın ve optimum performans başlığını veya aktif masajlı aktif tüy kaldırma sistemini takın (bkz. 'Epilatörün kullanımı' bölümü, 'Epilatörle bacak epilasyonu' kısmı).

Epilasyon sırasında

- Epilatör şarj edilebilir pillerle kordonsuz olarak veya adaptörle şebeke elektriğine bağlı olarak kullanılabilir.
- Epilasyon yaparken cildinizi boşta elinizle gerin. Bu, tüyleri kaldıracak ve çekilme hissini azaltacaktır.
- En iyi performans için, epilasyon başlığını cilt üzerine 90°'lik açıyla, açma/kapama düğmesi cihazın hareket ettireceği yönü gösterecek şekilde yerleştirin. Cihazı, cilt üzerinde tüylerin uzama yönünün tersine, yavaş, sürekli hareketlerle ve herhangi bir baskı uygulamadan hareket ettirin.
- Bazı bölgelerde, tüyler farklı doğrultularda uzayabilir. Bu durumda, cihazı farklı yönlerde uygulamak en iyi sonuçların elde edilmesine yardımcı olabilir.

76 TÜRKÇE

- Epilasyon sırasında terlerseniz, cildinizi yumuşak bir bezle hafifçe vurarak kurulayın.
- Optimum performans başlığını kullanırken optimum sonuçları elde etmek için, cilt germe aparatının her iki rulusunun cildinize her zaman temas ettiğinden emin olun.
- Aktif masajlı aktif tüy kaldırma sistemini kullanırken, aktif masaj rulusunun ve aktif tüy kaldıracının cildinize her zaman temas ettiğinden emin olun. Masaj rulusu cildinizi daha nazik bir uygulama için yumuşatır.

Epilasyondan sonra

- Cildi rahatlatmak için, cildiniz için hangisinin daha uygun olduğuna bağlı olarak epilasyondan hemen veya birkaç saat sonra nemlendirici bir krem sürmenizi öneririz.
- Hassas ovma hareketi cildin üst katmanını temizleyeceğinden ve ince tüyler cilt yüzeyine erişebileceğinden, epilasyondan sonraki 24 saat içinde düzenli olarak ölü deriden arındırıcı sünger veya krem (örn. duş sırasında) kullanımı, tüylerin içe doğru uzamasını engelleyecektir.

Epilatörün kullanımı

Epilatörle bacak epilasyonu

- Daha önce epilasyon uyguladıysanız, temel epilasyon başlıklı epilasyon aletini kullanabilirsiniz.
- Daha önce epilasyon uygulamadıysanız, epilasyona optimum performans başlığıyla başlamanızı öneririz. Bu başlık optimum cilt teması sağlayacak ve döner başlık cildi gerek tüyleri epilasyon için hazır hale getirecektir.
- Tüyleriniz cildinize paralel şekilde duruyorsa, aktif masajlı aktif tüy kaldırma sistemini kullanmanızı öneririz. Aktif masajlı aktif tüy kaldırma sistemi sadece tüyleri kaldırmakla kalmaz aynı zamanda masaj rulusu epilasyonun neden olduğu çekme hissini en aza indirir.

Dikkat: Optimum performans başlığını veya aktif masajlı aktif tüy kaldırma sistemini takmadan önce basit epilasyon başlığını çıkarın.

- 1 Basit epilasyon başlığının her iki yanından tutun (1) ve çekerek cihazdan çıkarın (2) (Şek. 8).
- 2 Epilasyon başlığına istenilen aparatı takın (Şek. 9).

Dikkat: Aparatların cihaza takılması için uygulanan prosedür bütün aparatlar için aynıdır.

- 3 Epilatörü çalıştırmak için açma/kapama düğmesine bir kez basın.
 - Epilatör, epilasyon için en etkili hız olan II ayarında çalışmaya başlar. Alttaki hız ayarı II göstergesi yanar (Şek. 10).
 - I hız ayarını kullanmak istiyorsanız, açma/kapama düğmesine ikinci kez basın. Üstteki hız ayarı I göstergesi yanar (Şek. 11).

İpucu: Hız ayarı I, tüylerin ince olduğu ve ulaşılması güç alanlar ile diz kapağı ve ayak bileği gibi kemikli bölgeler için uygundur.

- Açma/kapama düğmesine üçüncü kez bastığınızda, epilator kapanır.

- 4 Epilasyon sırasında, tüylerin yukarı doğru kalkması için cildinizi diğer elinizle geriniz.
- 5 Epilasyon başlığını cildinize 90°'lik açıyla ve açma/kapama düğmesi hareket ettireceğiniz yöne doğru bakacak şekilde yerleştirin (Şek. 12).

- 6 Cihazı cildiniz üzerinde, tüylerin uzama yönünün tersine doğru yavaşça hareket ettirin.
 - Optimum performans başlığını kullanırken optimum sonuçları elde etmek için, cilt germe aparatının her iki rulusunun cildinize her zaman temas ettiğinden emin olun.
 - Aktif masajlı aktif tüy kaldırma sistemini kullanırken, aktif masaj rulusunun ve aktif tüy kaldıracının cildinize her zaman temas ettiğinden emin olun. Masaj rulusu cildinizi daha nazik bir uygulama için yumuşatır.

Koltuk altı ve bikini bölgesi için tıraş

Koltuk altları ve bikini çizgisi gibi hassas bölgeleri tıraş etmek için hassas bölge tıraş başlığını kullanın.

- 1 Çıkarma düğmesine (1) basın ve epilasyon başlığını epilatörden çıkarın (2) (Şek. 13).

Dikkat: Hassas bölge tıraş başlığı da aynı şekilde çıkarılabilir.

- 2 Hassas bölge tıraş başlığını cihaza yerleştirin ve yerine oturana kadar bastırın ('klik' sesi duyulur). (Şek. 14)

- 3 Cihazı açın.

Dikkat: Hassas bölge tıraş başlığını kullanırken hız II ayarını kullanın.

- 4 Boştaki elinizle cildinizi gerin. Koltuk altınızı tıraş ederken, kolunuzu kaldırarak cildinizi gerin.

- 5 Hassas bölge tıraş başlığını cildinize 90°'lik açıyla ve açma/kapama düğmesi hareket ettireceğiniz yöne doğru bakacak şekilde yerleştirin.

- 6 Cihazı yavaşça tüy uzama yönünün tersine hareket ettirin.

Dikkat: Dahili düzeltme aparatlı tıraş ünitesinin cildinizle her zaman tam temas etmesini sağlayın.

- Şekilde görüldüğü gibi bikini bölgesini tıraş edin (Şek. 15).
- Koltuk altınızı şekilde görüldüğü gibi tıraş edin. Cihazı farklı yönlerde hareket ettirin. (Şek. 16)

- 7 Tıraş işlemi bitirdiğinizde, cihazı kapatın ve hassas bölge tıraş başlığını temizleyin (bkz. 'Temizlik ve bakım' bölümü).

- 8 Cihazı saklarken düzeltme tarağını hassas bölge tıraş başlığına takın.

Düzeltilme tarağıyla düzeltme yapma

Bikini çizginizi 3 mm uzunluğunda düzeltmek için hassas bölge tıraş başlığını düzeltme tarağıyla kullanın.

Düzeltilme tarağını ayrıca, koltuk altları ve bikini çizgisindeki uzun tüyleri (10 mm'den uzun) önceden düzeltmek için de kullanabilirsiniz.

- 1 Çıkarma düğmesine (1) basın ve epilasyon başlığını epilatörden çıkarın (2) (Şek. 13).

- 2 Hassas bölge tıraş başlığını cihaza yerleştirin ve yerine oturana kadar bastırın ('klik' sesi duyulur) (Şek. 14).

- 3 Düzeltilme tarağını hassas bölge tıraş başlığına takın (Şek. 17).

- 4 'Koltuk altlarının ve bikini çizgisinin tıraş edilmesi' bölümünün 3-6 arası adımlarını uygulayın

Dikkat: Dengeli düzeltme sonuçları elde etmek için düzeltme tarağının her zaman cildinizle tam olarak temas ettiğinden emin olun.

- 5 Düzeltilme işlemi bitirdiğinizde, cihazı kapatın ve hassas bölge tıraş başlığını ve düzeltme tarağını temizleyin (bkz. 'Temizlik ve bakım' bölümü).

- 6 Cihazı saklarken düzeltme tarağını hassas bölge tıraş başlığının üzerinde bırakın.

Kablolu kullanım

Epilatörü şebeke elektriğiyle kullanmak için, cihazı kapatın ve şebeke elektriğine bağlayın.

Aşırı ısınmaya karşı koruma

Epilatörde, cihazın aşırı ısınmasını önleyen entegre bir aşırı ısınma koruması bulunmaktadır.

Dikkat: Epilatörün aşırı ısınmasını önlemek için, cihazı cildinize çok fazla bastırmayın. Epilatörün en iyi sonuçları verebilmesi için, cihazı cildinizin üzerinde çok fazla baskı uygulamadan hareket ettirin.

- 1 Aşırı ısınma koruması devreye girerse, cihaz otomatik olarak kapanır; hız ayarı göstergeleri ve şarj ışığı kırmızı renkte yanıp söner.
- 2 Cihazın soğumasını bekleyin.
▶ Lambaların yanıp sönmeye 30 saniye sonra durur.
- 3 Cihaz soğuduğunda, tekrar çalıştırabilirsiniz. Lambalar tekrar kırmızı renkte yanıp sönmeye başlıyorsa, cihaz henüz soğumamıştır.

Aşırı yük koruması

Epilasyon başlığını cildinize çok bastırırsanız veya epilasyon başlığının dönen cımbızları takılırsa (örn. kıyafet vb. ile), cihaz durur ve hız ayarı göstergeleri 5 saniye boyunca kırmızı renkte yanıp sönmeye başlar.

- 1 Döner cımbızları engelleyen nesneyi çıkarabilmek için önce cımbızları başparmağınızla çevirerek engellenip engellenmediklerini kontrol edin.
- 2 Cihazı tekrar çalıştırın.

Cihazı cildinize çok fazla bastırmayın.

Akıllı Cımbızların Kullanılması

Epilatörünüz, kaşlar gibi yüz bölgesi tüylerinin kolay bir şekilde alınması için entegre lambalı Akıllı Cımbızlarla birlikte gelir. Akıllı Cımbızlarla istediğiniz yerde ve istediğiniz zamanda epilasyon yapmanıza olanak sağlayan entegre aynalı bir çantada korunur. Akıllı Cımbızlar pil bölmesinde 3 düğme pille kullanıma hazır şekilde sunulur.

Cımbızların Kullanılması

- 1 Kaşlarınızın cımbız kollarının arasından kaymasını önlemek için, kaşlarınızı cilt tonu ile veya alkolle temizleyin.
- 2 Cımbızla alma işleminden önce cildinizi yumuşatmak için sıcak bir yüz havlusu kullanın. Bu tüylerin daha kolay alınmasını sağlayacaktır.
- 3 Kaşlarınızı kılların çıkış yönüne doğru tarayın.
- 4 İstenilen kaş şeklini işaretlemek için bir göz kalemi kullanın. Belirlenen şeklin dışında kalan tüm kaşları alın.
- 5 Açma/kapama düğmesine bir kez basarak lambayı açın.
- 6 Kaşı her zaman uzama yönünde çekin.

Dikkat: Kaşları teker teker çekin.

Akıllı Cımbızları benlerden çıkan tüylere epilasyon uygulamak için kullanmayın.

Akıllı Cımbızların lambasını kendinizin veya başkasının gözlerine doğrultmayın.

Pillerin Değiştirilmesi

- 1 Bir madeni para ile alt kısmı saat yönünün tersine çevirerek pil ve ışık bölmesini açın (Şek. 18).
- 2 Eski düğme pilleri çıkarın (Şek. 19).

Düğme pilleri çocukların ve ev hayvanlarının ulaşamayacağı bir yerde saklayın. Düğme pillerini potansiyel yutma tehlikesi teşkil eder.

- 3 Yeni düğme pilleri negatif taraf pil ve lamba bölmesinin iç kısmını işaret edecek şekilde yerleştirin.

Dikkat: Akıllı Cımbızlarla L736H veya AG3 tipi (7,8 x 3,4 mm çapında) üç adet alkalin düğme pille çalışır.

- 4 Bir madeni para ile alt kısmı saat yönünde çevirerek pil ve ışık bölümünü kapatın (Şek. 20).

Temizlik ve bakım

Dikkat: Cihazı temizlemeye başlamadan önce kapalı ve prizden çekilmiş olduğundan emin olun.

Cihazı temizlemek için bulaşık süngeri, aşındırıcı temizlik malzemeleri veya benzin ya da aseton gibi zarar verebilecek sıvılar kullanmayın.

- Daha iyi bir performans için cihazı her kullanımdan sonra temizleyin.
- Cihazı ya da adaptörü kesinlikle musluk altında yıkamayın (Şek. 21).
- Cihazı ve adaptörü kuru olarak saklayın (Şek. 22).

Aparatların temizlenmesi

- 1 Aparatı epilasyon başlığından çıkarın (Şek. 8).
- 2 Temizlik fırçasıyla aparatlarda kalan tüyleri temizleyin (Şek. 23).
- 3 Aparatları döndürerek, ılık suyla yıkayın (Şek. 24).
- 4 Kullanmadan veya saklamadan önce aparatları kurulaşın.

Epilasyon başlığının temizlenmesi

- 1 Çıkarma düğmesine (1) basın ve epilasyon başlığını cihazdan çıkarın (2) (Şek. 13).
- 2 Temizlik fırçasıyla kalan tüyleri temizleyin (Şek. 25).
- 3 Epilasyon başlığını yaklaşık 5-10 saniye musluğun altında yıkayın; bu sırada cımbızları başparmağınızla çevirin (Şek. 26).

Dikkat: Epilasyon cımbızlarını kesinlikle epilasyon başlığından çıkarmayın.

- 4 Epilasyon başlığını iyice silkeleyin (Şek. 27).
- 5 Epilasyon başlığını bir bezle iyice kurulaşın.

Dikkat: Cihaza geri yerleştirmeden önce epilasyon başlığının tamamen kuru olduğundan emin olun.

- 6 Epilasyon başlığını tekrar takmak için cihazın üzerine yerleştirin ve yerine oturana kadar ('klik' sesi duyulur) cihaza doğru bastırın (Şek. 28).

Hassas bölge tıraş başlığı ve düzeltme tarağının temizlenmesi

- 1 Cihaza takılıysa, düzeltme tarağını hassas bölge tıraş başlığından çekerek çıkarın (Şek. 29).
- 2 Çıkarma düğmesine basarak hassas bölge tıraş başlığını çıkarın (Şek. 30).
- 3 Tıraş ünitesini hassas bölge tıraş başlığından çıkarın (Şek. 31).
- 4 Tıraş ünitesini, hassas bölge tıraş başlığını ve düzeltme tarağını sıcak su altında hafifçe çevirerek 5 - 10 saniye yıkayın (Şek. 32).
- 5 Tıraş ünitesini, hassas bölge tıraş başlığını ve düzeltme tarağını sert bir şekilde sallayın (Şek. 33).
- 6 Hassas bölge tıraş başlığını ve düzeltme tarağını bir el havlusuyla iyice kurulaşın ve tıraş ünitesini kurumaya bırakın.

Dikkat: Zarar görmemesi için, tıraş ünitesine hiç bir şekilde basınç uygulamayın.

- 7 Tıraş ünitesini hassas bölge tıraş başlığına tekrar takın. Hassas bölge tıraş başlığını cihazın üstüne yerleştirin ve yuvasına yerleşene kadar cihaza doğru bastırın ('klik' sesi duyulur).

Dikkat: Tıraş ünitesini hassas bölge tıraş başlığına ve hassas bölge tıraş başlığına cihaza takmadan önce her ikisinin de tamamen kuru olduğundan emin olun.

8 Düzeltme tarağını hassas bölge tıraş başlığına takın.

İpucu: Kesici ünitenin kullanım ömrünü uzatmak için tıraş ünitesine yılda iki kez dikiş makinesi yağı damlatın.

Saklama

- Hasar görmesini önlemek için düzeltme tarağını hassas bölge tıraş başlığına takın.
- Akıllı Cimbızları kullandıktan sonra saklama çantasına koyun.
- Cihazı ve aksesuarlarını cihazla birlikte verilen şık çanta içinde muhafaza edin.

Seyahat kilidi

Epilatörde seyahat sırasında yanlışlıkla açılmasını önleyen entegre bir seyahat kilidi bulunmaktadır.

1 Seyahat kilidini etkin hale getirmek için, hız ayarı göstergeleri 2 kez beyaz renkte yanıp sönene kadar, açma/kapama düğmesine 3 saniye boyunca basın ve basılı tutun (Şek. 34).

▶ Epilatör çalışmaya başlar ve seyahat kilidi etkin hale geldiğinde aniden durur.

2 Seyahat kilidini devre dışı bırakmak için, hız ayarı göstergeleri 2 kez beyaz renkte yanıp sönene kadar, açma/kapama düğmesine 3 saniye boyunca basın ve basılı tutun (Şek. 35).

Dikkat: Seyahat kilidini devre dışı bırakmak için ayrıca, cihazın fişini giriş soketine, adaptörü ise prize takabilirsiniz.

▶ Seyahat kilidi artık devre dışı bırakılmıştır ve açma/kapama düğmesine basarak epilatörü tekrar açabilirsiniz.

Değiştirme

Cihazın bütün parçaları değiştirilebilir. Parçalardan birini veya daha fazlasını değiştirmek istiyorsanız, Philips bayinize veya yetkili Philips servis merkezine gidin.

Hassas alan tıraş başlığı

Hassas bölge tıraş başlığını haftada iki kez veya daha fazla kullanıyorsanız, tıraş ünitesini bir veya iki yıl kullandıktan sonra ya da hasar gördüğünde değiştirmenizi öneririz.

Çevre

- Kullanım ömrü sonunda, cihazı normal ev atıklarınızla birlikte atmayın; bunun yerine, geri dönüşüm için resmi toplama noktalara teslim edin. Böylece, çevrenin korunmasına yardımcı olursunuz (Şek. 36).

Epilatör

- Epilatörün dahili şarj edilebilir piller, çevreyi kirletebilecek maddeler içermektedir. Epilatörü atmadan ya da resmi toplama noktasına teslim etmeden önce mutlaka pilleri çıkarın. Pilleri, piller için resmi toplama noktasına teslim edin. Pilleri çıkarmakta güçlük çekiyorsanız, cihazı bir Philips servis merkezine de verebilirsiniz. Bu merkezin personeli pilleri sizin için çıkaracak ve atık işlemleri çevreye zarar vermeyecek şekilde gerçekleştirilecektir (Şek. 37).

Şarj edilebilir pillerin çıkarılması

1 Adaptörü prizden çıkarın ve duruncaya kadar cihazı çalıştırın.

2 Bu adımı artık cihazı çalıştıramadığınız noktaya kadar tekrarlayın.

3 Epilasyon başlığını yerinden çıkarın.

4 Epilatörün yan panellerini bir tornavidayla çıkarın (Şek. 38).

- 5 Cihazın alt kısmında bulunan cihaz fişi yuvasının yanındaki oluğa bir tornavida sokun. Muhafazanın iki yarısını ayırmak için tornavidayı çevirin (Şek. 39).
- 6 Pil tutucuyu pillerle birlikte cihazdan çıkarın. Tornavidayla pilleri, pil tutucudan çıkarın (Şek. 40).
- 7 Kabloları makasla kesin ve pilleri uygun şekilde atın (Şek. 41).

Metal nesnelerin şarj edilebilir pil terminalleriyle temas etmesine veya pillerle kısa devre yapmasına izin vermeyin.

Cihazı şebeke elektriğine bağlamak için tekrar monte etmeyi denemeyin. Bu işlem tehlikelidir.

Akıllı Cımbızlar

Şarj edilemeyen piller; çevre kirliliğine neden olabilecek maddeler içermektedir. Şarj edilemeyen pilleri normal ev atıklarınızla birlikte atmayın; bunun yerine resmi pil toplama noktalarına teslim edin. Akıllı Cımbızları normal ev atıklarıyla birlikte atmadan önce, şarj edilemeyen pilleri mutlaka çıkarın.

Garanti ve servis

Servise ya da daha fazla bilgiye ihtiyaç duyarsanız veya bir sorunla karşılaşırsanız, www.philips.com.tr adresindeki Philips İnternet sitesini ziyaret edin veya ülkenizde bulunan Philips Müşteri Merkeziyle iletişim kurun (telefon numarasını dünya çapında geçerli garanti belgesinde bulabilirsiniz). Ülkenizde bir Müşteri Merkezi yoksa, yerel Philips bayisine başvurun.

Sorun giderme

Bu bölümde, cihazda en sık karşılaşılabileceğiniz sorunlar özetlenmektedir. Sorunu aşağıdaki bilgilerle çözemezseniz, bulunduğunuz ülkedeki Müşteri Hizmetleri Merkezi ile iletişim kurun.

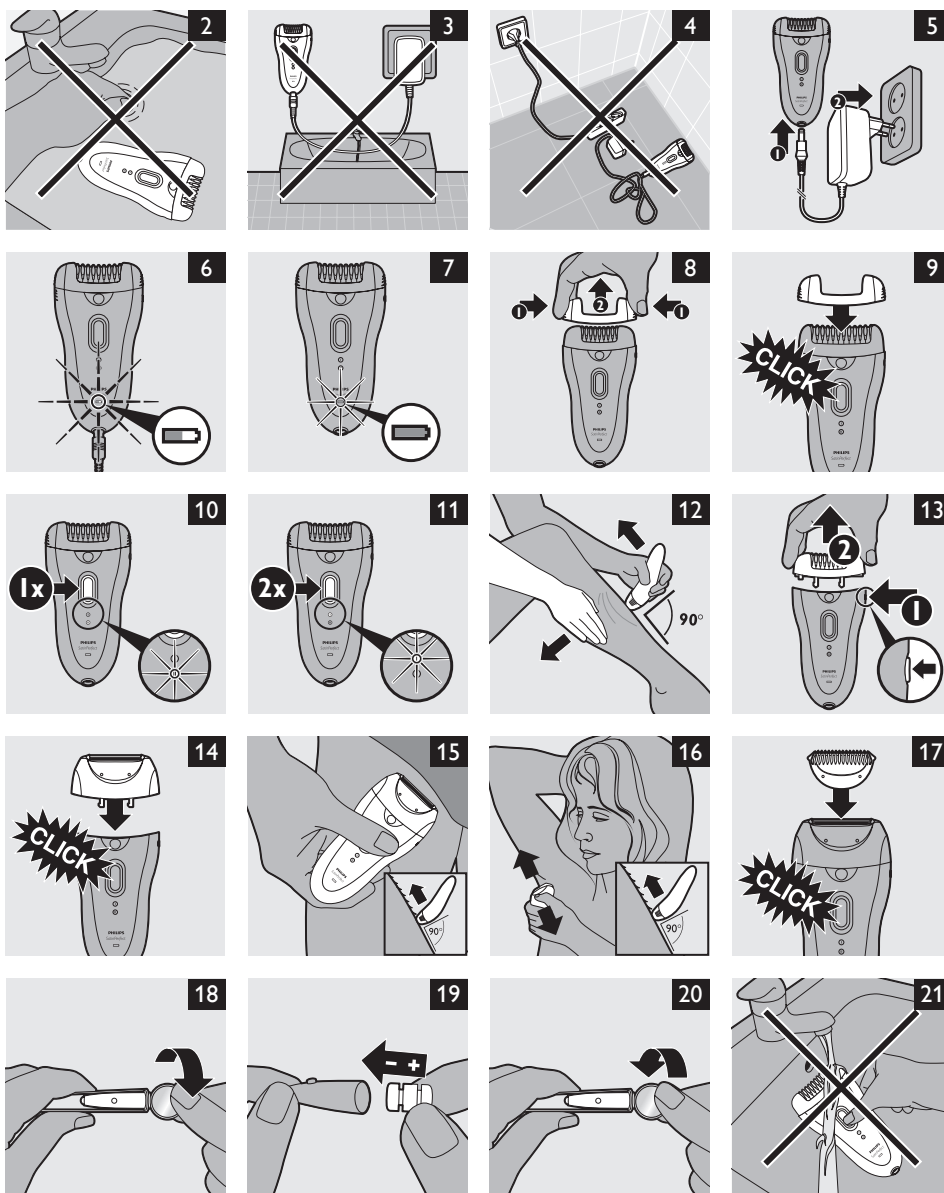
Sorun	Neden	Çözüm
Yetersiz epilasyon sonuçları	Epilatörü yanlış yönde hareket ettiriyorsunuz.	Epilatörü, açma/kapama düğmesi hareket ettirdiğiniz yöne bakacak şekilde, tüylerin çıkış yönünün tersine hareket ettirin.
	Epilasyon başlığını cildinize yanlış açıyla yerleştiriyorsunuz.	Epilasyon başlığını cildinizle 90° açı oluşturacak şekilde yerleştirdiğinizden emin olun (bkz. 'Epilatörün kullanımı' bölümü).
	Epilasyondan önce krem veya tüy dökücü krem kullandınız.	Cildinizin temiz, kremsiz ve kuru olduğundan emin olunuz. Epilasyondan önce krem sürmeyiniz.
	Tüyler çok kısıdır.	Bazen tüyler alınamayacak kadar kısa olabilir. Tüyler en iyi 3-4 mm uzunlukta alınabilir. Bu seansta alınamayan tüyler bir sonraki epilasyon seansında alınabilecek uzunluğa gelecektir. Ayrıca, cihazı cildiniz üzerinde birkaç kez hareket ettirerek de tüyleri yakalamaya çalışabilirsiniz.
Epilatör çalışmıyor.	Cihazın bağlı olduğu prizde elektrik yoktur.	Prizde elektrik olduğundan emin olun. Epilatörü banyo dolabındaki prize bağlıyorsanız, prizde elektrik olduğundan emin olmak için banyonun ışığını açmanız gerekebilir. Ayrıca, banyo dışında, çalışan bir priz de kullanabilirsiniz.

Sorun	Neden	Çözüm
	Aşırı ısınma koruması etkin hale getirilmiştir.	Epilatör durduğunda ve hız ayar göstergeleri ve şarj ışığı kırmızı renkte yanıp sönmeye başladığında, aşırı ısınma koruması devreye girmiştir. Cihazın soğumasını bekleyin. Işıkların yanıp sönmeye başlamesi 30 saniye sonra durur. Cihaz soğuduğunda, epilatörü tekrar çalıştırabilirsiniz. Işıklar tekrar yanıp sönmeye başlıyorsa, epilatör yeterince soğumamıştır.
	Şarj edilebilir piller bitmiştir.	Şarj ışığı sürekli olarak kırmızı renkte yandığında, piller bitmiştir ve cihazın şarj edilmesi gerekmektedir (bkz. 'Şarj Etme' bölümü). Ayrıca şarj edilebilir piller bittiğinde cihazı şebeke elektriğine bağlı olarak çalıştırabilirsiniz.
	Seyahat kilidi etkindir.	Hız ayar göstergeleri 2 kez beyaz renkte yanıp sönene kadar, açma/kapama düğmesine 3 saniye boyunca basın ve basılı tutun. Seyahat kilidi devre dışı bırakılır ve cihazı açmak için açma/kapama düğmesine basabilirsiniz. Seyahat kilidini devre dışı bırakmak için ayrıca, cihazın fişini giriş soketine, adaptörü ise prize takabilirsiniz.
	Dönen cımbızlar arasında bir nesne sıkıştırdığından veya cihazı cildinize çok sert bastırdığınızdan aşırı yük koruması etkin hale getirilmiştir.	Aşırı yük koruması devreye girdiğinde, hız ayar göstergeleri kırmızı renkte yanıp söner. Dönen cımbızları engelleyen nesneyi çıkarana kadar cımbızları başparmağınızla çevirin. Ardından cihazı tekrar çalıştırın. Cihazı cildinize çok sert bastırmayın.





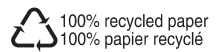








www.philips.com



100% recycled paper
100% papier recyclé

4203.000.4681.1