

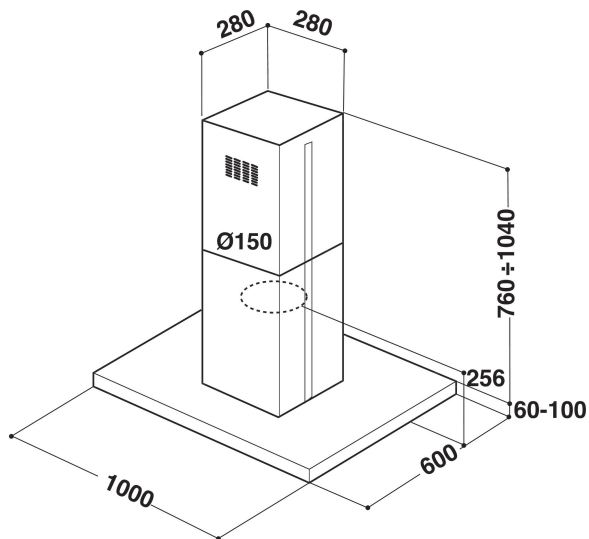
# AKR 810 IX

12NC: 857881001000

GTIN (EAN) code: 8003437757440

Whirlpool

SENSING THE DIFFERENCE



- Maximum noise level 67 dBA
- Noise Level (min. - max.): 46-67 dBA
- Air Flow (min. - max.): 240, 559 m<sup>3</sup>/h
- Maximum extraction rate: 559 (m<sup>3</sup>/h)
- Energy class D
- 3 speed settings
- 4 Halogen, 80 W lamps
- 1 x 175 W motor
- Electronic Backlit soft buttons
- 3 Washable stainless steel filters
- Backlit soft buttons
- Grease Filtering Efficiency Class: B
- Lighting Efficiency Class: F
- Fluid Dynamic Efficiency Class: C
- Operating Mode: Air extraction, Recirculating air
- Inox Finishing
- 1 Motor

## Whirlpool island cooker hood: 100cm - AKR 810 IX

This Whirlpool island Cooker Hood features: dishwasher-safe, washable stainless steel grease filters. An outstanding cooker extractor fan, ensuring a fresh, grease-free cooking environment. More than 90cm wide appliance. New design ensuring extra silent performance.



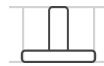
### Electronic control

Effortless control. This Whirlpool Hood includes an intuitive electronic user interface, designed to provide you with the simplest, most satisfying user experience ever.



### Stainless Steel Filter

Enjoy fresh air in your kitchen, always. This Whirlpool Hood includes a stainless steel purifying air filter, that effectively protects your kitchen from odours and grease.



### Flexible Installation

Flexible installation options. This Whirlpool Hood can be operated in either Ducted or Recirculated mode (filter needed), so you can enjoy complete freedom when designing your kitchen.



### 3 Speeds

Versatile performance. This Whirlpool Hood offers 3 speed options, giving you complete control over the extraction rate.



### Island installation

Outstanding beauty. This island-style hood is easy to install above your island cooker. Its design ensures it will be the centrepiece of your kitchen.



### Total annual energy consumption

Ideal performance, outstanding savings. Whirlpool Hoods are designed to provide exceptional results, while reducing energy costs.



### Light Soft touch button

Light Soft Touch button. Your hood's options are only a fingertip away, thanks to the Light Soft touch button.



### Halogen Lamps

Halogen lamps generate 3 times more light than normal lamps, so you can always see what's cooking.



### 4 lights

Perfect lighting. This Whirlpool Hood features four integrated lights, providing ideal illumination, so you'll always be able to see what's cooking.



### Energy class D

This is an Energy Class D appliance.

# AKR 810 IX

12NC: 857881001000

GTIN (EAN) code: 8003437757440

**Whirlpool**

SENSING THE DIFFERENCE

## MAIN FEATURES

Product group	Hood
Colour body	Inox
Material body	Stainless steel
Colour chimney	-
Material chimney	-
Typology	Island/Ceiling
Installation type	Island
Type of control	Electronic
Type of control settings	-
Decor panel options	N/A
Motor location	Integrated motor in hood chimney
Operating Mode	Convertible
Electrical connection rating (W)	255
Current (A)	1,1
Voltage (V)	220-240
Frequency (Hz)	50/60
Length of Electrical Supply Cord (cm)	150
Plug type	Schuko
Chimney height (mm)	600-820
Height of product, without chimney (mm)	60
Height of the product	1040
Width of the product	1000
Depth of the product	600
Minimum niche height	0
Minimum niche width	0
Niche depth	0
Net weight (kg)	30.9

## TECHNICAL FEATURES

Type of manual control devices	Backlit soft buttons
Type of automatic control devices	-
Number of motors	1
Total power of the motors (W)	175
Number of speed settings: boost option availability	3
Boost presence	No
Maximum output air extraction (m <sup>3</sup> /h)	630
Boost position air extraction (m <sup>3</sup> /h)	0
Maximum output recirculating air (m <sup>3</sup> /h)	455
Boost position output recirculating (m <sup>3</sup> /h)	0
Light Control Type	On/Off
Number of lights	4
Type of lamps used	Halogen
Total power of the lamps (W)	80
Diameter of air outlet (mm)	150
No-return airflow flap	No
Grease filter material	Washable stainless steel
Odour filter	No

## PERFORMANCES

Sound power at min. speed (2010/30/EU)	46
Sound power at max. speed (2010/30/EU)	67
Noise level with boost position (dB(A) re 1 pW)	0

