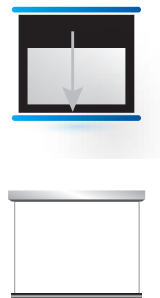


MASTER ELECTROL

Motorized projection screen for wall or ceiling installations

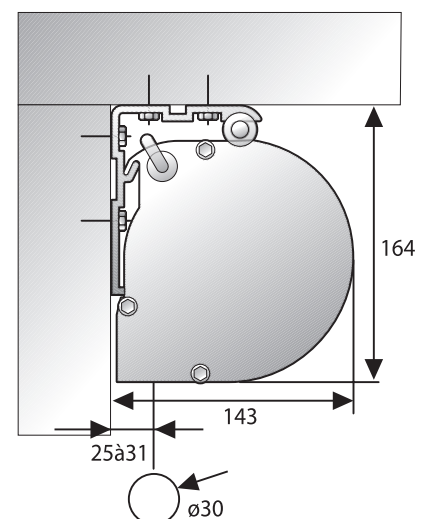
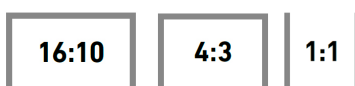
PROJECTA
REFLECTING YOUR VISION



Product specifications:

- Electrically operated projection screen 230 volt (50Hz) with a usage of no more than 0.61 Ampere (140.3 Watt).
- The motor is mounted inside the roller, 4 wire, 17 rotations per minute, maintenance free, integrated brake and thermal overload cut-out.
- The end positions are pre-set.
- The 4 wire connection is pre-installed and goes through the anodised rounded aluminium casing and can easily be connected to an electric installation.
- Suitable for wall and ceiling mounting with the supplied flexible mounting brackets.
- The round slat bar closes off the bottom of the casing.
- The screen fabrics are flame retardant.
- Seamless fabric up to a height of 190 cm. The seam in the rear projection screen surface may be slightly visible under projection.
- Standard a 3 position wall switch is supplied.
- The projection screen is tested and monitored by the TÜV/GS programme (EN 60335-1 and EN 60335-2-97) and CE marked and satisfies the strictest quality and safety requirements.

Aspect Ratios:

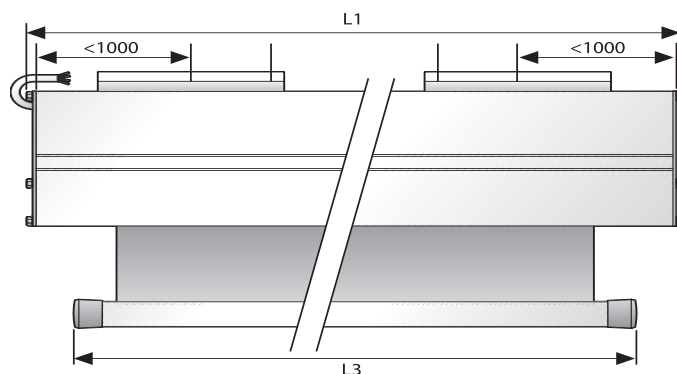


Available dimensions

Minimum width: 400 cm
Maximum width: 500 cm

PROJECTA A BRAND OF MILESTONE AV TECHNOLOGIES BV || www.projectascreens.com

P +31.(0)495.580.840 || F +31.(0)495.580.845 || emea.sales@milestone.com



		Viewing Area	Dimensions		Border	Net weight
		cm	L1 mm	L3 mm	cm	kg
16:10	250 x 400	250 x 400	4160	4080	0	55
	313 x 500	313 x 500	5160	5080	0	67
4:3	300 x 400	300 x 400	4160	4080	0	55
	375 x 500	375 x 500	5160	5080	0	67
1:1	400 x 400	400 x 400	4160	4080	0	58
	350 x 400	350 x 400	4160	4080	0	57
	300 x 500	300 x 500	5160	5080	0	65
	400 x 500	400 x 500	5160	5080	0	68

Available standard resolution projection surfaces

Matte White

Gain: 1.0
 Viewing Angle: 100°
 Base material: Vinyl
 Fire retardancy: B1 (DIN 4102-1; test report 16301)
 M1 (NR P 92-512:1986; test report P107396 – DE/1)
 Black backing: No
 Seamless: No
 GreenGuard certification: No

Retrotex (rear projection)

Gain: 0.5
 Viewing Angle: 60°
 Base material: Vinyl
 Fire retardancy: M1 (test report 14896-09)
 Seamless: No
 GreenGuard certification: No

Certifications

- Products are manufactured in an ISO14001 certified facility
- Projecta is an ISO 9001 certified company
- REACH - Registration, Evaluation, Authorisation and Restriction of Chemical substances.
- RoHS - Restriction of Hazardous Substances.
- WEEE - Waste Electronic and Electrical Equipment Regulations.



Customisation

Give exact the sizes of the projection screen you need:

Viewing size: _____ Height (cm.) x _____ width (cm.)

Surface: _____

RAL color case and plastic parts: RAL _____

Motor positioned on right side

Screen fabric mounted reversely

Remarks: _____

Accessories - control options

For projection screens with a standard motor / delivered as standard with a wall switch

- Easy Install RF remote control (868,3 Mhz)
 - Easy Install wireless projectorcoupling (868,3 Mhz)
 - Easy Install wireless RF wall switch (868,3 Mhz)
- Easy Install RF remote control with projectorcoupling (868,3 Mhz)
- Easy Install projectorcoupling with cable
- Easy Install IR remote control
- Easy Install plug & play relaybox with potential free contacts
 - Easy Install plug & play RS232/RS422 control kit
 - Easy Install plug & play RS232/RS422 with IP control kit
- Keyswitch

Accessories - installation

- Ceiling brackets
- Set extension brackets

Warranty

Projecta provides a limited 5 year warranty on the Elpro Concept range and a limited 2 year warranty on all other products. The warranty on the motor of electrical screens is 5 year. All warranties are in effect beginning the date the product was invoiced by Projecta.