



EN Hob
IT Piano cottura

User Manual 2
Istruzioni per l'uso 19



Electrolux

CONTENTS

1. SAFETY INFORMATION.....	2
2. SAFETY INSTRUCTIONS.....	5
3. INSTALLATION.....	7
4. PRODUCT DESCRIPTION.....	11
5. DAILY USE.....	11
6. HINTS AND TIPS.....	13
7. CARE AND CLEANING.....	13
8. TROUBLESHOOTING.....	15
9. TECHNICAL DATA.....	16
10. ENERGY EFFICIENCY.....	17

WE'RE THINKING OF YOU

Thank you for purchasing an Electrolux appliance. You've chosen a product that brings with it decades of professional experience and innovation. Ingenious and stylish, it has been designed with you in mind. So whenever you use it, you can be safe in the knowledge that you'll get great results every time.

Welcome to Electrolux.

Visit our website to:



Get usage advice, brochures, trouble shooter, service and repair information:
www.electrolux.com/support



Register your product for better service:
www.registerelectrolux.com



Buy Accessories, Consumables and Original spare parts for your appliance:
www.electrolux.com/shop

CUSTOMER CARE AND SERVICE

Always use original spare parts.

When contacting our Authorised Service Centre, ensure that you have the following data available: Model, PNC, Serial Number.

The information can be found on the rating plate.

 Warning / Caution-Safety information

 General information and tips

 Environmental information

Subject to change without notice.

1. SAFETY INFORMATION

Before the installation and use of the appliance, carefully read the supplied instructions. The manufacturer is not responsible for any injuries or damages that are the result of incorrect installation or usage. Always keep the

instructions in a safe and accessible location for future reference.

1.1 Children and vulnerable people safety

- This appliance can be used by children aged from 8 years and above and persons with reduced physical, sensory or mental capabilities or lack of experience and knowledge if they have been given supervision or instruction concerning the use of the appliance in a safe way and understand the hazards involved.
- Children between 3 and 8 years of age and persons with very extensive and complex disabilities shall be kept away unless continuously supervised.
- Children of less than 3 years of age should be kept away unless continuously supervised.
- Do not let children play with the appliance.
- Keep all packaging away from children and dispose of it appropriately.
- Keep children and pets away from the appliance when it operates or when it cools down. Accessible parts are hot.
- If the appliance has a child safety device, it should be activated.
- Children shall not carry out cleaning and user maintenance of the appliance without supervision.

1.2 General Safety

- **WARNING:** The appliance and its accessible parts become hot during use. Care should be taken to avoid touching heating elements.
- Do not operate the appliance by means of an external timer or separate remote-control system.
- **WARNING:** Unattended cooking on a hob with fat or oil can be dangerous and may result in fire.
- **NEVER** try to extinguish a fire with water, but switch off the appliance and then cover flame e.g. with a lid or a fire blanket.

- **CAUTION:** The cooking process has to be supervised. A short term cooking process has to be supervised continuously.
- **WARNING:** Danger of fire: Do not store items on the cooking surfaces.
- Metallic objects such as knives, forks, spoons and lids should not be placed on the hob surface since they can get hot.
- Do not use a steam cleaner to clean the appliance.
- If the glass ceramic surface / glass surface is cracked, switch off the appliance and unplug it from the mains. In case the appliance is connected to the mains directly using junction box, remove the fuse to disconnect the appliance from power supply. In either case contact the Authorised Service Centre.
- In case of hotplate glass breakage:
 - shut immediately off all burners and any electrical heating element and isolate the appliance from the power supply,
 - do not touch the appliance surface,
 - do not use the appliance.
- If the supply cord is damaged, it must be replaced by the manufacturer, an authorized Service or similarly qualified persons in order to avoid a hazard.
- Where the appliance is directly connected to the power supply, an all-pole isolating switch with a contact gap is required. Complete disconnection in compliance with the conditions specified in overvoltage category III must be guaranteed. The earth cable is excluded from this.
- When you route the mains cable, make sure that the cable doesn't come into direct contact (for example using insulating sleeving) with parts that can reach temperatures of more than 50°C above room temperature.
- **WARNING:** Use only hob guards designed by the manufacturer of the cooking appliance or indicated by the manufacturer of the appliance in the instructions

for use as suitable or hob guards incorporated in the appliance. The use of inappropriate guards can cause accidents.

2. SAFETY INSTRUCTIONS

This appliance is suitable for the following markets: IT

2.1 Installation



WARNING!

Only a qualified person must install this appliance.



WARNING!

Risk of injury or damage to the appliance.

- Remove all the packaging.
- Do not install or use a damaged appliance.
- Follow the installation instructions supplied with the appliance.
- Keep the minimum distance from other appliances and units.
- Always take care when moving the appliance as it is heavy. Always use safety gloves and enclosed footwear.
- Seal the cut surfaces with a sealant to prevent moisture to cause swelling.
- Protect the bottom of the appliance from steam and moisture.
- Do not install the appliance adjacent to a door or under a window. This prevents hot cookware falling from the appliance when the door or the window is opened.
- If the appliance is installed above drawers make sure that the space, between the bottom of the appliance and the upper drawer, is sufficient for air circulation.
- The bottom of the appliance can get hot. Make sure to install a non-combustible separation panel under the appliance to prevent access to the bottom.

2.2 Electrical Connection



WARNING!

Risk of fire and electric shock.

- All electrical connections should be made by a qualified electrician.
- The appliance must be earthed.
- Before carrying out any operation make sure that the appliance is disconnected from the power supply.
- Make sure that the parameters on the rating plate are compatible with the electrical ratings of the mains power supply.
- Make sure the appliance is installed correctly. Loose and incorrect electricity mains cable or plug (if applicable) can make the terminal become too hot.
- Use the correct electricity mains cable.
- Do not let the electricity mains cable tangle.
- Make sure that a shock protection is installed.
- Use the strain relief clamp on the cable.
- Make sure the mains cable or plug (if applicable) does not touch the hot appliance or hot cookware, when you connect the appliance to the near sockets.
- Do not use multi-plug adapters and extension cables.
- Make sure not to cause damage to the mains plug (if applicable) or to the mains cable. Contact our Authorised Service Centre or an electrician to change a damaged mains cable.
- The shock protection of live and insulated parts must be fastened in such a way that it cannot be removed without tools.
- Connect the mains plug to the mains socket only at the end of the installation. Make sure that there is

access to the mains plug after the installation.

- If the mains socket is loose, do not connect the mains plug.
- Do not pull the mains cable to disconnect the appliance. Always pull the mains plug.
- Use only correct isolation devices: line protecting cut-outs, fuses (screw type fuses removed from the holder), earth leakage trips and contactors.
- The electrical installation must have an isolation device which lets you disconnect the appliance from the mains at all poles. The isolation device must have a contact opening width of minimum 3 mm.

2.3 Gas connection

- All gas connections should be made by a qualified person.
- Before installation, make sure that the local distribution conditions (nature of the gas and gas pressure) and the adjustment of the appliance are compatible.
- Make sure that there is air circulation around the appliance.
- The information about the gas supply is on the rating plate.
- This appliance is not connected to a device, which evacuates the products of combustion. Make sure to connect the appliance according to current installation regulations. Pay attention to requirements regarding adequate ventilation.

2.4 Use



WARNING!

Risk of injury, burns and electric shock.

- Remove all the packaging, labelling and protective film (if applicable) before first use.
- Use this appliance in a household environment.
- Do not change the specification of this appliance.
- Make sure that the ventilation openings are not blocked.
- Do not let the appliance stay unattended during operation.

- Set the cooking zone to “off” after each use.
- Do not put cutlery or saucepan lids on the cooking zones. They can become hot.
- Do not operate the appliance with wet hands or when it has contact with water.
- Do not use the appliance as a work surface or as a storage surface.
- When you place food into hot oil, it may splash.



WARNING!

Risk of fire and explosion

- Fats and oil when heated can release flammable vapours. Keep flames or heated objects away from fats and oils when you cook with them.
- The vapours that very hot oil releases can cause spontaneous combustion.
- Used oil, that can contain food remnants, can cause fire at a lower temperature than oil used for the first time.
- Do not put flammable products or items that are wet with flammable products in, near or on the appliance.



WARNING!

Risk of damage to the appliance.

- Do not keep hot cookware on the control panel.
- Do not let cookware to boil dry.
- Be careful not to let objects or cookware fall on the appliance. The surface can be damaged.
- Do not activate the cooking zones with empty cookware or without cookware.
- Do not put aluminium foil on the appliance.
- Cookware made of cast iron, aluminium or with a damaged bottom can cause scratches on the glass / glass ceramic. Always lift these objects up when you have to move them on the cooking surface.
- Use only stable cookware with the correct shape and diameter larger than the dimensions of the burners.
- Make sure cookware is centrally positioned on the burners.

- Make sure the flame does not go out when you quickly turn the knob from the maximum to the minimum position.
- Use only the accessories supplied with the appliance.
- Do not install a flame diffuser on the burner.
- The use of a gas cooking appliance results in the production of heat and moisture. Provide good ventilation in the room where the appliance is installed.
- Prolonged intensive use of the appliance may call for additional ventilation, for example opening of a window, or more effective ventilation, for example increasing the level of mechanical ventilation where present.
- This appliance is for cooking purposes only. It must not be used for other purposes, for example room heating.
- Do not let acid liquids, for example vinegar, lemon juice or limescale remover, touch the hob. This can cause matt patches.
- Discoloration of the enamel or stainless steel has no effect on the performance of the appliance.
- Clean the appliance regularly to prevent the deterioration of the surface material.
- Deactivate the appliance and let it cool down before you clean it.
- Disconnect the appliance from the electrical supply before maintenance.
- Do not use water spray and steam to clean the appliance.
- Clean the appliance with a moist soft cloth. Only use neutral detergents. Do not use any abrasive products, abrasive cleaning pads, solvents or metal objects.
- Do not clean the burners in the dishwasher.

2.6 Service

- To repair the appliance contact an Authorised Service Centre.
- Use original spare parts only.

2.7 Disposal



WARNING!

Risk of injury or suffocation.

- Contact your municipal authority for information on how to discard the appliance correctly.
- Disconnect the appliance from the mains supply.
- Cut off the mains electrical cable close to the appliance and dispose of it.
- Flat the external gas pipes.

2.5 Care and cleaning



WARNING!

Do not remove the buttons, knobs or gaskets from the control panel. Water may get inside the appliance and cause damage.

3. INSTALLATION



WARNING!

Refer to Safety chapters.

3.1 Before the installation

Before you install the hob, write down the information bellow from the rating plate. The rating plate is on the bottom of the hob.

Model
 PNC
 Serial number

3.2 Gas Connection



WARNING!

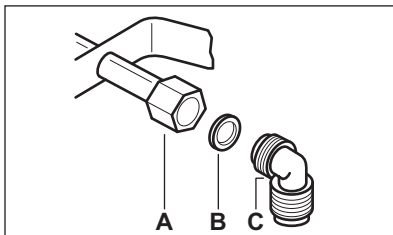
The following instructions about installation, maintenance and ventilation must be carried out by qualified personnel in compliance with the regulation in force (UNI-CIG 7129 - 7131). Make sure that the kitchen is well ventilated: keep natural ventilation holes open (at least 100 cm²) or install a mechanical extractor hood.

Choose fixed connections or use a flexible pipe in stainless steel in compliance with the regulation in force. If you use flexible metallic pipes, be careful they do not come in touch with mobile parts or they are not squeezed. Also be careful when the hob is put together with an oven.



Make sure that the gas supply pressure of the appliance obeys the recommended values.

If the supplied pressure has not the specified value, it is necessary to assemble a proper pressure regulator in compliance with the standard UNI EN 88. For Liquid Gas (LPG) the use of pressure regulator is allowed only if they are in compliance with UNI EN 12864. The adjustable connection is fixed to the comprehensive ramp by means of a threaded nut G 1/2". Screw the parts without force, adjust the connection in the necessary direction and tighten everything.



- A.** End of shaft with nut
B. Washer supplied with the appliance

C. Elbow supplied with the appliance

Rigid connection:

Carry out connection by using metal rigid pipes (copper with mechanical end) (UNI-CIG 7129).

Flexible connection:

Use a flexible pipe in stainless steel (UNI-CIG 9891) with a maximum length 2 m.



WARNING!

When installation is complete, make sure that the seal of each pipe fitting is correct. Use a soapy solution, not a flame!

3.3 Injectors replacement

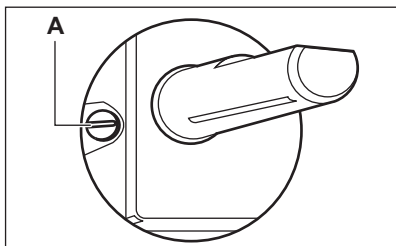
1. Remove the pan supports.
2. Remove the caps and crowns of the burner.
3. With a socket spanner 7 remove the injectors and replace them with the ones which are necessary for the type of gas you use (see table in "Technical Data" chapter).
4. Assemble the parts, follow the same procedure backwards.
5. Replace the rating plate (it is near the gas supply pipe) with the one for the new type of gas supply. You can find this plate in the package supplied with the appliance.

If the supply gas pressure is changeable or different from the necessary pressure, you must fit an applicable pressure adjuster on the gas supply pipe.

3.4 Adjustment of minimum level

To adjust the minimum level of the burners:

1. Light the burner.
2. Turn the knob on the minimum position.
3. Remove the knob .
4. With a thin screwdriver, adjust the bypass screw position (A).



5. If you change:
- from natural gas G20 20 mbar to liquid gas, fully tighten the bypass screw in.
 - from liquid gas to natural gas G20 20 mbar, undo the bypass screw approximately 1/4 of a turn (1/2 of a turn for Multi Crown burner).

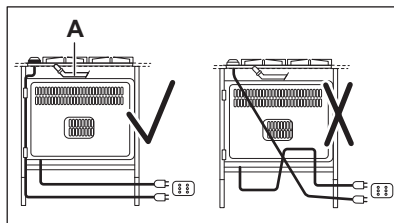
**WARNING!**

Make sure the flame does not go out when you quickly turn the knob from the maximum position to the minimum position.

3.5 Electrical connection

- Make sure that the rated voltage and type of power on the rating plate agree with the voltage and the power of the local power supply.
- This appliance is supplied with a mains cable. It has to be supplied with a correct plug which can hold the load that the rating plate rates. Make sure that you install the plug in a correct socket.
- Always use a correctly installed shockproof socket.
- Make sure that there is an access to the mains plug after the installation.
- Do not pull the mains cable to disconnect the appliance. Always pull the mains plug.
- There is a risk of fire when the appliance is in connection with an extension cable, an adapter or a multiple connection. Make sure that the ground connection agrees with the standards and regulations.
- Do not let the power cable to heat up to a temperature higher than 90° C.

To prevent contact between the cable and the appliance below the hob use the clamps which are on the side of the cabinet.

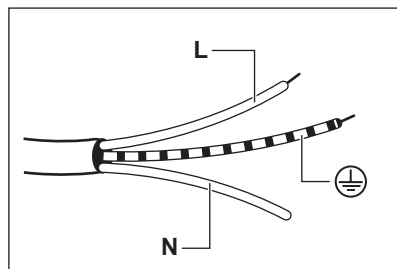



- A. Rigid copper pipe or flexible pipe of stainless steel

3.6 Connection cable

To replace the connection cable use only the special cable or its equivalent. The cable type is: H03V2V2-F T90.

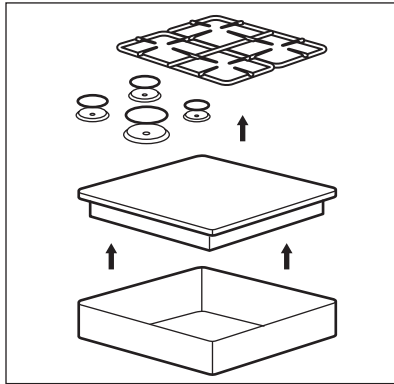
Make sure that the cable section is applicable to the voltage and the working temperature. The yellow / green earth wire must be approximately 2 cm longer than the brown (or black) phase wire.



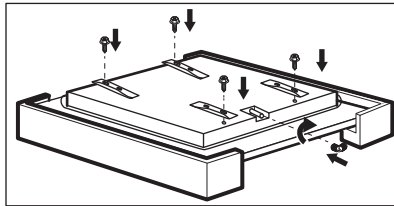
1. Connect the green and yellow (earth) wire to the terminal which is marked with the letter 'E', or the earth symbol , or coloured green and yellow.
2. Connect the blue (neutral) wire to the terminal which is marked with the letter 'N' or coloured blue.
3. Connect the brown (live) wire to the terminal which is marked with the letter 'L'. It must always be connected to the network phase.

3.7 Assembly

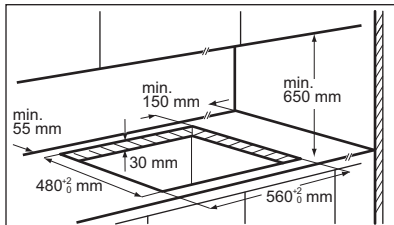
1.



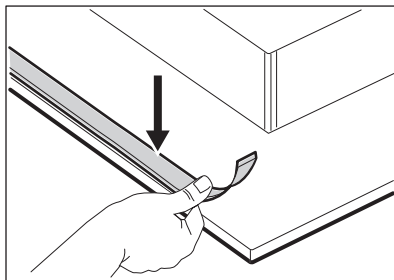
2.



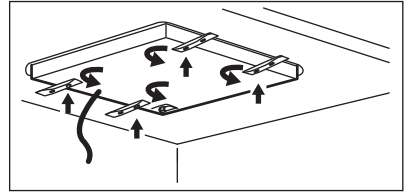
3.



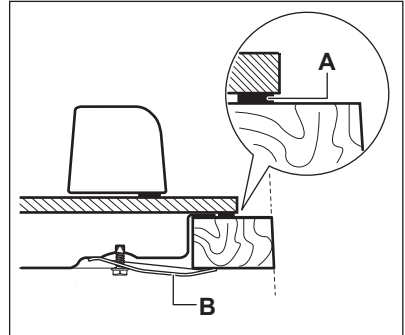
4.



5.

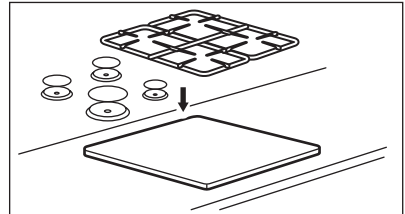


6.



A) supplied seal
B) supplied brackets

7.



CAUTION!
Install the appliance only on
a worktop with flat surface.

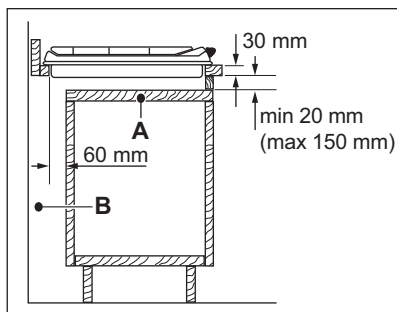
3.8 Installing hob under the hood



If you install the hob under a
hood, please see the
installation instructions of the
hood for the minimum
distance between the
appliances.

3.9 Possibilities for insertion

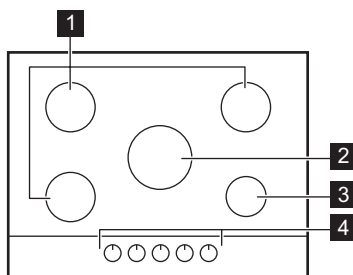
The panel installed below the hob must
be easy to remove and let an easy
access in case a technical assistance
intervention is necessary.

Kitchen unit with door

- A.** Removable panel
B. Space for connections

Kitchen unit with oven

The electrical connection of the hob and the oven must be installed separately for safety reasons and to let easy remove oven from the unit.

4. PRODUCT DESCRIPTION**4.1 Cooking surface layout**

- 1** Semi-rapid burner
2 Multi Crown burner
3 Auxiliary burner
4 Control knobs

4.2 Control knob

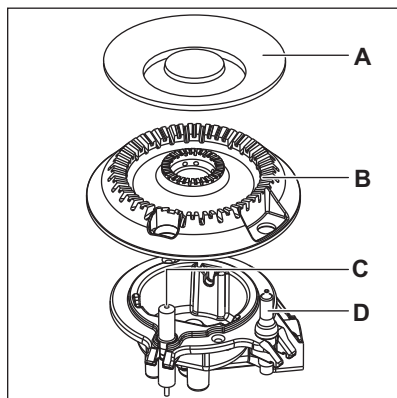
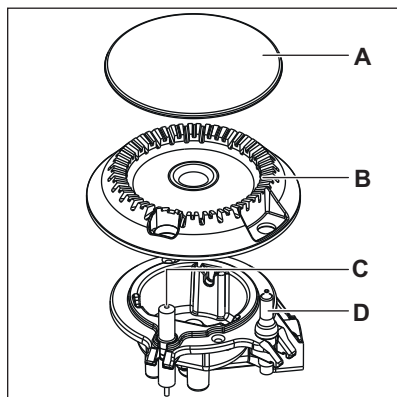
Symbol	Description
●	no gas supply / off position

Symbol	Description
⚡ 🔥	ignition position / maximum gas supply
🔥	minimum gas supply

5. DAILY USE

WARNING!
 Refer to Safety chapters.

5.1 Burner overview



- A. Burner cap
- B. Burner crown
- C. Ignition candle
- D. Thermocouple

5.2 Ignition of the burner

- i** Always light the burner before you put on the cookware.



WARNING!

Be very careful when you use open fire in the kitchen environment. The manufacturer declines any responsibility in case of the flame misuse.

1. Push the control knob down and turn it counterclockwise to the maximum gas supply position (Ⓐ).
2. Keep the control knob pushed for equal or less than 10 seconds. This lets the thermocouple warm up. If not, the gas supply is interrupted.
3. Adjust the flame after it is regular.



If after some tries the burner does not light, check if the crown and its cap are in correct positions.



WARNING!

Do not keep the control knob pushed for more than 15 seconds. If the burner does not light after 15 seconds, release the control knob, turn it into off position and try to light the burner again after minimum 1 minute.



CAUTION!

In the absence of electricity you can ignite the burner without electrical device; in this case approach the burner with a flame, turn the control knob counterclockwise to maximum gas supply position and push it down. Keep the control knob pushed for equal or less than 10 seconds to let the thermocouple warm up.



If the burner accidentally goes out, turn the control knob to the off position and try to light the burner again after minimum 1 minute.



The spark generator can start automatically when you switch on the mains, after installation or a power cut. It is normal.



The hob is supplied with the progressive valves. They make the flame regulation more precise.

5.3 Turning the burner off

To put the flame out, turn the knob to the off position ●.



WARNING!

Always turn the flame down or switch it off before you remove the pans from the burner.

6. HINTS AND TIPS



WARNING!

Refer to Safety chapters.

6.1 Cookware



CAUTION!

Do not use cast iron pans, clay or earthenware pots, grilling accessories or toaster plates.



WARNING!

Do not put the same pan on two burners.



WARNING!

Do not put unstable or damaged pots on the burner to prevent spills and injuries.



CAUTION!

Make sure that the bottoms of pots do not stand too close to the control knob, otherwise the flame heats the control knob up.



CAUTION!

Make sure that pot handles are not above the front edge of the cooktop.



CAUTION!

Make sure that the pots are placed centrally on the burner in order to get the maximum stability and a lower gas consumption.



CAUTION!

Liquids spilt during cooking can cause the glass to break.

6.2 Diameters of cookware



CAUTION!

Use cookware with diameters applicable to the size of burners.

Burner	Diameter of cookware (mm)
Multi Crown	220 - 260
Semi-rapid (rear left)	120 - 240
Semi-rapid (rear right)	120 - 240
Semi-rapid (front left)	120 - 220
Auxiliary	80 - 180

7. CARE AND CLEANING



WARNING!

Refer to Safety chapters.

7.1 General information

- Clean the hob after each use.
- Always use cookware with a clean base.
- Scratches or dark stains on the surface have no effect on how the hob operates.

- Use a special cleaner suitable for the surface of the hob.



WARNING!

Do not use knives, scrapers or similar instruments to clean the surface of the glass or the rims of the burners and the frame (if applicable).

- Wash stainless steel parts with water, and then dry them with a soft cloth.

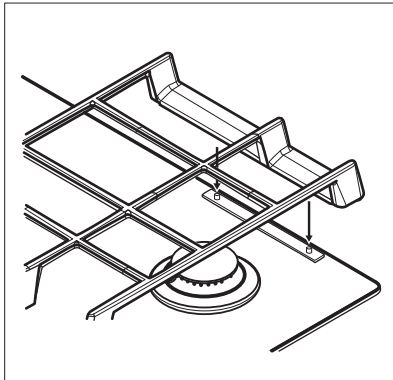
7.2 Pan supports

i The pan supports are not resistant to washing in a dishwasher. They must be washed by hand.

1. Remove the pan supports to easily clean the hob.

i Be very careful when you replace the pan supports to prevent the hob top from damage.

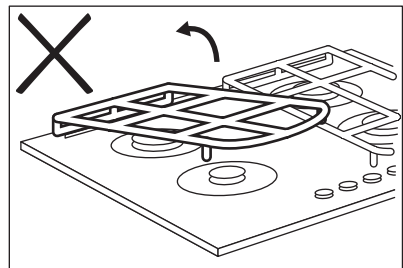
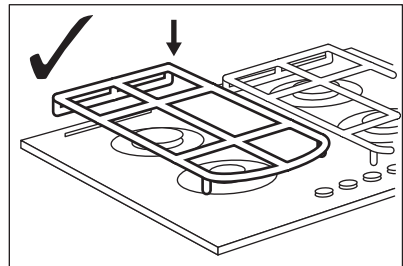
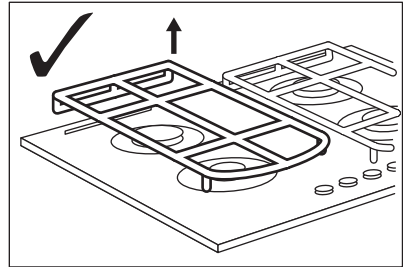
2. The enamel coating occasionally can have rough edges, so be careful when you wash the pan supports by hand and dry them. If necessary, remove stubborn stains with a paste cleaner.
3. After you clean the pan supports, make sure that they are in correct positions.
4. For the burner to operate correctly, make sure that the arms of the pan supports are aligned with the centre of the burner.



7.3 Removing pan supports

To keep the pan supports in the correct position, they are put on metal pins installed in the rear side of the hob. For easier cleaning, pan supports can be removed from the hob. Lift up the pan supports keeping them in horizontal position as shown in the graphic.

i Do not lift the pan supports at an angle, as this will put strain on the metal pins. This can cause damage to the pins and cause them to break.



The shape of pan supports and the amount of burners can be different in other models of the appliance.

7.4 Cleaning the hob

- **Remove immediately:** melted plastic, plastic foil, sugar and food with sugar, otherwise, the dirt can cause damage to the hob. Take care to avoid burns.
- **Remove when the hob is sufficiently cool:** limescale rings, water rings, fat stains, shiny metallic discoloration. Clean the hob with a moist cloth and a non-abrasive

detergent. After cleaning, wipe the hob dry with a soft cloth.

- To clean the enamelled parts, caps and crowns, wash them with warm soapy water and dry them carefully before you put them back on.

7.5 Cleaning the spark plug

This feature is obtained through a ceramic ignition candle with a metal

electrode. Keep these components well clean to prevent difficult lighting and check that the burner crown holes are not obstructed.

7.6 Periodic maintenance

Speak to your local Authorised Service Centre periodically to check the conditions of the gas supply pipe and the pressure adjuster, if fitted.

8. TROUBLESHOOTING



WARNING!

Refer to Safety chapters.

8.1 What to do if...

Problem	Possible cause	Remedy
There is no spark when you try to activate the spark generator.	The hob is not connected to an electrical supply or it is connected incorrectly.	Check if the hob is correctly connected to the electrical supply.
	The fuse is blown.	Make sure that the fuse is the cause of the malfunction. If the fuse is blown again and again, contact a qualified electrician.
The flame extinguishes immediately after ignition.	Burner cap and crown are placed incorrectly.	Place the burner cap and crown correctly.
	Thermocouple is not heated up sufficiently.	After lightning the flame, keep the knob pushed for equal or less than 10 seconds.
The flame ring is uneven.	Burner crown is blocked with food residues.	Make sure that the injector is not blocked and the burner crown is clean.

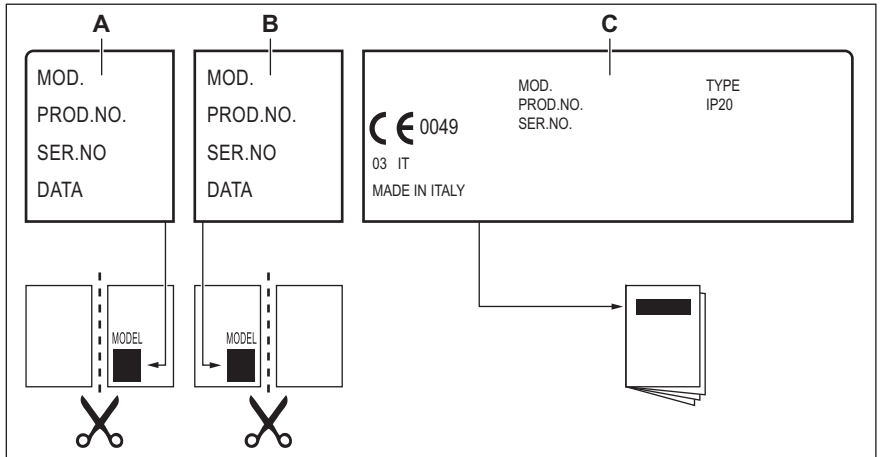
8.2 If you cannot find a solution...

If you cannot find a solution to the problem yourself, contact your dealer or an Authorised Service Centre. Give the data from the rating plate. Make sure, you operated the hob correctly. If not the servicing by a service technician or

dealer will not be free of charge, also during the warranty period. The instructions about the Service Centre and conditions of guarantee are in the guarantee booklet.

8.3 Labels supplied with the accessories bag

Stick the adhesive labels as indicated below:



- A.** Stick it on Guarantee Card and send this part (if applicable). **C.** Stick it on instruction booklet.
- B.** Stick it on Guarantee Card and keep this part (if applicable).

9. TECHNICAL DATA

9.1 Hob dimensions

Width	740 mm
Depth	510 mm

9.2 Bypass diameters

BURNER	Ø BYPASS 1/100 mm
Multi Crown	57
Semi-rapid	35
Auxiliary	28

9.3 Other technical data

TOTAL POWER:	Gas original:	G20 (2H) 20 mbar	10,9 kW
	Gas replacement:	G30 (3+) 28-30 mbar	745 g/h
		G31 (3+) 37 mbar	732 g/h
Electric supply:	220-240 V ~ 50-60 Hz		
Appliance category:	II2H3+		
Gas connection:	G 1/2"		
Appliance class:	3		

9.4 Gas burners for NATURAL GAS G20 20 mbar

BURNER	NORMAL POWER kW	MINIMUM POWER kW	INJECTOR MARK
Multi Crown	3,9	1,4	146
Semi-rapid	2,0	0,6	96x
Auxiliary	1,0	0,33	70

9.5 Gas burners for LPG G30/G31 28-30/37 mbar

BURNER	NORMAL POWER kW	MINIMUM POWER kW	INJECTOR MARK	NOMINAL GAS FLOW g/h	
				G30 28-30 mbar	G31 37 mbar
Multi Crown	3,55	1,4	095	258	254
Semi-rapid	1,9	0,6	71	138	136
Auxiliary	1,0	0,33	50	73	71

10. ENERGY EFFICIENCY

10.1 Product information according to EU 66/2014

Model identification	KGG7536K
Type of hob	Built-in hob
Number of gas burners	5


Energy efficiency per gas burner (EE gas burner)	Left rear - Semi-rapid	56.1%
	Right rear - Semi-rapid	56.1%
	Centre middle - Multi Crown	53.3%
	Left front - Semi-rapid	56.5%
	Right front - Auxiliary	not applicable
Energy efficiency for the gas hob (EE gas hob)		55.5%

EN 30-2-1: Domestic cooking appliances burning gas - Part 2-1 : Rational use of energy - General

10.2 Energy saving

- Before use, make sure that the burners and pan supports are assembled correctly.
- Use cookware with diameters applicable to the size of burners.
- Center the pot on the burner.
- When you heat up water, use only the amount you need.
- If it is possible, always put the lids on the cookware.
- When the liquid starts to boil, turn down the flame to barely simmer the liquid.
- If it is possible, use a pressure cooker. Refer to its user manual.

11. ENVIRONMENTAL CONCERNS

Recycle materials with the symbol . Put the packaging in relevant containers to recycle it. Help protect the environment and human health by recycling waste of electrical and electronic appliances. Do not dispose of

appliances marked with the symbol  with the household waste. Return the product to your local recycling facility or contact your municipal office.

INDICE

1. INFORMAZIONI DI SICUREZZA.....	19
2. ISTRUZIONI DI SICUREZZA.....	22
3. INSTALLAZIONE.....	25
4. DESCRIZIONE DEL PRODOTTO.....	29
5. UTILIZZO QUOTIDIANO.....	29
6. CONSIGLI E SUGGERIMENTI UTILI.....	31
7. PULIZIA E CURA.....	31
8. RISOLUZIONE DEI PROBLEMI.....	33
9. DATI TECNICI.....	35
10. EFFICIENZA ENERGETICA.....	36

PENSIAMO A TE

Grazie per aver acquistato un elettrodomestico Electrolux. Hai scelto un prodotto che ha alle spalle decenni di esperienza professionale e innovazione. Ingegnoso ed elegante, è stato progettato pensando a te. Quindi, in qualsiasi momento lo utilizzi, avrai la certezza di ottenere sempre i migliori risultati.

Ti diamo il benvenuto in Electrolux.

Visitate il nostro sito web per:



Ricevere consigli, scaricare i nostri opuscoli, eliminare eventuali anomalie, ottenere informazioni sull'assistenza e la riparazione:

www.electrolux.com/support



Per registrare il vostro prodotto e ricevere un servizio migliore:

www.registerelectrolux.com



Acquistare accessori, materiali di consumo e ricambi originali per la vostra apparecchiatura:

www.electrolux.com/shop

ASSISTENZA CLIENTI E ASSISTENZA TECNICA

Consigliamo sempre l'impiego di ricambi originali.

Quando si contatta il nostro Centro di Assistenza Autorizzato, accertarsi di avere a disposizione i dati seguenti: Modello, numero dell'apparecchio (PNC), numero di serie.

Le informazioni sono riportate sulla targhetta identificativa.

 Avvertenza/Attenzione - Importanti Informazioni per la sicurezza

 Informazioni generali e suggerimenti

 Informazioni ambientali

Con riserva di modifiche.

1. INFORMAZIONI DI SICUREZZA

Leggere attentamente le istruzioni fornite prima di installare e utilizzare l'apparecchiatura. I produttori non sono responsabili di eventuali lesioni o danni derivanti

da un'installazione o un uso scorretti. Conservare sempre le istruzioni in un luogo sicuro e accessibile per poterle consultare in futuro.

1.1 Sicurezza dei bambini e delle persone vulnerabili

- Questa apparecchiatura può essere usata da bambini a partire dagli 8 anni e da adulti con limitate capacità fisiche, sensoriali o mentali o con scarsa esperienza o conoscenza sull'uso dell'apparecchiatura, solamente se sorvegliati o se istruiti relativamente all'uso dell'apparecchiatura e se hanno compreso i rischi coinvolti.
- I bambini di età compresa fra i 3 e gli 8 anni e le persone con disabilità diffuse e complesse vanno tenuti lontani a meno che non vi sia una supervisione continua.
- Tenere lontani i bambini al di sotto dei 3 anni se non costantemente supervisionati.
- Non consentire ai bambini di giocare con l'apparecchiatura.
- Tenere gli imballaggi lontano dai bambini e smaltirli in modo adeguato.
- Tenere i bambini e gli animali domestici lontano dall'apparecchiatura durante il funzionamento o raffreddamento. Le parti accessibili sono incandescenti.
- Se l'apparecchiatura ha un dispositivo di sicurezza per i bambini sarà opportuno attivarlo.
- I bambini non devono eseguire interventi di pulizia e manutenzione sull'apparecchiatura senza essere supervisionati.

1.2 Avvertenze di sicurezza generali

- **AVVERTENZA:** L'apparecchiatura e le parti accessibili si riscaldano molto durante l'uso. Abbiate cura di non toccare gli elementi riscaldanti.

- Non utilizzare un timer esterno o un sistema di controllo remoto distinto per mettere in funzione l'apparecchiatura.
- **AVVERTENZA:** Non lasciare mai il piano di cottura incustodito durante la preparazione di cibi in quanto olio e grassi potrebbero provocare un incendio.
- Non tentare MAI di spegnere un incendio con dell'acqua; spegnere l'apparecchiatura e coprire le fiamme ad es. con un coperchio o una coperta di protezione dal fuoco.
- **ATTENZIONE:** Il processo di cottura deve essere sorvegliato. Un breve processo di cottura deve essere supervisionato senza soluzione di continuità.
- **AVVERTENZA:** Pericolo di incendio: Non conservare nulla sulle superfici di cottura.
- Oggetti metallici quali coltelli, forchette, cucchiari e coperchi non dovrebbero essere posti sulla superficie del piano di cottura in quanto possono diventare caldi.
- Non usare una pulitrice a vapore per pulire l'apparecchiatura.
- Se la superficie di vetroceramica/vetro presenta delle crepe, spegnere l'apparecchiatura e scollegarla dalla presa di corrente. Qualora l'apparecchiatura sia collegata direttamente alla corrente mediante una scatola di derivazione, togliere il fusibile per scollegarlo dall'alimentazione. Invitiamo in entrambi i casi a contattare il Centro Servizi Autorizzato.
- In caso di rottura del vetro della piastra:
 - spegnere immediatamente tutti i bruciatori e le resistenze elettriche, quindi staccare l'apparecchiatura dalla rete elettrica.
 - non toccare la superficie dell'apparecchiatura,
 - non utilizzare l'apparecchiatura.
- Se il cavo di alimentazione è danneggiato, deve essere sostituito dal produttore, da un tecnico autorizzato o da una persona qualificata per evitare situazioni di pericolo.

- Quando l'apparecchiatura è collegata direttamente all'alimentazione elettrica, è necessario un interruttore isolante onnipolare. È necessario che l'apparecchiatura si scollegi completamente dalla rete conformemente alle condizioni della categoria III relativa alla sovratensione. Il cavo di terra è escluso.
- Quando si collega il cavo di alimentazione, assicurarsi che non sia a contatto diretto (ad es. mediante l'impiego di manicotti di isolamento) con parti che possono raggiungere temperature superiori ai 50°C.
- **AVVERTENZA:** Servirsi unicamente di protezioni per il piano cottura progettate dal produttore dell'apparecchiatura o indicate dallo stesso nelle istruzioni d'uso, ad esempio accessori idonei o le protezioni del piano cottura incorporate nell'apparecchiatura. L'uso inadeguato delle protezioni può causare incidenti.

2. ISTRUZIONI DI SICUREZZA

Questa apparecchiatura è adatta ai seguenti mercati: IT

2.1 Installazione



AVVERTENZA!

L'installazione dell'apparecchiatura deve essere eseguita da personale qualificato.



AVVERTENZA!

Vi è il rischio di ferirsi o danneggiare l'apparecchiatura.

- Rimuovere tutti i materiali di imballaggio.
- Non installare o utilizzare l'apparecchiatura se è danneggiata.
- Attenersi alle istruzioni fornite insieme all'apparecchiatura.
- È necessario rispettare la distanza minima dalle altre apparecchiature.
- Prestare sempre attenzione in fase di spostamento dell'apparecchiatura, dato che è pesante. Usare sempre i guanti di sicurezza e le calzature adeguate.
- Proteggere le superfici di taglio con un materiale di tenuta per evitare che l'umidità causi dei rigonfiamenti.
- Proteggere la base dell'apparecchiatura da vapore e umidità.
- Non installare l'apparecchiatura accanto ad una porta o sotto una finestra, per evitare che pentole calde cadano dall'apparecchiatura quando la porta o la finestra sono aperte.
- Se l'apparecchiatura viene installata sopra dei cassetti, assicurarsi che lo spazio, tra la base dell'apparecchiatura e il cassetto superiore, sia sufficiente per il ricircolo d'aria.
- La base dell'apparecchiatura può surriscaldarsi. Si consiglia di installare un pannello divisorio in materiale non infiammabile al di sotto dell'apparecchiatura per rendere inaccessibile la base.

2.2 Collegamento elettrico



AVVERTENZA!

Rischio di incendio e scossa elettrica.

- Tutti i collegamenti elettrici devono essere realizzati da un elettricista qualificato.
- L'apparecchiatura deve disporre di una messa a terra.
- Prima di qualsiasi intervento, è necessario verificare che l'apparecchiatura sia scollegata dalla rete elettrica.
- Verificare che i parametri sulla targhetta siano compatibili con le indicazioni elettriche dell'alimentazione.
- Verificare che l'apparecchiatura sia installata correttamente. L'allentamento di un collegamento elettrico o di una spina (ove previsti) può provocare il surriscaldamento del terminale.
- Utilizzare il cavo di alimentazione appropriato.
- Evitare che i collegamenti elettrici si aggroviglino.
- Assicurarsi che la protezione da scosse elettriche sia installata.
- Utilizzare il morsetto fermacavo sul cavo.
- Assicurarsi che il cavo di alimentazione o la spina (ove prevista) non sfiori l'apparecchiatura calda o pentole calde quando si collega l'apparecchiatura alle prese vicine.
- Non utilizzare prese multiple e prolunghe.
- Accertarsi di non danneggiare la spina o il cavo (ove previsti). Contattare il nostro Centro Assistenza autorizzato o un elettricista qualificato per sostituire un cavo danneggiato.
- I dispositivi di protezione da scosse elettriche devono essere fissati in modo tale da non poter essere disattivati senza l'uso di attrezzi.
- Inserire la spina di alimentazione nella presa solo al termine dell'installazione. Verificare che la spina di alimentazione rimanga accessibile dopo l'installazione.

- Nel caso in cui la spina di corrente sia allentata, non collegarla alla presa.
- Non tirare il cavo di alimentazione per scollegare l'apparecchiatura. Tirare sempre dalla spina.
- Servirsi unicamente di dispositivi di isolamento adeguati: interruttori automatici, fusibili (quelli a tappo devono essere rimossi dal portafusibile), sganciatori per correnti di guasto a terra e relè.
- L'impianto elettrico deve essere dotato di un dispositivo di isolamento che consenta di scollegare l'apparecchiatura dalla presa di corrente a tutti i poli. Il dispositivo di isolamento deve avere una larghezza dell'apertura di contatto non inferiore ai 3 mm.

2.3 Collegamento gas

- Tutti i collegamenti del gas devono essere eseguiti da una persona qualificata.
- Prima di procedere con l'installazione, verificare che le condizioni di distribuzione locale (pressione e tipo di gas) e i valori preimpostati dell'apparecchiatura siano compatibili.
- Adottare le misure necessarie per garantire una corretta circolazione d'aria intorno all'apparecchiatura.
- Le informazioni relative all'alimentazione del gas si trovano sulla targhetta dei dati.
- La presente apparecchiatura non è collegata a un dispositivo per l'evacuazione dei residui di combustione. Assicurarsi di collegare l'apparecchiatura conformemente alle disposizioni vigenti sull'installazione. Fare attenzione ai requisiti relativi ad un'adeguata ventilazione.

2.4 Utilizzo



AVVERTENZA!

Rischio di lesioni, ustioni o scosse elettriche.

- Rimuovere tutti i materiali di imballaggio, le etichette e la pellicola protettiva (ove presente) prima del primo utilizzo.
- Utilizzare l'apparecchiatura in un ambiente domestico.

- Non modificare le specifiche tecniche dell'apparecchiatura.
- Accertarsi che le fessure di ventilazione non siano ostruite.
- Non lasciare mai l'apparecchiatura incustodita durante il funzionamento.
- Spegnerla la zona di cottura dopo ogni utilizzo.
- Non appoggiare posate o coperchi sulle zone di cottura. Possono diventare roventi.
- Non mettere in funzione l'apparecchiatura con le mani umide o quando c'è un contatto con l'acqua.
- Non utilizzare l'apparecchiatura come superficie di lavoro o come piano di appoggio.
- Un alimento immerso nell'olio molto caldo può provocare degli schizzi.



AVVERTENZA!

Pericolo di incendio ed esplosioni.

- Grassi e olio caldi possono rilasciare vapori infiammabili. Mantenere fiamme o oggetti caldi lontani da grassi e olio quando li si utilizza per cucinare.
- I vapori rilasciati da un olio molto caldo possono provocare una combustione spontanea.
- L'olio usato, che può contenere residui di cibo, può liberare delle fiamme ad una temperatura inferiore rispetto ad un olio utilizzato per la prima volta.
- Non appoggiare o tenere liquidi o materiali infiammabili, né oggetti facilmente incendiabili sull'apparecchiatura, al suo interno o nelle immediate vicinanze.



AVVERTENZA!

Vi è il rischio di danneggiare l'apparecchiatura.

- Non poggiare pentole calde sul pannello dei comandi.
- Non esporre al calore pentole vuote.
- Fare attenzione a non lasciar cadere oggetti o pentole sull'apparecchiatura. La superficie si potrebbe danneggiare.
- Non mettere in funzione le zone di cottura in assenza di pentole o con pentole vuote.

- Non appoggiare la pellicola di alluminio direttamente sull'apparecchiatura.
- Lo spostamento di pentole in ghisa, in alluminio o con fondi danneggiati può graffiare il vetro o la vetroceramica. Per spostare questi oggetti sollevarli sempre dalla superficie di cottura.
- Utilizzare solo pentole stabili, di forma corretta e con un diametro superiore alle dimensioni dei bruciatori.
- Assicurarsi che le pentole siano posizionate al centro dei bruciatori.
- Accertarsi che la fiamma non si spenga quando si gira rapidamente la manopola dalla posizione massima a quella minima.
- Usare esclusivamente gli accessori in dotazione con l'apparecchiatura.
- Non utilizzare un diffusore di fiamma sul bruciatore.
- Un'apparecchiatura per cottura a gas produce calore e umidità. Provvedere ad un'adeguata ventilazione nell'ambiente in cui si trova l'apparecchiatura.
- Se si prevede un impiego prolungato e intenso dell'apparecchiatura, può essere necessaria un'ulteriore fonte di aerazione, per esempio l'apertura di una finestra o un sistema più efficace, come l'aumento del livello di ventilazione meccanica, ove presente.
- L'apparecchiatura è destinata solo alla cottura. Non deve essere utilizzata per altri scopi, come per esempio il riscaldamento di un ambiente.
- Non lasciare che sostanze acide, come per esempio aceto, succo di limone od anticalcare vengano a contatto con il piano di cottura. Si potrebbero formare delle macchie opache.
- Lo scolorimento dello smalto o dell'acciaio inox non influisce sulle prestazioni dell'apparecchiatura.

2.5 Manutenzione e pulizia



AVVERTENZA!

Non togliere pulsanti, manopole o guarnizioni dal pannello dei comandi. L'acqua potrebbe penetrare nell'apparecchiatura e causare danni.

- Pulire regolarmente l'apparecchiatura per evitare il deterioramento dei materiali che compongono la superficie.
- Disattivare l'apparecchiatura e lasciarla raffreddare prima di procedere con la pulizia.
- Scollegare l'apparecchiatura dalla rete elettrica prima di eseguire le operazioni di manutenzione.
- Non nebulizzare acqua né utilizzare vapore per pulire l'apparecchiatura.
- Pulire l'apparecchiatura con un panno inumidito e morbido. Utilizzare solo detergenti neutri. Non usare prodotti abrasivi, spugnette abrasive, solventi od oggetti metallici.

- Non pulire i bruciatori in lavastoviglie.

2.6 Assistenza Tecnica

- Per riparare l'apparecchiatura contattare il Centro di Assistenza Autorizzato.
- Utilizzare esclusivamente ricambi originali.

2.7 Smaltimento



AVVERTENZA!

Rischio di lesioni o soffocamento.

- Rivolgersi all'autorità municipale per informazioni su come smaltire correttamente l'elettrodomestico.
- Staccare la spina dall'alimentazione elettrica.
- Tagliare il cavo elettrico dell'apparecchiatura e smaltirlo.
- Appiattire i tubi del gas esterni.

3. INSTALLAZIONE



AVVERTENZA!

Fare riferimento ai capitoli sulla sicurezza.

3.1 Prima dell'installazione

Prima di installare il piano di cottura, annotare l'informazione riportata di seguito presente sulla targhetta dei dati. La targhetta dei dati è applicata sul lato inferiore del piano di cottura.

Modello
 PNC
 Numero di serie

3.2 Collegamento gas



AVVERTENZA!

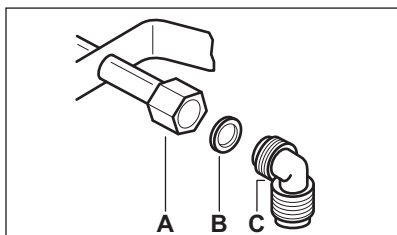
Le seguenti istruzioni d'installazione, manutenzione e ventilazione devono essere eseguite da personale qualificato conformemente alle disposizioni vigenti (UNI-CIG 7129 - 7131). Accertarsi che la cucina sia adeguatamente ventilata: tenere aperti i fori di ventilazione naturali (almeno 100 cm²) o installare una cappa meccanica.

Scegliere dei collegamenti fissi o usare un tubo flessibile in acciaio inossidabile conforme alle disposizioni vigenti. Se si utilizzano tubi in metallo flessibili, fare attenzione che non entrino in contatto con parti mobili o non siano schiacciati. Ulteriore attenzione è richiesta qualora al piano di cottura fosse abbinato il forno.



Accertarsi che la pressione del gas di alimentazione dell'apparecchiatura sia conforme ai valori consigliati.

Se la pressione fornita non ha il valore specificato, è necessario montare un adeguato regolatore di pressione in conformità allo standard UNI EN 88. Per il gas liquido (GPL), l'utilizzo di un regolatore di pressione è consentito solo in conformità allo standard UNI EN 12864. Il collegamento regolabile è fissato alla rampa per mezzo di un dado filettato G 1/2". Avvitare le parti senza forzare, regolare il raccordo nella direzione voluta e serrare il tutto.



- A. Estremità dell'albero con dado
- B. Rondella fornita in dotazione con l'apparecchiatura
- C. Gomito fornito in dotazione con l'apparecchiatura

Collegamento rigido:

Eseguire il collegamento mediante tubi in metallo rigidi (rame con finecorsa meccanico) (UNI-CIG 7129).

Collegamento flessibile:

Utilizzare un tubo flessibile in acciaio inox (UNI-CIG 9891) con una lunghezza massima di 2 m.



AVVERTENZA!

Al termine dell'installazione, verificare la tenuta di ciascun raccordo dei tubi. Usare una soluzione saponata, non una fiamma!

3.3 Sostituzione degli iniettori

1. Rimuovere i supporti pentole.
2. Rimuovere gli spartifiamma e le corone del bruciatore.
3. Con una chiave a bussola N. 7, togliere gli iniettori e sostituirli con

quelli richiesti per il tipo di gas utilizzato (vedere la tabella della sezione "Dati tecnici").

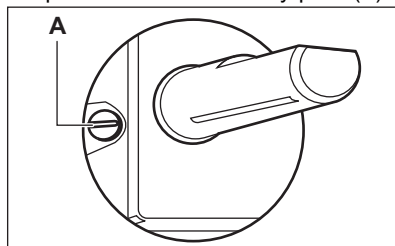
4. Rimontare i componenti, seguendo la stessa procedura in senso inverso.
5. Sostituire la targhetta dei dati (posizionata vicino al tubo di alimentazione del gas) con quella corrispondente al nuovo tipo di gas. Questa targhetta è presente nell'imballo fornito con l'apparecchiatura.

Se la pressione del gas di alimentazione è variabile o differente da quella prevista, montare un adattatore di pressione adeguato nel tubo di alimentazione del gas.

3.4 Regolazione del livello minimo

Per regolare il livello minimo dei bruciatori:

1. Accendere il bruciatore.
2. Ruotare la manopola sulla posizione minima.
3. Togliere la manopola.
4. Con un cacciavite sottile, regolare la posizione della vite di by-pass (A).



5. Se si passa da:
 - gas naturale G20 a 20 mbar a gas liquido, serrare a fondo la vite di by-pass.
 - da gas liquido a gas naturale G20 a 20 mbar, svitare la vite di bypass di circa 1/4 di giro (1/2 giro per bruciatore multi-corona).



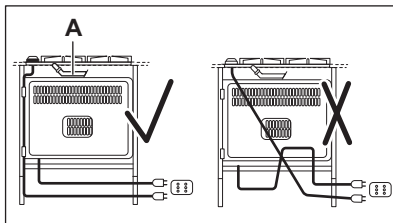
AVVERTENZA!

Accertarsi che la fiamma non si spenga quando si gira rapidamente la manopola dalla posizione massima a quella minima.

3.5 Collegamento elettrico

- Verificare che la tensione nominale e il tipo di corrente della rete di distribuzione corrispondano ai valori indicati sulla targhetta dei dati dell'apparecchiatura.
- L'apparecchiatura è provvista di cavo di collegamento alla rete. Deve essere dotato di una spina in grado di supportare il carico indicato sulla targhetta dei dati. Accertarsi di inserire la spina nella presa corretta.
- Utilizzare sempre una presa elettrica con contatto di protezione correttamente installata.
- Verificare che la spina di alimentazione rimanga accessibile dopo l'installazione.
- Non tirare il cavo di alimentazione per scollegare l'apparecchiatura. Tirare sempre dalla spina.
- Collegando l'apparecchiatura a una prolunga, adattatore o presa multipla esiste il rischio di incendio. Accertarsi che il collegamento di messa a terra sia in linea con le disposizioni e le norme in vigore.
- Il cavo di alimentazione non deve riscaldarsi ad una temperatura superiore a 90°C.

Per evitare il contatto tra il cavo e l'apparecchiatura al di sotto del piano di cottura, utilizzare dei morsetti sul lato dell'unità.

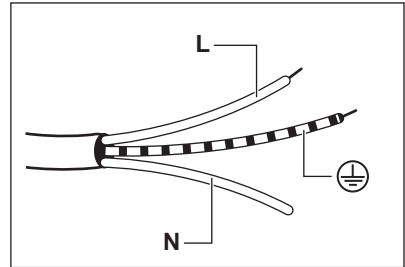


A. Condotto rigido in rame o tubo flessibile in acciaio inox

3.6 Cavo di collegamento

Per sostituire il cavo di collegamento utilizzare esclusivamente il cavo speciale o un suo equivalente. Il tipo di cavo è: H03V2V2-F T90.

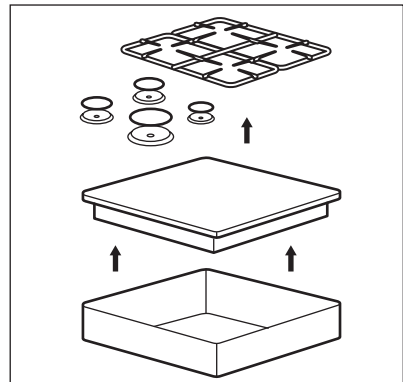
Accertarsi che il cavo sia di sezione idonea alla tensione e alla temperatura di esercizio. Il cavo di terra giallo/verde deve essere circa 2 cm più lungo del cavo di fase marrone (o nero).



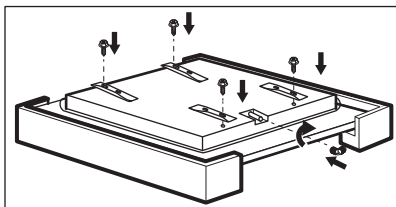
1. Collegare il filo di colore verde e giallo (terra) al morsetto contrassegnato dalla lettera "E" o dal simbolo di terra \oplus o colorato di verde e giallo.
2. Collegare il filo di colore blu (neutro) al morsetto contrassegnato dalla lettera "N" o colorato di blu.
3. Collegare il cavo di fase marrone (tensione) al terminale contrassegnato con la lettera "L". Questo deve sempre essere collegato alla fase di rete.

3.7 Montaggio

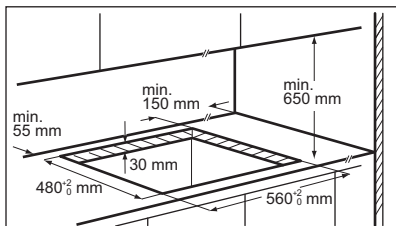
1.



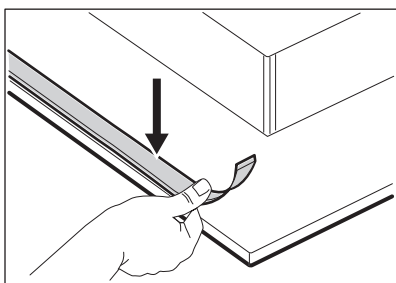
2.



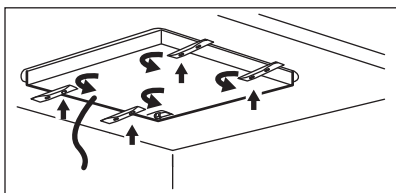
3.



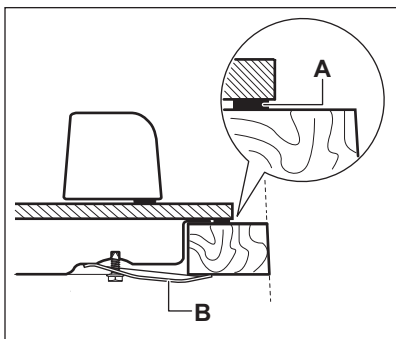
4.



5.



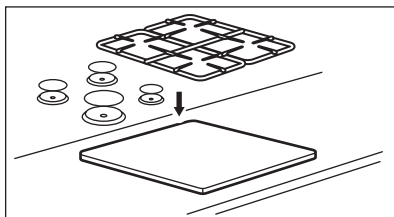
6.



A) guarnizione in dotazione

B) staffe in dotazione

7.



ATTENZIONE!

Installare l'apparecchiatura esclusivamente su un piano di lavoro dalla superficie piatta.

3.8 Installazione del piano di cottura sotto la cappa da cucina

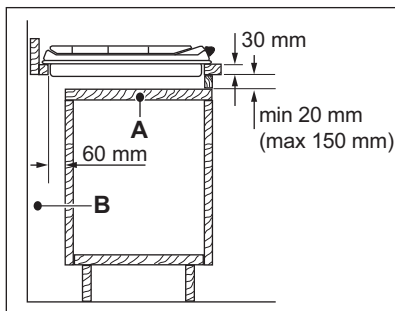


Se si installa il piano di cottura sotto a una cappa da cucina, fare riferimento alle istruzioni per l'installazione della cappa per la distanza minima tra le apparecchiature.

3.9 Possibilità di inserimento

Il pannello installato sotto il piano di cottura deve essere facilmente rimovibile e altrettanto facilmente deve consentire l'accesso in caso di interventi dell'assistenza tecnica.

Unità da cucina con porta



A. Pannello rimovibile
B. Spazio per gli allacciamenti

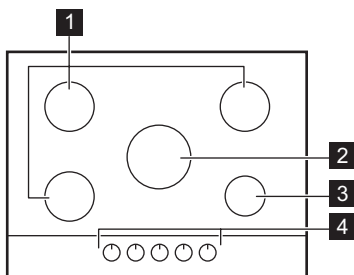
Mobile da incasso con forno

Il collegamento elettrico del piano di cottura e del forno deve essere eseguito separatamente per questioni di sicurezza

oltre che per consentire una facile rimozione del forno dall'unità.

4. DESCRIZIONE DEL PRODOTTO

4.1 Disposizione della superficie di cottura



- 1** Bruciatore semirapido
- 2** Bruciatore multi corona
- 3** Bruciatore ausiliario
- 4** Manopole di regolazione

4.2 Manopola di regolazione

Simbolo	Descrizione
●	alimentazione gas assente/posizione di spento
🔥	posizione di accensione/alimentazione massima del gas

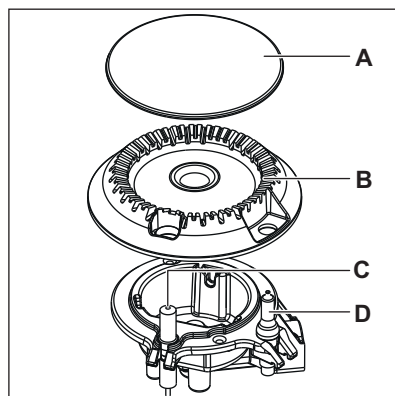
Simbolo	Descrizione
🔥	alimentazione minima del gas

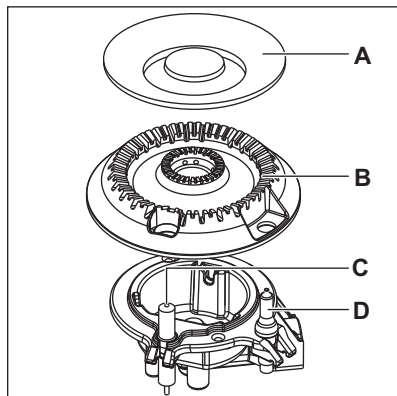
5. UTILIZZO QUOTIDIANO

**AVVERTENZA!**

Fare riferimento ai capitoli sulla sicurezza.

5.1 Panoramica bruciatore





- A. Spartifiamma bruciatore
- B. Corona bruciatore
- C. Candela di accensione
- D. Termocoppia

5.2 Accensione del bruciatore

i Accendere sempre il bruciatore prima di posizionare una pentola.

! **AVVERTENZA!** Fare attenzione in fase di utilizzo di fiamme libere all'interno della cucina. Il produttore declina qualsiasi responsabilità in caso di cattivo utilizzo delle fiamme.

1. Premere la manopola di regolazione e ruotarla in senso antiorario fino alla posizione massima (☞).
2. Tenere premuta la manopola di regolazione per circa 10 secondi. Questo consentirà il riscaldamento della termocoppia. In caso contrario, l'alimentazione del gas verrà interrotta.
3. Regolare la fiamma, dopo che si è stabilizzata.

i Se il bruciatore non si accende dopo alcuni tentativi, controllare che la corona e lo spartifiamma siano correttamente posizionati.

! **AVVERTENZA!** Non tenere la manopola di regolazione premuta per oltre 15 secondi. Se il bruciatore non si accende dopo 15 secondi, rilasciare la manopola di regolazione, ruotarla in posizione di spento e attendere almeno 1 minuto prima di tentare di riaccendere il bruciatore.

! **ATTENZIONE!** In assenza di elettricità è possibile accendere il bruciatore senza utilizzare il dispositivo elettrico; in tal caso sarà sufficiente avvicinarsi al bruciatore con una fiamma, premere verso il basso la relativa manopola e ruotarla in senso antiorario verso la posizione di massimo rilascio del gas. Mantenere premuta la manopola di regolazione per circa 10 secondi per far riscaldare la termocoppia.

i Nel caso in cui il bruciatore si dovesse spegnere, ruotare la manopola di regolazione in posizione di spento per cercare di riaccendere il bruciatore dopo almeno 1 minuto.

i Il generatore di scintille si avvia in modo automatico all'accensione delle prese, dopo l'installazione o dopo un'interruzione di corrente. Non si tratta di un'anomalia di funzionamento.

i Il piano di cottura viene fornito con delle valvole progressive. Queste rendono la regolazione della fiamma più precisa.

5.3 Spegnimento del bruciatore

Per spegnere la fiamma, ruotare la manopola in posizione di spento ●.

**AVVERTENZA!**

Ridurre o spegnere sempre la fiamma prima di rimuovere le pentole dal bruciatore.

6. CONSIGLI E SUGGERIMENTI UTILI

**AVVERTENZA!**

Fare riferimento ai capitoli sulla sicurezza.

6.1 Pentole

**ATTENZIONE!**

Non usare pentole in ghisa, teglie in terracotta o coccio, accessori per il grill o piastre tostapane.

**AVVERTENZA!**

Non mettere la stessa pentola su due bruciatori.

**AVVERTENZA!**

Evitare di posare sul bruciatore pentole instabili o deformate per prevenire versamenti e lesioni.

**ATTENZIONE!**

Assicurarsi che i basamenti delle pentole non siano poggiati troppo vicini alla manopola di regolazione, altrimenti la fiamma potrebbe surriscaldarla.

**ATTENZIONE!**

Assicurarsi che i manici della pentola non si trovino al di sopra del bordo anteriore del piano di cottura.

**ATTENZIONE!**

Assicurarsi che le pentole siano ben centrate sul bruciatore per ottenere la massima stabilità e per un consumo ridotto di gas.

**ATTENZIONE!**

I liquidi versati durante la cottura possono causare la rottura del vetro.

6.2 Diametro delle pentole

**ATTENZIONE!**

Usare pentole con diametro adatto alle dimensioni dei bruciatori.

Bruciatore	Diametro delle pentole (mm)
Multi corona	220 - 260
Semirapido (posteriore sinistro)	120 - 240
Semirapido (posteriore destro)	120 - 240
Semirapido (anteriore sinistro)	120 - 220
Ausiliario	80 - 180

7. PULIZIA E CURA

**AVVERTENZA!**

Fare riferimento ai capitoli sulla sicurezza.

7.1 Informazioni generali

- Pulire il piano di cottura dopo ogni impiego.

- Usare sempre pentole con il fondo pulito.
- I graffi o le macchie scure sulla superficie non compromettono il funzionamento del piano di cottura.
- Usare un prodotto di pulizia adatto alla superficie del piano di cottura.

**AVVERTENZA!**

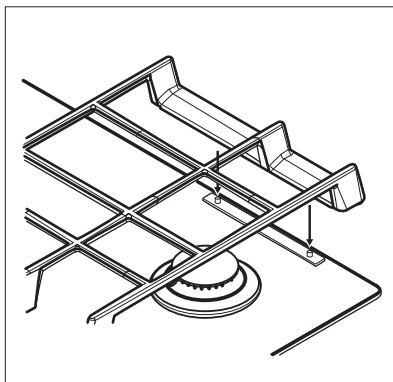
Non usare coltelli, raschietti o strumenti simili per pulire la superficie del vetro o tra i bordi del bruciatore e del telaio (se pertinente).

- Lavare le parti in acciaio inox con acqua e asciugarle con un panno morbido.

7.2 Supporti pentole

I supporti pentole non possono essere lavati in lavastoviglie. Devono essere lavati a mano.

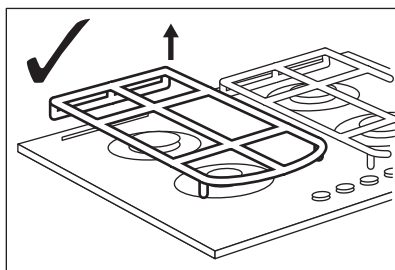
1. È possibile rimuovere i supporti pentole e pulire in modo facile il piano di cottura.
2. Il rivestimento smaltato a volte può presentare dei bordi ruvidi, quindi prestare attenzione nel lavare ed asciugare i supporti pentole a mano. Se necessario, rimuovere le macchie più ostinate servendosi di un apposito prodotto in pasta.
3. Dopo aver pulito i supporti pentole, assicurarsi che siano riposizionati correttamente.
4. Per fare in modo che il bruciatore funzioni correttamente, verificare che le braccia dei supporti pentole si trovino allineati al centro del bruciatore

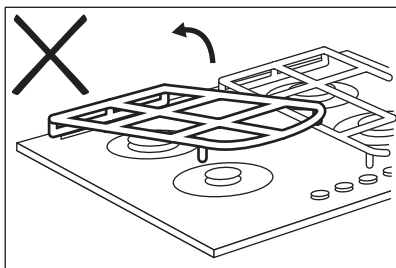
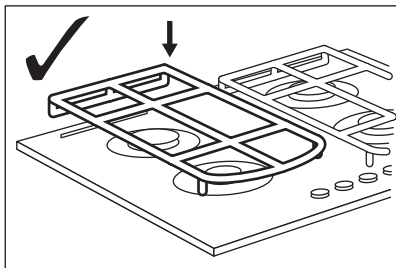
**7.3 Rimozione dei supporti pentole**

Per mantenere i supporti pentole nella posizione corretta, questi vengono posizionati su dei perni metallici sul lato posteriore del piano di cottura. Per consentire una migliore pulizia, è possibile rimuovere i supporti pentole dal piano di cottura. Sollevare le griglie del piano cottura mantenendole in posizione orizzontale come illustrato nell'immagine.



Non sollevare i supporti pentole tenendoli inclinati, per evitare qualsiasi tipo di sollecitazione sui perni metallici. Farlo potrebbe danneggiare i perni e causarne la rottura.





La forma dei supporti pentole e il numero di bruciatori possono variare in altri modelli dell'apparecchiatura.

7.4 Pulizia del piano di cottura

- **Togliere immediatamente:** plastica sciolta, pellicola in plastica, zucchero e alimenti con zucchero, in caso contrario la sporcizia potrebbe causare danni al piano cottura. Attenzione a evitare le ustioni.

- **Quando il piano di cottura è sufficientemente raffreddato, è possibile rimuovere:** i segni di calcare e d'acqua, le macchie di grasso e le macchie opalescenti. Pulire il piano di cottura con un panno umido e un detergente non abrasivo. Al termine della pulizia, asciugare il piano di cottura con un panno morbido.
- Per pulire gli elementi smaltati, lo spartifiamma e la corona, lavarli con acqua calda saponata e asciugarli attentamente prima di sistemarli nuovamente.

7.5 Pulizia della candela

Questa caratteristica viene ottenuta tramite una candela ceramica ed un elettrodo di metallo. Tenere questi componenti ben puliti per evitare difficoltà di accensione e controllare che i fori spartifiamma non siano ostruiti.

7.6 Manutenzione periodica

Consultare periodicamente il Centro di Assistenza autorizzato locale per verificare le condizioni del tubo della fornitura di gas e del regolatore di pressione, se presente.

8. RISOLUZIONE DEI PROBLEMI



AVVERTENZA!

Fare riferimento ai capitoli sulla sicurezza.

8.1 Cosa fare se...

Problema	Causa possibile	Rimedio
Il gas non si accende quando si preme il pulsante di accensione.	Il piano di cottura non è collegato a una fonte di alimentazione elettrica o non è collegato correttamente.	Accertarsi che il piano di cottura sia collegato correttamente alla rete elettrica.

Problema	Causa possibile	Rimedio
	È scattato il fusibile.	Verificare se l'anomalia di funzionamento è dovuta al fusibile. Nel caso in cui il fusibile continui a scattare, rivolgersi ad un elettricista qualificato.
	Lo spartifiamma del bruciatore e la corona non sono posizionati correttamente.	Posizionarli adeguatamente.
La fiamma si spegne immediatamente dopo l'accensione.	La termocoppia non si è riscaldata a sufficienza.	Dopo aver acceso la fiamma, tenere premuta la manopola per circa 10 secondi.
L'anello della fiamma non è omogeneo.	La corona del bruciatore è bloccata da residui di cibo.	Controllare che l'iniettore principale non sia ostruito e che la corona del bruciatore sia pulita.

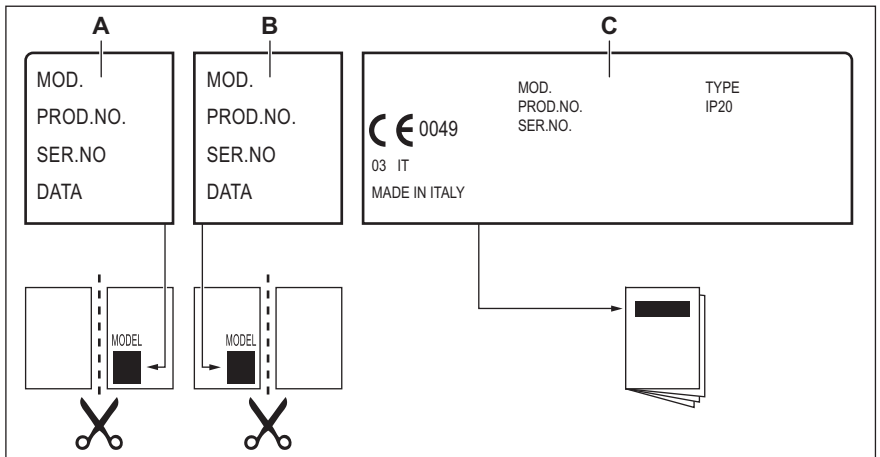
8.2 Se non è possibile trovare una soluzione...

Qualora non sia possibile trovare una soluzione al problema, contattare il rivenditore o il Centro di Assistenza Autorizzato. Fornire i dati riportati sulla targhetta dei dati. Assicurarsi di aver acceso il piano di cottura correttamente. In caso di azionamento errato dell'apparecchiatura, l'intervento del

tecnico del Centro di Assistenza o del rivenditore potrà essere effettuato a pagamento anche durante il periodo di garanzia. Le istruzioni relative al Centro di Assistenza e alle condizioni di garanzia sono contenute nel libretto della garanzia.

8.3 Etichette fornite con il sacchetto degli accessori

Attaccare le etichette adesive come indicato di seguito:



- A.** Attaccarla sul Foglietto di garanzia ed inviare questa parte (ove prevista).
- B.** Attaccarla sul Foglietto di garanzia e conservare questa parte (ove prevista).
- C.** Attaccarla sul libretto di istruzioni.

9. DATI TECNICI

9.1 Dimensioni del piano di cottura

Larghezza	740 mm
Profondità	510 mm

9.2 Diametri bypass

BRUCIATORE	Ø BYPASS 1/100 mm
Multi corona	57
Semi rapido	35
Ausiliario	28

9.3 Altri dati tecnici

POTENZA TOTALE:	Gas - Originale:	G20 (2H) 20 mbar	10,9 kW
	Gas - sostituzione:	G30 (3+) 28-30 mbar	745 g/h
		G31 (3+) 37 mbar	732 g/h
Alimentazione elettrica:	220-240 V ~ 50-60 Hz		
Categoria dell'apparecchiatura:	II2H3+		
Collegamento gas:	G 1/2"		
Classe dell'apparecchiatura:	3		

9.4 Bruciatori a GAS NATURALE G20 a 20 mbar

BRUCIATORE	POTENZA NORMALE kW	POTENZA MINIMA kW	SEGNO INIETTORE
Multi corona	3,9	1,4	146
Semi rapido	2,0	0,6	96x
Ausiliario	1,0	0,33	70

9.5 Bruciatori a gas per GPL G30/G31 28-30/37 mbar

BRUCIATORE	POTENZA NORMALE kW	POTENZA MINIMA kW	SEGNO INIETTORE	PORTATA NOMINALE GAS g/h	
				G30 28-30 mbar	G31 37 mbar
Multi corona	3,55	1,4	095	258	254
Semi rapido	1,9	0,6	71	138	136
Ausiliario	1,0	0,33	50	73	71

10. EFFICIENZA ENERGETICA

10.1 Informazioni prodotto conformi alla norma UE 66/2014

Identificativo modello	KGG7536K
Tipo di piano di cottura	Piano cottura a incasso
Numero di bruciatori a gas	5


Efficienza energetica per bruciatore a gas (EE gas burner)	Posteriore sinistro - Semirapido	56,1%
	Posteriore destro - Semirapido	56,1%
	Centrale al centro - Multi corona	53,3%
	Anteriore sinistro - Semirapido	56,5%
	Anteriore destro - Ausiliario	non applicabile
Efficienza energetica per il piano di cottura a gas (EE gas hob)		55.5%


EN 30-2-1: Gas combustibile per elettrodomestici di cottura - Parte 2-1 : Impiego razionale dell'energia - Informazioni generali

10.2 Risparmio energetico

- Prima dell'uso, assicurarsi che i bruciatori e i supporti pentole siano assemblati correttamente.
- Usare pentole con diametro adatto alle dimensioni dei bruciatori.
- Centrare la pentola sul bruciatore.
- Quando si riscalda l'acqua, utilizzare solo la quantità necessaria.
- Se possibile, coprire sempre le pentole con il coperchio.
- Quando il liquido inizia a bollire, abbassare la fiamma per provocare una lenta ebollizione del liquido.
- Se possibile, utilizzare una pentola a pressione. Fare riferimento al relativo manuale per l'utente.

11. CONSIDERAZIONI SULL'AMBIENTE

Riciclare i materiali con il simbolo . Buttare l'imballaggio negli appositi contenitori per il riciclaggio. Aiutare a proteggere l'ambiente e la salute umana e a riciclare rifiuti derivanti da apparecchiature elettriche ed elettroniche. Non smaltire le

apparecchiature che riportano il simbolo  insieme ai normali rifiuti domestici. Portare il prodotto al punto di riciclaggio più vicino o contattare il comune di residenza.

www.electrolux.com/shop



867356986-A-502020

