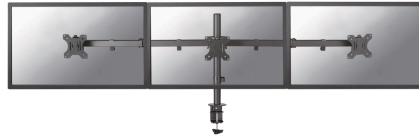


FPMA-D550D3BLACK NEOMOUNTS MONITOR ARM DESK MOUNT

SPECIFICATIONS

GENERAL

Min. screen size*	10 inch
Max. screen size*	27 inch
Min. weight	0 kg (per screen)
Max. weight	6 kg (per screen)
Screens	3
VESA minimum	75x75 mm
VESA maximum	100x100 mm
Desk mount	Grommet Clamp



Neomounts



Neomounts

FUNCTIONALITY

Type	Full motion Tilt Rotate Swivel
Height adjustment	0-44 cm
Depth adjustment	4-46 cm
Tilt (degrees)	90°
Swivel (degrees)	180°
Rotate (degrees)	360°
Adjustment type	Manual

Neomounts Tilt/Turn/Rotate Triple Monitor Arm Desk Mount (clamp) for three 10-27" Monitor Screens, Height Adjustable - Black

The Neomounts desk mount, model FPMA-D550D3BLACK is a tilt-, swivel and rotatable desk mount for 3 flat screens up to 27". This mount is a great choice for space saving placement on desks using a desk clamp or grommet mount.

Neomounts versatile tilt (+45°/-45°), rotate (360°) and swivel (180°) technology allows the mount to change to any viewing angle to fully benefit from the capabilities of the flat screen. The mount is manually height adjustable from 0 to 44 centimetres. An innovative cable management conceals and routes cables from mount to flat screen. Hide your cables to keep the workplace nice and tidy.

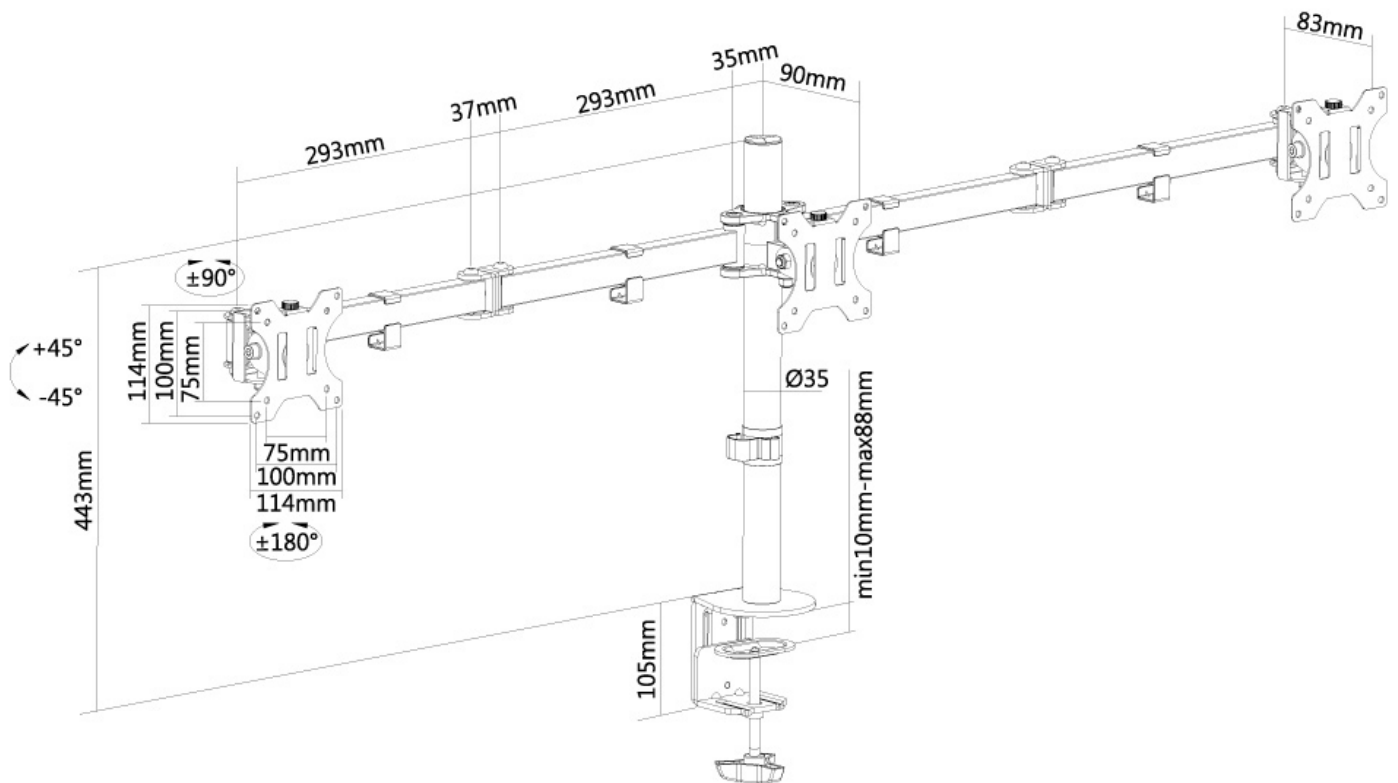
Neomounts FPMA-D550D3BLACK has four pivot points and is suitable for screens up to 27" (69 cm). The weight capacity of this product is 6 kg per screen. The desk mount is suitable for screens that meet VESA hole pattern 75x75 or 100x100mm. Different hole patterns can be covered using Neomounts VESA adapter plates.

By using an ergonomic mount neck- and back complaints can be avoided. Ideal for use in offices and on counters or in a reception area.

All installation material is included with the product.

*Please note: The inch sizes stated are just an indication, combined with the weight and VESA sizes. The maximum weight and VESA size are absolute restrictions for the products and should not be exceeded.

FPMA-D550D3BLACK NEOMOUNTS MONITOR ARM DESK MOUNT



Neomounts