

MED-M050

SPECIFICATIONS

GENERAL

Min. screen size*	10
Max. screen size*	18
Min. weight	0
Max. weight	8
Screens	1

FUNCTIE

Type	Swivel
Height adjustment	80-105 cm
Width adjustment	46 cm
Depth adjustment	41 cm
Swivel (degrees)	360°
Adjustment type	Gas spring

INFORMATION

Color	White
Main material	Aluminium
Warranty	5 year

*Please note: The inch sizes stated are just an indication, combined with the weight and VESA sizes. The maximum weight and VESA size are absolute restrictions for the products and should not be exceeded.

NEOMOUNTS MED-M050 MEDICAL MOBILE WORKSTATION 10-18" - GAS SPRING



Neomounts



Neomounts

Neomounts MED-M050 Medical mobile workstation - 10-18" - max 8 kg - gas spring - white

The Neomounts medical laptop cart, model MED-M050 is a mobile workplace for laptop. This laptop cart is a great choice for space saving placement or when wall-, ceiling mounting or desk placement is not an option. This cart stretches your investment by sharing a workplace over multiple rooms like hospitals. Get optimal positioning for both standing and seated users, in any part of your location.

Neomounts' laptop cart increases the use of computing in numerous environments like hospitals, offices, schools, workshops and so on. By using an ergonomic cart neck- and back complaints can be avoided. The cart is easily height adjustable from 80 to 105 centimetres. An innovative cable management conceals and routes cables. Hide your cables to keep the workplace nice, tidy and easy to clean.

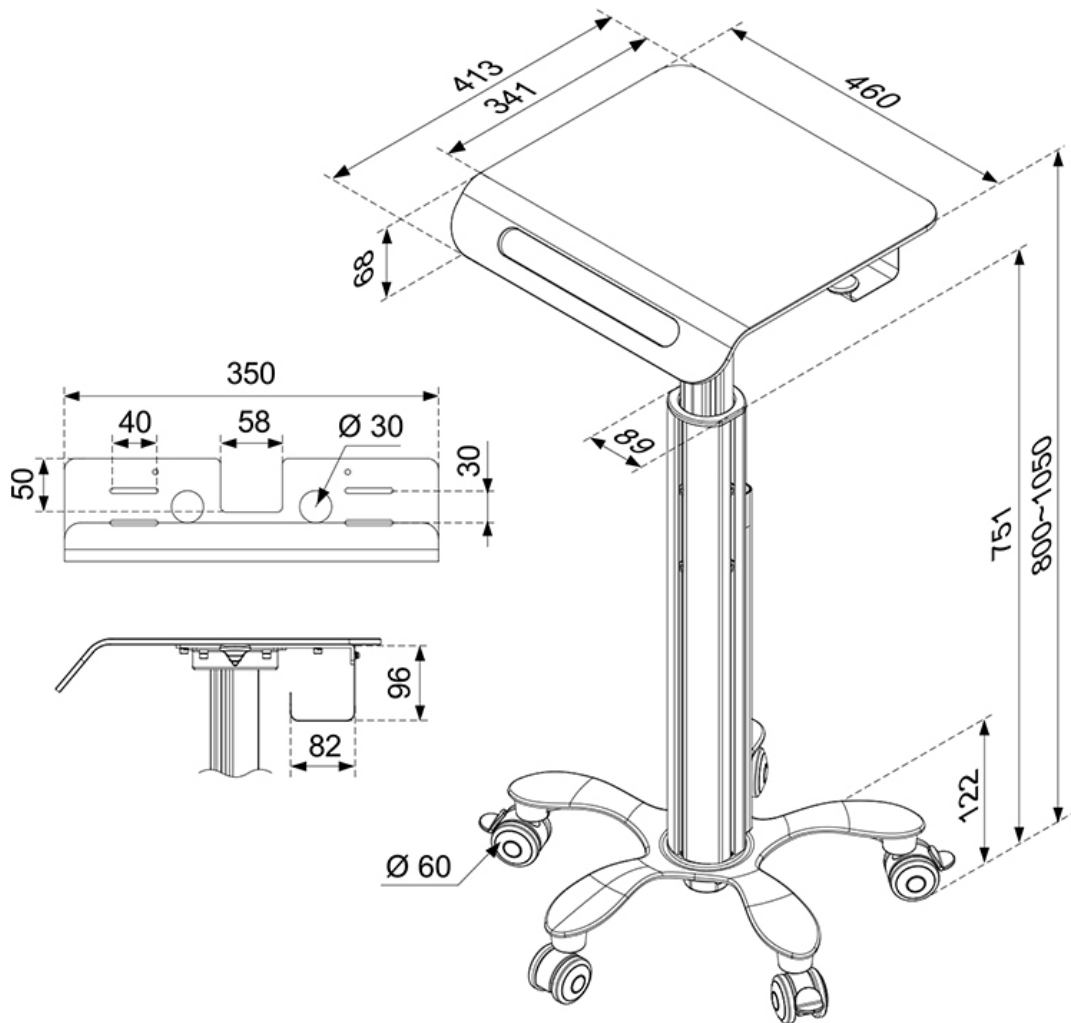
Neomounts' laptop cart, MED-M050 holds your laptop and even hides your cables. The heavy duty casters allow the stand to move it to where you need it. Easily roll this cart through doorways and over thresholds.

Neomounts MED-M050 is suitable for laptops up to 18" (44 cm). The total weight capacity of this cart is 8 kilogram. Speedy assembly and installation.

All installation material is included with the product.

MED-M050

NEOMOUNTS MED-M050 MEDICAL MOBILE WORKSTATION 10-18" - GAS SPRING



Neomounts

Measuring unit: mm