



**24" LED backlit LCD Screen featuring IPS technology**

ProLite X2485WS features an IPS Technology LED panel offering accurate and consistent colour reproduction with wide viewing angles and fast response time. The ProLite X2485WS is a 16:10 monitor with 1920 x 1200 native screen resolution. An array of inputs including Display Port, DVI and VGA connections ensure compatibility across a range of devices including games consoles and work stations. It also has two integrated stereo speakers and is VESA mount compatible.



**IPS Technology**

IPS technology offers higher contrast, darker blacks and much better viewing angles than standard TN technology. The screen will look good no matter from what angle you look at it.



**Blue light reducer**

As we all know looking at a monitor screen for several hours per day, especially from a closer distance, causes eye fatigue. This effect is much stronger with computer screens than with TV equipment. One of the factors responsible for this phenomenon is the blue light emitted by the screen. Therefore reducing the amount of blue light ultimately allows our eyes to feel less tired while working long hours with a computer screen. We achieved it by adjusting the monitor's brightness and color temperature through a new feature called "Blue light reduction" easily accessible through the monitor's OSD menu.

## 01 DISPLAY CHARACTERISTICS

Diagonal	24.1", 61.13cm
Panel	IPS Technology LED, matte finish
Native resolution	1920 x 1200 ( 2.3 megapixel)
Aspect ratio	16:10
Brightness	250 cd/m <sup>2</sup> typical
Static contrast	1000:1 typical
Advanced contrast	5M:1
Response time	4ms
Viewing zone	horizontal/vertical: 178°/178°, right/left: 89°/89°, up/down: 89°/89°
Colour support	16.7mIn 8bit (6bit + Hi-FRC)
Horizontal Sync	30 - 94KHz
Vertical Sync	50 - 75Hz
Viewable area W x H	518.4 x 324mm, 20.4 x 12.8"
Pixel pitch	0.27mm
Colour	matte, black

## 02 INTERFACES / CONNECTORS / CONTROLS

Signal input	VGA x1 DVI x1 DisplayPort x1 (v.1.2)
HDCP	yes
Headphone connector	yes

## 03 FEATURES

Blue light reducer	yes
OSD languages	EN, DE, FR, ES, IT, CN, RU, NL, JP
Control buttons	Power, Menu, +/- Volume, -/ ECO, Auto
User controls	picture (brightness, contrast, H.position, V.position, phase, clock, colour temp., auto adjust), OSD (H.position, V.position, OSD timeout, transparency), display (display mode, i-style Colour, ACR, X-Res technology, sharpness, OD, gamma, blue light reducer), audio (volume, mute, audio input), miscellaneous (language, input select, opening logo, after AC cut, ECO, reset), information
Speakers	2 x 1.5W
Convenience	Kensington-lock™ prepared, DDC2B, Mac OSX

## 04 MECHANICAL

Display position adjustments	tilt
Tilt angle	22° up; 5° down
VESA mounting	100 x 100mm

## 05 ACCESSORIES INCLUDED

Cables	power, DVI, Audio, DP
Other	quick start guide, safety guide

## 06 POWER MANAGEMENT

Power supply unit	internal
Power supply	AC 100 - 240V, 50/60Hz
Power usage	24W typical, 0.5W stand by

## 07 SUSTAINABILITY

Regulations CE, VCCI-B, CU, TÜV-GS, TCO, Energy Star

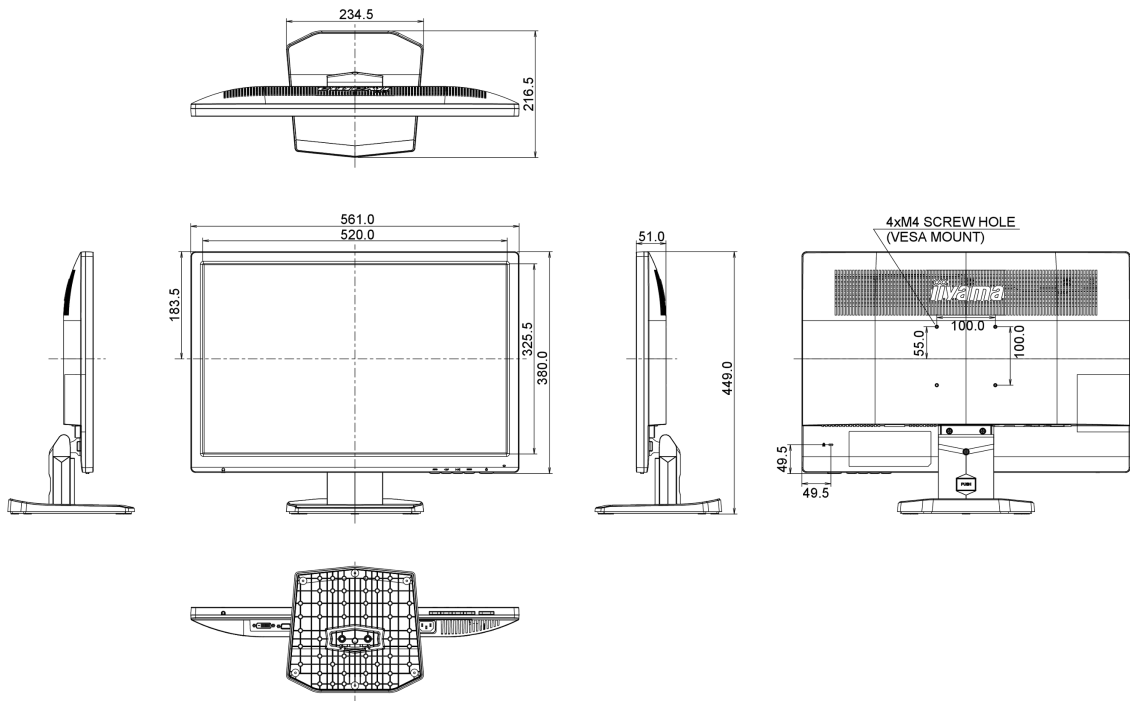
EPEAT Silver

EPEAT is a comprehensive environmental rating that helps identify greener computers and other electronic equipment. The Silver certification means the monitor meets all required criteria plus at least 50% of the optional requirements. EPEAT Silver is valid in countries where iiyama registers the product. Please visit [www.epeat.net](http://www.epeat.net) for the registration status in your country.

## 08 DIMENSIONS / WEIGHT

Product dimensions W x H x D 561 x 449 x 216.5mm

Weight (without box) 4.8kg



All trademarks and registered trademarks acknowledged. E & O E. Specification subject to change without notice. All LCD's comply with ISO-9241-307:2008 in connection with pixel defects.

© IIYAMA CORPORATION. ALL RIGHTS RESERVED