

Comprehensive Hospitality Solution with Pro:Centric

LU341H

Now, you can manage your hotel more easily and efficiently with Pro:Centric V series TV models. All guest-room TVs can be configured and/or updated via a centralized management system, and Quick Menu embedded in the TVs provides simpler but essential menus without the need of a server. With this cost-efficient Pro:Centric V series, save cost and workforce while helping guests have a more comfortable and convenient experience in their hotel room.



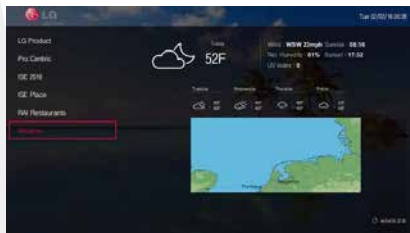
Comprehensive Hospitality Solution with Pro:Centric LU341H

Pro:Centric V Hotel Management Solution

Pro:Centric V provides comprehensive solutions in RF infrastructure. Through the Pro:Centric Server and App, hoteliers are able to customize their settings and deliver information on hotel facilities and wake-up call services, weather forecasts and other messages to guests, all while reinforcing the hotel's brand image.

Multi Languages

39 languages including Hebrew, Arabic and Farsi, and language alignment are supported, making your guests' stay a more comfortable one.



Right Alignment (Hebrew, Arabic, Farsi)



Left Alignment (36 languages)

Basic & Easy Templates

Pro:Centric Application (PCA) provides one Basic & Easy Template, making a total of three templates, that customers can select according to their preference.



Welcome image of PCA

Customizable Template & Page

Choose an alternative look & feel template based on your preference, and edit multiple sections with 40 pages of billboards by yourself with the web based tool. (Max 15pages / section Available)



Multi Channel Spooling

Operation of up to 8 hotel channels (22 sub-channels) can offer various information and added services.

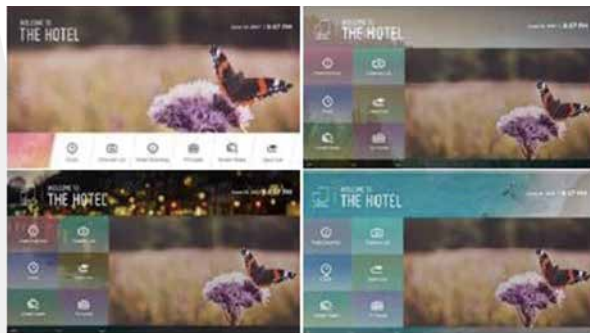


Comprehensive Hospitality Solution with Pro:Centric LU341H

Value Added Features

New Quick Menu (2.0)

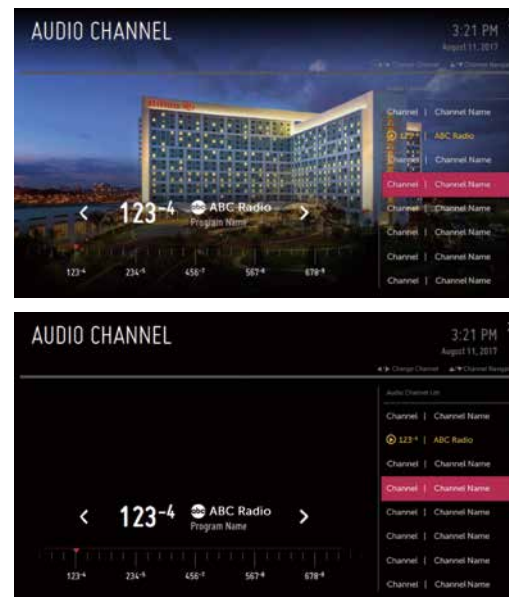
You can enjoy LG's simple home menu solution. It provides editable welcome message, date/time and other frequently used menus in the form of bar. These can be all set with a remote control or USB, and guests are able to easily access the menus they want improving satisfaction of their stay.



4 Templates

Audio Ch

It is an app grouping audio/radio channels in order to control tunes (not ch. Zapping) and to provide better sound experience.



External Speaker Out

Enhance the entertainment experience by adding an additional speaker. Guests listen to and control the TV audio from anywhere in the business areas, including restrooms.



Comprehensive Hospitality Solution with Pro:Centric LU341H

Hospitality Features

EzManager

EzManager provides convenient installation function that helps to set up Pro:Centric TV settings automatically without extra effort of configuration. Auto-installation requires 1~3 minutes while manual installation requires 3~5 minutes.



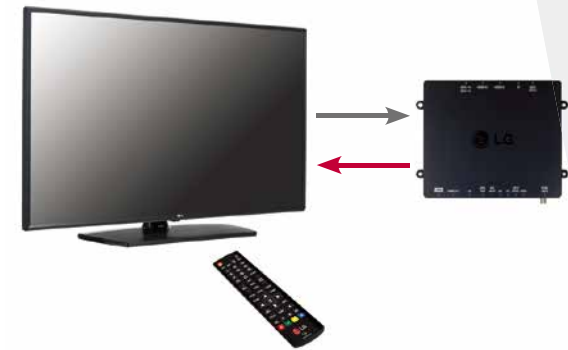
RJP Compatibility

The product allows guests to connect their portable devices such as laptop to TV inside hotel room and to enjoy various content.



IR Out

Using the interactive set-top-box, all LG TVs can be controlled with a single remote.



Comprehensive Hospitality Solution with Pro:Centric LU341H

Hospitality Features

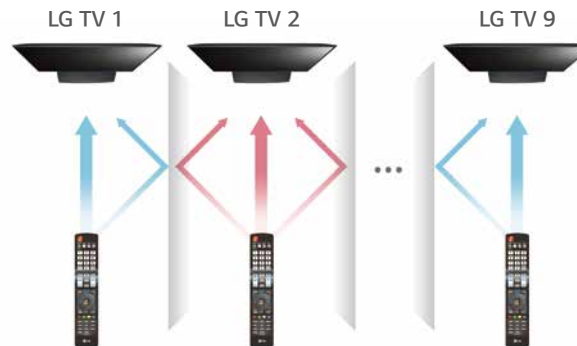
Commercial Swivel Stand

Expand the range of comfort for the guests with a commercial grade stand by allowing them to watch a TV from any angle.



Multi IR

Multi IR function eliminates the remote control signal interference between TVs in multiple dwelling beds. This system will work using the same LG TV model.



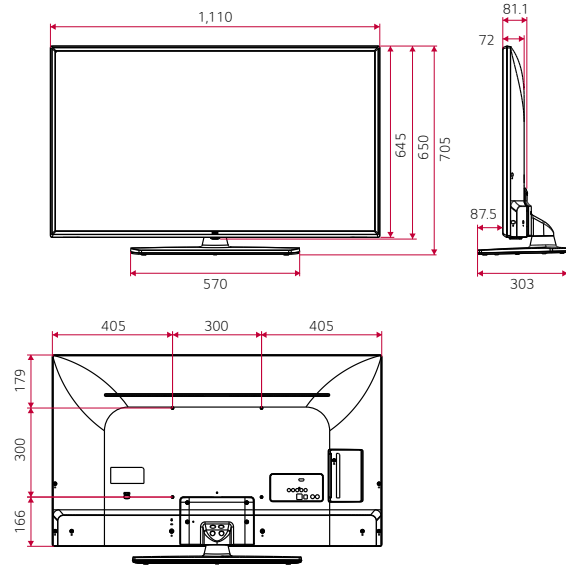
Welcome Video/Screen

With the capability to display repeatedly various video formats as well as images, Commercial Lite TVs allow for a greater variation of greeting messages in hotel rooms which make customers feel more welcome and cared for.

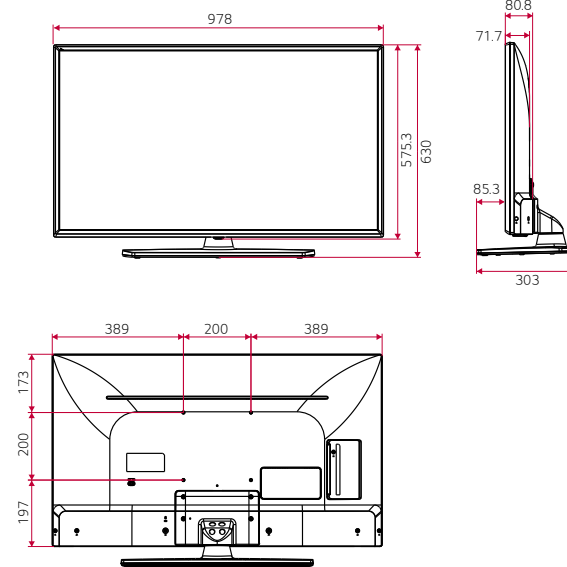


Dimensions

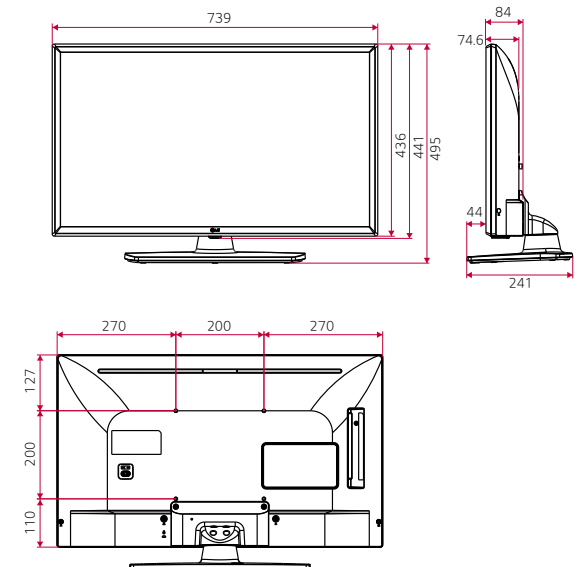
49"



43"

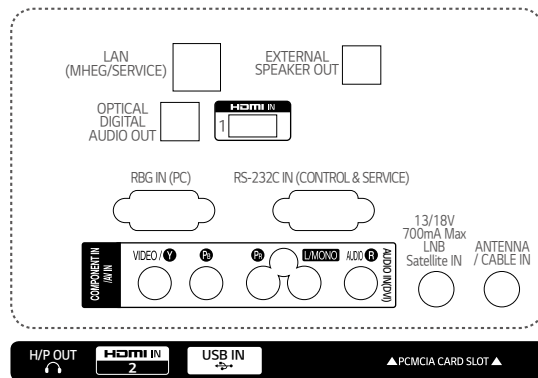


32"

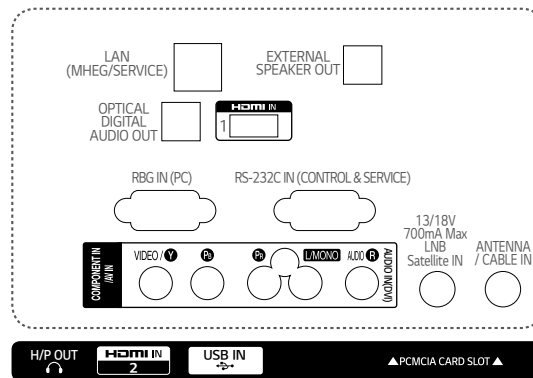


Connectivity

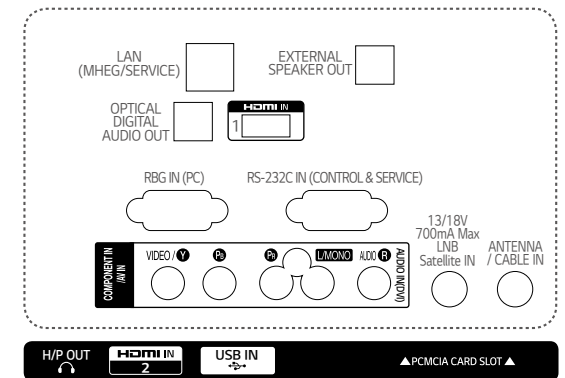
49"



43"



32"



* Dimensions & Jack Panels (Read/Side) may differ from the above image, so please reach LG salesteam to ensure before order.

Specifications

	49LU341H	43LU341H	32LU341H	
DISPLAY	Inch	49"	43"	32"
	Backlight Type	LED (Direct)	LED (Direct)	LED (Direct)
	Resolution	1,920 x 1,080 (FHD)	1,920 x 1,080 (FHD)	1,366 x 768 (HD)
	Brightness (cd/m ²)	400	400	240
	Dynamic Contrast Ratio (Dynamic MCI (Hz))	1,000,000:1	1,000,000:1	1,000,000:1
	Static (Panel) Contrast Ratio	1,100:1	1,200:1	1,200:1
	Viewing Angle Degree	178 x 178	178 x 178	178 x 178
	Response Time (G to G, ms)	9	9	9
BROADCASTING SYSTEM	Analog	• (PAL/SECAM)	• (PAL/SECAM)	• (PAL/SECAM)
	Digital	DVB-T2/C/S2	DVB-T2/C/S2	DVB-T2/C/S2
VIDEO	XD Engine	•	•	•
	Aspect Ratio	• 6 modes (16:9, Original, Full wide, 4:3, Vertical Zoom, All-Direction Zoom)	• 6 modes (16:9, Original, Full wide, 4:3, Vertical Zoom, All-Direction Zoom)	• 6 modes (16:9, Original, Full wide, 4:3, Vertical Zoom, All-Direction Zoom)
AUDIO	Audio Output	10 W + 10 W	10 W + 10 W	5 W + 5 W
	Speaker System	2.0 ch	2.0 ch	2.0 ch
	Sound Mode	• 6 modes (Standard, Cinema, Clear Voice, Sports, Music, Game)	• 6 modes (Standard, Cinema, Clear Voice, Sports, Music, Game)	• 6 modes (Standard, Cinema, Clear Voice, Sports, Music, Game)
	Clear Voice	• (Clear Voice)	• (Clear Voice)	• (Clear Voice)
HOSPITALITY SOLUTION	Solution Type	Pro:Centric V, Quick Menu 2.0	Pro:Centric V, Quick Menu 2.0	Pro:Centric V, Quick Menu 2.0
	Data Streaming (IP & RF)	• (RF Only)	• (RF Only)	• (RF Only)
	RF	• (1 Tuner)	• (1 Tuner)	• (1 Tuner)
	HCAP (SDK)	GEM / Flash	GEM / Flash	GEM / Flash
	Pro:Centric Application	PCA 3.8	PCA 3.8	PCA 3.8
HOSPITALITY FEATURES	Hotel Mode, Lock Mode (Limited), Welcome Video / Screen, Insert Image, One Channel Map, External Speaker Out, RJP Interface, RJP Compatibility, USB Auto playback, Auto Off / Sleep Timer, Smart Energy Saving, Motion Eye Care, Time Scheduler			
JACK INTERFACE	Set Side	HDMI In, USB 2.0, CI Slot, Headphone Out	HDMI In, USB 2.0, CI Slot, Headphone Out	HDMI In, USB 2.0, CI Slot, Headphone Out
	Set Rear	RF In (2), AV In, Component In (RCA5 Type), Digital Audio Out (Optical), HDMI / HDCP Input, RGB In, PC Audio Input, RS-232C (Control & Service), RJ45, External Speaker Out	RF In (2), AV In, Component In (RCA5 Type), Digital Audio Out (Optical), HDMI / HDCP Input, RGB In, PC Audio Input, RS-232C (Control & Service), RJ45, External Speaker Out	RF In (2), AV In, Component In (RCA5 Type), Digital Audio Out (Optical), HDMI / HDCP Input, RGB In, PC Audio Input, RS-232C (Control & Service), RJ45, External Speaker Out
DIMENSION (UNIT : MM)	Vesa	300 x 300	200 x 200	200 x 200
	W x H x D / Weight (with stand)	1,110 x 705 x 303 / 14.5kg	977 x 630 x 80.8 / 11.2kg	739 x 495 x 241 / 6.05kg
	W x H x D / Weight (without stand)	1,110 x 650 x 81.1 / 11.3kg	977 x 575 x 80.8 / 8.0kg	739 x 441 x 84 / 4.85kg
	W x H x D / Weight (Packing)	1,296 x 770 x 171 / 17.2kg	1,147 x 660 x 175 / 13.9kg	905 x 530 x 162 / 7.35kg
POWER (UNIT : WATTS)	Voltage, Hz	100 - 240V, 50/60Hz	100 - 240V, 50/60Hz	100 - 240V, 50/60Hz
	Max	110	97	60
	Typical	68	59	36
	Energy Saving (Min/Med/Max)	50.6 / 35.1 / 18.0	44.8 / 32.1 / 17.9	28 / 20.8 / 12.9
	Stand-by	0.5W↓	0.5W↓	0.5W↓

* Specifications are subject to change without notice, so please reach LG salesteam to ensure before order.

Download LG Commercial Display Mobile App



Apple App Store



Google Play Store

- www.lg.com/b2b
- [youtube.com/c/LGCommercialDisplay](https://www.youtube.com/c/LGCommercialDisplay)
- <https://www.facebook.com/LGInformationDisplay/>
- <https://www.linkedin.com/company-beta/16235211/>

LG may make changes to specifications and product descriptions without notice.
Copyright © 2018 LG Electronics Inc. All rights reserved. "LG Life's Good" is a registered trademark of LG Corp.
The names of products and brands mentioned here may be the trademarks of their respective owners.

