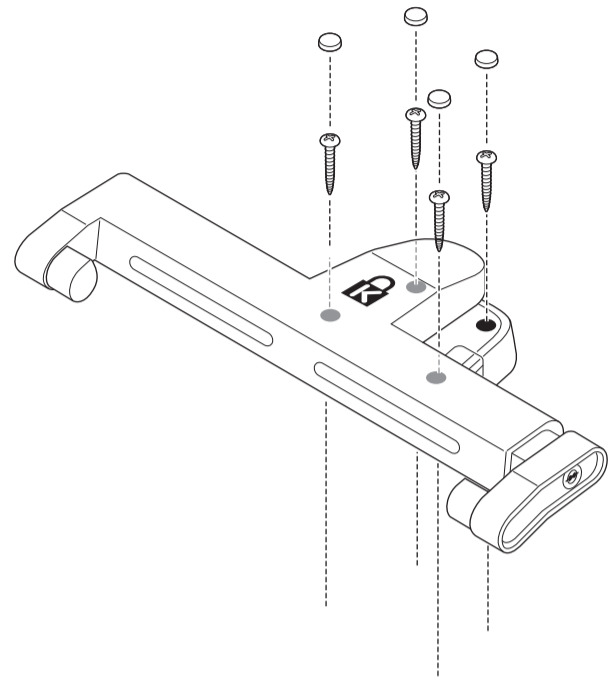
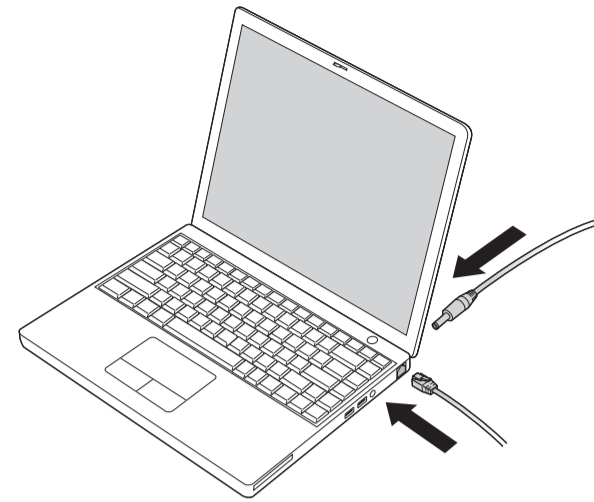


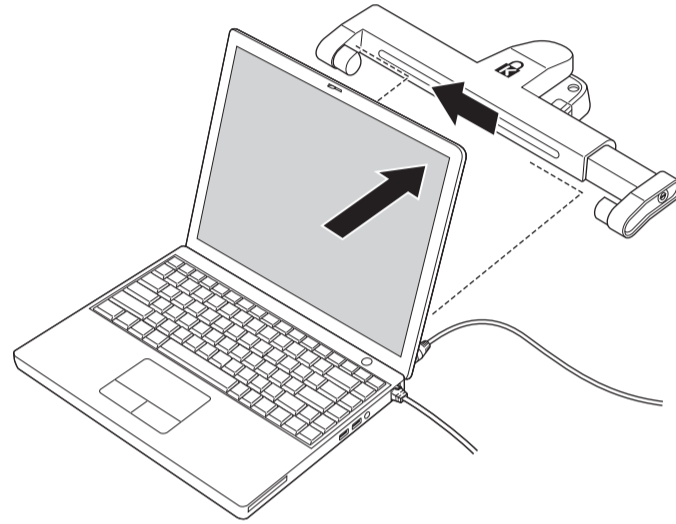
Kensington recommended mounting method / Méthode de montage recommandée par Kensington / Von Kensington empfohlene Befestigungsmethode / Door Kensington aanbevolen bevestigingsmethode / Metodo di installazione consigliato da Kensington / Método de montaje recomendado por Kensington / A Kensington által ajánlott felszerelési módszer / Metoda upevnění, doporučená společností Kensington / Metoda montażu zalecana przez firmę Kensington / Метод крепления, рекомендованный компанией Kensington / Método de montagem recomendado pela Kensington



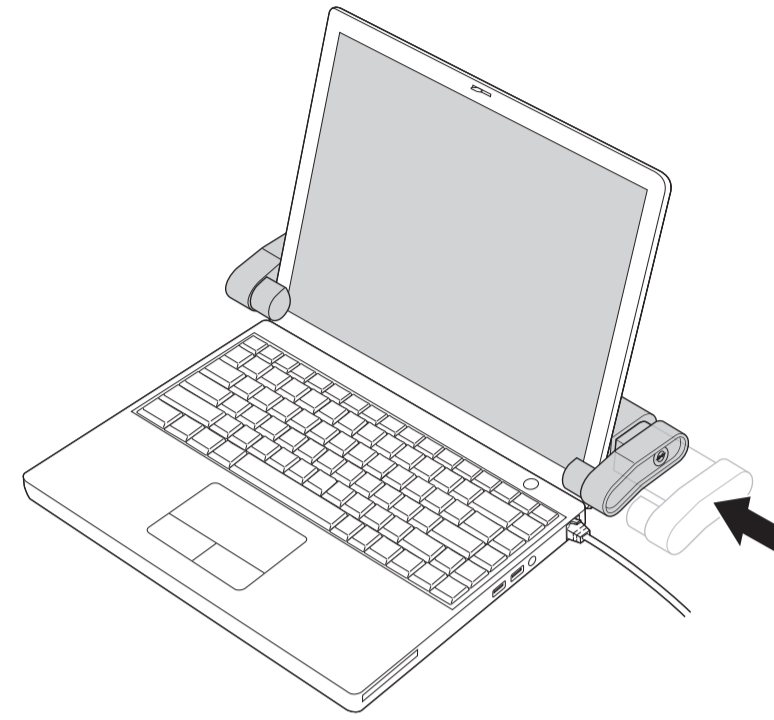
1 Locking / Verrouillage / Abschließen / Vergrendelen / Blocco / Bloqueo / Zárás / Uzamknuti / Blokowanie / Блокировка / Bloqueio



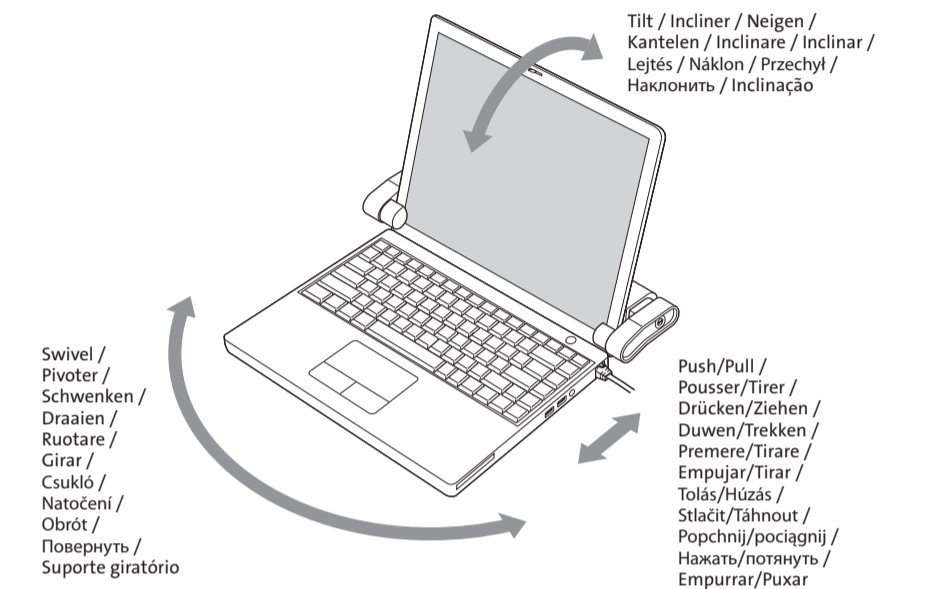
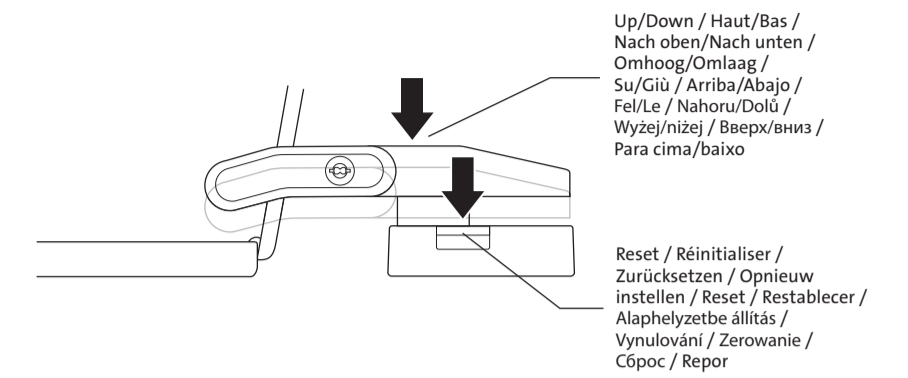
2



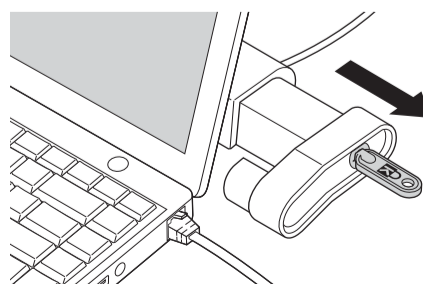
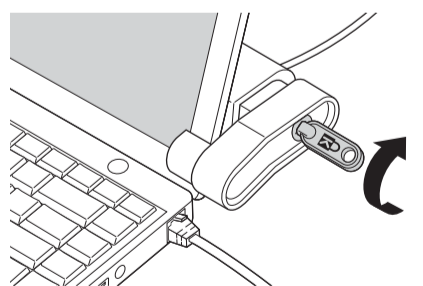
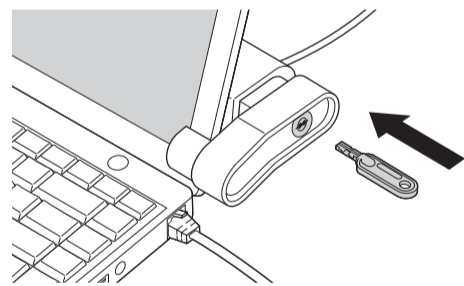
3



Adjustments / Ajustement / Anpassungen / Aanpassingen / Regolazioni / Ajustes / Beállítások / Přizpůsobení / Regulacja / Регулировка / Ajustes



Unlocking / Déverrouillage / Entsperren / Ontgrendelen / Sblocco / Desbloqueo / Nyitás / Odemknuti / Odblokowywanie / Снятие блокировки / Desbloqueo



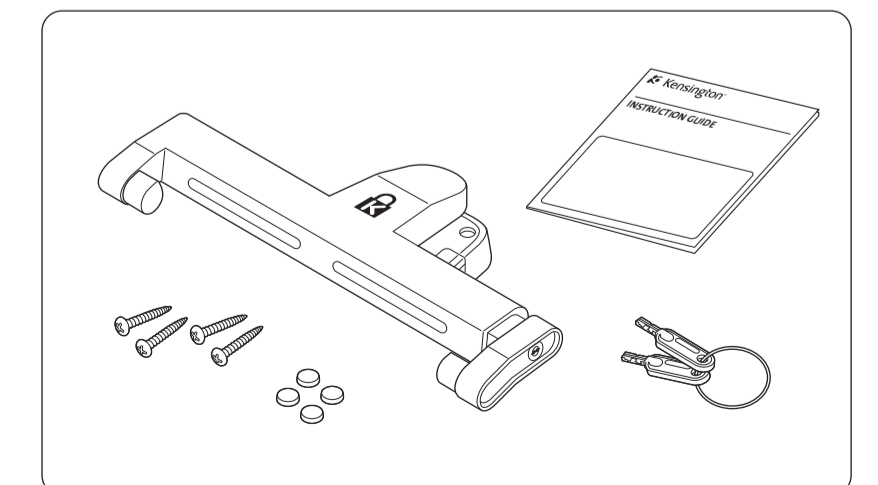
Kensington®

Laptop Locking Station

INSTRUCTION GUIDE
GUIDE D'INSTRUCTIONS
BEDIENUNGSANLEITUNG
HANDLEIDING
MANUALE DI ISTRUZIONI
MANUAL DE INSTRUCCIONES

HASZNÁLATI ÚTMUTATÓ
PŘÍRUČKA S POKYNY
INSTRUKCJA OBSŁUGI
РУКОВОДСТВО ПОЛЬЗОВАТЕЛЯ
MANUAL DE INSTRUÇÕES

Contents / Contenu / Inhalt / Inhoud / Contenido / Tartalomjegyzék / Obsah / Zawartość opakowania / Содержание / Conteúdo



Kensington and the ACCO name and design are registered trademarks of ACCO Brands. The Kensington Promise is a service mark of ACCO Brands. All other registered and unregistered trademarks are the property of their respective owners. Patents pending.
©2010 Kensington Computer Products Group, a division of ACCO Brands. Any unauthorized copying, duplicating, or other reproduction of the contents hereof is prohibited without written consent from Kensington Computer Products Group. All rights reserved. 2/10

<p>TWO YEAR LIMITED WARRANTY The Kensington Promise™ 8 0 0 - 2 3 5 - 6 7 0 8</p>	<p>This product comes with a 2-year limited warranty & free technical support. www.kensington.com</p>		
	<p>Kensington Computer Products GroupA Division of ACCO Brands 333 Twin Dolphin Drive, 6th Floor Redwood Shores, CA 94065</p>		<p>ACCO Brands Europe Oxford House Oxford Road Aylesbury Bucks, HP21 8SZ United Kingdom</p>

Made in Taiwan
www.kensington.com
901-2402-00
KL