



CoreLine Surface-mounted

SM134V LED37S/830 W60L60 IA1 NOC

Coreline Surface - 830 warm white - Power supply unit regulating external

Whether for a new building or renovation of an existing space, customers want lighting solutions that provide quality of light and substantial energy and maintenance savings. The new CoreLine Surface-mounted range of LED products can be used to replace functional luminaires in general lighting applications. The process of selecting, installing and maintaining is so easy – it's a simple switch. ;InterAct Ready luminaires with integrated wireless communications in this family available, to be used with InterAct gateways, sensors and software.

Product data

General Information		Operating and Electrical	
Light source color	830 warm white	CE mark	CE mark
Light source replaceable	No	ENEC mark	ENEC mark
Number of gear units	1 unit	Warranty period	3 years + 2 years upon registration
Driver/power unit/transformer	Power supply unit regulating external	Constant light output	No
Driver included	Yes	Number of products on MCB of 16 A type B	24
Optic type	Wide beam	RoHS mark	RoHS mark
Luminaire light beam spread	93°	Product family code	SM134V [Coreline Surface]
Control interface	Internal (no external connection)	Unified glare rating CEN	19
Connection	Push-in connector and pull relief	Operating and Electrical	
Cable	-	Input Voltage	220-240 V
Protection class IEC	Safety class I	Input Frequency	50 to 60 Hz
Glow-wire test	Temperature 850 °C, duration 30 s	Inrush current	22 A
Flammability mark	For mounting on normally flammable surfaces	Inrush time	0.275 ms

CoreLine Surface-mounted

Power Factor (Min)	0.9
--------------------	-----

Controls and Dimming

Dimmable	Wireless Dim
----------	--------------

Mechanical and Housing

Housing Material	Steel
Reflector material	Polycarbonate
Optic material	Polycarbonate
Optical cover/lens material	Polycarbonate
Fixation material	-
Optical cover/lens finish	Textured
Overall length	597 mm
Overall width	597 mm
Overall height	47 mm

Approval and Application

Ingress protection code	IP20 [Finger-protected]
Mech. impact protection code	IK02 [0.2 J standard]

Initial Performance (IEC Compliant)

Initial luminous flux (system flux)	3700 lm
Luminous flux tolerance	+/-8%
Initial LED luminaire efficacy	104.5 lm/W

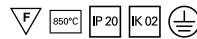
Init. Corr. Color Temperature	3000 K
Init. Color Rendering Index	≥80
Initial chromaticity	(0.43, 0.40) SDCM <3
Initial input power	35.4 W
Power consumption tolerance	+/-10%

Application Conditions

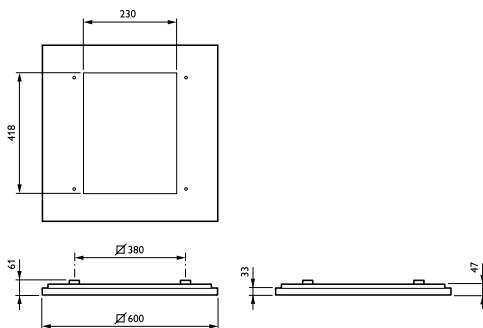
Ambient temperature range	+10 to +40 °C
Maximum dim level	1%
Suitable for random switching	Yes (relates to presence/ movement detection and daylight harvesting)

Product Data

Full product code	871869699668300
Order product name	SM134V LED37S/830 W60L60 IA1 NOC
EAN/UPC - Product	8718696996683
Order code	910925865189
Numerator - Quantity Per Pack	1
Numerator - Packs per outer box	1
Material Nr. (12NC)	910925865189
Net Weight (Piece)	4.000 kg



Dimensional drawing



CoreLine Surface-mounted SM134V

