



DEEBOT™ 600

Instruction Manual

說明書

说明手册

Manual Arahan

คู่มือแนะนำการใช้งาน

دليل التعليمات

EN	Instruction Manual	2
ZH-TW	說明書	24
ZH	说明手册	45
MS	Manual Arahan	66
TH	คู่มือแนะนำการใช้งาน	90
AR	دليل التعليمات	112

Congratulations on the purchase of your ECOVACS ROBOTICS DEEBOT! We hope it brings you many years of satisfaction. We trust the purchase of your new robot will help keep your home clean and provide you more quality time to do other things.

Live Smart. Enjoy Life.

Should you encounter situations that have not been properly addressed in this Instruction Manual, please contact our Customer Service Center where a technician can address your specific problem or question.

For more information, please visit the ECOVACS ROBOTICS official website: **www.ecovacs.com**

The Company reserves the right to make technological and/or design changes to this product for continuous improvement.

Thank you for choosing DEEBOT!

Contents

1. Important Safety Instructions.....	4
2. Package Contents	9
3. Operating and Programming.....	12
4. Maintenance.....	17
5. Indicator Light and Alarm Sounds.....	21
6. Troubleshooting	22
7. Technical Specifications.....	24

1. Important Safety Instructions

When using an electrical appliance, basic precautions should always be followed, including the following:

READ ALL INSTRUCTIONS BEFORE USING THIS APPLIANCE.

SAVE THESE INSTRUCTIONS

1. This Appliance can be used by children aged from 8 years and above and persons with reduced physical, sensory or mental capabilities or lack of experience and knowledge if they have been given supervision or instruction concerning use of the Appliance in a safe way and understand the hazards involved. Children shall not play with the Appliance. Cleaning and user maintenance shall not be made by children without supervision.
2. Clear the area to be cleaned. Remove power cords and small objects from the floor that could entangle the Appliance. Tuck rug fringe under the rug base, and lift items such as curtains and tablecloths off the floor.
3. If there is a drop off in the cleaning area due to a step or stairs, you should operate the Appliance to ensure that it can detect the step without falling over the edge. It may become necessary to place a physical barrier at the edge to keep the unit from falling. Make sure the physical barrier is not a trip hazard.
4. Only use as described in this manual. Only use attachments recommended or sold by the manufacturer.
5. Please make sure your power supply voltage matches the power voltage marked on the Charging Dock.
6. For INDOOR household use ONLY. Do not use the Appliance in outdoor, commercial or industrial environments.
7. Non-rechargeable batteries are prohibited. For battery information, please refer to Specifications section.
8. Do not use without dust bin and/or filters in place.

1. Important Safety Instructions

9. Do not operate the Appliance in an area where there are lit candles or fragile objects.
10. Do not use in extremely hot or cold environments (below $-5^{\circ}\text{C}/23^{\circ}\text{F}$ or above $40^{\circ}\text{C}/104^{\circ}\text{F}$).
11. Keep hair, loose clothing, fingers, and all parts of body away from any openings and moving parts.
12. Do not operate the Appliance in a room where an infant or child is sleeping.
13. Do not use Appliance on wet surfaces or surfaces with standing water.
14. Do not allow the Appliance to pick up large objects like stones, large pieces of paper or any item that may clog the Appliance.
15. Do not use Appliance to pick up flammable or combustible materials such as gasoline, printer or copier toner, or use in areas where they may be present.
16. Do not use Appliance to pick up anything that is burning or smoking, such as cigarettes, matches, hot ashes, or anything that could cause a fire.
17. Do not put objects into the suction intake. Do not use if the suction intake is blocked. Keep the intake clear of dust, lint, hair, or anything that may reduce air flow.
18. Take care not to damage the power cord. Do not pull on or carry the Appliance or Charging Dock by the power cord, use the power cord as a handle, close a door on the power cord, or pull power cord around sharp edges or corners. Do not run Appliance over the power cord. Keep power cord away from hot surfaces.
19. If the power cord is damaged, it must be replaced by the manufacturer or its service agent in order to avoid a hazard.
20. Do not use the Charging Dock if it is damaged.
21. Do not use with a damaged power cord or receptacle. Do not use the Appliance or Charging Dock if it is not working properly, has been dropped, damaged, left outdoors,

1. Important Safety Instructions

or come in contact with water. It must be repaired by the manufacturer or its service agent in order to avoid a hazard.

22. Turn OFF the power switch before cleaning or maintaining the Appliance.
23. The plug must be removed from the receptacle before cleaning or maintaining the Charging Dock.
24. Remove the Appliance from the Charging Dock, and turn OFF the power switch to the Appliance before removing the battery for disposal of the Appliance.
25. The battery must be removed and discarded according to local laws and regulations before disposal of the Appliance.
26. Please dispose of used batteries according to local laws and regulations.
27. Do not incinerate the Appliance even if it is severely damaged. The batteries can explode in a fire.
28. When not using the Charging Dock for a long period of time, please unplug it.

29. The Appliance must be used in accordance with the directions in this Instruction Manual. ECOVACS ROBOTICS cannot be held liable or responsible for any damages or injuries caused by improper use.

30. The robot contains batteries that are only replaceable by skilled persons. To replace or remove the battery, please contact Customer Service.

31. If the robot will not be used for a long time, fully charge the robot and power OFF for storage and unplug the Charging Dock.

32. WARNING: For the purposes of recharging the battery, only use the detachable supply unit YJS015F-1900600B (HK)/YJS015F-1900600T (TW)/YJS015F-1900600A (AU)/YJS015F-1900600TH (TH)/DK18-190060H-B (MY/SG) provided with this appliance.

33. The Remote Control pre-installs two non-rechargeable AAA batteries. To replace the battery of the Remote Control, please turn

1. Important Safety Instructions

over the Remote Control, press and remove its Battery Cover. Remove the batteries, and insert the new batteries with the correct polarity. Reassemble the Battery Cover.

34. Non-rechargeable batteries are not to be recharged.
35. Different types of batteries or new and used batteries are not to be mixed.
36. Batteries of the Remote Control are to be inserted with the correct polarity.
37. Exhausted batteries are to be removed from the Appliance and safely disposed of.
38. If the Remote Control is to be stored unused for a long period, the batteries should be removed.
39. The supply terminals are not to be short-circuited.

For EU Countries



Correct Disposal of this Product

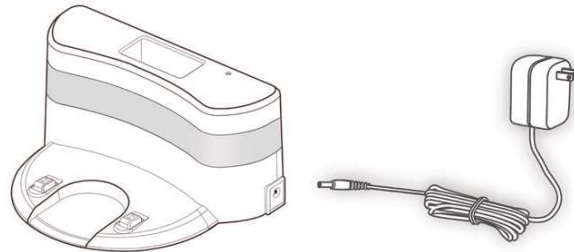
This marking indicates that this product should not be disposed of with other household waste throughout the EU. To prevent possible harm to the environment or human health from uncontrolled waste disposal, recycle it responsibly to promote the sustainable reuse of material resources. To recycle your used device, please use the return and collection systems or contact the retailer where the product was purchased. They can safely recycle this product.

2. Package Contents

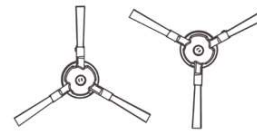
2.1 Package Contents



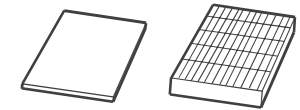
Robot



Charging Dock + Power Adapter



(4) Side Brushes



Sponge Filter and High Efficiency Filter



Remote Control with Batteries



Multi-Function Cleaning Tool



Instruction Manual



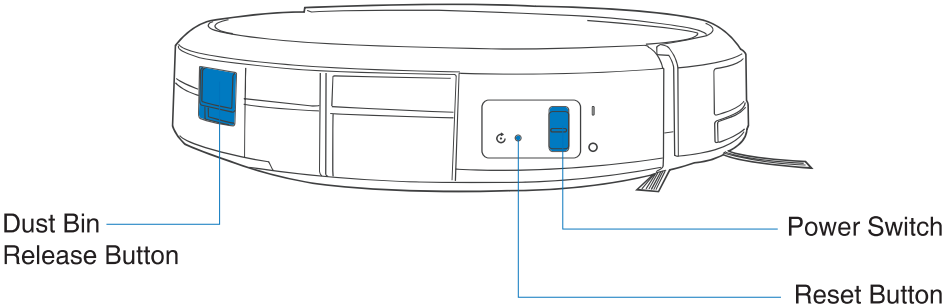
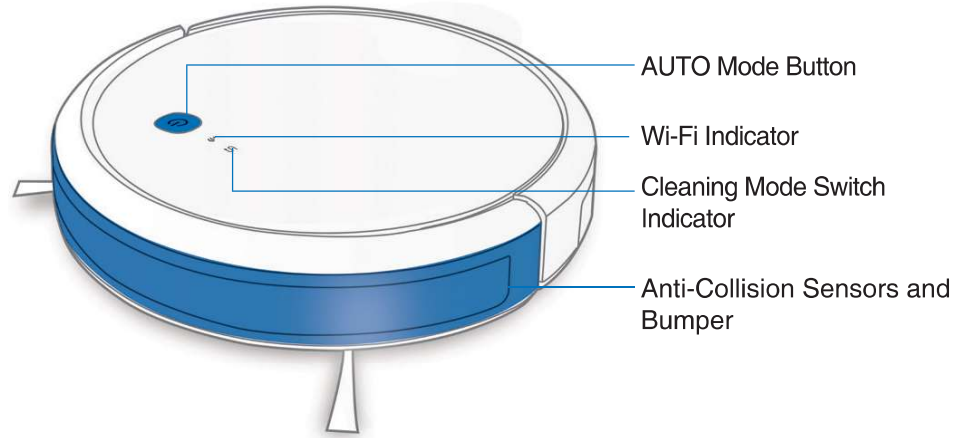
Quick Start Guide

Note: Figures and illustrations are for reference only and may differ from actual product appearance. Product design and specifications are subject to changes without notice.

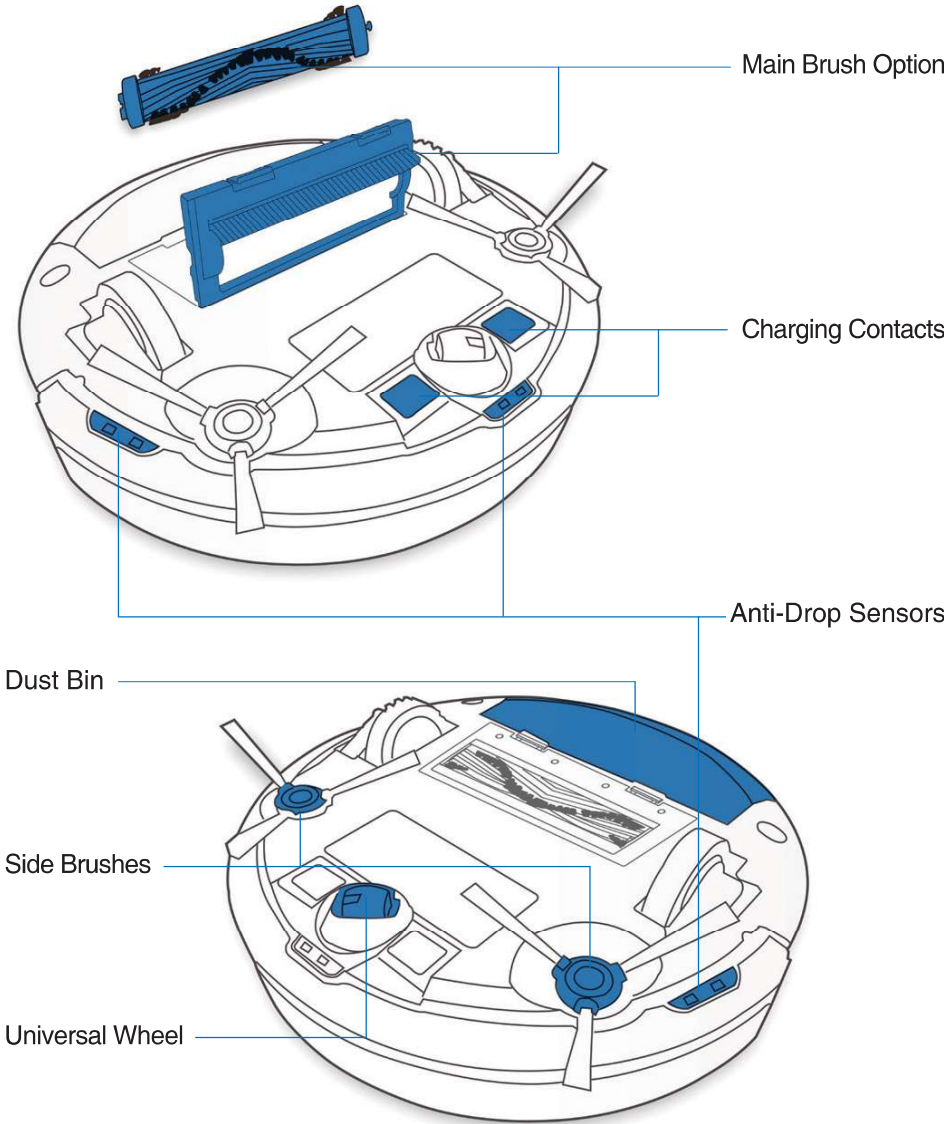
2. Package Contents

2.3 Product Diagram

Robot

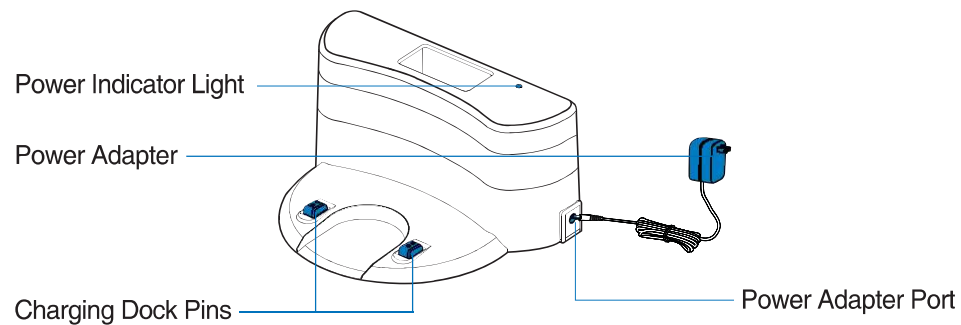


Bottom View

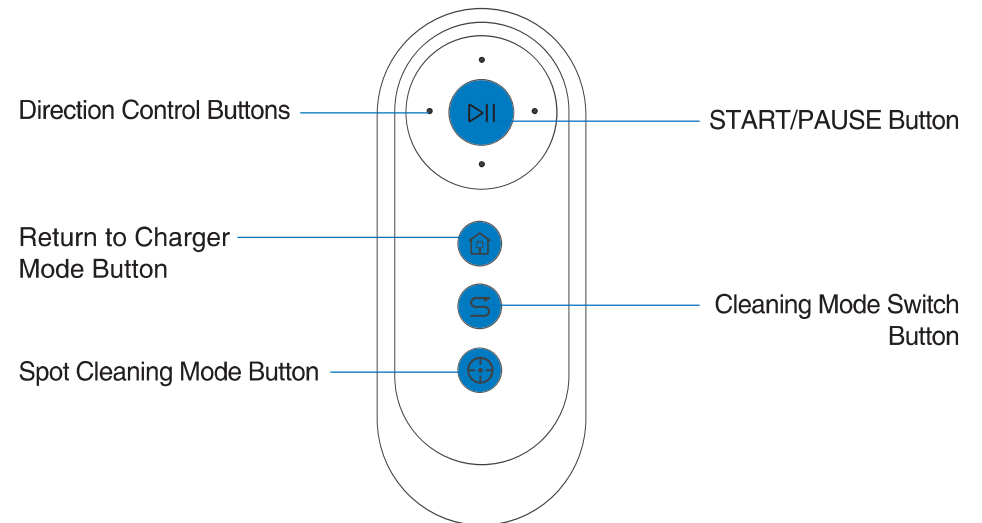


2. Package Contents

Charging Dock



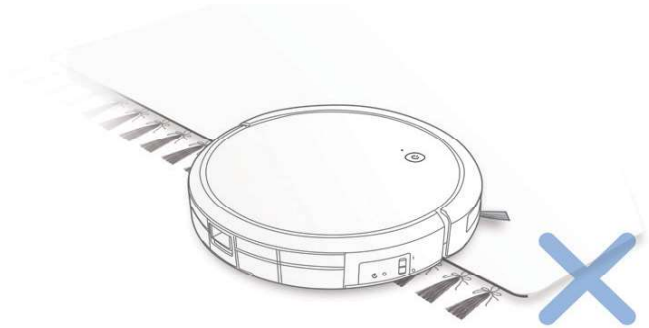
Remote Control



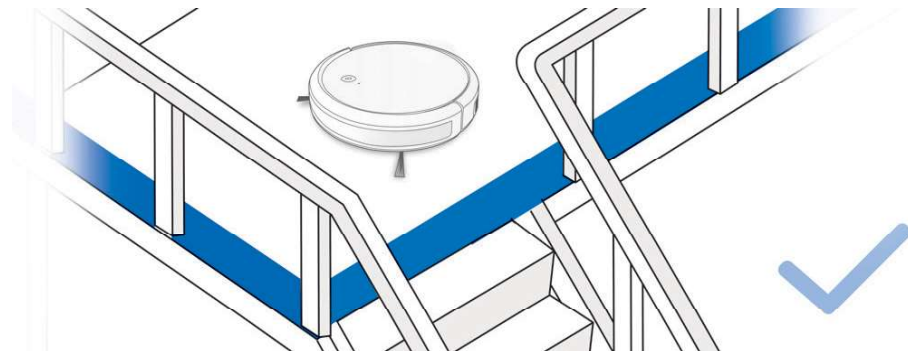
3. Operating and Programming

3.1 Notes Before Cleaning

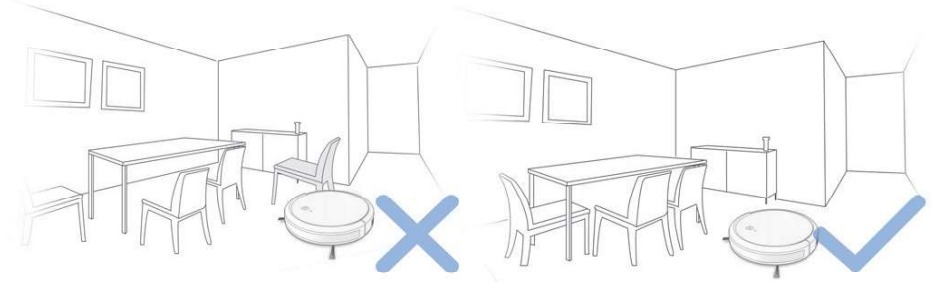
WARNING: Do not use DEEBOT on wet surfaces or surfaces with standing water.



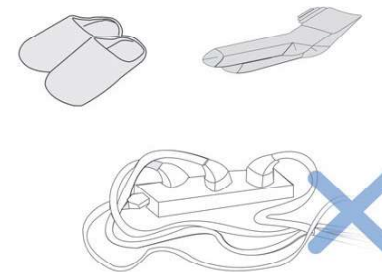
Before using the product on a rug with tasseled edges, please fold the rug edges under.



It may be necessary to place a physical barrier at the edge of a drop to stop the unit from falling over the edge.



Tidy up the area to be cleaned by putting furniture, such as chairs, in their proper place.

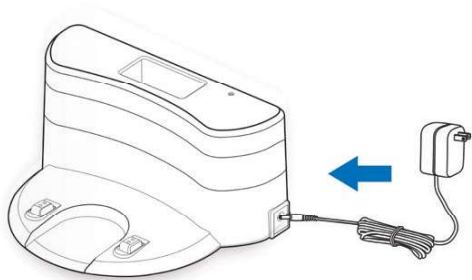


Remove power cords and small objects from the floor that the robot could be obstructed by.

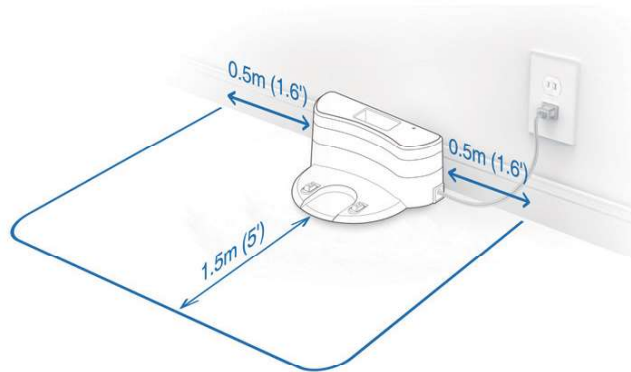
3. Operating and Programming

3.2 Preparation

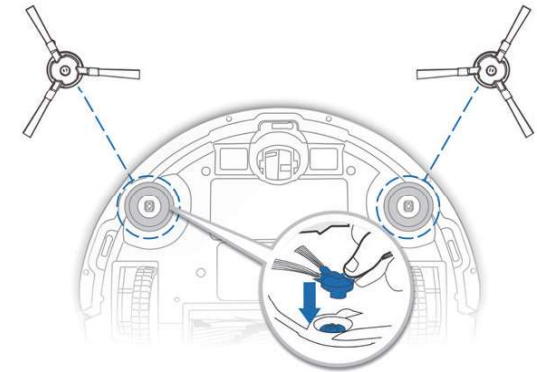
1 Plug in Adapter



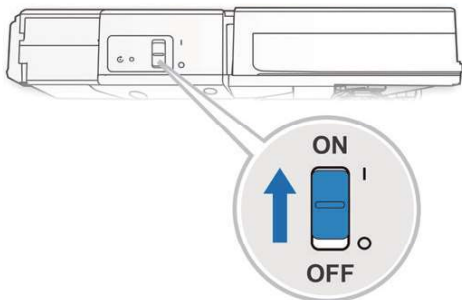
2 Charging Dock Placement



3 Install Side Brushes



4 Power ON



5 Charge DEEBOT



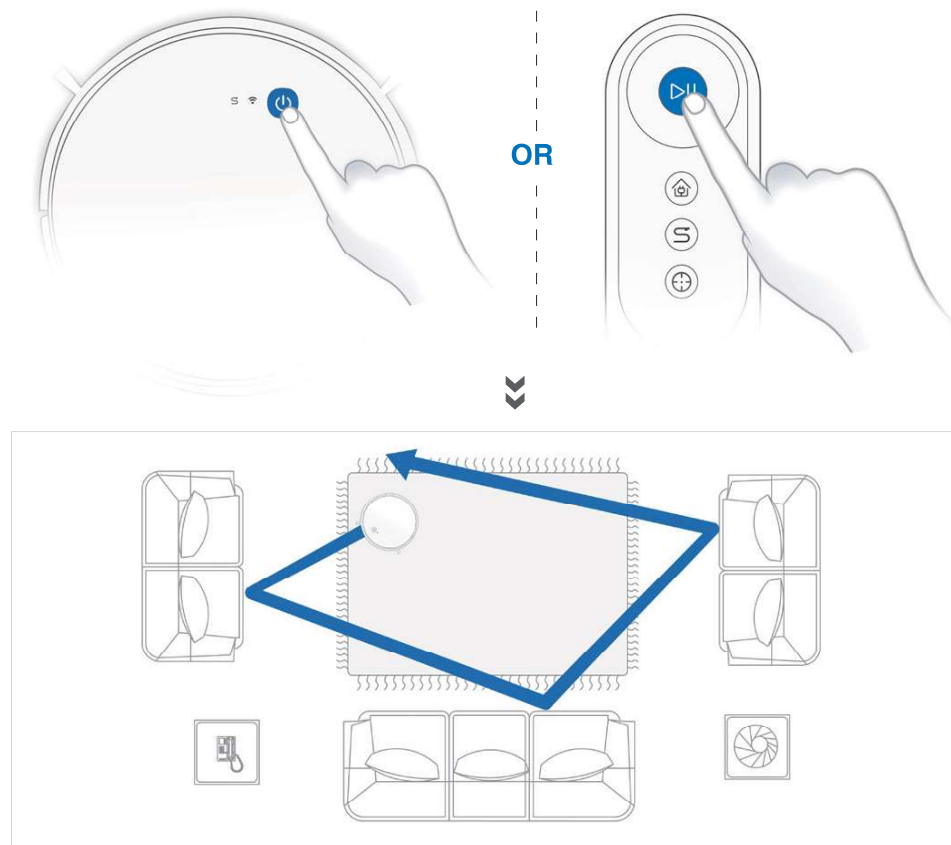
Note: When DEEBOT completes the cleaning cycle or when battery power gets low, DEEBOT automatically returns to the Charging Dock to recharge itself.

3. Operating and Programming

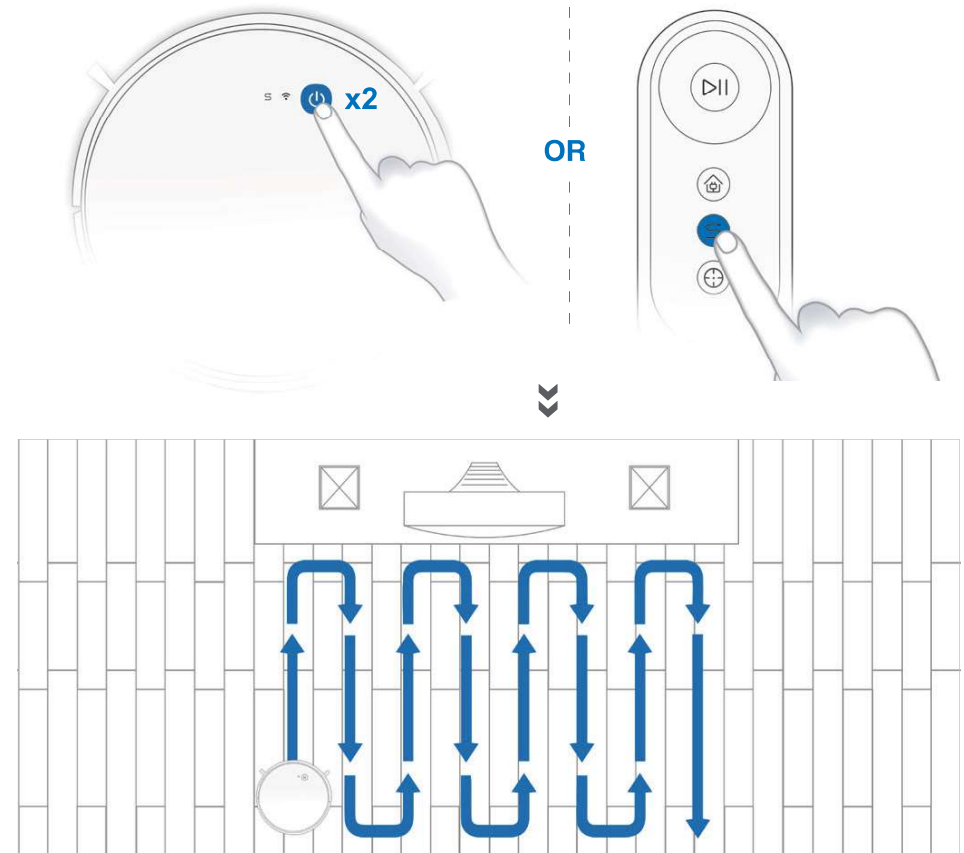
3.3 Selecting Cleaning Mode

1 AUTO Cleaning Mode

A **Random Cleaning Pattern** (optimized for carpets) will be selected by default.



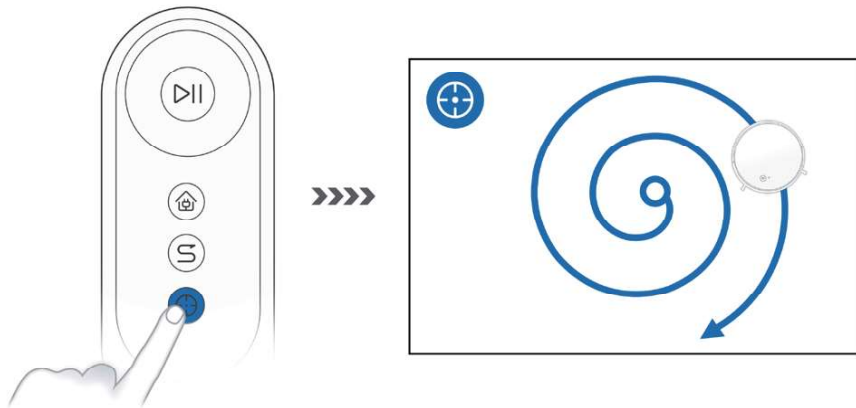
To switch to a **Programmed Cleaning Pattern** (optimized for hard floors) or switch between these two patterns, perform the following action:



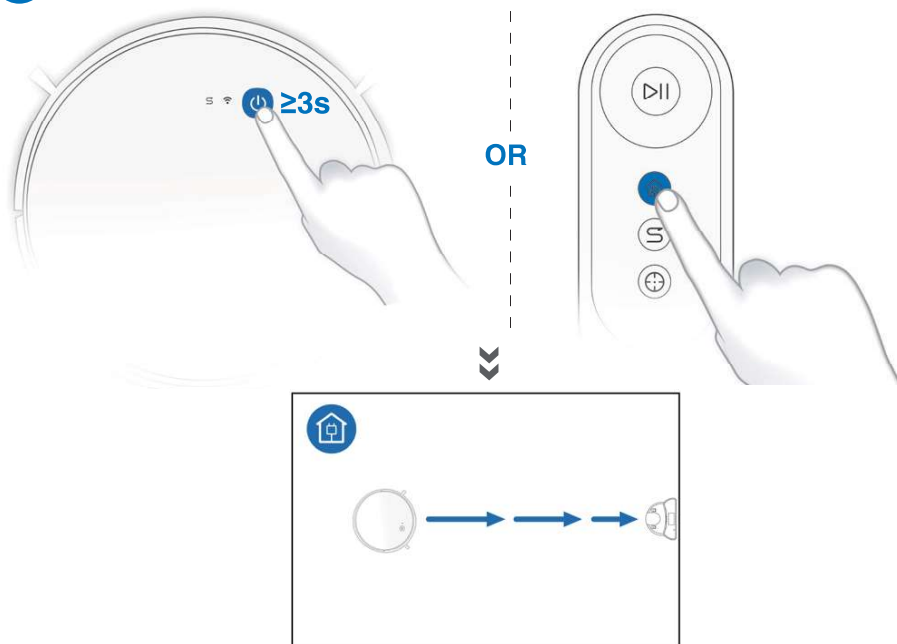
Note: Cleaning pattern cannot be switched until DEEBOT is paused or charging. DEEBOT will start a new cleaning cycle once cleaning pattern is switched. **S** will light up once Programmed Cleaning Pattern is enabled.

3. Operating and Programming

2 Spot Cleaning Mode (Less than 3 minutes)



3 Return to Charging Dock



All the functions mentioned above can be enabled on the App. Download ECOVACS App to access more features, including Edge Cleaning, Scheduled Cleaning, etc.



Q ECOVACS HOME



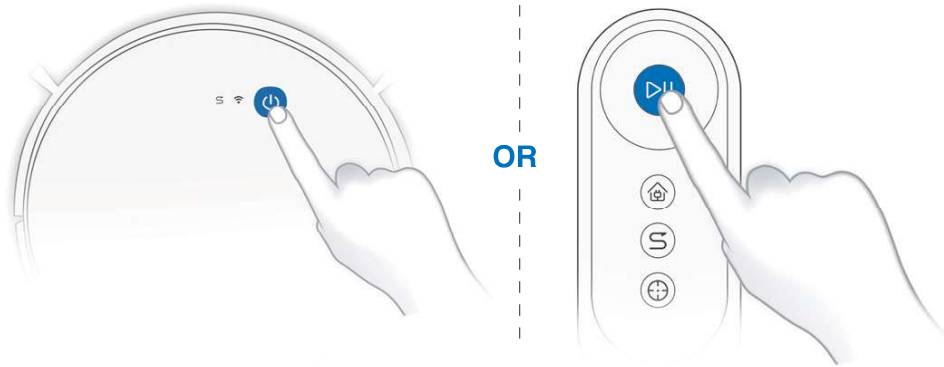
✓ iOS 9.0 or later

✓ Android 4.0 or later

3. Operating and Programming

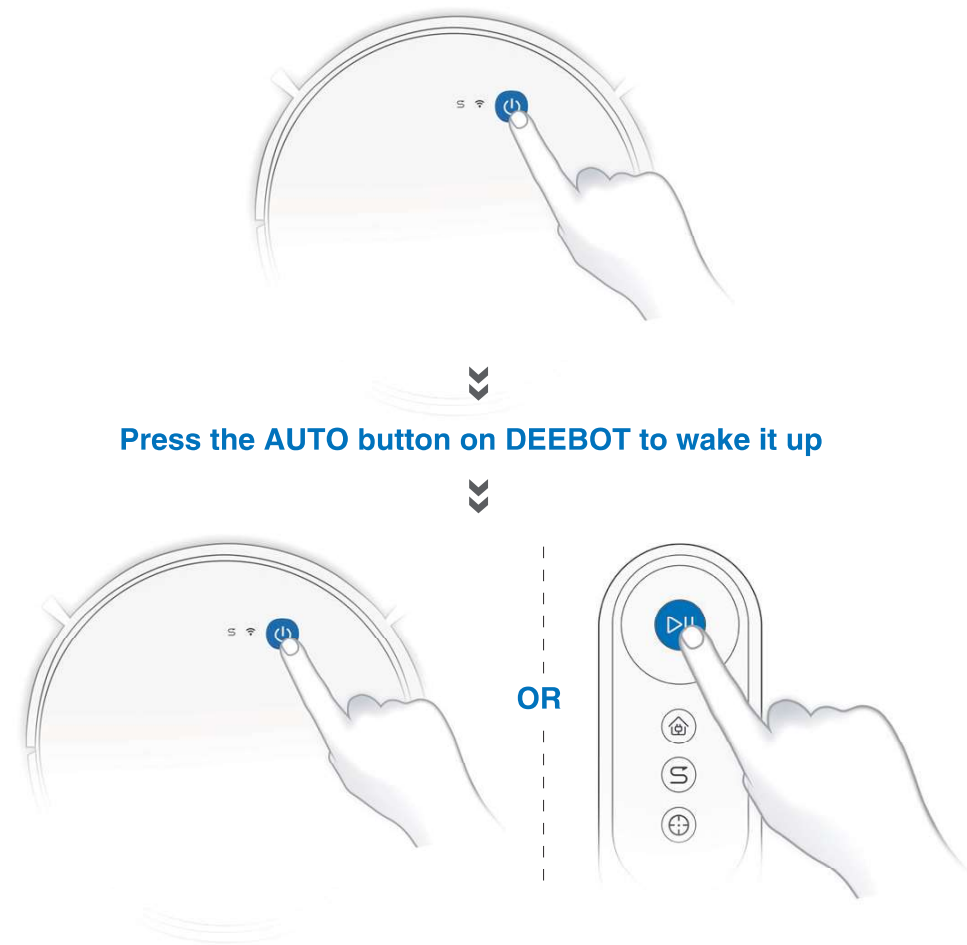
3.4 Pause, Wake Up, Power Off

1 Pause



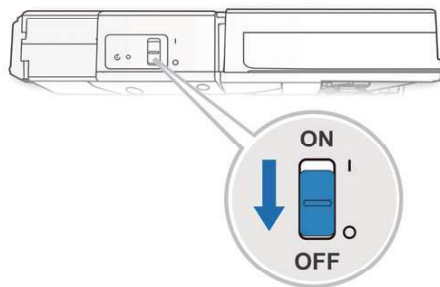
Note: The robot's Control Panel stops glowing after the robot is paused for a few minutes. Press the AUTO Mode Button on DEEBOT to wake up the robot.

2 Wake Up



Press the AUTO button on DEEBOT to wake it up

3 Power OFF



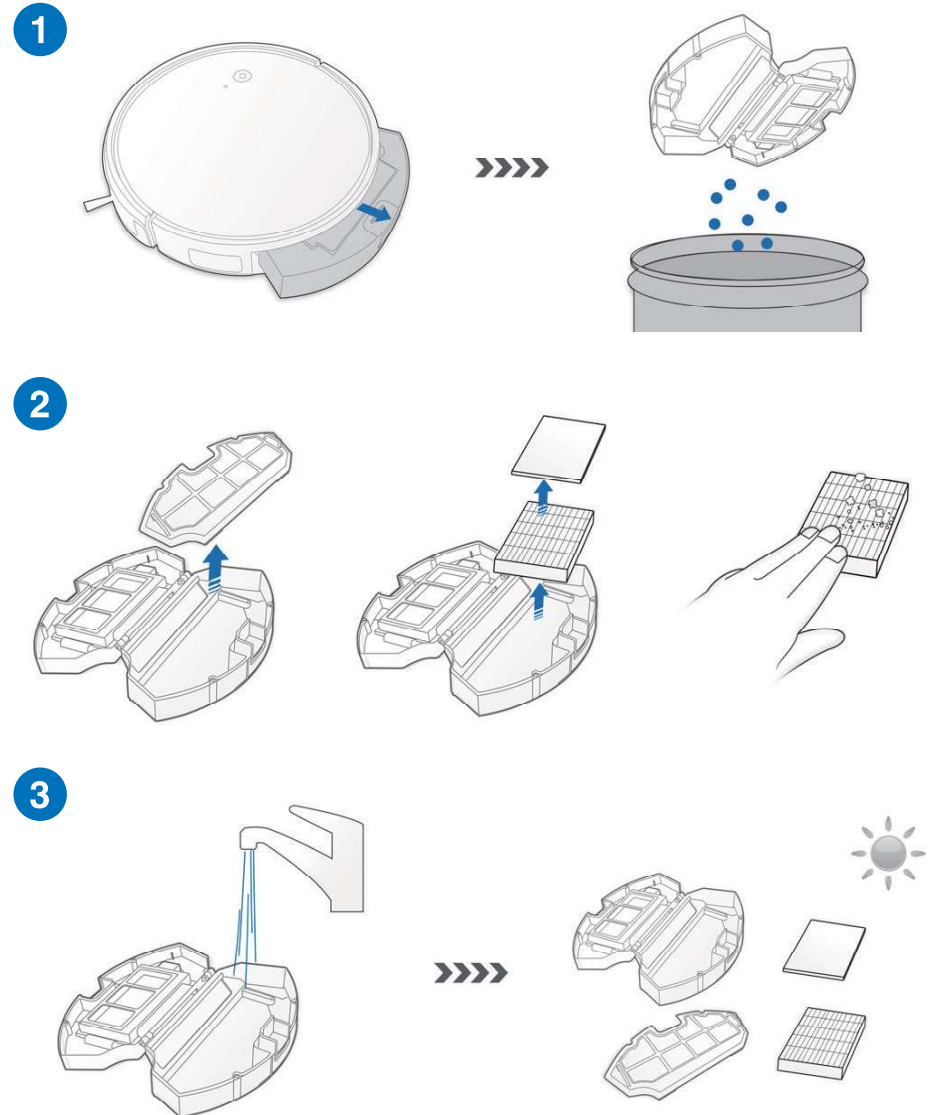
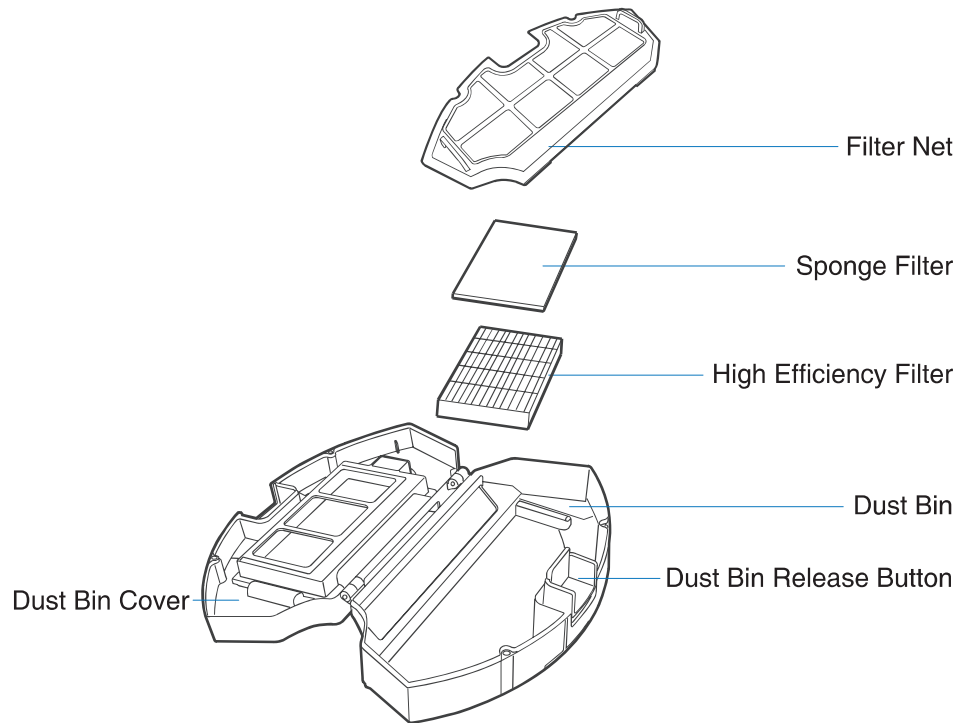
Note: When DEEBOT is not working, it is recommended to keep it switched ON and charging.

4. Maintenance

Before performing cleaning and maintenance tasks on DEEBOT, turn the robot OFF and unplug the Charging Dock.

4.1 Dust Bin and Filters

Dust Bin

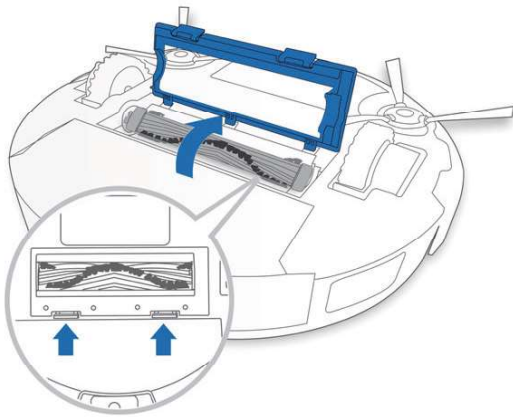


4.2 Main Brush and Side Brushes

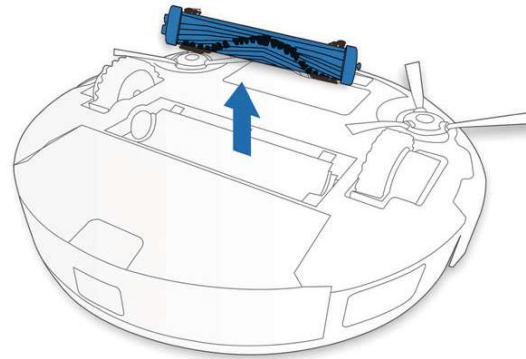
Note: A Multi-Function Cleaning Tool is provided for easy maintenance. Handle with care, this cleaning tool has sharp edges.

Main Brush

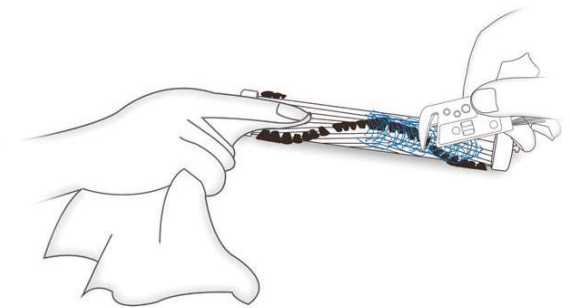
1



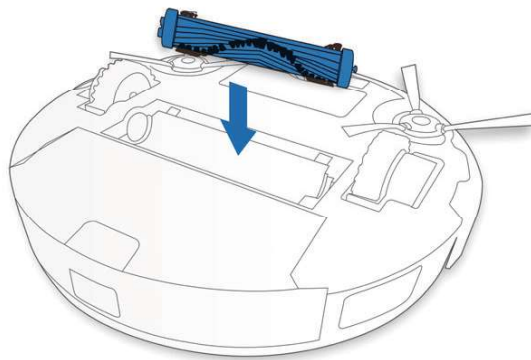
2



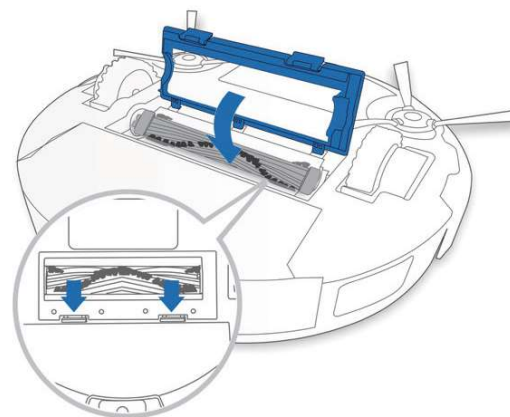
3



4



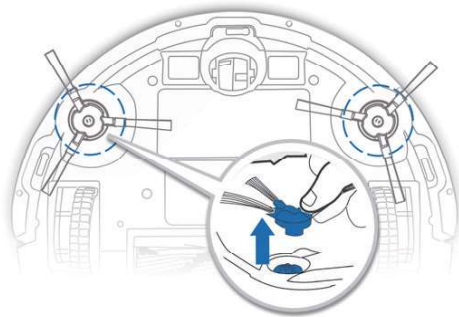
5



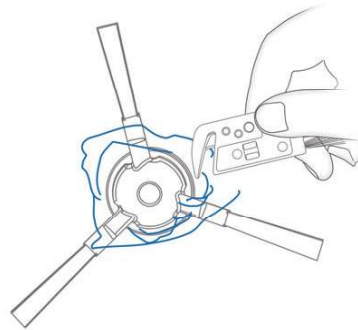
4. Maintenance

Side Brushes

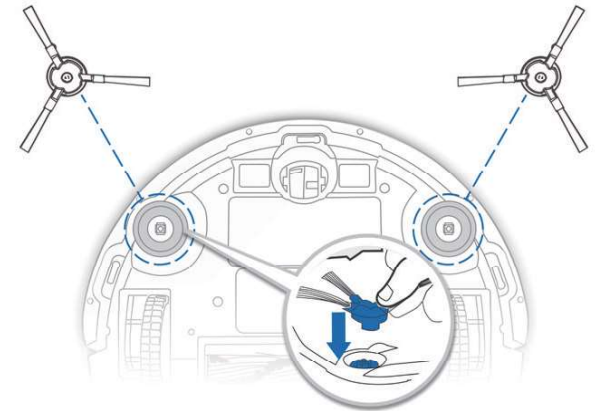
1



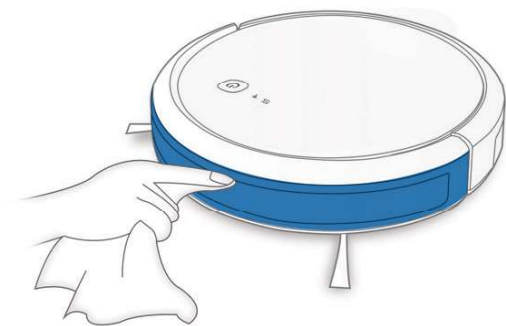
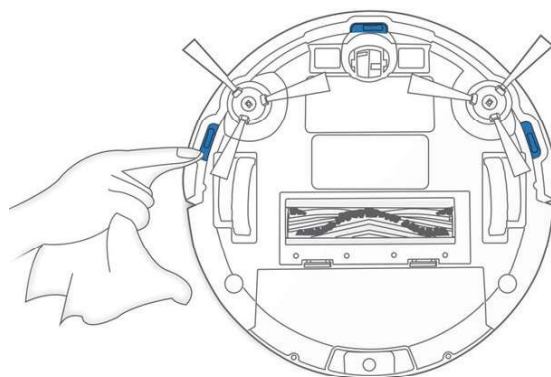
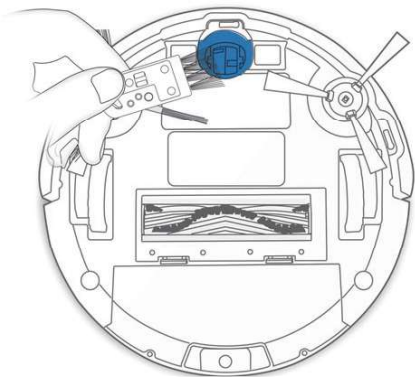
2



3

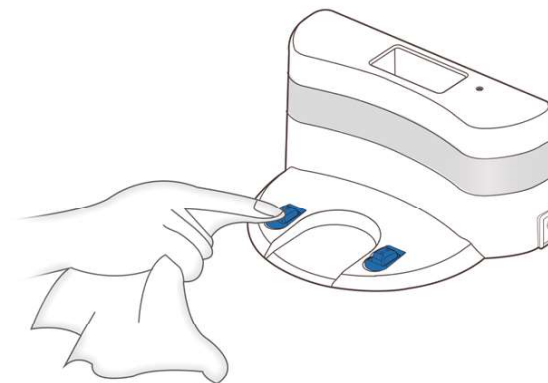
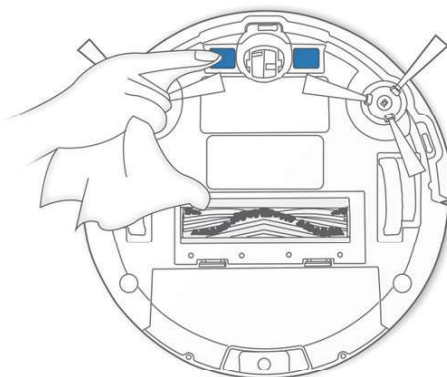


4.3 Other Components



4. Maintenance

Note: Before cleaning the robot's Charging Contacts and Charging Dock Pins, turn the robot OFF and unplug the Charging Dock.



4.4 Regular Maintenance

To keep DEEBOT running at peak performance, perform maintenance tasks and replace parts with the following frequencies:

Robot Part	Maintenance Frequency	Replacement Frequency
Side Brush	Once every 2 weeks	Every 3-6 months
Main Brush	Once per week	Every 6-12 months
Sponge Filter/ High Efficiency Filter	Once per week	Every 3-6 months
Universal Wheel Anti-Drop Sensors Bumper Charging Contacts Charging Dock Pins	Once per week	/

A Multi-Function Cleaning Tool is provided for easy maintenance. Handle with care, this cleaning tool has sharp edges.

Note: ECOVACS manufactures various replacement parts and fittings. Please contact Customer Service for more information on replacement parts.

5. Indicator Light and Alarm Sounds

DEEBOT will tell you something is wrong with an alarm indicator light and sounds. More detailed support is available through the ECOVACS App and online website.

Indicator Light

Scenario	Indicator Light
The robot is cleaning	AUTO Mode Button glows a solid WHITE
The robot is charging	AUTO Mode Button flashes WHITE
The robot has low battery	AUTO Mode Button glows a solid RED
The robot has a problem	AUTO Mode Button flashes RED
Programmed Cleaning Pattern is enabled	Cleaning Mode Switch Indicator lights up

Alarm Sounds

Alarm Sound	Problems	Solution
One Beep	Main Brush or Side Brush is tangled.	Clean Main Brush or Side Brush as mentioned in Section 4 Maintenance.
Two Beeps	Anti-Drop Sensor Malfunction	Use a cleaning cloth to wipe the Anti-Drop Sensor clean.
Three Beeps	Dust Bin is not properly installed.	Make sure the Dust Bin has been installed; if it has, take it out and put it back in properly.
Continuous Beeps	The Robot is suspended or the Driving Wheels are tangled.	Put the Robot back on the ground or gently pat the bumper and clean the Driving Wheel as mentioned in Section 4 Maintenance.

6. Troubleshooting

No.	Malfunction	Possible Causes	Solutions
1	DEEBOT is not charging.	DEEBOT is not switched ON.	Switch ON DEEBOT.
		DEEBOT has not connected to the Charging Dock.	Be sure that the robot's Charging Contacts have connected to the Charging Dock Pins.
		The battery is completely discharged.	Re-activate the battery. Switch ON DEEBOT. Place DEEBOT on the Charging Dock by hand, remove after charging for 3 minutes, repeat 3 times; then charge normally.
2	DEEBOT cannot return to the Charging Dock.	The Charging Dock is not correctly placed.	Refer to section 3.2 to correctly place the Charging Dock.
3	DEEBOT gets stuck while working and stops.	DEEBOT is tangled with something on the floor (electrical wires, curtains, carpet fringing, etc.).	DEEBOT will try various ways to free itself. If it is unsuccessful, manually remove the obstacles and restart.
4	DEEBOT returns to the Charging Dock before it has finished cleaning.	When the battery gets low, DEEBOT automatically switches to Return to Charger Mode and returns to the Charging Dock to recharge itself.	This is normal. No solution necessary.
		Working time varies according to floor surface, room complexity and the Cleaning Mode selected.	This is normal. No solution necessary.

6. Troubleshooting

No.	Malfunction	Possible Causes	Solutions
5	DEEBOT does not clean automatically at the scheduled time.	Time Scheduling function is cancelled.	Program DEEBOT to clean at specific times using the ECOVACS App.
		The Continued Cleaning function is turned ON and DEEBOT has just finished cleaning the scheduled cleaning area.	This is normal. No solution necessary.
		DEEBOT is switched OFF.	Switch ON DEEBOT.
		The robot's battery is low.	Keep DEEBOT switched ON and connected to the Charging Dock to make sure it has a full battery to work at any time.
		The robot's Suction Intake is blocked and/or there is debris stuck in its components.	Power OFF DEEBOT, clean the Dust Bin and invert the robot. Clean the robot's Suction Intake, Side Brushes and the Main Brush as described in Section 4.
6	DEEBOT does not clean the whole area.	The cleaning area is not tidy.	Remove small objects from the floor and tidy up the cleaning area before DEEBOT starts cleaning.
7	DEEBOT is not able to connect to the home Wi-Fi network.	Incorrect home Wi-Fi username or password entered.	Enter the correct home Wi-Fi username and password.
		DEEBOT is not within range of your home Wi-Fi signal.	Make sure DEEBOT is within range of your home Wi-Fi signal.
		Network setup started before DEEBOT was ready.	Turn ON Power Switch. Press the RESET Button for 3 seconds. DEEBOT is ready for network setup when it plays a musical tune and its Wi-Fi Indicator light flashes slowly.
		Your smartphone's operating system needs to be updated.	Update your smartphone's operating system. The ECOVACS App runs on iOS 9.0 and above, Android 4.0 and above.

7. Technical Specifications

Model	DO3G		
Working voltage	14.4V DC	Rated power	25W
Charging Dock			
Rated Input Voltage	19V DC	Rated output current	0.6A
Power Adapter Model	YJS015F-1900600B (HK) YJS015F-1900600T (TW) YJS015F-1900600A (AU) YJS015F-1900600TH (TH) DK18-190060H-B (MY/SG)		
Rated Input Voltage	100-240V AC	Rated Input Current	0.5A
Rated output Voltage	19V DC	Rated output current	0.6A
Remote Control Model	RC1633A	Input Voltage	3V DC
Battery	Lithium 2600mAh		

Note: Technical and design specifications may be changed for continuous product improvement.

感謝您選購 ECOVACS ROBOTICS，我們希望它將為您帶來更舒適生活，ECOVACS 已為全球數百萬家庭服務，我們相信這款全新智慧吸塵機器人將幫助您保持室內清潔，讓您擁有更多高品質的時間，盡享優質智能生活。

Live Smart. Enjoy Life.

為發揮 ECOVACS ROBOTICS 的最佳性能，請花一些時間閱讀並熟悉本說明書。若遇到說明書無法解決的問題，請聯繫我們的售後服務中心，將有專業人員為您解答問題。

若需查詢使用影片或者說明書，請至官網：www.ecovacs.com

台灣地區：也歡迎您上網登入註冊享有保固服務，請至保固卡網站：www.trwarranty.com.tw

香港地區：歡迎您上網登入產品註冊享有保養服務，請至網站：

www.ecovacs.com/hk-zh/support 或 www.ecovacs.com/hk/support

願 ECOVACS ROBOTICS 成為您生活的好幫手！

不只是機器人，更是家人

本資料產品以實物為準，原廠保留產品更新的權利，如有變動，恕不另行通知。

感謝您選擇 ECOVACS !



立即加入 ECOVACS 粉絲團
限台灣地區



立即加入 ECOVACS Facebook
限香港地區

目錄

1.安全規範	26
2.產品內容	29
3.產品使用	32
4.維護保養	37
5.指示燈與警示音	41
6.故障排除	42
7.技術規格	44

1. 安全規範

使用電器設備時，應務必遵守基本注意事項，包括下列各項：

**使用本產品前請仔細閱讀所有說明。
請妥善保管說明書**

1. 8 歲以上兒童及生理、感官或精神能力不足或缺乏相關經驗與知識者，可在受到監督或已接受關於如何安全使用本產品的指導，並瞭解相關危險的情況下使用本產品。兒童不應將產品作為玩具玩耍。兒童不應在無人監督的情況下進行清掃與維護。
2. 清潔前請先清空需要清潔的位置。移除地板上可能會纏繞本產品的電源線和小型物品。將地毯的流蘇邊塞到地毯下，並將窗簾和桌布等物品提高，使其不會接觸到地板。
3. 如有臺階或樓梯等懸空區域，請先測試產品，看其是否可以偵測到臺階而不會從邊緣掉落。如有掉落的風險，則必須在邊緣放置實體柵欄，以防止本產品掉落。請確保實體柵欄不會導致絆倒。
4. 請僅依照本手冊所述的方式使用產品。請僅使用製造商推薦或銷售的附件。
5. 請確保電源電壓與充電座上標示的電壓相符。
6. 僅供居家室內使用。請勿在戶外、商業或工業環境中使用本產品。
7. 嚴禁使用非充電式電池。如需電池資訊，請參閱 <規格> 一節。
8. 請勿在未安裝塵盒和/或濾材的情況下使用本產品。
9. 請勿在有點燃蠟燭或易碎物品的區域內操作本產品。
10. 請勿在極熱或極冷 (低於 -5°C 或者高於 40°C) 的環境中使用產品。
11. 請讓頭髮、寬鬆的衣服、手指和身體的所有部位遠離任何開口和運作零件。
12. 請勿於嬰幼兒正在睡覺的房間內操作本產品。
13. 請勿在潮濕或積水的表面上使用本產品。
14. 請勿讓本產品吸入大型物品 (例如石頭)、大型紙張或任何可能堵塞本產品的物品。
15. 請勿使用本產品吸取易燃物或可燃物 (例如汽油、印表機或影印機碳粉)，或在可能有這些物品的區域內使用本產品。

1. 安全規範

16. 請勿使用本產品吸取任何正在燃燒或冒煙的物品，例如香煙、火柴、灰燼，或任何可能引起火災的物品。
17. 請勿將物品放入吸口處。吸口處堵塞時請勿使用本產品。請清理吸口處的灰塵、棉絮、毛髮，或任何可能會減少氣流的物品。
18. 請小心不要損壞電源線。請勿用電源線拖曳或提拉本產品或充電座、將電源線做為提把、讓電源線夾在門縫裡，或在銳利的邊緣或角落處拉動電源線。請勿讓本產品輾過電源線。請讓電源線遠離高溫表面。
19. 如果電源線損壞，則必須由製造商或其維修代理商進行更換，以避免危險。
20. 如果充電座已損壞，請勿使用。
21. 電源線或插座已損壞時，請勿使用本產品。如果本產品或充電座無法正常運作、曾掉落、損壞、留在戶外或碰到水，請勿使用。必須由製造商或其維修代理商進行維修，以防危險。
22. 在清理或保養本產品前，請先「關閉」電源開關。
23. 在清理或保養充電座前，必須先將插頭從插座拔出。
24. 在取出本產品電池並丟棄前，請先將本產品從充電座上移走，接著「關閉」本產品的電源開關。
25. 在丟棄本產品前，必須先按照當地的法律和法規取出並丟棄電池。
26. 請按照當地的法律和法規處理舊電池。
27. 即使本產品已嚴重損壞，也請勿焚燒。電池在火中可能會爆炸。
28. 長時間不使用充電座時，請拔下其插頭。
29. 請務必依照本操作手冊中的指示使用本產品。如因不當使用造成任何損害或傷害，**ECOVACS ROBOTICS** 概不負責。
30. 本機器人包含僅可由專業人員更換的電池。若要更換本機器人的電池，請聯絡客戶服務。
31. 如果長時間不使用本機器人，請關閉本機器人的電源以存放之，並拔下充電座的插頭。
32. **警告：**若要為電池充電，請僅使用本產品隨附的外接式供電裝置 YJS015F-1900600B (HK)/YJS015F-1900600T (TW)/YJS015F-1900600A (AU)/YJS015F-1900600TH (TH)/DK18-190060H-B (MY/SG)。

1. 安全規範

- 33. 遙控器已預先裝入兩顆非充電式 AAA 電池。若要更換遙控器中的電池，請將遙控器翻面，輕壓並取下電池蓋。取出電池，然後依照正確的正負極方向裝入電池。重新裝回電池蓋。
- 34. 非充電式電池不可充電。
- 35. 不同類型的電池或是新舊電池不可混合使用。
- 36. 遙控器的電池必須按照正確的正負極方向安裝。
- 37. 電力耗盡的電池需自產品中取出，並安全丟棄。
- 38. 如果遙控器長時間不使用，應將電池取出。
- 39. 供電端不可短路。

如為歐盟國家



請正確丟棄本產品

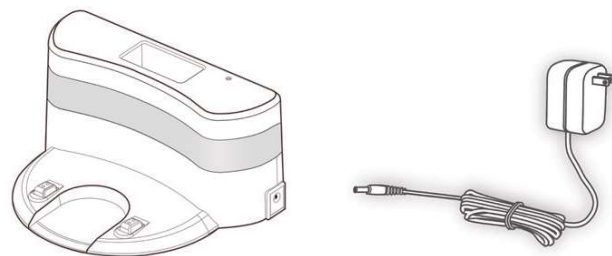
此標誌表示在歐盟不能以丟棄家庭垃圾的方法處理本產品。為防止未受控制的廢物處理對環境或人體健康造成危害，請以負責任的方式回收，確保物質資源的可持續運用。如要回收使用後的裝置，請利用退還及回收系統或聯絡當時購買產品的銷售商。銷售商能安全回收本產品。

2. 產品內容

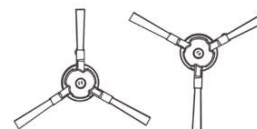
2.1 包裝內容



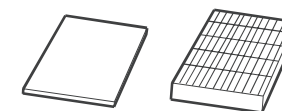
地面清潔機器人



充電座 + 變壓器



(4) 邊刷



高效過濾棉+ 精細過濾棉



遙控器與電池



清理小工具



說明書



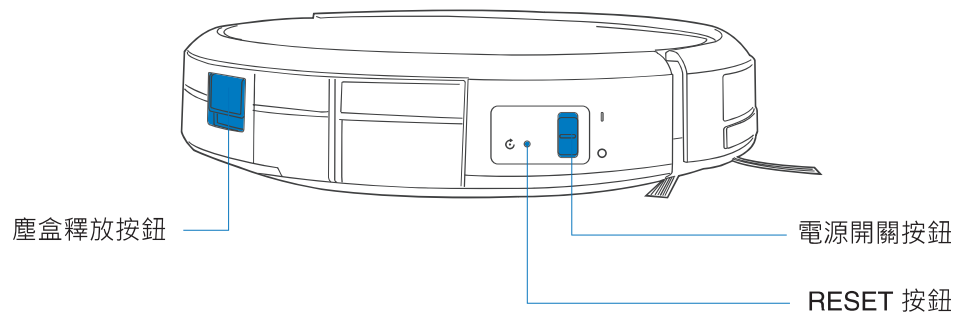
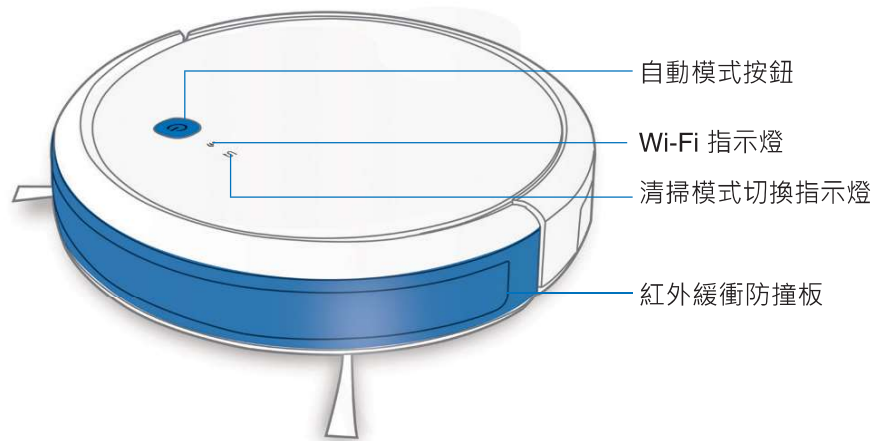
快速操作指南

請注意：圖片與示意圖僅供參考，可能會與實際產品外觀不同。
產品設計與規格如有變更，恕不另行通知。

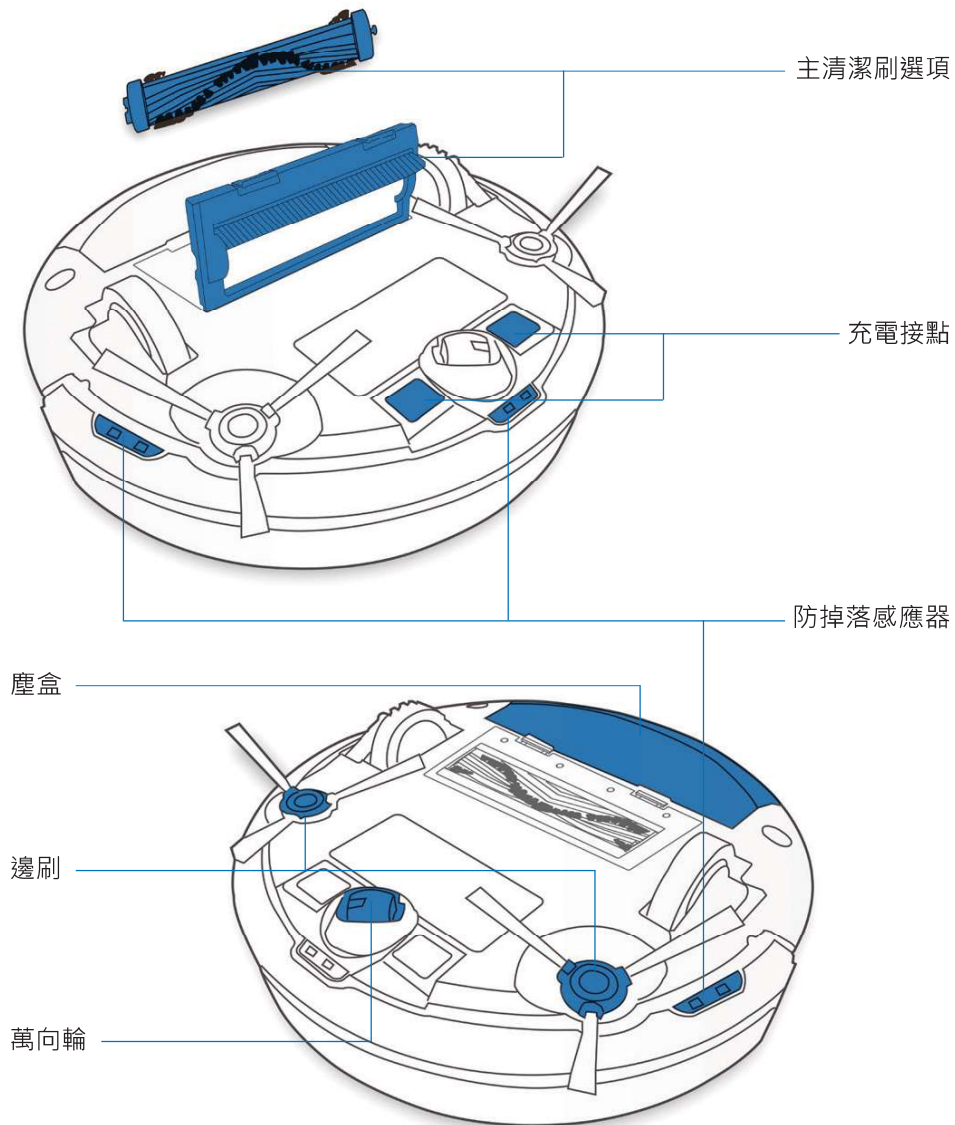
2. 產品內容

2.3 組件名稱

地面清潔機器人

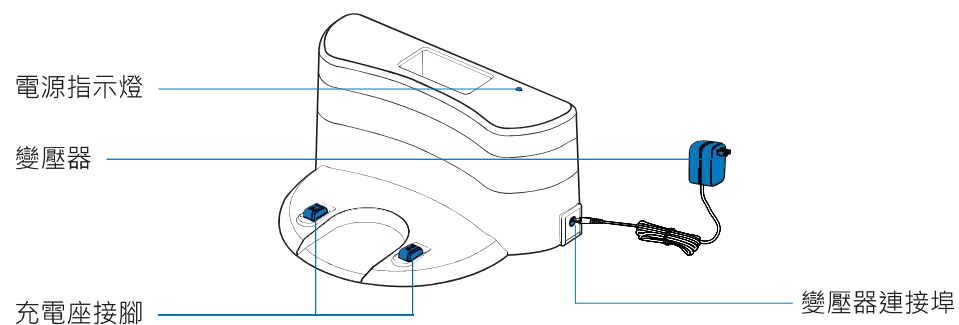


底部視圖

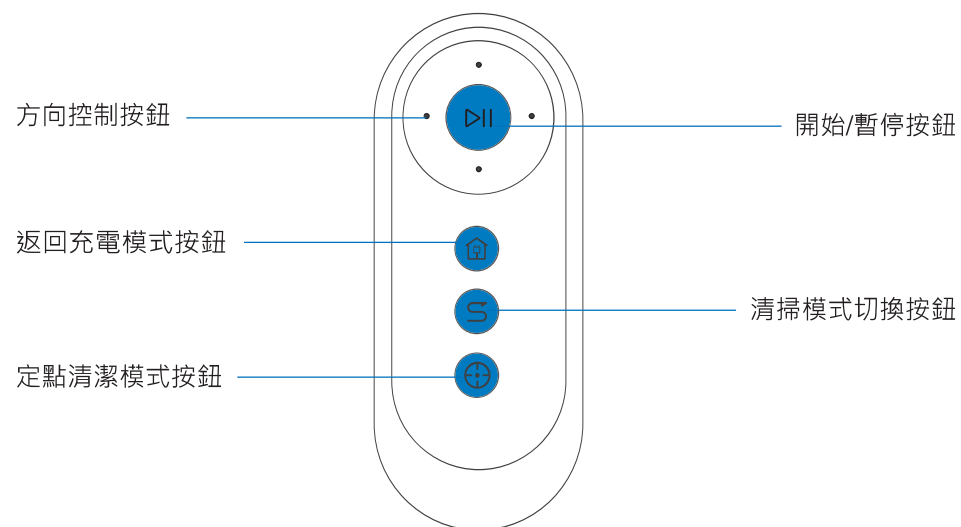


2. 產品內容

充電座



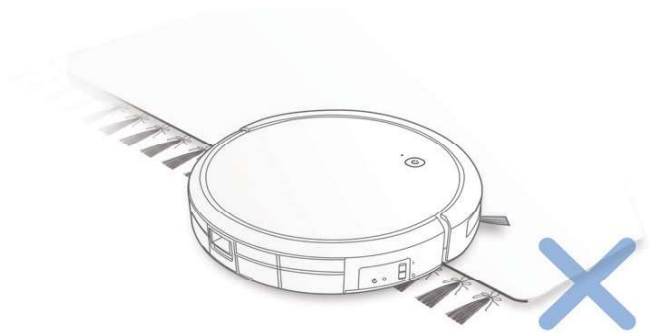
遙控功能



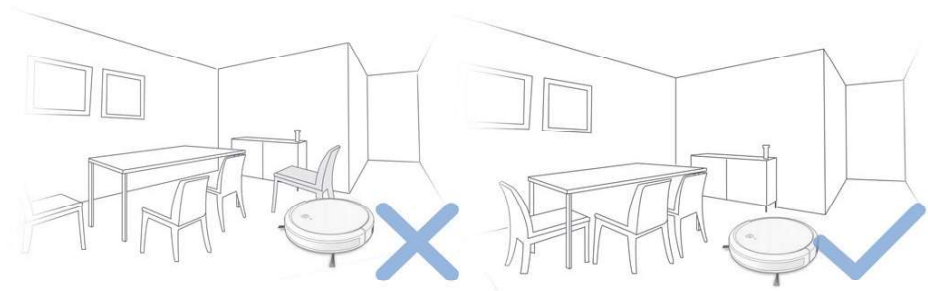
3. 產品使用

3.1 注意事項

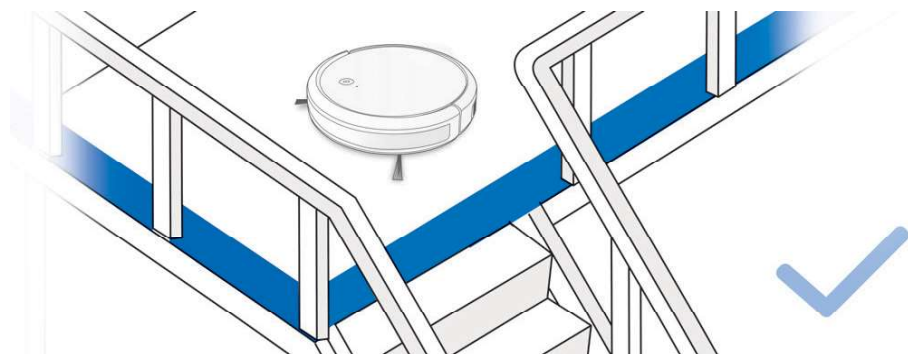
警告：禁止在潮濕或有積水的地面上使用產品。



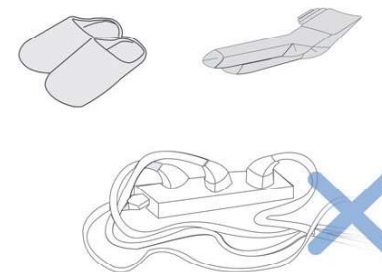
請將地毯邊緣收起或於短毛地毯上工作。



整理需要清掃的位置，將家具 (例如椅子) 放在適當的位置。



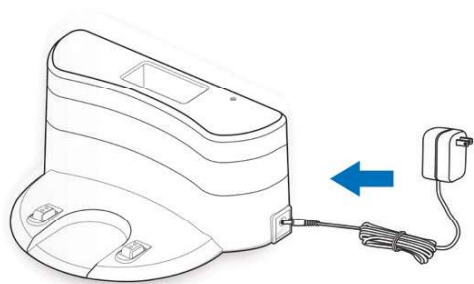
建議於階梯邊緣放置防護欄，以確保產品安全工作。



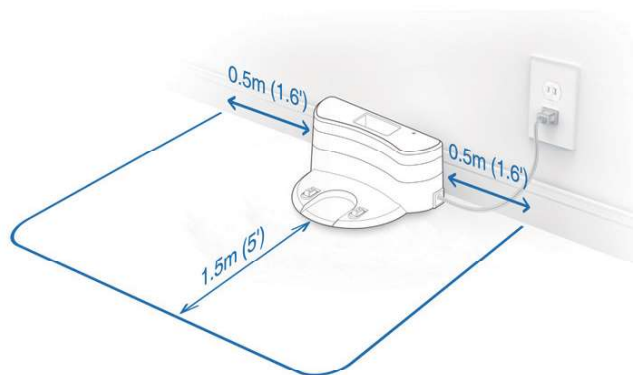
移除地板上可能會阻擋機器人的電源線或小型物體。

3.2 準備

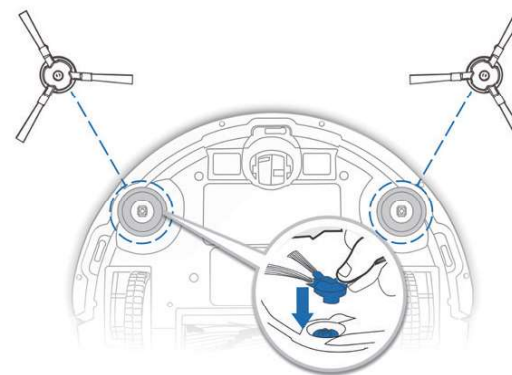
1 插入變壓器



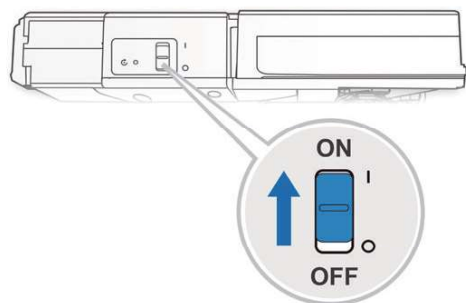
2 充電準備



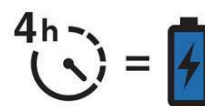
3 安裝邊刷



4 打開主機



5 主機充電



請注意：主機完成清掃或感知電量不足時會自動返回充電。

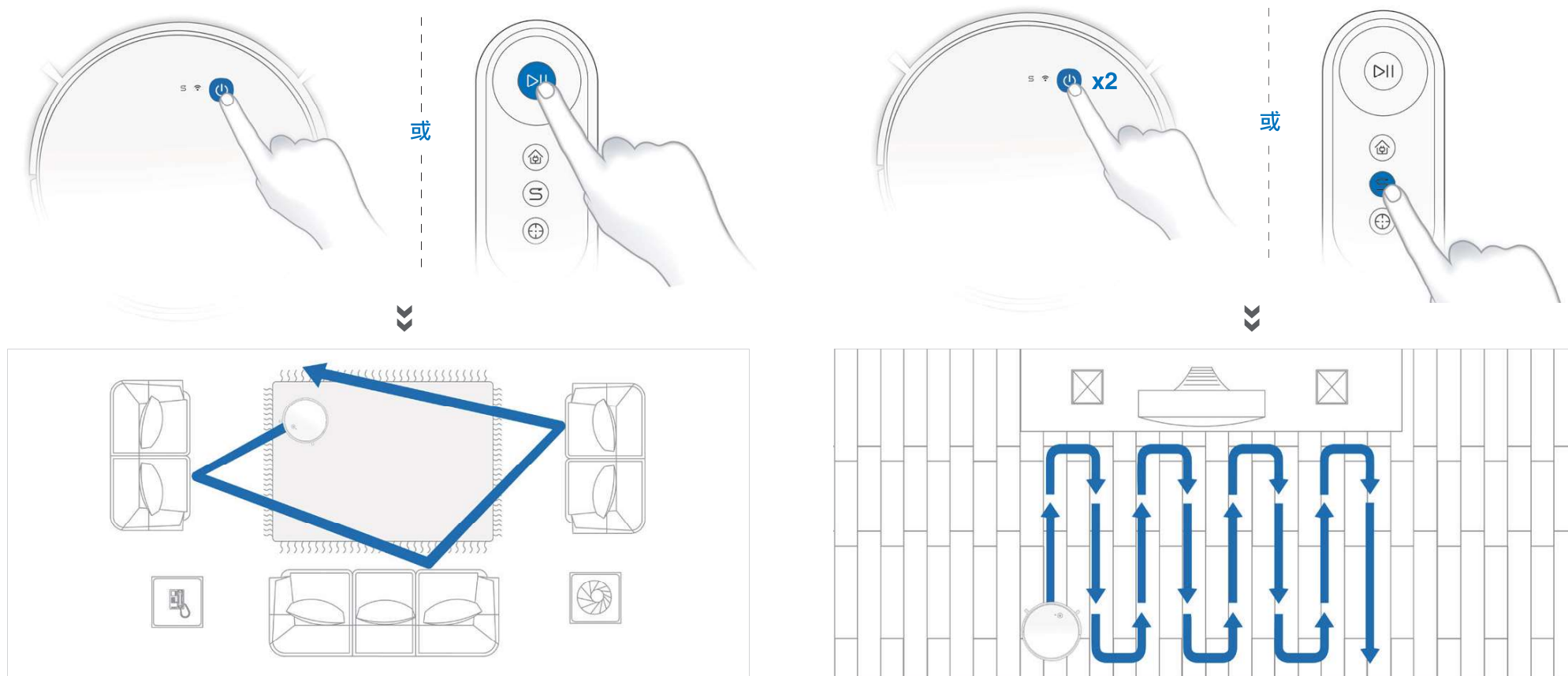
3. 產品使用

3.3 選擇清掃模式

1 自動清潔模式

A 隨機清掃路線 (最適用於地毯清掃) 為預設選項。

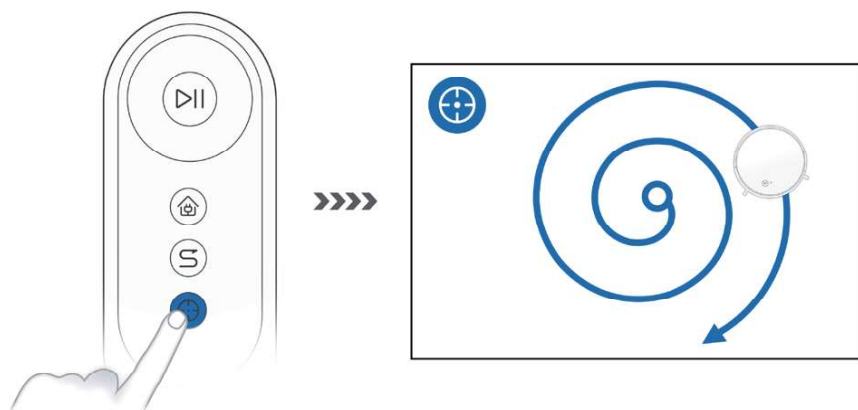
若要切換到**預定清掃路線** (最適用於硬地板清掃) 或在兩種路線之間切換，請執行以下動作：



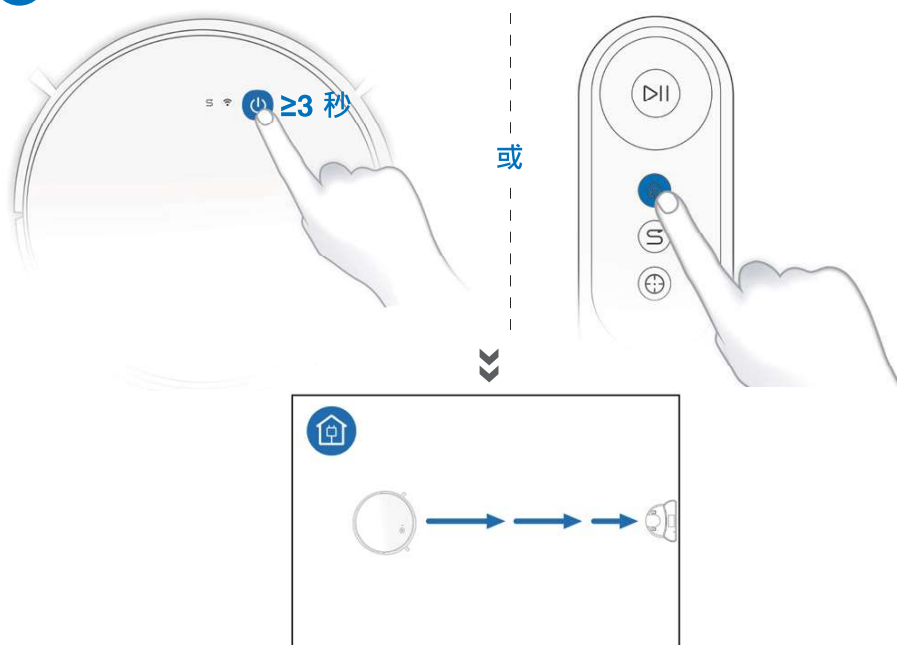
請注意：只有在 DEEBOT 暫停或充電時，才可切換清掃路線。一旦切換清掃路線，DEEBOT 就會開始新的清掃循環。一旦啟用預定清掃路線，S 會亮起。

3. 產品使用

2 定點清掃模式 (3 分鐘以下)



3 返回充電座



上述功能皆可透過應用程式啟用。下載 ECOVACS App 即可使用更多功能，例如邊緣清掃、預約清掃等。



Q ECOVACS HOME



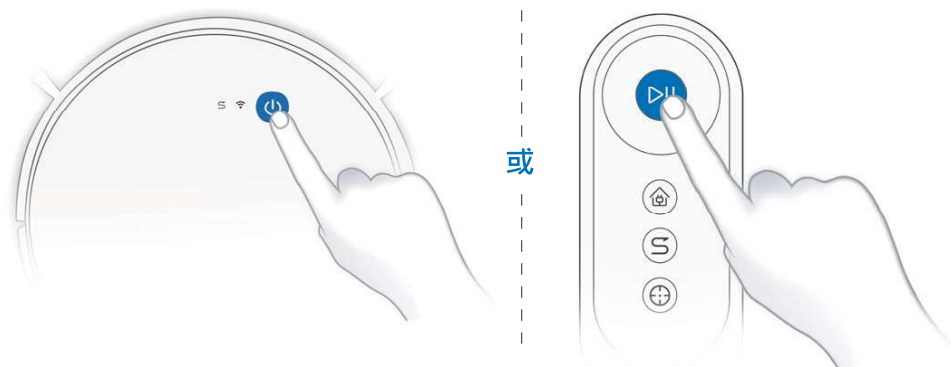
✓ iOS 9.0 or later

✓ Android 4.0 or later

3. 產品使用

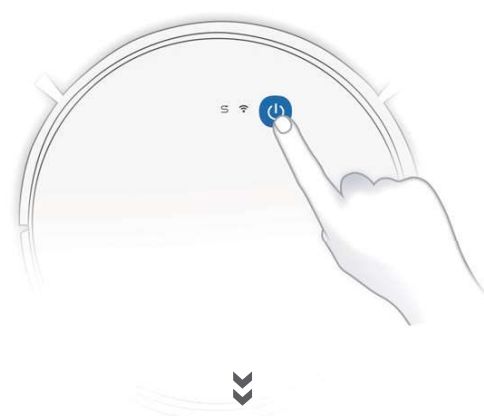
3.4 暫停運作、喚醒、關機

1 暫停運作

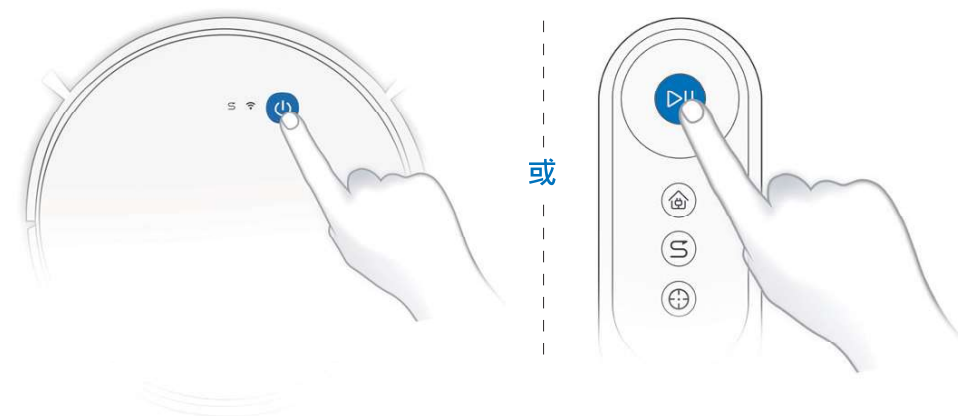


請注意：主機暫停工作超過幾分鐘後，控制面板會熄滅。按下 DEEBOT 上的自動模式按鈕立即喚醒主機。

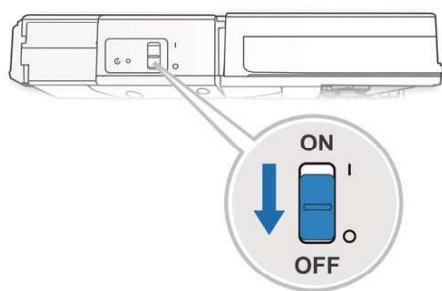
2 喚醒



按下 DEEBOT 上的自動模式按鈕喚醒主機



3 關機

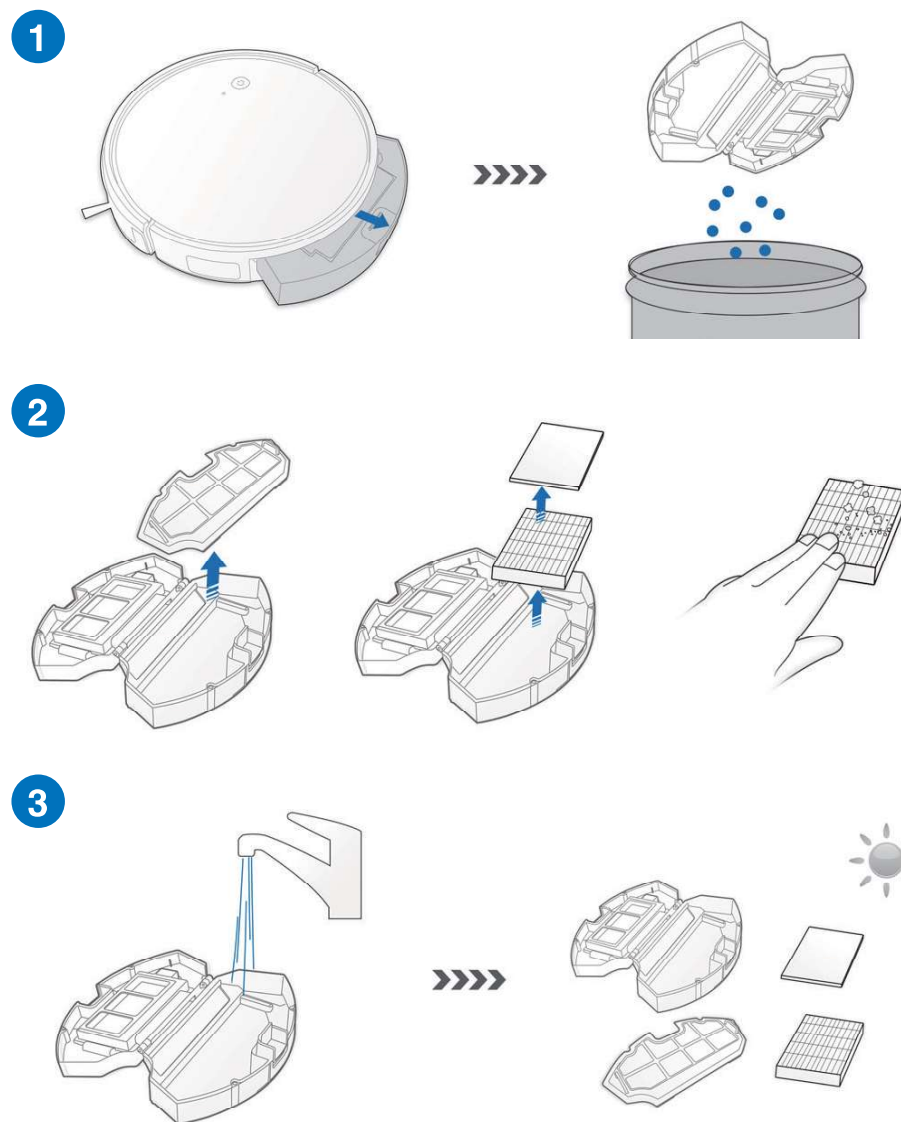
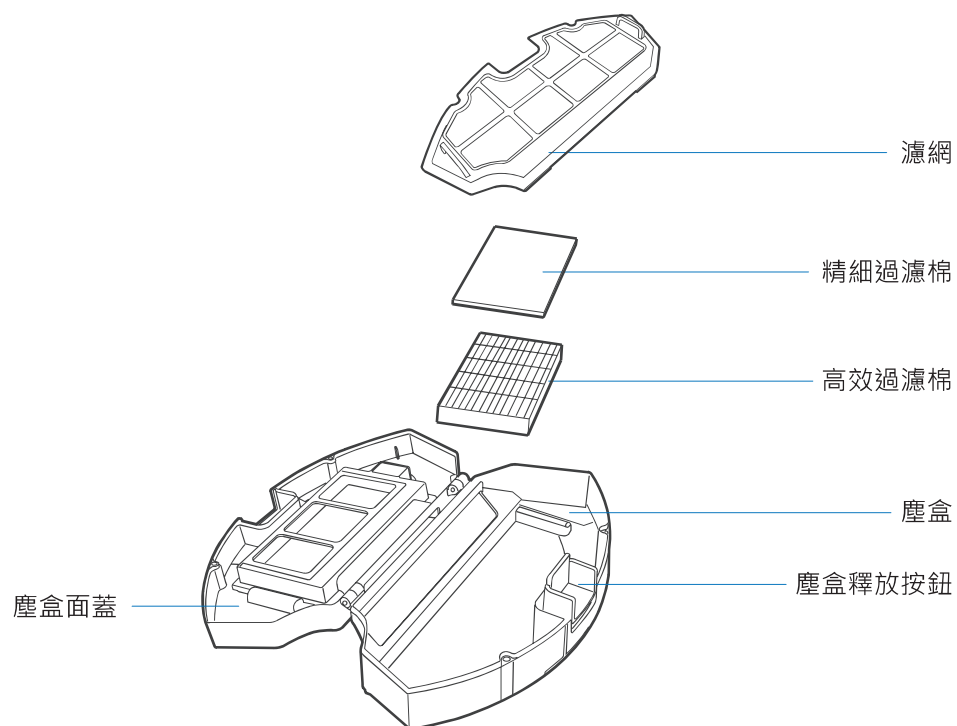


請注意：主機不執行工作時，建議保持開機狀態充電，以便下次工作準備。

進行保養時，請先關閉主機，並拔下充電座電源，以策安全。

4.1 塵盒與濾材

塵盒



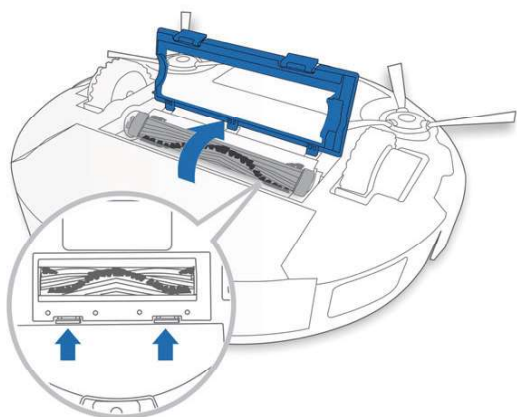
4. 維護保養

4.2 主滾刷與邊刷

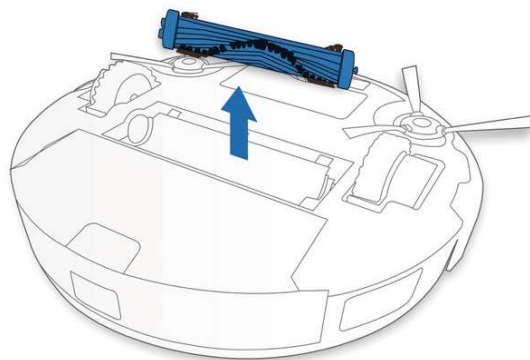
請注意：建議搭配使用清理小工具效果更佳。此清潔工具的邊緣相當銳利，請小心使用。

主滾刷

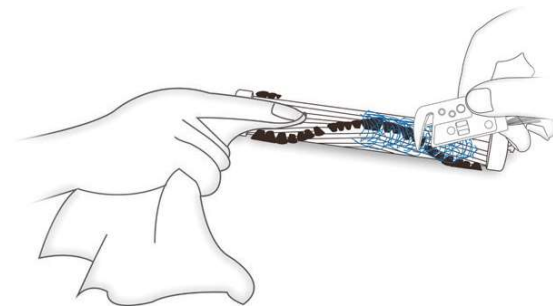
1



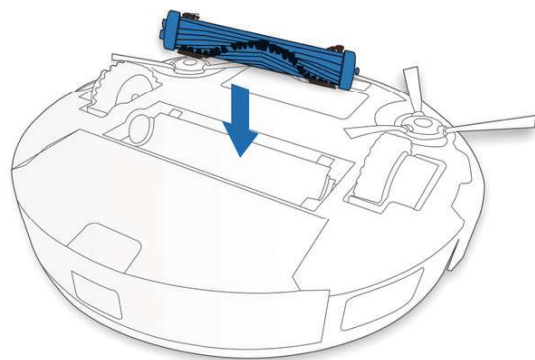
2



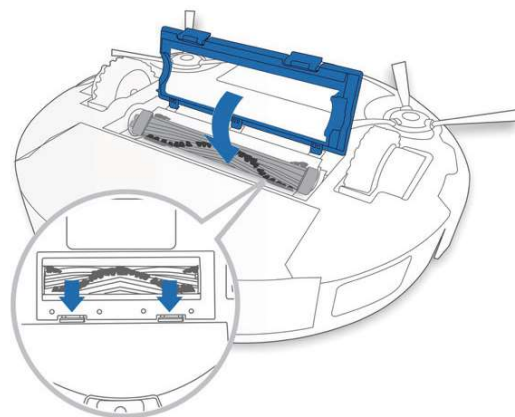
3



4

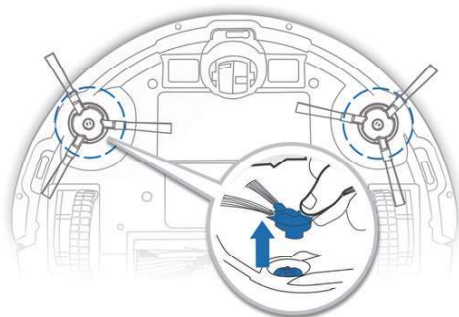


5

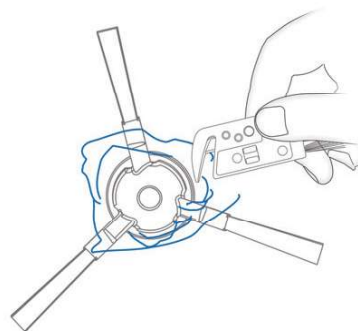


邊刷

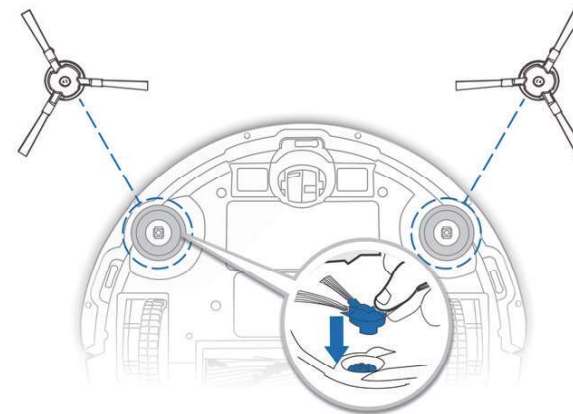
1



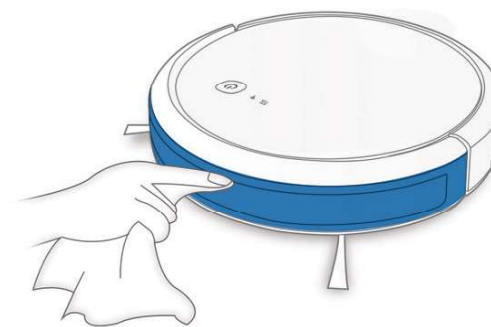
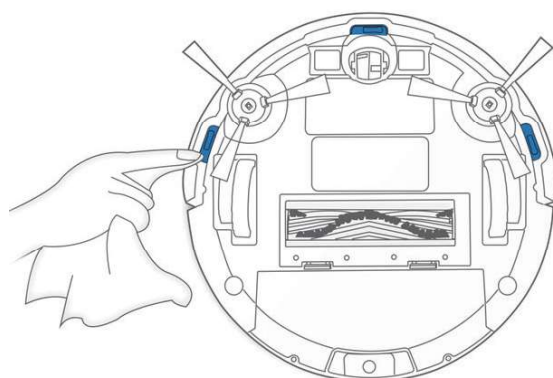
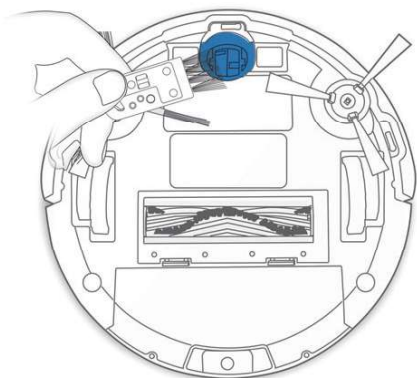
2



3

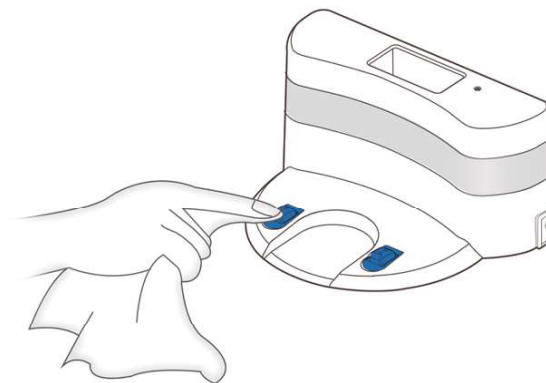
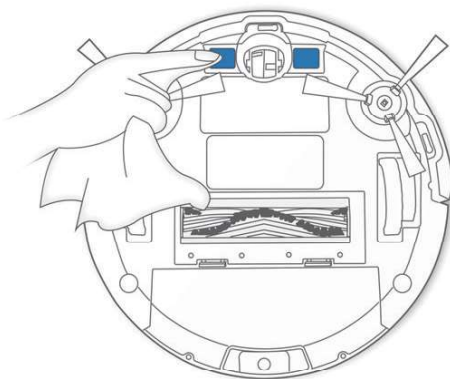


4.3 其他元件



4. 維護保養

請注意：清理充電接點與充電座接腳時，請先關閉主機，並拔下充電座電源，以策安全。



4.4 定期保養

如需主機運轉保持最佳性能，請依照下列建議進行維護保養和配件更換。

機器人零件	保養頻率	更換頻率
側邊清潔刷	每 2 週 1 次	每 3-6 個月 1 次
主滾刷	每週 1 次	每 6-12 個月 1 次
過濾海綿/高效率濾網	每週 1 次	每 3-6 個月 1 次
萬向輪 防掉落感應器 防撞桿 充電接點 充電座接腳	每週 1 次	/

建議搭配使用清理小工具效果更佳。此清潔工具的邊緣相當銳利，請小心使用。

請注意：ECOVACS 生產各種替換配件。如需有關更換零件的詳細資訊，請聯絡客戶服務。

5. 指示燈與警示音

若發生問題，DEEBOT 會以指示燈與警示音來通知您。ECOVACS App 與線上網站有更多詳細的支援資訊。

指示燈

狀況	指示燈
機器人正在清掃中	自動模式按鈕發出穩定白光
機器人正在充電中	自動模式按鈕發出閃爍白光
機器人電量不足	自動模式按鈕發出穩定紅光
機器人發生問題	自動模式按鈕發出閃爍紅光
預定清掃路線已啟用	清掃模式切換指示燈亮起

警示音

警示音	問題	解決方法
一聲警示音	主滾刷或邊刷纏繞。	依照本說明書第 4 節 < 維護保養 > 清理主滾刷或邊刷。
兩聲警示音	下視感測器故障	使用清潔布擦拭防掉落感應器。
三聲警示音	塵盒未正確安裝。	確認已安裝塵盒。如果已安裝，請以正確方式取下集塵盒再裝回去。
持續警示音	機器人懸空或驅動輪遭纏繞。	依照本說明書第 4 節 < 維護保養 >，將機器人放回地面或輕拍防撞板，並清理驅動輪。

6. 故障排除

編號	故障情況	可能原因	解決方法
1	主機無法充電。	主機未開機。	將主機開機。
		主機未連接充電座。	確保主機的充電接點連接至充電座接腳。
		電池處於深度放電狀態。	進行電池啟動。將主機開機。手動將 DEEBOT 放到充電座上，充電 3 分鐘後移出，重複該動作 3 次之後，正常充電。
2	主機無法返回充電座。	充電座未正確放置。	請參閱第 3.2 節以正確放置充電座。
3	主機工作時卡住並停止運作。	主機被地面上的物品 (例如散亂的電線、窗簾布或地毯鬚邊等) 纏繞或阻礙。	主機會自主嘗試各種方法脫困，若未能脫困，建議手動進行。
4	未清掃完畢，主機返回充電。	主機工作中能感知電量不足，自動返回充電。	此為正常情況，無需處理。
		工作時間視地板表面、房間複雜程度和選擇的清掃模式而有不同。	此為正常情況，無需處理。

6. 故障排除

編號	故障情況	可能原因	解決方法
5	DEEBOT 未按預約時間自動清掃。	定時預約功能已取消。	使用 ECOVACS App，將 DEEBOT 設定於特定時間清掃。
		繼續清掃功能已啟動，但主機剛剛才完成清掃預約清掃區域。	此為正常情況，無需處理。
		主機關機。	將主機開機。
		機器人電量不足。	讓主機保持在開機狀態並連接充電座進行充電，為下次工作準備妥當。
		吸口堵塞且/或主機被垃圾堵塞。	請先關機，清理塵盒後將主機底部朝上。根據本說明書章節 4 分別清理主機吸口、主滾刷和邊刷。
6	主機並未清掃所有區域。	清理區域未經過整理。	在主機開始清潔前，清理地面上的細小物品，並整理清理區域。
7	主機無法連線至家庭 Wi-Fi。	家庭 Wi-Fi 使用者名稱或密碼不正確。	輸入正確的 Wi-Fi 使用者名稱和密碼。
		主機不在家庭 Wi-Fi 訊號範圍內。	確保主機在家庭 Wi-Fi 訊號覆蓋範圍內。
		主機尚未準備好待配置時，網路設置已啟動。	打開主機電源開關，按住 RESET 按鈕 3 秒。主機發出提示音，Wi-Fi 指示燈慢閃，即可進行網路設置。
		智慧型手機作業系統需要升級。	升級智慧型手機作業系統。ECOVACS App，需在 iOS 9.0 或更高版本，Android 4.0 或更高版本作業系統中使用。

7. 技術規格

主機型號	DO3G		
工作電壓	14.4V DC	額定功率	25W
充電座			
額定輸入電壓	19V DC	額定輸出電流	0.6A
變壓器型號	YJS015F-1900600B (HK) YJS015F-1900600T (TW) YJS015F-1900600A (AU) YJS015F-1900600TH (TH) DK18-190060H-B (MY/SG)		
額定輸入電壓	100-240V AC	額定輸入電流	0.5A
額定輸出電壓	19V DC	額定輸出電流	0.6A
遙控器型號	RC1633A	輸入電壓	3V DC
電池及規格	鋰電池 2600mAh		

請注意：因產品持續改善的需要，本公司保留對產品進行任何技術、設計變更的權利，解釋權歸本公司所有。

恭喜您购买了科沃斯 DEEBOT 机器人！希望它能在未来的多年里都让您感到满意。我们相信您新购买的机器人能够帮助您保持家居卫生，让您省出更多时间，做自己想做的事情。

智生活 享人生

如遇根据本说明手册无法妥善解决之问题，请与我们的客服中心联系，相关技术人员将会解答您的具体疑问或问题。

如需了解更多信息，请访问科沃斯机器人官方网站：www.ecovacs.com

本公司保留对本产品进行技术和/或设计更改以持续改进的权利。

感谢您选择 DEEBOT !

目录

1.重要安全说明.....	47
2.包装内容.....	50
3.操作和程序.....	53
4.维护.....	58
5.指示灯和报警声.....	62
6.故障排除.....	63
7.技术规格.....	65

1. 重要安全说明

使用本电气设备时，请务必一直遵循基本的预防措施，包括以下注意事项：

使用本设备前，请先阅读所有说明。

妥善保管相关说明

1. 8 岁及以上儿童、身体机能/感官/智力能力欠佳或知识经验不足的人士在得到安全使用设备的相关监督或指导并了解所涉及危险的前提下，方可使用本设备。儿童不得玩耍本设备。在无人监督的情况下，不得让儿童清洁和维护本设备。
2. 请先清理要打扫的区域。拿走地板上可能会缠住本设备的电源线和物件。将地毯流苏塞到地毯下，从地板上提起窗帘和桌布等物品。
3. 如果打扫区有台阶或楼梯等易跌落处，则应手动操作本设备，确保设备能检测到台阶，而不致于从边缘处跌落。可能需要在边缘处放置一个物理屏障，以防设备跌落。确保物理屏障不会导致绊倒。
4. 请仅按本手册中的说明使用设备。请只使用制造商推荐或销售的附件。
5. 请确保所用电源电压与充电座电源的电压一致。
6. 仅限室内家用。请勿在户外、商业或工业环境中使用本设备。
7. 禁止使用非充电电池。有关电池的信息，请参阅“规格”章节。
8. 请勿在未安装尘盒和/或滤材的情况下使用本设备。
9. 请勿在有明火或易碎物品的区域操作本设备。
10. 请勿在极端温度环境下（温度低于 $-5^{\circ}\text{C}/23^{\circ}\text{F}$ 或高于 $40^{\circ}\text{C}/104^{\circ}\text{F}$ ）使用本设备。
11. 请勿将毛发、宽松衣物、手指及所有身体部位靠近本设备的任何开口和活动部件。
12. 请勿在婴儿或小孩睡觉的房间内操作本设备。
13. 请勿在潮湿或有积水的表面使用本设备。
14. 请勿让本设备拾取大块物品，如石头、大片纸张或任何可能堵塞设备的物品。
15. 请勿使用设备拾取易燃或可燃物质（如汽油、打印机或复印机墨粉），请勿在可能出现易燃物的地方使用本设备。

1. 重要安全说明

16. 请勿使用设备拾取任何燃烧或冒烟物品，如香烟、火柴、热灰烬或任何可能引起火灾之物。
17. 请勿将物品放入吸入口。如果吸入口堵塞，请勿使用设备。避免吸入灰尘、棉绒、毛发或任何可能堵塞气流的物品。
18. 小心不要损坏电源线。请勿拉扯或拖拽设备或充电座的电源线，勿使电源线被门夹到，请勿在锋利的边缘或角落处拉扯电源线。请勿使运行的设备压到电源线。请使电源线远离发热表面。
19. 如果电源线损坏，必须由制造商或其服务代理商更换，以免发生危险。
20. 充电座一旦受损，请勿再用。
21. 请勿使用已损坏的电源线或插座。设备或充电座一旦运行失常、摔落、受损、置于户外或进水，请勿再用。必须由制造商或其服务代理商维修，以免发生危险。
22. 清洁或维护设备之前，先关闭电源开关。
23. 清洁或维护充电座之前，必须从插座上拔下插头。
24. 拆卸电池处理设备之前，先从充电座上取下设备，并关闭设备上的电源开关。
25. 处理设备之前，必须根据当地法律法规的要求拆卸并丢弃电池。
26. 请按当地法律法规的要求处理废旧电池。
27. 即使设备已严重受损，仍请不要焚烧本设备。电池会在火中爆炸。
28. 如果长时间不使用充电座，请拔掉插头。
29. 必须按照本说明手册中的说明使用本设备。对因使用不当造成的任何损害或伤害，科沃斯机器人公司概不负责。
30. 本机器人中安装的电池仅可由熟练操作人员更换。若要更换或拆卸电池，请联系客服。
31. 如果长时间不使用机器人，请将其充满电后关闭电源，再拔下充电座。
32. **警告：** 仅能使用本设备随附的可拆卸电源 YJS015F-1900600B (HK)/YJS015F-1900600T (TW)/YJS015F-1900600A (AU)/YJS015F-1900600TH (TH)/DK18-190060H-B (MY/SG) 为电池充电。
33. 遥控器预装了两颗非充电 AAA 电池。若要更换遥控器电池，请翻转遥控器，按压并取下

电池盖。取出电池，再按正确的极性放入新电池。装回电池盖。

34. 非充电电池无法充电。
35. 不同类型的电池不能混用，也不能将新旧电池混用。
36. 应按正确的极性放入遥控器电池。
37. 电池电量用尽后，必须从设备中取出并安全处置。
38. 如果长期不使用遥控器，请在存放之前，先将电池取下。
39. 电源接线端不能短路。

欧盟国家



正确处理本产品

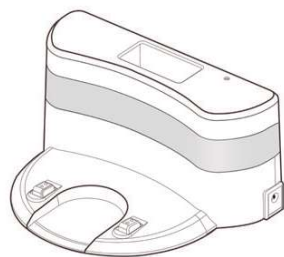
该标志表示，在整个欧盟境内，本产品不得与其他生活垃圾一同处理。为避免随意处理废物可能对环境或人类健康造成的伤害，应负责将其回收，以促进物质资源的可持续利用。若要回收您用过的旧设备，请使用退货和收集系统，或与所购产品的零售商联系。相关人员会安全回收本产品。

2. 包装内容

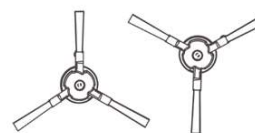
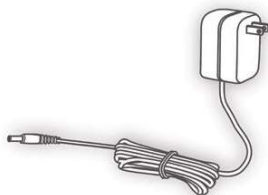
2.1 包装内容



机器人



充电座 + 电源适配器



(4) 边刷



高效过滤棉 + 精细过滤棉



遥控器（带电池）



多功能清洁工具



说明手册

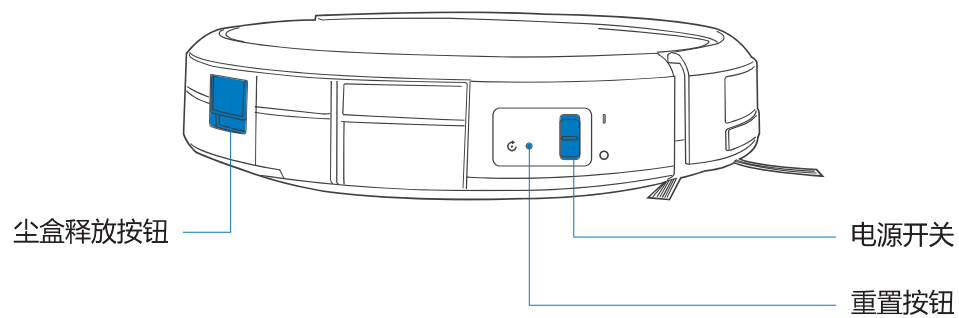
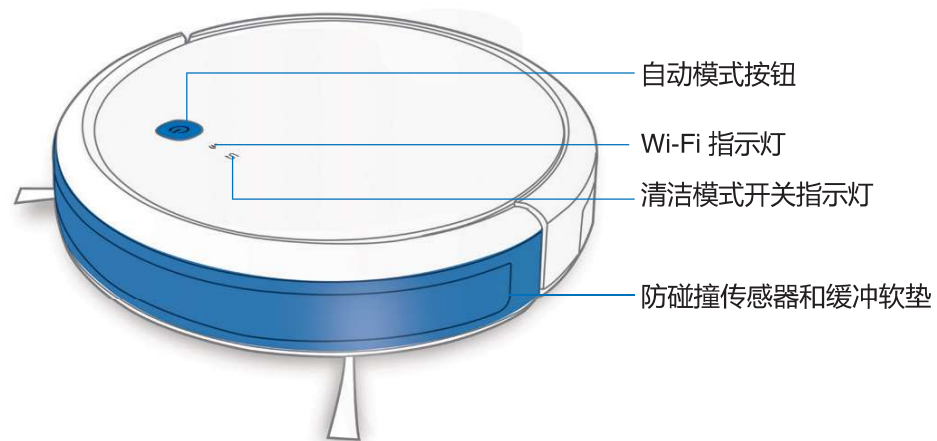


快速操作指南

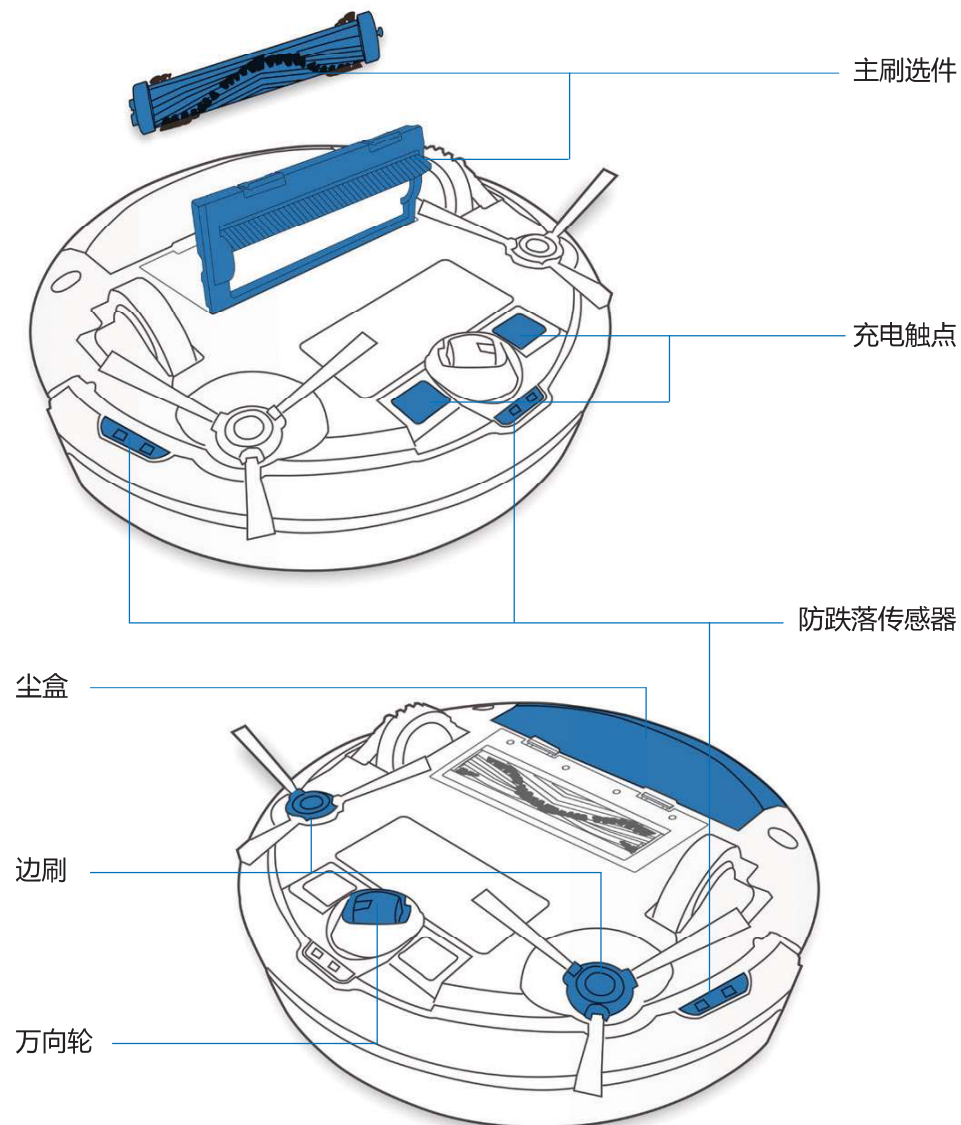
注意：图示仅供参考，可能与实际产品的外观不同。
产品设计和规格如有变更，恕不另行通知。

2.3 产品示意图

机器人

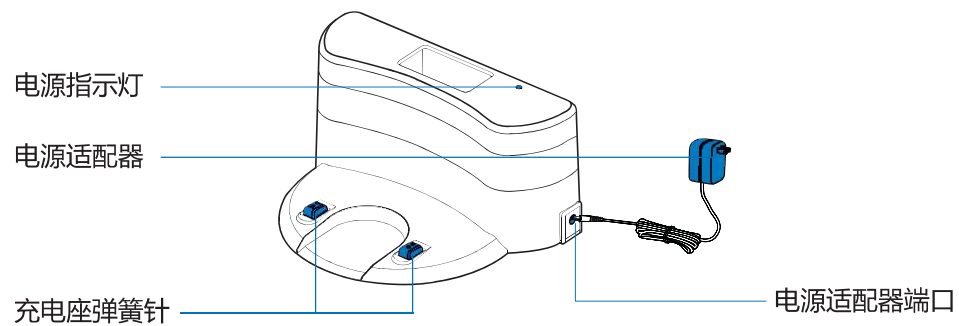


底视图

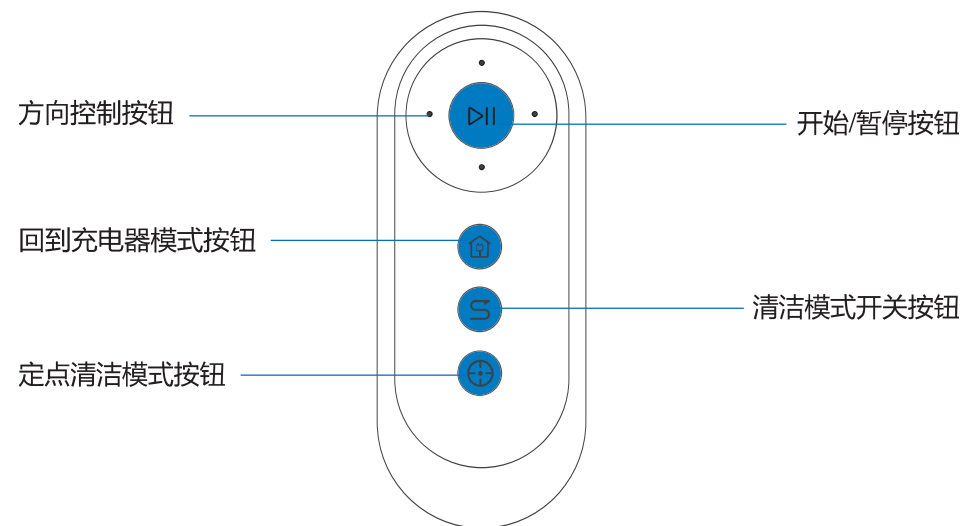


2. 包装内容

充电座

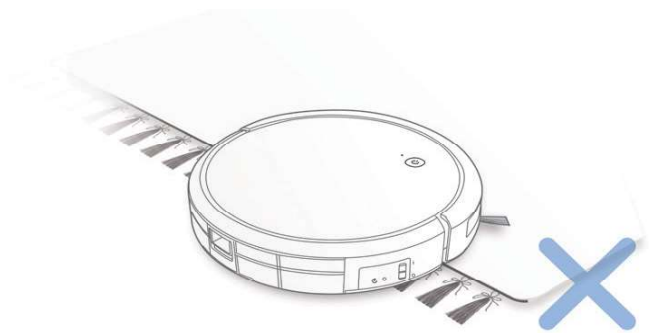


遥控器



3.1 打扫前的注意事项

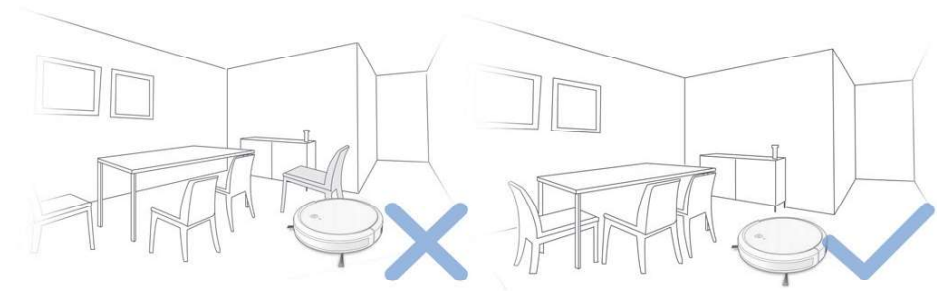
警告：请勿在潮湿或有积水的表面使用 DEEBOT。



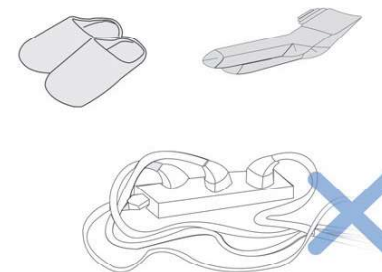
在带流苏的地毯上使用本产品前，请先将流苏藏到地毯下。



可能需要在边缘处放置一个物理屏障，以防止设备从边缘处跌落。



清理要打扫的区域，把椅子等家具摆放在适当位置。

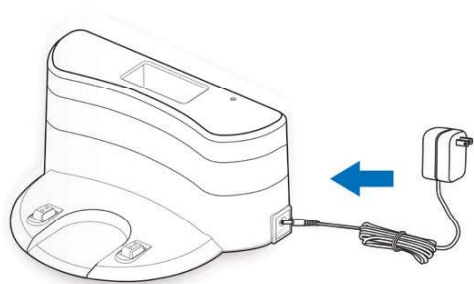


拿走地板上可能会阻碍机器人的电源线和物件。

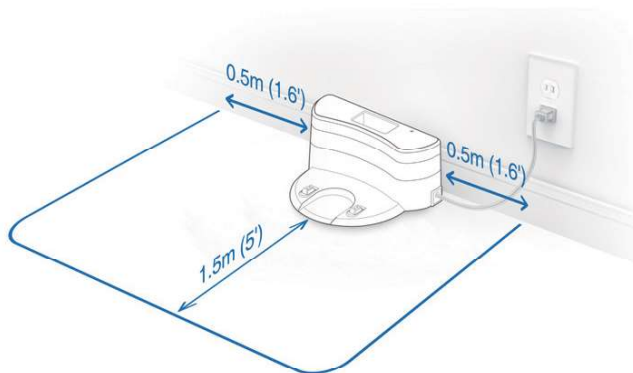
3. 操作和程序

3.2 准备工作

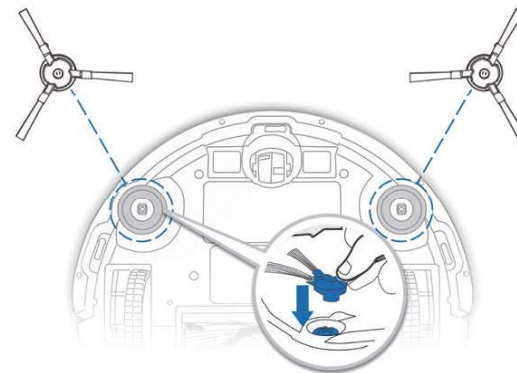
1 插入适配器



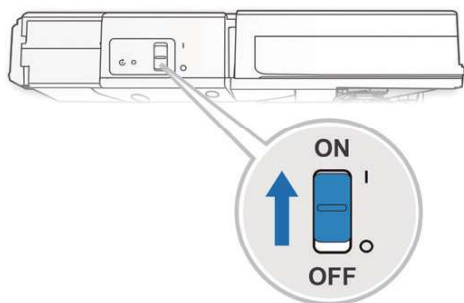
2 放好充电座



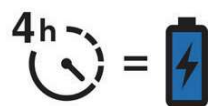
3 安装边刷



4 打开电源



5 为 DEEBOT 充电

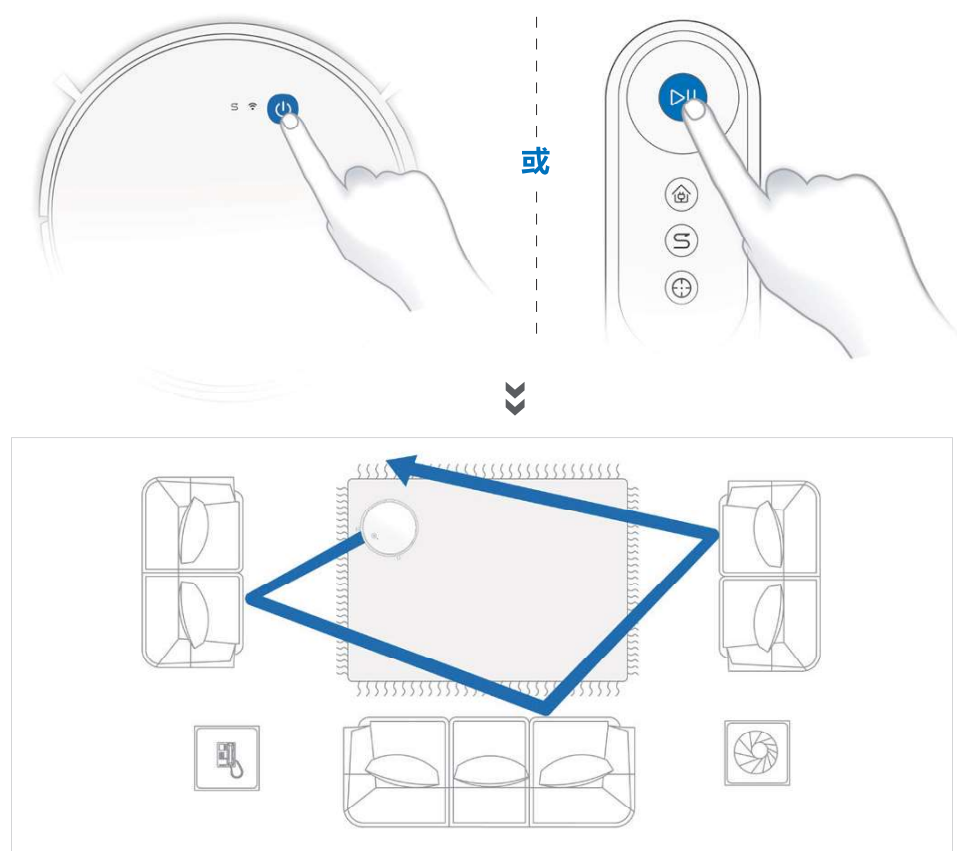


注意：当 DEEBOT 完成打扫程序或当电池电量不足时，DEEBOT 会自动返回充电座进行充电。

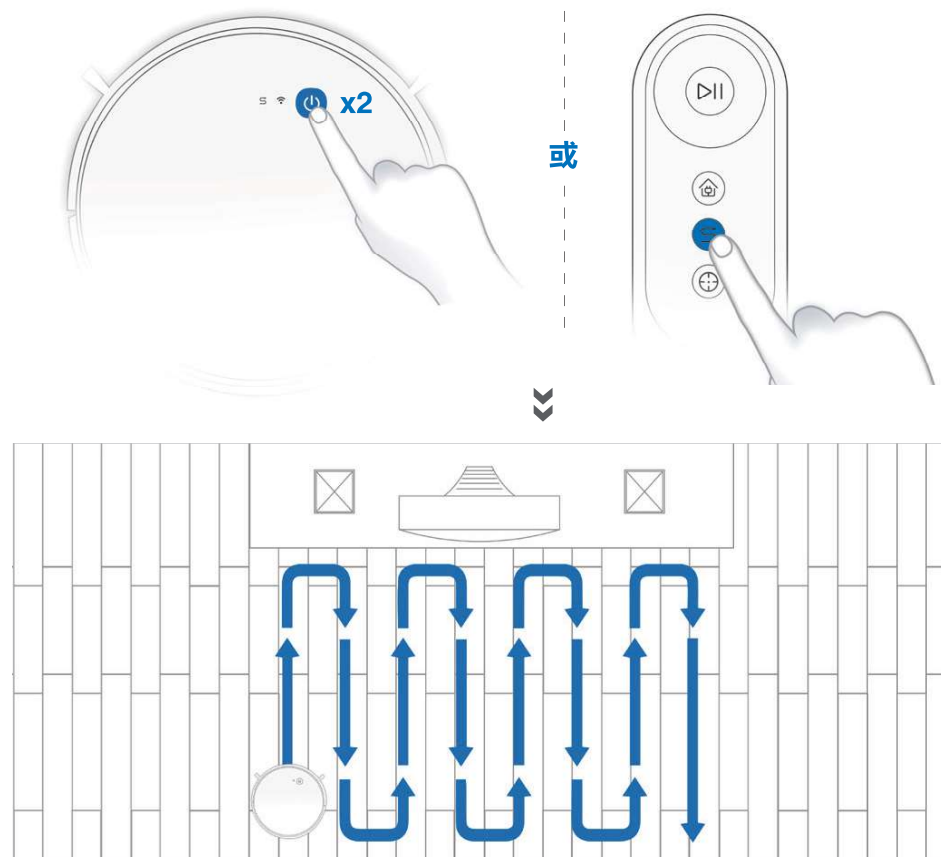
3.3 选择清洁模式

1 自动清洁模式

将默认选择**随机清洁模式**（已针对地毯优化）。



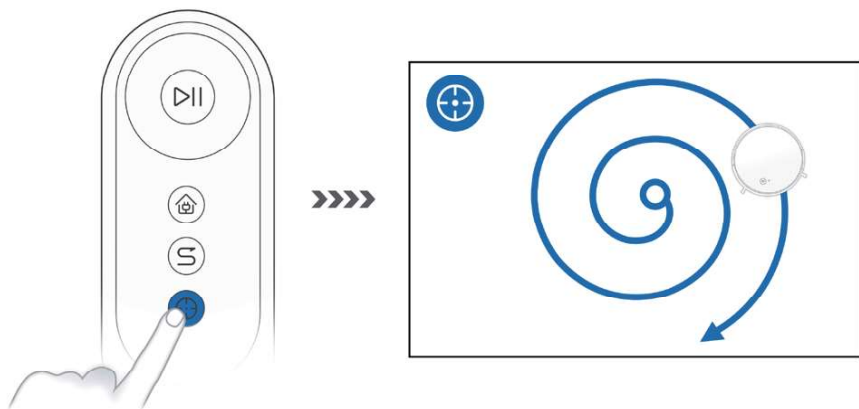
要切换到**程序化清洁模式**（已针对硬地板优化）或要在这两种模式之间切换，请执行以下操作：



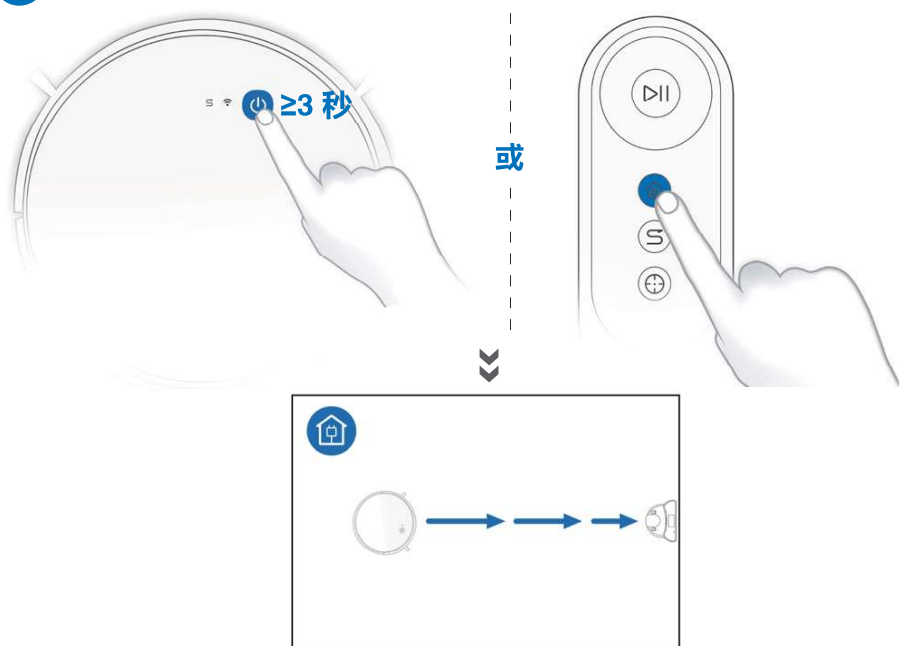
注意：除非 DEEBOT 已经暂停或正在充电，否则无法切换清洁模式。切换清洁模式后，DEEBOT 会开始执行新的清洁程序。启动“程序化清洁模式”后，S 将会点亮。

3. 操作和程序

2 定点清洁模式 (少于 3 分钟)



3 返回充电座



上述所有功能均可通过应用程序启用。下载 ECOVACS 应用程序即可访问更多功能，包括沿边清洁、预约清洁等



Q ECOVACS HOME

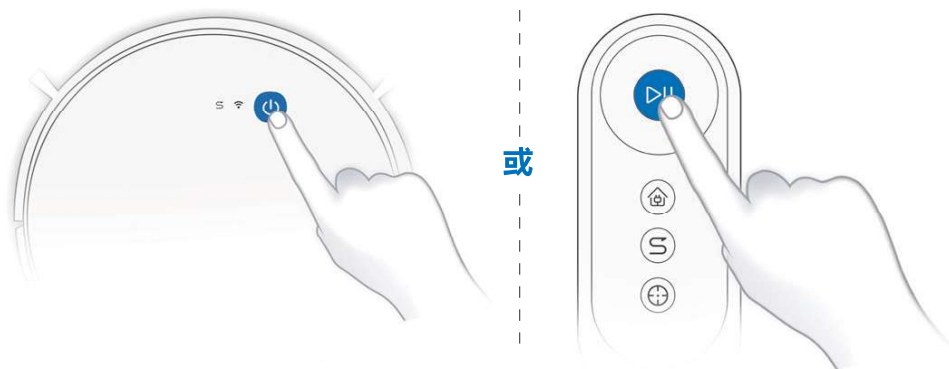


✓ iOS 9.0 or later

✓ Android 4.0 or later

3.4 暂停、唤醒、关机

1 暂停

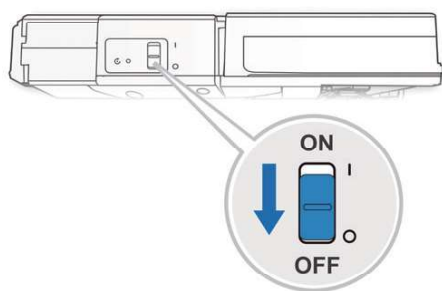


注意：机器人在暂停几分钟后，控制面板会停止发光。按下主机上的自动模式按钮可唤醒机器人。

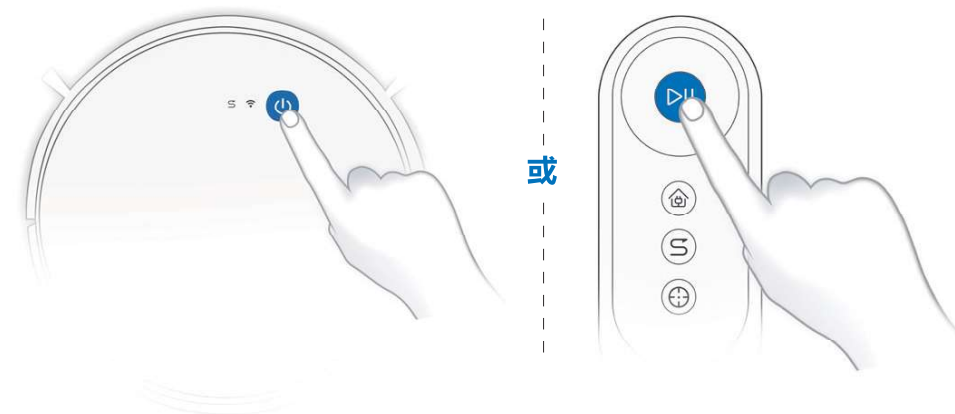
2 唤醒



3 关机



注意：DEEBOT 未在工作时，建议保持开机状态并为其充电。

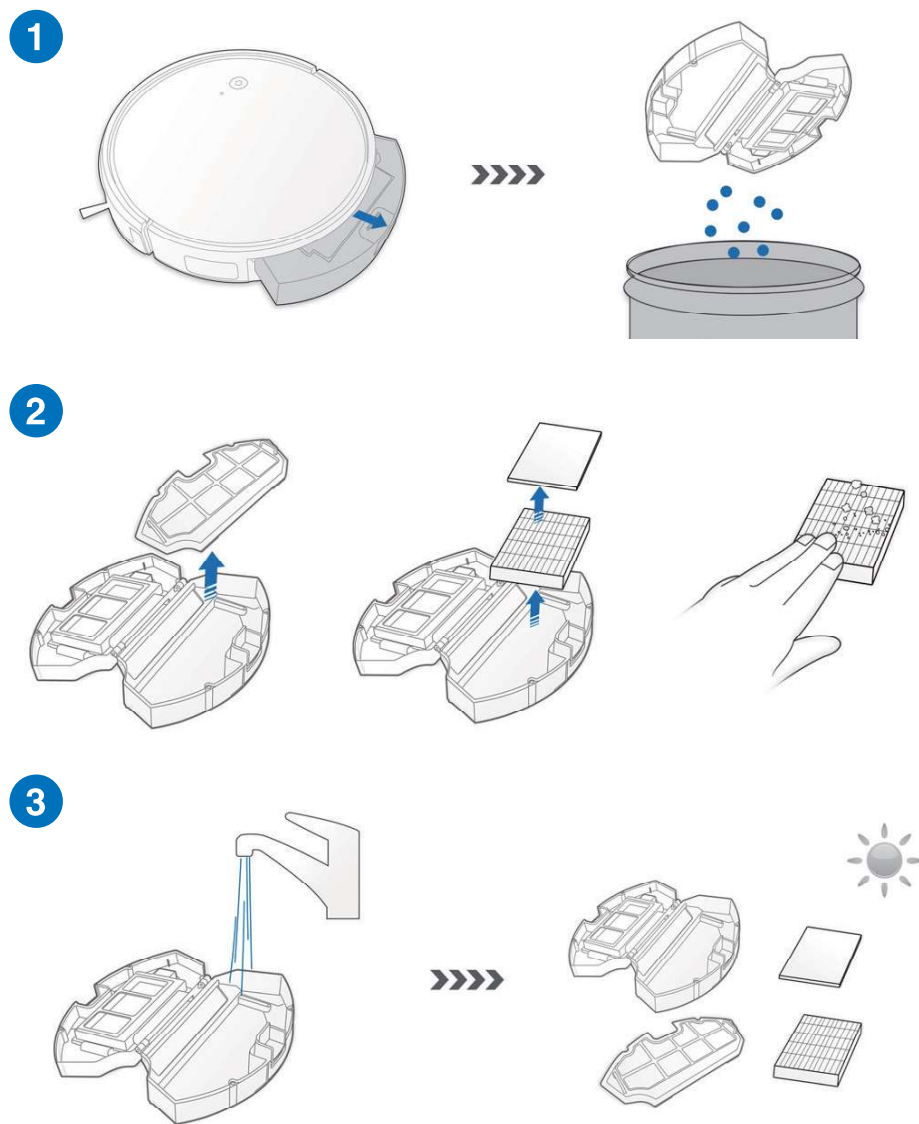
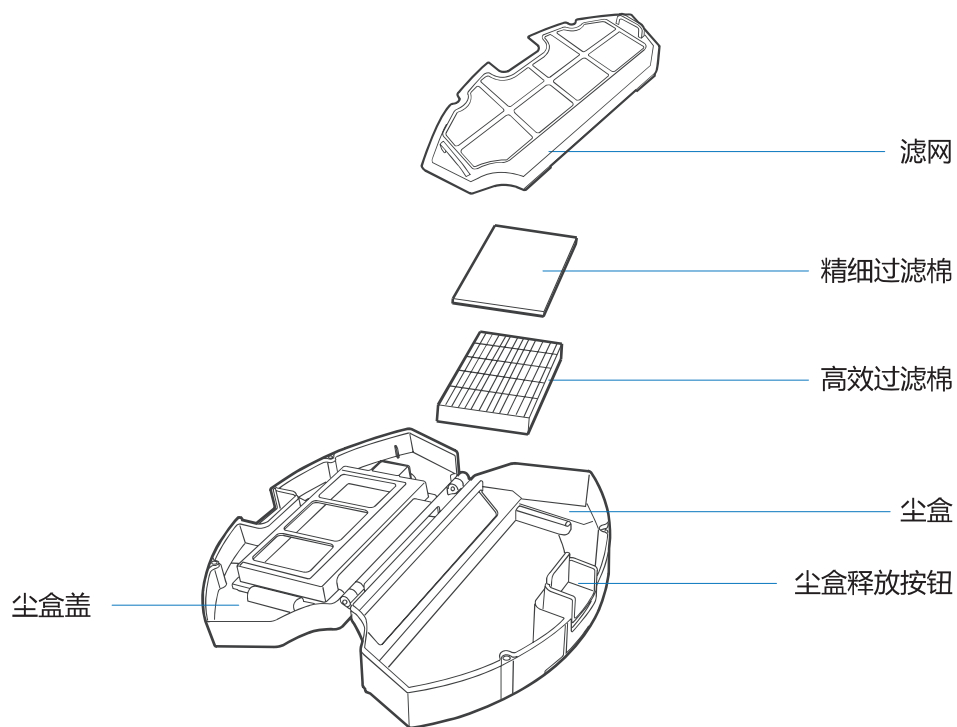


4. 维护

在对 DEEBOT 进行清洁和维护之前，先将机器人关机，并拔下充电座。

4.1 尘盒和滤材

尘盒

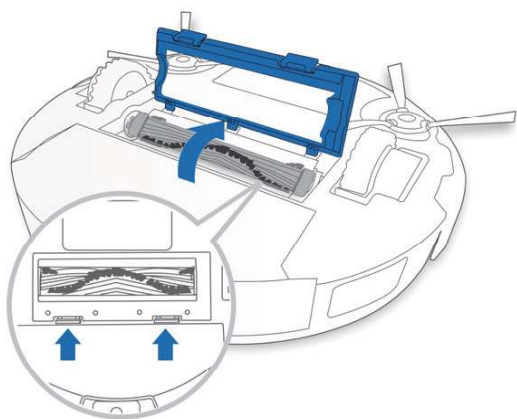


4.2 主刷和边刷

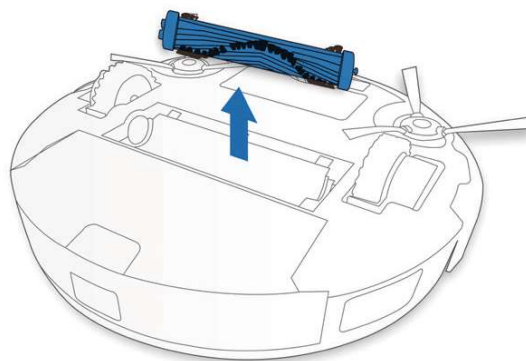
注意：本产品随附多功能清洁工具，便于进行维护。该清洁工具较锋利，请小心存放。

主刷

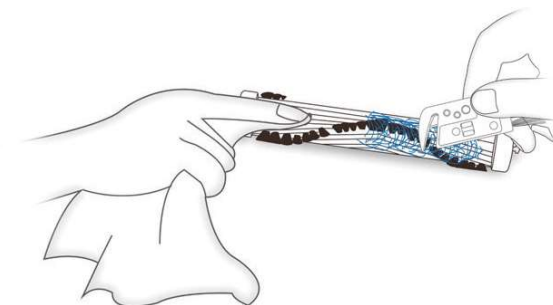
1



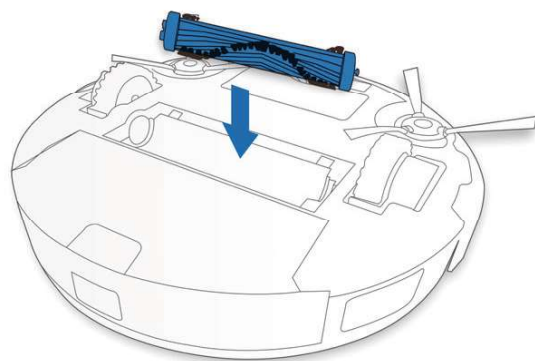
2



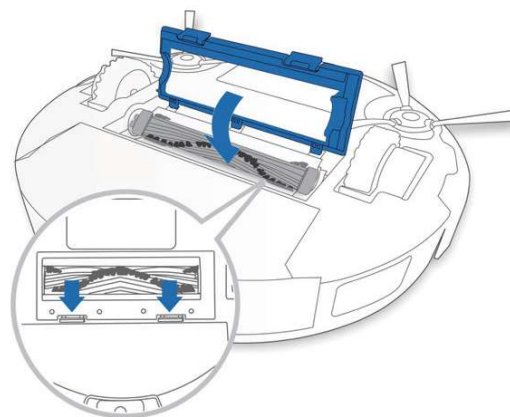
3



4



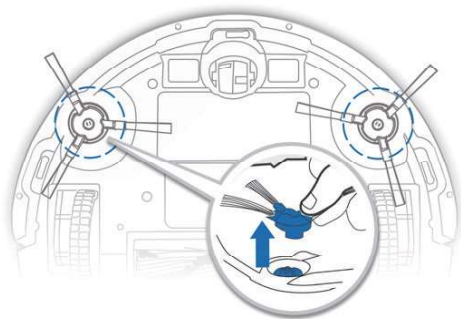
5



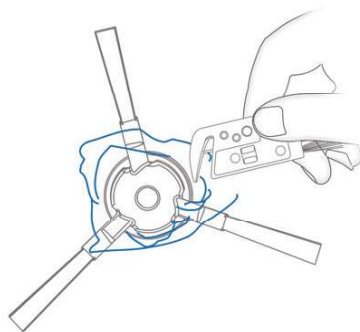
4. 维护

边刷

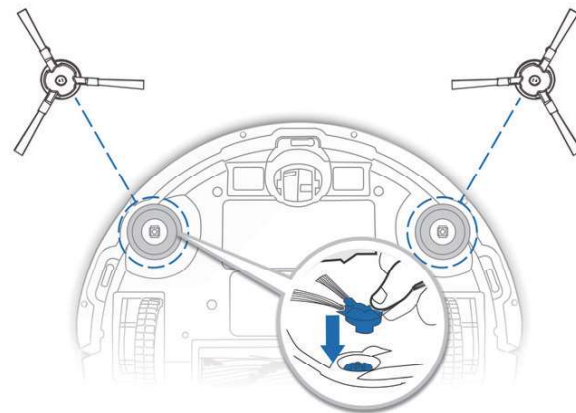
1



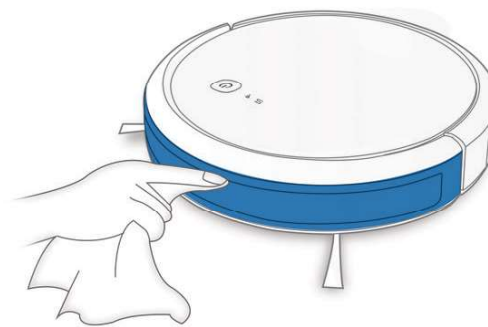
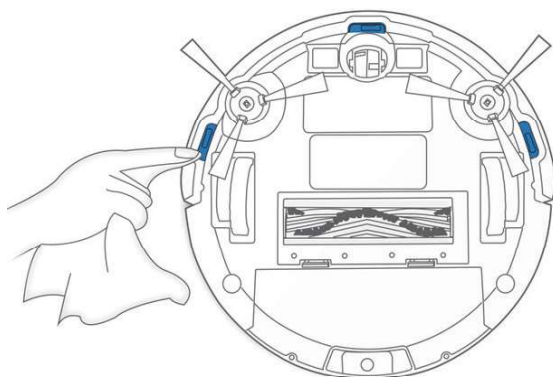
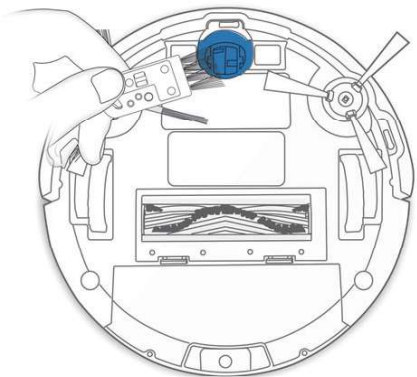
2



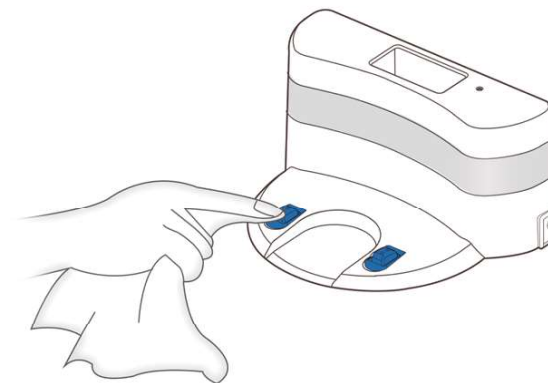
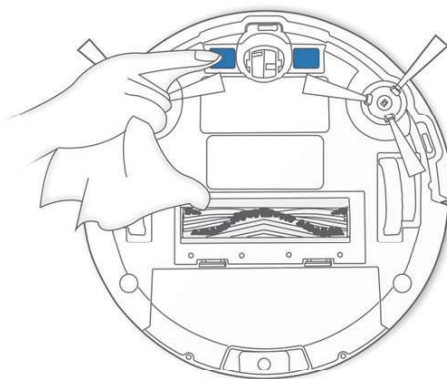
3



4.3 其他组件



注意：清洁机器人的充电触点和充电座弹簧针之前，先将机器人关机，并拔下充电座。



4.4 定期维护

为确保 DEEBOT 维持最高的运行性能，请参照下表定期进行维护并更换零部件：

机器人零部件	维护频率	更换频率
边刷	每 2 周一次	每 3 到 6 个月一次
主刷	每周一次	每 6 到 12 个月一次
海绵滤材/高效滤材	每周一次	每 3 到 6 个月一次
万向轮 防跌落传感器 缓冲软垫 充电触点 充电座弹簧针	每周一次	/

本产品随附多功能清洁工具，便于进行维护。该清洁工具较锋利，请小心存放。

注意：科沃斯生产各种零部件及配件。有关更换零部件的更多信息，请联系客户服务。

5. 指示灯和报警声

DEEBOT 将通过报警指示灯和报警声告知所发生的错误。可通过 ECOVACS 应用程序或在线网站获取更多详细的支持信息。

指示灯

场景	指示灯
机器人正在打扫	自动模式按钮长亮白光
机器人正在充电	自动模式按钮闪烁白光
机器人电量低	自动模式按钮长亮红光
机器人发生故障	自动模式按钮闪烁红光
已启用程序化清洁模式	清洁模式开关指示灯亮起

报警声

报警声	问题	解决方案
一声	主刷或边刷缠绕。	按第 4 节“维护”所述清洁主刷或边刷。
两声	防跌落传感器故障	用布将防跌落传感器擦干净。
三声	尘盒安装不当。	先确定是否安装了尘盒，如果已安装，先把它拿出来，然后再恰当地装回去。
连续响声	机器人悬空或驱动轮缠绕。	将机器人放回地面，或轻拍缓冲软垫并按第 4 节“维护”所述清理驱动轮。

6. 故障排除

编号	故障	可能原因	解决方案
1	DEEBOT 未充电。	DEEBOT 未开机。	将 DEEBOT 开机。
		DEEBOT 没有连接到充电座。	确保机器人的充电触点已连接到充电座的弹簧针上。
		电池电量完全耗尽。	重新激活电池。将 DEEBOT 开机。用手将 DEEBOT 放在充电座上，充电 3 分钟后取下，如此重复 3 次；然后正常充电。
2	DEEBOT 无法返回充电座。	充电座未正确放置。	请参阅第 3.2 节正确放置充电座。
3	DEEBOT 在工作时卡住并停止。	DEEBOT 被地板上的物品（电线、窗帘、地毯流苏等）缠住。	DEEBOT 会尝试各种办法来摆脱束缚。如果不成功，请手动解开缠绕物并重新启动。
4	DEEBOT 还没打扫完就返回充电座。	当电池电量不足时，DEEBOT 会自动切换到“返回充电器模式”，并自行返回充电座充电。	这是正常现象。无需执行任何操作。
		工作时间因地板表面状况、房间复杂程度及选择的清洁模式而异。	这是正常现象。无需执行任何操作。

6. 故障排除

编号	故障	可能原因	解决方案
5	DEEBOT 未在预约的时间自动打扫。	时间安排功能被取消。	使用 ECOVACS 应用程序，设置 DEEBOT 在指定时间打扫。
		连续清洁功能已打开，并且 DEEBOT 刚打扫完指定打扫区。	这是正常现象。无需执行任何操作。
		DEEBOT 已关机。	将 DEEBOT 开机。
		机器人的电池电量不足。	使 DEEBOT 保持开机状态并连接到充电座，确保它有足够电量能随时投入工作。
		机器人的吸入口被堵塞和/或其部件中有碎屑。	将 DEEBOT 关机，清理尘盒，然后翻转机器人。如第 4 节所述，清理机器人的吸入口、边刷和主刷。
6	DEEBOT 并未打扫整个区域。	清理区地面不平整。	拿走地板上的小物件，整理清理区，然后再让 DEEBOT 开始打扫。
7	DEEBOT 无法连接到家用 Wi-Fi 网络。	输入的家用 Wi-Fi 用户名或密码错误。	请输入正确的家用 Wi-Fi 用户名和密码。
		DEEBOT 未在家用 Wi-Fi 信号的覆盖范围内。	确保 DEEBOT 位于家用 Wi-Fi 信号的覆盖范围内。
		DEEBOT 尚未准备好就开始了网络设置。	打开电源开关。按下重置按钮 3 秒钟。当 DEEBOT 播放音乐并且 Wi-Fi 指示灯缓慢闪烁时，表示 DEEBOT 已经准备好进行网络设置。
		您的智能手机的操作系统需要更新。	更新智能手机的操作系统。ECOVACS 应用程序可运行于 iOS 9.0 及以上版本、Android 4.0 及以上版本。

7. 技术规格

型号	DO3G		
工作电压	14.4V DC	额定功率	25W
充电座			
额定输入电压	19V DC	额定输出电流	0.6A
电源适配器型号	YJS015F-1900600B (HK) YJS015F-1900600T (TW) YJS015F-1900600A (AU) YJS015F-1900600TH (TH) DK18-190060H-B (MY/SG)		
额定输入电压	100-240V AC	额定输入电流	0.5A
额定输出电压	19V DC	额定输出电流	0.6A
遥控器型号	RC1633A	输入电压	3V DC
电池	2600mAh 锂电池		

注意：为持续进行产品改进，技术和设计规格可能会更改。

Tahniah atas pembelian ECOVACS ROBOTICS DEEBOT! Kami berharap produk ini dapat memberi anda kepuasan yang berpanjangan. Kami percaya pembelian robot baru ini akan membantu mengekalkan kebersihan rumah anda dan memberi anda lebih banyak masa yang berkualiti untuk melakukan perkara lain.

Live Smart. Enjoy Life.

Jika anda menghadapi situasi yang belum ditangani dengan baik dalam Manual Arahannya ini, sila hubungi Pusat Perkhidmatan Pelanggan kami untuk bantuan juruteknik bagi mengatasi masalah khusus atau soalan anda.

Untuk maklumat lanjut, sila lawati laman web rasmi ECOVACS ROBOTICS: **www.ecovacs.com**

Syarikat berhak untuk melakukan perubahan teknologi dan/atau reka bentuk produk ini untuk penambahbaikan yang berterusan.

Terima kasih kerana memilih DEEBOT!

Kandungan

1. Arahan Keselamatan Penting.....	68
2. Kandungan Pakej	73
3. Pengendalian dan Pemrograman	76
4. Penyelenggaraan.....	81
5. Lampu Penunjuk dan Bunyi Penggera.....	85
6. Penyelesaian Masalah.....	86
7. Spesifikasi Teknikal	89

1. Arahan Keselamatan Penting

Apabila menggunakan perkakas elektrik, langkah berjaga-jaga asas haruslah sentiasa diikuti, termasuklah yang berikut:

**BACA SEMUA ARAHAN SEBELUM MENGGUNAKAN PERKAKAS INI.
SIMPAN ARAHAN INI**

1. Perkakas ini boleh digunakan oleh kanak-kanak berumur 8 tahun ke atas dan orang dengan ketidakupayaan fizikal, deria atau mental, atau tidak mempunyai pengalaman dan pengetahuan yang mencukupi jika mereka telah diberikan pemantauan dan arahan berkaitan penggunaan Perkakas dalam cara yang selamat dan memahami bahaya yang terlibat. Kanak-kanak tidak dibenarkan bermain dengan Perkakas. Pembersihan dan penyelenggaraan pengguna tidak boleh dibuat oleh kanak-kanak tanpa pengawasan.
2. Kosongkan kawasan yang akan dibersihkan. Alihkan kord kuasa dan objek kecil dari permukaan lantai yang boleh melilit Perkakas. Masukkan rumbai permaidani ke bahagian bawah permaidani dan angkat item seperti langsir dan alas meja dari lantai.
3. Jika terdapat penurunan di kawasan pembersihan disebabkan tangga, anda perlu memastikan Perkakas dapat mengesan tangga tanpa jatuh ke bawah tangga. Anda mungkin perlu meletakkan halangan fizikal di pinggir untuk memastikan unit tidak terjatuh. Pastikan halangan fizikal tidak menyebabkan tersadung.
4. Hanya gunakan sebagaimana yang diterangkan dalam manual ini. Hanya gunakan aksesori yang disyorkan atau dijual oleh pengeluar.
5. Sila pastikan voltan bekalan kuasa anda sepadan dengan voltan kuasa yang ditandakan pada Dok Pengecasan.

1. Arahan Keselamatan Penting

6. Untuk penggunaan DI DALAM BANGUNAN SAHAJA. Jangan gunakan Perkakas di luar bangunan, kawasan komersial atau kawasan industri.
7. Bateri yang tidak boleh dicas semula adalah dilarang. Untuk maklumat bateri, sila rujuk bahagian Spesifikasi.
8. Jangan gunakan Perkakas tanpa dipasangkan bekas habuk dan/atau penapis.
9. Jangan gunakan Perkakas di kawasan yang dinyalakan lilin atau terdapat objek rapuh.
10. Jangan gunakan Perkakas di persekitaran yang terlampau panas atau sejuk (di bawah $-5^{\circ}\text{C}/23^{\circ}\text{F}$ atau melebihi $40^{\circ}\text{C}/104^{\circ}\text{F}$).
11. Jauhkan rambut, pakaian yang longgar, jari dan semua bahagian badan dari sebarang bukaan dan bahagian yang bergerak.
12. Jangan gunakan Perkakas di dalam bilik yang terdapat bayi atau kanak-kanak sedang tidur.
13. Jangan gunakan Perkakas pada permukaan yang basah atau permukaan dengan takungan air.
14. Jangan biarkan Perkakas menyedut objek besar seperti batu, kepingan kertas yang besar atau sebarang benda yang boleh menyebabkan Perkakas tersumbat.
15. Jangan gunakan Perkakas untuk menyedut bahan mudah terbakar seperti petrol, toner mesin pencetak atau fotokopi atau menggunakannya di kawasan yang terdapat benda tersebut.
16. Jangan gunakan Perkakas untuk menyedut apa-apa yang terbakar atau berasap, seperti rokok, mancis, abu panas atau apa-apa yang boleh menyebabkan kebakaran.
17. Jangan masukkan objek ke dalam saluran masuk habuk. Jangan gunakan Perkakas jika saluran masuk habuk tersekat. Pastikan saluran masuk bebas daripada habuk, gentian lembut, rambut atau apa-apa benda yang boleh mengurangkan aliran udara.

1. Arahan Keselamatan Penting

18. Berhati-hati supaya tidak merosakkan kord kuasa. Jangan tarik atau angkat Perkakas atau Dok Pengecasan dengan kord kuasanya, gunakan kord kuasa sebagai pemegang, tutup pintu pada kord kuasa atau tarik kord kuasa pada bahagian sisi atau penjuru yang tajam. Jangan gerakkan Perkakas di atas kord kuasa. Jauhkan kord kuasa daripada permukaan yang panas.
19. Jika kord kuasa rosak, ia mesti digantikan oleh pengeluar atau ejen perkhidmatannya bagi mengelakkan bahaya.
20. Jangan gunakan Dok Pengecasan jika ia rosak.
21. Jangan gunakannya dengan kord kuasa atau bekas yang rosak. Jangan gunakan Perkakas atau Dok Pengecasan jika ia tidak berfungsi dengan betul, terjatuh, rosak, ditinggalkan di luar atau bersentuhan dengan air. Perkakas mesti dibaiki oleh pengeluar atau ejen perkhidmatannya bagi mengelakkan bahaya.
22. MATIKAN suis kuasa sebelum membersihkan atau menyenggara Perkakas.
23. Palam mesti ditanggalkan daripada bekas sebelum membersihkan atau menyenggara Dok Pengecasan.
24. Keluarkan Perkakas dari Dok Pengecasan dan MATIKAN suis kuasa Perkakas sebelum mengeluarkan bateri untuk pelupusan Perkakas.
25. Bateri mesti dikeluarkan dan dilupuskan mengikut undang-undang dan peraturan tempatan sebelum pelupusan Perkakas.
26. Sila lupuskan bateri yang telah digunakan mengikut undang-undang dan peraturan tempatan.
27. Jangan bakar Perkakas walaupun Perkakas rosak teruk. Bateri boleh meletup dalam api.
28. Apabila Dok Pengecasan tidak digunakan untuk tempoh masa yang lama, sila cabut palamnya.

1. Arahan Keselamatan Penting

29. Perkakas mesti digunakan mengikut arahan dalam Manual Arahan ini. ECOVACS ROBOTICS tidak boleh dipertanggungjawabkan atau bertanggungjawab terhadap sebarang kerosakan atau kecederaan yang disebabkan oleh penggunaan tidak betul.
30. Robot mengandungi bateri yang hanya boleh digantikan oleh orang yang berkemahiran. Untuk menggantikan atau mengeluarkan bateri, sila hubungi Perkhidmatan Pelanggan.
31. Jika robot tidak akan digunakan untuk tempoh masa yang lama, pastikan robot dicas sepenuhnya dan MATIKAN kuasa untuk penyimpanan dan cabut palam Dok Pengecasan.
- 32. AMARAN:** Bagi tujuan pengecasan semula bateri, hanya guna unit bekalan boleh dipasang tanggal YJS015F-1900600B (HK)/YJS015F-1900600T (TW)/YJS015F-1900600A (AU)/YJS015F-1900600TH (TH)/DK18-190060H-B (MY/SG) yang disediakan dengan perkakas ini.
33. Alat Kawalan Jauh diprapasang dua bateri AAA yang tidak boleh dicas semula. Untuk menggantikan bateri Alat Kawalan Jauh, sila balikkan Alat Kawalan Jauh, tekan dan alih keluar Penutup Bateri. Keluarkan bateri dan masukkan bateri baru dengan kutub yang betul. Pasang semula Penutup Bateri.
34. Bateri tidak boleh dicas semula tidak boleh dicas semula.
35. Jenis bateri yang berbeza atau baru dan yang telah digunakan tidak boleh dicampur.
36. Bateri Alat Kawalan Jauh perlu dimasukkan dengan kutub yang betul.
37. Bateri yang telah habis perlu dikeluarkan daripada perkakas dan dilupuskan dengan selamat.
38. Jika Alat Kawalan Jauh disimpan tanpa digunakan untuk tempoh yang lama, bateri harus dikeluarkan.
39. Litar terminal bekalan kuasa tidak boleh dipintas.

1. Arahan Keselamatan Penting

Untuk Negara Kesatuan Eropah (EU)



Pelupusan yang Betul bagi Produk ini

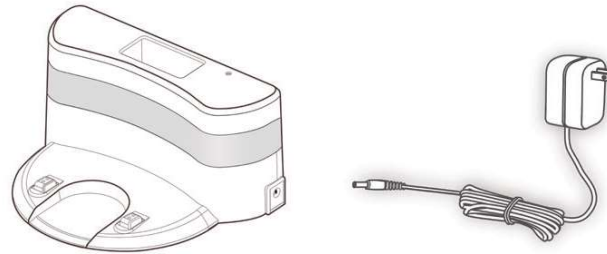
Penanda ini menunjukkan bahawa produk ini tidak boleh dilupuskan bersama-sama dengan buangan isi rumah yang lain di semua negara EU. Untuk mengelakkan kemungkinan kemudaratan terhadap persekitaran atau kesihatan manusia akibat pelupusan sisa yang tidak terkawal, sila kitar semula dengan penuh tanggungjawab untuk meningkatkan penggunaan lestari sumber bahan. Untuk mengitar semula peranti yang terpakai, sila gunakan sistem pengembalian dan pengumpulan atau hubungi penjual produk tersebut. Mereka dapat mengitar semula produk ini dengan selamat.

2. Kandungan Pakej

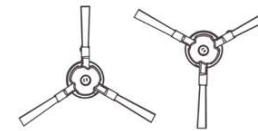
2.1 Kandungan Pakej



Robot



Dok Pengecasan + Penyesuai Kuasa



(4) Berus Sisi



Penapis Span dan Penapis Kecekapan Tinggi



Alat Kawalan Jauh dengan Bateri



Alat Pembersihan Berbilang Fungsi



Manual Arahan

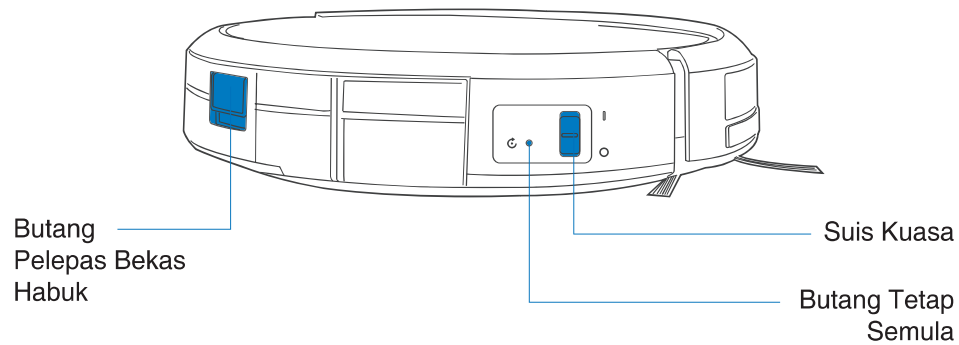
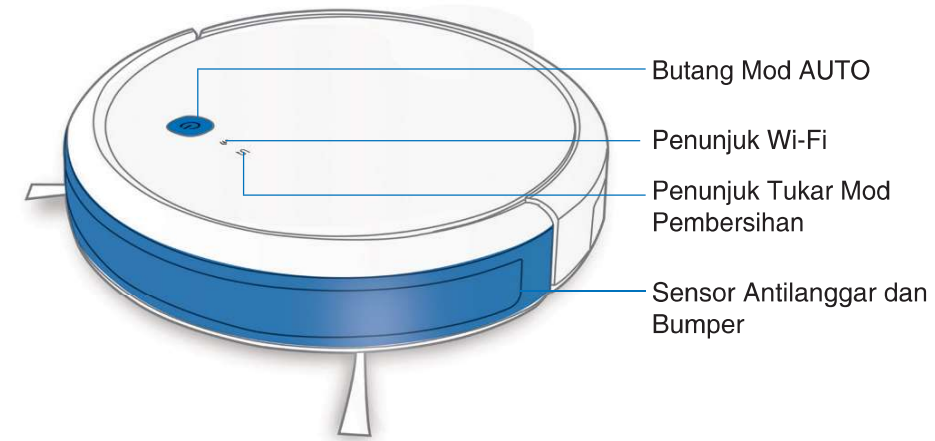


Panduan Mula Pantas

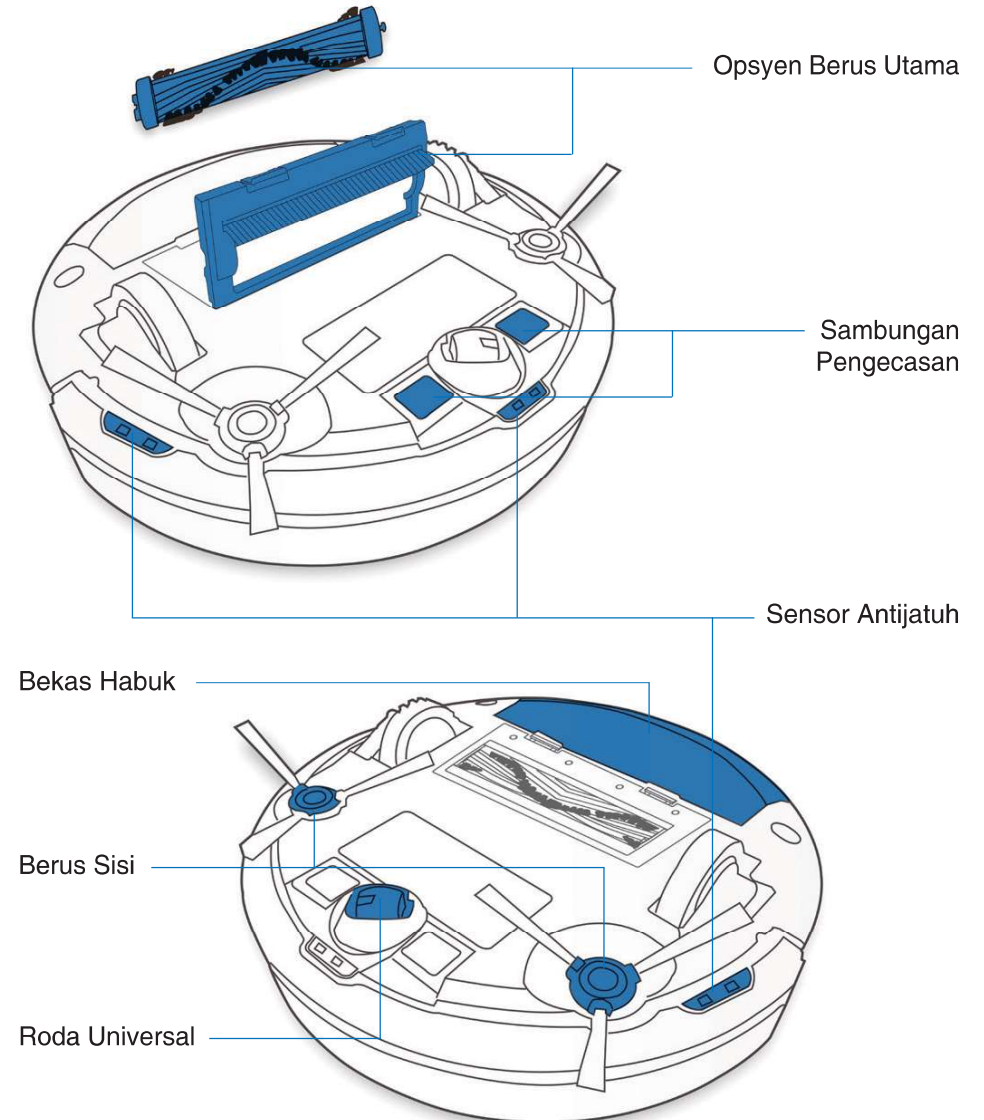
Perhatian: Rajah dan ilustrasi adalah sebagai rujukan sahaja dan boleh berbeza-beza daripada rupa produk sebenar. Reka bentuk produk dan spesifikasi adalah tertakluk pada perubahan tanpa notis.

2. Kandungan Pakej

2.3 Gambar Rajah Produk Robot

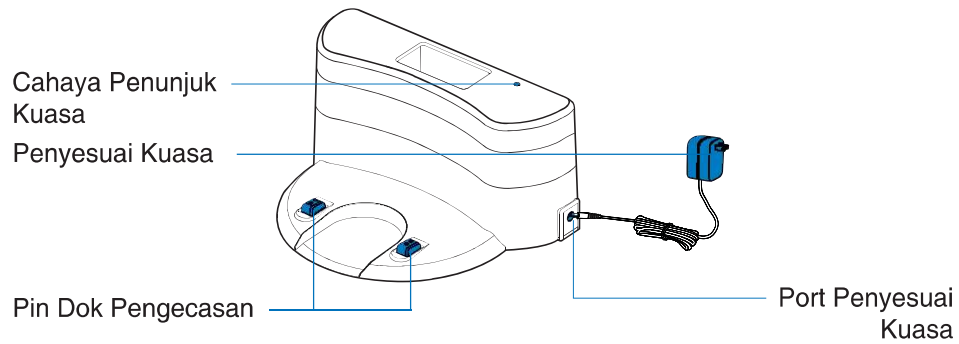


Pandangan Bahagian Bawah

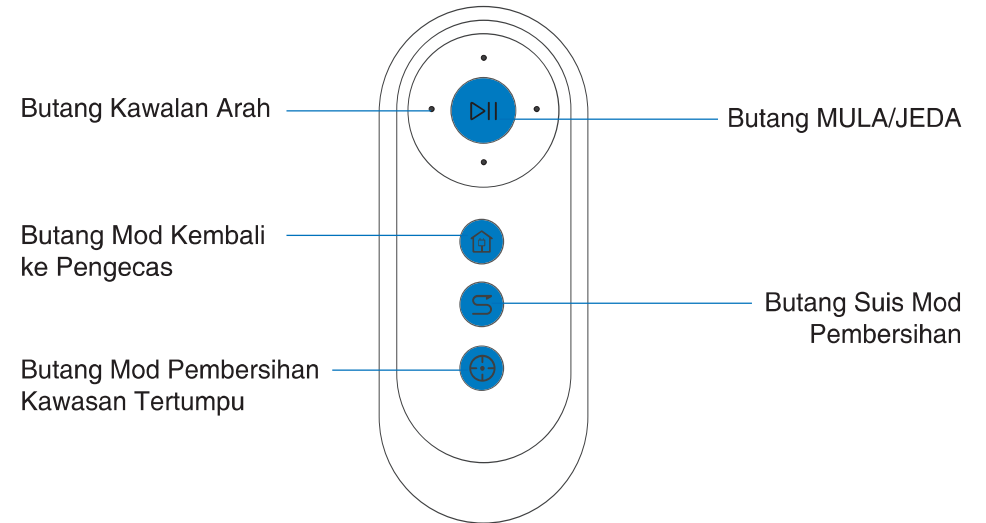


2. Kandungan Pakej

Dok Pengecasan



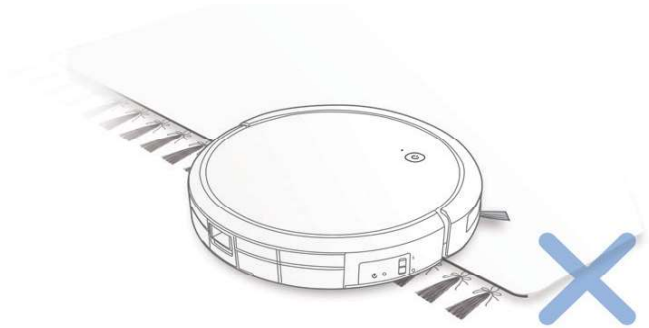
Alat Kawalan Jauh



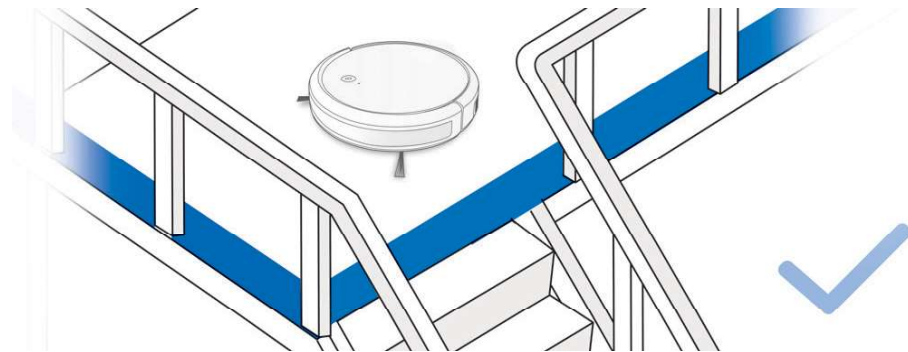
3. Pengendalian dan Pemrograman

3.1 Perhatian Sebelum Pembersihan

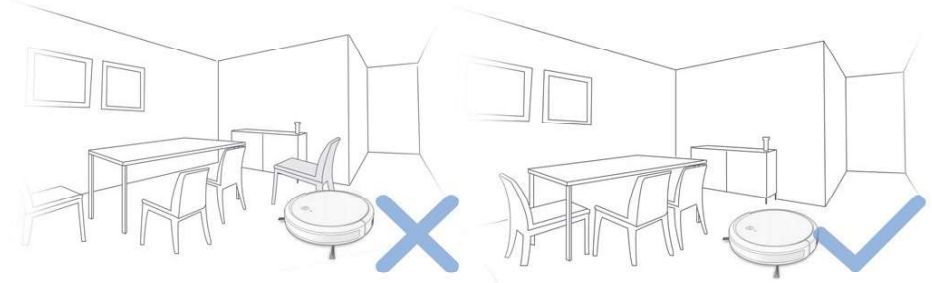
AMARAN: Jangan gunakan DEEBOT pada permukaan yang basah atau permukaan dengan takungan air.



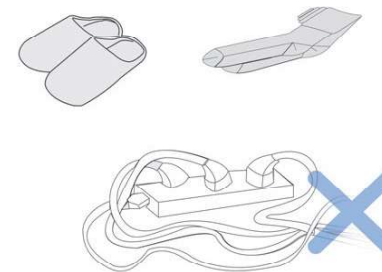
Sebelum menggunakan produk pada permaidani dengan pinggir berumbai, sila selitkan pinggir permaidani ke bawahnya.



Anda mungkin perlu meletakkan halangan fizikal di pinggir penurunan untuk mengelakkan unit daripada terjatuh.



Kemaskan kawasan yang ingin dibersihkan dengan meletakkan perabot, seperti kerusi di tempat yang sewajarnya.

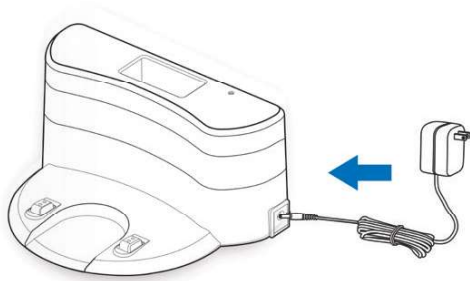


Tanggalkan kord kuasa dan objek kecil daripada lantai yang boleh menghalang robot.

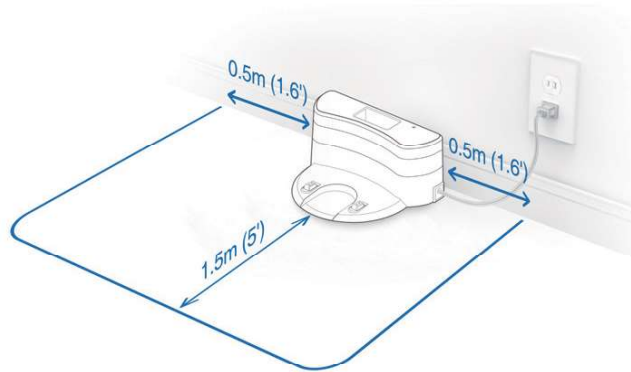
3. Pengendalian dan Pemrograman

3.2 Persediaan

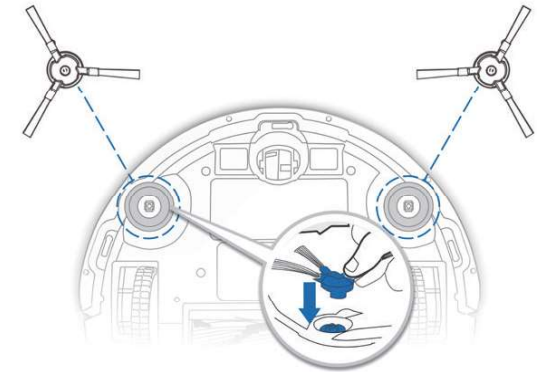
1 Palam masuk Penyesuai



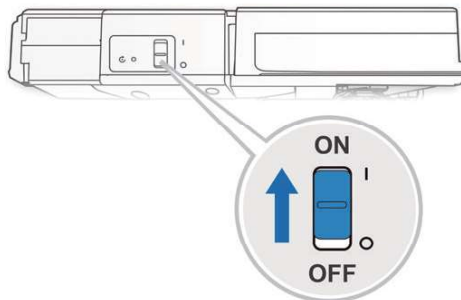
2 Peletakan Dok Pengecasan



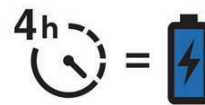
3 Memasang Berus Sisi



4 HIDUPKAN Kuasa



5 Mengecas DEEBOT



Perhatian: Apabila DEEBOT melengkapkan kitaran pembersihan atau apabila kuasa bateri semakin rendah, DEEBOT akan kembali ke Dok Pengecasan secara automatik untuk mengecas.

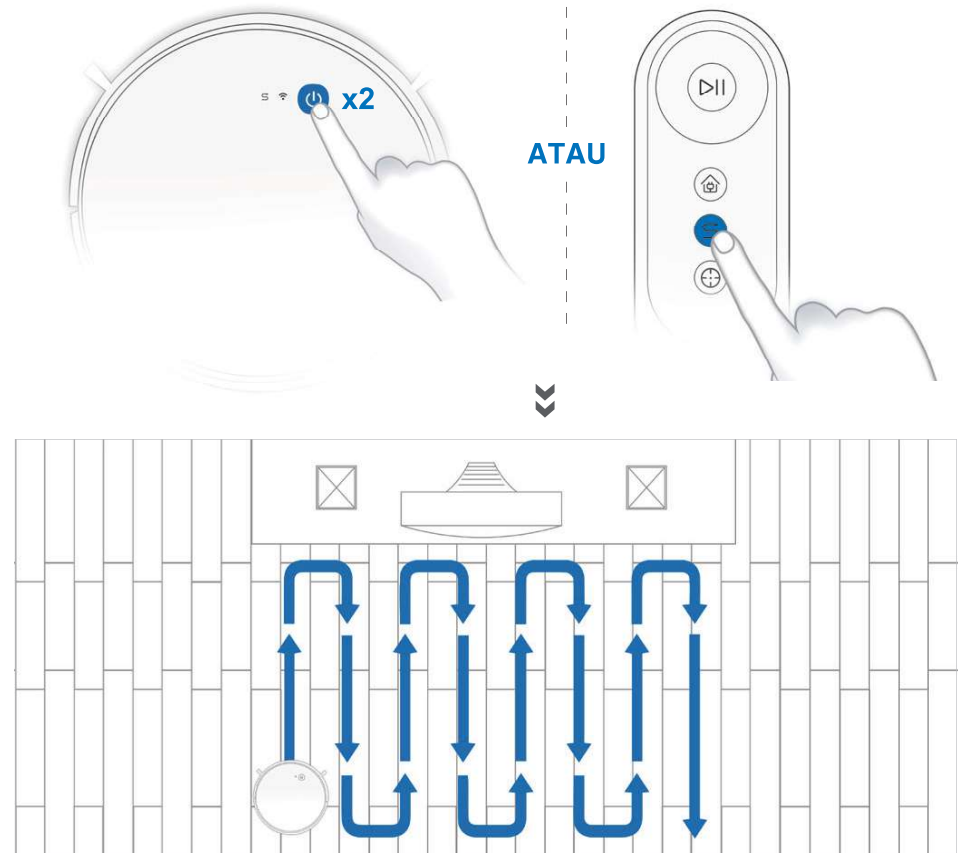
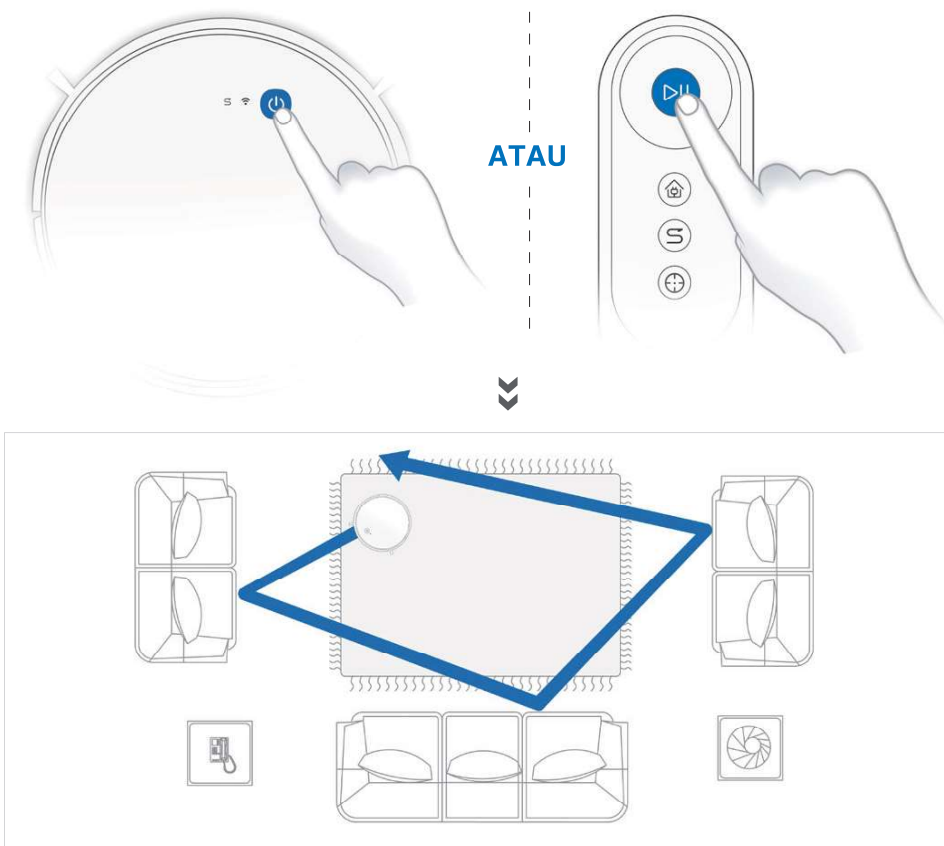
3. Pengendalian dan Pemrograman

3.3 Memilih Mod Pembersihan

1 Mod Pembersihan AUTO

A **Corak Pembersihan Rawak** (dioptimumkan untuk permaidani) akan dipilih secara lalai.

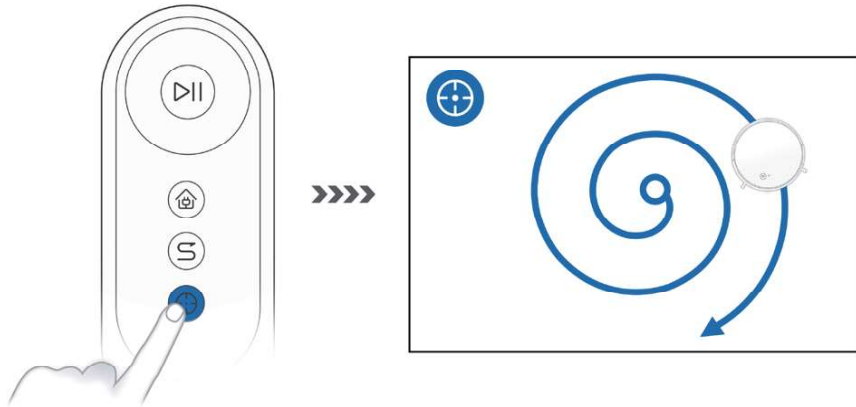
Untuk menukarkan **Corak Pembersihan Diprogramkan** (dioptimumkan untuk lantai keras) atau bertukar antara kedua-dua corak ini, lakukan tindakan berikut:



Perhatian: Corak pembersihan tidak boleh dimatikan sehingga DEEBOT dijeda atau mengecas. DEEBOT akan memulakan kitaran pembersihan baru sebaik sahaja corak pembersihan ditukar. S akan bernyala apabila Corak Pembersihan Diprogramkan didayakan.

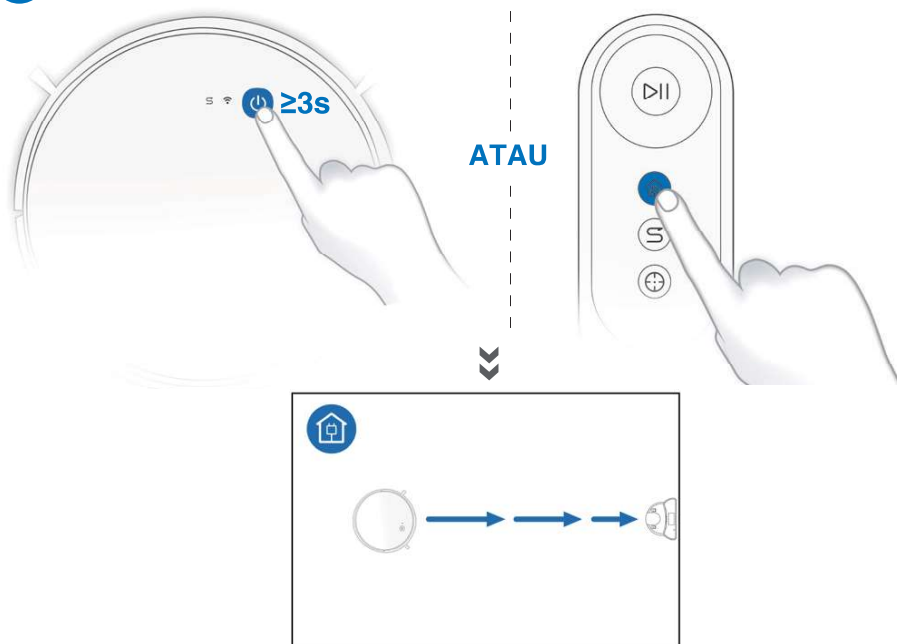
3. Pengendalian dan Pemrograman

2 Mod Pembersihan Kawasan Tertumpu (Kurang daripada 3 minit)



Semua fungsi yang dinyatakan di atas boleh didayakan dalam App. Muat turun ECOVACS App untuk mencapai lebih banyak ciri termasuklah Pembersihan Tepi, Pembersihan Dijadualkan, dll.

3 Kembali ke Dok Pengecasan



Q ECOVACS HOME



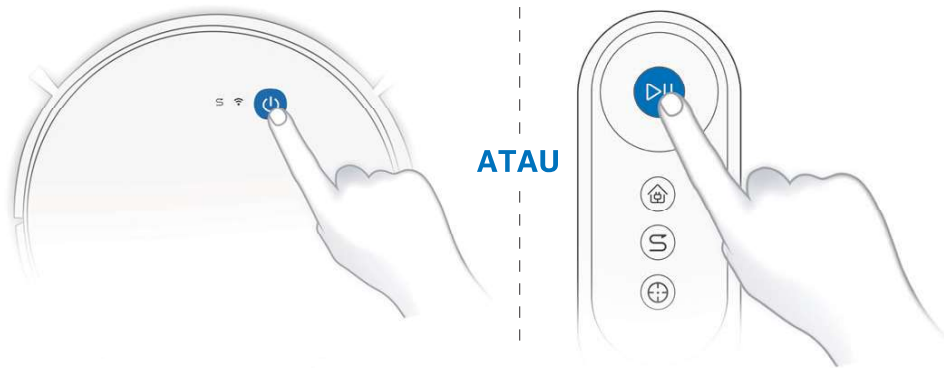
✓ iOS 9.0 or later

✓ Android 4.0 or later

3. Pengendalian dan Pemrograman

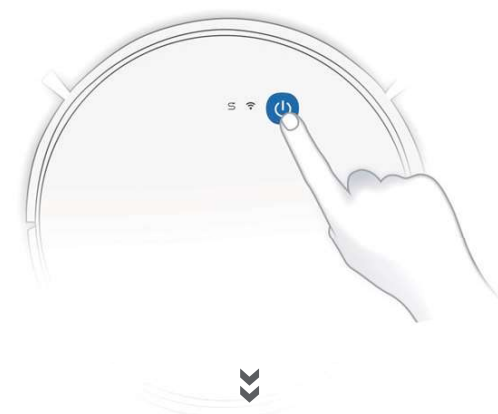
3.4 Jeda, Bangun, Matikan Kuasa

1 Jeda

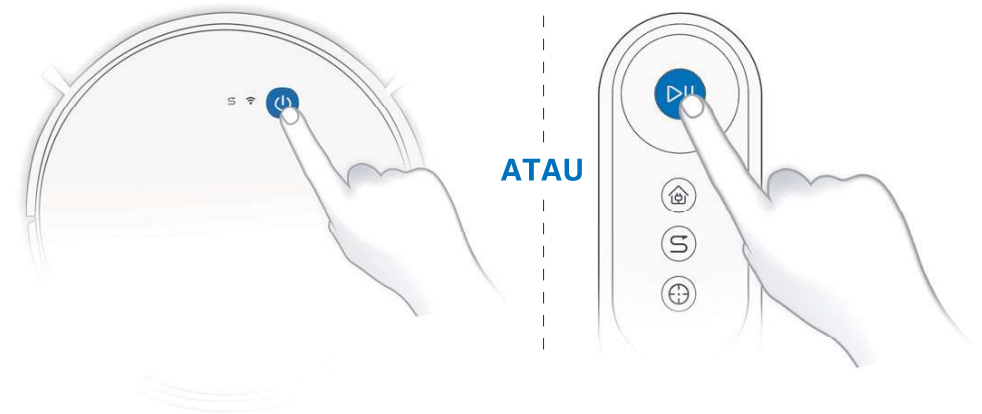


Perhatian: Alat Panel Kawalan robot berhenti menyala apabila robot dijeda lebih daripada beberapa minit. Tekan Butang Mod AUTO pada DEEBOT untuk membangunkan robot.

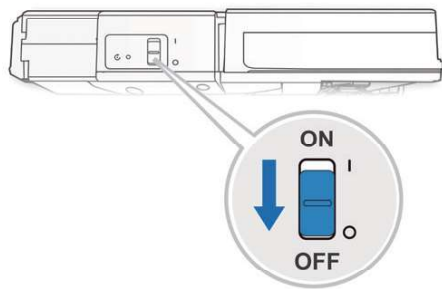
2 Bangunkan



Tekan butang AUTO pada DEEBOT untuk membangunkannya



3 MATIKAN Kuasa



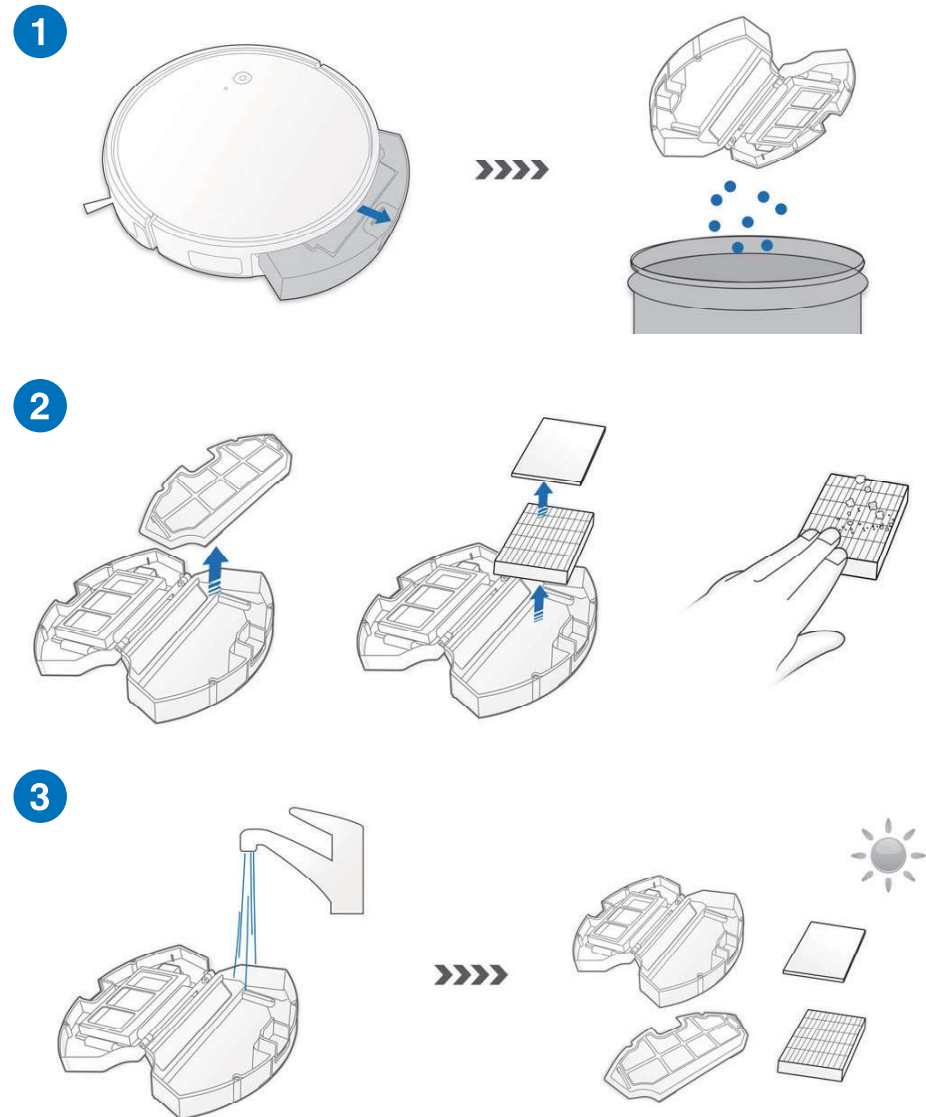
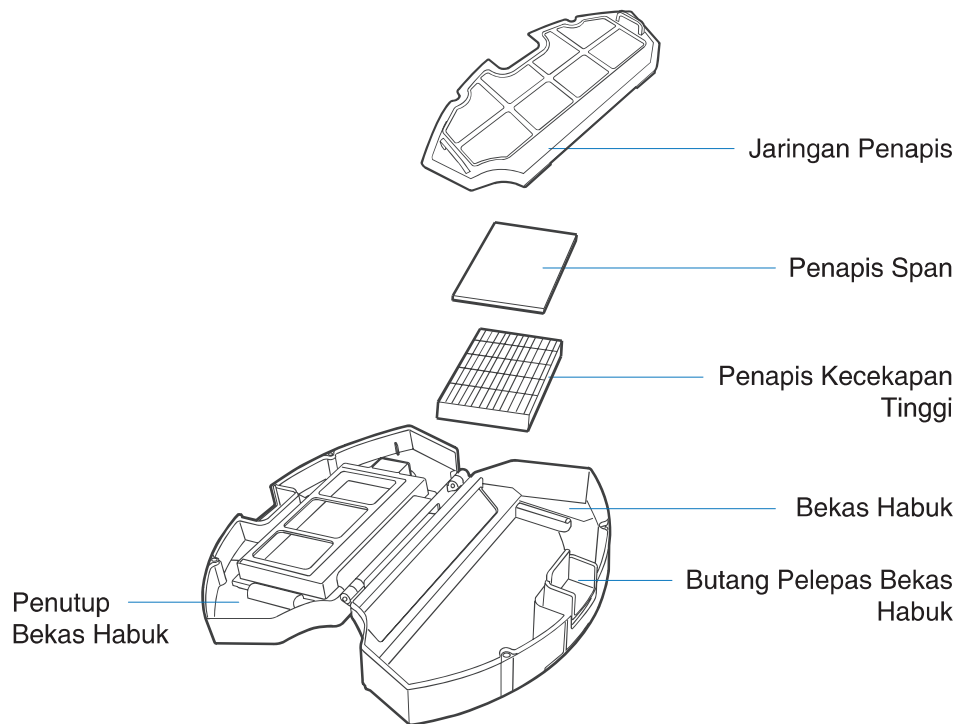
Perhatian: Apabila DEEBOT tidak digunakan, anda disyorkan untuk mengekalkan DEEBOT DIHIDUPKAN dan dicas.

4. Penyelenggaraan

Sebelum melakukan pembersihan dan penyelenggaraan pada DEEBOT, MATIKAN robot dan cabut palam Dok Pengecasan.

4.1 Bekas Habuk dan Penapis

Bekas Habuk



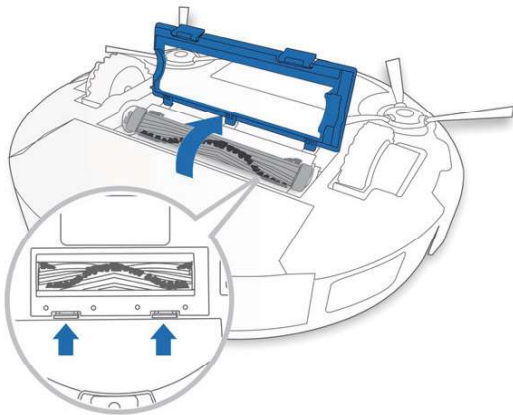
4. Penyelenggaraan

4.2 Berus Utama dan Berus Sisi

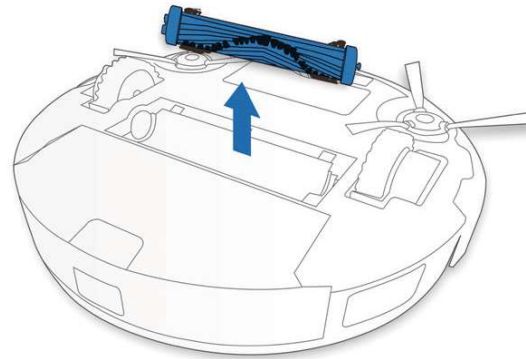
Perhatian: Alat Pembersihan Berbilang Fungsi disediakan untuk memudahkan penyelenggaraan. Kendalikannya dengan berhati-hati, alat pembersihan ini mempunyai bahagian tepi yang tajam.

Berus Utama

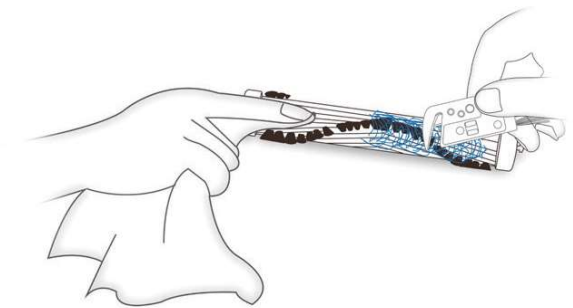
1



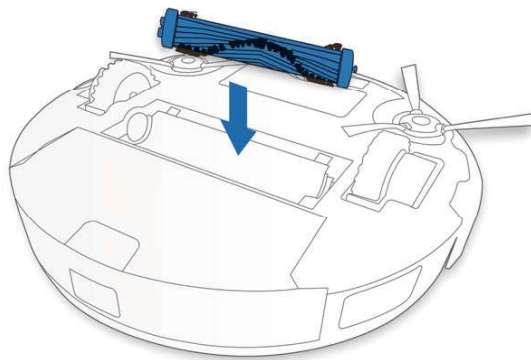
2



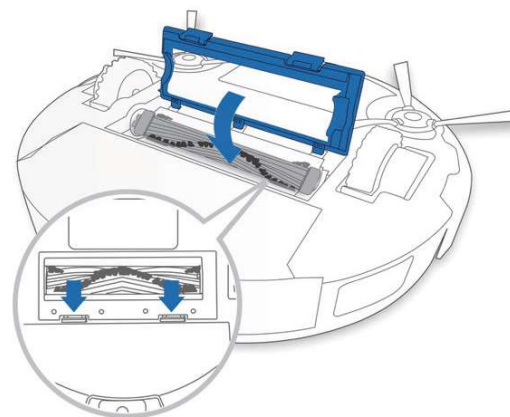
3



4



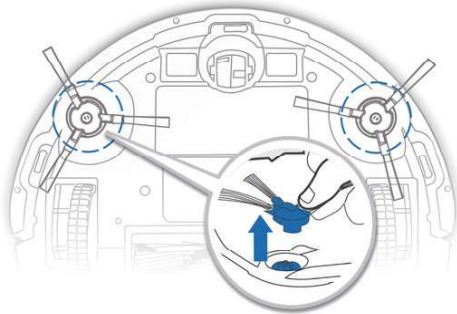
5



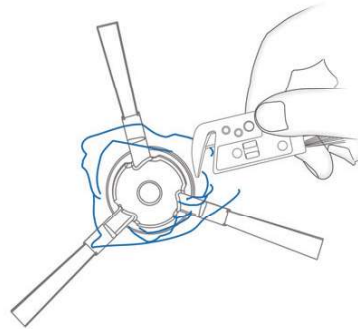
4. Penyelenggaraan

Berus Sisi

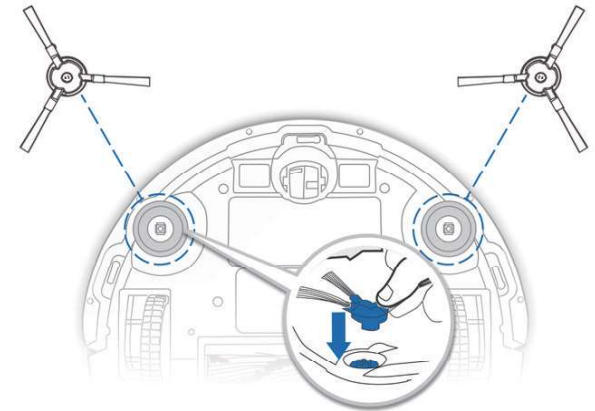
1



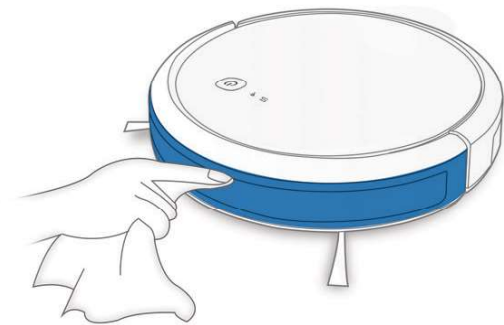
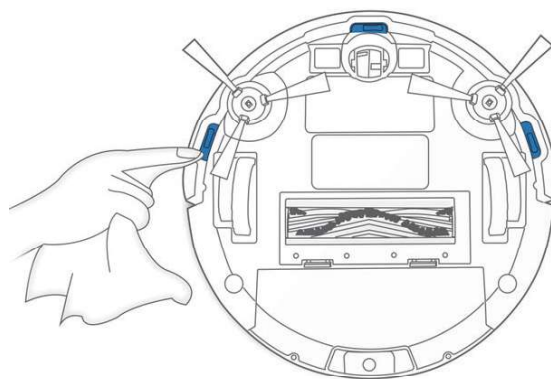
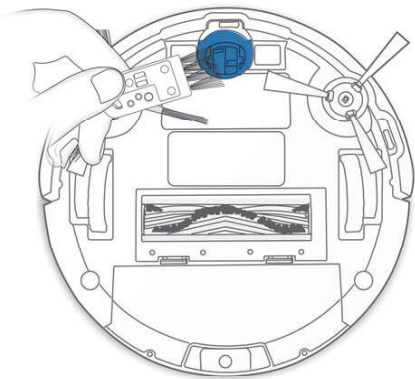
2



3

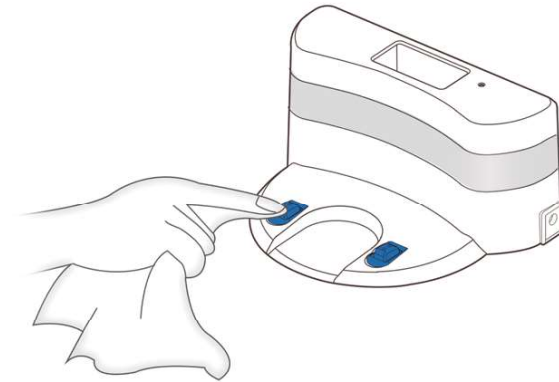
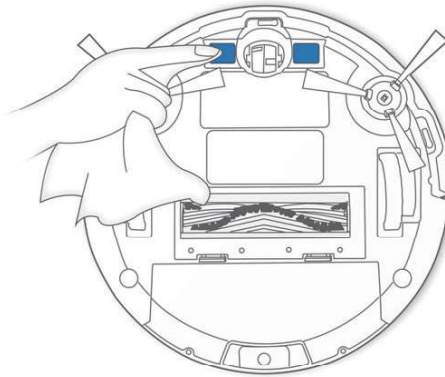


4.3 Komponen Lain



4. Penyelenggaraan

Perhatian: Sebelum membersihkan Sambungan Pengecasan dan Pin Dok Pengecasan, MATIKAN kuasa robot dan cabut palam Dok Pengecasan.



4.4 Penyelenggaraan Biasa

Untuk memastikan prestasi terbaik DEEBOT, lakukan tugas penyelenggaraan dan gantikan alat ganti mengikut kekerapan berikut:

Bahagian Robot	Kekerapan Penyelenggaraan	Kekerapan penggantian
Berus Sisi	Sekali setiap 2 minggu	Setiap 3-6 bulan
Berus Utama	Sekali seminggu	Setiap 6-12 bulan
Penapis Span/ Penapis Kecekapan Tinggi	Sekali seminggu	Setiap 3-6 bulan
Roda Universal Sensor Antijatu Bumper Sambungan Pengecasan Pin Dok Pengecasan	Sekali seminggu	/

Alat Pembersihan Berbilang Fungsi disediakan untuk memudahkan penyelenggaraan. Kendalikannya dengan berhati-hati, alat pembersihan ini mempunyai bahagian tepi yang tajam.

Perhatian: ECOVACS mengeluarkan pelbagai alat ganti dan kelengkapan. Sila hubungi Perkhidmatan Pelanggan untuk maklumat lanjut tentang alat ganti.

5. Lampu Penunjuk dan Bunyi Penggera

DEEBOT akan memberitahu anda jika ada masalah dengan cahaya dan bunyi penunjuk isyarat. Lebih banyak butiran sokongan tersedia melalui ECOVACS App dan laman web dalam talian.

Lampu Penunjuk

Senario	Lampu Penunjuk
Robot sedang melakukan pembersihan	Butang Mod AUTO bernyala PUTIH padu
Robot sedang mengecas	Butang Mod AUTO berkelip PUTIH
Bateri robot lemah	Butang Mod AUTO bernyala MERAH padu
Robot menghadapi masalah	Butang Mod AUTO berkelip MERAH
Corak Pembersihan Diprogramkan didayakan	Penunjuk Tukar Mod Pembersihan bernyala

Bunyi Penggera

Bunyi Penggera	Masalah	Penyelesaian
Bip Sekali	Berus Utama atau Berus Sisi tersekat.	Bersihkan Berus Utama atau Berus Sisi seperti yang dinyatakan dalam Penyelenggaraan Bahagian 4.
Bip dua kali	Pincang Tugas Antijatuh	Gunakan kain pembersihan untuk membersihkan Sensor Antijatuh.
Tiga Bip	Bekas Habuk tidak dipasang dengan betul.	Pastikan Bekas Habuk telah dipasang; jika sudah, tanggalkannya dan pasangkannya semula dengan betul.
Bip Berterusan	Robot tersangkut atau Roda Pemanduan tersekat.	Letakkan robot kembali ke permukaan atau tepuk bampar dengan lembut dan bersihkan Roda Pemanduan seperti yang dinyatakan dalam Penyelenggaraan Bahagian 4.

6. Penyelesaian Masalah

No.	Pincang Tugas	Kemungkinan Punca Masalah	Penyelesaian
1	DEEBOT tidak mengecas.	DEEBOT tidak DIHIDUPKAN.	HIDUPKAN DEEBOT.
		DEEBOT tidak bersambung ke Dok Pengecasan.	Pastikan Sambungan Pengecasan robot telah bersambung dengan Pin Dok Pengecasan.
		Bateri dinyahcas sepenuhnya.	Aktifkan semula bateri. Hidupkan DEEBOT. Letakkan DEEBOT pada Dok Pengecasan dengan tangan, keluarkannya selepas dicas selama 3 minit, ulangi 3 kali; kemudian cas bateri seperti biasa.
2	DEEBOT tidak dapat kembali ke Dok Pengecasan.	Dok Pengecasan tidak diletakkan dengan betul.	Rujuk bahagian 3.2 untuk meletakkan Dok Pengecasan dengan betul.
3	DEEBOT tersekat semasa berfungsi dan berhenti.	DEEBOT tersangkut dengan sesuatu di atas lantai (wayar elektrik, langsir, rumbai permaidani dan sebagainya.).	DEEBOT akan mencuba pelbagai cara untuk bebas daripada sangkutan. Jika tidak berjaya, alihkan halangan dan mulakan semula secara manual.
4	DEEBOT kembali ke Dok Pengecasan sebelum pembersihan selesai.	Apabila bateri semakin rendah, DEEBOT akan bertukar kepada Mod Kembali ke Pengecas dan balik ke Dok Pengecasan secara automatik untuk dicas semula.	Ini perkara normal. Tiada penyelesaian diperlukan.
		Masa bekerja adalah berbeza-beza mengikut jenis permukaan lantai, kerumitan bilik dan Mod Pembersihan yang dipilih.	Ini perkara normal. Tiada penyelesaian diperlukan.

6. Penyelesaian Masalah

No.	Pincang Tugas	Kemungkinan Punca Masalah	Penyelesaian
5	DEEBOT tidak melakukan pembersihan secara automatik pada masa yang dijadualkan.	Fungsi Penjadualan Waktu telah dibatalkan.	Programkan DEEBOT untuk membuat pembersihan pada masa khusus menggunakan ECOVACS App.
		Fungsi Pembersihan Berterusan DIHIDUPKAN dan DEEBOT baru sahaja membersihkan kawasan pembersihan yang dijadualkan.	Ini perkara normal. Tiada penyelesaian diperlukan.
		DEEBOT DIMATIKAN.	HIDUPKAN DEEBOT.
		Bateri robot lemah.	Pastikan DEEBOT DIHIDUPKAN dan diletakkan pada Dok Pengecasan untuk memastikannya mempunyai bateri penuh untuk berfungsi pada bila-bila masa.
		Saluran Masuk Habuk robot tersekat dan/ atau terdapat serpihan tersekat dalam komponennya.	MATIKAN kuasa DEEBOT, bersihkan Bekas Habuk dan terbalikkan robot. Bersihkan Saluran Masuk Habuk, Berus Sisi dan Berus Utama seperti yang diterangkan dalam Bahagian 4.
6	DEEBOT tidak membersihkan keseluruhan kawasan.	Kawasan pembersihan tidak kemas.	Alihkan objek kecil daripada lantai dan kemaskan kawasan pembersihan sebelum DEEBOT mula membuat pembersihan.

6. Penyelesaian Masalah

No.	Pincang Tugas	Kemungkinan Punca Masalah	Penyelesaian
7	DEEBOT tidak dapat menyambung ke rangkaian Wi-Fi rumah.	Nama pengguna atau kata laluan Wi-Fi rumah yang dimasukkan tidak betul.	Masukkan nama pengguna dan kata laluan Wi-Fi rumah yang betul.
		DEEBOT tidak berada dalam lingkungan isyarat Wi-Fi rumah anda.	Pastikan DEEBOT berada dalam lingkungan isyarat Wi-Fi rumah anda.
		Persediaan rangkaian bermula sebelum DEEBOT bersiap sedia.	HIDUPKAN Suis Kuasa. Tekan Butang TETAP SEMULA selama 3 saat. DEEBOT bersedia untuk persediaan rangkaian apabila DEEBOT memainkan muzik dan lampu Penunjuk Wi-Fi berkelip secara perlahan-lahan.
		Sistem pengendalian telefon pintar anda perlu dikemas kini.	Kemas kini sistem pengendalian telefon pintar anda. ECOVACS App berfungsi pada iOS 9.0 dan ke atas, Android 4.0 dan ke atas.

7. Spesifikasi Teknikal

Model	DO3G		
Voltan penggunaan	14.4V DC	Kuasa berkadar	25W
Dok Pengecasan			
Voltan Input Berkadar	19V DC	Arus output berkadar	0.6A
Model Penyesuai Kuasa	YJS015F-1900600B (HK) YJS015F-1900600T (TW) YJS015F-1900600A (AU) YJS015F-1900600TH (TH) DK18-190060H-B (MY/SG)		
Voltan Input Berkadar	100-240V AC	Arus Input Berkadar	0.5A
Voltan output Berkadar	19V DC	Arus output berkadar	0.6A
Model Alat Kawalan Jauh	RC1633A	Voltan Input	3V DC
Bateri	Lithium 2600mAh		

Perhatian: Spesifikasi teknikal dan reka bentuk boleh berubah untuk penambahbaikan produk yang berterusan.

ขอแสดงความยินดีสำหรับการซื้อ DEEBOT จาก ECOVACS ROBOTICS! เราหวังว่าคุณจะได้รับความพึงพอใจไปอีกนานหลายปี เราเชื่อว่าการซื้อหุ่นยนต์ใหม่นี้ของคุณจะทำให้บ้านของคุณสะอาดเอี่ยม และทำให้คุณมีเวลาเหลือเพื่อทำสิ่งอื่นๆ ที่มีประโยชน์ อีกมากมาย

Live Smart. Enjoy Life.

หากคุณพบสถานการณ์ที่ไม่ได้ระบุไว้ในคู่มือแนะนำการใช้งานนี้ โปรดติดต่อศูนย์บริการลูกค้าของเรา ซึ่งจะมีช่างเทคนิคที่สามารถช่วยแก้ปัญหาหรือตอบคำถามเฉพาะเจาะจงของคุณได้

หากต้องการข้อมูลเพิ่มเติม โปรดไปที่เว็บไซต์ทางการของ ECOVACS ROBOTICS: www.ecovacs.com

บริษัทขอสงวนสิทธิ์ในการเปลี่ยนแปลงด้านเทคโนโลยีและ/หรือการออกแบบของผลิตภัณฑ์นี้ เพื่อเป็นการปรับปรุงอย่างต่อเนื่อง

ขอบคุณที่เลือก DEEBOT!

สารบัญ

1. คำแนะนำด้านความปลอดภัยที่สำคัญ	92
2. สิ่งที่อยู่ในบรรจุภัณฑ์.....	96
3. การใช้งานเครื่องและการตั้งโปรแกรม	99
4. การบำรุงรักษา.....	104
5. ไฟและเสียงสัญญาณเตือนระบุสถานะ	108
6. การแก้ไขปัญหา.....	109
7. ข้อมูลจำเพาะทางเทคนิค.....	111

1. คำแนะนำด้านความปลอดภัยที่สำคัญ

เมื่อคุณใช้งานเครื่องใช้ไฟฟ้า คุณควรปฏิบัติตามข้อควรระวังพื้นฐานเสมอ ซึ่งรวมถึงข้อควรระวังต่อไปนี้:

อ่านคำแนะนำทั้งหมดก่อนใช้งานเครื่องนี้ บันทึกคำแนะนำเหล่านี้ไว้

1. ไม่ควรให้เด็กอายุ 8 ปีขึ้นไป และบุคคลที่มีสภาพร่างกาย การรับรู้ความรู้สึกหรือสภาพจิตไม่ปกติ รวมถึงบุคคลที่ขาดประสบการณ์การใช้งานและความเข้าใจใช้เครื่องนี้ เว้นแต่จะได้รับการควบคุมดูแลหรือให้คำแนะนำเกี่ยวกับการใช้เครื่องอย่างปลอดภัย และมีความเข้าใจเกี่ยวกับอันตรายที่เกี่ยวข้อง เด็กไม่ควรเล่นกับอุปกรณ์นี้ ไม่ควรให้เด็กทำความสะอาดและบำรุงรักษา โดยไม่อยู่ภายใต้การดูแล
2. เตรียมบริเวณที่ต้องการทำความสะอาดให้ว่าง ถอดสายไฟและหีบวัตถุขนาดเล็กที่อาจพันกับเครื่องออกจากพื้น สอดตะเข็บของพรมไว้ใต้พรม และยกสิ่งของขึ้นจากพื้น เช่น ม่านและผ้าปูโต๊ะ
3. หากมีพื้นต่างระดับในบริเวณที่ต้องการทำความสะอาด เช่น แทนเหยียบหรือบันได

คุณควรใช้งานเครื่องเพื่อตรวจสอบว่าสามารถตรวจพบพื้นที่ต่างระดับได้โดยไม่ร่วงผ่านขอบพื้นที่ต่างระดับ อาจต้องวางที่กั้นไว้บริเวณขอบเพื่อป้องกันไม่ให้เครื่องร่วงหล่น ตรวจสอบว่าที่กั้นนั้นไม่ทำให้เกิดการสะดุด

4. โปรดใช้เครื่องตามที่อธิบายไว้ในคู่มือนี้เท่านั้น ใช้อุปกรณ์เสริมที่ผู้ผลิตแนะนำหรือขายเท่านั้น
5. โปรดตรวจสอบว่ากระแสไฟฟ้าจากแหล่งจ่ายพลังงานตรงกับกระแสไฟฟ้าพลังงานที่ระบุไว้บนแท่นชาร์จ
6. สำหรับใช้ภายในครัวเรือนเท่านั้น ห้ามใช้เครื่องนี้ในสภาพแวดล้อมกลางแจ้ง เชิงพาณิชย์ หรือเชิงอุตสาหกรรม
7. ห้ามใช้แบตเตอรี่ที่ชาร์จไม่ได้ หากต้องการข้อมูลเกี่ยวกับแบตเตอรี่ โปรดดูส่วนข้อมูลจำเพาะ
8. ห้ามใช้โดยไม่มีที่เก็บฝุ่นและ/หรือที่กรอง
9. ห้ามใช้งานเครื่องในบริเวณที่มีเทียนที่จุดไว้หรือวัตถุแตกหักง่าย

1. คำแนะนำด้านความปลอดภัยที่สำคัญ

10. ห้ามใช้ในสภาพแวดล้อมร้อนหรือเย็นจัด (ต่ำกว่า $-5^{\circ}\text{C}/23^{\circ}\text{F}$ หรือสูงกว่า $40^{\circ}\text{C}/104^{\circ}\text{F}$)
11. เก็บรักษาให้เส้นผม เสื้อผ้า นิ้วมือ และส่วนต่างๆ ของร่างกายห่างจากช่องต่างๆ และชิ้นส่วนที่มีการเคลื่อนไหวอยู่
12. ห้ามใช้งานเครื่องในห้องที่มีทารกหรือเด็กนอนหลับอยู่
13. ห้ามใช้เครื่องบนพื้นผิวที่เปียกหรือพื้นผิวที่มีน้ำขัง
14. ห้ามปล่อยให้เครื่องดูดวัตถุขนาดใหญ่ เช่น ก้อนหิน กระดาษแผ่นใหญ่ หรือสิ่งของที่อาจทำให้เครื่องอุดตัน
15. ห้ามใช้งานเครื่องเพื่อเก็บวัสดุที่ติดไฟได้หรือวัสดุที่เผาไหม้ได้ เช่น น้ำมันเชื้อเพลิง หมึกผง ของเครื่องพิมพ์หรือเครื่องถ่ายเอกสาร หรือใช้เครื่องในบริเวณที่มีวัตถุเหล่านั้นอยู่
16. ห้ามใช้เครื่องเพื่อเก็บสิ่งที่กำลังไหม้หรือสงคราม เช่น บุหรี่ ไม้ขีดไฟ ชี้อั้วร้อน หรือสิ่งๆ ที่อาจทำให้เกิดไฟไหม้
17. ห้ามใส่วัตถุใดๆ ลงในส่วนดูดเข้า ห้ามใช้ หากส่วนดูดเข้ามีการอุดตันอยู่ อย่าปล่อยให้ฝุ่น เศษผ้า เส้นผม หรือสิ่งๆ ที่อาจบังทางเดินอากาศ นั้นอุดตันส่วนดูดเข้า
18. ระวังอย่าให้สายไฟเสียหาย อย่าดึงหรือยกเครื่อง หรือแท่นชาร์จที่บริเวณสายไฟ ใช้สายไฟ เป็นที่จับ ปิดประตูทับสายไฟ หรือดึงสายไฟ ผ่านขอบหรือมุมที่มีความคม อย่าให้เครื่องวิ่งทับสายไฟ เก็บสายไฟให้ห่างจากพื้นผิวที่มีความร้อน
19. หากสายไฟเสียหาย ต้องให้ผู้ผลิตหรือตัวแทนบริการเป็นผู้เปลี่ยน เพื่อหลีกเลี่ยงอันตรายที่อาจเกิดขึ้น
20. ห้ามใช้แท่นชาร์จหากเกิดความเสียหาย
21. ห้ามใช้สายไฟหรือฐานที่เสียหาย ห้ามใช้งานเครื่องหรือแท่นชาร์จหากทำงานผิดปกติ หล่นจากที่สูง เสียหาย ถูกทิ้งไว้กลางแจ้ง หรือสัมผัสถูกน้ำ ต้องให้ผู้ผลิตหรือตัวแทนบริการ เป็นผู้ซ่อม เพื่อหลีกเลี่ยงอันตรายที่อาจเกิดขึ้น

1. คำแนะนำด้านความปลอดภัยที่สำคัญ

22. ปิดสวิตช์เปิด/ปิดก่อนทำความสะอาดหรือบำรุงรักษาเครื่อง
 23. ต้องถอดปลั๊กออกจากฐานก่อนทำความสะอาดหรือบำรุงรักษาแทนชาร์จ
 24. นำเครื่องออกจากแทนชาร์จ ปิดสวิตช์เปิด/ปิดของเครื่องก่อนถอดแบตเตอรี่ออกจากเครื่องเพื่อกำจัดทิ้ง
 25. ถอดแบตเตอรี่ออกจากเครื่องและนำไปกำจัดทิ้งตามกฎหมายและข้อบังคับท้องถิ่นก่อนจัดทิ้งอุปกรณ์
 26. โปรดกำจัดแบตเตอรี่ใช้แล้วตามกฎหมายและข้อบังคับท้องถิ่น
 27. ห้ามเผาเครื่อง แม้จะเสียหายอย่างรุนแรง แบตเตอรี่อาจระเบิดในกองไฟ
 28. เมื่อไม่ได้ใช้แทนชาร์จเป็นเวลานาน โปรดถอดปลั๊กออก
 29. ต้องใช้งานเครื่องนี้ตามแนวทางในคู่มือแนะนำการใช้งานนี้ ECOVACS ROBOTICS จะไม่รับผิดชอบต่อความเสียหายหรือการบาดเจ็บที่เกิดจากการใช้งานอย่างไม่เหมาะสม
 30. หุ่นยนต์มีแบตเตอรี่ที่สามารถเปลี่ยนโดยผู้เชี่ยวชาญเท่านั้น โปรดติดต่อฝ่ายบริการลูกค้าสำหรับการเปลี่ยนหรือถอดแบตเตอรี่
 31. หากจะไม่ใช้หุ่นยนต์เป็นเวลานาน ให้ชาร์จหุ่นยนต์จนเต็มแล้วปิดเครื่องเพื่อนำไปจัดเก็บและถอดปลั๊กแทนชาร์จ
- 32. คำเตือน:** หากต้องการชาร์จแบตเตอรี่ให้ใช้แหล่งจ่ายไฟแบบถอดออกได้ YJS015F-1900600B (HK)/YJS015F-1900600T (TW)/YJS015F-1900600A (AU)/YJS015F-1900600TH (TH)/DK18-190060H-B (MY/SG) ที่มาพร้อมกับเครื่องนี้เท่านั้น
33. จะมีการใส่แบตเตอรี่ AAA แบบชาร์จไม่ได้จำนวนสองก้อนในรีโมทคอนโทรลไว้ล่วงหน้า หากต้องการเปลี่ยนแบตเตอรี่ของรีโมทคอนโทรล โปรดพลิกรีโมทคอนโทรลจากนั้นกดที่ฝาปิดแบตเตอรี่แล้วถอดออก ถอดแบตเตอรี่ออก แล้วใส่แบตเตอรี่ใหม่ให้ถูกต้อง ประกอบฝาปิดแบตเตอรี่กลับเข้าที่

1. คำแนะนำด้านความปลอดภัยที่สำคัญ

34. ไม่สามารถชาร์จแบตเตอรี่แบบชาร์จไม่ได้
35. แบตเตอรี่ที่ชนิดต่างกัน หรือแบตเตอรี่ใหม่และแบตเตอรี่ที่ใช้แล้ว จะไม่สามารถใช้ร่วมกันได้
36. ต้องใส่แบตเตอรี่ในรีโมทคอนโทรลให้ถูกข้อ
37. จะต้องถอดแบตเตอรี่ที่พลังงานหมดแล้วออกจากเครื่องและกำจัดอย่างปลอดภัย
38. หากต้องการเก็บรีโมทคอนโทรลไว้โดยไม่ใช้งานเป็นเวลานาน ควรถอดแบตเตอรี่ออก
39. ชั่วจ่ายไฟจะไม่เกิดการลัดวงจร

สำหรับประเทศในกลุ่ม EU



การกำจัดผลิตภัณฑ์อย่างถูกต้อง

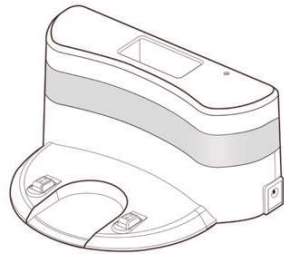
เครื่องหมายนี้ระบุว่าไม่ควรกำจัดผลิตภัณฑ์นี้ร่วมกับขยะในครัวเรือนอื่นๆ ทุกประเทศในกลุ่ม EU เพื่อป้องกันอันตรายที่อาจเกิดกับสภาพแวดล้อมหรือสุขภาพจากการกำจัดขยะที่ไม่ได้รับการควบคุม ให้รีไซเคิลอย่างมีความรับผิดชอบเพื่อส่งเสริมการใช้ทรัพยากรวัสดุอย่างยั่งยืน หากต้องการรีไซเคิลเครื่องใช้แล้วของคุณ โปรดใช้ระบบส่งคืนและรวบรวม หรือติดต่อผู้ค้าปลีกที่คุณซื้อผลิตภัณฑ์นั้น พวกเขาจะสามารถรีไซเคิลผลิตภัณฑ์นี้ได้อย่างปลอดภัย

2. สิ่งที่อยู่ในบรรจุภัณฑ์

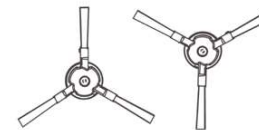
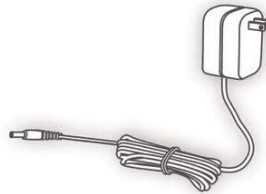
2.1 สิ่งที่อยู่ในบรรจุภัณฑ์



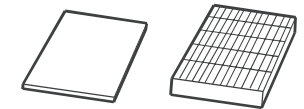
หุ่นยนต์



แท่นชาร์จ + อะแดปเตอร์



(4) แปรงข้าง



ที่กรองแบบฟองน้ำและ
ที่กรองประสิทธิภาพสูง



รีโมทคอนโทรล
พร้อมแบตเตอรี่



เครื่องมือทำความสะอาด
อเนกประสงค์



คู่มือแนะนำการใช้งาน



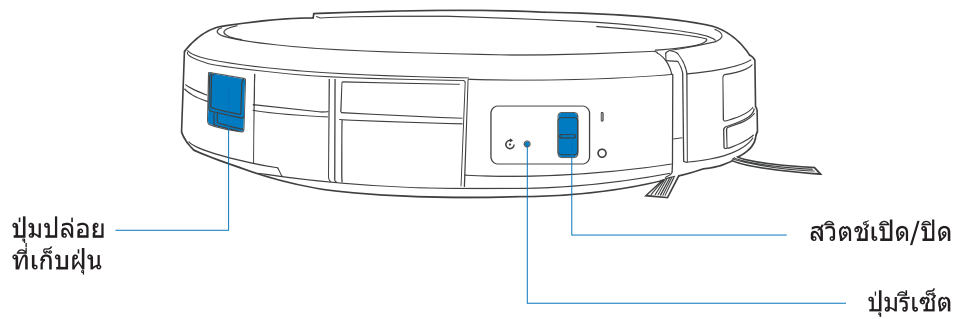
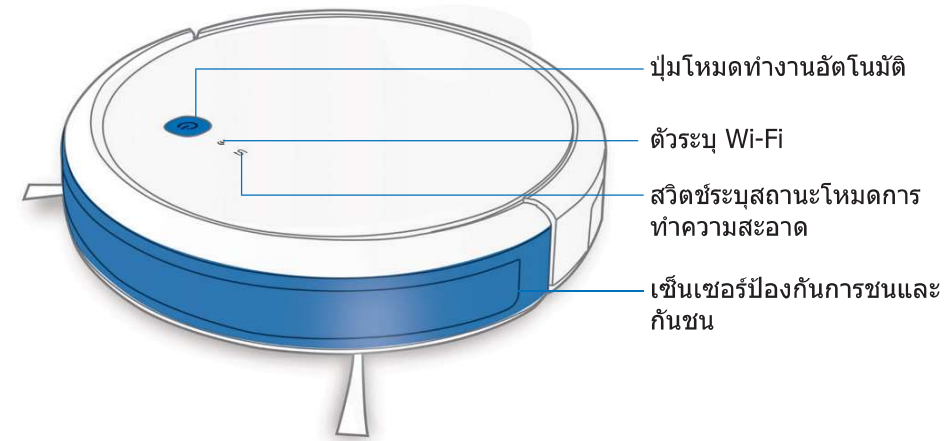
คู่มือเริ่มต้นแบบด่วน

หมายเหตุ: ตัวเลขและภาพประกอบใช้สำหรับอ้างอิงเท่านั้นและอาจแตกต่างจากรูปลักษณะจริงของผลิตภัณฑ์ การออกแบบผลิตภัณฑ์และข้อมูลจำเพาะอาจมีการเปลี่ยนแปลงโดยไม่ได้แจ้งให้ทราบล่วงหน้า

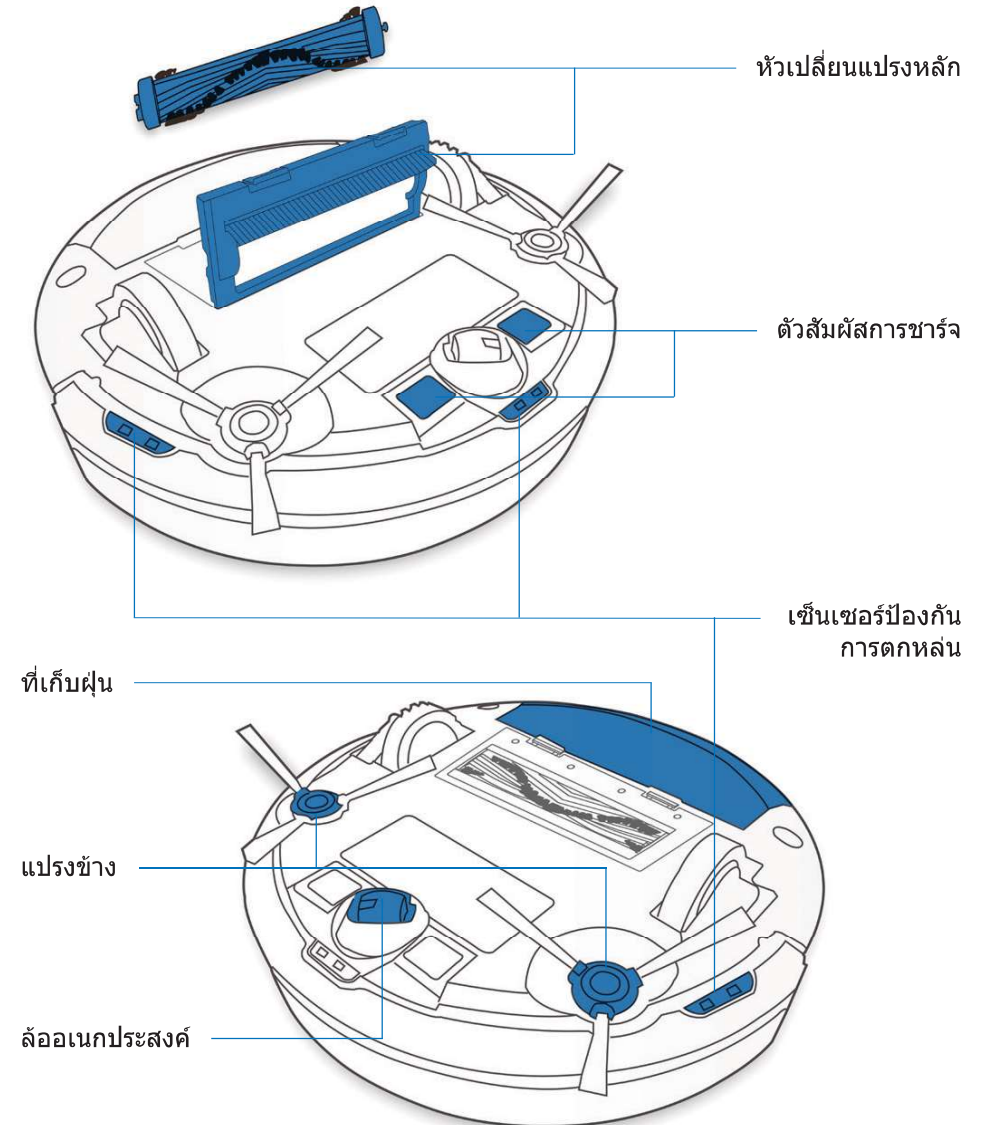
2. สิ่งที่อยู่ในบรรจุภัณฑ์

2.3 แผนภาพผลิตภัณฑ์

หุ่นยนต์

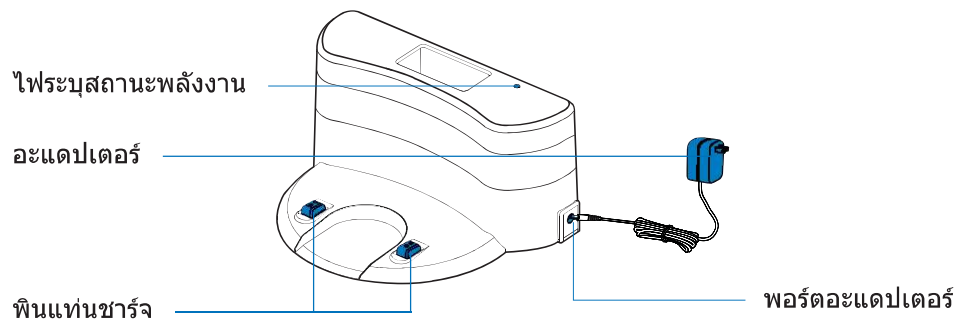


มุมมองด้านล่าง

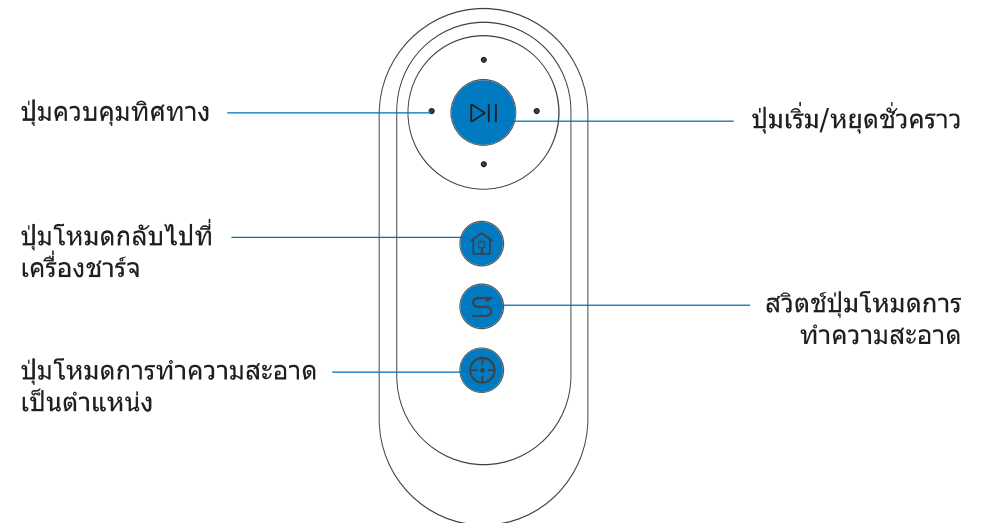


2. สิ่งที่อยู่ในบรรจุภัณฑ์

แท่นชาร์จ



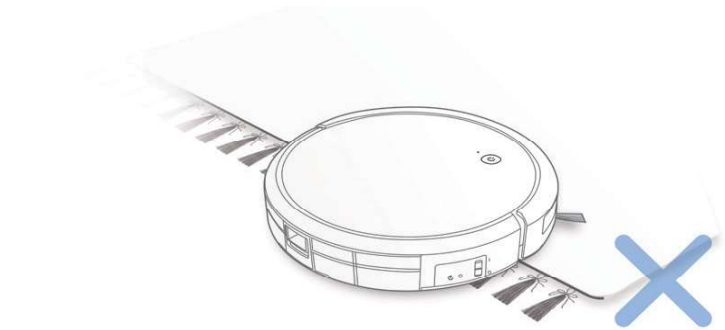
รีโมทคอนโทรล



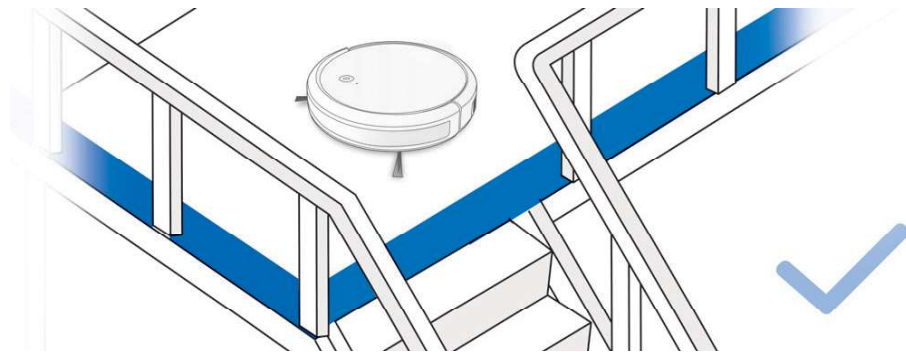
3. การใช้งานเครื่องและการตั้งโปรแกรม

3.1 หมายเหตุก่อนทำความสะอาด

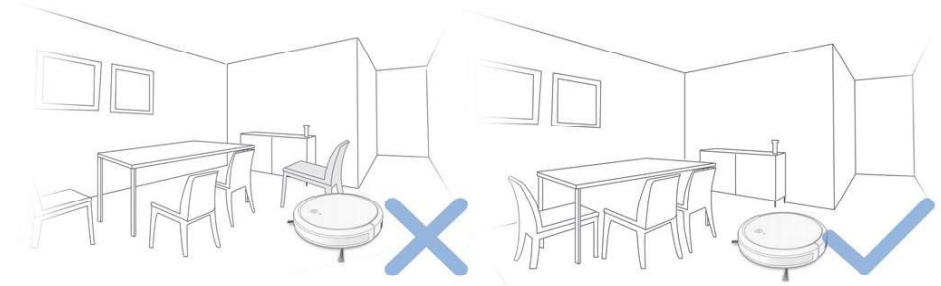
คำเตือน: ห้ามใช้ DEEBOT บนพื้นผิวที่เปียกหรือพื้นผิวที่มีน้ำขัง



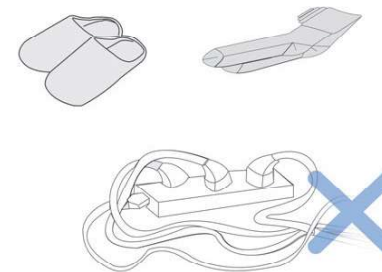
ก่อนการใช้ผลิตภัณฑ์บนพรมที่มีขอบฟู โปรดพับขอบของพรมเข้าไปด้านใต้



อาจต้องวางที่กั้นไว้บริเวณขอบพื้นที่ต่างระดับเพื่อไม่ให้เครื่องร่วงหล่น



จัดบริเวณที่ทำความสะอาดให้เรียบร้อยด้วยการจัดวางเฟอร์นิเจอร์ เช่น เก้าอี้ไว้ในที่ที่เหมาะสม

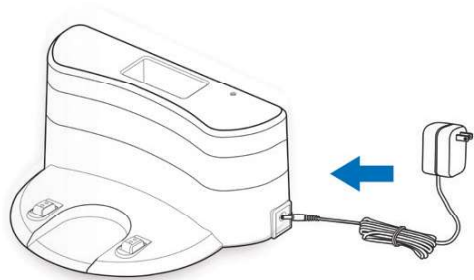


ถอดสายไฟและหีบวัตถุขนาดเล็กที่เกิดขวางกับผลิตภัณฑ์ออกจากพื้น

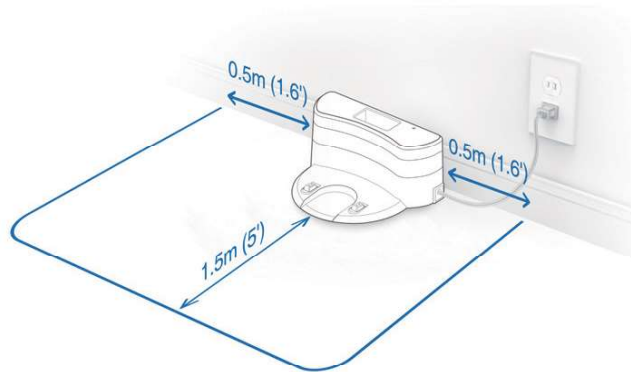
3. การใช้งานเครื่องและการตั้งโปรแกรม

3.2 การเตรียมพร้อม

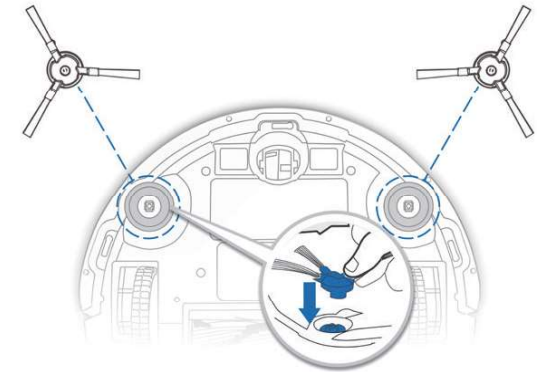
1 เสียบปลั๊กอะแดปเตอร์



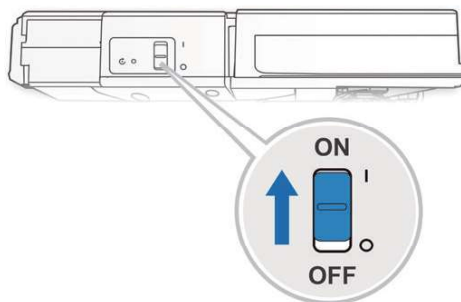
2 การวางแท่นชาร์จ



3 ติดตั้งแปรงข้าง



4 เปิดเครื่อง



5 การชาร์จ DEEBOT



หมายเหตุ: เมื่อ DEEBOT ทำความสะอาดตามรอบเสร็จสิ้น หรือเมื่อพลังงานแบตเตอรี่เหลือน้อย DEEBOT จะกลับไปแท่นชาร์จเพื่อชาร์จตัวเองโดยอัตโนมัติ

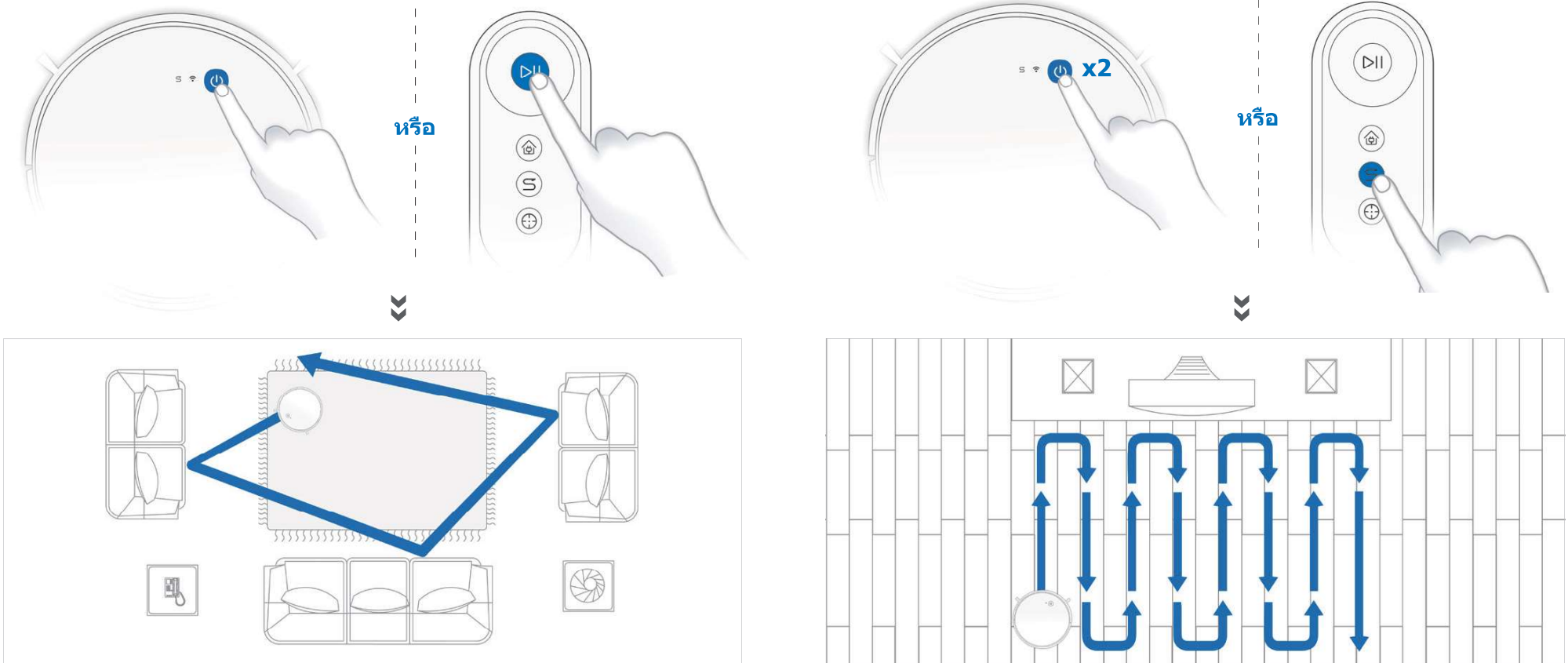
3. การใช้งานเครื่องและการตั้งโปรแกรม

3.3 การเลือกโหมดทำความสะอาด

1 โหมดการทำความสะอาดอัตโนมัติ

รูปแบบการทำความสะอาดแบบสุ่ม (ปรับให้เหมาะกับการทำความสะอาดพรม) จะถูกเลือกเป็นค่าเริ่มต้น

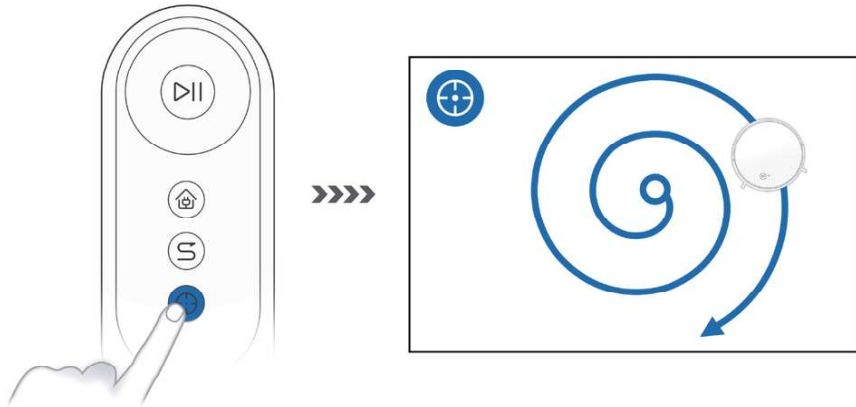
ในการเปลี่ยนเป็นรูปแบบการทำความสะอาดแบบตั้งโปรแกรม (ปรับให้เหมาะกับการทำความสะอาดพื้นแข็ง) หรือสลับระหว่าง 2 รูปแบบเหล่านี้ให้ดำเนินการต่อไปนี้:



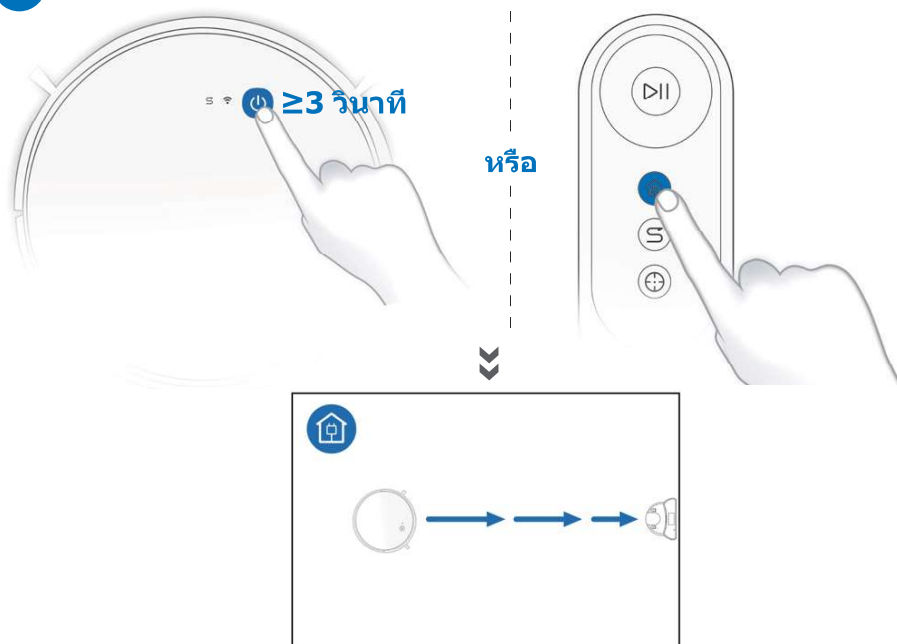
หมายเหตุ: ไม่สามารถเปลี่ยนรูปแบบการทำความสะอาดจนกว่าจะหยุด DEEBOT ชั่วคราวหรือชาร์จ DEEBOT จะเริ่มรอบการทำความสะอาดใหม่หลังจากเปลี่ยนรูปแบบการทำความสะอาด S จะสว่างขึ้นเมื่อเปิดใช้รูปแบบการทำความสะอาดแบบตั้งโปรแกรม

3. การใช้งานเครื่องและการตั้งโปรแกรม

2 โหมดการทำความสะอาดเป็นตำแหน่ง (น้อยกว่า 3 นาที)



3 กลับไปที่แท่นชาร์จ



สามารถเปิดใช้งานฟังก์ชันทั้งหมดที่กล่าวถึงด้านบนได้โดยใช้แอปดาวนโหลดแอป ECOVACS เพื่อเข้าถึงคุณสมบัติเพิ่มเติม รวมถึงการทำความสะอาดบริเวณขอบ, การทำความสะอาดแบบกำหนดเวลา, ฯลฯ



Q ECOVACS HOME



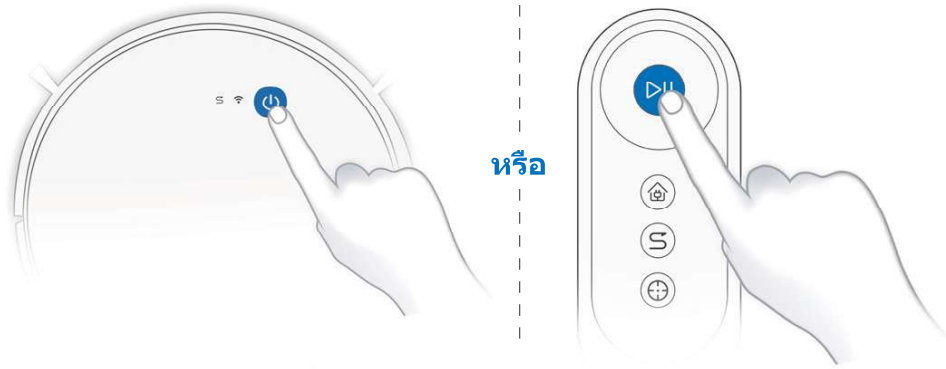
✓ iOS 9.0 or later

✓ Android 4.0 or later

3. การใช้งานเครื่องและการตั้งโปรแกรม

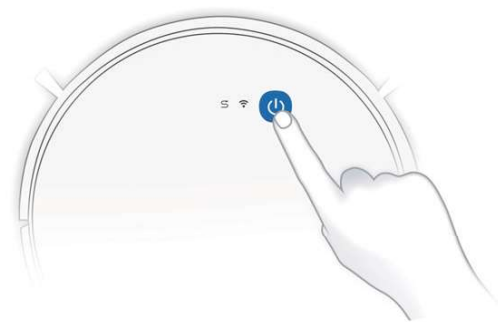
3.4 การหยุดชั่วคราว, ปลุกให้ตื่น, ปิด

1 การหยุดชั่วคราว



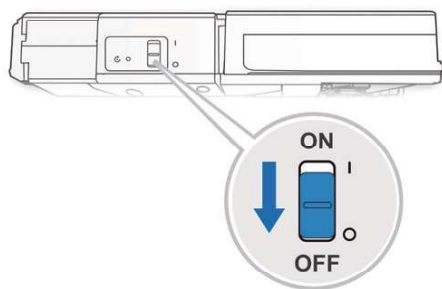
หมายเหตุ: แผงควบคุมของหุ่นยนต์จะหยุดส่องสว่างหลังจากที่หุ่นยนต์หยุดชั่วคราวเป็นเวลา 2 ถึง 3 นาที กดปุ่มโหมดทำงานอัตโนมัติบน DEEBOT เพื่อปลุกหุ่นยนต์ให้ตื่น

2 ปลุกให้ตื่น

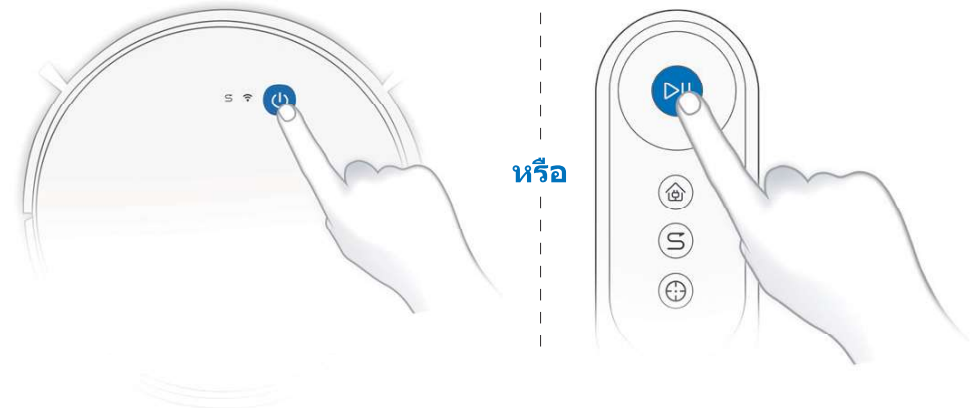


กดปุ่มอัตโนมัติบน DEEBOT เพื่อปลุกให้ตื่น

3 ปิดเครื่อง



หมายเหตุ: เมื่อ DEEBOT ไม่ได้ทำงาน ขอแนะนำให้เปิดเครื่องและชาร์จค้างไว้

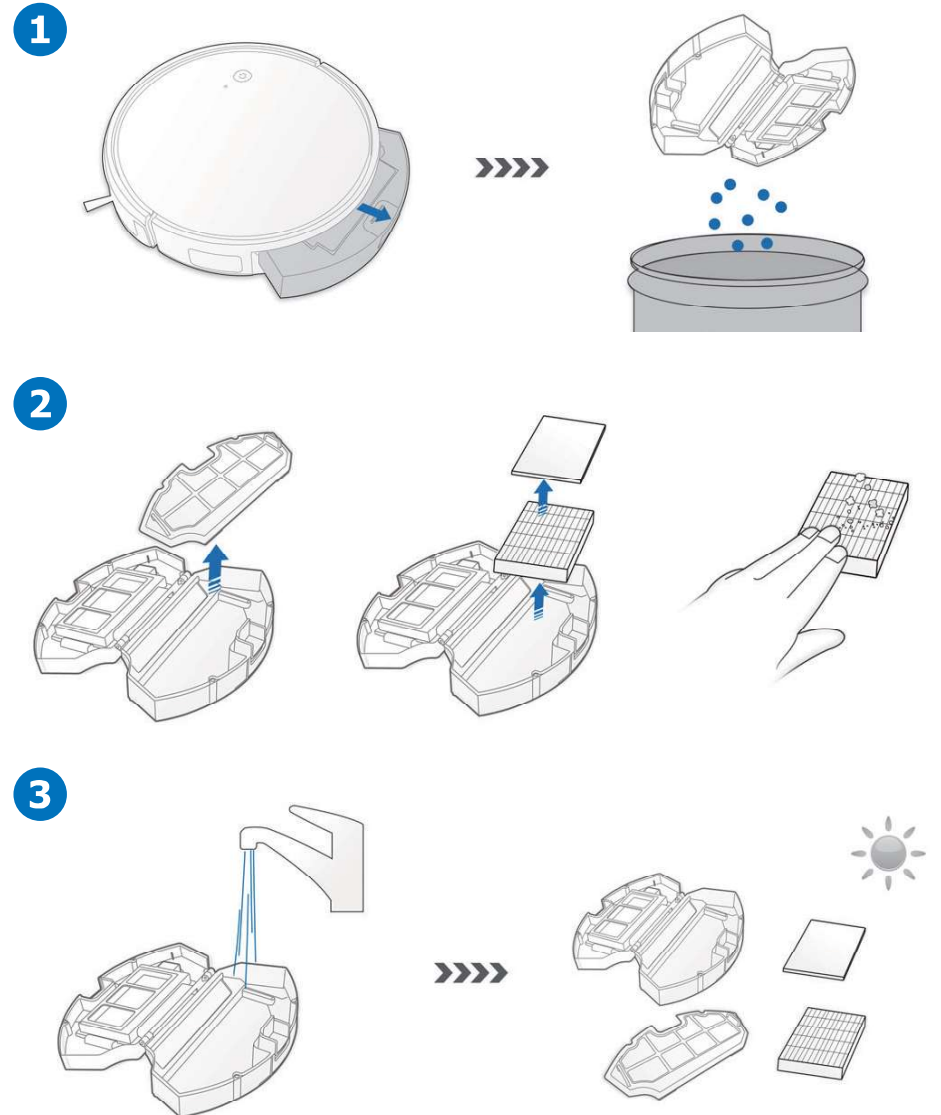
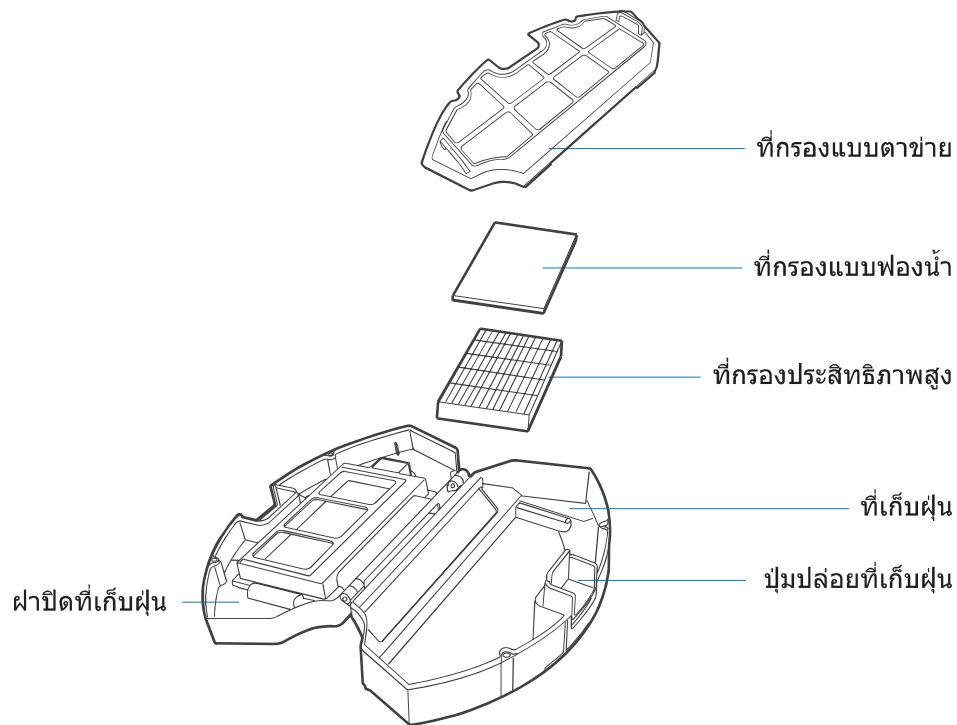


4. การบำรุงรักษา

ก่อนจะดำเนินงานทำความสะอาดและบำรุงรักษาเครื่อง DEEBOT ให้ปิดหุ่นยนต์และถอดปลั๊กแท่นชาร์จ

4.1 ที่เก็บฝุ่นและที่กรอง

ที่เก็บฝุ่น

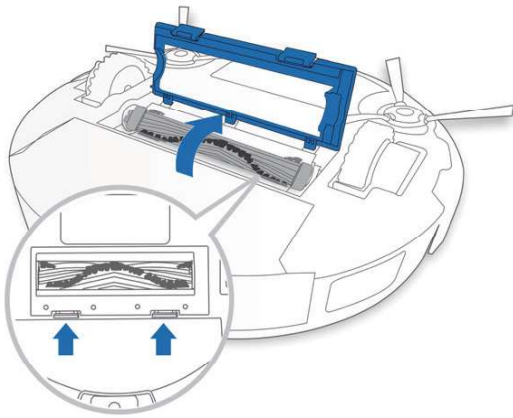


4.2 แปรงหลักและแปรงข้าง

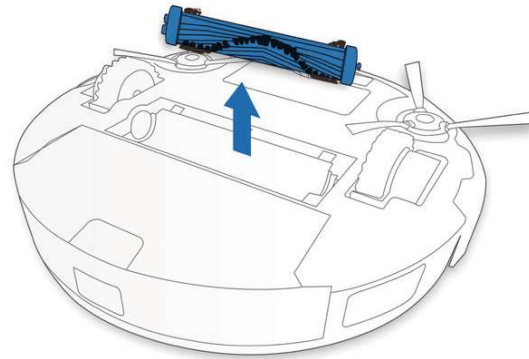
หมายเหตุ: มีเครื่องมือทำความสะอาดเนกประสงค์เพื่อการบำรุงรักษาได้โดยง่าย ใช้งานด้วยความระมัดระวัง เนื่องจากเครื่องมือทำความสะอาดนี้มีขอบที่มีความคม

แปรงหลัก

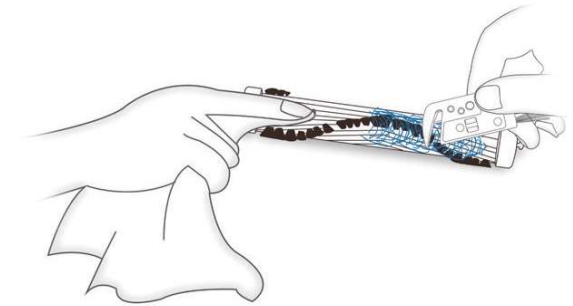
1



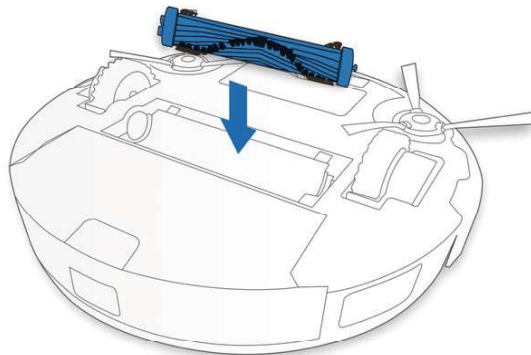
2



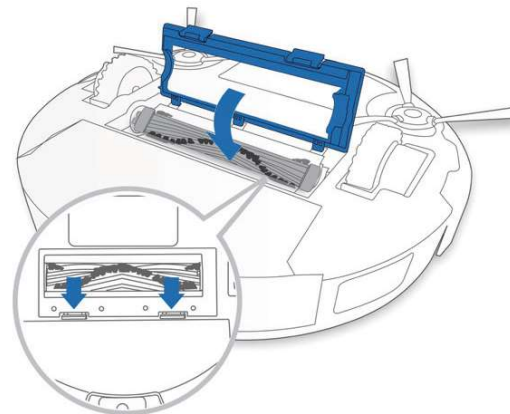
3



4



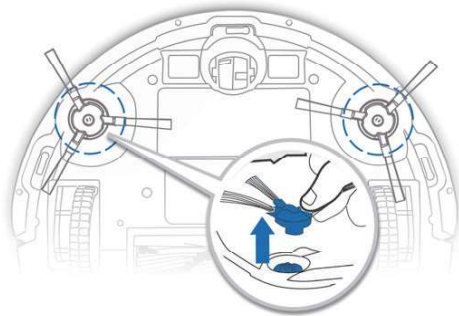
5



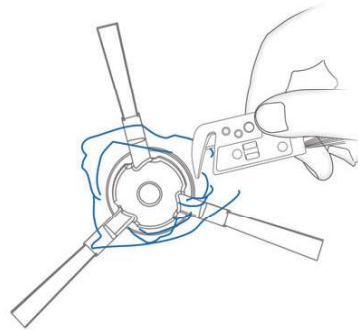
4. การบำรุงรักษา

แปรงข้าง

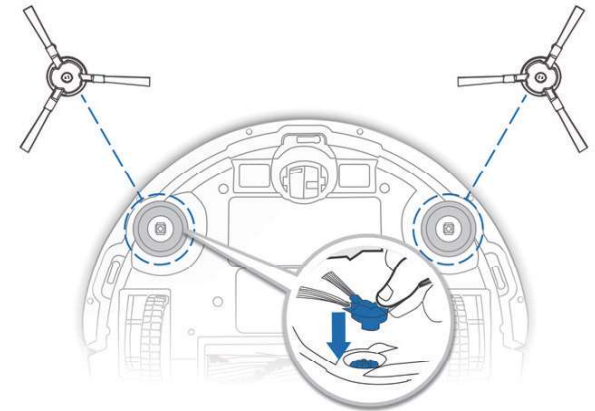
1



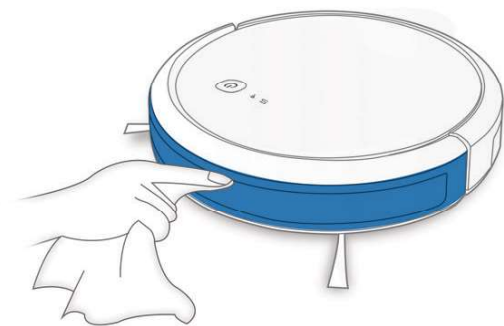
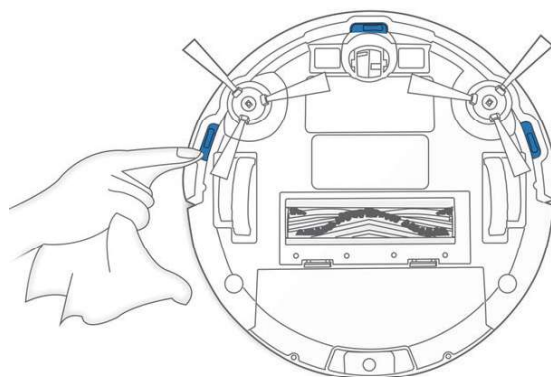
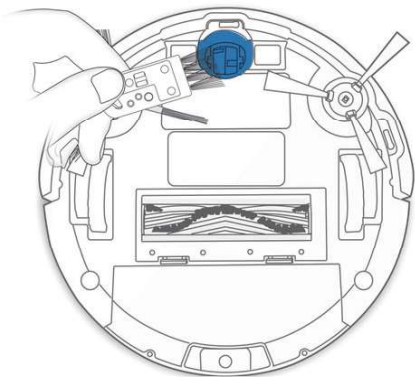
2



3

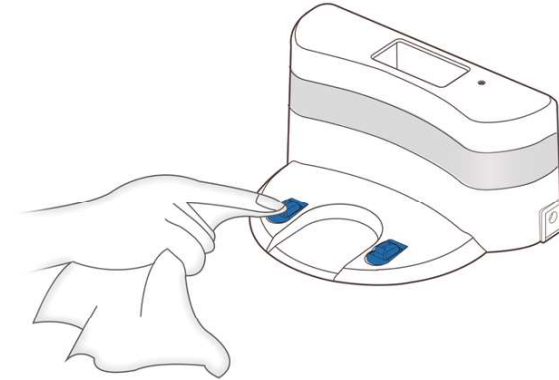
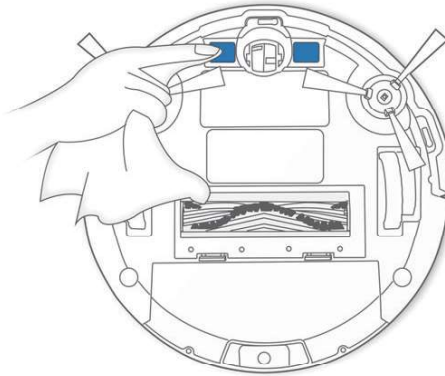


4.3 ส่วนประกอบอื่นๆ



4. การบำรุงรักษา

หมายเหตุ: ก่อนทำความสะอาดตัวสัมผัสการชาร์จและพินแท่นชาร์จของหุ่นยนต์ ให้ปิดหุ่นยนต์และถอดปลั๊กแท่นชาร์จ



4.4 การบำรุงรักษาตามปกติ

เพื่อให้ DEEBOT มีประสิทธิภาพการทำงานสูงสุด ให้ทำการบำรุงรักษาและเปลี่ยนชิ้นส่วนตามความถี่ต่อไปนี้:

ชิ้นส่วนหุ่นยนต์	ความถี่ในการบำรุงรักษา	ความถี่ในการเปลี่ยน
แปรงข้าง	ทุก 2 สัปดาห์	ทุก 3-6 เดือน
แปรงหลัก	ทุกสัปดาห์	ทุก 6-12 เดือน
ที่กรองแบบฟองน้ำ/ ที่กรองประสิทธิภาพสูง	ทุกสัปดาห์	ทุก 3-6 เดือน
ล้อเนกประสงค์ เซ็นเซอร์ป้องกันการตกหล่น กันชน ตัวสัมผัสการชาร์จ พินแท่นชาร์จ	ทุกสัปดาห์	/

มีเครื่องมือทำความสะอาดเนกประสงค์เพื่อการบำรุงรักษาได้โดยง่าย ใช้งานด้วยความระมัดระวัง เนื่องจากเครื่องมือทำความสะอาดนี้มีขอบที่มีความคม

หมายเหตุ: ECOVACS ผลิตภัณฑ์และชิ้นส่วนต่างๆ โปรดติดต่อฝ่ายบริการลูกค้าเพื่อขอข้อมูลเพิ่มเติมเกี่ยวกับชิ้นส่วนต่างๆ

5. ไฟและเสียงสัญญาณเตือนระบุสถานะ

DEEBOT จะบอกให้คุณทราบว่ามีอะไรผิดพลาดด้วยไฟและเสียงสัญญาณเตือนระบุสถานะ พบการสนับสนุนที่ละเอียดยิ่งขึ้นทางแอป ECOVACS และเว็บไซต์ออนไลน์

สถานการณ์	ไฟระบุ
หุ่นยนต์กำลังทำความสะอาด	ปุ่มโหมดทำงานอัตโนมัติติดสว่างเป็นสีขาวต่อเนื่อง
หุ่นยนต์กำลังชาร์จ	ปุ่มโหมดทำงานอัตโนมัติกะพริบสีขาว
หุ่นยนต์มีแบตเตอรี่ต่ำ	ปุ่มโหมดทำงานอัตโนมัติติดสว่างเป็นสีแดงต่อเนื่อง
หุ่นยนต์มีปัญหา	ปุ่มโหมดทำงานอัตโนมัติกะพริบสีแดง
เปิดใช้รูปแบบการทำความสะอาดแบบตั้งโปรแกรม	สวิตช์ระบุสถานะโหมดการทำความสะอาดติดสว่าง

เสียงเตือน

เสียงเตือน	ปัญหา	วิธีแก้ปัญหา
บีบหนึ่งครั้ง	แปรงหลักหรือแปรงข้างพันกับบางสิ่ง	ทำความสะอาดแปรงหลักหรือแปรงข้างตามที่กล่าวถึงในส่วนที่ 4 การบำรุงรักษา
บีบสองครั้ง	เซ็นเซอร์ป้องกันการตกหล่นทำงานผิดพลาด	ใช้ผ้าทำความสะอาดเช็ดเซ็นเซอร์ป้องกันการตกหล่น
บีบสามครั้ง	ติดตั้งที่เก็บฝุ่นไม่ถูกต้อง	ตรวจสอบว่ามีที่เก็บฝุ่นติดตั้งอยู่ ถ้ามี ให้เอาออก แล้วติดตั้งกลับเข้าไปใหม่ให้ถูกต้อง
เสียงบีบต่อเนื่อง	หุ่นยนต์ติดขัด หรือล้อขับเคลื่อนพันกับบางสิ่ง	วางหุ่นยนต์ลงบนพื้น หรือเคาะกันชนเบาๆ และทำความสะอาดล้อขับเคลื่อนตามที่กล่าวถึงในส่วนที่ 4 การบำรุงรักษา

6. การแก้ไขปัญหา

หมายเลข	ข้อผิดพลาด	สาเหตุที่เป็นไปได้	วิธีแก้ปัญหา
1	DEEBOT ไม่ชาร์จ	ไม่ได้เปิดเครื่อง DEEBOT	เปิด DEEBOT
		ไม่ได้เชื่อมต่อ DEEBOT กับแท่นชาร์จ	ตรวจสอบว่าตัวสัมผัสการชาร์จของหุ่นยนต์เชื่อมต่อกับพื้นแท่นชาร์จแล้ว
		แบตเตอรี่พลังงานหมดไม่หลงเหลือ	กระตุ้นแบตเตอรี่ เปิด DEEBOT วาง DEEBOT ลงบนแท่นชาร์จด้วยมือ ยกออกหลังจากชาร์จประมาณ 3 นาที ให้ทำซ้ำ 3 ครั้ง จากนั้นชาร์จตามปกติ
2	DEEBOT ไม่สามารถกลับไปแท่นชาร์จได้	แท่นชาร์จวางไว้อย่างไม่เหมาะสม	ดูรายละเอียดส่วนที่ 3.2 เพื่อวางแท่นชาร์จอย่างถูกต้อง
3	DEEBOT ติดอยู่กับบางสิ่งขณะทำงานและหยุดทำงาน	DEEBOT พันกับบางสิ่งบนพื้น (สายไฟฟ้า ผ้าม่าน ตะเข็บพรม ฯลฯ)	DEEBOT จะลองหลากหลายวิธีเพื่อให้หลุดออกมา หากไม่สำเร็จให้ถอดวัตถุออกด้วยตนเองและเริ่มใหม่อีกครั้ง
4	DEEBOT กลับไปที่แท่นชาร์จก่อนจะทำความสะอาดเสร็จ	เมื่อแบตเตอรี่เหลือน้อย DEEBOT จะสลับเป็นโหมดกลับไปเครื่องชาร์จโดยอัตโนมัติ และจะกลับไปเครื่องชาร์จเพื่อชาร์จตัวเอง	ซึ่งเป็นเรื่องปกติ ไม่จำเป็นต้องมีวิธีแก้ปัญหา
		เวลาการทำงานแตกต่างกันไปตามพื้นผิวของพื้น ความชื้นชื้นของห้อง และโหมดการทำความสะอาดที่เลือก	ซึ่งเป็นเรื่องปกติ ไม่จำเป็นต้องมีวิธีแก้ปัญหา

6. การแก้ไขปัญหา

หมายเลข	ข้อผิดพลาด	สาเหตุที่เป็นไปได้	วิธีแก้ปัญหา
5	DEEBOT ไม่ทำความสะอาดตามเวลาที่กำหนดไว้	ฟังก์ชันการกำหนดเวลาอัจฉริยะถูกยกเลิก	โปรแกรมให้ DEEBOT ทำความสะอาดตามเวลาที่กำหนดด้วยแอป ECOVACS
		ฟังก์ชันทำความสะอาดต่อเนื่องเปิดอยู่ และ DEEBOT ทำความสะอาดพื้นที่ทำความสะอาดที่กำหนดไว้เสร็จแล้ว	ซึ่งเป็นเรื่องปกติ ไม่จำเป็นต้องมีวิธีแก้ปัญหา
		DEEBOT ปิดอยู่	เปิด DEEBOT
		แบตเตอรี่ของหุ่นยนต์ต่ำ	เปิดเครื่อง DEEBOT และเชื่อมต่อกับแท่นชาร์จเพื่อให้แบตเตอรี่เต็มพร้อมสำหรับการทำงานเสมอ
		ส่วนดูดเข้าของหุ่นยนต์อุดตัน และ/หรือ ส่วนประกอบพันกับเศษขยะ	ปิดเครื่อง DEEBOT ทำความสะอาดที่เก็บฝุ่นแล้วคว่ำหุ่นยนต์ ทำความสะอาดส่วนดูดเข้า แปรงข้าง และแปรงหลักของหุ่นยนต์ ตามที่อธิบายไว้ในส่วนที่ 4
6	DEEBOT ไม่ทำความสะอาดพื้นที่ทั้งหมด	พื้นที่ทำความสะอาดไม่เรียบร้อย	เก็บวัตถุขนาดเล็กขึ้นจากพื้น และจัดบริเวณที่ทำความสะอาดให้เรียบร้อย ก่อนที่จะให้ DEEBOT เริ่มทำความสะอาด
7	DEEBOT ไม่สามารถเชื่อมต่อกับเครือข่าย Wi-Fi ที่บ้าน	ชื่อผู้ใช้หรือรหัสผ่านเครือข่าย Wi-Fi ที่ป้อนไม่ถูกต้อง	ป้อนชื่อผู้ใช้หรือรหัสผ่านเครือข่าย Wi-Fi ที่ถูกต้อง
		DEEBOT ไม่อยู่ในระยะสัญญาณ Wi-Fi ที่บ้านคุณ	ตรวจสอบว่า DEEBOT อยู่ในระยะสัญญาณ Wi-Fi ที่บ้านคุณ
		เริ่มการตั้งค่าเครือข่ายก่อนที่ DEEBOT จะพร้อม	เปิดสวิตช์ปิด/เปิด กดปุ่มรีเซ็ตค้างไว้ 3 วินาที DEEBOT จะพร้อมสำหรับการตั้งค่าเครือข่ายเมื่อเครื่องเล่นเสียงดนตรี และไฟระบุสถานะ Wi-Fi กะพริบซ้ำๆ
		ต้องอัปเดตระบบปฏิบัติการสมาร์ทโฟนของคุณ	อัปเดตระบบปฏิบัติการสมาร์ทโฟนของคุณ แอปพลิเคชัน ECOVACS ทำงานบน iOS 9.0 และสูงกว่า Android 4.0 และสูงกว่า

7. ข้อมูลจำเพาะทางเทคนิค

รุ่น	D03G		
แรงดันไฟฟ้า	14.4V DC	กำลังพิกัด	25W
แท่นชาร์จ			
แรงดันไฟฟ้าอินพุตพิกัด	19V DC	กระแสไฟฟ้าเอาต์พุตพิกัด	0.6A
รุ่นอะแดปเตอร์	YJS015F-1900600B (HK) YJS015F-1900600T (TW) YJS015F-1900600A (AU) YJS015F-1900600TH (TH) DK18-190060H-B (MY/SG)		
แรงดันไฟฟ้าอินพุตพิกัด	100-240V AC	พิกัดกระแสไฟฟ้าอินพุต	0.5A
พิกัดแรงดันไฟฟ้าเอาต์พุต	19V DC	พิกัดกระแสไฟฟ้าเอาต์พุต	0.6A
รุ่นรีโมทคอนโทรล	RC1633A	แรงดันไฟฟ้าอินพุต	3V DC
แบตเตอรี่	ลิเทียม 2600mAh		

หมายเหตุ: ข้อมูลจำเพาะทางเทคนิคและการออกแบบอาจมีการเปลี่ยนแปลงเพื่อการปรับปรุงผลิตภัณฑ์อย่างต่อเนื่อง

7. المواصفات التقنية

DO3G			الطراز
25 واط	الطاقة المُقدّرة	تيار مستمر بقوة 14,4 فولت	فولتية التشغيل
قاعدة الشحن			
0,6 أمبير	تيار الإخراج المُقدّر	تيار مستمر بقوة 19 فولت	فولتية الإدخال المُقدّرة
YJS015F-1900600B (HK) YJS015F-1900600T (TW) YJS015F-1900600A (AU) YJS015F-1900600TH (TH) DK18-190060H-B (MY/SG)			طراز محوّل الطاقة
0,5 أمبير	تيار الإدخال المُقدّر	تيار متردد بقوة تتراوح ما بين 100 و 240 فولت	فولتية الإدخال المُقدّرة
0,6 أمبير	تيار الإخراج المُقدّر	تيار مستمر بقوة 19 فولت	فولتية الإخراج المُقدّرة
تيار مستمر بقوة 3 فولت	فولتية الإدخال	RC1633A	طراز جهاز التحكم عن بُعد
ليثيوم بشدة 2600 ميلي أمبير			البطارية

ملاحظة: قد يتم تغيير المواصفات التقنية ومواصفات التصميم بهدف تحسين المنتج بشكل مستمر.

6. استكشاف الأخطاء وإصلاحها

الرقم	الغطل	الأسباب المحتملة	الحلول
5	لا ينظف جهاز DEEBOT تلقائيًا في الوقت المجدول.	تم إلغاء وظيفة جدولة الوقت.	يمكنك برمجة جهاز DEEBOT للتنظيف في أوقات محددة مستخدمًا تطبيق ECOVACS.
		وظيفة التنظيف المستمر قيد التشغيل وقد أنهى جهاز DEEBOT للتو تنظيف منطقة التنظيف المجدولة.	هذا أمر طبيعي. ليس من الضروري إيجاد حل.
		جهاز DEEBOT متوقف عن التشغيل.	شغل جهاز DEEBOT.
		إن مستوى بطارية الروبوت منخفض.	اترك جهاز DEEBOT قيد التشغيل ومتصلاً بقاعدة الشحن للحرص على شحن البطارية بالكامل بحيث يمكن تشغيل الجهاز في أي وقت.
		إن فتحة الشفط في الروبوت مسدودة و/أو هناك ترسبات عالقة في مكوناته.	أوقف تشغيل جهاز DEEBOT، ثم نظف حاوية الغبار وعاكس الروبوت. نظف فتحة الشفط والفراشي الجانبية فضلًا عن الفرشاة الرئيسية على الروبوت كما هو موضح في القسم 4.
6	لا ينظف جهاز DEEBOT المنطقة بأكملها.	المنطقة التي يجب تنظيفها ليست مرتبة.	أزل الأغراض الصغيرة عن الأرض ورتب منطقة التنظيف قبل بدء جهاز DEEBOT بالتنظيف.
7	يتعذر على جهاز DEEBOT الاتصال بشبكة Wi-Fi المنزلية.	اسم مستخدم شبكة Wi-Fi المنزلية غير صحيح أو كلمة المرور المستخدمة غير صحيحة.	أدخل اسم مستخدم شبكة Wi-Fi المنزلية وكلمة المرور الصحيحين.
		ليس جهاز DEEBOT ضمن نطاق إشارة شبكة Wi-Fi المنزلية.	تأكد من أن جهاز DEEBOT متواجد ضمن نطاق إشارة Wi-Fi المنزلية.
		بدأت عملية إعداد الشبكة قبل أن يصبح جهاز DEEBOT مستعدًا.	اعمد إلى تشغيل مفتاح الطاقة. اضغط على زر إعادة التعيين لمدة 3 ثوان. يكون جهاز DEEBOT مستعدًا لعملية إعداد الشبكة عندما يشغل نغمة موسيقية و يبدأ ضوء مؤشر Wi-Fi بالوميض ببطء.
		إن نظام تشغيل هاتفك الذكي بحاجة إلى تحديث.	اعمد إلى تحديث نظام تشغيل الهاتف الذكي. يعمل تطبيق ECOVACS على نظام التشغيل iOS 9.0 أو إصدار أحدث، و Android 4.0 و إصدار أحدث.

6. استكشاف الأخطاء وإصلاحها

الرقم	الغطل	الأسباب المحتملة	الحلول
1	لا يتم شحن جهاز DEEBOT.	جهاز DEEBOT ليس قيد التشغيل.	شغلّ جهاز DEEBOT.
		لا يتصل جهاز DEEBOT بقاعدة الشحن.	تأكد من اتصال نقاط تلامس الشحن على الروبوت بمشبكي قاعدة الشاحن.
		البطارية فارغة تمامًا.	أعد تنشيط البطارية. شغلّ جهاز DEEBOT. ضع جهاز DEEBOT على قاعدة الشحن يدويًا ثم أزل الجهاز بعد شحنه لمدة 3 دقائق؛ كرر العملية 3 مرات، ثم اشحنه بشكل طبيعي.
2	يتعذر على جهاز DEEBOT العودة إلى قاعدة الشحن.	لم يتم تثبيت قاعدة الشحن بشكل صحيح.	راجع القسم 3.2 لتثبيت قاعدة الشحن بشكل صحيح.
3	يعلق جهاز DEEBOT أثناء العمل ويتوقف عن التشغيل.	تمت إعاقة جهاز DEEBOT بغرض ما على الأرض (أسلاك كهربائية وستائر وشراريب السجاد وغير ذلك).	سيحاول جهاز DEEBOT اتباع طرق عدة لحلّ المشكلة التي تواجهه. إذا لم ينجح في القيام بذلك، اعمد إلى إزالة العقبات يدويًا وأعد تشغيله.
4	يعود جهاز DEEBOT إلى قاعدة الشحن قبل أن ينتهي من التنظيف.	عندما ينخفض مستوى البطارية، يقوم جهاز DEEBOT بالتبديل تلقائيًا إلى وضع العودة إلى الشاحن ويعود بالتالي إلى قاعدة الشحن لإعادة شحن نفسه.	هذا أمر طبيعي. ليس من الضروري إيجاد حلّ.
		يختلف وقت العمل وفقًا لسطح الأرضية ومدى تعقيد الغرفة ووضع التنظيف المحدد.	هذا أمر طبيعي. ليس من الضروري إيجاد حلّ.

5. ضوء المؤشر وأصوات التنبيه

سيشير جهاز DEEBOT إلى خطأ في ضوء مؤشر التنبيه والأصوات. تتوفر معلومات مفصلة أكثر عن الدعم على تطبيق ECOVACS وموقع الويب على الإنترنت.

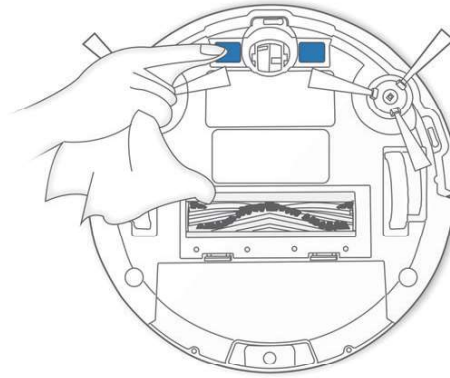
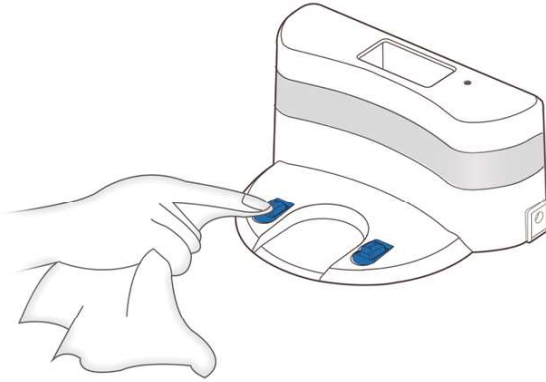
ضوء المؤشر

السيناريو	ضوء المؤشر
الروبوت قيد التنظيف	يضيء زر الوضع التلقائي باللون الأبيض الثابت
الروبوت قيد الشحن	يومض زر الوضع التلقائي باللون الأبيض
مستوى بطارية الروبوت منخفض	يضيء زر الوضع التلقائي باللون الأحمر الثابت
ثمة مشكلة في الروبوت	يومض زر الوضع التلقائي باللون الأحمر
نمط التنظيف المبرمج ممكّن	يضيء مؤشر تبديل وضع التنظيف

أصوات المنبه

صوت المنبه	المشاكل	الحلّ
إشارة صوتية واحدة	الفرشاة الرئيسية أو الفرشاة الجانبية ملينة بالرواسب العالقة.	نظّف الفرشاة الرئيسية أو الفرشاة الجانبية كما هو موضّح في القسم 4 "الصيانة".
إشارتان صوتيتان	عطل في أجهزة الاستشعار لمنع السقوط	استخدم قماش للتنظيف لمسح جهاز الاستشعار لمنع السقوط.
ثلاث إشارات صوتية	لم يتم تركيب حاوية الغبار بشكل صحيح.	احرص على أنه تم تركيب حاوية الغبار، وإذا تم تركيبها، فقم بإزالتها ثم إعادة تركيبها بشكل صحيح.
إشارات صوتية متواصلة	تم توقيف الروبوت أو أن عجلات القيادة ملينة بالرواسب العالقة.	ضع الروبوت على الأرض من جديد أو اضغط برفق على ممتص الصدمات ونظف عجلة القيادة كما هو موضّح في القسم 4 "الصيانة".

4. الصيانة



ملاحظة: قبل تنظيف نقاط تلامس الشحن ومشبكي قاعدة الشحن على الروبوت، يجب إيقاف تشغيل الروبوت وفصل قاعدة الشحن عن الكهرباء.

4.4 الصيانة الدورية

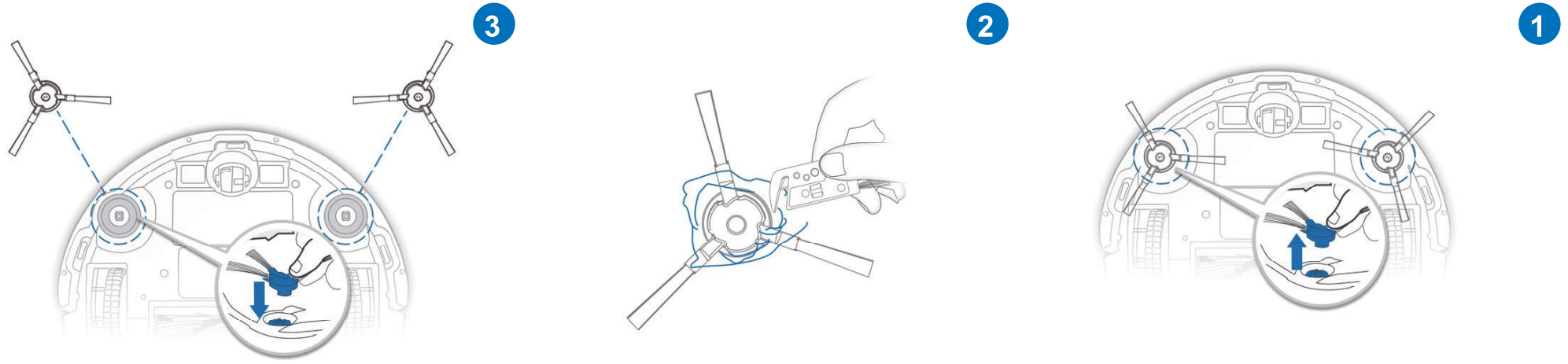
للمحافظة على الأداء الممتاز لجهاز DEEBOT، نفذ علميات الصيانة واستبدل القطع وفقاً للوتيرة التالية:

وتيرة الاستبدال	وتيرة الصيانة	قطع الروبوت
كل 3-6 شهر	مرة كل أسبوعين	الفرشاة الجانبية
كل 6-12 شهر	مرة في الأسبوع	الفرشاة الرئيسية
كل 3-6 شهر	مرة في الأسبوع	الفلتر الإسفنجي/الفلتر العالي الفعالية
/	مرة في الأسبوع	العجلة العامة أجهزة الاستشعار لمنع السقوط ممتص الصدمات نقاط تلامس الشحن مشبكا قاعدة الشحن

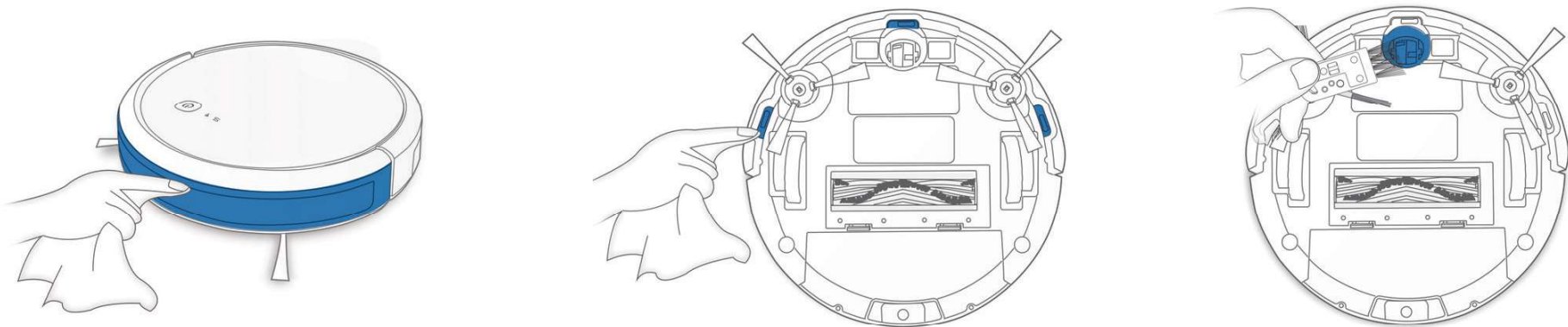
يتم توفير أداة تنظيف متعددة الوظائف لتسهيل عملية الصيانة. يجب التعامل مع الأداة بحرص كونها مزودة بحواف حادة.
ملاحظة: تصنع شركة ECOVACS قطع غيار وتركيبات متعددة. يُرجى الاتصال بقسم خدمة العملاء للحصول على مزيد من المعلومات حول قطع الغيار.

4. الصيانة

الفراشي الجانبية



4.3 المكونات الأخرى

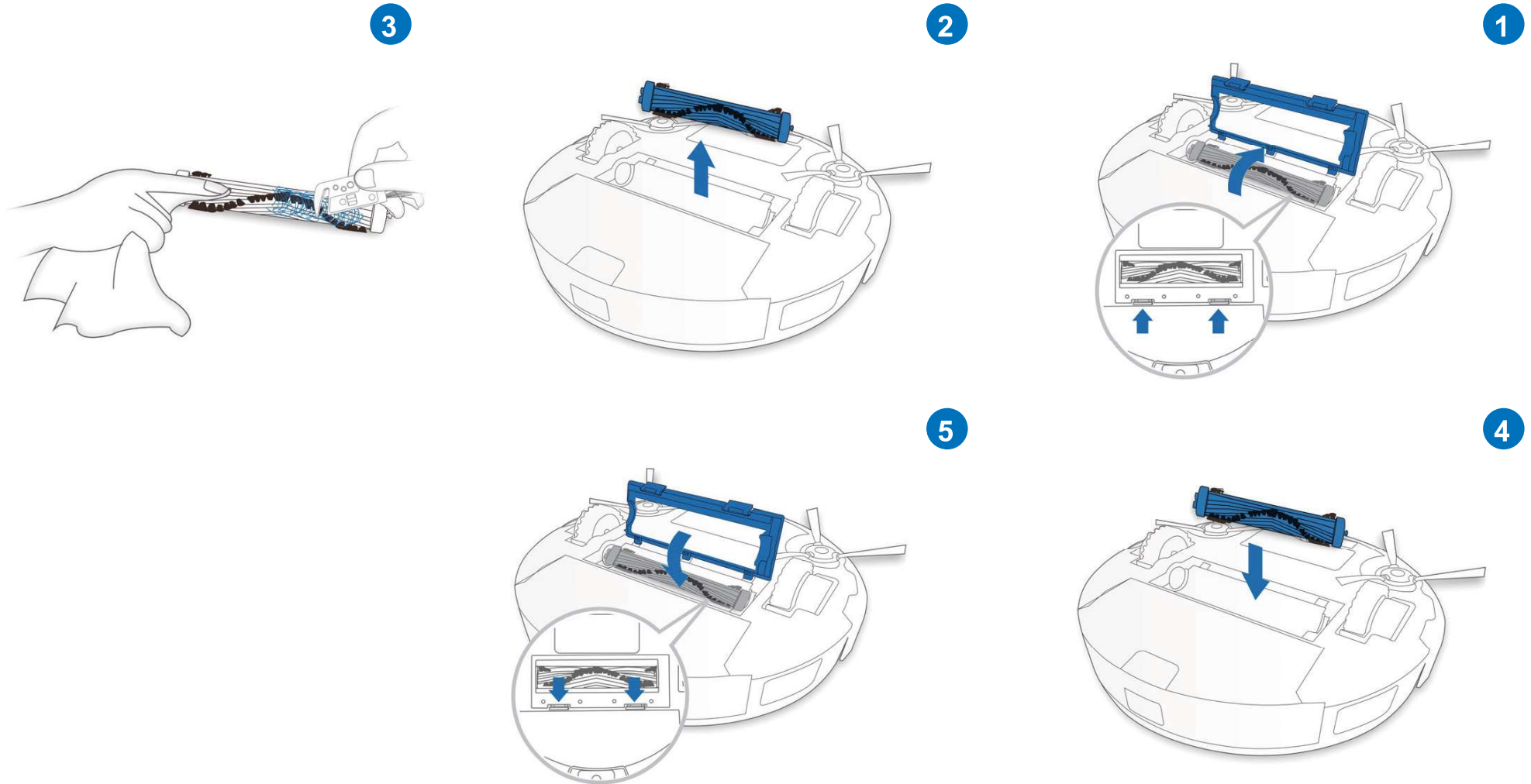


4. الصيانة

4.2 الفرشاة الرئيسية والفرشاة الجانبية

ملاحظة: يتم توفير أداة تنظيف متعددة الوظائف لتسهيل عملية الصيانة. يجب التعامل مع الأداة بحرص كونها مزودة بحواف حادة.

الفرشاة الرئيسية

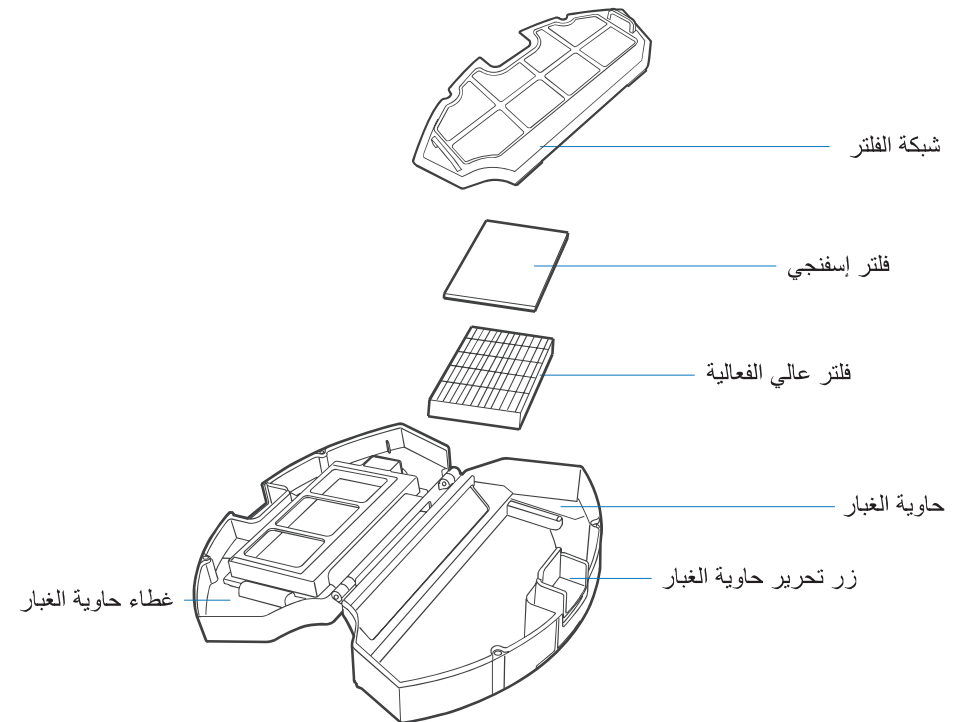
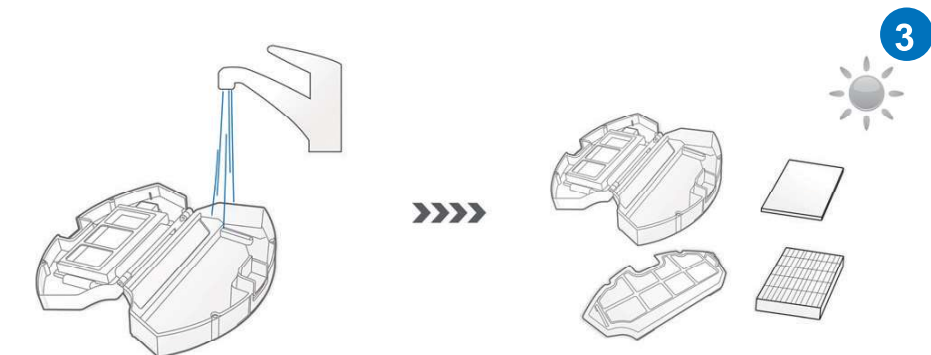
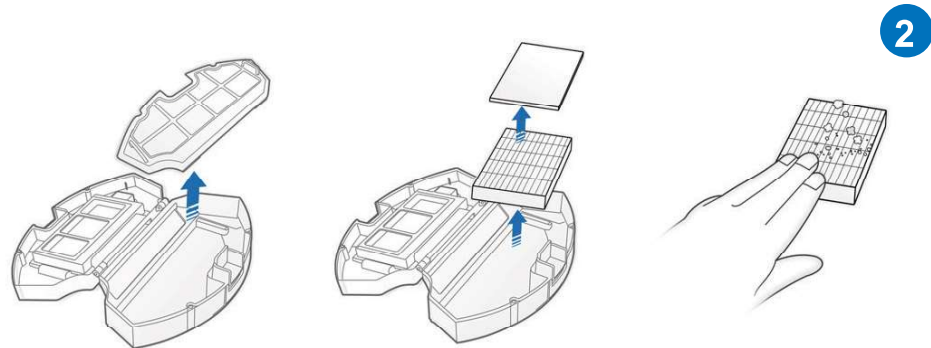
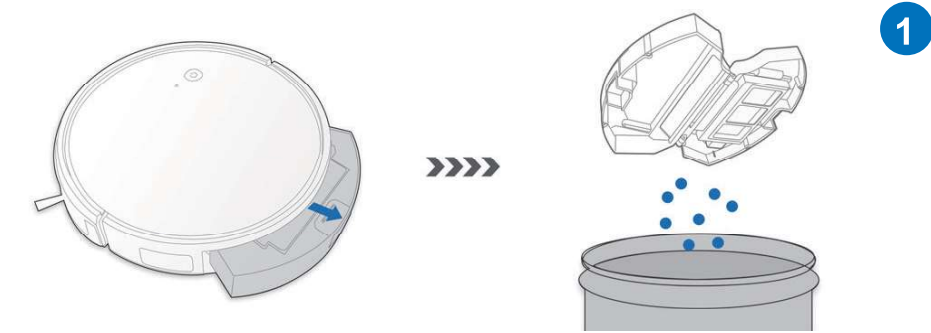


4. الصيانة

قبل تنظيف جهاز DEEBOT وصيانته، أوقف تشغيل الروبوت وافصل قاعدة الشحن.

4.1 حاوية الغبار والفلاتر

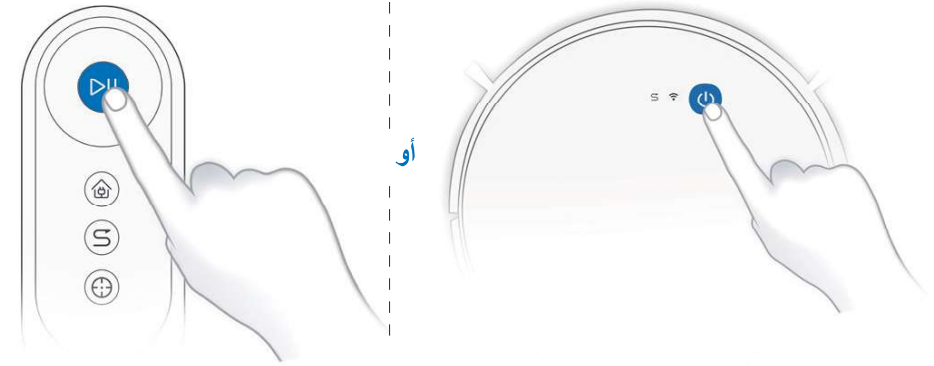
حاوية الغبار



3. التشغيل والبرمجة

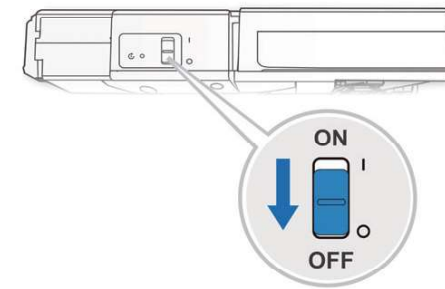
3.4 إيقاف التشغيل المؤقت وتشغيل وإيقاف تشغيل

1 إيقاف التشغيل المؤقت



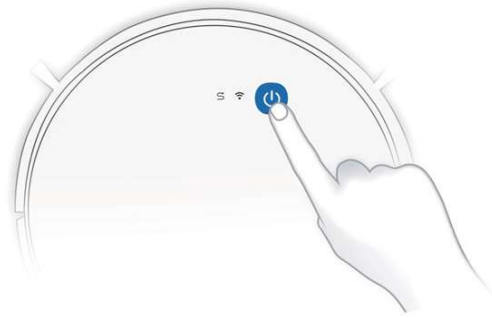
ملاحظة: تتوقف لوحة تحكم الروبوت عن الوميض عندما يتوقف الروبوت عن التشغيل مؤقتًا لبضع دقائق. اضغط على زر الوضع التلقائي على جهاز DEEBOT لتشغيل الروبوت.

3 إيقاف تشغيل الجهاز



ملاحظة: عندما لا يعمل جهاز DEEBOT، يوصى بإيقافه قيد التشغيل والشحن.

2 التشغيل



اضغط على زر الوضع التلقائي على جهاز DEEBOT لتشغيله



3. التشغيل والبرمجة

يمكن تمكين كل الوظائف المذكورة أعلاه على التطبيق. يمكنك تنزيل تطبيق ECOVACS للوصول إلى المزيد من الميزات بما فيها تنظيف الحواف والتنظيف المجدول وغير ذلك

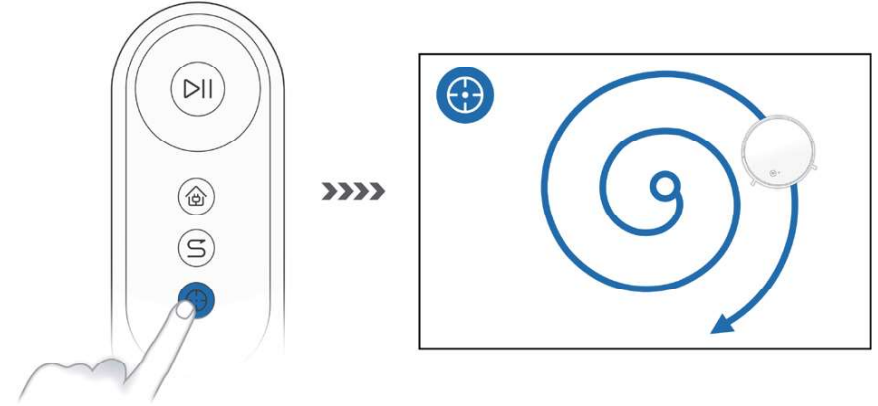
2 وضع تنظيف البقع (أقل من 3 دقائق)



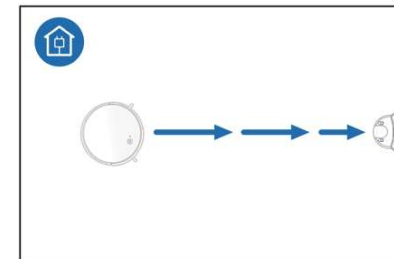
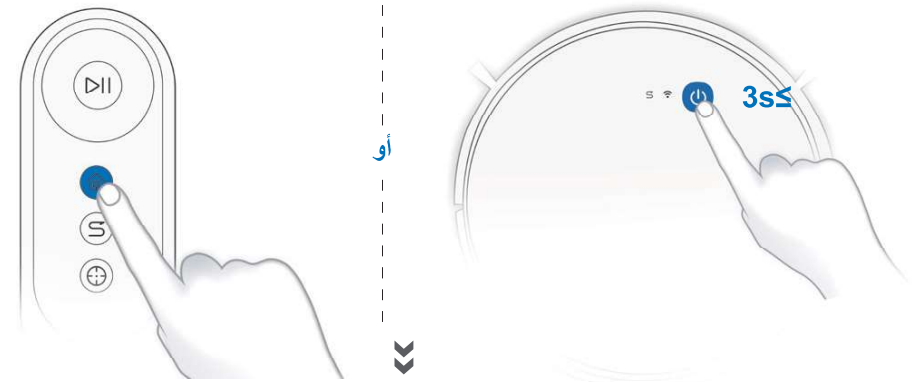
Q ECOVACS HOME



✓ iOS 9.0 or later ✓ Android 4.0 or later



3 العودة إلى قاعدة الشحن



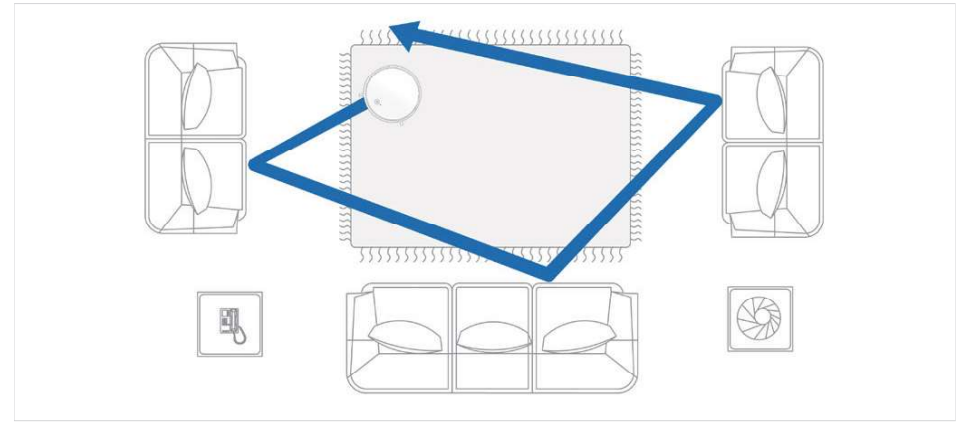
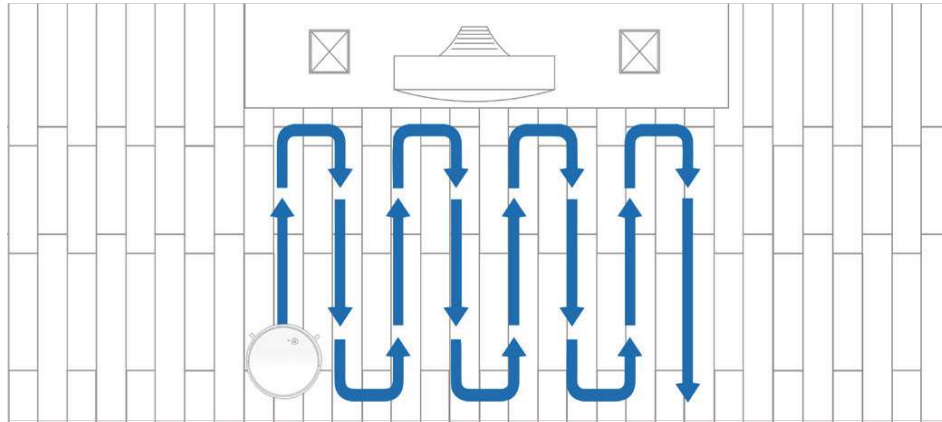
3. التشغيل والبرمجة

3.3 تحديد وضع التنظيف

1 وضع التنظيف التلقائي

لتبديل نمط التنظيف المبرمج (المحسن للأرضيات الصلبة) أو التبديل بين هذين النمطين، يجب اتخاذ الإجراء التالي:

سيتم تحديد نمط التنظيف العشوائي (المحسن للسجاد) افتراضياً.

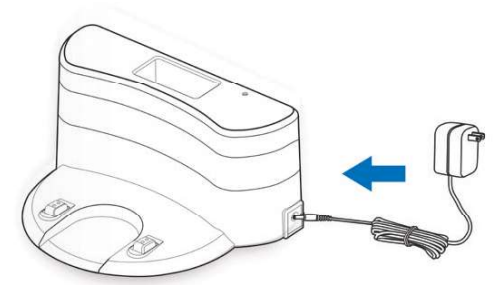


ملاحظة: لا يمكن تبديل نمط التنظيف حتى يتم إيقاف تشغيل جهاز DEEBOT مؤقتاً أو شحنه. سيبدأ جهاز DEEBOT دورة تنظيف جديدة عند تبديل نمط التنظيف. يضيء S عندما يتم تمكين نمط التنظيف المبرمج.

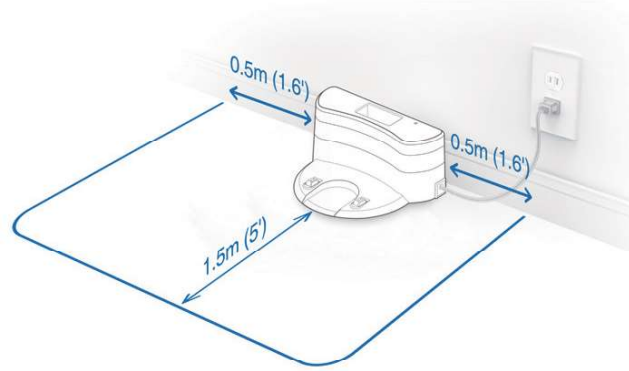
3. التشغيل والبرمجة

3.2 التحضير

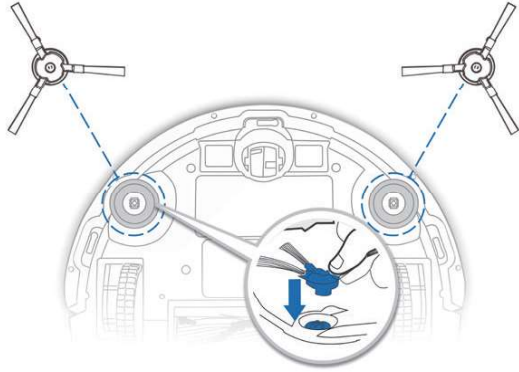
1 توصيل المحوّل



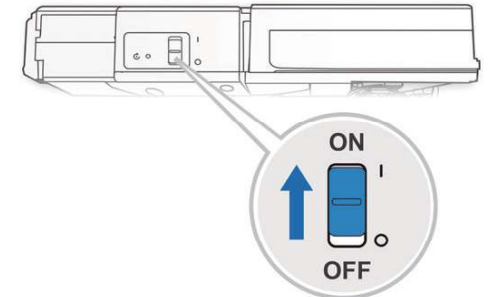
2 موضع قاعدة الشحن



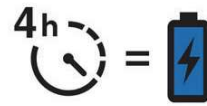
3 تركيب الفرششي الجانبية



4 تشغيل الجهاز



5 شحن DEEBOT

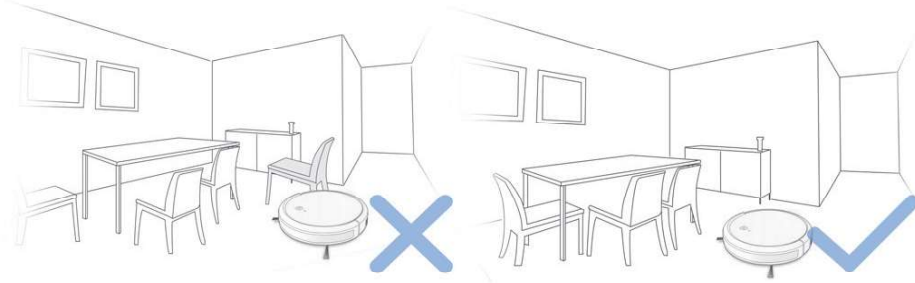


ملاحظة: عندما يُكمل DEEBOT دورة التنظيف أو عندما ينخفض مستوى طاقة البطارية، يعود إلى قاعدة الشحن تلقائيًا لإعادة شحن نفسه.

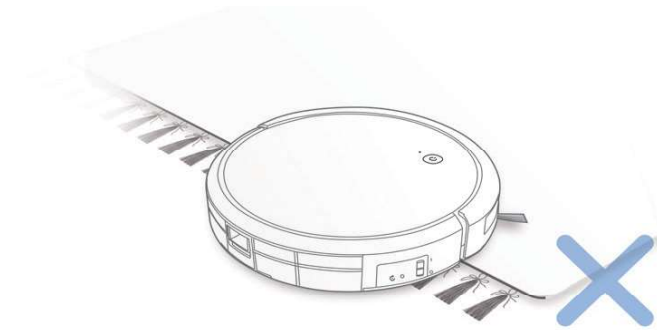
3. التشغيل والبرمجة

3.1 ملاحظات قبل التنظيف

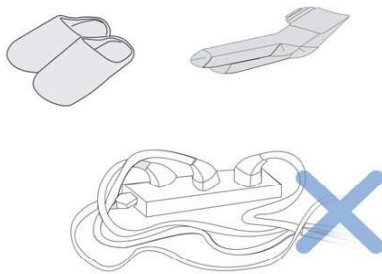
تحذير: لا تستخدم جهاز DEEBOT على أسطح رطبة أو أسطح مع مياه راكدة.



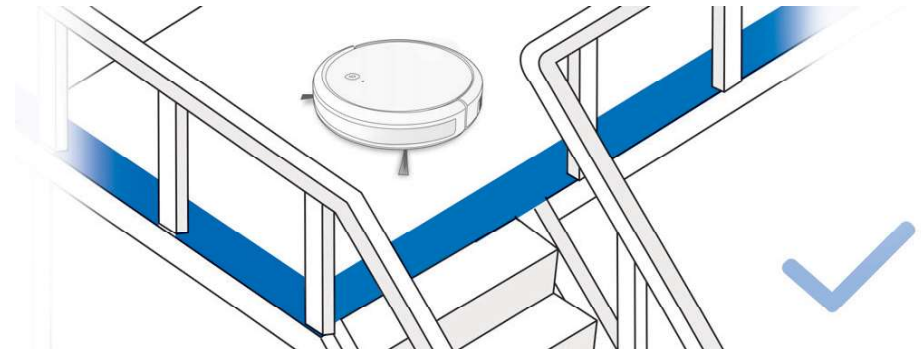
رتّب منطقة التنظيف واضعًا الأثاث، مثل الكراسي، في مكانها الصحيح.



قبل استخدام المنتج على سجاد مع شراريب، يُرجى ثني طرفي السجادة إلى الداخل.



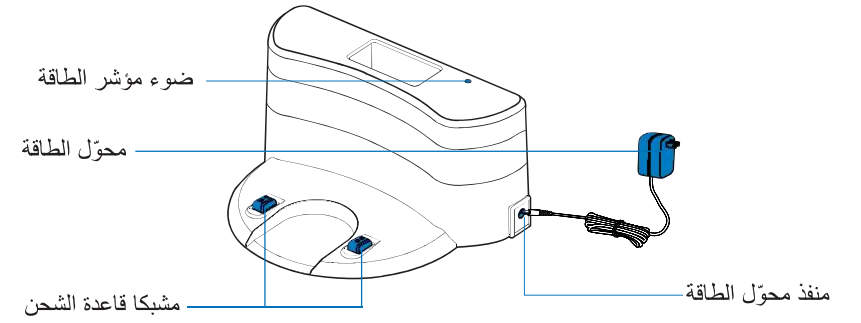
أزل أسلاك الطاقة والأغراض الصغيرة التي يمكن أن تعيق الروبوت أثناء تنظيف الأرضية.



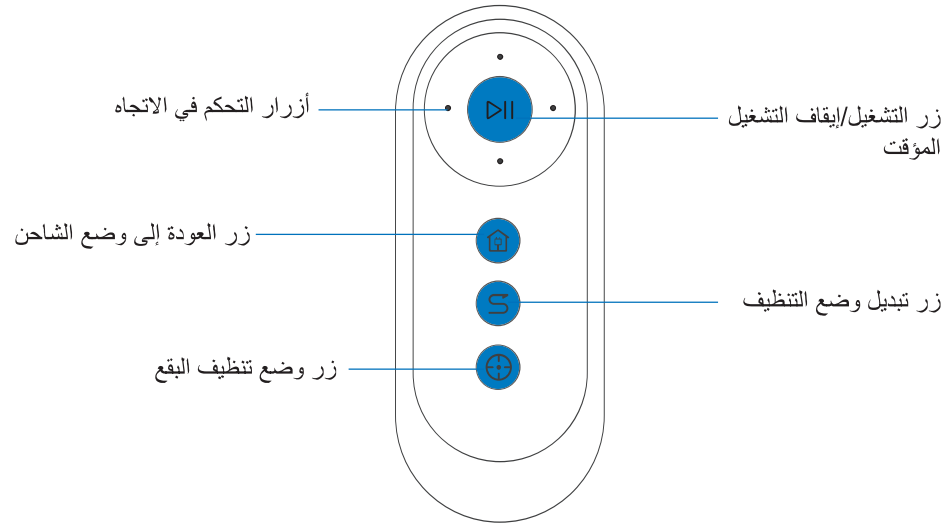
قد تضطر إلى وضع حاجز فاصل بالقرب من الحافة لمنع وقوع الوحدة عنها.

2. محتويات الحزمة

قاعدة الشحن



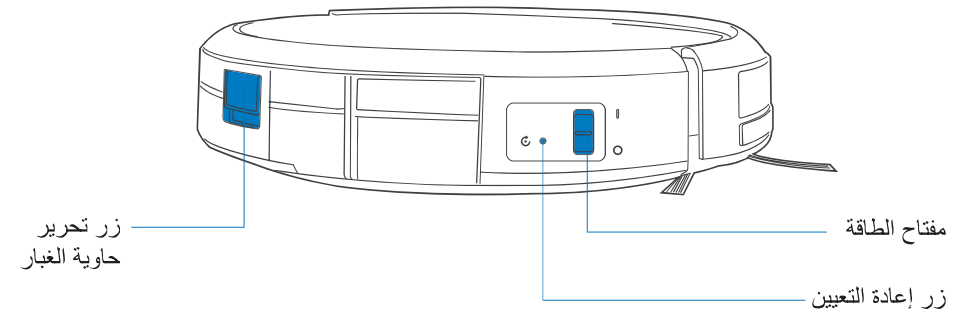
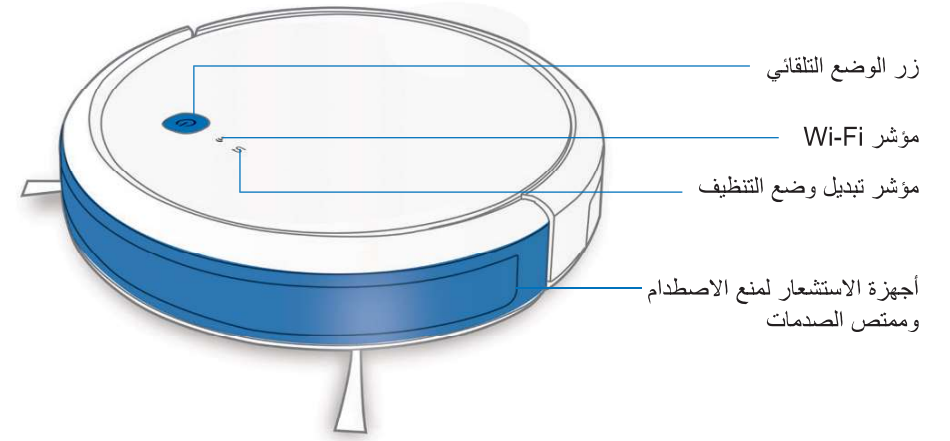
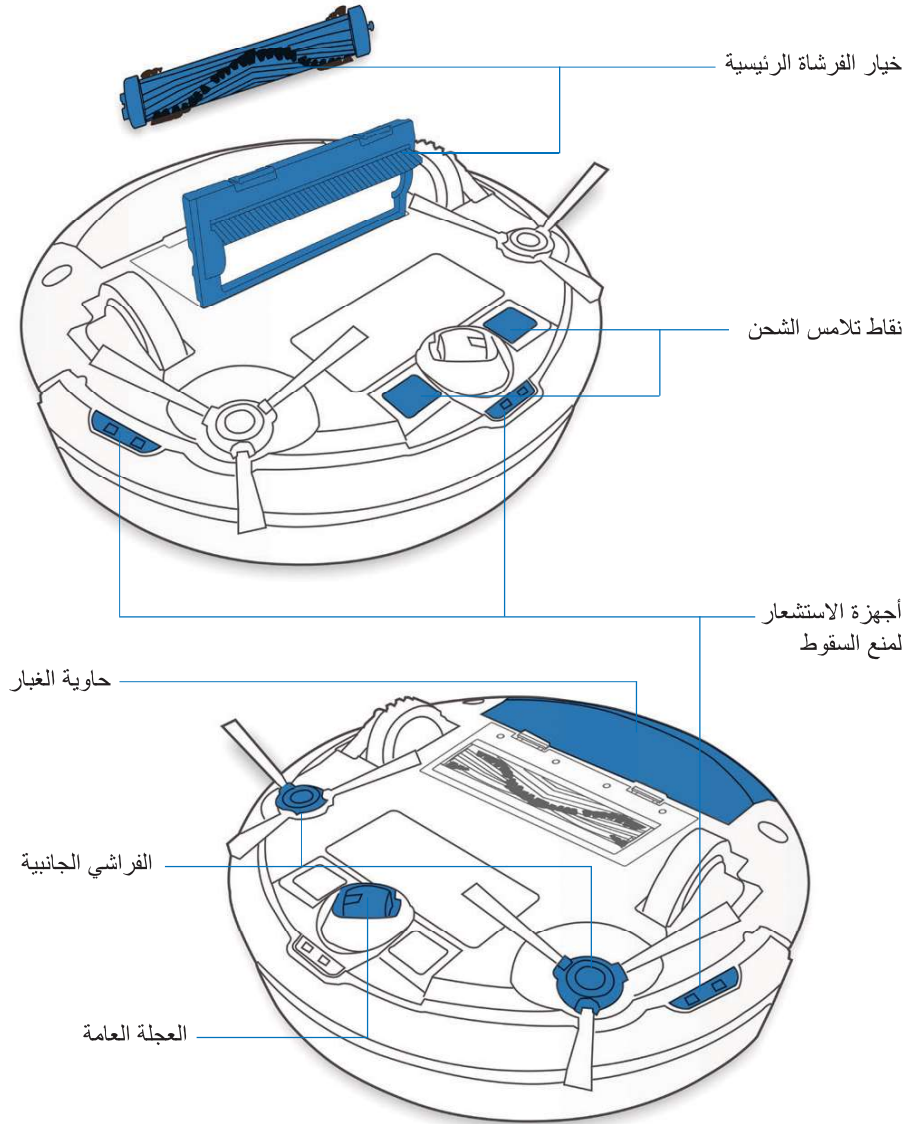
جهاز التحكم عن بُعد



2. محتويات الحزمة

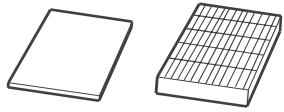
2.3 الرسم التخطيطي للمنتج الروبوت

عرض الجهة السفلية

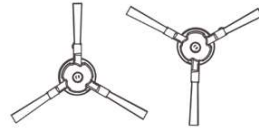


2. محتويات الحزمة

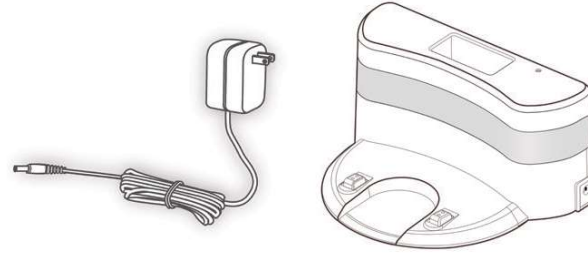
2.1 محتويات الحزمة



فلتر إسفنجي وفلتر عالي الفعالية



فراشٍ جانبية (4)



قاعدة الشحن + محول الطاقة



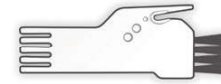
الروبوت



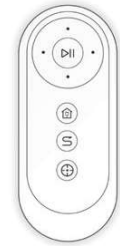
دليل التشغيل السريع



دليل التعليمات



أداة تنظيف متعددة الوظائف



جهاز التحكم عن بُعد مع بطاريات

ملاحظة: إنّ الصور والأشكال مرجعية فقط وقد تختلف عن مظهر المنتج الفعلي. وقد يخضع تصميم المنتج ومواصفاته لتغييرات من دون إشعار.

1. تعليمات السلامة المهمة

لدول الاتحاد الأوروبي



التخلص بشكل صحيح من هذا المنتج

يشير هذا الرمز إلى أنه يجب عدم التخلص من هذا المنتج مع النفايات المنزلية العادية في كل أنحاء الاتحاد الأوروبي. لمنع إلحاق أي ضرر بالبيئة أو بصحة الإنسان ناتج عن التخلص غير المسؤول من النفايات، أعد تدوير المنتج بشكل مسؤول لتشجيع إعادة الاستخدام المستدام للموارد المادية. لإعادة تدوير الجهاز المستخدم، يُرجى استخدام أنظمة الإعادة والتجميع أو اتصل ببائع التجزئة الذي اشترى منه الجهاز، إذ باستطاعته إعادة تدوير هذا المنتج بأمان.

34. يجب عدم إعادة شحن البطاريات غير القابلة لإعادة الشحن.
35. يجب عدم المزج بين أنواع البطاريات المختلفة أو البطاريات الجديدة والمستعملة.
36. يجب إدخال بطاريات جهاز التحكم عن بُعد مع مراعاة القطبية الصحيحة.
37. يجب إزالة البطاريات المستنفدة من الجهاز والتخلص منها بأمان.
38. في حال عدم استخدام جهاز التحكم عن بُعد لفترة طويلة، فيجب إزالة البطاريات منه.
39. يجب عدم تقصير دائرة محطات الإمداد.

1. تعليمات السلامة المهمة

22. أوقف تشغيل مفتاح الطاقة قبل تنظيف الجهاز أو صيانته.
23. يجب إزالة القابس من المقبس قبل تنظيف قاعدة الشحن أو صيانتها.
24. أزل الجهاز من قاعدة الشحن وأوقف تشغيل مفتاح الطاقة قبل إزالة البطارية للتخلص من الجهاز.
25. يجب إزالة البطارية والتخلص منها وفقاً للقوانين والأنظمة المحلية قبل التخلص من الجهاز.
26. يُرجى التخلص من البطاريات المستعملة وفقاً للقوانين والأنظمة المحلية.
27. لا تحرق الجهاز في حال تعرّضه لتلف شديد. يمكن أن تنفجر البطاريات في حال نشوب حريق.
28. في حال عدم استخدام قاعدة الشحن لفترة طويلة، يُرجى فصلها عن الكهرباء.
29. يجب أن تستخدم الجهاز وفقاً للإرشادات الموجودة في دليل التعليمات هذا. لا تتحمل شركة ECOVACS ROBOTICS مسؤولية أي أضرار أو إصابات ناجمة عن الاستخدام غير السليم.
30. يحتوي الروبوت على بطاريات لا يمكن استبدالها إلا على يد شخص متخصص. لاستبدال البطارية أو إزالتها، يُرجى الاتصال بقسم خدمة العملاء.
31. في حال لن يتم استخدام الروبوت لفترة طويلة، اعمد إلى شحن الروبوت بالكامل وأوقف تشغيله لتخزينه وافصل قاعدة الشحن عن الكهرباء.
32. **تحذير:** بهدف شحن البطارية، استخدم فقط وحدة الإمداد القابلة للفصل YJS015F-1900600B (HK)/YJS015F-1900600T (TW)/YJS015F-1900600A (AU)/YJS015F-1900600TH (TH)/DK18-190060H-B (MY/SG) المزودة بهذا الجهاز.
33. يقوم جهاز التحكم عن بُعد بتثبيت بطاريتين غير قابلتين لإعادة الشحن بحجم AAA مسبقاً. لاستبدال بطارية جهاز التحكم عن بُعد، أدر جهاز التحكم عن بُعد، ثم اضغط على غطاء البطارية وأزله. بعد ذلك، أزل البطاريات وأدخل البطاريات الجديدة. مراعيًا القطبية الصحيحة. وأخيراً، أعد تجميع غطاء البطارية.

1. تعليمات السلامة المهمة

9. لا تشغل الجهاز في مكان فيه شموع مضاءة أو أغراض سهلة الكسر.
10. لا تستخدم في البيئات الشديدة البرودة أو السخونة (دون الـ -5 درجة مئوية/23 فهرنهايت وفوق الـ 40 درجة مئوية/104 فهرنهايت).
11. أبق الشعر والملابس الفضفاضة والأصابع وكل أجزاء الجسم بعيداً عن أي فتحات وأجزاء متحركة.
12. لا تشغل الجهاز في غرفة ينام فيها رضيع أو طفل.
13. لا تستخدم الجهاز على أسطح رطبة أو أسطح مع مياه راكدة.
14. لا تسمح للجهاز بالتقاط أجسام كبيرة مثل الحجارة أو قطع كبيرة من الورق أو أي غرض قد يتسبب بسدّ الجهاز.
15. لا تستخدم الجهاز لالتقاط المواد القابلة للاشتعال أو للانفجار مثل البنزين أو حبر الآلة الطابعة أو الناسخة، ولا تستخدمه في المناطق التي قد تتواجد فيها تلك المواد.
16. لا تستخدم الجهاز لالتقاط أي غرض فيه نار أو دخان، مثل السجائر أو عيدان الكبريت أو الرماد الساخن أو أي مادة قد تتسبب في حدوث حريق.

17. لا تضع أغراضاً في فتحة الشفط. لا تستخدم الجهاز إذا كانت فتحة الشفط مسدودة. لا تترك غباراً أو وبراً أو شعراً أو أي شيء قد يقلل من تدفق الهواء داخل الفتحة.
18. احرص على عدم إلحاق ضرر بسلك الطاقة. لا تسحب الجهاز أو قاعدة الشحن أو تحملهما بواسطة سلك الطاقة، ولا تستخدم سلك الطاقة كمقبض، ولا تغلق الباب على سلك الطاقة، ولا تمرر سلك الطاقة على حواف أو زوايا حادة. لا تمرر الجهاز على سلك الطاقة. حافظ على سلك الطاقة بعيداً عن الأسطح الساخنة.
19. في حال تلف سلك الطاقة، فيجب استبداله من قبل الشركة المصنّعة أو وكلاء الصيانة التابعين لها لتجنب حدوث مخاطر.
20. لا تستخدم قاعدة الشحن في حال كانت تالفة.
21. لا تستخدم الجهاز إذا كان سلك الطاقة أو المقبس تالفاً. ولا تستخدم الجهاز أو قاعدة الشحن في حال كانا لا يعملان بشكل صحيح أو في حال تم إسقاطهما أو تم إلحاق ضرر بهما أو تم تركهما في الخارج أو في حال ملامستهما للماء. يجب إصلاح الجهاز من قبل الشركة المصنّعة أو وكلاء الصيانة التابعين لها لتجنب حدوث مخاطر.

1. تعليمات السلامة المهمة

عند استخدام جهاز كهربائي، يجب اتباع احتياطات السلامة الأساسية دائمًا، بما في ذلك:

**اقرأ التعليمات كافة قبل استخدام هذا الجهاز.
احفظ هذه التعليمات**

1. يمكن استخدام هذا الجهاز من قبل للأطفال الذين يبلغون من العمر 8 سنوات وما فوق والأشخاص الذين يعانون نقصًا في القدرات الجسدية أو الحسية أو العقلية، أو الذين لا يتمتعون بالخبرة والمعرفة الكافيتين، إذا لم يتلقوا الإشراف أو التعليمات بشأن استخدام الجهاز بطريقة آمنة وكانوا يفهمون المخاطر ذات الصلة. لا ينبغي السماح للأطفال باللعب بالجهاز. لا يجب أن يتم التنظيف والصيانة من قبل المستخدم بواسطة الأطفال من دون إشراف.
2. أزل كل العوائق من المنطقة التي تريد تنظيفها. أزل أسلاك الطاقة والأغراض الصغيرة التي يمكن أن تعرقل الجهاز أثناء تنظيفه الأرضية. اعمد إلى ثني شراريب السجادة تحت قاعدة السجادة ثم ارفع الأغراض مثل الستائر وأغطية المائدة عن الأرض.

3. إذا كان هناك من منحدر في المكان الذي تريد تنظيفه نتيجة وجود درجة ما أو سُلّم، فيجب أن تشغل الجهاز للتأكد من أنه يستطيع الكشف عن تلك الدرجة من دون أن يقع. قد تضطر إلى وضع حاجز فاصل بالقرب من الحافة لتجنب وقوع الوحدة. تأكد من أن الحاجز الفاصل لا يشكل خطرًا.
4. استخدم المنتج فقط كما هو موضح في هذا الدليل. استخدم الملحقات الموصى بها أو التي يتم بيعها من قبل الجهة المصنّعة فقط.
5. يُرجى التأكد من أن فولتية الطاقة تتطابق والفولتية المحددة على قاعدة الشحن.
6. هذا الجهاز مُعدّ للاستخدام داخل المنزل فقط. لا تستخدم الجهاز في البيئات الخارجية أو التجارية أو الصناعية.
7. يحظر استخدام البطاريات غير القابلة لإعادة الشحن. للحصول على المزيد من المعلومات حول البطارية، يرجى الرجوع إلى قسم المواصفات.
8. لا تستخدم الجهاز بدون وضع حاوية الغبار و/أو الفلاتر في مكانها.

114.....	1. تعليمات مهمة حول السلامة.....
118.....	2. محتويات الحزمة.....
121.....	3. التشغيل والبرمجة.....
126.....	4. الصيانة.....
130.....	5. ضوء المؤشر وأصوات التنبيه.....
131.....	6. استكشاف الأخطاء وإصلاحها.....
133.....	7. المواصفات التقنية.....

تهانينا لشرائك جهاز DEEBOT من شركة ECOVACS ROBOTICS! نأمل أن تظل راضيًا عن هذا المنتج لسنوات كثيرة. نحن على ثقة بأن شراء الروبوت الجديد سيساعدك في الحفاظ على نظافة منزلك وسيسمح لك بتكريس المزيد من الوقت لإنجاز أمور أخرى.

Live Smart. Enjoy Life.

في حال واجهت حالات لم تتم معالجتها بشكل ملائم في دليل التعليمات هذا، يُرجى الاتصال بمركز خدمة العملاء حيث سيقوم فنيّ بمعالجة مشكلتك أو الإجابة عن سؤالك.

لمزيد من المعلومات، يرجى زيارة موقع الويب الرسمي لشركة ECOVACS ROBOTICS: www.ecovacs.com

تحتفظ الشركة بحق إجراء تغييرات على المنتج من ناحية التكنولوجيا و/أو التصميم بغية تحسينه بشكل مستمر.

شكرًا لاختيارك DEEBOT!

Ecovacs Robotics Co., Ltd

No. 18 You Xiang Road, Wuzhong District, Suzhou City,
Jiangsu Province, P.R.China

DO3G-A01-IM2018R00