

# BI WMWG 71253E EU

12NC: 859991559330

GTIN (EAN) code: 8003437234620

Whirlpool

SENSING THE DIFFERENCE



## Whirlpool built in front loading washing machine: Whirlpool built in washing machine, 7 kg - BI WMWG 71253E EU

This Whirlpool built in Washing Machine features: white color. A spacious 7kg capacity. Our small compact appliance is the perfect solution for a small place. A fast, resource-efficient 1200 revolutions per minute spin speed. Exclusive 6th SENSE technology, that dynamically adapts settings to each specific load, ensuring ideal care for all your fabrics.



### 6th Sense Technology

Discover perfect care. 6th SENSE intelligent sensors adapt resources according to the size and type of load, offering savings of up to 50%\* on energy, water and time. (\*Comparison between maximum load and 1kg load on washer with 6th SENSE function and Cotton 60° program.)



### FreshCare+

Keep your garments fresh after the cycle is over. Innovative FreshCare+ system takes care of your garments inside the washing machine with delicate steaming and tumbling action[i]. The new FreshCare+ system gently massages the laundry with regular slow movements alternated with steam actions - letting air circulate inside the fibers to keep garments fresh and prevent bad odours. FreshCare+ treatment leaves truly fresher clothes and peace of mind - even hours after the end of the cycle. [i] FreshCare+ treatment inhibits the proliferation of the main bad odour sources (inside the washing machine) up to 6 hours after the washing ends. Not compatible with programmes designed for delicate garments and duvets.



### Precision Clean

Ideal washing results. PrecisionClean's powerful water jets focus directly on the dirt, not on the fibre, providing ideal washing results, always.



### 1200 rpm

Outstanding speed. This Whirlpool Washing Machine features a 1200 rounds per minute spin speed.



### A+++ energy efficiency

Outstanding energy efficiency. With its A+++ energy rating, this Whirlpool Washing machine will allow you to enjoy both ideal results and lower energy consumption.



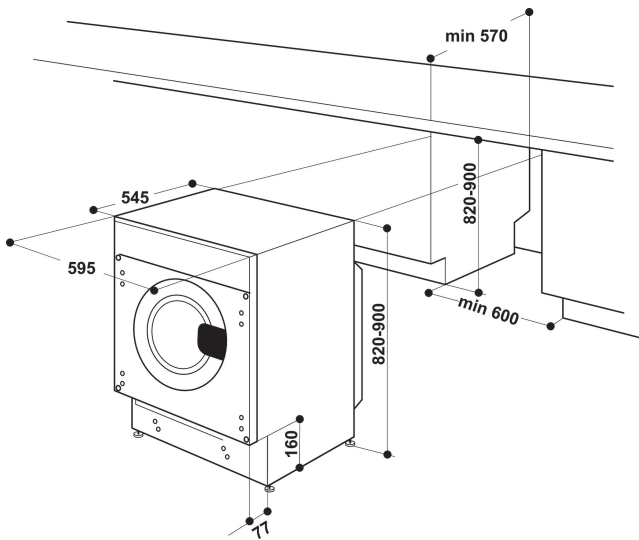
### 7kg capacity

This Whirlpool Washing Machine offers 7kg drum capacity for your laundry.



### Water protection system

Protection against leaks. The Aqua Stop protection system ensures the flow of water to your appliance is immediately interrupted, in case of leakage.



- Energy class A+++
- Washing capacity: 7 kg
- Maximum spin speed: 1200 rpm
- 6TH Sense Technology
- Water Safety: 1 Eltek
- Water consumption: 52 L
- SoftMove
- FreshCare+
- PrecisionClean
- Daily 30°
- Daily 40°
- Daily mixed 40°C
- Rapid
- Chrono 30°C
- Eco Cotton
- Mixed Fabrics Program
- Special Big Items Program

# BI WMWG 71253E EU

12NC: 859991559330

GTIN (EAN) code: 8003437234620

Whirlpool

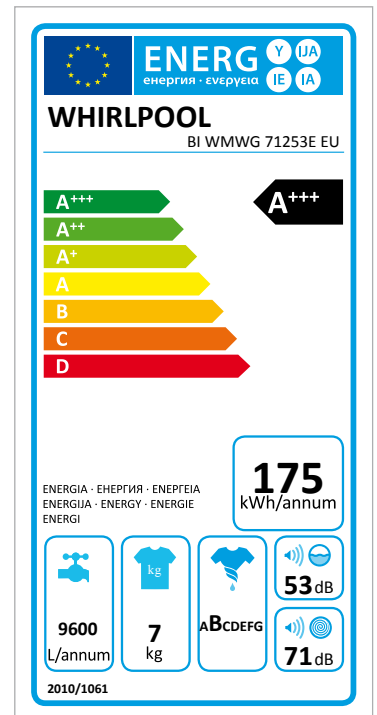
SENSING THE DIFFERENCE

## MAIN FEATURES

Product group	Washing machine
Construction type	Built-in
Installation type	Built-in
Removable work top	No
Loading type	Front loader
Main colour of product	White
Electrical connection rating (W)	1850
Current (A)	10
Voltage (V)	220-240
Frequency (Hz)	50
Length of Electrical Supply Cord (cm)	170
Plug type	Schuko
Height of the product	820
Width of the product	595
Depth of the product	545
Net weight (kg)	64.4

## TECHNICAL FEATURES

Automatic programmes	Yes
Spin speed options	Variable
Skip spin	Yes
Weight measurement	-
Textile type recognition	No
Degree of dirtiness recognition	No
Foam control	Yes
Balance control	Yes
Type of water protection system	1 Eltek
Cold wash option	No
Progress indicator	DISPLAY
Digital countdown indicator	No
Start delay options	Continuous
Start delay time max. (h)	0
Tub material	Plastic
Drum volume (l)	52
Hot & cold water intake?	No
Gross weight (kg)	66.5
Height of the packed product	890
Width of the packed product	645
Depth of the packed product	595



## PERFORMANCES

Energy efficiency class - NEW (2010/30/EU)	A+++
Energy consumption annual (kWh/annum) - NEW (2010/30/EU)	175
Washing performance class	A
Maximum spin speed (rpm) - NEW (2010/30/EU)	1200
Capacity cotton (kg) - NEW (2010/30/EU)	7
Water consumption annual (l/annum) - NEW (2010/30/EU)	9600
Energy consumption 60 °C full load	1
Power consumption in left-on mode - NEW (2010/30/EU)	8
Power consumption in off-mode - NEW (2010/30/EU)	0.5
Moisture content % on dry load after max. spin - NEW (2010/30/EU)	53
Average washing time cotton 60°C (full load) - NEW (2010/30/EU)	270
Noise level washing (dB(A) re 1 pW)	53
Noise level spinning (dB(A) re 1 pW)	71