



# MASTER LEDspot LV AR111

## MAS LEDspotLV D 20-100W 827 AR111 24D

Delivering a warm, halogen-like accent beam, MASTER LEDspot LV AR111 is an ideal retrofit solution for spot and general lighting applications in the hospitality and retail industry. It is particularly suitable for general lighting where the light is on all the time, such as creative accent lighting applications in shops, restaurants, hotels, and especially for galleries, exhibitions and museums. The robustly designed MASTER LEDspot LV AR111 offers various beam angles for a clearly defined beam spread. There is no UV or IR in the beam, making it suitable for illuminating heat-sensitive objects (food, organic materials, paintings, etc.). The patented intelligent driver enables broad compatibility with existing electromagnetic and electronic halogen transformers. MASTER LEDspot LV AR111 delivers huge energy savings and minimises maintenance cost without any reduction in brightness.

### Product data

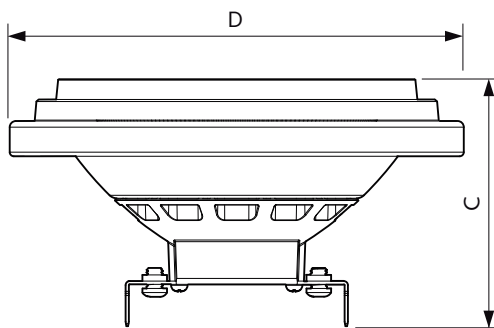
General Information		Operating and Electrical	
Cap base	G53 [ G53]	Rated beam angle	24 °
Nominal lifetime (nom.)	25000 h	Correlated colour temperature (nom.)	2700 K
Switching cycle	50000X	Luminous efficacy (rated) (nom.)	59.00 lm/W
Technical type	20-100W	Colour consistency	<3
		Color rendering index (nom.)	80
		LLMF at end of nominal lifetime (nom.)	70 %
		Luminous Flux in 90° Cone (Rated)	1180 lm
Light Technical			
Colour code	827 [ CCT of 2,700 K]	Power (Rated) (Nom)	20 W
Beam Angle (Nom)	24 °	Lamp current (nom.)	2400 mA
Light distribution	24D [ Medium beam]	Wattage equivalent	100 W
Luminous flux (nom.)	1180 lm	Starting time (nom.)	0.5 s
Luminous flux (rated) (nom.)	1180 lm	Warm-up time to 60% light (nom.)	0.5 s
Luminous intensity (nom.)	5800 cd		
Colour designation	Warm white (WW)		

# MASTER LEDspot LV AR111

Power factor (nom.)	0.7
Voltage (Nom)	12 V
<b>Temperature</b>	
T-Case maximum (nom.)	80 °C
<b>Controls and Dimming</b>	
Dimmable	yes
<b>Approval and Application</b>	
Energy efficiency label (EEL)	A
Suitable for accent lighting	Yes
Energy Consumption kWh/1000 h	22 kWh

<b>Product Data</b>	
Full product code	871869651504400
Order product name	MAS LEDspotLV D 20-100W 827 AR111 24D
EAN/UPC – product	8718696515044
Order code	51504400
Local Code	ML20AR11182724
Numerator – quantity per pack	1
Numerator – packs per outer box	6
Material no. (12NC)	929001170802
Net weight (piece)	0.160 kg

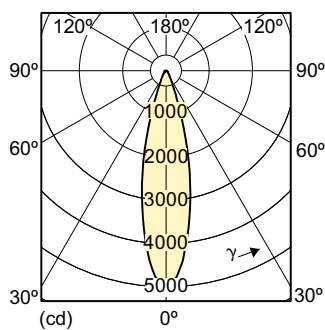
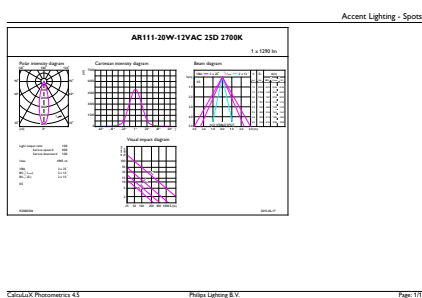
## Dimensional drawing



LED D 20-100W 827 AR111 24D

Product	D	C
MAS LEDspotLV D 20-100W 827 AR111 24D	111 mm	62 mm

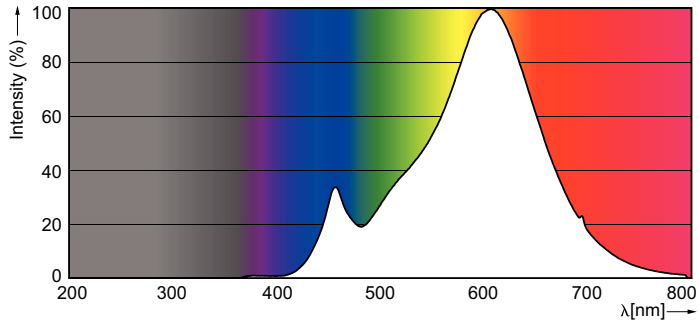
## Photometric data



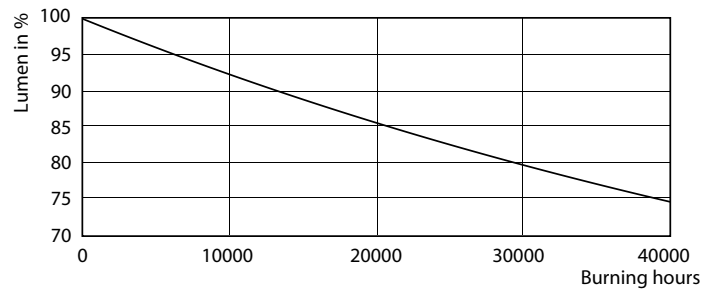
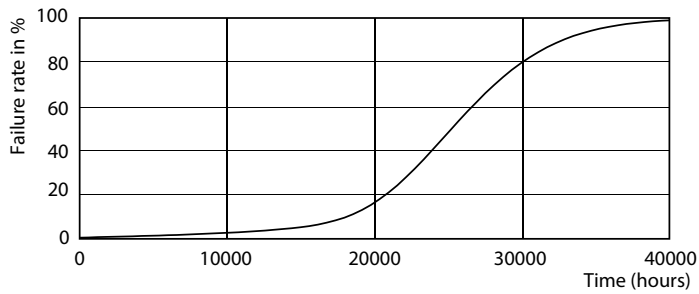
MASTER LEDspot LV AR111 100W G53 827 24D

# MASTER LEDspot LV AR111

## Photometric data



## Lifetime



MASTER LEDspotLV AR111 100W G53 40D

MASTER LEDspotLV AR111 100W G53 40D

