

# Verbatim LED Recessed Downlight INDIRECT 170mm 15W 3000K 1100lm 25° White

- Beautiful, indirect light
- Minimum glare (UGR<15.6) and high visual comfort
- 70,000 hours lifetime (L80B10)
- Light output of 1100lm
- 3000K warm white light
- 25° beam angle
- DALI option available
- Narrow binning of SDCM ≤3
- 5 Years Warranty



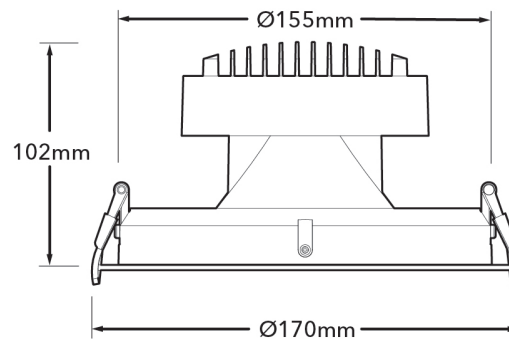
<b>Product Number</b>	<b>52505</b>
<b>General Data</b>	
Installation type	Recessed
Housing material	Aluminium & PBT
Housing colour	white - RAL9003
Protection class	IP40
Dimmable	Yes with optional DALI driver
<b>Geometric Data</b>	
Height (mm)	102
Outer diameter (mm)	170
Inner diameter (mm)	155
Weight (g)	695
Cut-out dimensions (mm)	155
<b>Electric Data</b>	
Wattage (W)	15
Voltage (V)	220-240
Current (mA)	68
Power Factor	0.9
Operating Frequency (Hz)	50/60
Safety Class	Class III
Power supply	External
<b>Photometric Data</b>	
Luminous Flux (lm)	1100
CRI	80
CCT (K)	3000
Luminous Efficacy (lm/W)	73
Luminous Intensity (cd)	3400
Beam Angle (°)	25
UGR	15.6
<b>Lifespan</b>	
Lifetime (hrs)	70,000 (L80B10)
Switching Cycle	100,000
<b>Mechanical Parameters</b>	
Glow wire test	850±°C




## Product image



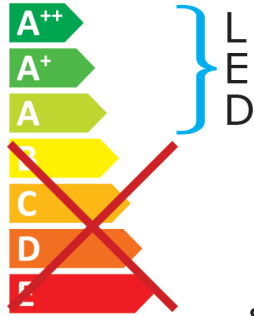
## Technical drawing




### Energy Rating



This luminaire contains built-in LED lamps.





The lamps cannot be changed in the luminaire.

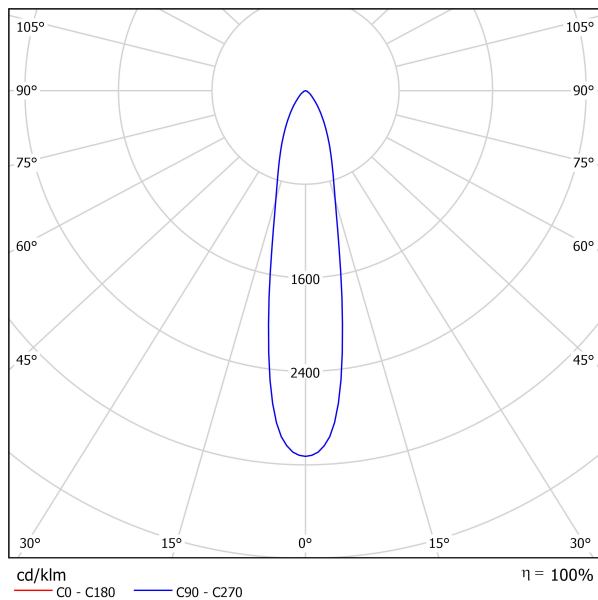
Verbatim 52505
874/2012

### Technical Packaging Details

<b>Barcode</b>	023942525059
<b>EAN 128</b>	(02)00023942525066(37)01(91)469
<b>EAN 14</b>	50023942525061
<b>Pack Dimensions(HxWxL)</b>	205 x 205 x 135 (mm)
<b>Pack Weight</b>	855 (g)
<b>MOQ</b>	1
<b>Cartons/Pallet</b>	105
<b>Layers/Pallet</b>	7
<b>Units/Pallet</b>	105



### Photometric Diagrams



0.5	0.19	E(0°) 13925 E(C0) 11.0° 6635
1.0	0.39	E(0°) 3481 E(C0) 11.0° 1659
1.5	0.58	E(0°) 1547 E(C0) 11.0° 737
2.0	0.78	E(0°) 870 E(C0) 11.0° 415
2.5	0.97	E(0°) 557 E(C0) 11.0° 265
3.0	1.17	E(0°) 387 E(C0) 11.0° 184

Distance [m]      Cone Diameter [m]      Illuminance [lx]  
— C0 - C180 (Half-value Angle: 22.0°)