

KVM over IP Console Station

KA8270 / KA8278 / KA8280 / KA8288

The KVM over IP Console Station (KA8270 / KA8278 / KA8280 / KA8288) is a standalone console that replaces PC or NB, enabling users to remotely access, monitor and control all servers connected to multiple ATEN's KVM over IP switches with impenetrable security against virus threats. It also supports various data encryption methods, ensuring impervious data protection. The KVM over IP Console Station can be deployed anywhere instant access is needed and stringent security required, ideal for applications such as studios, offices, data centers, broadcast stations, control rooms, or network operations centers (NOC).

All the KA8270, KA8278, KA8280, and KA8288 support USB mouse / keyboard and two USB ports for Virtual Media function, and respectively support 1 VGA video output, 1 VGA plus 1 HDMI video outputs, 1 HDMI video output, and 2 HDMI video outputs at resolutions up to 1920 x 1200 @ 60 Hz. With KA8278 and KA8288, users can multitask across two displays with a single keyboard and mouse.

In addition, the KVM over IP Console Station provides Panel Array Mode™ function, enabling administrators to monitor the video output of up to 64 servers simultaneously. The feature makes it possible for previewing the content of all the ports at the same time, which is especially suitable for environments such as manufacturing and surveillance that often require monitoring of a much higher number of ports.

Among its enhanced functions, the KA8278 / KA8288 supports extended desktop by displaying remotely connected PCs on its dual screens, offering users a wider view during control. For easy collaboration between multiple KVM over IP Console Stations, the users can not only share screen contents from one console station to another, but also share the necessary contents to a big TV, for acknowledgement by all operators, during an urgent event. In addition, the KVM over IP Console Station supports Telnet / SSH for management of console devices to allow users to have flexible control of all connected devices. To ensure security, its lock screen password function can effectively prevent unauthorized users from accessing an unattended console station to keep any critical data protected.

The KVM over IP Console Station can be set on a desk, mounted on a wall or at the rear of a rack with its space-saving 0U rack mount design. It is flexible and easy to install, and provides a GUI with multi-language interface for device management, user profile customization, as well as hassle-free configuration for large deployments.



KA8270 / KA8278 / KA8280 / KA8288 Front View



KA8270 Rear View



KA8280 Rear View



KA8278 Rear View



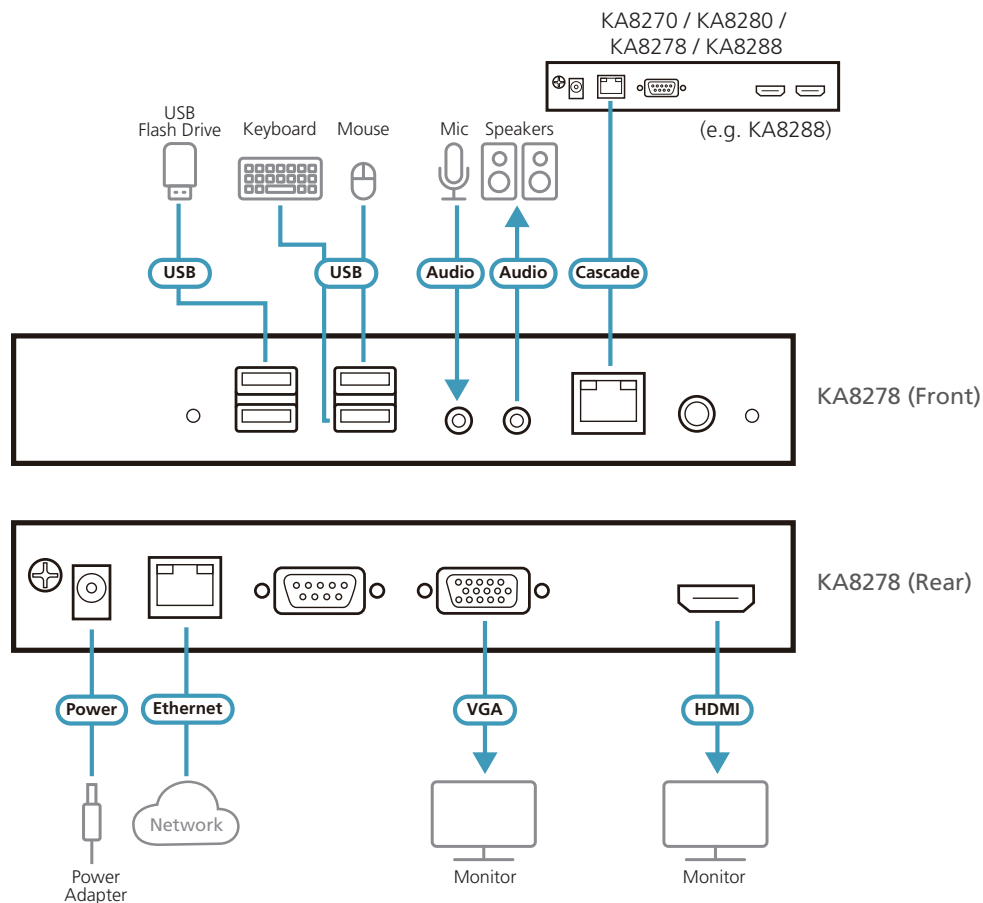
KA8288 Rear View



Features

- A standalone Java-free console that replaces PC or NB, enabling users to remotely access and control ATEN's KVM over IP switches
- Impenetrable security against virus threats and impervious data protection
- Single sign-on to consolidate the management of multiple ATEN's KVM over IP switches
- Advanced FPGA graphics processor — with a Full HD resolution of 1920 x 1200
- Supports 1 VGA video output (KA8270) or 1 HDMI video output (KA8280)
- Supports 1 VGA plus 1 HDMI video outputs (KA8278) or 2 HDMI video outputs (KA8288) — enables users to multitask across two displays with a single keyboard and mouse
- Panel Array Mode™ — allows administrators to monitor the video output of up to 64 servers on one screen simultaneously
- Supports Boundless Switching — allows users to control up to 4 screens between two console stations by using one set of keyboard & mouse
- Extended desktop — supports extended display for remotely connected PCs on the dual screens of KA8278 / KA8288
- Share screen — shares screen content from one console station to another for real-time collaboration
- Supports Telnet / SSH for connecting to and management of console devices
- Supports RDP / VNC remote management for physical servers / virtual machines*
- Lock screen password — prevents unauthorized users from accessing the console station when unattended
- Supports Virtual Media
- Supports USB Smartcard
- Wall mountable — standard mounting kit included
- Space-saving 0U rack mount design for rear rack mounting
- GUI with multi-language interface

Note: The audio function is not supported and it will be available in future firmware updates.



Specifications

	KA8270	KA8278	KA8280	KA8288
Connectors				
Video	1 x HDB-15 Female	1 x HDB-15 Female 1 x HDMI Female	1 x HDMI Female	2 x HDMI Female
RS-232	1 x DB-9 Male			
Power	1 x DC Jack			
Audio	2 x Audio Jack Female			
LAN Ports	1 x RJ-45 Female			
Keyboard	1 x USB Type-A Female			
Mouse	1 x USB Type-A Female			
USB Port	2 x USB Type-A Female			
Cascade Port	1 x RJ-45 Female			
LEDs				
Power	1 (Blue)			
Switches				
Power	1 x Pushbutton			
Reset	1 x Semi-recessed Pushbutton			
Video	1920 x 1200 @ 60 Hz			
Power Consumption	DC 5V: 4.66W: 47.44BTU	DC 5V: 6.53W: 56.18BTU	DC 5V: 4.66W: 47.44BTU	DC 5V: 6.53W: 56.18BTU
Environmental				
Operating Temperature	0 - 40 °C			
Storage Temperature	-20 - 60 °C			
Humidity	0 - 80% RH, Non-condensing			
Physical Properties				
Housing	Metal			
Weight	0.75 kg	0.80 kg	0.75 kg	0.80 kg
Dimensions (L x W x H)	17.42 x 15.54 x 2.88 cm			
Compatible Appliances				
KVM over IP switches	KN1132V, KN2116VA, KN4116VA, KN2132VA, KN4132VA, KN4164V, KN8132V, KN8164V, KN2124VA, KN4124VA, KN2140VA, KN4140VA, CN8000A, KN1000A, KN1108VA, KN1116VA, KL1108V, KL1116V, CN9600, CN9000, CN9950 (up to FHD)			

ATEN International Co., Ltd.

3F, No.125, Sec. 2, Datung Rd., Sijhih District., New Taipei City 221, Taiwan
 Phone: 886-2-8692-6789 Fax: 886-2-8692-6767
 www.aten.com E-mail: marketing@aten.com

Product information is subject to change without prior notice.

Released: 10/2022 V6.0

© Copyright 2022 ATEN® International Co. Ltd.
 ATEN and the ATEN logo are registered trademarks of ATEN International Co., Ltd.
 All rights reserved. All other trademarks are the property of their respective owners.
 The terms HDMI, HDMI High-Definition Multimedia Interface, and the HDMI Logo are trademarks or registered trademarks of HDMI Licensing Administrator, Inc.

