

FPMA-D1200BLACK

NEOMOUNTS DESK MONITOR ARM

SPECIFICATIONS

GENERAL

Min. screen size*	32 inch
Max. screen size*	60 inch
Min. weight	0 kg (per screen)
Max. weight	40 kg (per screen)
Screens	1
VESA minimum	200x200 mm
VESA maximum	600x400 mm
Desk mount	Grommet

FUNCTIONALITY

Type	Tilt Swivel Full motion
Height adjustment	40-60 cm
Depth adjustment	11,6 cm
Tilt (degrees)	-18°
Swivel (degrees)	290°
Rotate (degrees)	0°
Adjustment type	Manual

INFORMATION

Color	Black
Main material	Steel
Warranty	5 year
EAN code	8717371442781

*Please note: The inch sizes stated are just an indication, combined with the weight and VESA sizes. The maximum weight and VESA size are absolute restrictions for the products and should not be exceeded.



Neomounts



Neomounts

Neomounts Tilt/Turn/Rotate desk monitor arm (grommet) for 32-60" Monitor Screen, Height Adjustable - Black

The Neomounts desk mount, model FPMA-D1200BLACK is a tilt- and swivel desk mount for flat screens up to 60". This mount is a great choice for space saving placement on desks using a grommet mount.

Neomounts versatile tilt (90°) and swivel (360°) technology allows the mount to change to any viewing angle to fully benefit from the capabilities of the flat screen. The support is manually height adjustable from 46 to 60 centimetres. Depth 19 centimetres. An innovative cable management conceals and routes cables from mount to flat screen. Hide your cables to keep the workplace nice and tidy.

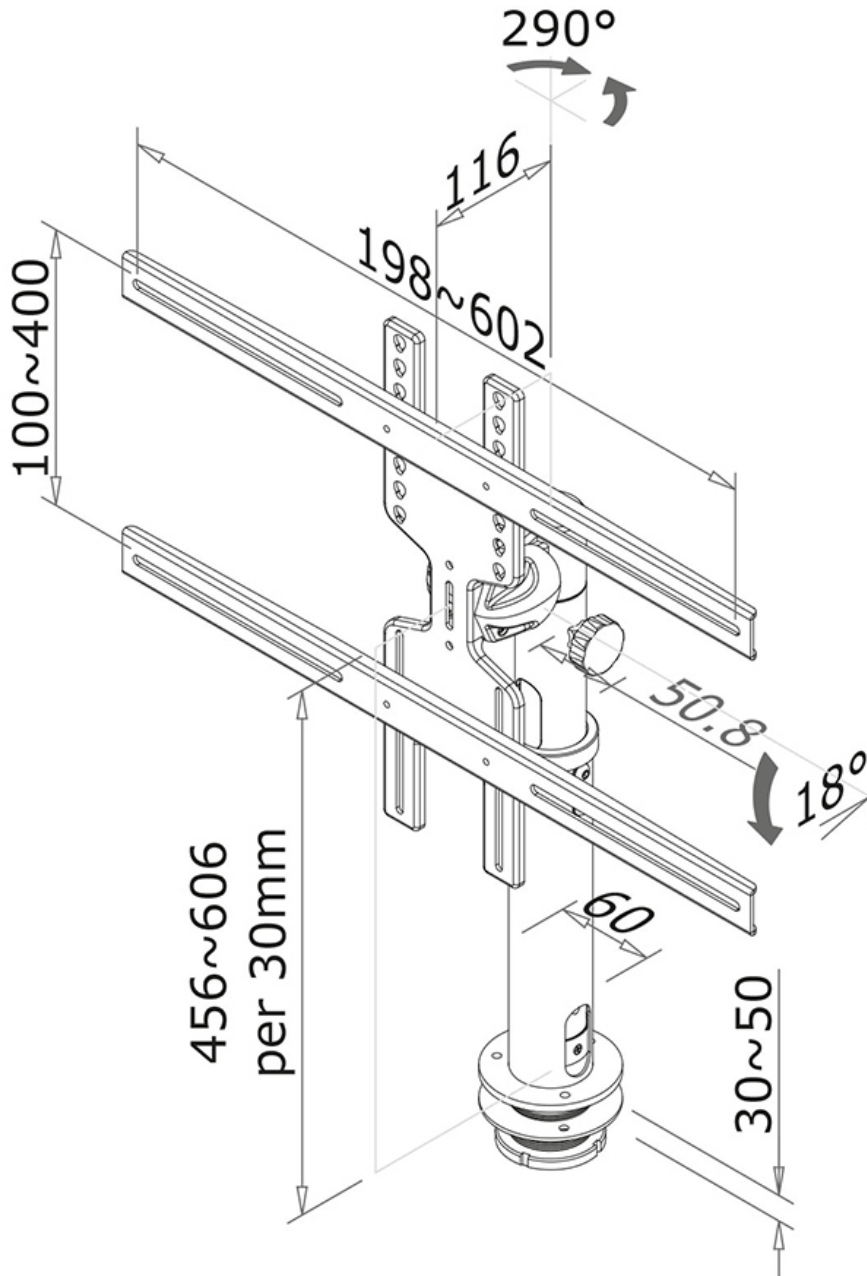
Neomounts FPMA-D1200BLACK has one pivot point and is suitable for screens up to 60" (152 cm). The weight capacity of this product is 40 kg each screen. The desk mount is suitable for screens that meet VESA hole pattern 200x200 to 600x400mm. Different hole patterns can be covered using Neomounts VESA adapter plates.

By using an ergonomic mount neck- and back complaints can be avoided. Ideal for use in offices and on counters or in a reception area.

All installation material is included with the product.

FPMA-D1200BLACK

NEOMOUNTS DESK MONITOR ARM



Neomounts

Measuring unit: mm