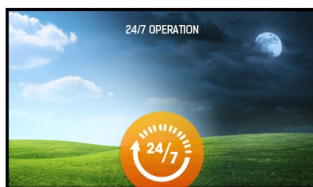


55" Professional Digital Signage display with an 24/7 operating time and 2500cd/m2 brightness

Enjoy the sun with the ProLite LH5510HSHB. A professional high-brightness Full HD (1920x1080) digital signage display with 2500cd/m2 for a crystal-clear image in any brightly-lit environment. Featuring a non-blackening IPS M+ LED panel for exceptional and long-lasting color and image performance and a 50% lower power consumption than industry average.

The LH5510HSHB comes with a landscape and portrait orientation and 24/7 operating time, offering businesses an effective and energy-efficient solution to help capture their audience's attention in even the brightest of places.



24/7

24/7 displays are designed for a continuous operation.



IPS Technology

IPS technology offers higher contrast, darker blacks and much better viewing angles than standard TN technology. The screen will look good no matter from what angle you look at it.

01 DISPLAY CHARACTERISTICS

Diagonal	55", 138.8cm
Panel	IPS M+ LED, matte finish
Native resolution	1920 x 1080 @60Hz ((2.1 megapixels Full HD))
Aspect ratio	16:9
Brightness	2500 cd/m ² typical
Static contrast	1000:1 typical
Response time	9ms
Viewing zone	horizontal/vertical: 178°/178°, right/left: 89°/89°, up/down: 89°/89°
Colour support	16.7mln 8bit
Horizontal Sync	30 - 83KHz
Vertical Sync	50 - 76Hz
Viewable area W x H	1209.6 x 680.4mm, 47.6 x 26.8"
Bezel width (sides, top, bottom)	15.3mm, 15.3mm, 15.3mm
Pixel pitch	0.630mm
Bezel colour and finish	black, matte

02 INTERFACES / CONNECTORS / CONTROLS

Analog signal input	VGA x1 ((max 1920x1080 @30hz))
Digital signal input	DVI x1 ((max 1920x1080 @30hz)) HDMI x1 ((max 1920x1080 @30hz)) DisplayPort x1 ((max 1920x1080 @30hz))
Audio input	Mini jack x1
Monitor control input	RS-232c x1
Audio output	Speakers 2 x 5W
HDCP	yes

03 FEATURES

Extra	LCD Blacking Defect Free (H-Tni 110 ⁰), handles, portrait orientation left and right, Sunlight readable
Max. non-stop operating time	24/7
Housing (bezel)	metal
Brightness sensor	yes

04 GENERAL

OSD languages	EN, DE, FR, IT, RU, CZ, NL, PL
Control buttons	Power, Up / Input Select, Menu, Down/ Brightness
User controls	brightness (OSD brightness, ambient light sensor OSD offset, brightness, contrast, exit), signal select, sound (volume, mute, exit), color (sRGB, color temperature, exit), image (auto adjustment, clock, phase, H. position, V. position, exit), tools (OSD control, reset, sharpness, 640/720, exit), exit
Plug&Play	DDC2B, Mac OSX

05 MECHANICAL

Orientation	landscape, portrait
Fanless design	yes

VESA mounting	400 x 200mm, 400 x 300mm
Operation temperature range	0°C - 50°C
Storage temperature range	- 20°C - 60°C
MTBF	100000 hours (excluding backlight)

06 ACCESSORIES INCLUDED

Cables	power (1.8m), HDMI (1.8m), RS-232c (2.5m)
Guides	quick start guide, safety guide
Other	light sensor cable

07 POWER MANAGEMENT

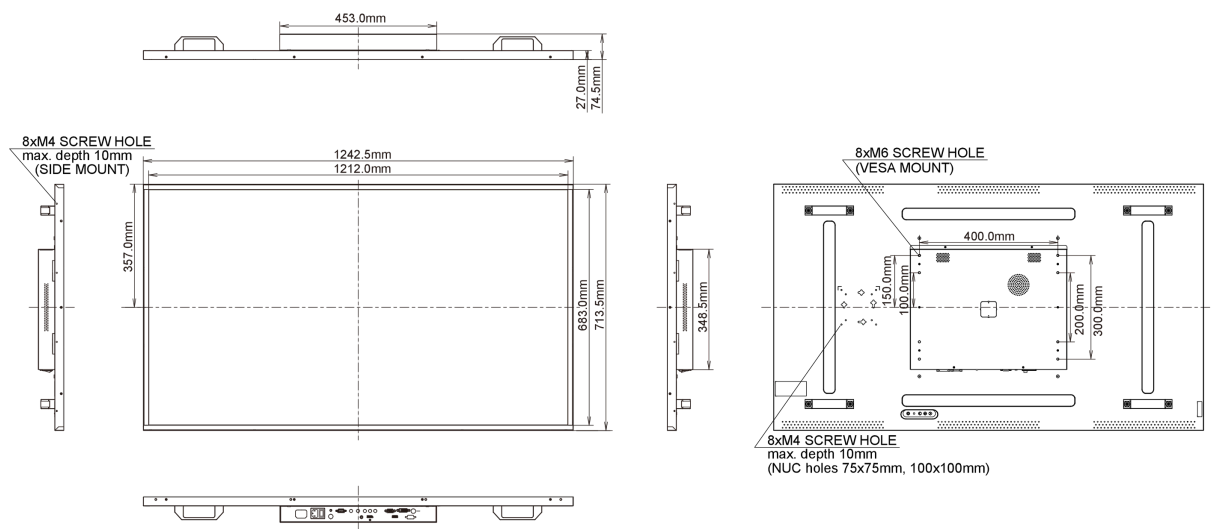
Power supply unit	internal
Power supply	AC 100 - 240V, 50/60Hz
Power usage	175W typical, 0.5W stand by

08 SUSTAINABILITY

Regulations	CB, CE, TÜV-Bauart, ErP, WEEE, CU, REACH
Energy efficiency class	C

09 DIMENSIONS / WEIGHT

Product dimensions W x H x D	1242.6 x 713.6 x 74.3mm
Weight (without box)	37.5kg
EAN code	4948570116614



All trademarks and registered trademarks acknowledged. E & O E. Specification subject to change without notice. All LCD's comply with ISO-9241-307:2008 in connection with pixel defects.

© IYAMA CORPORATION. ALL RIGHTS RESERVED