

## Quick Start

Thank you for purchasing the MSI® **MPG Z390 GAMING EDGE AC** motherboard. This Quick Start section provides demonstration diagrams about how to install your computer. Some of the installations also provide video demonstrations. Please link to the URL to watch it with the web browser on your phone or tablet. You may have even link to the URL by scanning the QR code.

## Kurzanleitung

Danke, dass Sie das MSI® **MPG Z390 GAMING EDGE AC** Motherboard gewählt haben. Dieser Abschnitt der Kurzanleitung bietet eine Demo zur Installation Ihres Computers. Manche Installationen bieten auch die Videodemonstrationen. Klicken Sie auf die URL, um diese Videoanleitung mit Ihrem Browser auf Ihrem Handy oder Table anzusehen. Oder scannen Sie auch den QR Code mit Ihrem Handy, um die URL zu öffnen.

## Présentation rapide

Merci d' avoir choisi la carte mère MSI® **MPG Z390 GAMING EDGE AC**. Ce manuel fournit une rapide présentation avec des illustrations explicatives qui vous aideront à assembler votre ordinateur. Des tutoriels vidéo sont disponibles pour certaines étapes. Cliquez sur le lien fourni pour regarder la vidéo sur votre téléphone ou votre tablette. Vous pouvez également accéder au lien en scannant le QR code qui lui est associé.

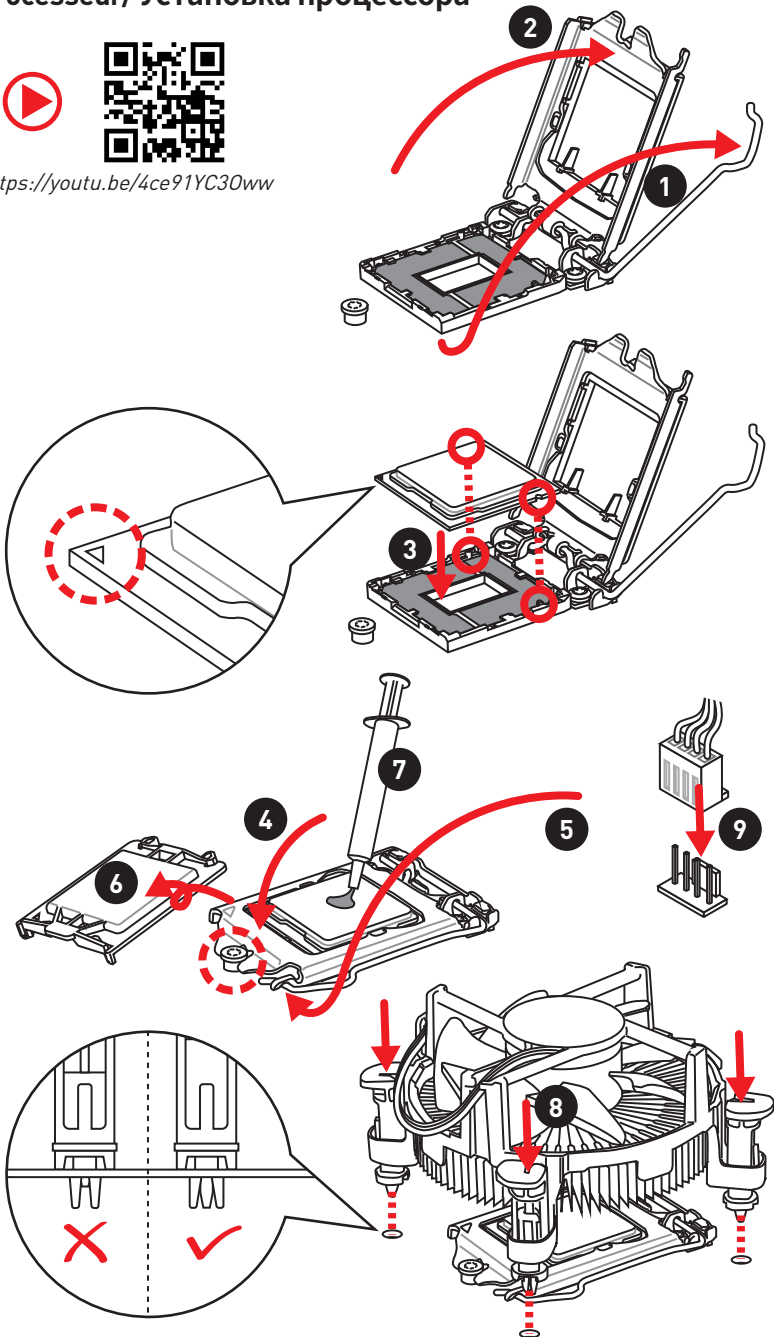
## Быстрый старт

Благодарим вас за покупку материнской платы MSI® **MPG Z390 GAMING EDGE AC**. В этом разделе представлена информация, которая поможет вам при сборке компьютера. Для некоторых этапов сборки имеются видеопроинструкции. Для просмотра видео, необходимо открыть соответствующую ссылку в веб-браузере на вашем телефоне или планшете. Вы также можете выполнить переход по ссылке, путем сканирования QR-кода.

# Installing a Processor/ Installation des Prozessors/ Installer un processeur/ Установка процессора



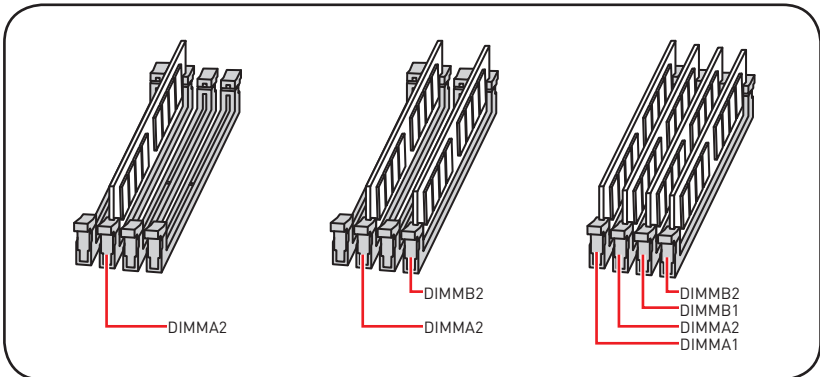
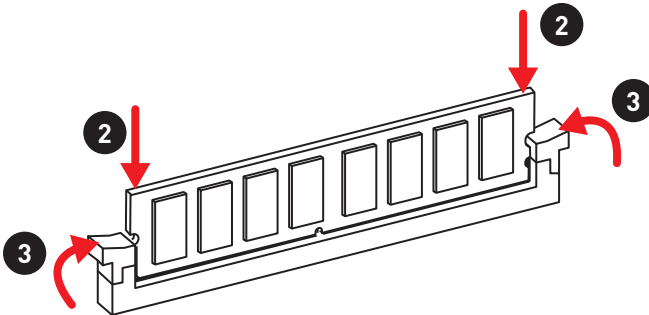
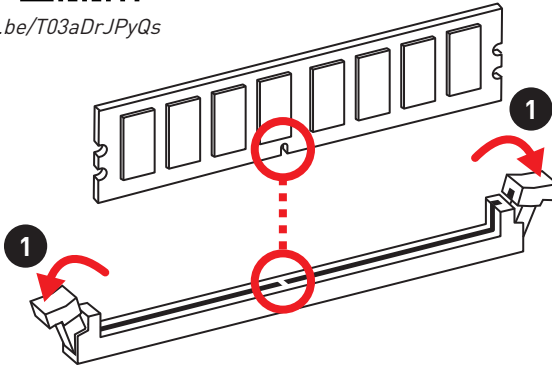
<https://youtu.be/4ce91YC30ww>



# Installing DDR4 memory/ Installation des DDR4-Speichers/ Installer une mémoire DDR4/ Установка памяти DDR4



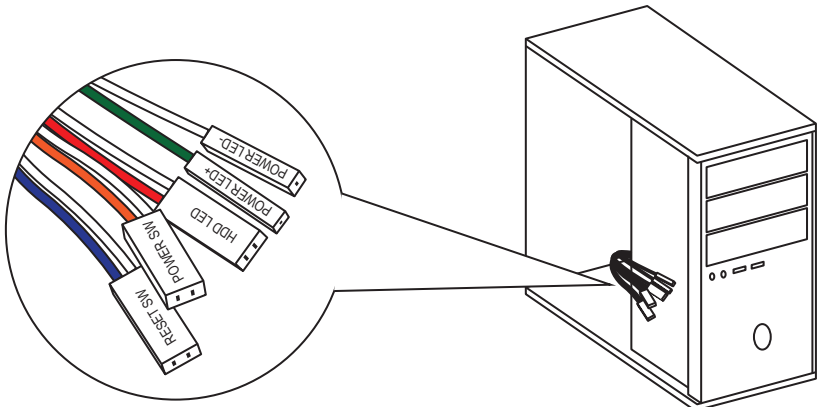
<http://youtu.be/T03aDrJPYqs>



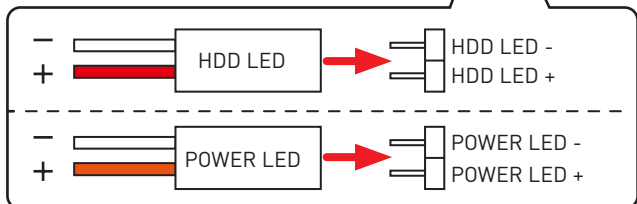
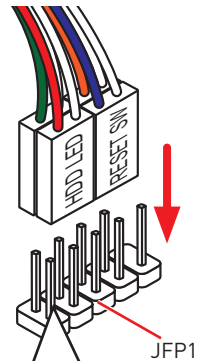
# Connecting the Front Panel Header/ Anschließen der Frontpanel-Stiftleiste/ Connecter un connecteur du panneau avant/ Подключение разъемов передней панели



<http://youtu.be/DPELIdVNZUI>

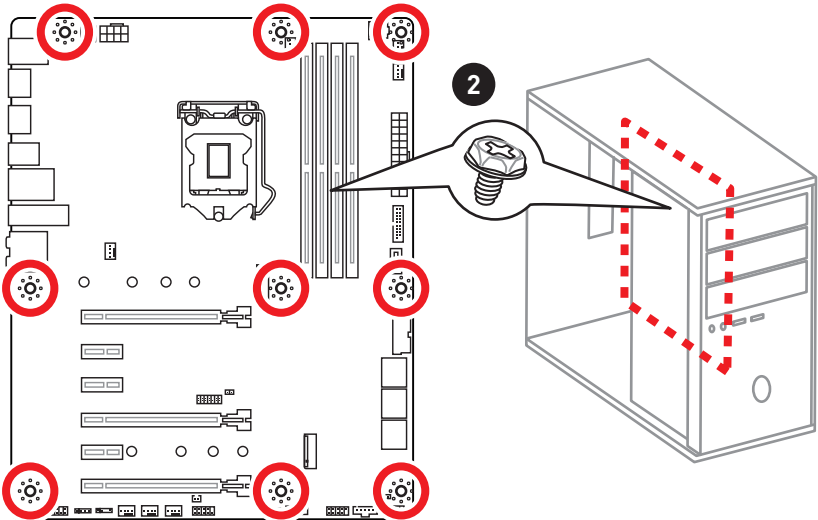
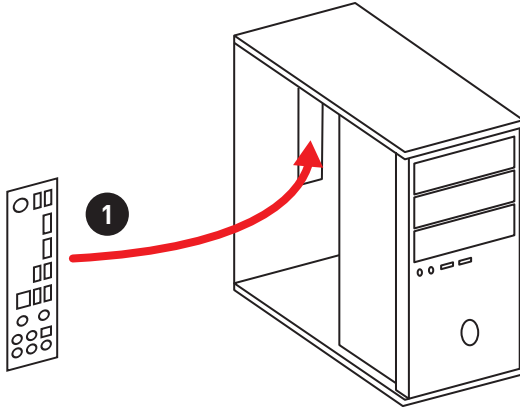


<p>JFP1</p>		1	HDD LED +	2	Power LED +
		3	HDD LED -	4	Power LED -
		5	Reset Switch	6	Power Switch
		7	Reset Switch	8	Power Switch
		9	Reserved	10	No Pin





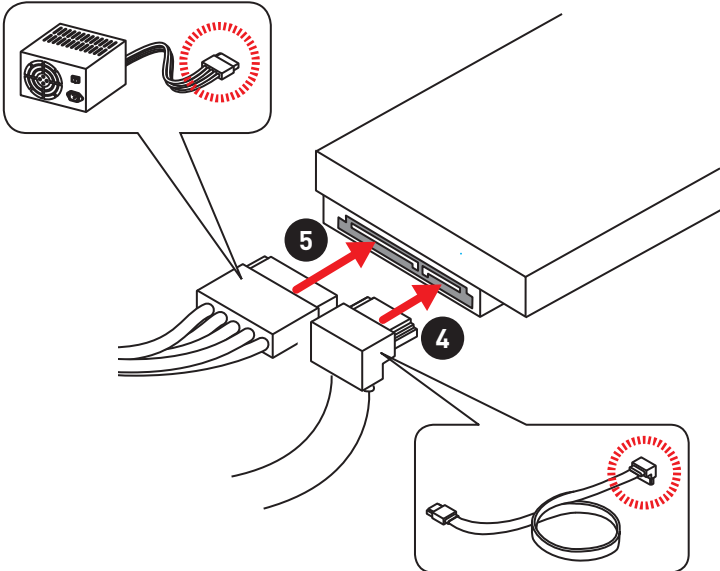
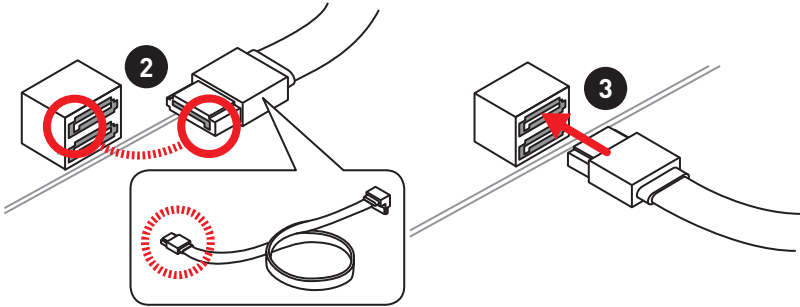
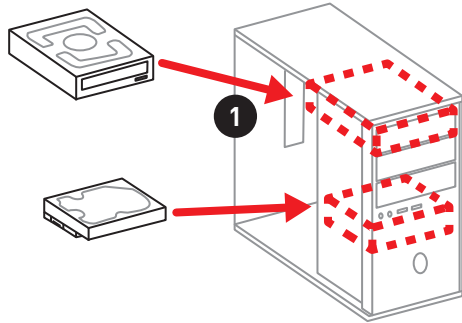
**Installing the Motherboard/ Installation des Motherboards/  
Installer la carte mère/ Установка материнской платы**



# Installing SATA Drives/ Installation der SATA-Laufwerke/ Installer le disque dur SATA/ Установка дисков SATA



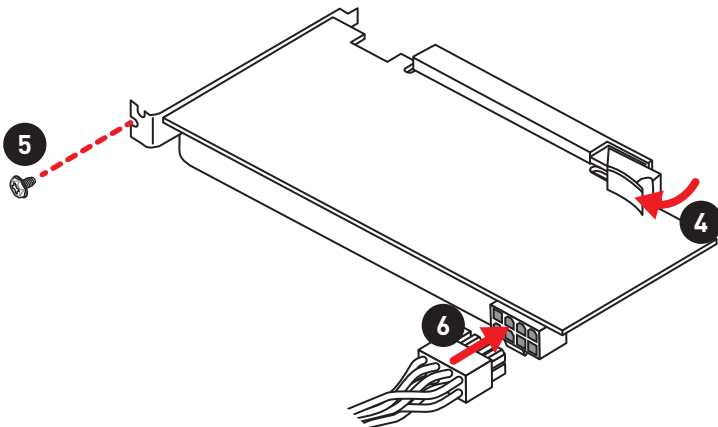
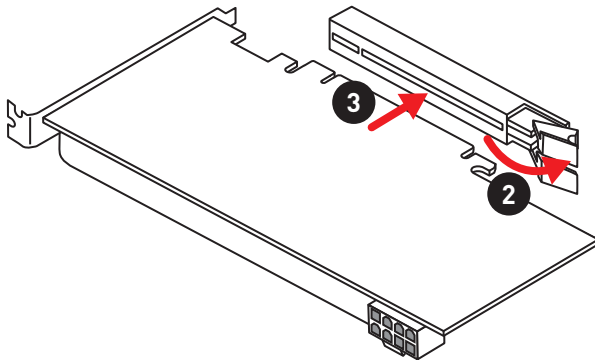
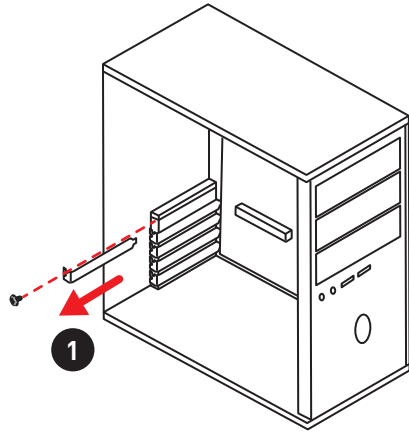
<http://youtu.be/RZsMpqxythc>



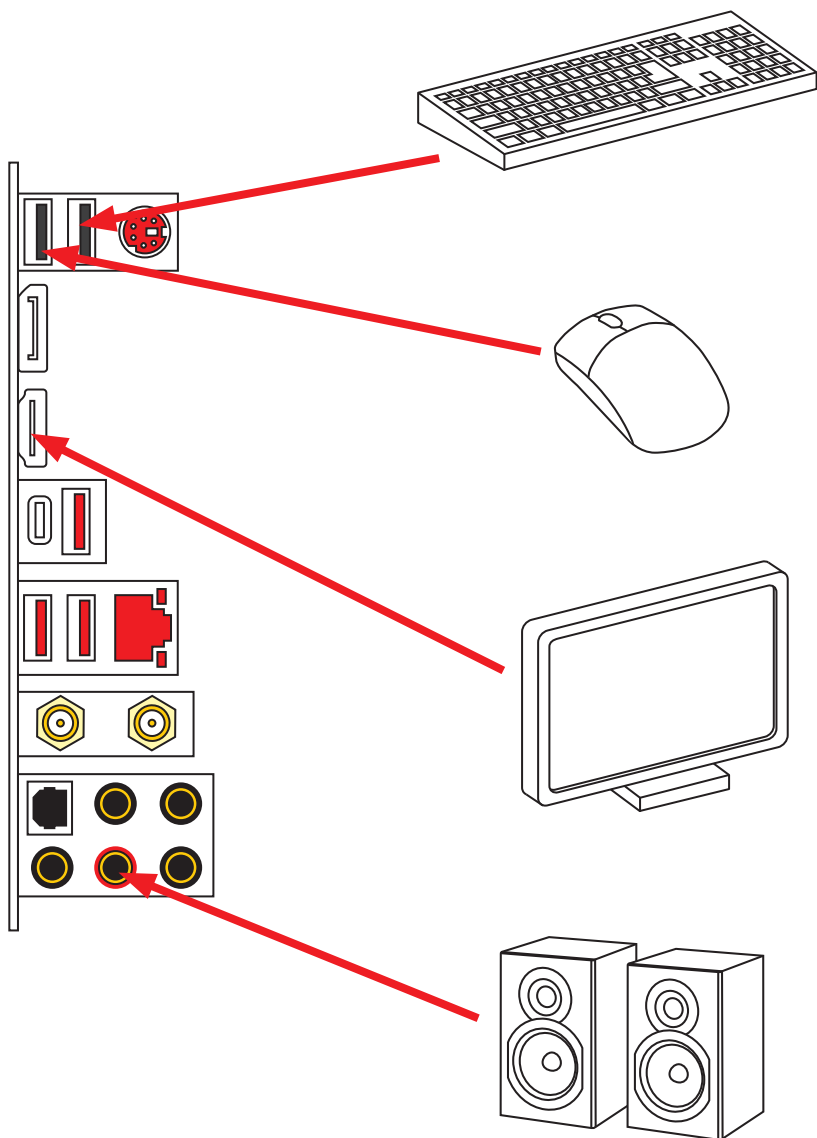
# Installing a Graphics Card/ Einbau der Grafikkarte/ Installer une carte graphique/ Установка дискретной видеокарты



[http://youtu.be/mG0GZpr9w\\_A](http://youtu.be/mG0GZpr9w_A)



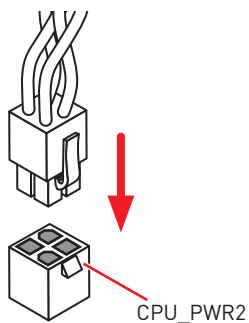
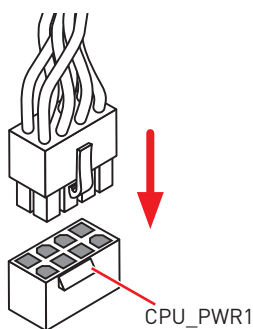
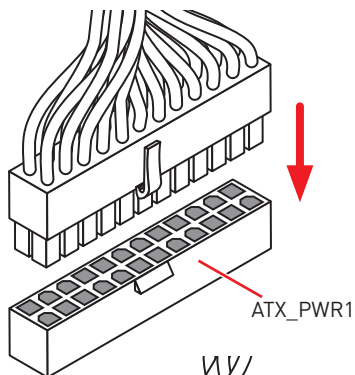
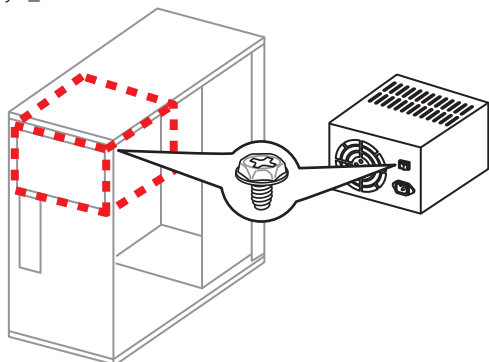
**Connecting Peripheral Devices/ Peripheriegeräte/  
Connecter un périphérique anschliessen/ Подключение  
периферийных устройств**



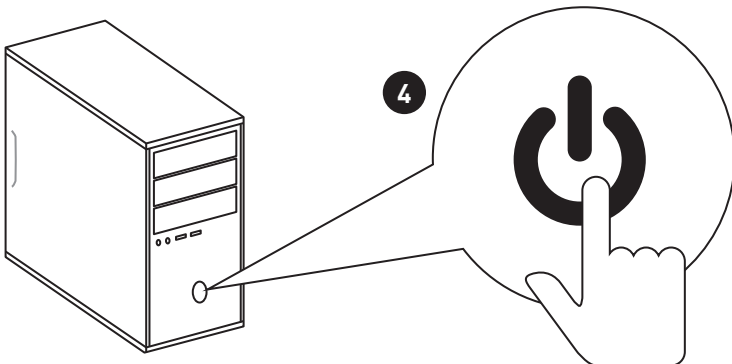
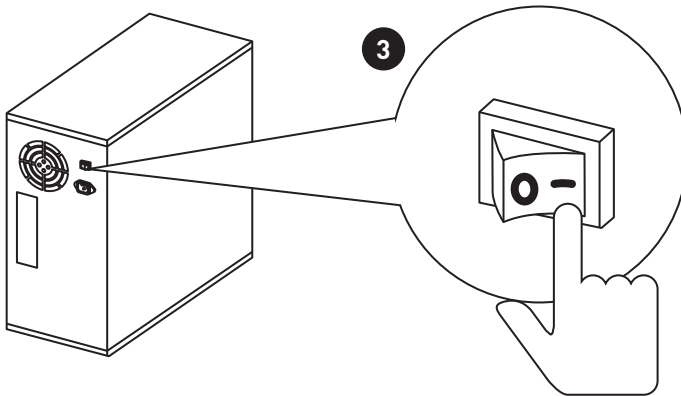
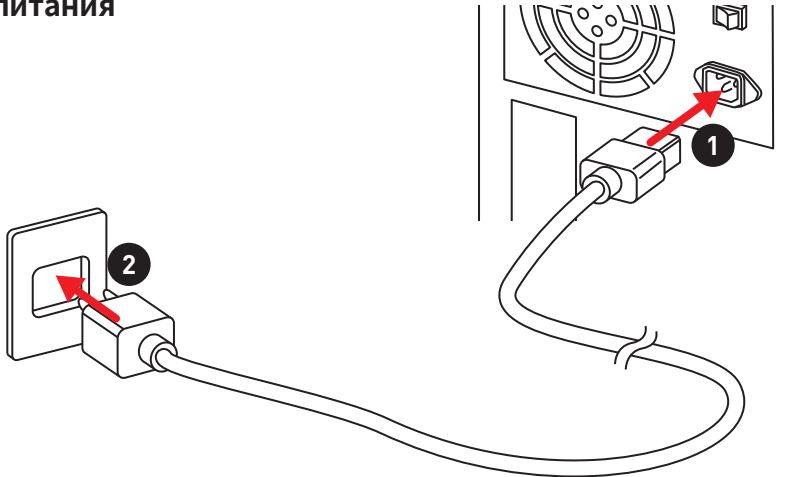
# Connecting the Power Connectors/ Stromanschlüsse anschiessen/ Connecter les câbles du module d' alimentation/ Подключение разъемов питания



[http://youtu.be/gkDYyR\\_83I4](http://youtu.be/gkDYyR_83I4)



**Power On/ Einschalten/ Mettre sous-tension/ Включение  
питания**



# Contents

<b>Safety Information</b> .....	<b>3</b>
<b>Specifications</b> .....	<b>4</b>
JCORSAIR1 Connector Specification.....	9
<b>Package contents</b> .....	<b>9</b>
<b>Rear I/O Panel</b> .....	<b>10</b>
LAN Port LED Status Table.....	10
Audio Ports Configuration .....	10
Realtek Audio Console .....	11
<b>Overview of Components</b> .....	<b>14</b>
CPU Socket .....	15
DIMM Slots.....	16
PCI_E1~5: PCIe Expansion Slots.....	17
M2_1~2: M.2 Slots (Key M) .....	19
SATA1~6: SATA 6Gb/s Connectors .....	20
CPU_PWR1~2, ATX_PWR1: Power Connectors .....	22
JFP1, JFP2: Front Panel Connectors .....	23
JUSBC1: USB 3.1 Gen2 Type-C Connector .....	23
JUSB1~2: USB 3.1 Gen1 Connectors .....	24
JUSB3~4: USB 2.0 Connectors.....	24
CPU_FAN1, PUMP_FAN1, SYS_FAN1~5: Fan Connectors.....	25
JAUD1: Front Audio Connector .....	26
JCI1: Chassis Intrusion Connector.....	26
JTPM1: TPM Module Connector.....	27
JCOM1: Serial Port Connector .....	27
JTBT1: Thunderbolt Add-on Card Connector .....	27
JRGB1~2, JRAINBOW1: RGB LED connectors.....	28
JCORSAIR1: CORSAIR Connector .....	29
JBAT1: Clear CMOS (Reset BIOS) Jumper .....	30
<b>Onboard LEDs</b> .....	<b>31</b>
EZ Debug LED .....	31
DIMM LEDs .....	31
XMP LED .....	31
JPWRLED1: LED power input.....	31
<b>Installing OS, Drivers &amp; Utilities</b> .....	<b>32</b>
Installing Windows® 10.....	32
Installing Drivers .....	32
Installing Utilities .....	32

**BIOS Setup ..... 33**

- Entering BIOS Setup..... 33
- Resetting BIOS..... 33
- Updating BIOS..... 34
- EZ Mode ..... 35
- Advanced Mode ..... 37
- OC Menu..... 38



# Safety Information

- The components included in this package are prone to damage from electrostatic discharge (ESD). Please adhere to the following instructions to ensure successful computer assembly.
- Ensure that all components are securely connected. Loose connections may cause the computer to not recognize a component or fail to start.
- Hold the motherboard by the edges to avoid touching sensitive components.
- It is recommended to wear an electrostatic discharge (ESD) wrist strap when handling the motherboard to prevent electrostatic damage. If an ESD wrist strap is not available, discharge yourself of static electricity by touching another metal object before handling the motherboard.
- Store the motherboard in an electrostatic shielding container or on an anti-static pad whenever the motherboard is not installed.
- Before turning on the computer, ensure that there are no loose screws or metal components on the motherboard or anywhere within the computer case.
- Do not boot the computer before installation is completed. This could cause permanent damage to the components as well as injury to the user.
- If you need help during any installation step, please consult a certified computer technician.
- Always turn off the power supply and unplug the power cord from the power outlet before installing or removing any computer component.
- Keep this user guide for future reference.
- Keep this motherboard away from humidity.
- Make sure that your electrical outlet provides the same voltage as is indicated on the PSU, before connecting the PSU to the electrical outlet.
- Place the power cord such a way that people can not step on it. Do not place anything over the power cord.
- All cautions and warnings on the motherboard should be noted.
- If any of the following situations arises, get the motherboard checked by service personnel:
  - Liquid has penetrated into the computer.
  - The motherboard has been exposed to moisture.
  - The motherboard does not work well or you can not get it work according to user guide.
  - The motherboard has been dropped and damaged.
  - The motherboard has obvious sign of breakage.
- Do not leave this motherboard in an environment above 60°C (140°F), it may damage the motherboard.

# Specifications

<b>CPU</b>	<p>Supports Intel® Core™ 9000 Series family/ 8th Gen Intel® Core™ / Pentium® Gold / Celeron® processors for LGA 1151 socket</p> <p>* Please go to <a href="http://www.intel.com">www.intel.com</a> for more compatibility information.</p>
<b>Chipset</b>	Intel® Z390 Chipset
<b>Memory</b>	<ul style="list-style-type: none"> <li>• 4x DDR4 memory slots, support up to 64GB*</li> <li>• Supports DDR4 4400(OC)/ 4300(OC)/ 4266(OC)/ 4200(OC)/ 4133(OC)/ 4000(OC)/ 3866(OC)/ 3733(OC)/ 3600(OC)/ 3466(OC)/ 3400(OC)/ 3333(OC)/ 3300(OC)/ 3200(OC)/ 3000(OC) / 2800(OC)/ 2666/ 2400/ 2133 MHz*</li> <li>• Supports Dual-Channel mode</li> <li>• Supports non-ECC, un-buffered memory</li> <li>• Supports Intel® Extreme Memory Profile (XMP)</li> </ul> <p>* Please refer <a href="http://www.msi.com">www.msi.com</a> for more information on compatible memory.</p>
<b>Expansion Slot</b>	<ul style="list-style-type: none"> <li>• 3x PCIe 3.0 x16 slots (support x16/x0/x4, x8/x8/x4 modes)</li> <li>• 3x PCIe 3.0 x1 slots</li> </ul>
<b>Onboard Graphics</b>	<ul style="list-style-type: none"> <li>• 1x HDMI™ port 1.4, supports a maximum resolution of 4096x2160@24Hz</li> <li>• 1x DisplayPort port 1.2, supports a maximum resolution of 4096x2304@60Hz</li> </ul>
<b>Multi-GPU</b>	<ul style="list-style-type: none"> <li>• Supports 2-Way NVIDIA® SLI™ Technology</li> <li>• Supports 3-Way AMD® CrossFire™ Technology</li> </ul>
<b>Storage</b>	<p>Intel® Z390 Chipset</p> <ul style="list-style-type: none"> <li>• 6x SATA 6Gb/s ports*</li> <li>• 2x M.2 slots (Key M)*             <ul style="list-style-type: none"> <li>▪ Support up to PCIe 3.0 x4 and SATA 6Gb/s, 2242/ 2260/ 2280/ 22110 storage devices</li> <li>▪ Intel® Optane™ Memory Ready**</li> </ul> </li> </ul> <p>* M.2 slots and SATA ports share the bandwidth. Please refer to page 20 for details.</p> <p>** Before using Intel® Optane™ memory modules, please ensure that you have updated the drivers and BIOS to the latest version from MSI website.</p>

Continued on next page

Continued from previous page

<b>RAID</b>	<p>Intel® Z390 Chipset</p> <ul style="list-style-type: none"> <li>• Supports RAID 0, RAID1, RAID 5 and RAID 10 for SATA storage devices</li> <li>• Supports RAID 0 and RAID 1 for M.2 PCIe storage devices</li> </ul>
<b>LAN</b>	<p>1x Intel I219-V Gigabit LAN controller</p>
<b>Wireless LAN &amp; Bluetooth®</b>	<p>Intel® Wireless-AC 9462 card</p> <ul style="list-style-type: none"> <li>• Supports 802.11 a/b/g/n/ac, MU-MIMO Rx, 2.4GHz/ 5GHz up to 433 Mbps</li> <li>• Supports Bluetooth®2.1, 2.1+EDR, 3.0,4.0, 5</li> </ul>
<b>USB</b>	<p>Intel® Z390 Chipset</p> <ul style="list-style-type: none"> <li>• 3x USB 3.1 Gen2 (SuperSpeed USB 10Gbps) ports (1 Type-C and 1 Type-A ports on the back panel, 1 Type-C internal connector)</li> <li>• 6x USB 3.1 Gen1 (SuperSpeed USB) ports (2 Type-A ports on the back panel, 4 ports available through the internal USB connectors)</li> <li>• 6x USB 2.0 (High-speed USB) ports (2 Type-A ports on the back panel, 4 ports available through the internal USB connectors)</li> </ul>
<b>Audio</b>	<p>Realtek® ALC1220P Codec</p> <ul style="list-style-type: none"> <li>• 7.1-Channel High Definition Audio</li> <li>• Supports S/PDIF output</li> </ul>
<b>Back Panel Connectors</b>	<ul style="list-style-type: none"> <li>• 1x PS/2 keyboard/ mouse combo port</li> <li>• 2x USB 2.0 Type-A ports</li> <li>• 1x DisplayPort port</li> <li>• 1x HDMI™ port</li> <li>• 1x USB 3.1 Gen2 Type-A port</li> <li>• 1x USB 3.1 Gen2 Type-C port</li> <li>• 1x LAN (RJ45) port</li> <li>• 2x USB 3.1 Gen1 Type-A ports</li> <li>• 2x Wi-Fi Antenna connectors</li> <li>• 5x OFC audio jacks</li> <li>• 1x Optical S/PDIF OUT connector</li> </ul>


Continued on next page

Continued from previous page

<b>Internal Connectors</b>	<ul style="list-style-type: none"><li>• 1x 24-pin ATX main power connector</li><li>• 1x 8-pin ATX 12V power connector</li><li>• 1x 4-pin ATX 12V power connector</li><li>• 6x SATA 6Gb/s connectors</li><li>• 1x USB 3.1 Gen2 Type-C port</li><li>• 2x USB 3.1 Gen1 connectors (supports additional 4 USB 3.1 Gen1 ports)</li><li>• 2x USB 2.0 connectors (supports additional 4 USB 2.0 ports)</li><li>• 1x 4-pin CPU fan connector</li><li>• 1x 4-pin Water Pump connector</li><li>• 5x 4-pin system fan connectors</li><li>• 1x Serial port connector</li><li>• 1x Front panel audio connector</li><li>• 2x System panel connectors</li><li>• 1x Thunderbolt Add-on Card Connector</li><li>• 1x Chassis Intrusion connector</li><li>• 1x TPM module connector</li><li>• 2x 4-pin RGB LED connectors</li><li>• 1x 3-pin RAINBOW LED connector</li><li>• 1x 3-pin CORSAIR LED connector</li></ul>
<b>Debug LED</b>	<ul style="list-style-type: none"><li>• 4x EZ Debug LED</li></ul>
<b>I/O Controller</b>	NUVOTON NCT6797 Controller Chip
<b>Hardware Monitor</b>	<ul style="list-style-type: none"><li>• CPU/System temperature detection</li><li>• CPU/System fan speed detection</li><li>• CPU/System fan speed control</li></ul>
<b>Form Factor</b>	<ul style="list-style-type: none"><li>• ATX Form Factor</li><li>• 9.6 in. x 12 in. (24.3 cm x 30.4 cm)</li></ul>

Continued on next page

Continued from previous page

<b>BIOS Features</b>	<ul style="list-style-type: none"><li>• 1x 128 Mb flash</li><li>• UEFI AMI BIOS</li><li>• ACPI 6.1, SMBIOS 2.8</li><li>• Multi-language</li></ul>
<b>Software</b>	<ul style="list-style-type: none"><li>• Drivers</li><li>• DRAGON CENTER</li><li>• MYSTIC LIGHT</li><li>• Nahimic Audio</li><li>• Open Broadcaster Software (OBS)</li><li>• CPU-Z MSI GAMING</li><li>• MSI App Player (BlueStacks)</li><li>• Intel® Extreme Tuning Utility</li><li>• Google Chrome™, Google Toolbar, Google Drive</li><li>• Norton™ Internet Security Solution</li></ul>
<b>Dragon Center Features</b>	<ul style="list-style-type: none"><li>• GAME OPTIMIZATION</li><li>• OC Performance</li><li>• Hardware Monitor</li><li>• Eyereast</li><li>• LAN Manager</li><li>• Live Update</li></ul>  <p>Please refer to <a href="http://download.msi.com/manual/mb/DRAGONCENTER2.pdf">http://download.msi.com/manual/mb/DRAGONCENTER2.pdf</a> for more details.</p>
<b>Special Features</b>	<ul style="list-style-type: none"><li>• Audio<ul style="list-style-type: none"><li>▪ Audio Boost 4</li><li>▪ Nahimic 3</li><li>▪ Voice Boost</li></ul></li><li>• Network<ul style="list-style-type: none"><li>▪ GAMING LAN with Gaming LAN Manager</li><li>▪ Intel CNVi WiFi</li></ul></li><li>• Storage<ul style="list-style-type: none"><li>▪ Twin Turbo M.2</li></ul></li><li>• Fan<ul style="list-style-type: none"><li>▪ Pump Fan</li><li>▪ GAMING Fan Control</li></ul></li></ul>

Continued on next page

Continued from previous page

## Special Features

- LED
  - Mystic Light
  - Mystic Light Extension (RGB)
  - Mystic Light Extension (RAINBOW)
  - Mystic Light Extension (CORSAIR)
  - Mystic light SYNC
  - EZ DEBUG LED
- Protection
  - PCI-E Steel Armor
- Performance
  - Multi GPU – SLI Technology
  - Multi GPU – CrossFire Technology
  - DDR4 Boost
  - Core Boost
  - GAME Boost
  - USB with type A+C
  - INTEL Turbo USB 3.1 Gen 2
- VR
  - VR Ready
- Gamer Experience
  - GAMING HOTKEY
  - GAMING MOUSE Control
  - APP Player
- BIOS
  - Click BIOS 5

## JCORSAIR1 Connector Specification

Supporting CORSAIR RGB Products	Maximum connection
Lighting Node PRO LED Strip	20* * In the case of 20% brightness
HD120 RGB Fan	6
SP120 RGB Fan	6
LL120 RGB Fan	6

## Package contents

Please check the contents of your motherboard package. It should contain:

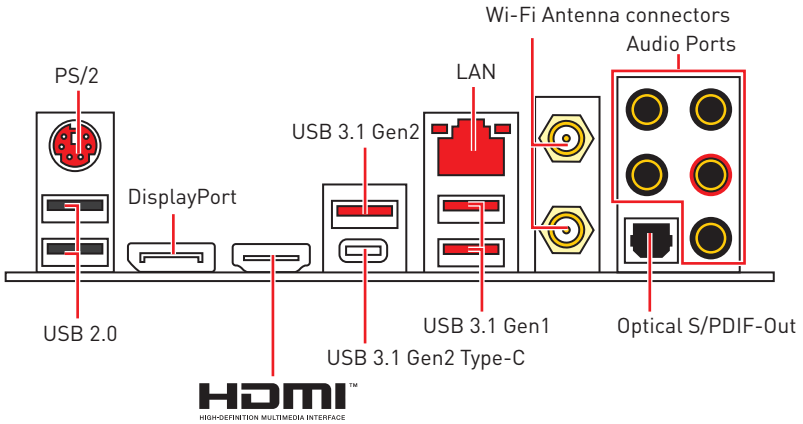
Motherboard	MPG Z390 GAMING EDGE AC	
Cable	SATA 6Gb/s Cables	2
	LED Cable	1
Accessories	Antenna Set	1
	SLI HB BRIDGE M	1
	M.2 Screw	2
	Case Badge	1
	SATA Cable Lables	1
	Product Registration Card	1
	IO shielding	1
Application DVD	Driver DVD	1
Documentation	User Manual	1
Documentation	Quick Installation Guide	1



### **Important**

*If any of the above items are damaged or missing, please contact your retailer.*

# Rear I/O Panel



## LAN Port LED Status Table

Link/ Activity LED	
Status	Description
Off	No link
Yellow	Linked
Blinking	Data activity

Speed LED	
Status	Description
Off	10 Mbps connection
Green	100 Mbps connection
Orange	1 Gbps connection

## Audio Ports Configuration

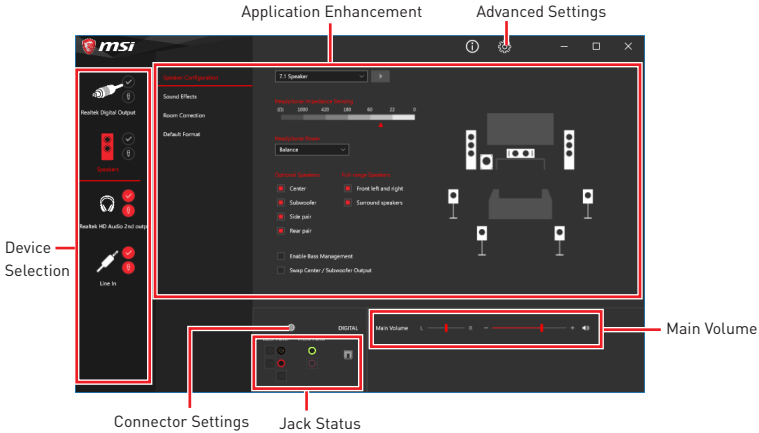
Audio Ports	Channel			
	2	4	6	8
Center/ Subwoofer Out			●	●
Rear Speaker Out		●	●	●
Line-In/ Side Speaker Out				●
Line-Out/ Front Speaker Out	●	●	●	●
Mic In				

●: connected, Blank: empty



# Realtek Audio Console

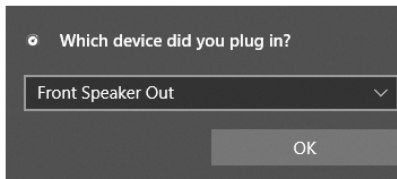
After Realtek Audio Console is installed. You can use it to change sound settings to get better sound experience.



- **Device Selection** - allows you to select a audio output source to change the related options. The **check** sign indicates the devices as default.
- **Application Enhancement** - the array of options will provide you a complete guidance of anticipated sound effect for both output and input device.
- **Main Volume** - controls the volume or balance the right/left side of the speakers that you plugged in front or rear panel by adjust the bar.
- **Advanced Settings** - provides the mechanism to deal with 2 independent audio streams.
- **Jack Status** - depicts all render and capture devices currently connected with your computer.
- **Connector Settings** - configures the connection settings.

## Auto popup dialog

When you plug into a device at an audio jack, a dialogue window will pop up asking you which device is current connected.

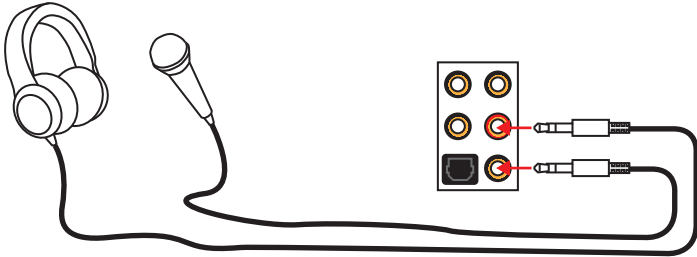


Each jack corresponds to its default setting as shown on the next page.

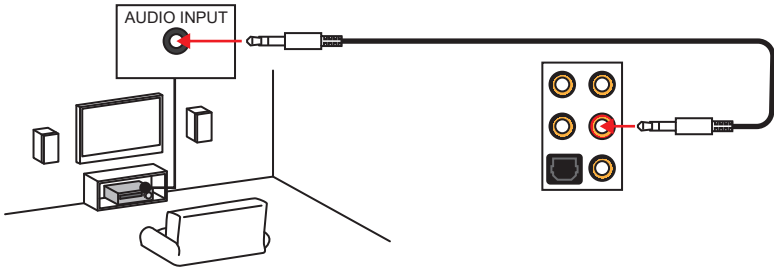


*The pictures above for reference only and may vary from the product you purchased.*

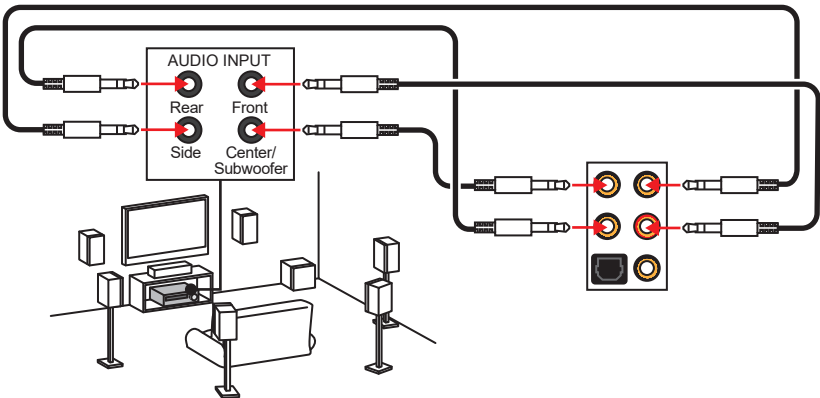
### Audio jacks to headphone and microphone diagram



### Audio jacks to stereo speakers diagram

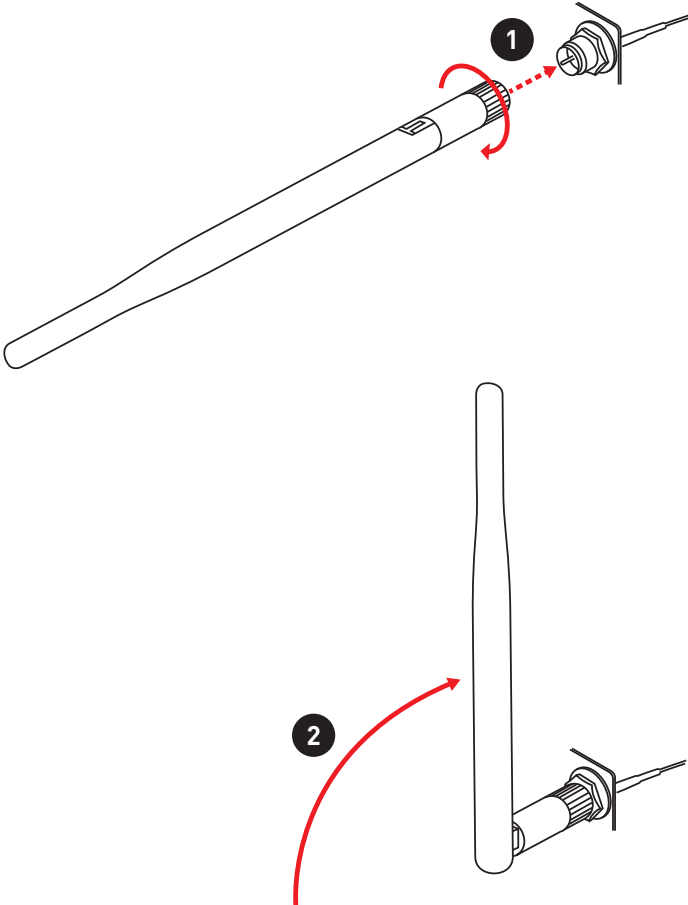


### Audio jacks to 7.1-channel speakers diagram

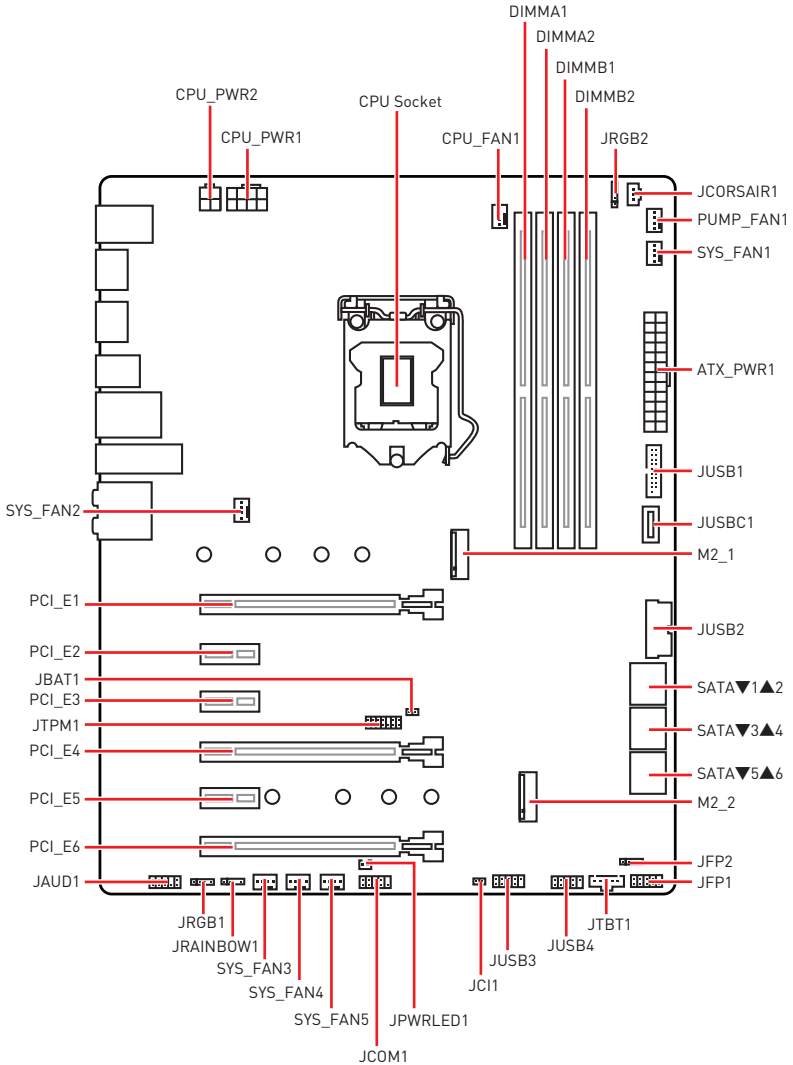


## Installing antennas

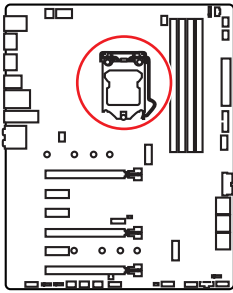
1. Screw the antennas tight to the antenna connectors as shown below.
2. Orient the antennas.



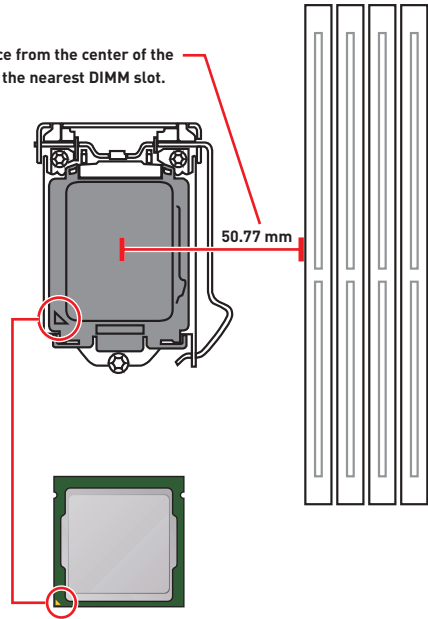
# Overview of Components



## CPU Socket



Distance from the center of the CPU to the nearest DIMM slot.



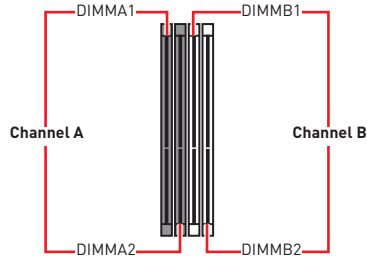
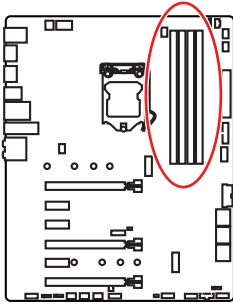
### Introduction to the LGA 1151 CPU

The surface of the LGA 1151 CPU has two **notches** and a **golden triangle** to assist in correctly lining up the CPU for motherboard placement. The golden triangle is the Pin 1 indicator.

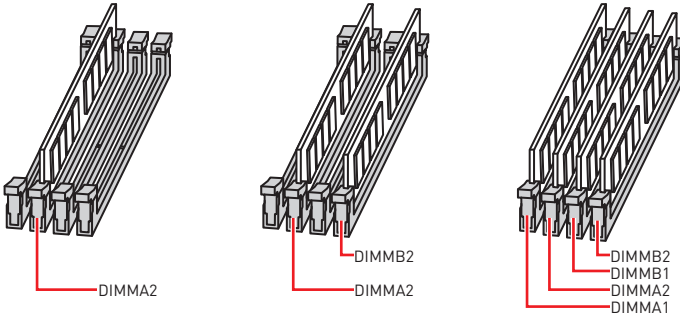
#### **Important**

- Always unplug the power cord from the power outlet before installing or removing the CPU.
- Please retain the CPU protective cap after installing the processor. MSI will deal with Return Merchandise Authorization (RMA) requests if only the motherboard comes with the protective cap on the CPU socket.
- When installing a CPU, always remember to install a CPU heatsink. A CPU heatsink is necessary to prevent overheating and maintain system stability.
- Confirm that the CPU heatsink has formed a tight seal with the CPU before booting your system.
- Overheating can seriously damage the CPU and motherboard. Always make sure the cooling fans work properly to protect the CPU from overheating. Be sure to apply an even layer of thermal paste (or thermal tape) between the CPU and the heatsink to enhance heat dissipation.
- Whenever the CPU is not installed, always protect the CPU socket pins by covering the socket with the plastic cap.
- If you purchased a separate CPU and heatsink/ cooler, Please refer to the documentation in the heatsink/ cooler package for more details about installation.
- This motherboard is designed to support overclocking. Before attempting to overclock, please make sure that all other system components can tolerate overclocking. Any attempt to operate beyond product specifications is not recommended. MSI® does not guarantee the damages or risks caused by inadequate operation beyond product specifications.

## DIMM Slots



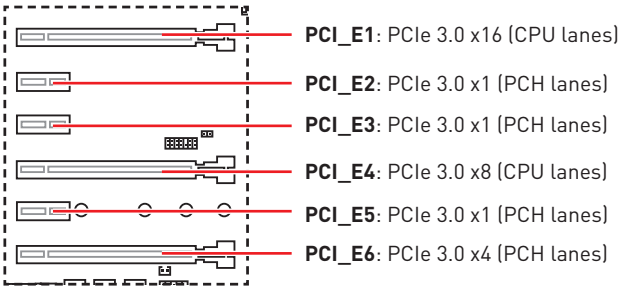
## Memory module installation recommendation



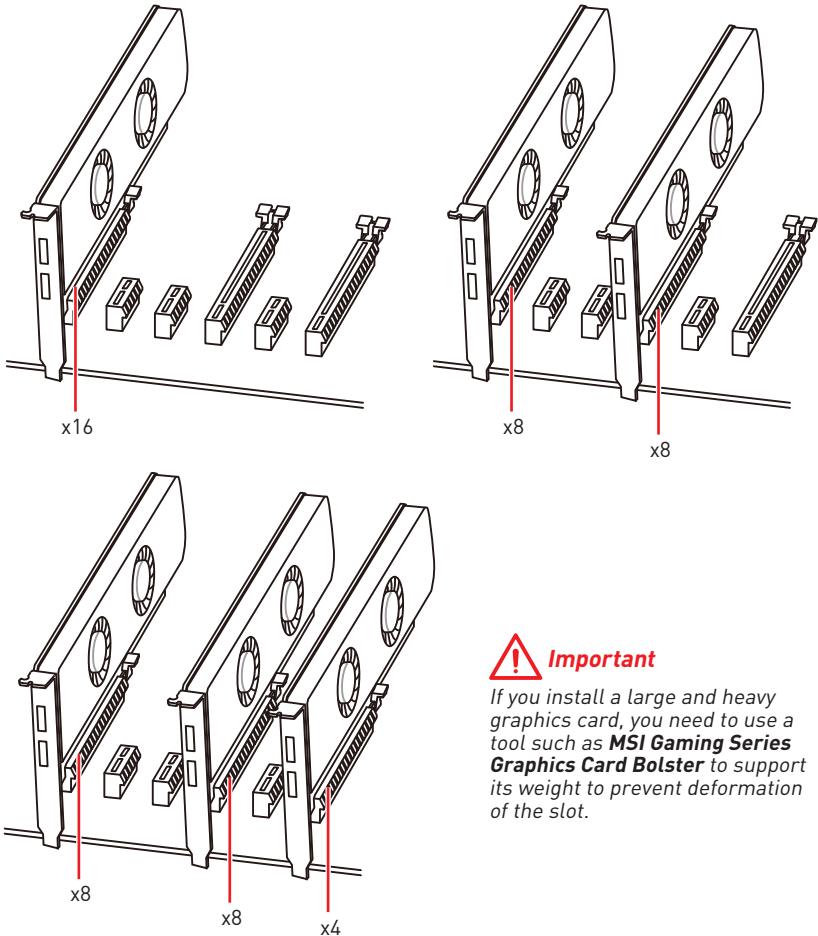
### Important

- Always insert memory modules in the **DIMMA2** slot first.
- Due to chipset resource usage, the available capacity of memory will be a little less than the amount of installed.
- Based on Intel CPU specification, the Memory DIMM voltage below 1.35V is suggested to protect the CPU.
- Please note that the maximum capacity of addressable memory is 4GB or less for 32-bit Windows OS due to the memory address limitation. Therefore, we recommended that you to install 64-bit Windows OS if you want to install more than 4GB memory on the motherboard.
- Some memory may operate at a lower frequency than the marked value when overclocking due to the memory frequency operates dependent on its Serial Presence Detect (SPD). Go to BIOS and find the **Memory Try It!** to set the memory frequency if you want to operate the memory at the marked or at a higher frequency.
- It is recommended to use a more efficient memory cooling system for full DIMMs installation or overclocking.
- The stability and compatibility of installed memory module depend on installed CPU and devices when overclocking.

## PCI\_E1~5: PCIe Expansion Slots



## Multiple graphics cards installation recommendation



### **Important**

If you install a large and heavy graphics card, you need to use a tool such as **MSI Gaming Series Graphics Card Bolster** to support its weight to prevent deformation of the slot.

## Important

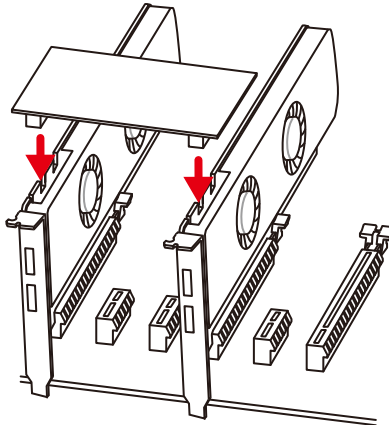
- For a single PCIe x16 expansion card installation with optimum performance, using the **PCI\_E1** slot is recommended.
- When adding or removing expansion cards, always turn off the power supply and unplug the power supply power cable from the power outlet. Read the expansion card's documentation to check for any necessary additional hardware or software changes.

## Installing SLI graphics cards

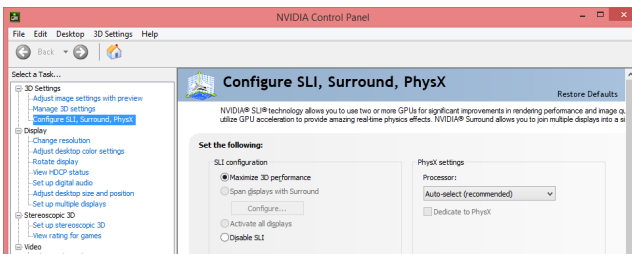
For power supply recommendations for SLI configurations, please refer to the user guide of your graphics card to make sure you meet all the system requirements.

To install SLI graphics cards:

1. Turn off your computer and disconnect the power cord, install two graphics cards into the **PCI\_E1** and **PCI\_E4** slots.
2. Connect the two cards together using the **SLI Bridge Connector**.

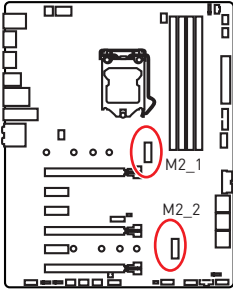


3. Connect all PCIe power connectors of the graphics cards.
4. Reconnect the power cord, power up the computer and install the drivers and software included in your graphics card package.
5. Right-click the Windows desktop and select **NVIDIA Control Panel** from the menu, click on **Configure SLI, Surround, PhysX** in the left task pane and select **Maximize 3D performance** in the SLI configuration menu, and then click **Apply**.





## M2\_1~2: M.2 Slots (Key M)



### Important

- Intel® RST only supports PCIe M.2 SSD with UEFI ROM.
- Intel® Optane™ Memory Ready for all M.2 slots.



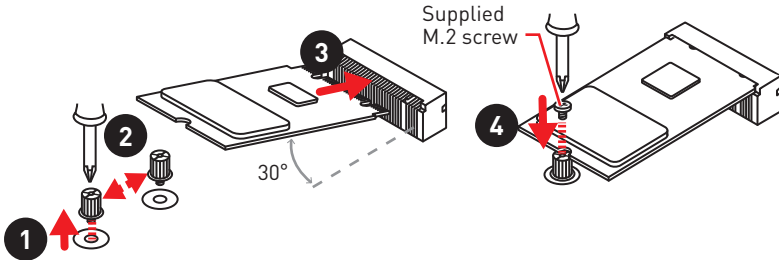
### Video Demonstration

Watch the video to learn how to Install M.2 module.

<http://youtu.be/JCTFABytrYA>

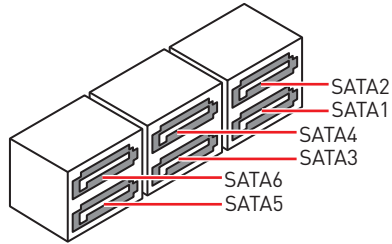
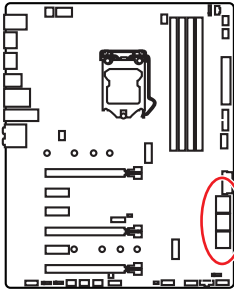
## Installing M.2 SSD

1. Loosen the M.2 riser screw from the motherboard.
2. Move and fasten the M.2 riser screw to the appropriate location for your M.2 SSD.
3. Insert your M.2 SSD into the M.2 slot at a 30-degree angle.
4. Secure the M.2 SSD in place with the supplied M.2 screw.



## SATA1~6: SATA 6Gb/s Connectors

These connectors are SATA 6Gb/s interface ports. Each connector can connect to one SATA device.



### Important

- Please do not fold the SATA cable at a 90-degree angle. Data loss may result during transmission otherwise.
- SATA cables have identical plugs on either sides of the cable. However, it is recommended that the flat connector be connected to the motherboard for space saving purposes.

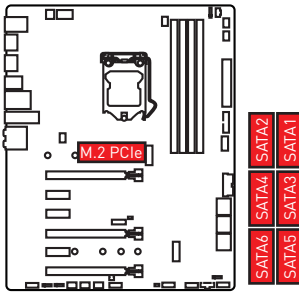
## M.2 & SATA combination table

Slot	Available SATA connectors					
	PCIe	SATA	PCIe	SATA	PCIe	SATA
M2_1	PCIe	SATA	PCIe	SATA	PCIe	SATA
M2_2	PCIe	PCIe	SATA	SATA	—	—
SATA1	✓	✓	✓	✓	✓	✓
SATA2	✓	—	✓	—	✓	—
SATA3	✓	✓	✓	✓	✓	✓
SATA4	✓	✓	✓	✓	✓	✓
SATA5	—	—	—	—	✓	✓
SATA6	—	—	✓	✓	✓	✓

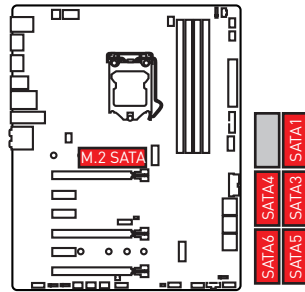
(**SATA**: M.2 SATA SSD, **PCIe**: M.2 PCIe SSD, ✓: available, —: unavailable)

## M.2 slots with examples of various combination possibilities

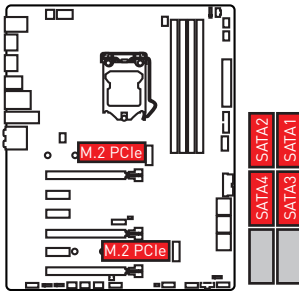
1xM.2 PCIe SSD + 6xSATA HDDs



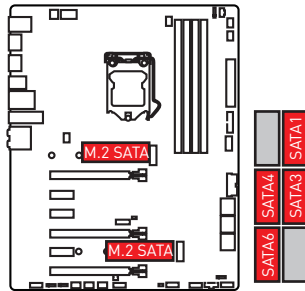
1xM.2 SATA SSD + 5xSATA HDDs



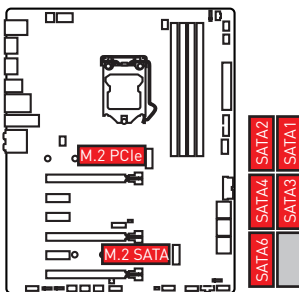
2xM.2 PCIe SSDs + 4xSATA HDDs



2xM.2 SATA SSDs + 4xSATA HDDs

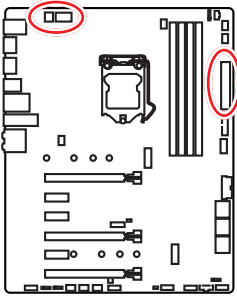


1xM.2 PCIe SSD + 1xM.2 SATA SSD + 5xSATA HDDs



## CPU\_PWR1~2, ATX\_PWR1: Power Connectors

These connectors allow you to connect an ATX power supply.



1	Ground	5	+12V
2	Ground	6	+12V
3	Ground	7	+12V
4	Ground	8	+12V

1	Ground	3	+12V
2	Ground	4	+12V

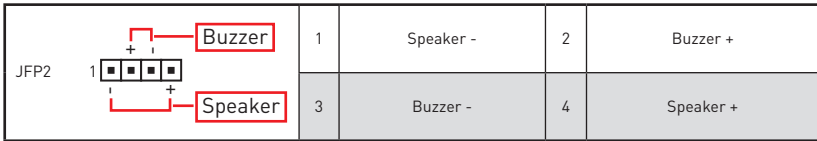
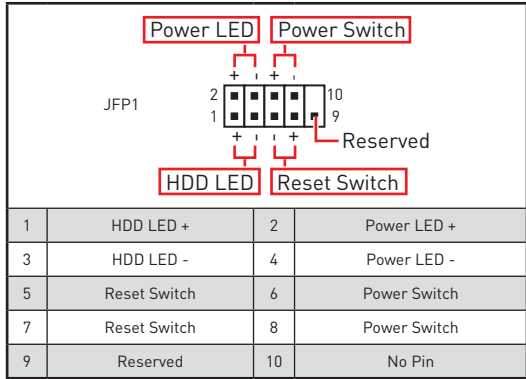
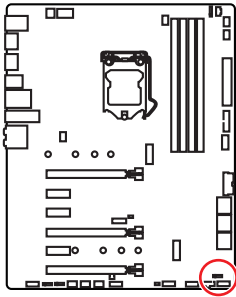
1	+3.3V	13	+3.3V
2	+3.3V	14	-12V
3	Ground	15	Ground
4	+5V	16	PS-ON#
5	Ground	17	Ground
6	+5V	18	Ground
7	Ground	19	Ground
8	PWR OK	20	Res
9	5VSB	21	+5V
10	+12V	22	+5V
11	+12V	23	+5V
12	+3.3V	24	Ground

### **Important**

Make sure that all the power cables are securely connected to a proper ATX power supply to ensure stable operation of the motherboard.

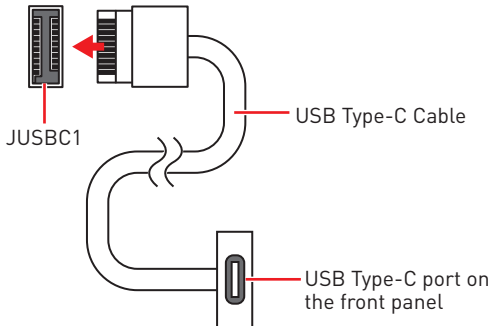
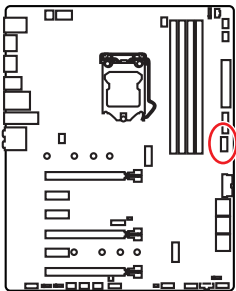
## JFP1, JFP2: Front Panel Connectors

These connectors connect to the switches and LEDs on the front panel.



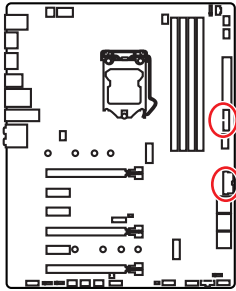
## JUSBC1: USB 3.1 Gen2 Type-C Connector

This connector allows you to connect USB 3.1 Gen2 Type-C connector on the front panel. The connector possesses a foolproof design. When you connect the cable, be sure to connect it with the corresponding orientation.



## JUSB1~2: USB 3.1 Gen1 Connectors

These connectors allow you to connect USB 3.1 Gen1 ports on the front panel.



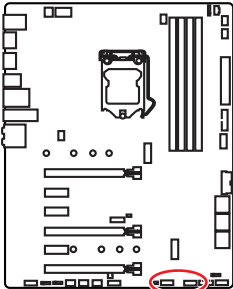
1	Power	11	USB2.0+
2	USB3_RX_DN	12	USB2.0-
3	USB3_RX_DP	13	Ground
4	Ground	14	USB3_TX_C_DP
5	USB3_TX_C_DN	15	USB3_TX_C_DN
6	USB3_TX_C_DP	16	Ground
7	Ground	17	USB3_RX_DP
8	USB2.0-	18	USB3_RX_DN
9	USB2.0+	19	Power
10	NC	20	No Pin



### Important

Note that the Power and Ground pins must be connected correctly to avoid possible damage.

## JUSB3~4: USB 2.0 Connectors



1	VCC	2	VCC
3	USB0-	4	USB1-
5	USB0+	6	USB1+
7	Ground	8	Ground
9	No Pin	10	NC



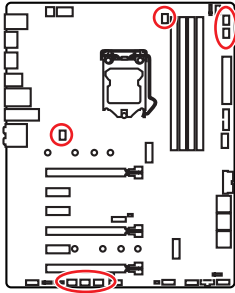
### Important

- Note that the VCC and Ground pins must be connected correctly to avoid possible damage.

- In order to recharge your iPad, iPhone and iPod through USB ports, please install MSI DRAGON CENTER utility.

# CPU\_FAN1, PUMP\_FAN1, SYS\_FAN1~5: Fan Connectors

Fan connectors can be classified as PWM (Pulse Width Modulation) Mode or DC Mode. PWM Mode fan connectors provide constant 12V output and adjust fan speed with speed control signal. DC Mode fan connectors control fan speed by changing voltage. When you plug a 3-pin (Non-PWM) fan to a fan connector in PWM mode, the fan speed will always maintain at 100%, which might create a lot of noise. You can follow the instruction below to adjust the fan connector to PWM or DC Mode.



## Default PWM Mode fan connectors



CPU\_FAN1/ PUMP\_FAN1

## Default DC Mode fan connectors



SYS\_FAN1-2

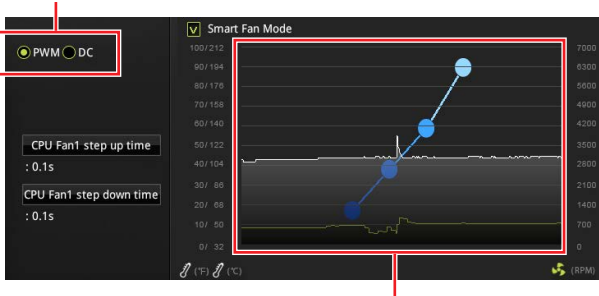


SYS\_FAN3-5

## Switching fan mode and adjusting fan speed

You can switch between PWM mode and DC mode and adjust fan speed in **BIOS > HARDWARE MONITOR**.

Select **PWM** mode or **DC** mode



There are gradient points of the fan speed that allow you to adjust fan speed in relation to CPU temperature.

## Important

Make sure fans are working properly after switching the PWM/ DC mode.

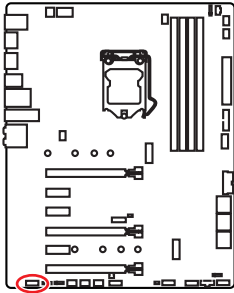
## Pin definition of fan connectors

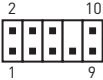
PWM Mode pin definition			
1	Ground	2	+12V
3	Sense	4	Speed Control Signal

DC Mode pin definition			
1	Ground	2	Voltage Control
3	Sense	4	NC

## JAUD1: Front Audio Connector

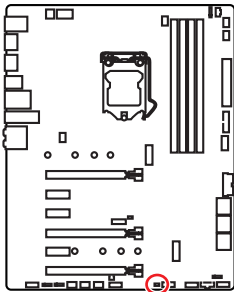
This connector allows you to connect audio jacks on the front panel.



			
1	MIC L	2	Ground
3	MIC R	4	NC
5	Head Phone R	6	MIC Detection
7	SENSE_SEND	8	No Pin
9	Head Phone L	10	Head Phone Detection

## JCI1: Chassis Intrusion Connector

This connector allows you to connect the chassis intrusion switch cable.



Normal  
(default)



Trigger the chassis  
intrusion event

### Using chassis intrusion detector

1. Connect the **JCI1** connector to the chassis intrusion switch/ sensor on the chassis.
2. Close the chassis cover.
3. Go to **BIOS > SETTINGS > Security > Chassis Intrusion Configuration**.
4. Set **Chassis Intrusion** to **Enabled**.
5. Press **F10** to save and exit and then press the **Enter** key to select **Yes**.
6. Once the chassis cover is opened again, a warning message will be displayed on screen when the computer is turned on.

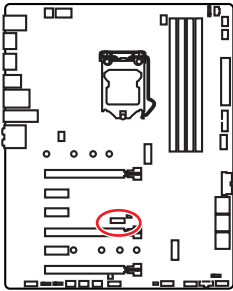
### Resetting the chassis intrusion warning

1. Go to **BIOS > SETTINGS > Security > Chassis Intrusion Configuration**.
2. Set **Chassis Intrusion** to **Reset**.
3. Press **F10** to save and exit and then press the **Enter** key to select **Yes**.



## JTPM1: TPM Module Connector

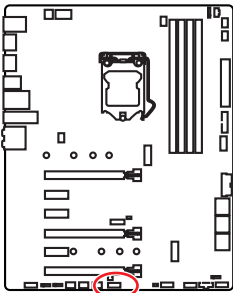
This connector is for TPM (Trusted Platform Module). Please refer to the TPM security platform manual for more details and usages.



1	LPC Clock	2	3V Standby power
3	LPC Reset	4	3.3V Power
5	LPC address & data pin0	6	Serial IRQ
7	LPC address & data pin1	8	5V Power
9	LPC address & data pin2	10	No Pin
11	LPC address & data pin3	12	Ground
13	LPC Frame	14	Ground

## JCOM1: Serial Port Connector

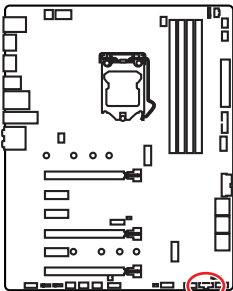
This connector allows you to connect the optional serial port with bracket.



1	DCD	2	SIN
3	SOUT	4	DTR
5	Ground	6	DSR
7	RTS	8	CTS
9	RI	10	No Pin

## JTBT1: Thunderbolt Add-on Card Connector

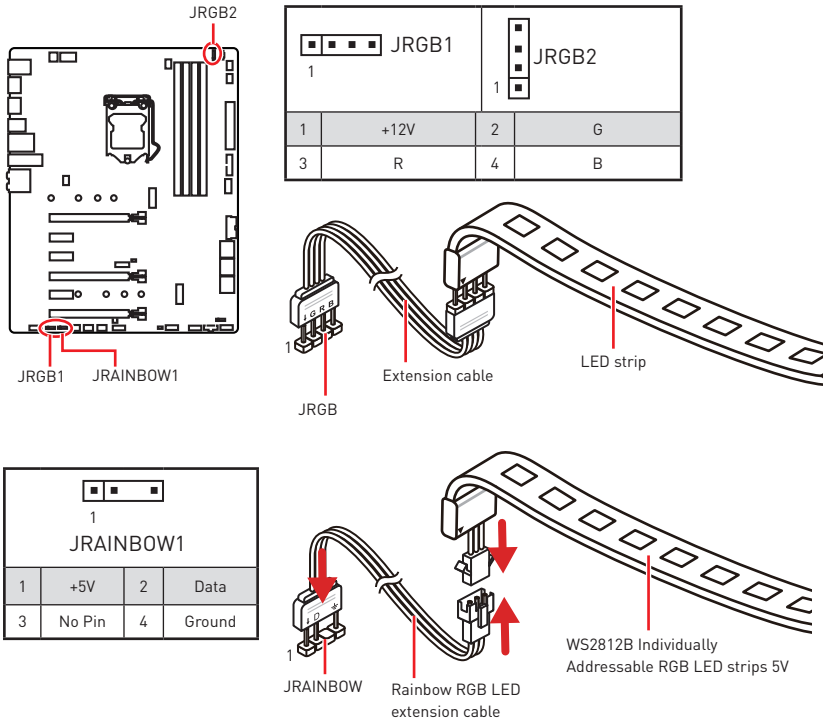
This connector allows you to connect the add-on Thunderbolt I/O card.



1	FORCE_PWR	2	SCI_EVENT
3	SLP_S3#	4	SLP_S5#
5	GND		

## JRGB1~2, JRAINBOW1: RGB LED connectors

The JRGB connector allows you to connect the 5050 RGB LED strips 12V. The JRAINBOW connector allows you to connect the WS2812B Individually Addressable RGB LED strips 5V.



### ⚠ CAUTION

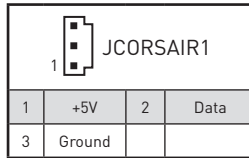
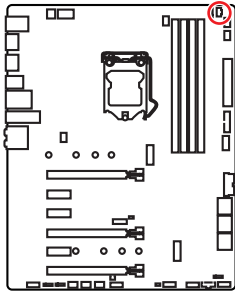
Do not connect the wrong type of LED strips. The JRGB connector and the JRAINBOW connector provide different voltages, and connecting the 5V LED strip to the JRGB connector will result in damage to the LED strip.

### ⚠ Important

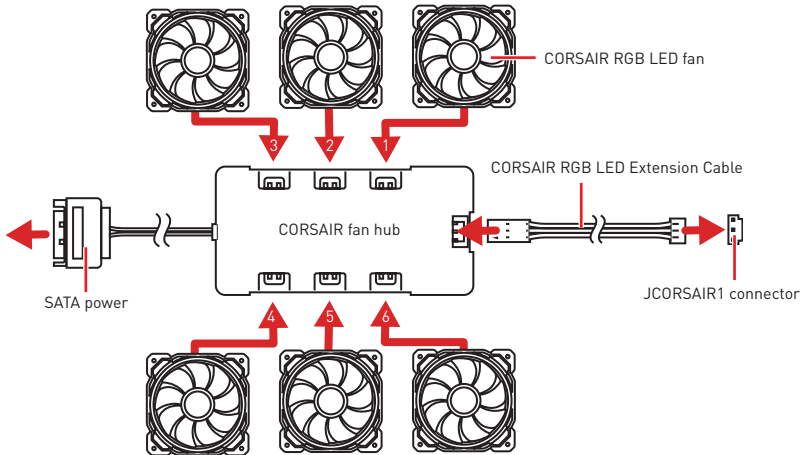
- The JRGB connector supports up to 2 meters continuous 5050 RGB LED strips (12V/G/R/B) with the maximum power rating of 3A (12V).
- The JRAINBOW connector supports up to 72 LEDs WS2812B Individually Addressable RGB LED strips (5V/Data/Ground) with the maximum power rating of 3A (5V).
- Always turn off the power supply and unplug the power cord from the power outlet before installing or removing the RGB LED strip.
- Please use MSI's software to control the extended LED strip.

## JCORSAIR1: CORSAIR Connector

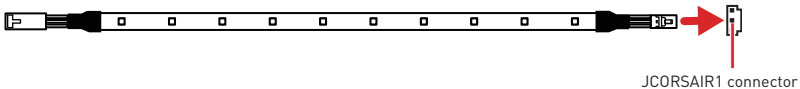
The JCORSAIR1 connector allows you to connect the CORSAIR Individually Addressable RGB LED strips 5V or CORSAIR RGB LED fans with the CORSAIR fan hub. Once all items are connected properly, you can control the CORSAIR RGB LED strips and fans with MSI's software.



### CORSAIR RGB LED Fan Connection



### CORSAIR Lighting Node PRO Connection

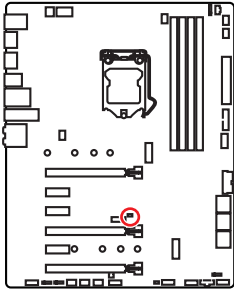


### Important

- Fans must start at 1 and continue in series. 1 > 2 > 3 > 4 > 5 > 6. Any fan not connected in series will break communication and the RGB LED lighting function will not work.
- Quantity of RGB LED Fans or RGB LED Lighting PRO strips supported may differ between models. Please refer to the motherboard specification.
- CORSAIR RGB LED Fan and CORSAIR Lighting Node PRO can't be used at the same time.

## JBAT1: Clear CMOS (Reset BIOS) Jumper

There is CMOS memory onboard that is external powered from a battery located on the motherboard to save system configuration data. If you want to clear the system configuration, set the jumper to clear the CMOS memory.



Keep Data  
(default)



Clear CMOS/  
Reset BIOS

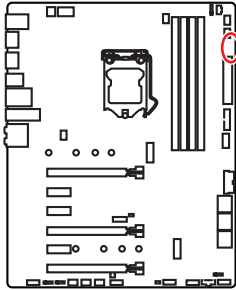
### Resetting BIOS to default values

1. Power off the computer and unplug the power cord
2. Use a jumper cap to short JBAT1 for about 5-10 seconds.
3. Remove the jumper cap from JBAT1.
4. Plug the power cord and power on the computer.

# Onboard LEDs

## EZ Debug LED

These LEDs indicate the debug status of the motherboard.



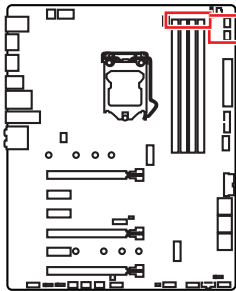
- CPU** - indicates CPU is not detected or fail.
- DRAM** - indicates DRAM is not detected or fail.
- VGA** - indicates GPU is not detected or fail.
- BOOT** - indicates the booting device is not detected or fail.

## DIMM LEDs

These LED indicate the memory modules are installed.

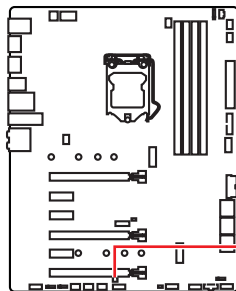
## XMP LED

This LED indicates the XMP (Extreme Memory Profile) mode is enabled.



## JPWRLED1: LED power input

This connector is used by retailers to demonstrate onboard LED light effects.



# Installing OS, Drivers & Utilities

Please download and update the latest utilities and drivers at [www.msi.com](http://www.msi.com)

## Installing Windows® 10

1. Power on the computer.
2. Insert the Windows® 10 installation disc/USB into your computer.
3. Press the **Restart** button on the computer case.
4. Press **F11** key during the computer POST (Power-On Self Test) to get into Boot Menu.
5. Select the Windows® 10 installation disc/USB from the Boot Menu.
6. Press any key when screen shows **Press any key to boot from CD or DVD...** message.
7. Follow the instructions on the screen to install Windows® 10.

## Installing Drivers

1. Start up your computer in Windows® 10.
2. Insert MSI® Driver Disc into your optical drive.
3. Click the **Select to choose what happens with this disc** pop-up notification, then select **Run DVDSetup.exe** to open the installer. If you turn off the AutoPlay feature from the Windows Control Panel, you can still manually execute the **DVDSetup.exe** from the root path of the MSI Driver Disc.
4. The installer will find and list all necessary drivers in the **Drivers/Software** tab.
5. Click the **Install** button in the lower-right corner of the window.
6. The drivers installation will then be in progress, after it has finished it will prompt you to restart.
7. Click **OK** button to finish.
8. Restart your computer.

## Installing Utilities

Before you install utilities, you must complete drivers installation.

1. Open the installer as described above.
2. Click the **Utilities** tab.
3. Select the utilities you want to install.
4. Click the **Install** button in the lower-right corner of the window.
5. The utilities installation will then be in progress, after it has finished it will prompt you to restart.
6. Click **OK** button to finish.
7. Restart your computer.

# BIOS Setup

The default settings offer the optimal performance for system stability in normal conditions. You should **always keep the default settings** to avoid possible system damage or failure booting unless you are familiar with BIOS.



- *BIOS items are continuously update for better system performance. Therefore, the description may be slightly different from the latest BIOS and should be for reference only. You could also refer to the **HELP** information panel for BIOS item description.*
- *The pictures in this chapter are for reference only and may vary from the product you purchased.*

## Entering BIOS Setup

Please refer the following methods to enter BIOS setup.

- Press **Delete** key, when the **Press DEL key to enter Setup Menu, F11 to enter Boot Menu** message appears on the screen during the boot process.
- In **MSI Dragon Center** application, click on **G02BIOS** button and choose **OK**. The system will reboot and enter BIOS setup directly.

## Function key

- F1:** General Help
- F2:** Add/ Remove a favorite item
- F3:** Enter Favorites menu
- F4:** Enter CPU Specifications menu
- F5:** Enter Memory-Z menu
- F6:** Load optimized defaults
- F7:** Switch between Advanced mode and EZ mode
- F8:** Load Overclocking Profile
- F9:** Save Overclocking Profile
- F10:** Save Change and Reset\*
- F12:** Take a screenshot and save it to USB flash drive (FAT/ FAT32 format only).
- Ctrl+F:** Enter Search page

\* When you press F10, a confirmation window appears and it provides the modification information. Select between Yes or No to confirm your choice.

## Resetting BIOS

You might need to restore the default BIOS setting to solve certain problems. There are several ways to reset BIOS:

- Go to BIOS and press **F6** to load optimized defaults.
- Short the **Clear CMOS** jumper on the motherboard.

## **Important**

Be sure the computer is off before clearing CMOS data. Please refer to the **Clear CMOS jumper** section for resetting BIOS.

## Updating BIOS

### Updating BIOS with M-FLASH

Before updating:

Please download the latest BIOS file that matches your motherboard model from MSI website. And then save the BIOS file into the USB flash drive.

Updating BIOS:

1. Insert the USB flash drive that contains the update file into the USB port.
2. Please refer the following methods to enter flash mode.
  - Reboot and press **Ctrl + F5** key during POST and click on **Yes** to reboot the system.
  - Reboot and press **Del** key during POST to enter BIOS. Click the **M-FLASH** button and click on **Yes** to reboot the system.
3. Select a BIOS file to perform the BIOS update process.
4. After the flashing process is 100% completed, the system will reboot automatically.

### Updating the BIOS with MSI DRAGON CENTER

Before updating:

Make sure the LAN driver is already installed and the Internet connection is set properly.

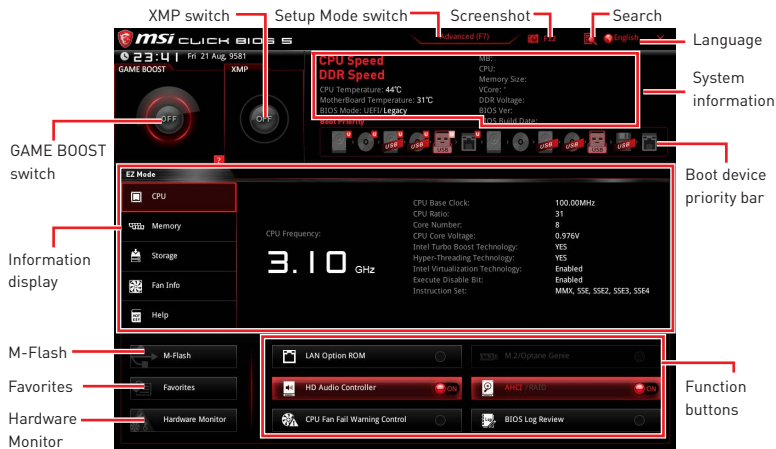
Updating BIOS:

1. Install and launch MSI DRAGON CENTER.
2. Select **BIOS Update**.
3. Click on **Scan** button.
4. Click on **Download** icon to download and install the latest BIOS file.
5. Click **Next** and choose **In Windows mode**. And then click **Next** and **Start** to start updating BIOS.
6. After the flashing process is 100% completed, the system will restart automatically.



## EZ Mode

At EZ mode, it provides the basic system information and allows you to configure the basic setting. To configure the advanced BIOS settings, please enter the Advanced Mode by pressing the **Setup Mode switch** or **F7** function key.



- **GAME BOOST switch** - click on it to toggle the GAME BOOST for OC.
- **XMP switch** - click on the inner circle to enable/ disable the X.M.P. (Extreme Memory Profile). Switch the outer circle to select the X.M.P. profile. This switch will only be available if the X.M.P. supported memory module is installed.
- **Setup Mode switch** - press this tab or the **F7** key to switch between Advanced mode and EZ mode.
- **Screenshot** - click on this tab or the **F12** key to take a screenshot and save it to USB flash drive (FAT/ FAT32 format only).
- **Search** - click on this tab or the **Ctrl+F** keys and the search page will show. It allows you to search BIOS item by key word. Move the mouse over a blank space and right click the mouse to exit search page.

### **Important**

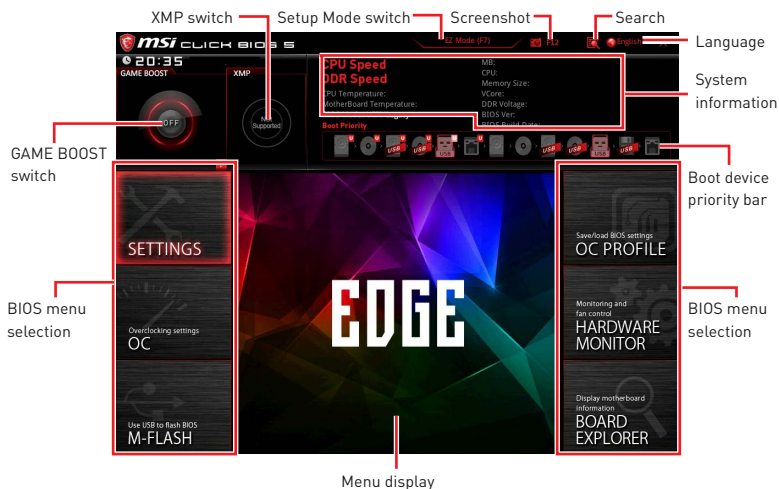
*In search page, only the F6, F10 and F12 function keys are available.*

- **Language** - allows you to select the language of BIOS setup.
- **System information** - shows the CPU/ DDR speed, CPU/ MB temperature, MB/ CPU type, memory size, CPU/ DDR voltage, BIOS version and build date.
- **Boot device priority bar** - you can move the device icons to change the boot priority. The boot priority from high to low is left to right.

- **Information display** - click on the **CPU, Memory, Storage, Fan Info** and **Help** buttons on left side to display related information.
- **Function buttons** - enable or disable the **LAN Option ROM, M.2/ Optane Genie, HD audio controller, AHCI/ RAID, CPU Fan Fail Warning Control** and **BIOS Log Review** by clicking on their respective button.
- **M-Flash** - click on this button to perform **M-Flash** function that provides the way to update BIOS with a USB flash drive.
- **Hardware Monitor** - click on this button to display the **Hardware Monitor** menu that allows you to manually control the fan speed by percentage.
- **Favorites menu** - press the **F3** key to enter **Favorites** menu. It allows you to create personal BIOS menu where you can save and access favorite/ frequently-used BIOS setting items.
  - **Default HomePage** - allows you to select a BIOS menu (e.g. SETTINGS, OC...,etc) as the BIOS home page.
  - **Favorite1~5 page** - allows you to add the frequently-used/ favorite BIOS setting items in one page.
  - **To add a BIOS item to a favorite page (Favorite 1~5)**
    1. Move the mouse over a BIOS item not only on BIOS menu but also on search page.
    2. Right-click or press **F2** key.
    3. Choose a favorite page and click on **OK**.
  - **To delete a BIOS item from favorite page**
    1. Move the mouse over a BIOS item on favorite page (Favorite 1~5)
    2. Right-click or press **F2** key.
    3. Choose **Delete** and click on **OK**.

## Advanced Mode

Press **Setup Mode switch** or **F7** function key can switch between EZ Mode and Advanced Mode in BIOS setup.



- **GAME BOOST switch/ XMP switch/ Setup Mode switch/ Screenshot/ Language/ Search/ System information/ Boot device priority bar** - please refer to the descriptions of EZ Mode Overview section.

- **BIOS menu selection** - the following options are available:

- **SETTINGS** - allows you to specify the parameters for chipset and boot devices.
- **OC** - allows you to adjust the frequency and voltage. Increasing the frequency may get better performance.
- **M-FLASH** - provides the way to update BIOS with a USB flash drive.
- **OC PROFILE** - allows you to manage overclocking profiles.
- **HARDWARE MONITOR** - allows you to set the speeds of fans and monitor voltages of system.
- **BOARD EXPLORER** - provides the information of installed devices on this motherboard.

- **Menu display** - provides BIOS setting items and information to be configured.

## OC Menu

This menu is for advanced users who want to overclock the motherboard.



### Important

- *Overclocking your PC manually is only recommended for advanced users.*
- *Overclocking is not guaranteed, and if done improperly, it could void your warranty or severely damage your hardware.*
- *If you are unfamiliar with overclocking, we advise you to use **GAME BOOST** function for easy overclocking.*

#### ► OC Explore Mode [Normal]

Enables or disables to show the normal or expert version of OC settings.

[Normal] Provides the regular OC settings in BIOS setup.

[Expert] Provides the advanced OC settings for OC expert to configure in BIOS setup.

Note: We use \* as the symbol for the OC settings of Expert mode.

#### ► CPU Ratio [Auto]

Sets the CPU ratio that is used to determine CPU clock speed. This item only appears when **CPU Ratio Apply Mode** set to **All Core**.

#### ► Adjusted CPU Frequency

Shows the adjusted CPU frequency. Read-only.

#### ► CPU Ratio Offset When Running AVX [Auto]

Sets a offset value to lower the CPU core ratio. It could be helpful for heat dissipation when running AVX instruction set. If set to Auto, BIOS will configure this setting automatically. This item appears when the installed CPU supports this function.

#### ► Ring Ratio [Auto]

Sets the ring ratio. The valid value range depends on the installed CPU.

#### ► Adjusted Ring Frequency

Shows the adjusted Ring frequency. Read-only.

### ► **GT Ratio [Auto]**

Sets the integrated graphics ratio. The valid value range depends on the installed CPU.

### ► **Adjusted GT Frequency**

Shows the adjusted integrated graphics frequency. Read-only.

### ► **Misc Setting\***

Press Enter, + or - key to open or close the following 3 items related to CPU features.

#### ► **EIST [Enabled]\***

Enables or disables the Enhanced Intel® SpeedStep Technology.

[Enabled] Enables the EIST to adjust CPU voltage and core frequency dynamically. It can decrease average power consumption and average heat production.

[Disabled] Disables EIST.

#### ► **Intel Turbo Boost [Enabled]\***

Enables or disables the Intel® Turbo Boost. This item appears when the installed CPU supports this function.

[Enabled] Enables this function to boost CPU performance automatically above rated specifications when system request the highest performance state.

[Disabled] Disables this function.

#### ► **Enhanced Turbo [Auto]\***

Enables or disables Enhanced Turbo function for all CPU cores to boost CPU performance. This item appears when the installed CPU supports this function.

[Auto] This setting will be configured automatically by BIOS.

[Enabled] All CPU cores would be increased to maximum turbo ratio.

[Disabled] Disables this function.

### ► **CPU Base Clock (MHz) [Default]**

Sets the CPU Base clock. You may overclock the CPU by adjusting this value. Please note that overclocking behavior and stability is not guaranteed. This item appears when a CPU that support this function is installed.

### ► **Extreme Memory Profile (X.M.P.) [Disabled]**

X.M.P. (Extreme Memory Profile) is the overclocking technology by memory module. Please enable XMP or select a profile of memory module for overclocking the memory. This item will be available when the memory modules that support X.M.P. is installed.

### ► **DRAM Frequency [Auto]**

Sets the DRAM frequency. Please note the overclocking behavior is not guaranteed.

### ► **Adjusted DRAM Frequency**

Shows the adjusted DRAM frequency. Read-only.

### ► **Memory Try It ! [Disabled]**

It improve memory compatibility or performance by choosing optimized memory preset.

### ► Advanced DRAM Configuration

Press **Enter** to enter the sub-menu. User can set the memory timing for each/ all memory channel. The system may become un-stable or un-bootable after changing memory timing. If it occurs, please clear the CMOS data and restore the default settings. (Refer to the Clear CMOS jumper/ button section to clear the CMOS data, and enter the BIOS to load the default settings.)

### ► Memory Fast Boot [Auto]\*

Enables or disables the initiation and training for memory every booting.

- [Auto] The setting will be configured automatically by BIOS.
- [Enabled] System will completely keep the archives of first initiation and training for memory. So the memory will not be initiated and trained when booting to accelerate the system booting time.
- [Disabled] The memory will be initiated and trained every booting.

### ► DigitALL Power

Press **Enter** to enter the sub-menu. In the sub-menu, you can setup some protecting conditions about voltage/ current/ tempature for CPU.

### ► CPU Voltages control [Auto]

These options allows you to set the voltages related to CPU. If set to **Auto**, BIOS will set these voltages automatically or you can set it manually.

### ► DRAM Voltages control [Auto]

These options allows you to set the voltages related to memory. If set to **Auto**, BIOS will set these voltages automatically or you can set it manually.

### ► CPU Memory Changed Detect [Enabled]\*

Enables or disables the system to issue a warning message during boot when the CPU or memory has been replaced.

- [Enabled] The system will issue a warning message during boot and then you have to load the default settings for new devices.
- [Disabled] Disables this function and keeps the current BIOS settings.

### ► CPU Specifications

Press **Enter** to enter the sub-menu. This sub-menu displays the information of installed CPU. You can also access this information menu at any time by pressing [F4]. Read only.

#### ► CPU Technology Support

Press **Enter** to enter the sub-menu. The sub-menu shows the key features of installed CPU. Read only.

### ► MEMORY-Z

Press **Enter** to enter the sub-menu. This sub-menu displays all the settings and timings of installed memory. You can also access this information menu at any time by pressing [F5].

#### ► DIMMA1/A2/B1/B2 Memory SPD

Press **Enter** to enter the sub-menu. The sub-menu displays the information of installed memory. Read only.

## ► CPU Features

Press **Enter** to enter the sub-menu.

### ► Hyper-Threading [Enabled]

Intel Hyper-Threading technology treats the multi cores inside the processor as multi logical processors that can execute instructions simultaneously. In this way, the system performance is highly improved. This item appears when the installed CPU supports this technology.

[Enabled] Enables Intel Hyper-Threading technology.

[Disabled] Disables this item if the system does not support HT function.

### ► Active Processor Cores Control [All]

Allows you to select the number of active CPU cores.

### ► Limit CPUID Maximum [Disabled]

Enables or disables the extended CPUID value.

[Enabled] BIOS limits the maximum CPUID input value to circumvent boot problems with older operating system that do not support the processor with extended CPUID value.

[Disabled] Use the actual maximum CPUID input value.

### ► Intel Virtualization Tech [Enabled]

Enables or disables Intel Virtualization technology.

[Enabled] Enables Intel Virtualization technology and allows a platform to run multiple operating systems in independent partitions. The system can function as multiple systems virtually.

[Disabled] Disables this function.

### ► Intel VT-D Tech [Disabled]

Enables or disables Intel VT-D (Intel Virtualization for Directed I/O) technology.

### ► Hardware Prefetcher [Enabled]

Enables or disables the hardware prefetcher (MLC Streamer prefetcher).

[Enabled] Allows the hardware prefetcher to automatically pre-fetch data and instructions into L2 cache from memory for tuning the CPU performance.

[Disabled] Disables the hardware prefetcher.

### ► Adjacent Cache Line Prefetch [Enabled]

Enables or disables the CPU hardware prefetcher (MLC Spatial prefetcher).

[Enabled] Enables adjacent cache line prefetching for reducing the cache latency time and tuning the performance to the specific application.

[Disabled] Enables the requested cache line only.

### ► CPU AES Instructions [Enabled]

Enables or disables the CPU AES (Advanced Encryption Standard-New Instructions) support. This item appears when a CPU supports this function.

► **Intel Adaptive Thermal Monitor [Enabled]**

Enables or disables the Intel adaptive thermal monitor function to protect the CPU from overheating.

[Enabled] Throttles down the CPU core clock speed when the CPU is over the adaptive temperature.

[Disabled] Disables this function.

► **Intel C-State [Auto]**

Enables or disables the Intel C-state. C-state is a processor power management technology defined by ACPI.

[Auto] This setting will be configured automatically by BIOS.

[Enabled] Detects the idle state of system and reduce CPU power consumption accordingly.

[Disabled] Disable this function.

► **C1E Support [Disabled]**

Enables or disables the C1E function for power-saving in halt state. This item appears when **Intel C-State** is enabled.

[Enabled] Enables C1E function to reduce the CPU frequency and voltage for power-saving in halt state.

[Disabled] Disables this function.

► **Package C State limit [Auto]**

This item allows you to select a CPU C-state level for power-saving when system is idle. The options of C-state depend on the installed CPU. This item appears when **Intel C-State** is enabled.

► **CFG Lock [Enabled]**

Lock or un-lock the MSR 0xE2[15], CFG lock bit.

[Enabled] Locks the CFG lock bit.

[Disabled] Un-locks the CFG lock bit.

► **EIST [Enabled]**

Enables or disables the Enhanced Intel® SpeedStep Technology. This item will appear when OC Explore Mode is set to Normal.

[Enabled] Enables the EIST to adjust CPU voltage and core frequency dynamically. It can decrease average power consumption and average heat production.

[Disabled] Disables EIST.

► **Intel Turbo Boost [Enabled]**

Enables or disables the Intel® Turbo Boost. This item is for Normal mode and appears when a CPU that support Turbo Boost is installed.

[Enabled] Enables this function to boost CPU performance automatically over specification when system request the highest performance state.

[Disabled] Disables this function.

► **Long Duration Power Limit (W) [Auto]**

Sets the long duration TDP power limit for CPU in Turbo Boost mode.

► **Long Duration Maintained (s) [Auto]**

Sets the maintaining time for Long duration power Limit(W).



► **Short Duration Power Limit (W) [Auto]**

Sets the short duration TDP power limit for CPU in Turbo Boost mode.

► **CPU Current Limit (A) [Auto]**

Sets maximum current limit of CPU package in Turbo Boost mode. When the current is over the specified value, the CPU will automatically reduce the core frequency for reducing the current.

► **FCLK Frequency [Auto]**

Sets FCLK frequency. Lower FCLK frequency may help you to set higher base clock frequency.

► **DMI Link Speed [Auto]**

Sets DMI speed.

► **SW Guard Extensions (SGX) [Software Control]**

Enables or disables Intel SGX.

► **Intel Speed Shift Technology [Auto]**

Enables or disables Intel Speed Shift Technology. It can optimize energy efficiency. This item is only available with the CPU that supports this technology.



# Inhalt

<b>Sicherheitshinweis</b> .....	<b>3</b>
<b>Spezifikationen</b> .....	<b>4</b>
JCORSAIR1 Anschluss-Spezifikationen.....	9
<b>Packungsinhalt</b> .....	<b>9</b>
<b>Rückseite E/A</b> .....	<b>10</b>
LAN Port LED Zustandstabelle.....	10
Konfiguration der Audioanschlüsse.....	10
Realtek Audio Console.....	11
<b>Übersicht der Komponenten</b> .....	<b>14</b>
CPU Socket.....	15
DIMM-Steckplätze.....	16
PCI_E1~5: PCIe Erweiterungssteckplätze.....	17
M2_1~2: M.2 Steckplätze (Key M).....	19
SATA1~6: SATA 6 Gb/s Anschlüsse.....	20
CPU_PWR1~2, ATX_PWR1: Stromanschlüsse.....	22
JFP1, JFP2: Frontpanel-Anschlüsse.....	23
JUSBC1: USB 3.1 Gen2 Typ-C Anschluss.....	23
JUSB1~2: USB 3.1 Gen1 Anschlüsse.....	24
JUSB3~4: USB 2.0 Anschlüsse.....	24
CPU_FAN1, PUMP_FAN1, SYS_FAN1~5: Stromanschlüsse für Lüfter.....	25
JAUD1: Audioanschluss des Frontpanels.....	26
JCI1: Gehäusekontaktanschluss.....	26
JTPM1: TPM Anschluss.....	27
JCOM1: Serieller Anschluss.....	27
JTBT1: Anschluss für Thunderbolt-Erweiterungskarte.....	27
JRGB1~2, JRAINBOW1: RGB LED Anschlüsse.....	28
JCORSAIR1: CORSAIR Anschluss.....	29
JBAT1: Clear CMOS Steckbrücke (Reset BIOS).....	30
<b>Onboard LEDs</b> .....	<b>31</b>
EZ Debug LED.....	31
DIMM LEDs.....	31
XMP LED.....	31
JPWRLED1: LED Stromzufuhr.....	31
<b>Installation von OS, Treibern und Utilities</b> .....	<b>32</b>
Installation von Windows® 10.....	32
Installation von Treibern.....	32
Installation von Utilities.....	32

<b>BIOS Setup</b> .....	<b>33</b>
Öffnen des BIOS Setups.....	33
Reset des BIOS .....	34
Aktualisierung des BIOS.....	34
EZ Modus .....	35
Erweiterter Modus .....	37
OC Menü.....	38

# Sicherheitshinweis

- Die im Paket enthaltene Komponenten sind der Beschädigung durch elektrostatischen Entladung (ESD). Beachten Sie bitte die folgenden Hinweise, um die erfolgreichen Computermontage sicherzustellen.
- Stellen Sie sicher, dass alle Komponenten fest angeschlossen sind. Lockere Steckverbindungen können Probleme verursachen, zum Beispiel: Der Computer erkennt eine Komponente nicht oder startet nicht.
- Halten Sie das Motherboard nur an den Rändern fest, und verhindern Sie die Berührung der sensiblen Komponenten.
- Um eine Beschädigung der Komponenten durch elektrostatische Entladung (ESD) zu vermeiden, sollten Sie eines elektrostatischen Armbands während der Handhabung des Motherboards tragen. Wenn kein elektrostatischen Handgelenkband vorhanden ist, sollten Sie Ihre statische Elektrizität ableiten, indem Sie ein anderes Metallobjekt berühren, bevor Sie das Motherboard anfassen.
- Bewahren Sie das Motherboard in einer elektrostatische Abschirmung oder einem Antistatiktuch auf, wenn das Motherboard nicht installiert ist.
- Überprüfen Sie vor dem Einschalten des Computers, dass sich keine losen Schrauben und andere Bauteile auf dem Motherboard oder im Computergehäuse befinden.
- Bitte starten Sie den Computer nicht, bevor die Installation abgeschlossen ist. Dies könnte permanente Schäden an den Komponenten sowie zu das Verletzung des Benutzers verursachen.
- Sollten Sie Hilfe bei der Installation benötigen, wenden Sie sich bitte an einen zertifizierten Computer-Techniker.
- Schalten Sie die Stromversorgung aus und ziehen Sie das das Stromkabel ab, bevor Sie jegliche Computer-Komponente ein- und ausbauen.
- Bewahren Sie die Bedienungsanleitung als künftige Referenz auf.
- Halten Sie das Motherboard von Feuchtigkeit fern.
- Bitte stellen Sie sicher, dass Ihre Netzspannung den Hinweisen auf dem Netzteil vor Anschluss des Netzteils an die Steckdose entspricht.
- Verlegen Sie das Netzkabel so, dass niemand versehentlich darauf treten kann. Stellen Sie nichts auf dem Netzkabel ab.
- Alle Achtungs- und Warnhinweise auf dem Motherboard müssen befolgt werden.
- Falls einer der folgenden Umstände eintritt, lassen Sie bitte das Motherboard von Kundendienstpersonal prüfen:
  - Flüssigkeit ist in dem Computer eingedrungen.
  - Das Motherboard wurde Feuchtigkeit ausgesetzt.
  - Das Motherboard funktioniert nicht richtig oder Sie können es nicht wie in der Bedienungsanleitung beschrieben bedienen.
  - Das Motherboard ist heruntergefallen und beschädigt.
  - Das Motherboard weist offensichtlich Zeichen eines Schadens auf.

Nutzen und lagern Sie das Gerät nicht an Stellen, an denen Temperaturen von mehr als 60°C herrschen - das Motherboard kann in diesem Fall Schaden nehmen.

# Spezifikationen

<b>CPU</b>	<p>Unterstützt Intel® Core™ 9000 Serie Prozessor-Familie/ Intel® Core™ der 8. Generation Prozessoren / Pentium® Gold / Celeron® Prozessoren für Socket LGA1151</p> <p>* Weitere Kompatibilitätsinformationen finden Sie unter <a href="http://www.intel.com">www.intel.com</a>.</p>
<b>Chipsatz</b>	Intel® Z390 Chipsatz
<b>Speicher</b>	<ul style="list-style-type: none"> <li>• 4x DDR4 Speicherplätze, aufrüstbar bis 64 GB*</li> <li>• Unterstützt DDR4 4400(OC)/ 4300(OC)/ 4266(OC)/ 4200(OC)/ 4133(OC)/ 4000(OC)/ 3866(OC)/ 3733(OC)/ 3600(OC)/ 3466(OC)/ 3400(OC)/ 3333(OC)/ 3300(OC)/ 3200(OC)/ 3000(OC) / 2800(OC)/ 2666/ 2400/ 2133 MHz*</li> <li>• Dual-Kanal-Speicherarchitektur</li> <li>• Unterstützt non-ECC, ungepufferte Speicher</li> <li>• Unterstützt Intel® Extreme Memory Profile (XMP)</li> </ul> <p>* Weitere Informationen zu kompatiblen Speicher finden Sie unter: <a href="http://www.msi.com">http://www.msi.com</a>.</p>
<b>Erweiterungsanschlüsse</b>	<ul style="list-style-type: none"> <li>• 3x PCIe 3.0 x16-Steckplätze (unterstützt x16/x0/x4, x8/x8/x4 Modil)</li> <li>• 3x PCIe 3.0 x1-Steckplätze</li> </ul>
<b>Onboard-Grafik</b>	<ul style="list-style-type: none"> <li>• 1x Anschluss HDMI™ 1.4, Unterstützung einer maximalen Auflösung von 4096x2160@24Hz</li> <li>• 1x Anschluss DisplayPort 1.2, Unterstützung einer maximalen Auflösung von 4096X2304@60Hz</li> </ul>
<b>Multi-GPU</b>	<ul style="list-style-type: none"> <li>• Unterstützt die 2-Wege NVIDIA® SLI™ Technologie</li> <li>• Unterstützt die 3-Wege AMD® CrossFire™ Technologie</li> </ul>
<b>Aufbewahrung</b>	<p>Intel® Z390 Chipsatz</p> <ul style="list-style-type: none"> <li>• 6x SATA 6Gb/s Anschlüsse*</li> <li>• 2x M.2 Steckplätze (Key M)* <ul style="list-style-type: none"> <li>▪ Unterstützt bis zu PCIe 3.0 x4 und SATA 6Gb/s, 2242/ 2260/ 2280/ 22110 Speichergeräte</li> <li>▪ Intel® Optane™ Technik**</li> </ul> </li> </ul> <p>* Die M.2 Steckplätze und die SATA Anschlüsse teilen die Bandbreite. Auf Seite 20 finden Sie für Details.</p> <p>** Bevor Sie Intel® Optane™ Speichermodule verwenden, stellen Sie bitte über Downloads von der MSI Website sicher, dass die Treiber und das BIOS auf dem neuesten Stand sind.</p>

Fortsetzung auf der nächsten Seite

Fortsetzung der vorherigen Seite

<b>RAID</b>	<p>Intel® Z390 Chipsatz</p> <ul style="list-style-type: none"><li>• Unterstützt RAID 0, RAID1, RAID 5 und RAID 10 für SATA Speichergeräte</li><li>• Unterstützt RAID 0, RAID 1 für M.2 PCIe Speichergeräte</li></ul>
<b>LAN</b>	1x Intel I219-V Gigabit LAN Controller
<b>Wireless LAN &amp; Bluetooth®</b>	<p>Intel® Wireless-AC 9462 Karte</p> <ul style="list-style-type: none"><li>• Unterstützt 802.11 a/b/g/n/ac, MU-MIMO Rx, 2,4 GHz/ 5 GHz mit Datenraten von bis zu 433 Mbps</li><li>• Unterstützt Bluetooth®2.1, 2.1+EDR, 3.0,4.0, 5</li></ul>
<b>USB</b>	<p>Intel® Z390 Chipsatz</p> <ul style="list-style-type: none"><li>• 3x USB 3.1 Gen2 (SuperSpeed USB 10Gbps) Anschlüsse (1 Typ-C und 1 Typ-A Anschlüsse an der rückseitigen Anschlussleiste, 1 Typ-C interner Anschluss)</li><li>• 6x USB 3.1 Gen1 (SuperSpeed USB) Anschlüsse (2 Typ-A Anschlüsse an der rückseitigen Anschlussleiste, 4 Anschlüsse stehen durch die internen USB Anschluss zur Verfügung)</li><li>• 6x USB 2.0 (High-speed USB) Anschlüsse (2 Typ-A Anschlüsse an der rückseitigen Anschlussleiste, 4 Anschlüsse stehen durch die internen USB Anschluss zur Verfügung)</li></ul>
<b>Audio</b>	<p>Realtek® ALC1220P Codec</p> <ul style="list-style-type: none"><li>• 7.1-Kanal-HD-Audio</li><li>• Unterstützt S/PDIF-Ausgang</li></ul>
<b>Hintere Ein-/ und Ausgänge</b>	<ul style="list-style-type: none"><li>• 1x PS/2 Tastatur/ Maus-Combo-Anschluss</li><li>• 2x USB 2.0 Typ-A Anschlüsse</li><li>• 1x DisplayPort Anschluss</li><li>• 1x HDMI™ Anschluss</li><li>• 1x USB 3.1 Gen2 Typ-A Anschluss</li><li>• 1x USB 3.1 Gen2 Typ-C Anschluss</li><li>• 1x LAN (RJ45) Anschluss</li><li>• 2x USB 3.1 Gen1 Typ-A Anschlüsse</li><li>• 2x Wi-Fi Antennenanschlüsse</li><li>• 5x OFC Audiobuchsen</li><li>• 1x Optischer S/PDIF-Ausgang</li></ul>

Fortsetzung auf der nächsten Seite


Fortsetzung der vorherigen Seite

<b>Interne Anschlüsse</b>	<ul style="list-style-type: none"><li>• 1x 24-poliger ATX Stromanschluss</li><li>• 1x 8-poliger ATX 12 V Stromanschluss</li><li>• 1x 4-poliger ATX 12 V Stromanschluss</li><li>• 6x SATA 6Gb/s Anschlüsse</li><li>• 1x USB 3.1 Gen2 Typ-C Anschluss</li><li>• 2x USB 3.1 Gen1 Anschlüsse (unterstützt zusätzliche 4 USB 3.1 Gen1-Ports)</li><li>• 2x USB 2.0 Anschlüsse (unterstützt zusätzliche 4 USB 2.0-Ports)</li><li>• 1x 4-poliger CPU-Lüfter-Anschluss</li><li>• 1x 4-poliger Anschluss für die Wasserpumpe</li><li>• 5x 4-polige System-Lüfter-Anschlüsse</li><li>• 1x Serieller Anschluss</li><li>• 1x Audioanschluss des Frontpanels</li><li>• 2x System-Panel-Anschlüsse</li><li>• 1x Anschluss für Thunderbolt-Erweiterungskarte</li><li>• 1x Gehäusekontaktschalter</li><li>• 1x TPM Anschluss</li><li>• 2x 4-polige RGB LED Anschlüsse</li><li>• 1x 3-poliger RAINBOW LED Anschluss</li><li>• 1x 3-poliger CORSAIR LED Anschluss</li></ul>
<b>Debug LED</b>	<ul style="list-style-type: none"><li>• 4x EZ Debug LED</li></ul>
<b>E/A Anschluss</b>	NUVOTON NCT6797 Controller Chip
<b>Hardware Monitor</b>	<ul style="list-style-type: none"><li>• CPU/System Temperaturerfassung</li><li>• CPU/System Geschwindigkeitserfassung</li><li>• CPU/System Lüfterdrehzahlregelung</li></ul>
<b>Formfaktor</b>	<ul style="list-style-type: none"><li>• ATX Formfaktor</li><li>• 9,6 Zoll x 12,0 Zoll (24,3 cm x 30,4 cm)</li></ul>
<b>BIOS Funktionen</b>	<ul style="list-style-type: none"><li>• 1x 128 Mb Flash</li><li>• UEFI AMI BIOS</li><li>• ACPI 6.1, SMBIOS 2.8</li><li>• Mehrsprachenunterstützung</li></ul>

Fortsetzung auf der nächsten Seite



Fortsetzung der vorherigen Seite

<b>Software</b>	<ul style="list-style-type: none"><li>• Treiber</li><li>• DRAGON CENTER</li><li>• MYSTIC LIGHT</li><li>• Nahimic Audio</li><li>• Open Broadcaster Software (OBS)</li><li>• CPU-Z MSI GAMING</li><li>• MSI App Player (BlueStacks)</li><li>• Intel® Extreme Tuning Utility</li><li>• Google Chrome™, Google Toolbar, Google Drive</li><li>• Norton™ Internet Security Solution</li></ul>
<b>Dragon Center Funktionen</b>	<ul style="list-style-type: none"><li>• GAME OPTIMIZATION</li><li>• OC Leistung</li><li>• Hardware Monitor</li><li>• Eyereast</li><li>• LAN Manager</li><li>• Live Update</li></ul>  <p>Weitere Informationen finden Sie unter <a href="http://download.msi.com/manual/mb/DRAGONCENTER2.pdf">http://download.msi.com/manual/mb/DRAGONCENTER2.pdf</a></p>
<b>Besondere Funktionen</b>	<ul style="list-style-type: none"><li>• Audio<ul style="list-style-type: none"><li>▪ Audio Boost 4</li><li>▪ Nahimic 3</li><li>▪ Voice Boost</li></ul></li><li>• Netzwerk<ul style="list-style-type: none"><li>▪ GAMING LAN mit Gaming LAN Manager</li><li>▪ Intel CNVi WiFi</li></ul></li></ul>

Fortsetzung auf der nächsten Seite

Fortsetzung der vorherigen Seite

## Besondere Funktionen

- Speicherung
  - Twin Turbo M.2
- Lüfter
  - Pump-Lüfter
  - GAMING-Lüftersteuerung
- LED
  - Mystic Light
  - Mystic Light Extension (RGB)
  - Mystic Light Extension (RAINBOW)
  - Mystic Light Extension (CORSAIR)
  - Mystic Light SYNC
  - EZ DEBUG LED
- Schutz
  - PCI-E Steel Armor
- Leistung
  - Multi GPU – SLI Technologie
  - Multi GPU – CrossFire Technologie
  - DDR4 Boost
  - Core Boost
  - GAME Boost
  - USB Anschluss mit Typ A+C
  - INTEL Turbo USB 3.1 Gen 2
- VR
  - VR Ready
- Gamer-Erfahrungen
  - GAMING HOTKEY
  - GAMING Maussteuerung
  - APP-Player
- BIOS
  - Click BIOS 5

## JCORSAIR1 Anschluss-Spezifikationen

Unterstützung von CORSAIR RGB-Produkten	Maximale Verbindung
Lighting Node PRO RGB LED Streifen	20* * Bei der Helligkeit der 20 Prozent
HD120 RGB Lüfter	6
SP120 RGB Lüfter	6
LL120 RGB Lüfter	6

## Packungsinhalt

Überprüfen Sie den Packungsinhalt des Mainboards. Die Packung sollte enthalten:

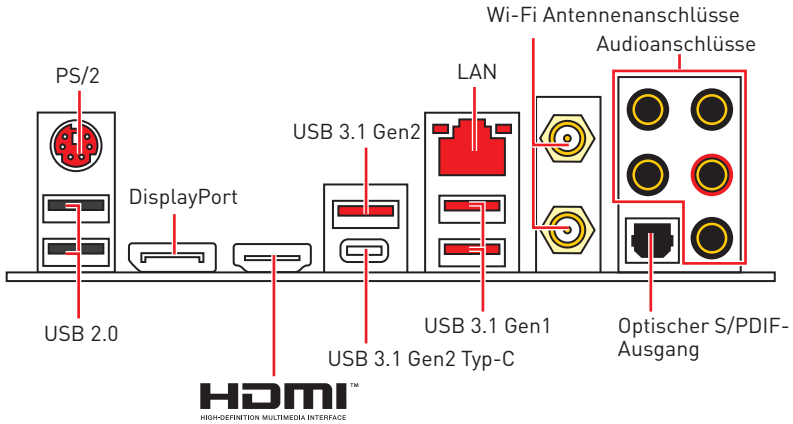
Motherboard	MPG Z390 GAMING EDGE AC	
Kabel	SATA 6Gb/s Kabel	2
	LED Kabel	1
Zubehör	Antennenset	1
	SLI HB BRIDGE M	1
	M.2 Schraube	2
	Gehäuse-Aufkleber	1
	SATA-Kabeletiketten	1
	Produktregistrierungskarte	1
	Anschlussblende	1
Programm DVD	Treiber-DVD	1
Dokumentation	Benutzerhandbuch	1
Dokumentation	Schnellinstallationsanleitung	1



### **Wichtig**

Falls einer der oben aufgeführten Artikel beschädigt ist oder fehlt, wenden Sie sich bitte an Ihren Händler.

# Rückseite E/A



## LAN Port LED Zustandstabelle

Verbindung/ Aktivität LED			Geschwindigkeit LED	
Zustand	Bezeichnung		Zustand	Bezeichnung
Aus	Keine Verbindung		Aus	10 Mbps-Verbindung
Gelb	Verbindung		Grün	100 Mbps-Verbindung
Blinkt	Datenaktivität		Orange	1 Gbps-Verbindung

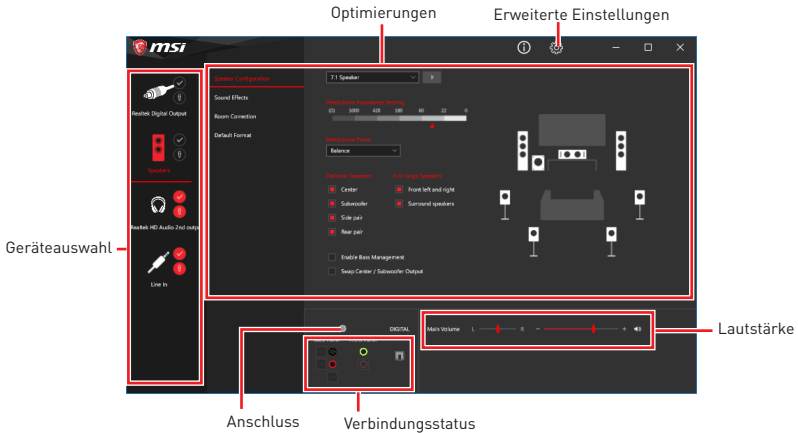
## Konfiguration der Audioanschlüsse

Audioanschlüsse	Kanal			
	2	4	6	8
Mitte-/ Subwoofer-Ausgang			●	●
Hinterer Lautsprecher		●	●	●
Line-In/ Seitliche Lautsprecher				●
Line-Out/ Vorderer Lautsprecher	●	●	●	●
Mic-In				

(●: Verbindet, **Blank:** Leer)

# Realtek Audio Console

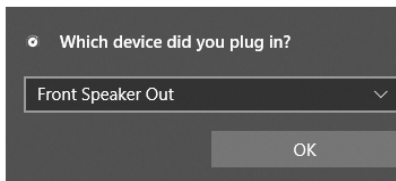
Nach der Installation des Realtek Audio Console-Treibers, können Sie die Audioeinstellungen verändern, um ein optimales Klangerlebnis zu erzeugen.



- **Geräteauswahl** - Ermöglicht die Auswahl der Audio-Ausgangs Quelle. Das aktuell aktivierte Gerät ist mit einem Haken gekennzeichnet.
- **Optimierungen** - Die Vielfalt an Optionen bietet eine komplette Anleitung von erwarteten Sound-Effekt für beide Ausgangs- und Eingangsvorrichtung.
- **Lautstärke** - Steuert die Lautstärke und die Balance-Einstellung der Lautsprecher, die im Front-Panel oder auf der Rückseite des PCs eingesteckt sind.
- **Erweiterte Einstellungen** - Ermöglicht die zeitgleiche Verwendung von zwei Audiostreams.
- **Verbindungsstatus** - Bildet die angeschlossenen Render- und Capture-Geräte ab.
- **Anschlüsse** - Konfiguriert die Anschlusseinstellungen.

## Auto Popup-Dialog

Nach dem Anschluss eines Audio-Klinkensteckers erscheint ein Dialogfenster und fragt nach einer Bestätigung für das angeschlossene Gerät.

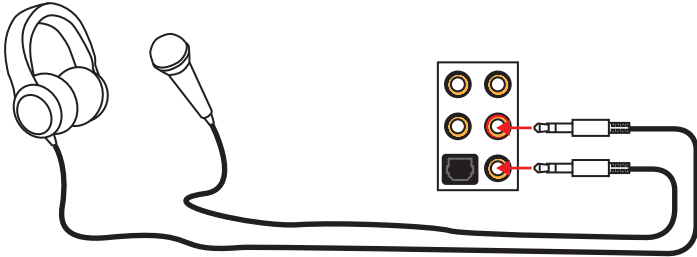


Jede Buchse entspricht diesem Wert der Grundeinstellung, wie es auf den nächsten Seiten gezeigt wird.

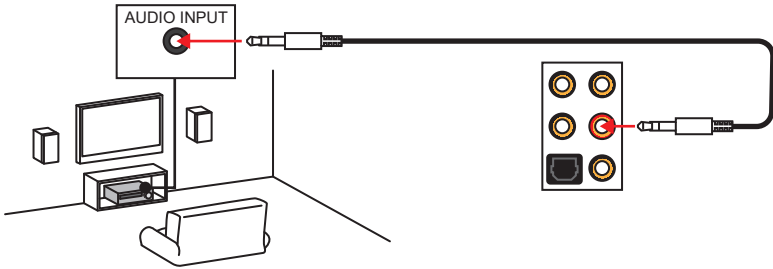


Die obige Bilder stellen lediglich Referenzen dar und können von dem von Ihnen erworbenen Produkt abweichen.

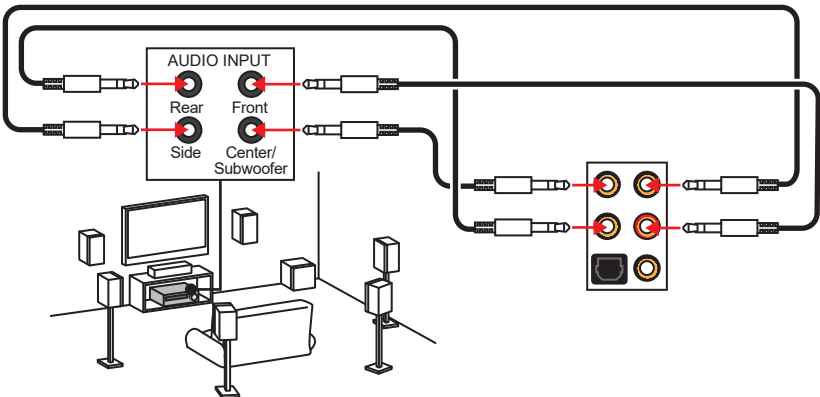
## Audiobuchsen für den Anschluss von einem Kopfhörer und Mikrophon



## Audiobuchsen für Stereo-Lautsprecher

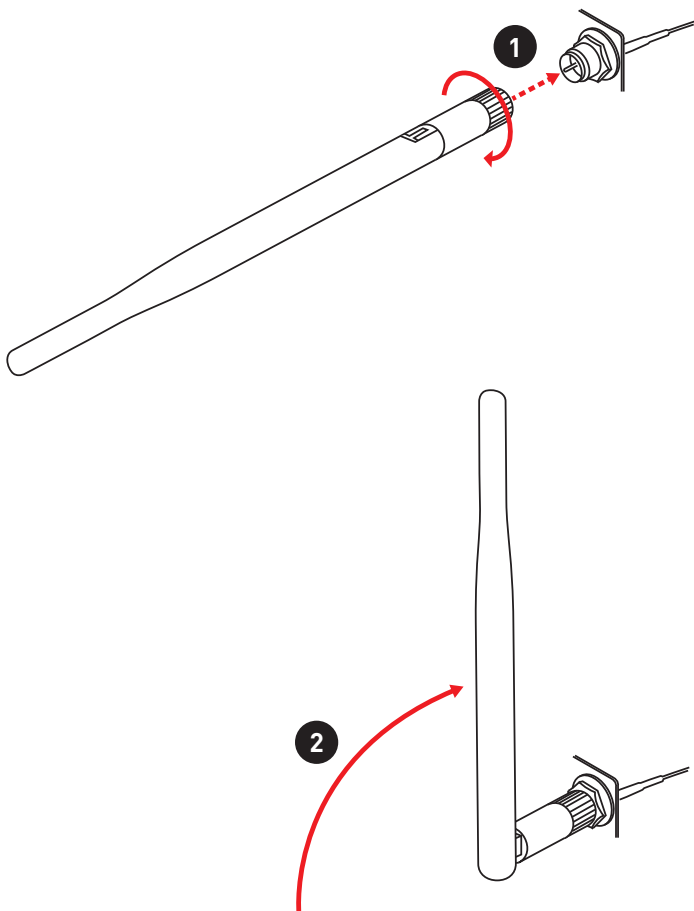


## Audiobuchsen für 7.1 Kanal Anlage

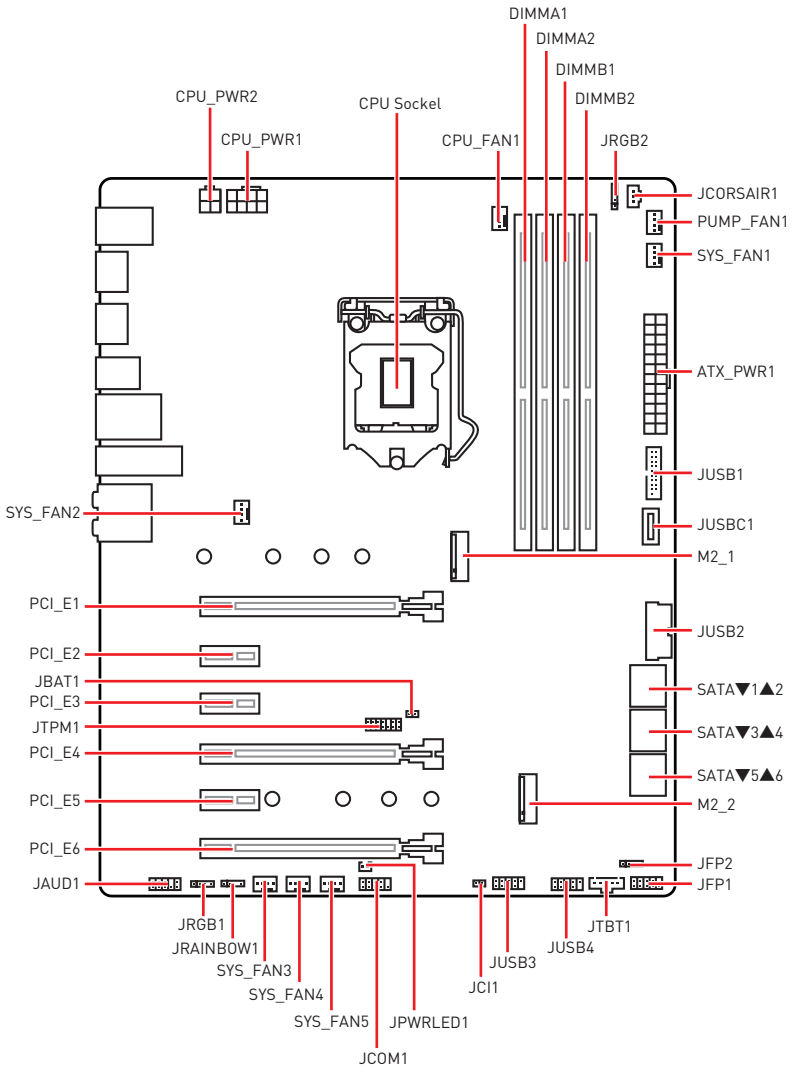


## Antennen installieren

1. Schrauben Sie die Antennen fest an die Antennenanschlüsse, wie gezeigt.
2. Richten Sie die Antennenspitzen aus.

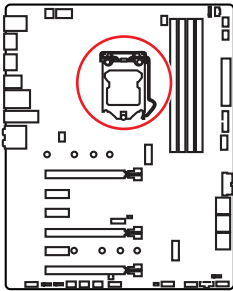


# Übersicht der Komponenten

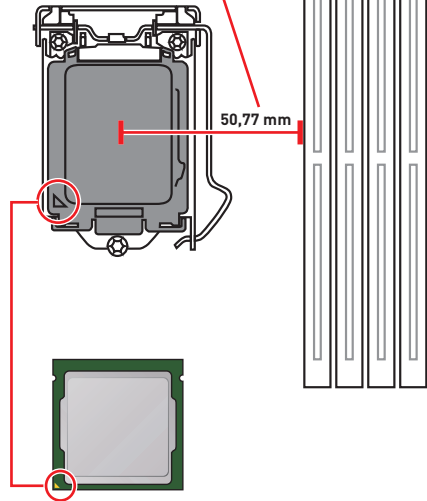




## CPU Socket



Abstand zwischen der Mitte der CPU und dem nächsten DIMM-Steckplatz.



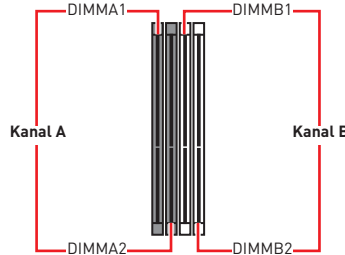
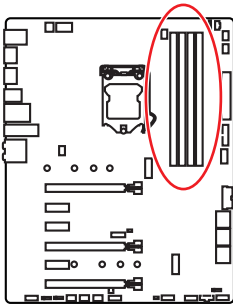
### Erklärung zur LGA 1151 CPU

Die Oberseite der LGA 1151 CPU hat zwei **Justierungen** und ein **goldenes Dreieck** um die korrekte Ausrichtung der CPU auf dem Motherboard zu gewährleisten. Das goldene Dreieck des Prozessors definiert die Position des ersten Pins.

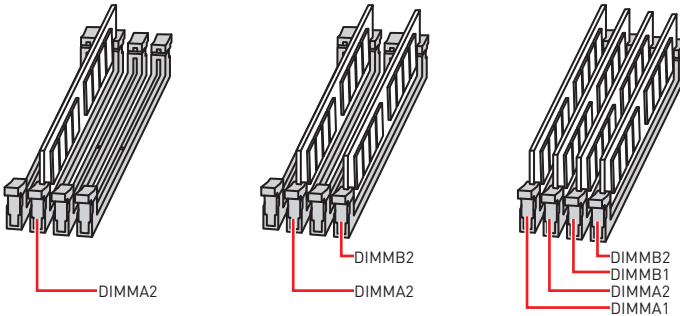
#### **Wichtig**

- Ziehen Sie das Netzkabel ab, bevor Sie die CPU ein- und ausbauen.
- Bitte bewahren Sie die CPU Schutzkappe nach der Installation des Prozessors auf. MSI wird RMA (Return Merchandise Authorization) Anfragen nur dann behandeln, wenn die Schutzkappe auf dem CPU-Sockel des Motherboards sitzt.
- Wenn Sie eine CPU einbauen, denken sie bitte daran, einen CPU-Kühler zu installieren. Ein CPU-Kühler ist notwendig, um eine Überhitzung zu vermeiden und die Systemstabilität zu gewährleisten.
- Stellen Sie sicher, dass Ihr Kühlkörper eine feste Verbindung mit der CPU hergestellt hat, bevor Sie Ihr System starten.
- Überhitzung beschädigt die CPU und das System nachhaltig. Stellen Sie stets eine korrekte Funktionsweise des CPU Kühlers sicher, um die CPU vor Überhitzung zu schützen. Stellen Sie sicher, dass eine gleichmäßige Schicht thermischer Paste oder thermischen Tapes zwischen der CPU und dem Kühlkörper vorhanden ist, um die Wärmeableitung zu erhöhen.
- Schützen Sie den CPU-Sockel immer mit der Plastikabdeckung, wenn keine CPU installiert ist.
- Verwenden Sie bitte die Installationsanweisung des Kühlkörpers/Kühlers, falls Sie eine separate CPU oder einen Kühlkörper/ Kühler erworben haben.
- Dieses Motherboard wurde so entworfen, dass es Übertakten unterstützt. Stellen Sie jedoch bitte sicher, dass die betroffenen Komponenten mit den abweichenden Einstellungen während des Übertaktens zurecht kommen. Von jedem Versuch des Betriebes außerhalb der Produktspezifikationen kann nur abgeraten werden. MSI übernimmt keinerlei Garantie für die Schäden und Risiken, die aus einem unzulässigem Betrieb oder einem Betrieb außerhalb der Produktspezifikation resultieren.

## DIMM-Steckplätze



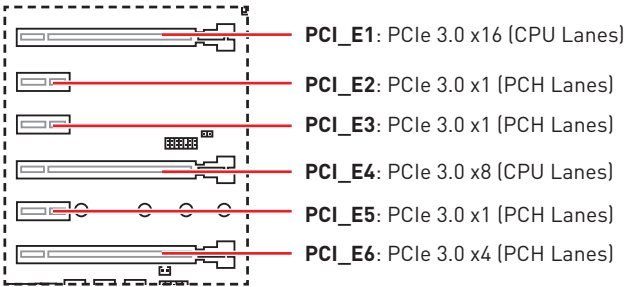
## Speichermodul-Installationsempfehlung



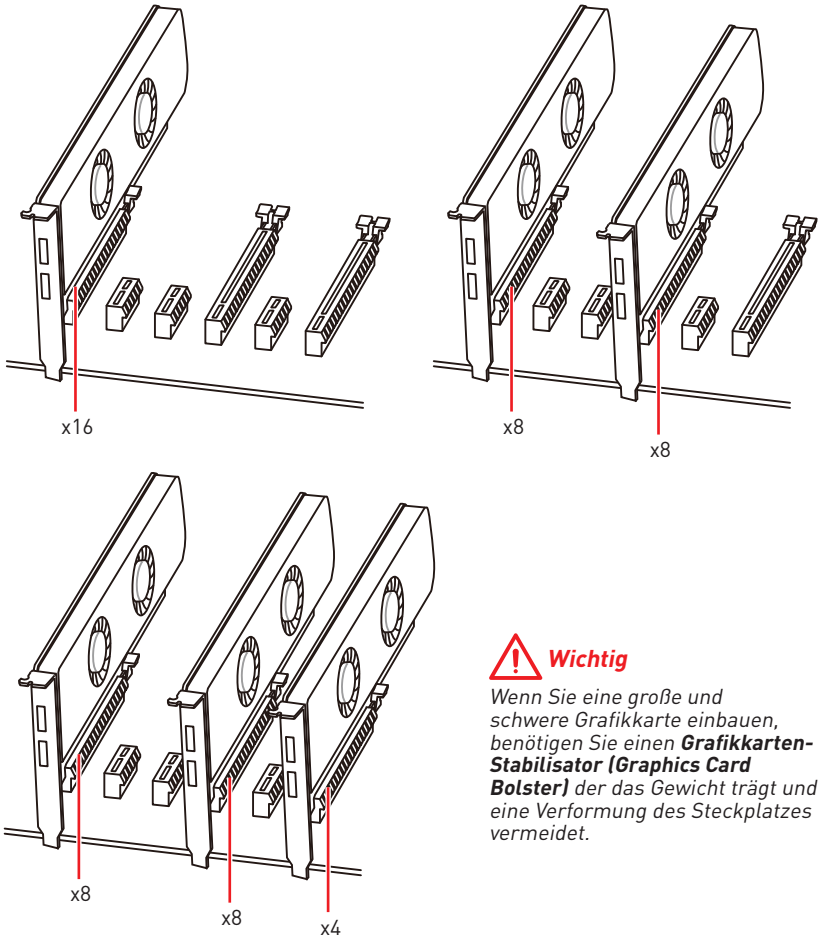
### Wichtig

- Um einen sicheren Systemstart zu gewährleisten, bestücken Sie immer **DIMMA2** zuerst.
- Aufgrund der Chipsatzressourcennutzung wird die verfügbare Kapazität des Speichers kleiner sein als die Größe der installierten Speicherkapazität.
- Basierend auf der Intel CPU Spezifikation wird eine Speicherspannung unter 1,35 Volt vorgeschlagen, um die CPU zu schützen.
- Bitte beachten Sie, dass die maximale Kapazität eines 32-Bit-Windows-Betriebssystem bei 4GB oder weniger liegt. Wenn Sie mehr als 4 GB Speicher auf dem Motherboard einbauen möchten, empfehlen wir deshalb, ein 64-Bit-Windows-Betriebssystem zu installieren.
- Einige Speicherriegel können beim Übertakten auf einer niedrigeren Frequenz arbeiten, als der festgelegte Wert - abhängig von dem SPD (Serial Presence Detect). Stellen Sie im BIOS-Setup mit **Memory Try It!** die Speicherfrequenz ein, wenn Sie mit der festgelegten oder einer höheren Speicherfrequenz arbeiten möchten.
- Es wird empfohlen, ein effizienteres Speicherkühlsystem bei einer Vollbestückung des DIMMs oder beim Übertakten zu verwenden.
- Die Stabilität und Kompatibilität beim Übertakten der installierten Speichermodule sind abhängig von der installierten CPU und den installierten Geräten.

## PCI\_E1~5: PCIe Erweiterungssteckplätze



### Mehrere Grafikkarten Einbauempfehlung



### **Wichtig**

Wenn Sie eine große und schwere Grafikkarte einbauen, benötigen Sie einen **Grafikkarten-Stabilisator (Graphics Card Bolster)** der das Gewicht trägt und eine Verformung des Steckplatzes vermeidet.

## **Wichtig**

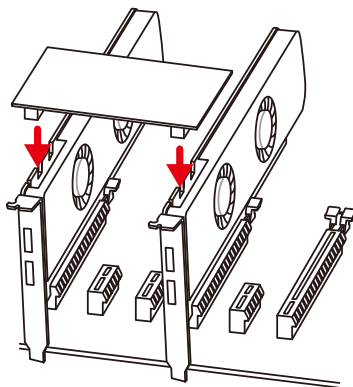
- Für die Installation einer einzelnen PCIe x16 Erweiterungskarte mit optimaler Leistung, empfehlen wir den **PCI\_E1** Steckplatz zu verwenden.
- Achten Sie darauf, dass Sie den Strom abschalten und das Netzkabel aus der Steckdose herausziehen, bevor Sie eine Erweiterungskarte installieren oder entfernen. Lesen Sie bitte auch die Dokumentation der Erweiterungskarte, um notwendige zusätzliche Hardware oder Software-Änderungen zu überprüfen.

## Einbau von SLI-Grafikkarten

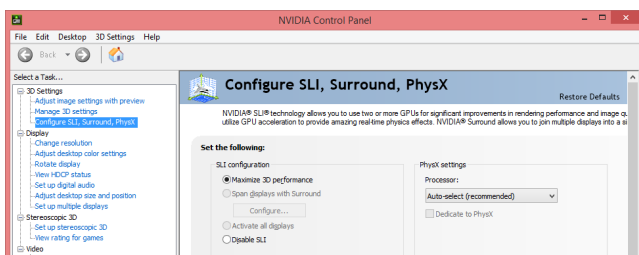
Stellen Sie eine ausreichende Stromversorgung für SLI-Konfigurationen sicher. Die notwendigen Informationen können Sie aus dem Handbuch Ihrer Grafikkarte entnehmen.

Installation der SLI-Grafikkarten:

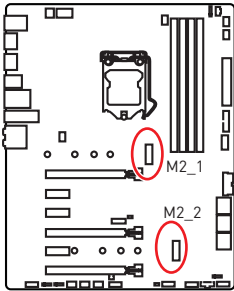
1. Schalten Sie Ihren Computer aus und ziehen Sie die Kabel ab. Installieren Sie Ihre Grafikkarten im **PCI\_E1** und **PCI\_E4** Slot.
2. Verbinden Sie beide Karten mit einer **SLI-Brücke**.



3. Verbinden Sie alle PCIe-Stromanschlüsse der Grafikkarten.
4. Schließen Sie das Netzkabel wieder an und schalten Sie den Computer ein. Installieren Sie die Treiber und die Software, die im Lieferumfang Ihrer Grafikkarten enthalten sind.
5. Klicken Sie in Ihrem Windows-Desktop auf die rechte Maustaste, und wählen Sie **NVIDIA Control Panel** aus dem Menü aus. Klicken Sie auf **Configure SLI, Surround, PhysX** im linken Task-Fensterbereich und wählen Sie **Maximize 3D performance** im SLI-Konfigurationsmenü aus, und klicken Sie dann auf **Anwenden (Apply)**.



## M2\_1~2: M.2 Steckplätze (Key M)



### ! Wichtig

- Intel® RST unterstützt nur PCIe M.2 SSD mit UEFI ROM.
- Intel® Optane™ Technik unterstützt alle M.2 Steckplätze.



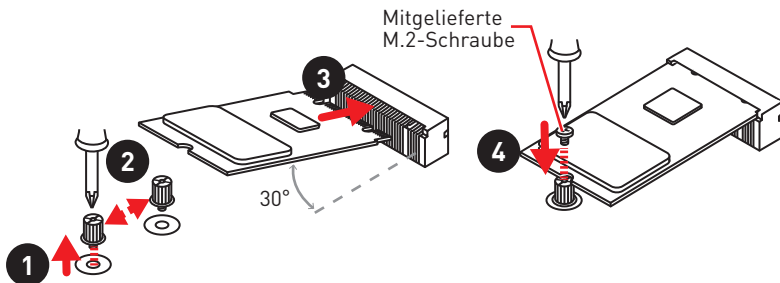
### ▶ Video-Demonstration

Eine anschauliche Darstellung zur Installation eines M.2 Moduls finden Sie im Video.

<http://youtu.be/JCTFABytrYA>

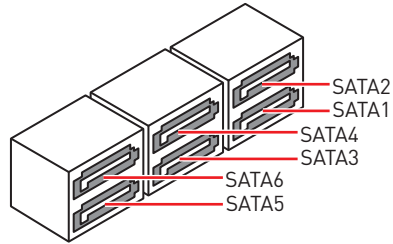
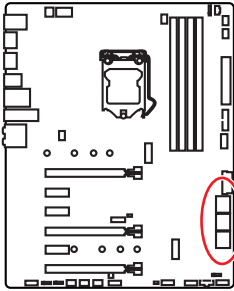
### Installation einer M.2 SSD

1. Lösen Sie die M.2-Schraube aus dem Motherboard.
2. Platzieren Sie die M.2-Schraube an der geeigneten Position für Ihre M.2 SSD.
3. Stecken Sie eine M.2-SSD im 30-Grad-Winkel in den M.2-Steckplatz.
4. Schrauben Sie die M.2-SSD mit der mitgelieferten M.2-Schraube fest.



## SATA1~6: SATA 6 Gb/s Anschlüsse

Dieser Anschluss basiert auf der Hochgeschwindigkeitsschnittstelle SATA 6 Gb/s. Pro Anschluss kann ein SATA Gerät angeschlossen werden.



### Wichtig

- Knicken Sie das SATA-Kabel nicht in einem 90° Winkel. Datenverlust könnte die Folge sein.
- SATA-Kabel haben identische Stecker an beiden Enden. Es wird empfohlen den flachen Stecker auf dem Motherboard einstecken.

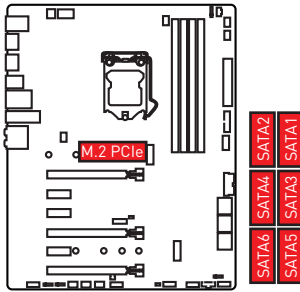
## Tabelle der M.2- & SATA-Gerätekombination

Steckplatz	Verfügbare SATA Anschlüsse					
	PCIe	SATA	PCIe	SATA	PCIe	SATA
M2_1	PCIe	SATA	PCIe	SATA	PCIe	SATA
M2_2	PCIe	PCIe	SATA	SATA	—	—
SATA1	✓	✓	✓	✓	✓	✓
SATA2	✓	—	✓	—	✓	—
SATA3	✓	✓	✓	✓	✓	✓
SATA4	✓	✓	✓	✓	✓	✓
SATA5	—	—	—	—	✓	✓
SATA6	—	—	✓	✓	✓	✓

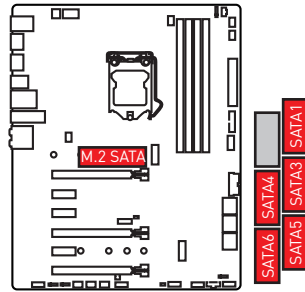
[SATA: M.2 SATA SSD, PCIe: M.2 PCIe SSD, ✓: Verfügbar, —: Nicht verfügbar]

## M.2 Steckplätze mit Beispielen zu den verschiedenen Kombinationsmöglichkeiten

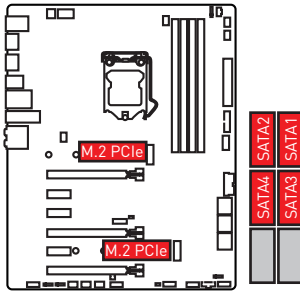
1xM.2 PCIe SSD + 6xSATA HDDs



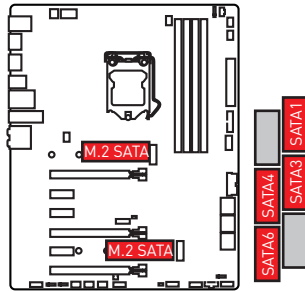
1xM.2 SATA SSD + 5xSATA HDDs



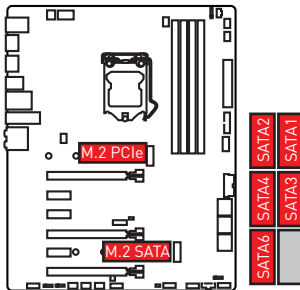
2xM.2 PCIe SSDs + 4xSATA HDDs



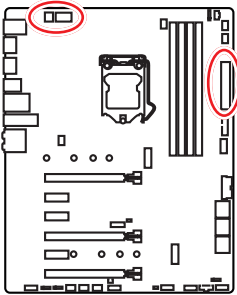
2xM.2 SATA SSDs + 4xSATA HDDs



1xM.2 PCIe SSD + 1xM.2 SATA SSD + 5xSATA HDDs



## CPU\_PWR1~2, ATX\_PWR1: Stromanschlüsse



CPU_PWR1			
1	Ground	5	+12V
2	Ground	6	+12V
3	Ground	7	+12V
4	Ground	8	+12V

CPU_PWR2			
1	Ground	3	+12V
2	Ground	4	+12V

ATX_PWR1			
1	+3.3V	13	+3.3V
2	+3.3V	14	-12V
3	Ground	15	Ground
4	+5V	16	PS-ON#
5	Ground	17	Ground
6	+5V	18	Ground
7	Ground	19	Ground
8	PWR OK	20	Res
9	5VSB	21	+5V
10	+12V	22	+5V
11	+12V	23	+5V
12	+3.3V	24	Ground

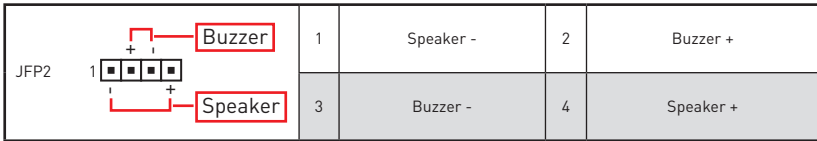
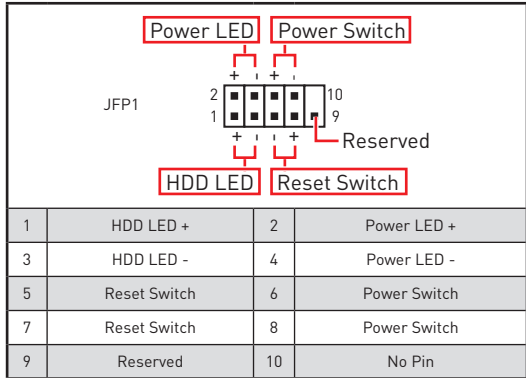
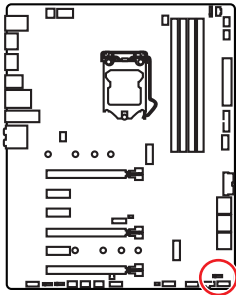
### **Wichtig**

Stellen Sie sicher, dass alle Anschlüsse mit den richtigen Anschlüssen des Netzteils verbunden sind, um einen stabilen Betrieb der Hauptplatine sicherzustellen.



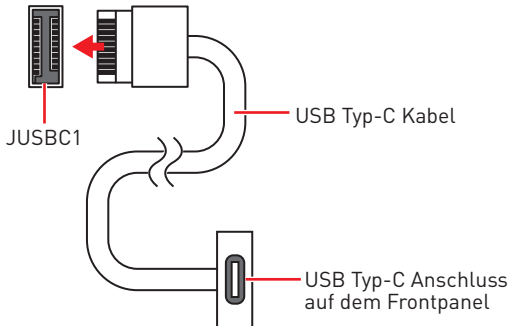
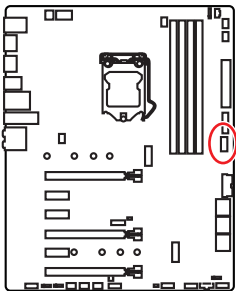
## JFP1, JFP2: Frontpanel-Anschlüsse

Diese Anschlüsse verbinden die Schalter und LEDs des Frontpanels.



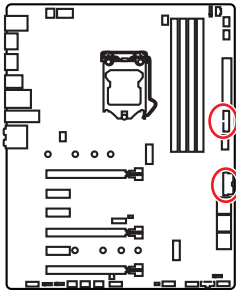
## JUSBC1: USB 3.1 Gen2 Typ-C Anschluss

Mit diesem Anschluss können Sie den USB 3.1 Gen2 Typ-C Anschluss auf dem Frontpanel verbinden. Der Anschluss verfügt über ein besonders sicheres Design. Wenn Sie das Kabel anschließen, müssen Sie es in der entsprechenden Ausrichtung verbinden.



## JUSB1~2: USB 3.1 Gen1 Anschlüsse

Mit diesen Anschlüssen können Sie die USB 3.1 Gen1 Anschlüsse auf dem Frontpanel verbinden.



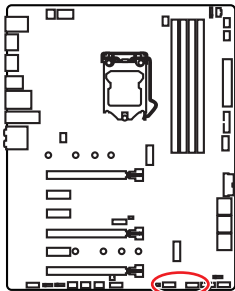
1	Power	11	USB2.0+
2	USB3_RX_DN	12	USB2.0-
3	USB3_RX_DP	13	Ground
4	Ground	14	USB3_TX_C_DP
5	USB3_TX_C_DN	15	USB3_TX_C_DN
6	USB3_TX_C_DP	16	Ground
7	Ground	17	USB3_RX_DP
8	USB2.0-	18	USB3_RX_DN
9	USB2.0+	19	Power
10	NC	20	No Pin



### Wichtig

Bitte beachten Sie, dass Sie die mit „Stromführende Leitung“ und „Erdung“ bezeichneten Pins korrekt verbinden müssen, ansonsten kann es zu Schäden kommen.

## JUSB3~4: USB 2.0 Anschlüsse



1	VCC	2	VCC
3	USB0-	4	USB1-
5	USB0+	6	USB1+
7	Ground	8	Ground
9	No Pin	10	NC



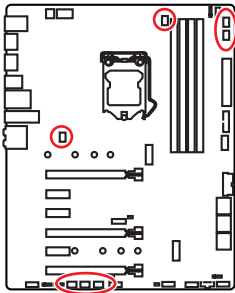
### Wichtig

• Bitte beachten Sie, dass Sie die mit VCC (Stromführende Leitung) und Ground (Erdung) bezeichneten Pins korrekt verbinden müssen, ansonsten kann es zu Schäden kommen.

• Um ein iPad, iPhone und einen iPod über USB-Anschlüsse aufzuladen, installieren Sie bitte die MSI® DRAGON CENTER Software.

## CPU\_FAN1, PUMP\_FAN1, SYS\_FAN1~5: Stromanschlüsse für Lüfter

Diese Anschlüsse können im PWM (Pulse Width Modulation) Modus oder Spannungsmodus betrieben werden. Im PWM-Modus bieten die Lüfteranschlüsse konstante 12 V Ausgang und regeln die Lüftergeschwindigkeit per Drehzahlsteuersignal. Im DC-Modus bestimmen die Lüfteranschlüsse die Lüftergeschwindigkeit durch Ändern der Spannung. Wenn Sie ein 3-Pin (Non-PWM) Lüfter an einen PWM-Modus Lüfteranschluss anschließen, läuft der Lüfter mit höchster Drehzahl und kann unangenehm laut werden. Folgen Sie den folgenden Anweisungen, um den PWM- oder DC-Modus auszuwählen.



### Lüfteranschlüsse des Standard-PWM-Modus



CPU\_FAN1/ PUMP\_FAN1

### Lüfteranschlüsse des Standard-DC-Modus



SYS\_FAN1~2

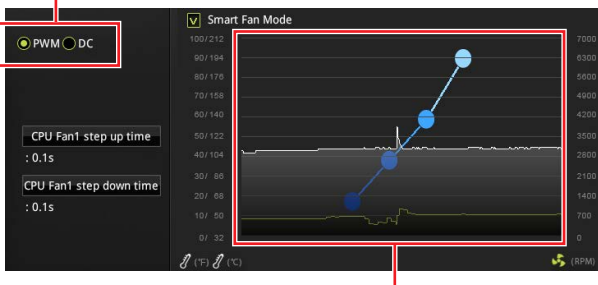


SYS\_FAN3~5

## Umschalten des Lüfter-Modus und Anpassung der Lüfterdrehzahl

Sie können unter **BIOS > HARDWARE MONITOR** zwischen dem PWM- und DC-Modus umschalten und die Lüfterdrehzahl ändern.

Wählen Sie den **PWM-** oder **DC-**Modus aus



Die Gradientenpunkte des Lüfterverlaufs erlauben die Anpassung der Lüfterdrehzahl in Abhängigkeit von der CPU-Temperatur.



**Überprüfen Sie die ordnungsgemäße Funktion der Lüfter nach dem Umschalten des PWM-/ DC-Modus.**

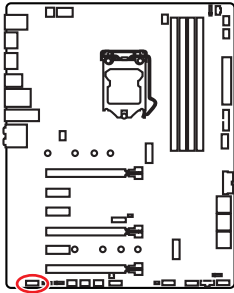
## Pin-Belegung der Lüfteranschlüsse

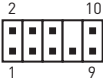
Pin-Belegung des PWM-Modus			
1	Ground	2	+12V
3	Sense	4	Speed Control Signal

Pin-Belegung des DC-Modus			
1	Ground	2	Voltage Control
3	Sense	4	NC

## JAUD1: Audioanschluss des Frontpanels

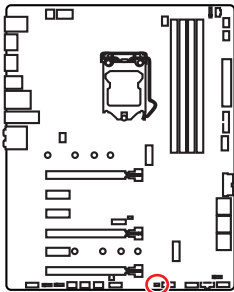
Dieser Anschluss ermöglicht den Anschluss von Audiobuchsen eines Frontpanels.



			
1	MIC L	2	Ground
3	MIC R	4	NC
5	Head Phone R	6	MIC Detection
7	SENSE_SEND	8	No Pin
9	Head Phone L	10	Head Phone Detection

## JC11: Gehäusekontaktanschluss

Dieser Anschluss wird mit einem Kontaktschalter verbunden.



Normal  
(Standardwert)



Löse den  
Gehäuseeingriff aus

### Gehäusekontakt-Detektor verwenden

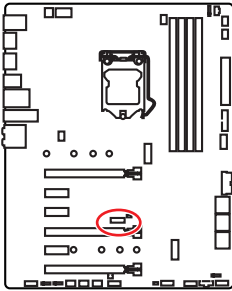
1. Schließen Sie den **JC11**-Anschluss am Gehäusekontakt-Schalter/ Sensor am Gehäuse an.
2. Schließen Sie die Gehäuseabdeckung.
3. Gehen Sie zu **BIOS > SETTINGS > Security > Chassis Intrusion Configuration**.
4. Stellen Sie **Chassis Intrusion** auf **Enabled**.
5. Drücken Sie **F10** zum Speichern und Beenden und drücken Sie dann die **Enter**-Taste, um **Ja** auszuwählen.
6. Bei eingeschaltetem Computer wird eine Warnmeldung auf dem Bildschirm angezeigt, wenn die Gehäuseabdeckung wieder geöffnet wird.

### Gehäusekontakt-Warnung zurücksetzen

1. Gehen Sie zu **BIOS > SETTINGS > Security > Chassis Intrusion Configuration**.
2. Stellen Sie **Chassis Intrusion** auf **Reset**.
3. Drücken Sie **F10** zum Speichern und Beenden und drücken Sie dann die **Enter**-Taste, um **Ja** auszuwählen.

## JTPM1: TPM Anschluss

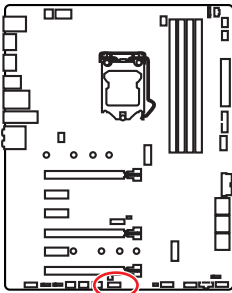
Dieser Anschluss wird für das TPM Modul (Trusted Platform Module) verwendet. Weitere Informationen über den Einsatz des optionalen TPM Modules entnehmen Sie bitte dem TPM Plattform Handbuch.



1	LPC Clock	2	3V Standby power
3	LPC Reset	4	3.3V Power
5	LPC address & data pin0	6	Serial IRQ
7	LPC address & data pin1	8	5V Power
9	LPC address & data pin2	10	No Pin
11	LPC address & data pin3	12	Ground
13	LPC Frame	14	Ground

## JCOM1: Serieller Anschluss

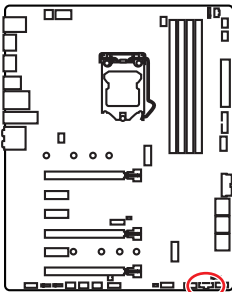
Mit diesem Anschluss können Sie das optionale serielle Schnittstelle mit dem Einbausatz verbinden.



1	DCD	2	SIN
3	SOUT	4	DTR
5	Ground	6	DSR
7	RTS	8	CTS
9	RI	10	No Pin

## JTBT1: Anschluss für Thunderbolt-Erweiterungskarte

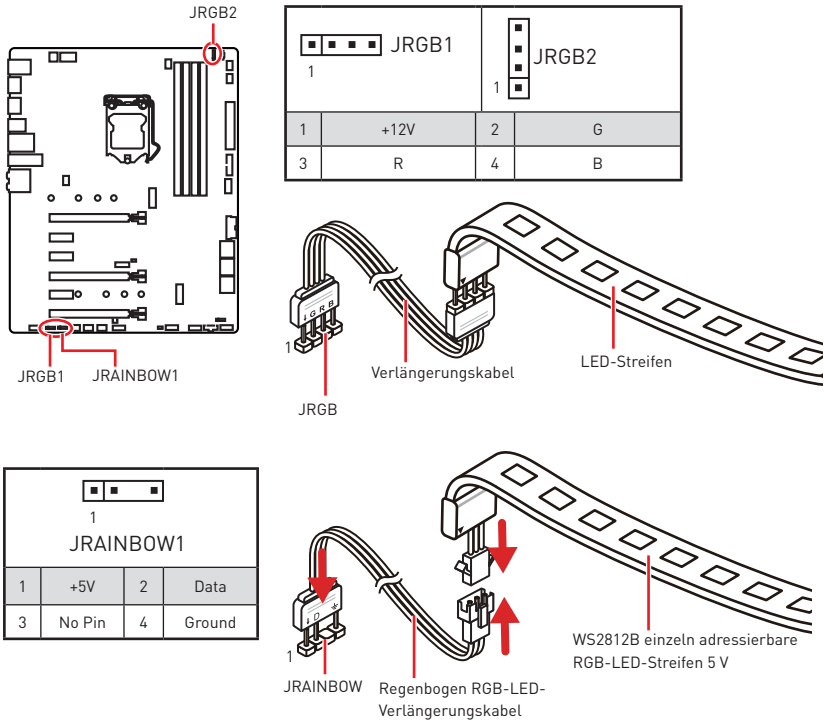
Mit diesem Anschluss können Sie eine Ein-/Ausgang der Thunderbolt-Erweiterungskarte anschließen.



1	FORCE_PWR	2	SCI_EVENT
3	SLP_S3#	4	SLP_S5#
5	GND		

## JRGB1~2, JRAINBOW1: RGB LED Anschlüsse

Mit dem JRGB Anschluss können Sie den 5050 RGB-LED-Streifen (12 V) anschließen. JRAINBOW1 ermöglicht den Anschluss von WS2812B einzeln adressierbaren RGB-LED-Streifen (5 V).



### ⚠️ ACHTUNG

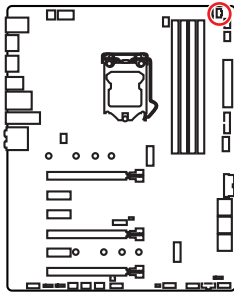
Schließen Sie nur passende LED-Streifen an. Der JRGB- und der JRAINBOW1-Anschluss verfügen über unterschiedliche Spannungen. Der Anschluss eines 5 V LED-Streifens an den JRGB1/JRGB2-Anschluss führt zu einer Beschädigung des LED-Streifens.

### ⚠️ Wichtig

- Der JRGB Anschluss unterstützt 5050 RGB LED-Streifen (12V/G/R/B) mit der maximalen Leistung von 3 A (12 V).
- Der JRAINBOW Anschluss unterstützt bis zu 72 LEDs WS2812B einzeln adressierbare RGB-LED-Streifen (5 V/ Daten/ Erdung) mit der maximalen Leistung von 3 A (5 V).
- Schalten Sie die Stromversorgung aus und ziehen Sie das Netzkabel ab, bevor Sie die RGB-LED-Streifen ein- und ausbauen.
- Bitte verwenden Sie die MSI-Software zur Steuerung des LED-Leuchtbereichs.

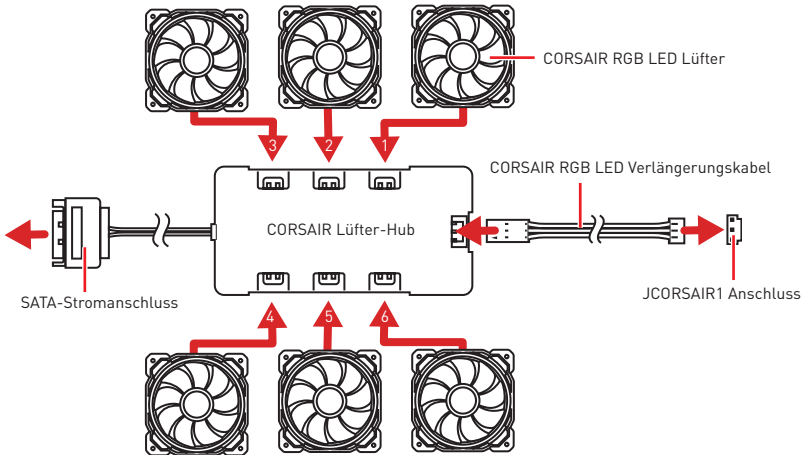
## JCORSAIR1: CORSAIR Anschluss

Mit dem JCORSAIR1 Anschluss können Sie CORSAIR einzeln adressierbare RGB-LED-Strips (5 V) oder CORSAIR RGB LED Lüfter mit dem CORSAIR-Lüfter-Hub verbinden. Nach ordnungsgemäßigem Anschluss können Sie die MSI-Software zur Steuerung der CORSAIR RGB LED-Streifen und Lüfter verwenden.

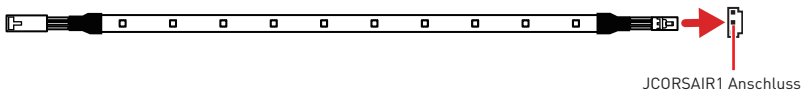


1		JCORSAIR1	
1	+5V	2	Data
3	Ground		

### CORSAIR RGB LED Lüfteranschluss



### CORSAIR Lighting Node PRO RGB LED Streifen

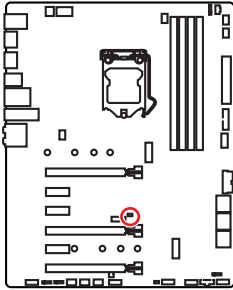


### ! Wichtig

- Bitte verbinden Sie die Lüfter mit dem CORSAIR Lüfter-Hub in der Reihenfolge 1 > 2 > 3 > 4 > 5 > 6. Falls Sie den Lüfter in einer falschen Reihenfolge verbinden, wird die Kommunikation gestört und die RGB-LEDs funktionieren nicht.
- Die Anzahl der RGB-LED-Lüfter oder der RGB LED Lighting Node PRO Streifen kann je nach Modell unterschiedlich sein. Um mehr Informationen zu erfahren, lesen Sie bitte die Spezifikation des Motherboards.
- CORSAIR RGB LED Lüfter und CORSAIR Lighting Node PRO Streifen können nicht gleichzeitig genutzt werden.

## JBAT1: Clear CMOS Steckbrücke (Reset BIOS)

Der Onboard CMOS Speicher (RAM) wird durch eine externe Spannungsversorgung durch eine Batterie auf dem Motherboard versorgt, um die Daten der Systemkonfiguration zu speichern. Wenn Sie die Systemkonfiguration löschen wollen, müssen Sie die Steckbrücke für kurze Zeit umsetzen.



Daten  
beibehalten  
(Standardwert)



CMOS-Daten  
löschen/ Reset  
des BIOS

### Rücksetzen des BIOS auf Standardwerte

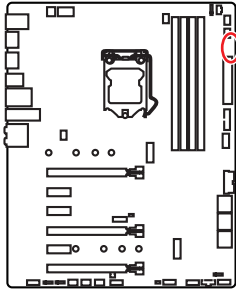
1. Schalten Sie den Computer ab und ziehen Sie das Netzkabel ab.
2. Verwenden Sie eine Steckbrücke, um **JBAT1** für 5-10 Sekunden kurzzuschließen.
3. Entfernen Sie die Steckbrücke von **JBAT1**.
4. Stecken Sie das Kabel Ihres Computers in die Steckdose hinein und schalten Sie den Computer ein.



# Onboard LEDs

## EZ Debug LED

Diese LEDs zeigen den Debug-Status des Motherboards an.



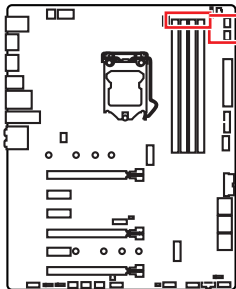
- CPU** - CPU wird nicht erkannt oder ist fehlerhaft.
- DRAM** - DRAM wird nicht erkannt oder ist fehlerhaft.
- VGA** - GPU wird nicht erkannt oder ist fehlerhaft.
- BOOT** - Boot-Gerät wird nicht erkannt oder ist fehlerhaft.

## DIMM LEDs

Diese LEDs zeigen an, dass die Speichermodule installiert sind.

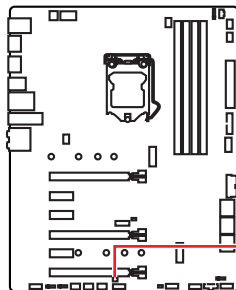
## XMP LED

Diese LED zeigt an, der XMP (Extreme Memory Profile) Modus aktiviert ist.



## JPWRLED1: LED Stromzufuhr

Dieser Anschluss ermöglicht es dem Fachhändler die integrierten LED-Lichteffekte zu zeigen.



# Installation von OS, Treibern und Utilities

Laden Sie die neuesten Treiber und Dienstprogramme von [www.msi.com](http://www.msi.com) herunter und aktualisieren Sie sie.

## Installation von Windows® 10

1. Schalten Sie den Computer ein.
2. Legen Sie die Windows® 10 Disk oder das USB-Flashlaufwerk in das optische Laufwerk.
3. Drücken Sie die Taste **Restart** auf dem Computergehäuse.
4. Drücken Sie die **F11**-Taste während des POST-Vorgangs (Power-On Self Test), um das Bootmenu zu öffnen.
5. Wählen Sie das optische Laufwerk aus dem Bootmenu.
6. Wenn eine entsprechende Meldung **Press any key to boot from CD or DVD...** angezeigt wird, drücken Sie eine beliebige Taste.
7. Folgen Sie den Anweisungen auf dem Bildschirm, um das Dienstprogramm „Windows® 10“ zu installieren.

## Installation von Treibern

1. Starten Sie Ihren Computer mit Windows® 10.
2. Legen Sie die MSI® Treiber Disk in das optische Laufwerk.
3. Klicken Sie auf die Pop-up-Meldung **Wählen Sie eine Aktion für Wechseldatenträger aus**, und wählen Sie **DVDSetup.exe starten** aus, um den Installer zu öffnen. Wenn Sie die AutoPlay-Funktionen in der Windows-Systemsteuerung ausschalten, können Sie das Programm **DVDSetup.exe** im Hauptverzeichnis der MSI Treiber CD auch manuell ausführen.
4. Der Installer wird findet eine Liste aller benötigten Treiber auf der **Treiber/Software**-Registerkarte.
5. Klicken Sie auf **Install** in der rechten unteren Ecke des Fensters.
6. Die Treiber-Installation läuft. Wenn die Installation abgeschlossen ist, werden Sie dazu aufgefordert, den Computer neu zu starten.
7. Klicken Sie zum Beenden auf **OK**.
8. Starten Sie Ihren Computer neu.

## Installation von Utilities

Bevor Sie Anwendungen installieren, müssen Sie die Treiber-Installation vollständig beendet haben.

1. Öffnen Sie den Installer wie beschrieben.
2. Klicken Sie auf **Utilities**.
3. Wählen Sie die Dienstprogramme, die installiert werden soll.
4. Klicken Sie die Taste **Install** in der rechten unteren Ecke des Fensters.
5. Die Utilities-Installation ist im Gange. Wenn die Installation abgeschlossen ist, werden Sie dazu aufgefordert, den Computer neu zu starten.
6. Klicken Sie zum Beenden auf **OK**.
7. Starten Sie Ihren Computer neu.

# BIOS Setup

Die Standardeinstellungen bieten die optimale Leistung für die Systemstabilität unter Normalbedingungen. Sie sollten **immer die Standardeinstellungen behalten**, um mögliche Schäden des Systems oder Boot-Fehler zu vermeiden, außer Sie besitzen ausreichende BIOS Kenntnisse.



## Wichtig

- *BIOS Funktionen werden für eine bessere Systemleistung kontinuierlich aktualisiert. Deswegen können die Beschreibungen leicht von der letzten Fassung des BIOS abweichen und sollten demnach nur als Anhaltspunkte dienen. Für eine Beschreibung der BIOS Funktionen rufen Sie die **HELP** Informationstafel aus.*
- *Die Bilder in diesem Kapitel stellen lediglich Referenzen dar und können von dem von Ihnen erworbenen Produkt abweichen.*

## Öffnen des BIOS Setups

Befolgen Sie bitte die nachfolgende Schritte, um das BIOS Setup aufzurufen.

- Während des BOOT-Vorgangs drücken Sie die Taste **ENTF**, wenn die Meldung **Press DEL key to enter Setup Menu, F11 to enter Boot Menu** erscheint.
- Verwenden Sie die **MSI Dragon Center** Anwendung. Klicken Sie die **G02BIOS**-Taste und drücken Sie **OK**. Das System startet neu und geht direkt ins BIOS.

### Funktionstasten

- F1:** Allgemeine Hilfe
- F2:** Hinzufügen/Entfernen eines Favoritenpunkts
- F3:** Öffnen des Favoriten Menüs
- F4:** Öffnen des Menüs CPU-Spezifikationen
- F5:** Öffnen des Memory-Z Menüs
- F6:** Laden der ursprünglichen Setup-Standardwerte
- F7:** Wechselt zwischen dem Erweiterten-Modus und EZ-Modus
- F8:** OC-Profil wird vom USB-Stick geladen
- F9:** OC-Profil wird auf einem USB-Stick gespeichert
- F10:** Speichern oder Zurücksetzen der Änderungen\*
- F12:** Macht einen Screenshot und speichert auf einen FAT/FAT32-USB-Laufwerk.
- Strg+F:** Öffnet die Suchseite

\* Beim Drücken der F10 Taste wird das Fenster zum Speichern der Einstellungen angezeigt. Wählen Sie **Yes**, um die Wahl zu bestätigen, oder **No**, um die derzeitige Einstellung beizubehalten.

## Reset des BIOS

Sie können die Werkseinstellung wieder herstellen, um bestimmte Probleme zu lösen. Es gibt verschiedene Möglichkeiten, um das BIOS zurückzusetzen:

- Öffnen Sie das BIOS und drücken Sie **F6**, um optimierten Einstellungen zu laden.
- Schließen Sie die **Clear CMOS Steckbrücke** an das Motherboard an.



**Wichtig**

Bitte lesen Sie für Informationen zum BIOS-Reset im Bereich „**Clear CMOS Steckbrücke**“ nach.

## Aktualisierung des BIOS

### Aktualisierung des BIOS mit dem M-FLASH-Programm

Vorbereitung:

Laden Sie bitte die neueste BIOS Version, die dem Motherboard-Modell entspricht, von der offiziellen MSI Website herunter und speichern Sie die BIOS-Datei auf USB-Flash-Laufwerk.

BIOS-Aktualisierungsschritte:

1. Schließen das USB-Flashlaufwerk mit der BIOS-Datei an den Computer.
2. Bitte folgen Sie den nachfolgenden Schritten, um in den Blitz-Modus zu schalten.
  - Beim Neustart drücken Sie während des POST-Vorgangs die Taste **Ctrl + F5** und klicken Sie auf **Yes (Ja)**, um das System neu zu starten.
  - Beim Neustart drücken Sie während des POST-Vorgangs die Taste **Del (Entf)** während des POST-Vorgangs die Taste. Klicken Sie die Taste **M-FLASH** und klicken Sie auf **Yes (Ja)**, um das System neu zu starten.
3. Wählen Sie die BIOS-Datei zur Durchführung des BIOS-Aktualisierungsprozesses aus.
4. Nachdem das Flashen des BIOS vollständig ist, startet das System automatisch neu.

### Aktualisierung des BIOS mit MSI DRAGON CENTER

Vorbereitung:

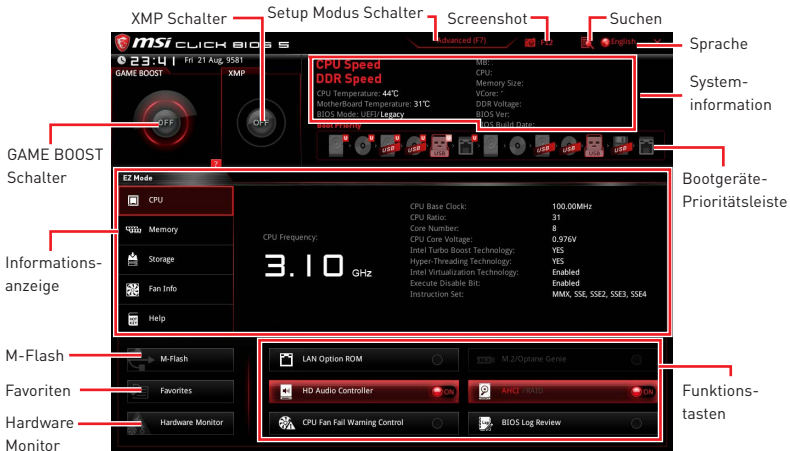
Stellen Sie sicher, dass zuvor die LAN-Treiber installiert wurden und eine Internetverbindung eingerichtet ist.

BIOS-Aktualisierungsschritte:

1. Installieren und starten Sie „MSI DRAGON CENTER“.
2. Wählen Sie **BIOS Update** aus.
3. Klicken Sie auf die **Scan** Taste.
4. Klicken Sie auf dieses **Download**-Icon, um die neueste BIOS-Datei zu laden und zu installieren.
5. Klicken Sie auf **Next (Weiter)** und wählen Sie **In Windows Mode** aus. Und klicken dann auf **Next (Weiter)** und **Start (Starten)**, um das BIOS-Update zu starten.
6. Nachdem das Flashen des BIOS vollständig ist, startet das System automatisch neu.

## EZ Modus

Im EZ-Modus können Sie die Grundinformationen des Systems einsehen und grundlegende Einstellungen konfigurieren. Um sich die erweiterten BIOS-Einstellungen anzeigen zu lassen, aktivieren Sie bitte den Erweiterten Modus durch Drücken des **Setup Modus Schalter** oder der Funktionstaste **F7**.



- **GAME BOOST Schalter** - Klicken Sie den Schalter, um **GAME BOOST** für OC zu wechseln.
- **XMP Schalter** - Klicken Sie auf den inneren Kreis, um X.M.P. (Extreme Memory Profile) zu aktivieren/deaktivieren. Drehen Sie den äußeren Kreis, um ein X.M.P. Profil zu wählen. Dieser Schalter steht nur zur Verfügung, wenn die installierten Speichermodule die X.M.P. Technik unterstützen.
- **Setup Modus Schalter** - Mit dieser Registerkarte oder der **F7**-Taste können Sie zwischen dem Erweiterten-Modus und EZ-Modus wechseln.
- **Screenshot** - Wählen Sie diese Registerkarte oder betätigen Sie die **F12**-Taste, um einen Screenshot zu machen und auf einen FAT/FAT32-USB-Laufwerk zu speichern.
- **Suchen** - Klicken Sie auf diese Registerkarte oder die **Strg+F** Taste um die Suchseite anzuzeigen. Mit der Funktion können Sie durch Eingabe eines Suchbegriffs nach BIOS-Einträgen suchen. Bewegen Sie den Mauszeiger über einen freien Bereich und klicken Sie mit der rechten Maustaste, um die Suchseite zu schließen.

### **Wichtig**

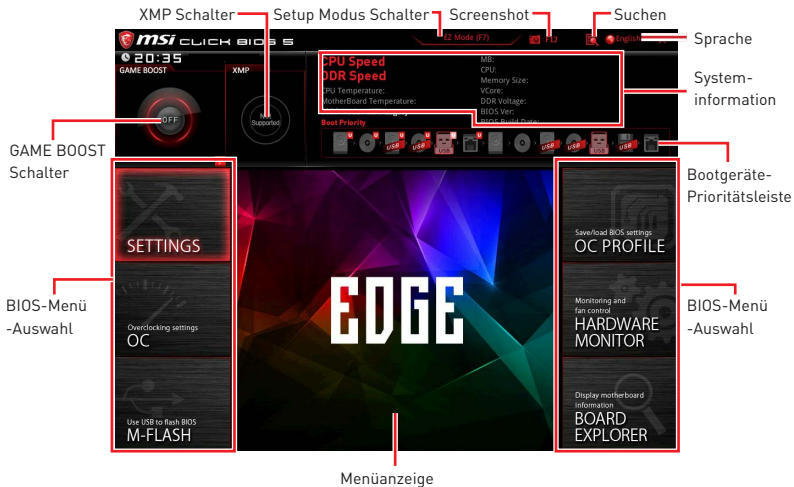
Auf der Suchseite stehen nur die **F6**-, **F10**- und **F12**-Funktionstasten zur Verfügung.

- **Sprache** - Hier können Sie die Sprache der BIOS-Einstellungen auswählen.
- **Systeminformationen** - Diese zeigt CPU/ DDR-Frequenz, CPU/ MB-Temperatur, MB/ CPU-Typ, Speicherkapazität, CPU/ DDR-Spannung, BIOS-Version und Erstellungsdatum.
- **Boot-Geräte Prioritätsleiste** - Sie können die Gerätesymbole verschieben, um die Startreihenfolge zu ändern. Die Bootreihenfolge sind mit "hoch" (links) bis "niedrig" (rechts) bezeichnet.

- **Informationsanzeige** - Klicken Sie auf die Schaltfläche **CPU, Memory, Storage, Fan Info** und **Help** auf der linken Seite, um die jeweiligen Informationen anzuzeigen.
- **Funktionstasten** - Aktivieren oder deaktivieren Sie **LAN Option ROM, M.2/ Optane Genie, HD Audio Controller, AHCI/ RAID, CPU Fan Fail Warning Control** und **BIOS Log Review** durch Anklicken der zugehörigen Schaltfläche.
- **M-Flash** - Ein Klick auf diese Schaltfläche öffnet **M-Flash** mit dem Sie das BIOS mit einem USB-Flash-Laufwerk aktualisieren.
- **Hardware Monitor** - Ein Klick auf diese Schaltfläche öffnet das Menü des **Hardware Monitor** mit dem Sie die Lüfterdrehzahl in Prozent manuell steuern.
- **Favoriten** - Drücken Sie die **F3**-Taste, um das **Favoriten**-Menü aufzurufen. Hier können Sie Ihre persönliches BIOS-Menü erstellen, in dem Sie die häufig verwendeten oder favorisierten BIOS-Einstellungsoptionen auswählen können.
  - **Default HomePage** - Über diese Option können Sie ein BIOS-Menü (zum Beispiel: Einstellungen, Übertaktung, usw.) als BIOS Homepage auswählen.
  - **Favoriten 1~5** - Hier können Sie die häufig erwendeten oder favorisierten BIOS-Einstellungsoptionen auf einer Seite hinzufügen.
  - **Um ein BIOS-Punkte zu einer Favoritenseite hinzufügen (Lieblingseinstellung 1~5)**
    1. Sie können die Maus nicht nur über einen Eintrag im BIOS-Menü sondern auch auf der Suchseite bewegen.
    2. Klicken Sie mit der rechten Maustaste oder drücken Sie die Taste **F2**.
    3. Wählen Sie die gewünschte Seite aus und klicken Sie auf **OK**.
  - **Um ein BIOS-Punkte von Favoritenseite zu löschen**
    1. Bewegen Sie die Maus über einen BIOS-Eintrag auf einer Favoritenseite (Favoriten 1~5)
    2. Klicken Sie mit der rechten Maustaste oder drücken Sie die Taste **F2**.
    3. Wählen Sie **Delete** aus und klicken Sie auf **OK**.

## Erweiterter Modus

Drücken Sie den **Setup Modus Schalter** oder die Funktionstaste **F7**, um zwischen dem EZ-Modus und Erweiterten-Modus im BIOS-Setup zu wechseln.



- **GAME BOOST Schalter/ XMP Schalter/ Setup Modus Schalter/ Screenshot/ Sprache/ Suchen/ Systeminformation/ Boot-Geräte Prioritätsleiste** - Finden Sie die Informationen in den Beschreibungen der EZ Modus-Abschnitt.
- **BIOS-Menü-Auswahl** - Die folgenden Optionen stehen zur Verfügung.
  - **SETTINGS** - Mit diesem Menü können Sie die Parameter für Chipsatz, Boot-Geräte angeben.
  - **OC** - Hier können Sie die Frequenz und Spannung anpassen. Die Erhöhung der Frequenz kann eine bessere Leistung erreichen.
  - **M-FLASH** - M-Flash erlaubt es, das BIOS mit einem USB-Flash-Laufwerk zu aktualisieren.
  - **OC PROFILE** - In diesem Menü werden die verschiedenen Overclocking-Profile gespeichert.
  - **HARDWARE MONITOR** - Hier können Sie die Geschwindigkeiten der Lüfter anpassen und die Spannungen des Systems überwachen.
  - **BOARD EXPLORER** - Zeigt Ihnen Informationen über Geräte an, die an das Mainboard angeschlossen sind.
- **Menüanzeige** - Dieser Bereich ermöglicht die Konfiguration von BIOS Einstellungen.

## OC Menü

In diesem Menü können Benutzer das BIOS anpassen und das Mainboard übertakten. Bitte führen Sie nur Änderungen durch, wenn Sie sich über das Ergebnis im Klaren sind. Sie sollten Erfahrung beim Übertakten haben, da Sie sonst das Motherboard oder Komponenten des Systems beschädigen können.



### **Wichtig**

- Die Übertaktung ist nur für fortgeschrittene Benutzer zu empfehlen.
- Eine erfolgreiche Übertaktung ist nicht gewährleistet. Die Anwendung von Übertaktungsmaßnahmen kann zu Verlust der Garantie oder zur Beschädigung der Hardware führen.
- Falls Sie sich mit der Übertaktung nicht auskennen, empfehlen wir für einfaches Übertakten die **GAME BOOST** Funktion.

#### ► **OC Explore Mode [Normal]**

Aktivieren oder deaktivieren Sie die Funktion, um die normale oder Expertenversion des OC-Einstellungen anzuzeigen.

[Normal] Bietet normale Übertaktungseinstellungen im BIOS-Setup.

[Expert] Bietet die erweiterten Übertaktungseinstellungen für den erfahrenen Benutzer, welche die Einstellungen im BIOS-Setup konfigurieren wollen.

Hinweis: Wir verwenden \* als Symbol für die Übertaktungseinstellungen des Erweiterten Modus.

#### ► **CPU Ratio [Auto]**

Legen Sie den CPU-Multiplikator fest, um die CPU-Taktfrequenzen zu bestimmen. Diese Option erscheint nur, wenn **CPU Ratio Apply Mode** auf **All Core** eingestellt.

#### ► **Adjusted CPU Frequency**

Zeigt die eingestellte Frequenz der CPU an. Es handelt sich um eine Anzeige – Änderungen sind nicht möglich.

#### ► **CPU Ratio Offset When Running AVX [Auto]**

Legt einen Offset-Wert fest, um die Taktrate des CPU-Kerns zu reduzieren. Es könnte für die Wärmeableitung beim Betrieb des AVX-Instruction-Set hilfreich sein. Wenn die Einstellung auf [Auto] gesetzt ist, wird das BIOS diese Einstellungen automatisch konfigurieren. Diese Option wird angezeigt, wenn die CPU diese Funktion unterstützt.



### ► Ring Ratio [Auto]

Setzen Sie den Ring Ratio. Der erlaubte Wertebereich ist abhängig von der installierten CPU.

### ► Adjusted Ring Frequency

Zeigt die angepasste Ring Frequenz. Nur Anzeige – keine Änderung möglich.

### ► GT Ratio [Auto]

Setzen Sie den Multiplikator der integrierten Grafik. Der erlaubte Wertebereich ist abhängig von der installierten CPU.

### ► Adjusted GT Frequency

Zeigt die angepasste Frequenz der integrierten Grafik. Nur Anzeige – keine Änderung möglich.

### ► Misc Setting\*

Drücken Sie die Enter, + oder - Taste, um die folgenden 3 Punkte des CPU-Funktionen zu öffnen oder zu schließen.

#### ► EIST [Enabled]\*

Aktivieren oder deaktivieren Sie die Enhanced Intel® SpeedStep Technologie.

[Enabled] Aktiviert EIST, um die CPU-Spannung und Taktfrequenz dynamisch anzupassen. Diese Funktion kann den durchschnittlichen Stromverbrauch und die durchschnittliche Hitzeentwicklung verringern.

[Disabled] Deaktiviert EIST.

#### ► Intel Turbo Boost [Enabled]\*

Aktivieren oder deaktivieren Sie Intel® Turbo Boost. Diese Option wird angezeigt, wenn die installierte CPU diese Einstellungen unterstützt.

[Enabled] Aktivieren Sie diese Funktion, um die CPU-Leistung automatisch zu erhöhen, wenn das System mehr Leistung benötigt.

[Disabled] Deaktivieren Sie diese Funktion.

#### ► Enhanced Turbo [Auto]\*

Aktivieren oder deaktivieren Sie die Enhanced Turbo Funktion für alle CPU-Kerne, um die CPU-Leistung zu steigern. Diese Option wird angezeigt, wenn die installierte CPU diese Einstellungen unterstützt.

[Auto] Diese Einstellungen werden vom BIOS automatisch konfiguriert.

[Enabled] Alle CPU-Kerne werden mit maximalem Turbo konfiguriert.

[Disabled] Deaktivieren Sie diese Funktion.

### ► CPU Base Clock (MHz) [Default]

Hier können Sie den CPU Grundtakt anpassen. Sie können die CPU übertakten, indem Sie diesen Wert verändern. Bitte beachten Sie, dass die Übertaktung (und das Ergebnis) und die Stabilität nicht gewährleistet sind. Diese Option wird angezeigt, wenn der installierte Prozessor diese Funktion unterstützt.

### ► Extreme Memory Profile (X.M.P.) [Disabled]

Extreme Memory Profile (XMP) basieren auf Zertifizierungen für Speichermodule aus dem PC-Bereich. Aktivieren Sie die Funktion XMP oder wählen Sie ein Profil des Speichermoduls zum Übertakten aus. Diese Option steht zur Verfügung, wenn die installierten Speichermodule die XMP Technik unterstützen.

### ► DRAM Frequency [Auto]

Setzen Sie die DRAM Frequenz. Bitte beachten Sie, dass ein zuverlässiges Übertaktungsverhalten nicht garantiert werden kann.

### ► Adjusted DRAM Frequency

Zeigt die Speicherfrequenz an. Nur Anzeige – keine Änderung möglich.

### ► Memory Try It ! [Disabled]

Die Option „Memory Try It!“ dient der Verbesserung der Speicherkompatibilität oder auch der Speicherleistung durch die Auswahl der optimierten Speicher-Voreinstellungen.

### ► Advanced DRAM Configuration

Drücken Sie die **Eingabetaste <Enter>**, um das Untermenü aufzurufen. Der Anwender kann die Speicher-Timing für jeden Kanal des Speichers einstellen. Das System könnte nach dem Ändern der Speicher-Timings instabil werden oder nicht mehr booten. Wenn Instabilität auftritt, löschen Sie bitte die CMOS-Daten und stellen Sie die Standardeinstellungen wieder her. (Lesen Sie bitte den Abschnitt „Steckbrücke zur CMOS-Löschung/ Clear CMOS Taste“, um die CMOS-Daten zu löschen, und die Standardeinstellungen auf das BIOS zu laden.)

### ► Memory Fast Boot [Auto] \*

Aktivieren oder deaktivieren Sie die die Initiierung und Prüfung des Speichers für jeden Boot.

- |            |   |
|------------|---|
| [Auto]     | Diese Einstellungen werden vom BIOS automatisch konfiguriert.   |
| [Enabled]  | Der Vorgang der Initiierung und Prüfung des Hauptspeichers wird aus dem Archiv der ersten Initiierung imitiert um den Systemstart zu beschleunigen. |
| [Disabled] | Der Speicher wird bei jedem Boot-Vorgang vollständig neu initiiert und geprüft.   |

### ► DigitALL Power

Drücken Sie die **Eingabetaste <Enter>**, um das Untermenü aufzurufen. Im Untermenü können Sie einige Schutzbedingungen über Spannung/ Strom/ Temperatur für die CPU. einstellen.

### ► CPU Voltages control [Auto]

Erlaubt das Einstellen der CPU-Spannungen. Wenn die Einstellung auf **Auto** gesetzt ist, wird das BIOS die Spannungen automatisch einstellen oder Sie können es manuell einstellen.

### ► DRAM Voltages control [Auto]

Erlaubt das Einstellen der DRAM-Spannungen. Wenn die Einstellung auf **Auto** gesetzt ist, wird das BIOS die Spannungen automatisch einstellen oder Sie können es manuell einstellen.

### ► CPU Memory Changed Detect [Enabled]\*

Aktiviert/Deaktiviert die Systemwarnmeldung beim Booten, wenn die CPU oder der Hauptspeicher ersetzt wurde.

- |            |  |
|------------|--|
| [Enabled]  | Das System zeigt eine Warnmeldung beim Systemstart und lädt die Default-Einstellungen für neue Geräte. |
| [Disabled] | Deaktivierung der Funktion und Beibehaltung der aktuellen BIOS-Einstellungen.                          |

### ► CPU Specifications

Drücken Sie die **Eingabetaste <Enter>**, um das Untermenü aufzurufen. Das Untermenü zeigt die Informationen der installierten CPU an. Zu diesen Informationen gelangen Sie, indem Sie die Taste [F4] drücken. Nur Anzeige.

### ► CPU Technology Support

Drücken Sie die **Eingabetaste <Enter>**, um das Untermenü aufzurufen. Das Untermenü zeigt die wichtigsten Eigenschaften der installierten CPU an.

### ► MEMORY-Z

Drücken Sie die **Eingabetaste <Enter>**, um das Untermenü aufzurufen. Dieses Untermenü zeigt alle Einstellungen und Timings des installierten Speichers. Zu diesen Informationen gelangen Sie auch, indem Sie die Taste [F5] drücken.

### ► DIMM1/A2/B1/B2 Memory SPD

Drücken Sie die **Eingabetaste <Enter>**, um das Untermenü aufzurufen. Das Untermenü zeigt die Informationen des verwendeten Speichers an. Nur Anzeige.

### ► CPU Features

Drücken Sie die **Eingabetaste <Enter>**, um das Untermenü aufzurufen.

### ► Hyper-Threading [Enabled]

Die Intel Hyper-Threading Technologie behandelt die Prozessorkerne innerhalb des Prozessors als multi-logische Prozessoren, die Anweisungen simultan durchführen können. Dadurch tritt eine wesentliche Verbesserung der Systemleistung ein. Diese Option wird angezeigt, wenn die installierte CPU diese Einstellungen unterstützt.

[Enable] Aktiviert die Intel Hyper-Threading Technologie.

[Disabled] Deaktiviert die Option, wenn das System die HT-Funktion nicht unterstützt.

### ► Active Processor Cores Control [All]

Hier können Sie die Zahl der aktiven Prozessorkerne auswählen.

### ► Limit CPUID Maximum [Disabled]

Aktiviert oder deaktiviert den erweiterten CPUID-Wert.

[Enabled] Das BIOS begrenzt den maximalen CPUID Eingabewert, um Bootprobleme mit älteren Betriebssystem zu umgehen, die den Prozessor mit erweitertem CPUID-Wert nicht unterstützen.

[Disabled] Verwenden Sie den maximalen CPUID Eingabewert.

### ► Intel Virtualization Tech [Enabled]

Aktiviert oder deaktiviert die Intel Virtualization Technologie.

[Enabled] Aktiviert die Intel Virtualization-Technologie, die es mehreren Betriebssystemen ermöglicht, in voneinander unabhängigen Partitionen zu arbeiten. Das System kann als mehrere Systeme virtuell einsetzen.

[Disabled] Deaktiviert diese Funktion.

### ► Intel VT-D Tech [Disabled]

Aktiviert oder deaktiviert die Intel VT-D (Intel Virtualization for Directed I/O) Technologie.

#### ► **Hardware Prefetcher [Enabled]**

Aktivieren oder deaktivieren Sie das Hardware Prefetcher (MLC Streamer prefetcher).

[Enabled] Der CPU Hardware Prefetcher kann frühzeitig Daten und Anweisungen aus dem Speicher in den L2-Cache laden um die Cache-Latency Zeiten zu reduzieren.

[Disabled] Deaktiviert den Hardware Prefetcher.

#### ► **Adjacent Cache Line Prefetch [Enabled]**

Aktiviert oder deaktiviert den CPU Hardware Prefetcher (MLC Spatial prefetcher).

[Enabled] Ermöglicht Adjacent Cache Line Prefetch zur Verringerung der Cache Latenzzeit und zur Leistungssteigerung von Applikationen.

[Disabled] Aktiviert nur die angeforderten Cache-Zeilen.

#### ► **CPU AES Instructions [Enabled]**

Aktiviert oder deaktiviert die CPU AES (Advanced Encryption Standard-New Instructions) Unterstützung. Diese Option wird angezeigt, wenn die CPU diese Funktion unterstützt.

#### ► **Intel Adaptive Thermal Monitor [Enabled]**

Aktiviert oder deaktiviert die Intel Adaptive Thermal-Monitor-Funktion, um die CPU vor Überhitzung zu schützen.

[Enabled] Drosselt den CPU Kerntakt, wenn die CPU-Temperatur über die adaptive Temperatur steigt.

[Disabled] Deaktiviert diese Funktion.

#### ► **Intel C-State [Auto]**

Aktiviert oder deaktiviert das Intel C-State. C-State ist eine durch ACPI definierte Prozessor-Power-Management-Technologie.

[Auto] Diese Einstellungen werden vom BIOS automatisch konfiguriert.

[Enabled] Ermöglicht die Erkennung, wann sich das System im Leerlauf befindet und senkt den CPU-Stromverbrauch entsprechend.

[Disabled] Deaktiviert diese Funktion.

#### ► **C1E Support [Disabled]**

Aktiviert oder deaktiviert die C1E-Funktion für Stromersparnis im Leerlauf. Diese Option wird angezeigt, wenn **Intel C-State** aktiviert ist.

[Enabled] Ermöglicht die C1E Funktion, um die CPU-Frequenz und Spannung zur Stromersparnis im Leerlauf zu reduzieren.

[Disabled] Deaktiviert diese Funktion.

#### ► **Package C State limit [Auto]**

Hier können Sie einen CPU C-State-Modus für Stromsparen auswählen, wenn das System im Leerlauf ist. Die Optionen des C-States ist abhängig von der installierten CPU. Diese Option wird angezeigt, wenn **Intel C-State** aktiviert ist.

#### ► **CFG Lock [Enabled]**

Sperren oder Entsperren des MSR 0xE2[15]s, des CFG Lock-Bits.

[Enabled] Sperrt das CFG Lock-Bit.

[Disabled] Entsperrt das CFG Lock-Bit.

► **EIST [Enabled]**

Aktivieren oder deaktivieren Sie die Enhanced Intel® SpeedStep Technologie. Diese Option wird angezeigt, wenn **OC Explore Mode** auf **Normal** eingestellt.

[Enabled] Aktiviert EIST, um die CPU-Spannung und Taktfrequenz dynamisch anzupassen. Es kann zu verringern durchschnittliche Stromverbrauch und die durchschnittliche Wärmeproduktion.

[Disabled] Deaktiviert EIST.

► **Intel Turbo Boost [Enabled]**

Aktivieren oder deaktivieren Sie Intel® Turbo Boost. Diese Option gilt für **Normal Mode** und wird angezeigt, wenn die installierte CPU diese **Turbo Boost** Einstellungen unterstützt.

[Enabled] Aktivieren Sie diese Funktion, um die CPU-Leistung automatisch zu erhöhen, wenn das System mehr Leistung benötigt.

[Disabled] Deaktivieren Sie diese Funktion.

► **Long Duration Power Limit (W) [Auto]**

Hier stellen Sie die TDP Leistungsgrenze für die CPU in Turbo Boost Modus ein.

► **Long Duration Maintained (s) [Auto]**

Hier stellen Sie den Zeitraum (ms) für die TDP Leistungsgrenze (W) ein.

► **Short Duration Power Limit (W) [Auto]**

Hier stellen Sie die TDP Leistungsgrenze für CPU in Turbo Boost Modus ein.

► **CPU Current Limit (A) [Auto]**

Hier legen Sie die maximale Stromgrenze der CPU im Turbo Boost Modus fest. Wenn der Strom über den angegebenen Grenzwert steigt, verringert die CPU automatisch Core-Frequenz.

► **FCLK Frequency [Auto]**

Legt FCLK Frequenz fest. Stellen Sie eine niedrigere FCLK-Frequenz ein, um die Einstellung der höheren Grundtakt-Frequenz zu machen.

► **DMI Link Speed [Auto]**

Legt die DMI-Geschwindigkeit fest.

► **SW Guard Extensions (SGX) [Software Control]**

Aktivieren oder deaktivieren der Intel SGX Funktion.

► **Intel Speed Shift Technology [Auto]**

Aktivieren oder deaktivieren Sie die Intel Speed Shift Technologie. Sie kann die Energieeffizienz optimieren. Diese Option kann nur geändert werden, wenn der Prozessor diese Technologie unterstützt.



# Table des matières

<b>Informations de sécurité</b> .....	<b>3</b>
<b>Spécifications</b> .....	<b>4</b>
Spécifications du connecteur JCORSAIR1 .....	9
<b>Contenu</b> .....	<b>9</b>
<b>Panneau arrière Entrée/ Sortie</b> .....	<b>10</b>
Tableau explicatif de l'état de la LED du port LAN .....	10
Configuration des ports audio .....	10
Realtek Audio Console .....	11
<b>Vue d'ensemble des composants</b> .....	<b>14</b>
Socket processeur .....	15
Slots DIMM .....	16
PCI_E1~5: Slots d'extension PCIe .....	17
M2_1~2 : Slots M.2 (Touche M).....	19
SATA1~6 : Connecteurs SATA 6 Gb/s .....	20
CPU_PWR1~2, ATX_PWR1 : Connecteurs d'alimentation .....	22
JFP1, JFP2 : Connecteurs de panneau avant .....	23
JUSBC1: Connecteur USB 3.1 Gen2 Type-C .....	23
JUSB1~2: Connecteurs USB 3.1 Gen1 .....	24
JUSB3~4: Connecteurs USB 2.0 .....	24
CPU_FAN1,SYS_FAN1~5, PUMP_FAN1 : Connecteurs pour ventilateurs.....	25
JAUD1 : Connecteur audio avant.....	26
JCI1 : Connecteur intrusion châssis .....	26
JTPM1 : Connecteur de module TPM.....	27
JCOM1 : Connecteur de port série .....	27
JTBT1 : Connecteur de carte additionnelle Thunderbolt.....	27
JRGB1~2, JRAINBOW1: Connecteurs LED RGB .....	28
JCORSAIR1 : Connecteur CORSAIR .....	29
JBAT1 : Cavalier Clear CMOS (Réinitialisation BIOS) .....	30
<b>Indicateurs LED embarqués</b> .....	<b>31</b>
EZ Debug LED .....	31
Indicateurs LED des barrettes DIMM .....	31
Indicateur LED du mode XMP.....	31
JPWRLED1: Indicateur LED de l'entrée d'alimentation .....	31
<b>Installer OS, Pilotes &amp; Utilitaires</b> .....	<b>32</b>
Installer Windows® 10 .....	32
Installer les pilotes .....	32

Installer les utilitaires .....	32
<b>Configuration du BIOS .....</b>	<b>33</b>
Entrer dans l'interface Setup du BIOS .....	33
Réinitialiser le BIOS.....	34
Mettre le BIOS à jour .....	34
EZ Mode (mode simplifié).....	35
Advanced Mode (mode avancé) .....	37
OC Menu (menu overlocking).....	38



# Informations de sécurité

- Les composants dans l'emballage peuvent être endommagés par des décharges électrostatiques (ESD). Pour vous assurer de correctement monter votre ordinateur, veuillez vous référer aux instructions ci-dessous.
- Assurez-vous de bien connecter tous les composants. En cas de mauvaise connexion, il se peut que l'ordinateur ne reconnaisse pas le composant et que le démarrage échoue.
- Veuillez tenir la carte mère par les bords pour éviter de toucher les composants sensibles.
- Il est recommandé de porter un bracelet antistatique lors de la manipulation de la carte mère pour prévenir tout dommage. Si vous n'avez pas de bracelet antistatique, touchez un objet métallique relié à la terre avant de manipuler la carte mère afin de vous décharger de votre charge statique. Touchez régulièrement l'objet métallique pendant toute la manipulation.
- Tant que la carte mère n'est pas installée, conservez-la dans un récipient protégé contre les ondes électrostatiques ou sur une couche antistatique.
- Avant de démarrer l'ordinateur, vérifiez si toutes les vis et les composants métalliques sont bien fixés sur la carte mère ou ailleurs dans le boîtier de l'ordinateur.
- Ne démarrez pas l'ordinateur avant d'avoir terminé l'installation. Ceci peut endommager les composants ou vous blesser.
- Si vous avez besoin d'aide pendant l'installation, veuillez consulter un technicien informatique certifié.
- Avant d'installer les composants d'ordinateur, veuillez toujours mettre hors tension et débrancher le cordon d'alimentation.
- Gardez ce manuel pour références futures.
- Protégez ce manuel contre l'humidité.
- Avant de brancher le bloc d'alimentation sur la sortie électrique, veuillez vous assurer que la tension de la sortie électrique est bien égale à celle du bloc d'alimentation.
- Placez le cordon d'alimentation de façon à éviter que l'on marche dessus. Ne posez rien sur le cordon d'alimentation.
- Veuillez prêter attention à toutes les alertes et remarques indiquées sur la carte mère.
- Dans un cas comme ci-dessous, faites appel au service autorisé pour vérifier votre carte mère :
  - Un liquide a pénétré dans l'ordinateur.
  - La carte mère a été exposée à de l'humidité.
  - La carte mère ne fonctionne pas comme indiqué dans les instructions.
  - La carte mère est tombée par terre et a été endommagée.
  - La carte mère est cassée.
- Ne pas mettre la carte mère dans un environnement dont la température est supérieure à 60°C (140°F) sous peine de l'endommager.

# Spécifications

<b>CPU</b>	<p>Support des processeurs de la famille de série 9000 Intel® Core™/ 8ème Gen Intel® Core™ / Pentium® Gold / Celeron® pour socket LGA1151</p> <p>* Veuillez vous au site <a href="http://www.intel.com">www.intel.com</a> pour plus d'informations de compatibilité.</p>
<b>Chipset</b>	Chipset Intel® Z390
<b>Mémoire</b>	<ul style="list-style-type: none"> <li>• 4 x slots pour mémoire DDR4, support jusqu'à 64 Go*</li> <li>• Support DDR4 4400(OC)/ 4300(OC)/ 4266(OC)/ 4200(OC)/ 4133(OC)/ 4000(OC)/ 3866(OC)/ 3733(OC)/ 3600(OC)/ 3466(OC)/ 3400(OC)/ 3333(OC)/ 3300(OC)/ 3200(OC)/ 3000(OC) / 2800(OC)/ 2666/ 2400/ 2133 MHz*</li> <li>• Support mode Double-Canal</li> <li>• Support non-ECC, mémoire un-buffered</li> <li>• Support Intel® Extreme Memory Profile (XMP)</li> </ul> <p>* Please refer <a href="http://www.msi.com">www.msi.com</a> for more information on compatible memory.</p>
<b>Slots d'extension</b>	<ul style="list-style-type: none"> <li>• 3 x slots PCIe 3.0 x16 (support les modes x16/x0/x4, x8/x8/x4)</li> <li>• 3 x slots PCIe 3.0 x1</li> </ul>
<b>Sorties vidéo intégrées</b>	<ul style="list-style-type: none"> <li>• 1 x port HDMI™ 1.4, supportant une résolution maximum de 4096x2160@24Hz</li> <li>• 1 x port DisplayPort 1.2, supportant une résolution maximum de 4096X2304@60Hz</li> </ul>
<b>Multi-GPU</b>	<ul style="list-style-type: none"> <li>• Support de la technologie NVIDIA® SLI™ 2-Way</li> <li>• Support de la technologie AMD® CrossFire™ 3-Way</li> </ul>
<b>Stockage</b>	<p>Chipset Intel® Z390</p> <ul style="list-style-type: none"> <li>• 6 x ports SATA 6 Gb/s*</li> <li>• 2 x slots M.2 (Touche M)* <ul style="list-style-type: none"> <li>▪ Support jusqu'à PCIe 3.0 x 4 et des périphériques de stockage SATA 6Gb/s, 2242/ 2260/ 2280/ 22110</li> <li>▪ Intel® Optane™ Memory Ready**</li> </ul> </li> </ul> <p>* Le slot M.2 et le port SATA partagent la même bande passante. Référez-vous à la page 20 pour les détails.</p> <p>** Avant d'utiliser les modules de mémoire Intel® Optane™, veuillez vous assurer d'avoir mis à jour les pilotes et le BIOS avec la dernière version disponible sur le site officiel MSI.</p>

Suite du tableau sur la page suivante

Suite du tableau sur la page précédente

<b>RAID</b>	<p>Chipset Intel® Z390</p> <ul style="list-style-type: none"> <li>• Support des architectures RAID 0, RAID 1, RAID 5 et RAID 10 pour les périphériques de stockage SATA</li> <li>• Support des architectures RAID 0, RAID 1 pour les périphériques de stockage M.2 PCIe</li> </ul>
<b>LAN</b>	<ul style="list-style-type: none"> <li>• 1x contrôleur Intel I219-V Gigabit LAN</li> </ul>
<b>Wireless LAN &amp; Bluetooth®</b>	<p>Carte Intel® Wireless-AC 9462</p> <ul style="list-style-type: none"> <li>• Support 802.11 a/b/g/n/ac, MU-MIMO Rx, 2.4GHz/ 5GHz jusqu'à la vitesse de 433 Mbps</li> <li>• Support Bluetooth®2.1, 2.1+EDR, 3.0,4.0, 5</li> </ul>
<b>USB</b>	<p>Chipset Intel® Z390</p> <ul style="list-style-type: none"> <li>• 3 x ports USB 3.1 Gen2 (SuperSpeed USB 10Gbps) (1 port Type-C et 1 port Type-A sur le panneau arrière, 1 Type-C connecteurs internes)</li> <li>• 6 x ports USB 3.1 Gen1 (SuperSpeed USB) (2 ports Type-A sur le panneau arrière, 4 ports disponibles par l'intermédiaire des connecteurs USB internes)</li> <li>• 6 x ports USB 2.0 (High-speed USB) (2 ports Type-A sur le panneau arrière, 4 ports disponibles par l'intermédiaire des connecteurs USB internes)</li> </ul>
<b>Audio</b>	<p>Realtek® ALC1220P Codec</p> <ul style="list-style-type: none"> <li>• Audio haute définition 7.1</li> <li>• Support sortie S/PDIF</li> </ul>
<b>Connecteurs sur le panneau arrière</b>	<ul style="list-style-type: none"> <li>• 1 x port clavier/ souris PS/2</li> <li>• 2 x ports USB 2.0 Type-A</li> <li>• 1 x port DisplayPort</li> <li>• 1 x port HDMI™</li> <li>• 1 x port USB 3.1 Gen2 Type-A</li> <li>• 1 x port USB 3.1 Gen2 Type-C</li> <li>• 1 x port LAN (RJ45)</li> <li>• 2 x ports USB 3.1 Gen1 Type-A</li> <li>• 2 x Wi-Fi connecteurs d'antenne</li> <li>• 5 x jacks audio OFC</li> <li>• 1 x connecteur Sortie S/PDIF optique</li> </ul>


Suite du tableau sur la page suivante

Suite du tableau sur la page précédente

<b>Connecteurs internes</b>	<ul style="list-style-type: none"><li>• 1 x connecteur d'alimentation principal ATX 24 broches</li><li>• 1 x connecteur d'alimentation ATX 12V 8 broches</li><li>• 1 x connecteur d'alimentation ATX 12V 4 broches</li><li>• 6 x connecteurs SATA 6Gb/s</li><li>• 1 x port USB 3.1 Gen2 Type-C</li><li>• 2 x connecteurs USB 3.1 Gen1 (support de 4 autres ports USB 3.1 Gen1)</li><li>• 2 x connecteurs USB 2.0 (support de 4 autres ports USB 2.0)</li><li>• 1 x connecteur de ventilateurs CPU 4 broches</li><li>• 1 x connecteur de ventilateurs 4 broches pour la pompe à eau</li><li>• 5 x connecteurs de ventilateurs système 4 broches</li><li>• 1 x connecteur de port série</li><li>• 1 x connecteur audio avant</li><li>• 2 x connecteurs de panneau système</li><li>• 1 x connecteur de carte additionnelle Thunderbolt</li><li>• 1 x connecteur intrusion châssis</li><li>• 1 x connecteur de module TPM</li><li>• 2 x connecteurs LED RGB 4 broches</li><li>• 1 x connecteur de LED RAINBOW 3 broches</li><li>• 1 x connecteur de LED CORSAIR 3 broches</li></ul>
<b>DebugLED</b>	<ul style="list-style-type: none"><li>• 4 x EZ Debug LED</li></ul>
<b>Contrôleur E/S</b>	Contrôleur NUVOTON NCT6797
<b>Moniteur système</b>	<ul style="list-style-type: none"><li>• Détection de la température du CPU et du système</li><li>• Détection de la vitesse du ventilateur du CPU et du système</li><li>• Contrôle de la vitesse du ventilateur du CPU et du système</li></ul>
<b>Dimensions</b>	<ul style="list-style-type: none"><li>• Format ATX</li><li>• 24,3 cm x 30,4 cm (9,6" x 12")</li></ul>

Suite du tableau sur la page suivante

Suite du tableau sur la page précédente

<b>Fonctions BIOS</b>	<ul style="list-style-type: none"><li>• 1 x flash BIOS 128 Mb</li><li>• UEFI AMI BIOS</li><li>• ACPI 6.1, SMBIOS 2.8</li><li>• Multilingue</li></ul>
<b>Logiciel</b>	<ul style="list-style-type: none"><li>• Pilotes</li><li>• DRAGON CENTER</li><li>• MYSTIC LIGHT</li><li>• Nahimic Audio</li><li>• Open Broadcaster Software (OBS)</li><li>• CPU-Z MSI GAMING</li><li>• MSI App Player (BlueStacks)</li><li>• Intel® Extreme Tuning Utility</li><li>• Google Chrome™, Google Toolbar, Google Drive</li><li>• Norton™ Internet Security Solution</li></ul>
<b>Fonctions Dragon Center</b>	<ul style="list-style-type: none"><li>• GAME OPTIMIZATION</li><li>• OC Performance</li><li>• Hardware Monitor</li><li>• Eyereast</li><li>• LAN Manager</li><li>• Live Update</li></ul>  <p>Référez-vous au site <a href="http://download.msi.com/manual/mb/DRAGONCENTER2.pdf">http://download.msi.com/manual/mb/DRAGONCENTER2.pdf</a> pour plus de détails.</p>
<b>Fonctions spéciales</b>	<ul style="list-style-type: none"><li>• Audio<ul style="list-style-type: none"><li>▪ Audio Boost 4</li><li>▪ Nahimic 3</li><li>▪ Voice Boost</li></ul></li><li>• Network<ul style="list-style-type: none"><li>▪ GAMING LAN with Gaming LAN Manager</li><li>▪ Intel CNVi WiFi</li></ul></li><li>• Stockage<ul style="list-style-type: none"><li>▪ Twin Turbo M.2</li></ul></li><li>• Ventilateur<ul style="list-style-type: none"><li>▪ Ventilateurs pour la pompe</li><li>▪ Contrôle des ventilateurs GAMING</li></ul></li></ul>

Suite du tableau sur la page suivante

Suite du tableau sur la page précédente

### Fonctions spéciales

- LED
  - Mystic Light
  - Mystic Light Extension (RGB)
  - Mystic Light Extension (RAINBOW)
  - Mystic Light Extension (CORSAIR)
  - Mystic light SYNC
  - EZ DEBUG LED
- Protection
  - Steel Armor PCI-E
- Performance
  - Technologie Multi GPU – SLI
  - Technologie Multi GPU – CrossFire
  - DDR4 Boost
  - Core Boost
  - GAME Boost
  - Port USB de type A et C
  - INTEL Turbo USB 3.1 Gen 2
- VR
  - VR Ready
- Expérience des joueurs
  - GAMING HOTKEY
  - Contrôle de la souris GAMING
  - Joueur de APP
- BIOS
  - Click BIOS 5

## Spécifications du connecteur JCORSAIR1

Produits CORSAIR à LED RGB supportés	Connexion maximale
Ruban LED RGB Lighting Node PRO	20* * dans le cas d'une luminosité de 20%
Ventilateur RGB HD120	6
Ventilateur RGB SP120	6
Ventilateur RGB LL120	6

## Contenu

Vérifiez tous les articles dans le carton d'emballage de votre carte mère. L'emballage doit contenir :

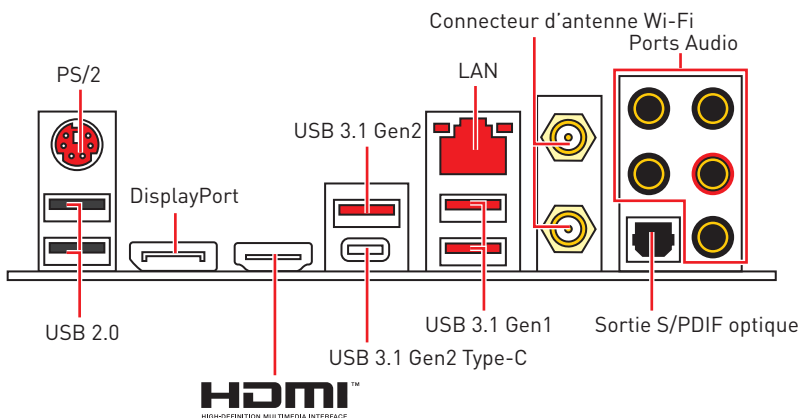
Carte mère	MPG Z390 GAMING EDGE AC	
Câble	Câble SATA 6Gb/s	2
	Câble LED	1
Accessoires	Set d'antenne	1
	SLI HB BRIDGE M	1
	Vis M.2	2
	Insigne pour châssis	1
	Labels de Câble SATA	1
	Carte d'enregistrement de produit	1
	Protection I/O Shield	1
DVD d'application	DVD de pilotes	1
Documentation	Manual d'utilisation	1
	Guide d'installation rapide	1



### **Important**

*Veillez contacter votre revendeur si un des éléments ci-dessus est endommagé ou manquant.*

# Panneau arrière Entrée/ Sortie



## Tableau explicatif de l'état de la LED du port LAN

LED indiquant la connexion et l'activité		LED indiquant la vitesse								
Etat	Description									
Eteint	Pas de connexion	<table border="1"> <thead> <tr> <th>Status</th> <th>Description</th> </tr> </thead> <tbody> <tr> <td>Eteint</td> <td>Débit de 10 Mbps</td> </tr> <tr> <td>Vert</td> <td>Débit de 100 Mbps</td> </tr> <tr> <td>Orange</td> <td>Débit de 1 Gbps</td> </tr> </tbody> </table>	Status	Description	Eteint	Débit de 10 Mbps	Vert	Débit de 100 Mbps	Orange	Débit de 1 Gbps
Status	Description									
Eteint	Débit de 10 Mbps									
Vert	Débit de 100 Mbps									
Orange	Débit de 1 Gbps									
Jaune	Connexion correcte									
Clignote	Activité en cours									

## Configuration des ports audio

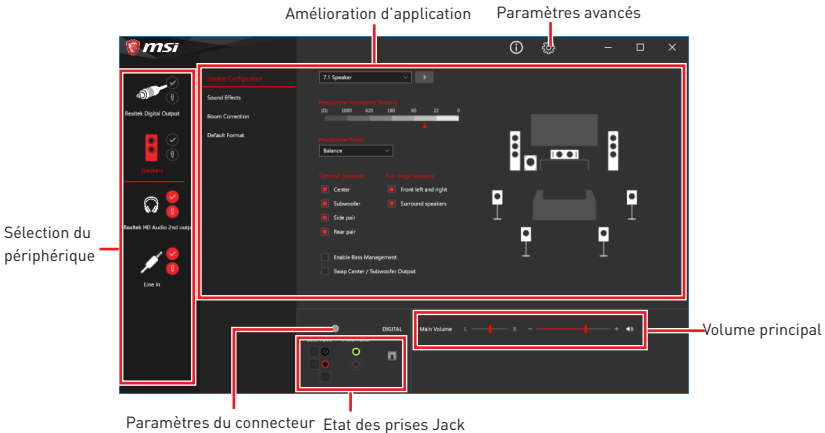
Ports Audio	Canal			
	2	4	6	8
Sortie centre/ Caisson de basse			●	●
Sortie audio haut-parleur arrière		●	●	●
Entrée Ligne/ Sortie audio haut-parleur côté				●
Sortie Ligne/ Sortie casque avant	●	●	●	●
Entrée Microphone				

(● : connecté, **Espace** : vide)



# Realtek Audio Console

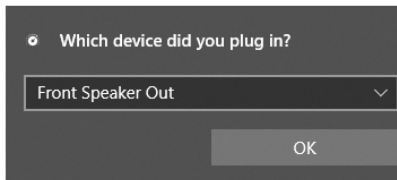
Après l'installation de Realtek Audio Console, vous pouvez l'utiliser pour modifier les paramètres du son afin d'obtenir une meilleure expérience sonore.



- **Sélection du périphérique** - vous permet de sélectionner une source de sortie audio pour en modifier les paramètres. Le symbole de coche indique le périphérique sélectionné par défaut.
- **Amélioration d'application** - les diverses options vous fournissent un guide complet des effets acoustiques proposés pour les périphériques de sortie et d'entrée.
- **Volume principal** - contrôle le volume ou équilibre le son gauche/droite des haut-parleurs branchés sur le panneau avant ou derrière en ajustant la barre de volume.
- **Etat des prises Jack** - présente tous les périphériques de diffusion et de capture connectés à votre ordinateur.
- **Paramètres du connecteur** - configure les paramètres de connexion.

## Dialogue popup automatique

Lorsqu'un périphérique est branché sur une prise audio, une fenêtre de dialogue apparaît vous demande de choisir le périphérique connecté que vous souhaitez utiliser.

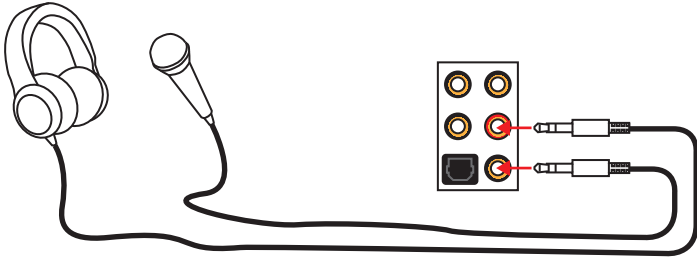


Chaque jack est réglé avec ses paramètres par défaut comme indiqué sur la page suivante.

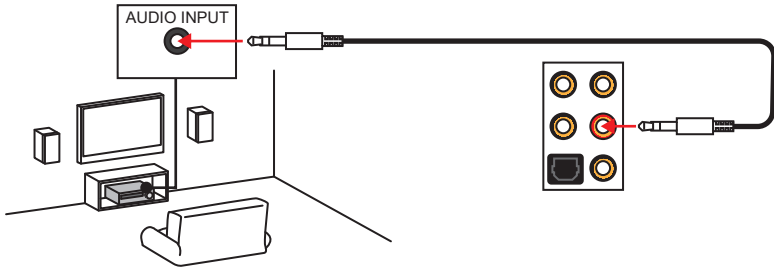
**! Important**

Les photos ci-dessus ne sont données qu'à titre de référence et peuvent varier selon le produit que vous achetez.

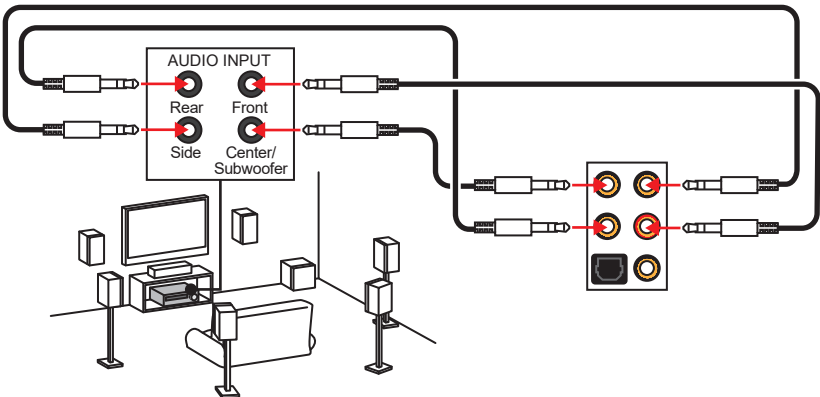
### Illustration de l'utilisation des ports audio dédiés au casque et au microphone



### Illustration de l'utilisation du port audio dédié aux haut-parleurs

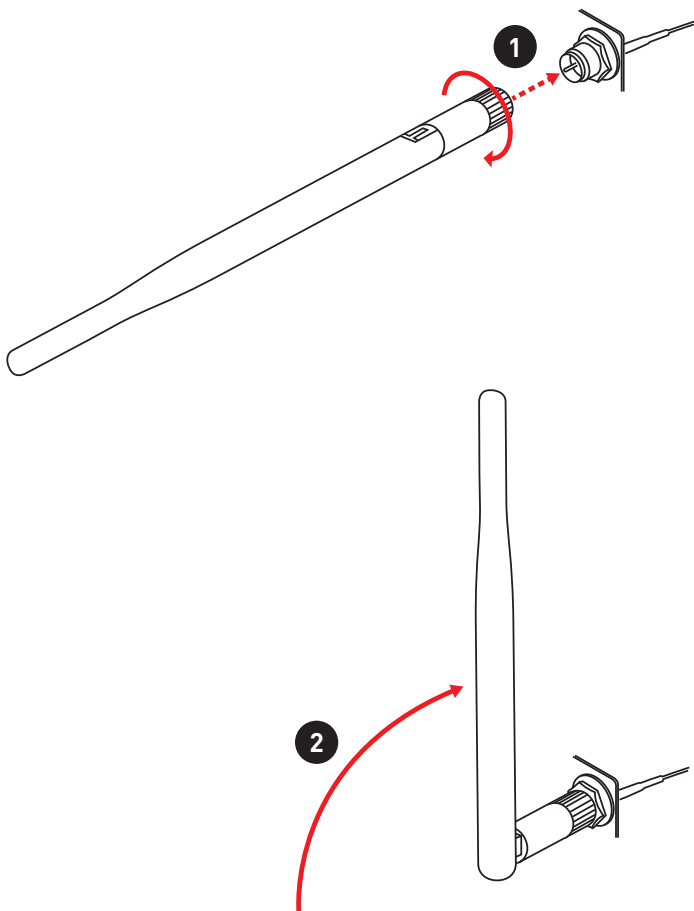


### Illustration de l'utilisation des ports audio dédiés aux haut-parleurs 7.1

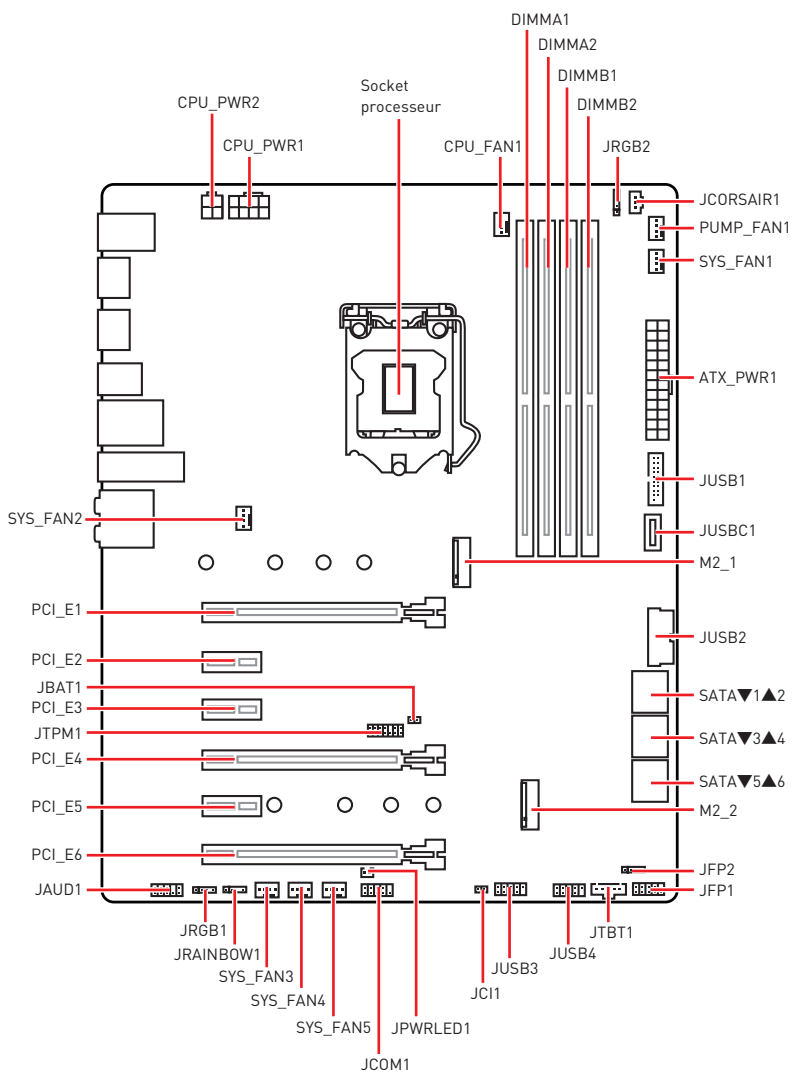


## Installation des antennes

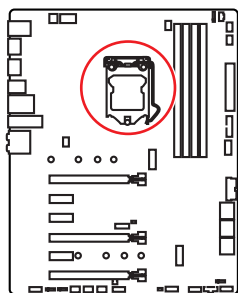
1. Vissez fermement les antennes aux connecteurs dédiés, comme illustré ici.
2. Orientez les antennes.



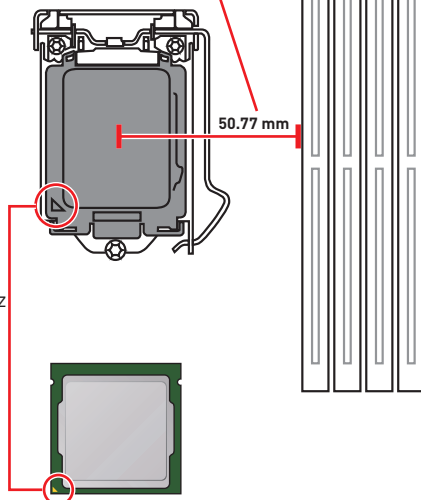
# Vue d'ensemble des composants



## Socket processeur



Distance entre le centre du CPU  
et le slot DIMM le plus proche.



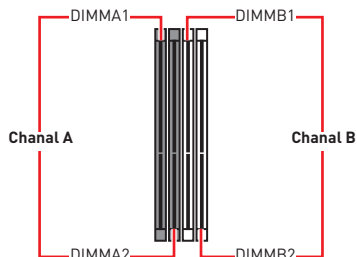
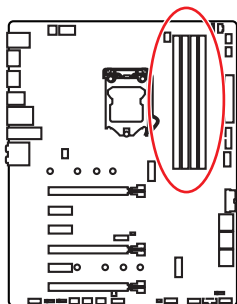
### Présentation du socket LGA 1151

Sur le socket LGA 1151, vous remarquerez deux **encoches** et un **triangle jaune** servant d'indicateur pour placer le processeur dans la bonne position sur la carte mère. Le triangle jaune correspond à la broche 1 du processeur.

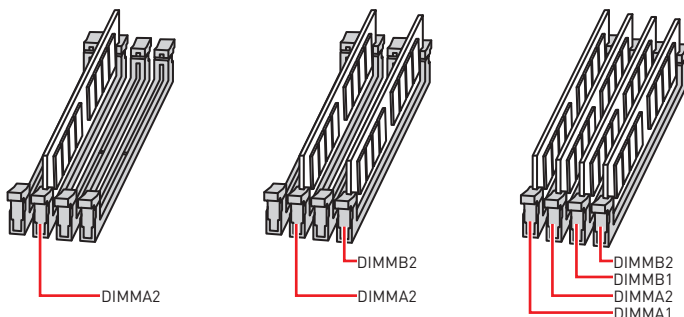
### Important

- Avant d'installer ou de retirer le processeur du socket, veillez à toujours débrancher le câble d'alimentation de la prise électrique.
- Veuillez garder le capot de protection du processeur après l'installation du processeur. Selon les exigences de RMA (Return Merchandise Authorization), MSI n'acceptera pas les cartes mère dont le capot de protection aura été retiré.
- Lors de l'installation d'un processeur, n'oubliez pas d'installer un ventilateur pour processeur. Un ventilateur de processeur est nécessaire pour protéger le processeur contre la surchauffe et maintenir la stabilité du système.
- Assurez-vous de l'étanchéité entre le ventilateur et le processeur avant de démarrer votre système.
- La surchauffe peut facilement endommager le processeur et la carte mère. Assurez-vous toujours que le système de refroidissement fonctionne correctement pour protéger le processeur de la surchauffe. Assurez-vous d'appliquer une couche de pâte thermique (ou adhésif thermique) entre le processeur et le système de refroidissement afin d'améliorer la dissipation de la chaleur.
- Quand le processeur n'est pas installé, protégez toujours les broches de l'emplacement du processeur avec le couvercle dédié.
- Si vous avez acheté un processeur indépendamment du ventilateur, veuillez vous référer à la documentation dans le paquet du ventilateur pour plus d'informations concernant l'installation.
- Cette carte mère supporte l'overclocking. Néanmoins, veuillez vous assurer que vos composants soient capables de tolérer l'overclocking. Prenez note que l'utilisation au-delà des spécifications du constructeur n'est pas recommandée. MSI® ne garantit pas les dommages et risques causés par les utilisations non prévues dans les spécifications du produit.

## Slots DIMM



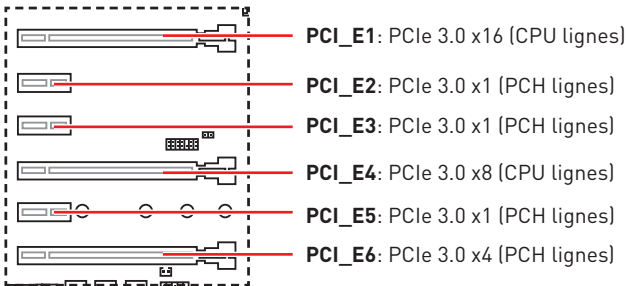
## Installation recommandée de module mémoire



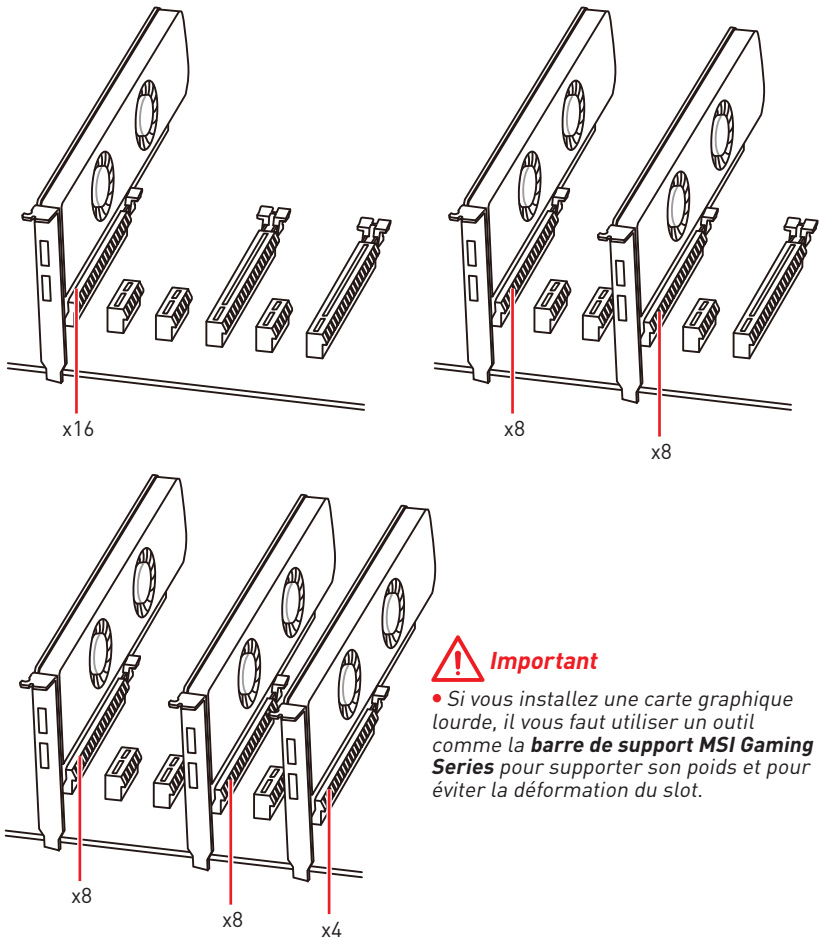
### Important

- Veillez à toujours insérer un module de mémoire dans l'emplacement **DIMMA2** en premier.
- Du fait des ressources utilisées par le chipset, la capacité de mémoire disponible est un peu moins élevée que celle installée.
- Basé sur les spécifications du processeur Intel, une tension d'une barrette mémoire en dessous de 1.35V est conseillée pour protéger le processeur.
- Veuillez noter que la capacité maximum de la mémoire est de 4 Go ou moins pour le système d'exploitation Windows 32-bit du fait de la limitation de mémoire. Par conséquent, il est recommandé d'installer le système d'exploitation Windows 64-bit si vous voulez installer une mémoire de plus de 4 Go sur la carte mère.
- Certaines mémoires peuvent fonctionner à une fréquence réduite par rapport à la valeur indiquée lors de l'overclocking car la fréquence d'opération de mémoire dépend du Serial Presence Detect (SPD). Rendez-vous sur le BIOS et choisissez la fonction **Memory Try It!** pour régler la fréquence de mémoire si vous voulez faire fonctionner la mémoire à la fréquence indiquée ou à une fréquence plus élevée.
- Il est recommandé d'utiliser un système de refroidissement qui sera capable de refroidir toutes les barrettes mémoire et d'offrir de bonnes performances lors d'un overclocking.
- La stabilité et la compatibilité du module de mémoire lors de l'overclocking dépendent du processeur et des périphériques installés.

## PCI\_E1~5: Slots d'extension PCIe



### Installation recommandée pour une configuration multi-GPU



#### Important

- Si vous installez une carte graphique lourde, il vous faut utiliser un outil comme la **barre de support MSI Gaming Series** pour supporter son poids et pour éviter la déformation du slot.

## Important

- Si vous choisissez d'installer une seule carte d'extension PCIe x16, nous vous recommandons d'utiliser le slot **PCI\_E1** pour profiter de performances optimales.

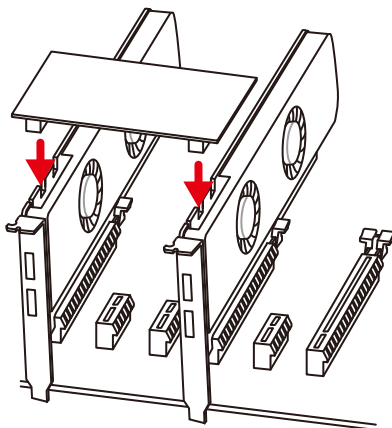
Veillez à toujours mettre l'ordinateur hors tension et à débrancher le cordon d'alimentation avant d'installer les cartes d'extension. Référez-vous à la documentation des cartes pour vérifier si un composant ou un logiciel doit être modifié.

## Installation des cartes graphiques SLI

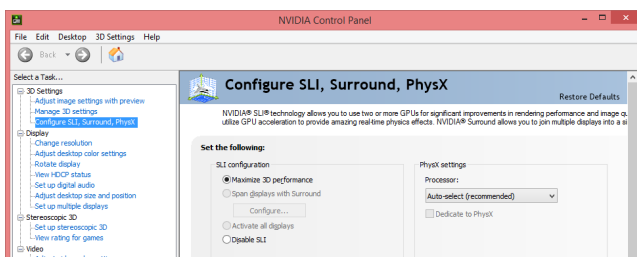
Pour savoir quel type d'alimentation est recommandé pour une configuration SLI, veuillez vous référer au mode d'emploi de votre carte graphique, afin de parfaitement répondre à la demande du système.

Pour installer les cartes graphiques en SLI :

1. Eteignez votre ordinateur et déconnectez le cordon d'alimentation. Installez deux cartes graphiques dans les slots **PCI\_E1** et **PCI\_E4**.
2. Connectez les deux cartes graphiques avec un **pont SLI**.

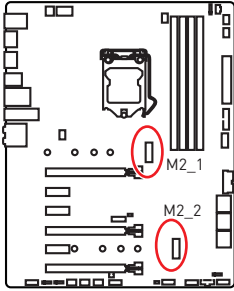


3. Reliez tous les connecteurs d'alimentation PCIe des cartes graphiques.
4. Reconnectez le cordon d'alimentation, allumez votre ordinateur et installez les pilotes et logiciels fournis avec la carte graphique.
5. Faites un clic droit sur le bureau de Windows et choisissez **NVIDIA Control Panel** dans le menu. Sur l'onglet de gauche, cliquez sur **Configure SLI, Surround, PhysX** dans l'onglet à gauche. Sélectionnez **Maximize 3D performance** dans le menu de configuration SLI et puis cliquez sur **Appliquer**.





## M2\_1~2 : Slots M.2 (Touche M)



### ⚠ Important

- La technologie Intel® RST supporte seulement un SSD M.2 PCIe avec une mémoire ROM UEFI.
- Intel® Optane™ Memory Ready.



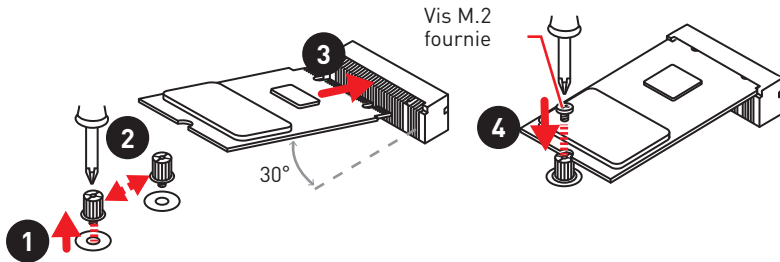
### ▶ Video Demonstration

Référez-vous à la vidéo d'instruction sur l'utilisation de la protection M.2 Shield.

<http://youtu.be/JCTFABytrYA>

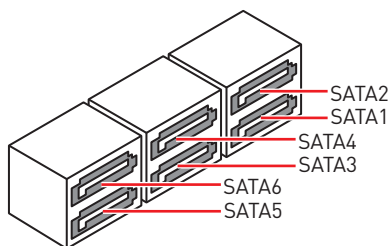
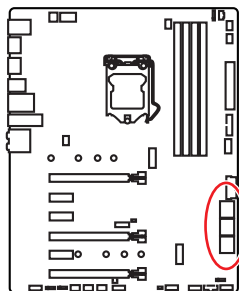
### Installation du SSD M.2

1. Desserrez la vis M.2 de la carte mère.
2. Déplacez et fixez la vis M.2 à l'emplacement approprié pour votre SSD M.2.
3. Insérez votre SSD M.2 dans le slot M.2 à un angle de 30 degrés.
4. Fixez le SSD M.2 avec la vis M.2 fournie.



## SATA1~6 : Connecteurs SATA 6 Gb/s

Ces connecteurs utilisent une interface SATA 6 Gb/s. Chaque connecteur peut être relié à un appareil SATA.



### Important

- Veuillez ne pas plier les câbles SATA à 90° car cela pourrait entraîner une perte de données pendant la transmission.
- Les câbles SATA disposent de prises identiques sur chaque côté. Néanmoins, il est recommandé de connecter la prise plate sur la carte mère pour un gain d'espace.

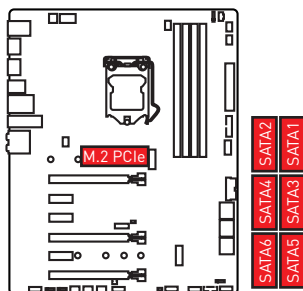
## Tableau de combinaison M.2 et SATA

Slot	Connecteurs SATA disponibles					
	PCIe	SATA	PCIe	SATA	PCIe	SATA
M2_1	PCIe	SATA	PCIe	SATA	PCIe	SATA
M2_2	PCIe	PCIe	SATA	SATA	—	—
SATA1	✓	✓	✓	✓	✓	✓
SATA2	✓	—	✓	—	✓	—
SATA3	✓	✓	✓	✓	✓	✓
SATA4	✓	✓	✓	✓	✓	✓
SATA5	—	—	—	—	✓	✓
SATA6	—	—	✓	✓	✓	✓

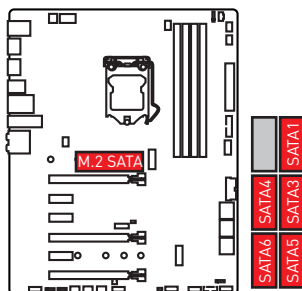
[SATA: M.2 SATA SSD, PCIe: M.2 PCIe SSD, ✓: disponible, —: indisponible]

## Combinaison des slots M.2

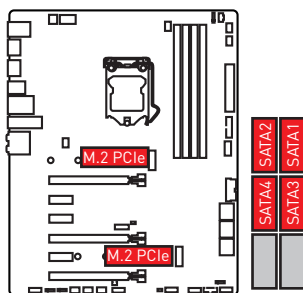
1 x SSD M.2 PCIe + 6 x disques durs SATA



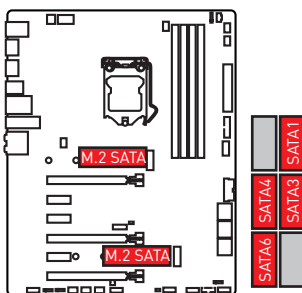
1x SSD M.2 SATA + 5 x disques durs SATA



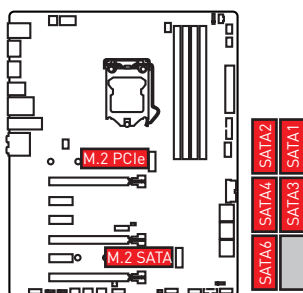
2 x SSDs M.2 PCIe + 4 x disques durs SATA



2 x SSDs M.2 SATA + 4 x disques durs SATA

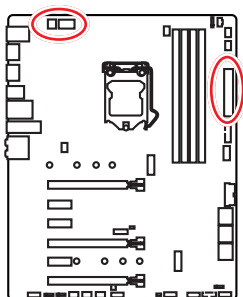


1 x SSD M.2 PCIe + 1x SSD M.2 SATA + 5 x disques durs SATA



## CPU\_PWR1~2, ATX\_PWR1 : Connecteurs d'alimentation

Ces connecteurs vous permettent de relier une alimentation ATX.



1	Ground	5	+12V
2	Ground	6	+12V
3	Ground	7	+12V
4	Ground	8	+12V

1	Ground	3	+12V
2	Ground	4	+12V

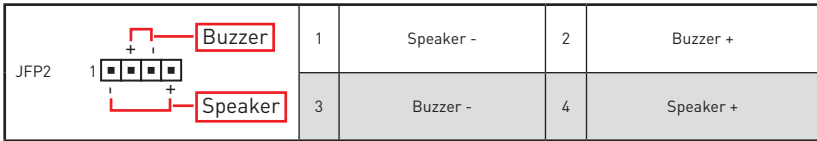
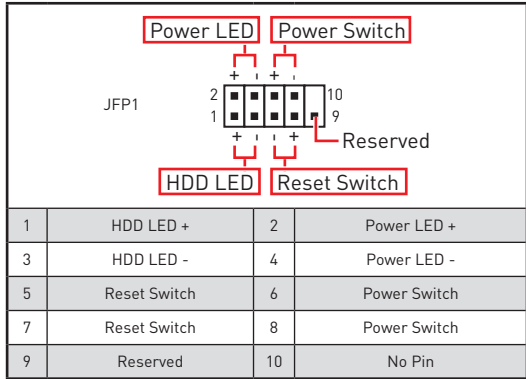
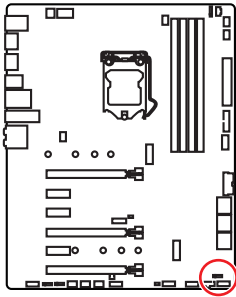
1	+3.3V	13	+3.3V
2	+3.3V	14	-12V
3	Ground	15	Ground
4	+5V	16	PS-ON#
5	Ground	17	Ground
6	+5V	18	Ground
7	Ground	19	Ground
8	PWR OK	20	Res
9	5VSB	21	+5V
10	+12V	22	+5V
11	+12V	23	+5V
12	+3.3V	24	Ground

### Important

*Veillez vous assurer que tous les câbles d'alimentation sont branchés aux connecteurs adéquats afin garantir une opération stable de la carte mère.*

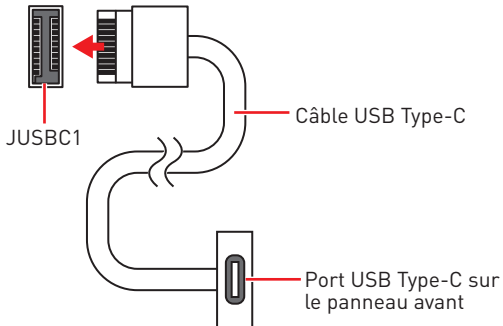
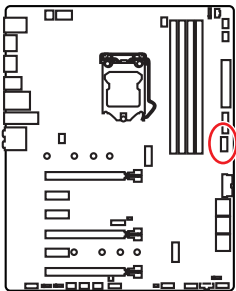
## JFP1, JFP2 : Connecteurs de panneau avant

Ces connecteurs se lient aux interrupteurs et indicateurs LED du panneau avant.



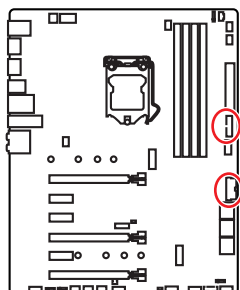
## JUSBC1: Connecteur USB 3.1 Gen2 Type-C

Ce connecteur vous permet de relier un port USB 3.1 Gen2 Type-C sur le panneau avant. Pour plus de sécurité, ce connecteur a été conçu pour offrir une excellente robustesse. Quand vous connectez le câble, assurez-vous de le brancher dans le bon sens.



## JUSB1~2: Connecteurs USB 3.1 Gen1

Ces connecteurs vous permettent de relier des ports USB 3.1 Gen 1 sur le panneau avant.

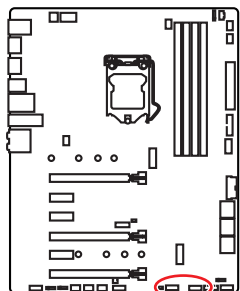


1	Power	11	USB2.0+
2	USB3_RX_DN	12	USB2.0-
3	USB3_RX_DP	13	Ground
4	Ground	14	USB3_TX_C_DP
5	USB3_TX_C_DN	15	USB3_TX_C_DN
6	USB3_TX_C_DP	16	Ground
7	Ground	17	USB3_RX_DP
8	USB2.0-	18	USB3_RX_DN
9	USB2.0+	19	Power
10	NC	20	No Pin

### Important

Notez que les câbles d'alimentation et de terre doivent être branchés correctement afin d'éviter d'endommager la carte.

## JUSB3~4: Connecteurs USB 2.0



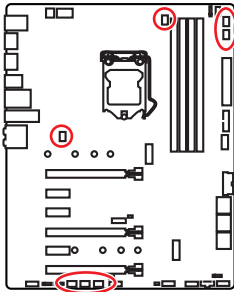
1	VCC	2	VCC
3	USB0-	4	USB1-
5	USB0+	6	USB1+
7	Ground	8	Ground
9	No Pin	10	NC

### Important

- Notez que les broches VCC et Terre doivent être branchées correctement afin d'éviter tout dommage sur la carte mère.
- Pour recharger votre iPad, iPhone et iPod par l'intermédiaire d'un port USB, veuillez installer l'utilitaire MSI DRAGON CENTER.

## CPU\_FAN1, SYS\_FAN1~5, PUMP\_FAN1 : Connecteurs pour ventilateurs

Les connecteurs pour ventilateurs peuvent être utilisés en mode PWM (Pulse Width Modulation) et en mode DC. En mode PWM, les connecteurs fournissent une sortie de 12V constante et ajustent la vitesse des ventilateurs avec un signal de contrôle de vitesse. En mode DC, les connecteurs contrôlent la vitesse des ventilateurs en modifiant la tension. Par conséquent, quand vous branchez un ventilateur à 3 broches (Non-PWM) à un connecteur de ventilateur de mode PWM, la vitesse sera toujours maintenue à 100% et cela occasionnera du bruit. Vous pouvez suivre les instructions ci-dessous pour régler le connecteur de ventilateur en mode PWM ou mode DC.



### Connecteurs pour ventilateurs en mode PWM par défaut



1  
CPU\_FAN1/ PUMP\_FAN1

### Connecteurs pour ventilateurs en mode DC par défaut



1  
SYS\_FAN1-2

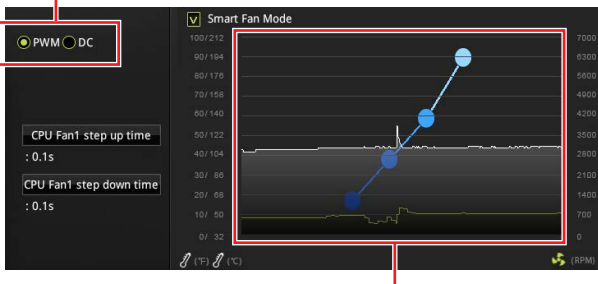


1  
SYS\_FAN3-5

## Basculer entre les modes des ventilateurs et ajuster la vitesse

Vous pouvez alterner entre le mode PWM et le mode DC et ajuster la vitesse des ventilateurs dans le **BIOS > HARDWARE MONITOR**.

Choisissez le mode **PWM** ou le mode **DC**



Il y a des points de gradient de la vitesse du ventilateur qui vous permet d'ajuster la vitesse de ventilateur par rapport à la température du processeur.

### **!** Important

*Veillez vous assurer que les ventilateurs fonctionnent correctement après avoir basculé entre les modes PWM et DC.*

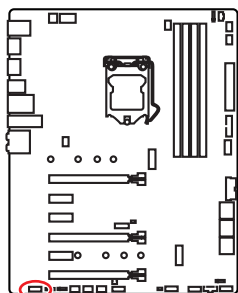
## Définition des broches des connecteurs de ventilateur

Définition des broches en mode PWM			
1	Ground	2	+12V
3	Sense	4	Speed Control Signal

Définition des broches en mode DC			
1	Ground	2	Voltage Control
3	Sense	4	NC

## JAUD1 : Connecteur audio avant

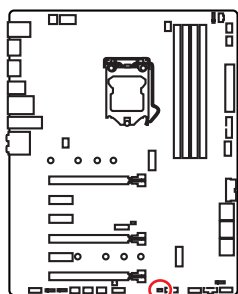
Ce connecteur se lie aux jacks audio du panneau avant.



1	MIC L	2	Ground
3	MIC R	4	NC
5	Head Phone R	6	MIC Detection
7	SENSE_SEND	8	No Pin
9	Head Phone L	10	Head Phone Detection

## JCI1 : Connecteur intrusion châssis

Ce connecteur est relié à un câble d'interrupteur intrusion châssis.



Normal  
(défaut)



Commencer l'activité  
intrusion châssis

### Utilisation du détecteur d'intrusion châssis

1. Reliez le connecteur **JCI1** à l'interrupteur ou au capteur d'intrusion châssis situé sur le boîtier du PC.
2. Fermez le couvercle du boîtier.
3. Allez dans le **BIOS > SETTINGS (Réglages) > Security (Sécurité) > Chassis Intrusion Configuration (Configuration intrusion châssis)**.
4. Réglez **Chassis Intrusion (intrusion châssis)** sur **Enabled (Activé)**.
5. Appuyez sur **F10** pour sauvegarder et quitter. Ensuite appuyez sur la touche **Enter (Entrée)** pour choisir **Yes (Oui)**.
6. Désormais, si le boîtier du PC est ouvert quand l'ordinateur est allumé, vous recevrez un message d'alerte à l'écran.

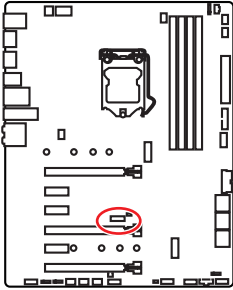
### Réinitialisation de l'alerte intrusion châssis

1. Allez dans le **BIOS > SETTINGS (Réglages) > Security (Sécurité) > Chassis Intrusion Configuration (Configuration intrusion châssis)**.
2. Mettez **Chassis Intrusion (Intrusion châssis)** en **Reset (Remettre)**.
3. Appuyez sur **F10** pour sauvegarder et quitter. Ensuite appuyez sur la touche **Enter (Entrée)** pour choisir **Yes (Oui)**.



## JTPM1 : Connecteur de module TPM

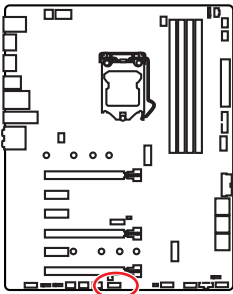
Ce connecteur est relié à un module TPM (Trusted Platform Module). Veuillez vous référer au manuel du module TPM pour plus d'informations.



1	LPC Clock	2	3V Standby power
3	LPC Reset	4	3.3V Power
5	LPC address & data pin0	6	Serial IRQ
7	LPC address & data pin1	8	5V Power
9	LPC address & data pin2	10	No Pin
11	LPC address & data pin3	12	Ground
13	LPC Frame	14	Ground

## JCOM1 : Connecteur de port série

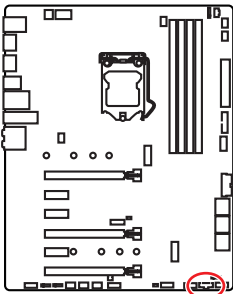
Ce connecteur vous permet de relier un port série en option.



1	DCD	2	SIN
3	SOUT	4	DTR
5	Ground	6	DSR
7	RTS	8	CTS
9	RI	10	No Pin

## JTBT1 : Connecteur de carte additionnelle Thunderbolt

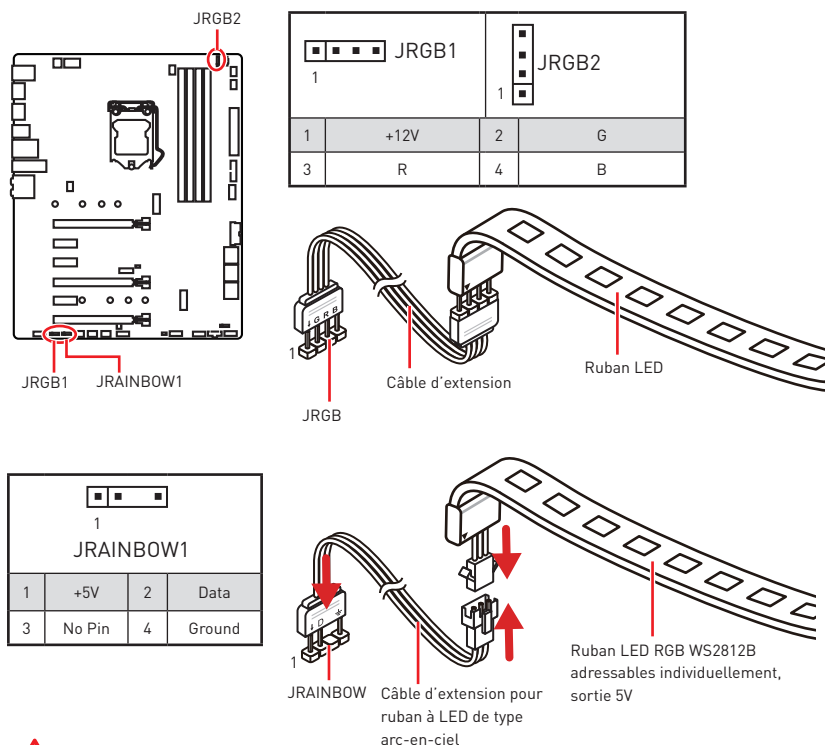
Ce connecteur vous permet de relier une carte additionnelle Thunderbolt E/S.



1	FORCE_PWR	2	SCI_EVENT
3	SLP_S3#	4	SLP_S5#
5	GND		

## JRGB1~2, JRAINBOW1: Connecteurs LED RGB

Le connecteur JRGB vous permet de connecter un ruban LED RGB de type 5050 12V. Le connecteur JRAINBOW vous permet de connecter un ruban à LED RGB WS2812B adressables individuellement 5V.



### **ATTENTION**

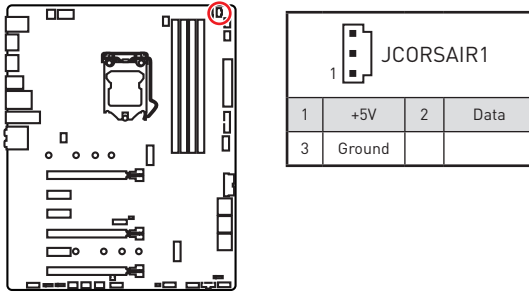
Faites attention à bien connecter le bon type de ruban LED. Le connecteur JRGB et le connecteur JRAINBOW fournissent des tensions différentes. La connexion d'un ruban LED 5V au connecteur JRGB1 peut endommager le ruban.

### **Important**

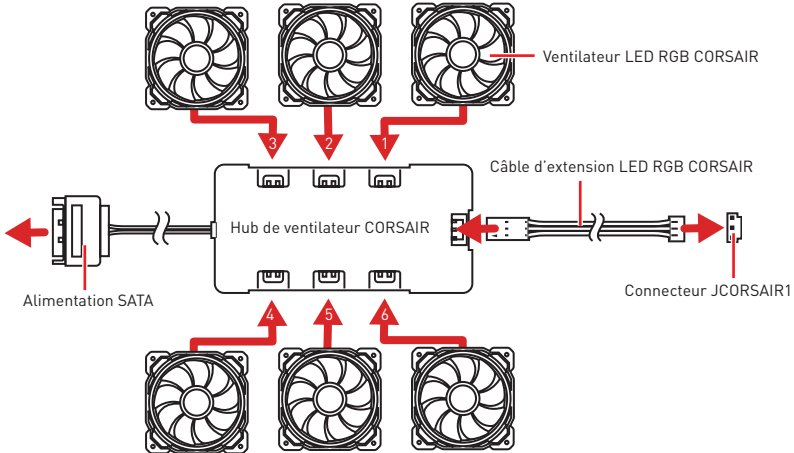
- Le connecteur JRGB1 supporte jusqu'à des rubans 2 mètres en continu de type 5050 avec une puissance nominale maximale de 3A (12V).
- Le connecteur JRAINBOW supporte jusqu'à des rubans 72 LEDs WS2812B adressables individuellement (5V/Data/Ground) avec une puissance nominale maximale de 3A (5V).
- Avant d'installer ou de retirer le ruban LED, veillez à toujours éteindre l'alimentation et à débrancher le câble d'alimentation de la prise électrique.
- Veuillez utiliser un logiciel MSI dédié pour contrôler le ruban d'extension LED.

## JCORSAIR1 : Connecteur CORSAIR

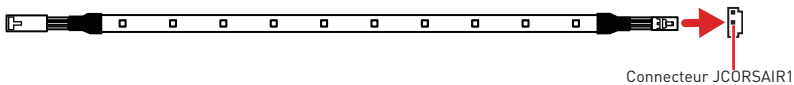
Le connecteur JCORSAIR1 vous permet de connecter un ruban à LED RGB Lighting PRO adressables individuellement 5V ou un ventilateur RGB de marque Corsair via un hub de ventilateur CORSAIR. Une fois que tous les éléments sont correctement connectés, vous pourrez contrôler les rubans et les ventilateurs LED RGB de marque CORSAIR avec un logiciel MSI dédié.



### Connexion du ventilateur LED RGB de marque CORSAIR



### Connexion du CORSAIR Lighting Node PRO

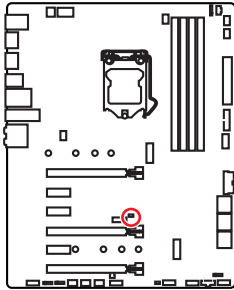


### ⚠ Important

- Veuillez connecter les ventilateurs en série 1 > 2 > 3 > 4 > 5 > 6. Tout ventilateur qui n'est pas connecté en série interrompra la communication et la fonction de rétroéclairage LED RGB ne fonctionnera pas.
- Le nombre de ventilateurs LED RGB ou de rubans LED RGB Lighting PRO supportés peut varier selon le modèle. Veuillez vous référer aux spécifications de la carte mère.
- Le ventilateur LED RGB de marque Corsair et le ruban CORSAIR Lighting Node PRO ne peuvent pas être utilisés en même temps.

## JBAT1 : Cavalier Clear CMOS (Réinitialisation BIOS)

Une mémoire CMOS est intégrée et est alimentée en externe par une batterie située sur la carte mère afin de conserver les données de configuration système. Si vous souhaitez nettoyer la configuration système, placez le cavalier sur Effacer CMOS de manière à nettoyer la mémoire CMOS.



Conservar  
les données  
(défaut)



Effacer CMOS/  
Réinitialiser BIOS

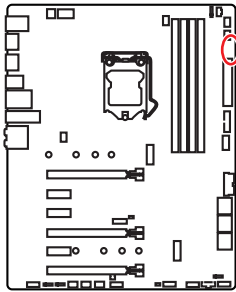
### Réinitialiser le BIOS aux valeurs par défaut

1. Eteignez l'ordinateur et débranchez le câble d'alimentation de la prise électrique.
2. Utilisez un couvercle de cavalier pour fermer **JBAT1** pour environ 5-10 secondes.
3. Enlevez le couvercle de cavalier du **JBAT1**.
4. Branchez de nouveau le câble d'alimentation à votre ordinateur et allumez-le.

# Indicateurs LED embarqués

## EZ Debug LED

Ces LEDs indiquent l'état de débogage de la carte mère.



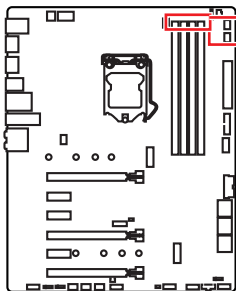
- CPU** - indique que le CPU n'est pas détecté ou que son initialisation a échoué.
- DRAM** - indique que la mémoire DRAM n'est pas détectée ou que son initialisation a échoué.
- VGA** - indique que le GPU n'est pas détecté ou que son initialisation a échoué.
- BOOT** - indique que le périphérique de démarrage n'est pas détecté ou que son initialisation a échoué.

## Indicateurs LED des barrettes DIMM

Ces LEDs indiquent que les barrettes de mémoire sont installées.

## Indicateur LED du mode XMP

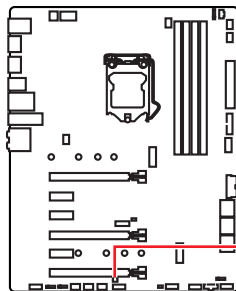
Cette LED indique que le mode XMP (Extreme Memory Profile) est activé.



- Indicateurs LED des barrettes DIMM
- Indicateur LED du mode XMP

## JPWRLED1: Indicateur LED de l'entrée d'alimentation

Ce connecteur est utilisé par les revendeurs pour faire une démonstration des effets de lumière des indicateurs LED.



- JPWRLED1 - Indicateur LED de l'entrée d'alimentation

# Installer OS, Pilotes & Utilitaires

Veillez vous référer au site [www.msi.com](http://www.msi.com) pour télécharger et mettre à jour les derniers utilitaires et pilotes.

## Installer Windows® 10

1. Allumez l'ordinateur.
2. Insérez le disque de Windows® 10 dans le lecteur optique.
3. Appuyez sur le bouton **Restart** du boîtier de l'ordinateur.
4. Appuyez sur la touche **F11** pendant le POST (Power-On Self Test) du système pour entrer dans le menu Boot Menu.
5. Choisissez le lecteur optique du Boot Menu.
6. Appuyez sur n'importe quelle touche lorsqu'apparaît le message **[Press any key to boot from CD or DVD]**.
7. Suivez les instructions à l'écran pour installer Windows® 10.

## Installer les pilotes

1. Allumez l'ordinateur sous Windows® 10.
2. Insérez le disque MSI® Driver Disc dans le lecteur optique.
3. Cliquez sur la fenêtre popup **Choisir quoi faire avec ce disque (Select to choose what happens with this disc)**, puis choisissez **Lancer DVDSetup.exe (Run DVDSetup.exe)** pour ouvrir l'outil d'installation. Si vous désactivez la fonction AutoPlay dans le panneau de configuration Windows, vous pouvez quand même exécuter manuellement **DVDSetup.exe** à partir du chemin d'accès depuis la racine du disque de pilotes MSI.
4. L'outil d'installation trouvera et listera tous les pilotes dont vous avez besoin dans **l'onglet Pilotes/Logiciels (Drivers/Software)**.
5. Cliquez sur le bouton **Installer (Install)** dans le coin inférieur droit de la fenêtre.
6. L'installation des pilotes commence. Une fois terminée, il vous sera demandé de redémarrer.
7. Cliquez sur le bouton **OK** pour terminer.
8. Redémarrez votre ordinateur.

## Installer les utilitaires

Avant d'installer les utilitaires, il faut compléter l'installation des pilotes.

1. Ouvrez l'outil d'installation comme décrit ci-dessus.
2. Cliquez sur l'onglet **Utilities**.
3. Choisissez les utilitaires que vous voulez installer.
4. Cliquez sur le bouton **Installer (Install)** dans le coin inférieur droit de la fenêtre.
5. L'installation des utilitaires commence. Une fois terminée, il vous sera demandé de redémarrer.
6. Cliquez sur le bouton **OK** pour terminer.
7. Redémarrez votre ordinateur.

# Configuration du BIOS

Les réglages par défaut fournissent une performance optimale pour la stabilité du système en conditions normales. Veuillez à **toujours garder les réglages par défaut** pour éviter d'endommager le système ou tout problème au démarrage, sauf si vous êtes familier avec le BIOS.



## **Important**

- Le BIOS est constamment mis à jour afin d'offrir de meilleures performances système. Par conséquent, la description peut différer selon la version de BIOS utilisée et n'est donc donnée qu'à titre de référence. Vous pouvez aussi vous référer à l'onglet **Help (Aide)** pour obtenir la description des fonctions du BIOS.
- Les photos ne sont données qu'à titre de référence et peuvent varier selon le produit que vous achetez.

## Entrer dans l'interface Setup du BIOS

Pour entrer dans l'interface Setup du BIOS, vous pouvez suivre ces deux méthodes :

- Pendant le démarrage, lorsqu'apparaît le message "**Press DEL key to enter Setup Menu, F11 to enter Boot Menu**" sur l'écran, veuillez appuyer sur la touche **Suppr**.
- Quand l'ordinateur est déjà en marche, vous pouvez utiliser l'application **MSI DRAGON CENTER**. Cliquez sur le bouton **G02BIOS** puis sur **OK**. Le système redémarre et entre dans l'interface Setup du BIOS.

### Touches de fonction

- F1:** Aide générale
- F2:** Ajouter ou supprimer un élément favori
- F3:** Entrer dans le menu Favoris
- F4:** Entrer dans le menu de réglages du processeur
- F5:** Entrer dans le menu Memory-Z
- F6:** Charger les réglages par défaut
- F7:** Alternner entre le mode avancé et le mode simplifié
- F8:** Charger le profil d'overclocking
- F9:** Sauvegarder le profil d'overclocking
- F10:** Sauvegarder les modifications et réglages\*
- F12:** Prendre une capture d'écran et la conserver dans le lecteur flash USB (au format FAT/ FAT32 uniquement).
- Ctrl+F:** Entrer dans la page de recherche

\* Lorsque vous appuyez sur F10, une fenêtre de confirmation apparaît et fournit l'information de modification. Choisissez entre Oui et Non pour confirmer.

## Réinitialiser le BIOS

Il se peut que vous ayez besoin de récupérer les réglages BIOS par défaut pour résoudre des problèmes. Pour réinitialiser les réglages du BIOS, veuillez suivre l'une des méthodes suivantes :

- Allez dans le Setup du BIOS et appuyez sur **F6** pour charger les réglages par défaut.
- Court-circuitez le cavalier **Clear CMOS** sur la carte mère.



### **Important**

Assurez-vous que l'ordinateur est éteint avant d'effacer les données CMOS. Veuillez vous référer à la section cavalier **Clear CMOS** pour en savoir plus sur la réinitialisation du BIOS.

## Mettre le BIOS à jour

### Mettre le BIOS à jour avec M-FLASH

Avant la mise à jour :

Veuillez télécharger la dernière version de BIOS compatible à votre carte mère sur le site MSI. Ensuite, veuillez sauvegarder le nouveau BIOS sur le lecteur flash USB.

Mettre le BIOS à jour :

1. Connectez le lecteur Flash USB contenant le profil à le port USB.
2. Veuillez vous référer aux méthodes suivantes pour passer en mode flash.
  - Redémarrez et appuyez sur la touche **Ctrl + F5** pendant le processus de POST et cliquez sur **Yes (Oui)** pour redémarrer le système.
  - Redémarrez et appuyez sur la touche **Del** pendant le processus de POST pour entrer dans l'interface du BIOS. Cliquez le bouton **M-FLASH** et cliquez sur **Yes (Oui)** pour redémarrer le système.
3. Choisissez un profil BIOS pour commencer la mise à jour du BIOS.
4. Une fois la mise à jour terminée, le système redémarrera automatiquement.

### Mettre le BIOS à jour avec MSI DRAGON CENTER

Avant la mise à jour :

Assurez-vous que le lecteur LAN est bien installé et que l'ordinateur est correctement connecté à internet.

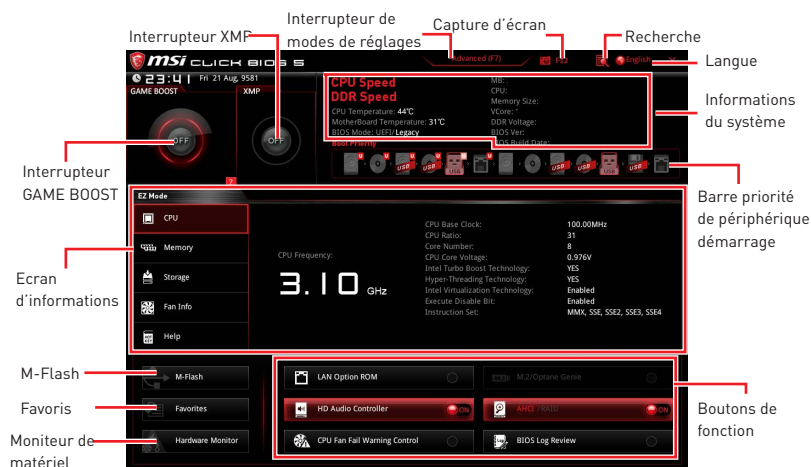
Mettre le BIOS à jour :

1. Installez et lancez MSI DRAGON CENTER.
2. Choisissez **BIOS Update (Mettre le BIOS à jour)**.
3. Cliquez sur le bouton **Scan**.
4. Cliquez sur l'icône **Download** pour télécharger et installer la dernière version du BIOS.
5. Cliquez sur **Next (Suivant)** et choisissez le mode **In Windows**. Ensuite, cliquez sur **Next (Suivant)** et **Start (Commencer)** pour lancer la mise à jour du BIOS.
6. Une fois la mise à jour terminée, le système redémarrera automatiquement.



## EZ Mode (mode simplifié)

Le mode EZ vous fournit les informations basiques du système et vous permet de configurer les réglages de base. Si vous souhaitez configurer les réglages du BIOS, veuillez utiliser le mode Advanced en appuyant sur le **switch Setup Mode (Interrupteur de modes de réglages)** ou la touche de fonction **F7**.



- **Interrupteur GAME BOOST** - appuyez sur le bouton GAME BOOST pour activer cette fonctionnalité.
- **Interrupteur XMP** - cliquez sur le cercle intérieur pour activer ou désactiver le profil XMP (Extreme Memory Profile). Cliquez sur le cercle extérieur pour choisir le profil XMP. Cet interrupteur est seulement disponible si le profil XMP supporte le module de mémoire installé.
- **Interrupteur de modes de réglages** - appuyez sur ce menu ou la touche **F7** pour commuter entre le mode avancé et le mode simplifié.
- **Capture d'écran** - appuyez sur ce menu ou sur la touche **F12** pour prendre une capture d'écran et la conserver dans le lecteur flash USB (Lecteur flash USB au format FAT ou FAT32 uniquement).
- **Recherche** - cliquez sur cet onglet ou sur les touches **Ctrl+F** pour faire apparaître la page de recherche. Cette page vous permet de faire des recherches en utilisant les noms des éléments du BIOS. Déplacez la souris sur un espace vierge et faites un clic droit pour quitter la page de recherche.

### Important

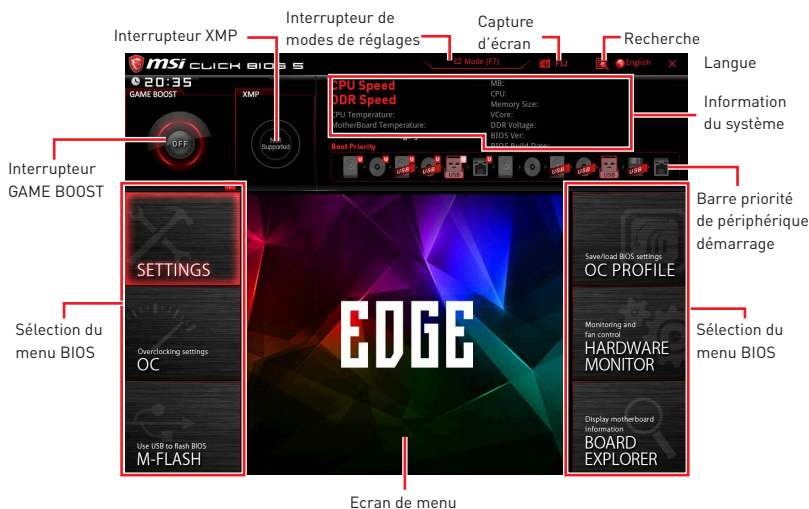
Dans la page de recherche, seules les touches de fonction **F6**, **F10** et **F12** sont disponibles.

- **Langue** - vous permet de choisir la langue du BIOS.
- **Informations du système** - montre la vitesse et la tension du processeur et de la mémoire, la température du processeur et de la carte mère, le type de carte mère et de processeur, la capacité mémoire, la version du BIOS et la date d'installation.
- **Barre priorité de périphérique démarrage** - vous pouvez déplacer les icônes dédiés aux périphériques pour modifier la priorité au démarrage. Le sens de la priorité va de gauche à droite.

- **Ecran d'informations** - cliquez sur les boutons **CPU (Processeur)**, **Memory (Mémoire)**, **Storage (Stockage)**, **Fan Info (Info ventilateurs)** et **Help (Aide)** à gauche de la fenêtre pour obtenir les informations respectives.
- **Boutons de fonction** - en cliquant sur leur bouton respectif, vous pourrez activer les fonctions **LAN Option ROM**, **M.2/ Optane Genie**, **HD audio controller**, **AHCI/ RAID**, **CPU Fan Fail Warning Control** et **BIOS Log Review**.
- **M-Flash** - cliquez sur ce bouton pour faire apparaître le menu **M-Flash** qui fournit la méthode de mise à jour BIOS à l'aide d'un disque flash USB.
- **Moniteur de matériel** - cliquez sur ce bouton pour faire apparaître le menu **Moniteur de matériel** qui vous permet de contrôler manuellement la vitesse des ventilateurs.
- **Le menu Favoris** - appuyez sur la touche **F3** pour entrer dans le menu **Favoris**. Il vous permet de créer un menu BIOS personnalisé où vous pourrez sauvegarder et accéder à vos réglages favoris ou fréquemment utilisés.
  - **Default HomePage** (page d'accueil par défaut) -vous permet de choisir l'un des menus du BIOS (par exemple, Réglages, OC, etc.) comme page d'accueil.
  - **Favoris 1 ~ 5 page** - vous permettent d'afficher les menus de réglages BIOS fréquemment utilisés ou les favoris sur une seule page.
  - **Ajouter les menus BIOS sur une seule page des favoris (Favoris 1~5)**
    1. Déplacez la souris sur un élément du BIOS, pas seulement dans le menu du BIOS mais également sur la page de recherche.
    2. Faites un clic droit ou appuyez sur la touche **F2**.
    3. Choisissez une page de favoris et cliquez sur **OK**.
  - **Supprimer un paramètre du BIOS de la page des favoris**
    1. Déplacez la souris sur un élément du BIOS sur la page des favoris (Favoris 1~5).
    2. Faites un clic droit ou appuyez sur la touche **F2**.
    3. Choisissez **Delete (Effacer)** et cliquez sur **OK**.

## Advanced Mode (mode avancé)

Appuyez sur le **Setup Mode switch (interrupteur de modes de réglages)** ou sur la touche de fonction **F7** pour commuter entre le mode simplifié et le mode avancé.



Ecran de menu

• **Interrupteur GAME BOOST/ Interrupteur XMP/ Interrupteur de modes de réglages/ Capture d'écran/ Favoris/ Langue/ Information du système/ Barre priorité de périphérique démarrage** - veuillez vous référer à la partie EZ mode pour plus de précision.

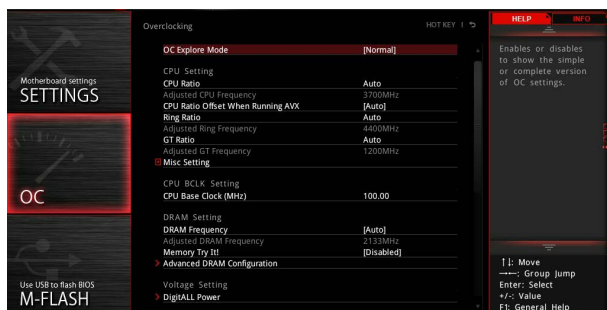
• **Sélection du menu BIOS** - les options suivantes sont disponibles :

- **SETTINGS (Réglages)** - permet de personnaliser les paramètres du chipset et du démarrage des périphériques.
- **OC** - permet d'ajuster la fréquence et la tension. L'augmentation de la fréquence peut améliorer les performances.
- **M-FLASH** - permet de mettre le BIOS à jour avec un lecteur flash USB.
- **OC PROFILE** - permet de gérer les profils d'overclocking.
- **HARDWARE MONITOR (Moniteur de matériel)** - permet de régler la vitesse des ventilateurs et de surveiller la tension du système.
- **BOARD EXPLORER** - fournit des informations sur les périphériques installés sur la carte mère.

• **Ecran de menu** - affiche les menus de réglages BIOS et les informations à configurer.

## OC Menu (menu overclocking)

Ce menu est destiné aux utilisateurs avancés souhaitant overclocker leur carte mère.



### Important

- L'overclocking manuel du PC n'est recommandé que pour les utilisateurs avancés.
- L'overclocking n'est pas garanti et une mauvaise manipulation peut rendre nulle votre garantie et sévèrement endommager votre matériel.
- Si vous n'êtes pas familier avec l'overclocking, nous vous recommandons d'utiliser **GAME BOOST** pour un overclocking simplifié et plus stable.

#### ► OC Explore Mode [Normal]

Active ou désactive le mode Normal ou Expert des réglages OC.

[Normal] Fournit les réglages OC standards dans les réglages BIOS.

[Expert] Fournit les réglages OC avancés pour les utilisateurs avancés et à configurer dans les réglages BIOS.

Remarque : Nous utilisons le symbole \* pour indiquer les réglages OC du mode Expert.

#### ► CPU Ratio [Auto]

Définit le ratio servant à déterminer la vitesse d'horloge du processeur. Cet article n'apparaît que lorsque **CPU Ratio Apply Mode** mis à **All Core**.

#### ► Adjusted CPU Frequency

Montre la fréquence ajustée du processeur. Fonctionne en lecture seule.

#### ► CPU Ratio Offset When Running AVX [Auto]

Définit une valeur de décalage pour réduire le ratio du cœur CPU. Cela est utile pour la dissipation de chaleur lors de l'exécution du jeu d'instruction AVX. Mis en Auto, le BIOS configure ce réglages automatiquement. Ce menu apparaît lorsque le processeur installé prend cette fonction en charge.

#### ► Ring Ratio [Auto]

Définit le ratio Ring (soit du cache du processeur). La gamme de valeurs valides dépend du processeur installé.

#### ► Adjusted Ring Frequency

Montre la fréquence Ring modifiée. Fonctionne en lecture seule.

### ► GT Ratio [Auto]

Règle le ratio de la puce graphique intégrée. La gamme de valeur valides dépend du processeur installé.

### ► Adjusted GT Frequency

Montre la fréquence de la puce graphique intégrée modifiée. Fonctionne en lecture seule.

### ► Misc Setting\*

Appuyez sur les touches Entrée et + ou - pour ouvrir ou fermer les 3 paramètres suivants, relatifs aux fonctionnalités du processeur.

#### ► EIST [Enabled]\*

Active ou désactive la technologie Enhanced Intel® SpeedStep Technology.

[Enabled] Active la technologie EIST pour ajuster la tension du processeur et de la fréquence du cœur de manière dynamique. Cela diminue la consommation d'énergie et la production de chaleur moyennes.

[Disabled] Désactive EIST.

#### ► Intel Turbo Boost [Enabled]\*

Active ou désactive Intel® Turbo Boost. Ce menu apparaît lorsque le processeur installé prend cette fonction en charge.

[Enabled] Active la fonction d'augmentation automatique des performances du processeur afin de dépasser la limite définie lorsque le système exige un niveau de performances plus élevé.

[Disabled] Désactive cette fonction.

#### ► Enhanced Turbo [Auto]\*

Enables or disables Enhanced Turbo function for all CPU cores to boost CPU

Active ou désactive la fonction Enhanced Turbo pour tous les cœurs du processeur afin d'augmenter les performances du processeur. Ce menu apparaît lorsque le processeur installé prend cette fonction en charge.

[Auto] Ce réglage est configure automatiquement par le BIOS.

[Enabled] Le ratio de tous les cœurs du processeur sont augmentes au maximum.

[Disabled] Désactive cette fonction.

### ► CPU Base Clock (MHz) [Default]

Définit la fréquence de base du processeur. Vous pouvez overclocker le processeur en ajustant sa valeur. Veuillez noter que les résultats de l'overclocking ne sont pas garantis. Ce menu est seulement disponible si le processeur installé supporte cette fonction.

### ► Extreme Memory Profile (X.M.P.) [Disabled]

La technologie d'overclocking X.M.P. (Extreme Memory Profile) permet un overclocking par l'intermédiaire du module de mémoire. Activez la technologie XMP ou sélectionnez un profil de module de mémoire pour overclocker la mémoire. Ce menu est seulement disponible si vous disposez de modules de mémoire prenant en charge la technologie XMP.

### ► DRAM Frequency [Auto]

Définit la fréquence de la mémoire. Veuillez noter que les résultats de l'overclocking ne sont pas garantis.

### ► Adjusted DRAM Frequency

Affiche la fréquence ajustée de la mémoire. Fonctionne en lecture seule.

### ► Memory Try It ! [Disabled]

Memory Try It! permet d'améliorer la compatibilité ou les performances en optimisant les préreglages de la mémoire.

### Advanced DRAM Configuration

Appuyez sur la touche **Entrée** pour entrer dans le sous-menu. L'utilisateur peut régler la synchronisation de mémoire de chaque barrette de mémoire. Le système peut être instable ou peut ne plus redémarrer après le changement de la synchronisation de la mémoire. Dans ce cas-là, veuillez effacer les données CMOS et remettre les réglages par défaut (référez-vous à la section cavalier/ bouton Clear CMOS pour effacer les données CMOS et entrez ensuite dans le BIOS pour charger les réglages par défaut).

### ► Memory Fast Boot [Auto]\*

Active ou désactive l'initialisation et le test de la mémoire à chaque démarrage.

[Auto] Ce réglage est automatiquement configuré par le BIOS.

[Enabled] La mémoire imitera complètement l'archive de la première initiation et la première formation. La mémoire n'est ensuite plus initialisée ni testée au moment du démarrage, de façon à accélérer le démarrage du système.

[Disabled] La mémoire est initialisée et testée à chaque démarrage.

### ► DigitALL Power

Appuyez sur la touche Entrée pour entrer dans le sous-menu. Dans le sous-menu, vous pouvez installer des conditions de protection sur tension/ courant/ température pour le processeur.

### ► CPU Voltages control [Auto]

Permet de définir les tensions relatives au processeur. En mode **Auto**, le BIOS configure ces tensions automatiquement. Vous pouvez également les paramétrer manuellement.

### ► DRAM Voltages control [Auto]

Permet de définir les tensions relatives à la mémoire. En mode **Auto**, le BIOS configure ces tensions automatiquement. Vous pouvez également les paramétrer manuellement.

### ► CPU Memory Changed Detect [Enabled]\*

Active ou désactive les messages d'alerte système au démarrage suite au remplacement du processeur ou de la mémoire.

[Enabled] Le système montre un message d'alerte pendant le démarrage et vous devez charger les réglages par défaut pour les nouveaux périphériques.

[Disabled] Désactive cette fonction et garde les réglages BIOS actuels.

### ► CPU Specifications

Appuyez sur la touche **Entrée** pour accéder au sous-menu. Ce sous-menu affiche les caractéristiques du processeur installé. Vous pouvez également accéder à ce sous-menu à tout moment en appuyant sur la touche [F4]. Fonctionne en lecture seule.

### ► CPU Technology Support

Appuyez sur la touche **Entrée** pour accéder au sous-menu. Ce sous-menu affiche les principales fonctions et technologies prises en charge par le processeur installé. Fonctionne en lecture seule.

#### ► **MEMORY-Z**

Appuyez sur la touche **Entrée** pour accéder au sous-menu. Ce sous-menu affiche tous les réglages et timings de la mémoire installée. Vous pouvez également accéder à ce sous-menu à tout moment en appuyant sur la touche [F5].

##### ► **DIMMA1/A2/B1/B2 Memory SPD**

Appuyez sur la touche **Entrée** pour accéder au sous-menu. Ce sous-menu affiche les caractéristiques de la mémoire installée. Fonctionne en lecture seule.

#### ► **CPU Features**

Appuyez sur la touche **Entrée** pour accéder au sous-menu.

##### ► **Hyper-Threading [Enabled]**

La technologie d'hyper-threading traite chaque cœur processeur comme un processeur logique indépendant doté de ses propres données et permet de les faire fonctionner de manière simultanée. Ainsi, les performances système sont grandement améliorées. Cette fonction ne sera utilisable que si le processeur installé y est compatible.

[Enabled] Active la technologie Intel Hyper-Threading.

[Disabled] Désactive la fonction si le système n'y est pas compatible.

##### ► **Active Processor Cores Control [All]**

Vous permet de choisir le nombre des coeurs actifs.

##### ► **Limit CPUID Maximum [Disabled]**

Active ou désactive la valeur CPUID maximum.

[Enabled] Le BIOS limite la valeur maximale d'entrée de CPUID pour contourner le problème de démarrage avec un système d'exploitation ne prenant pas en charge le processeur doté d'une valeur CPUID plus élevée.

[Disabled] Utilise la valeur maximale d'entrée de CPUID actuelle.

##### ► **Intel Virtualization Tech [Enabled]**

Active ou désactive la technologie Intel Virtualization.

[Enabled] Active la technologie Intel Virtualization et autoriser une plate-forme visant à faire fonctionner plusieurs systèmes d'exploitation dans des partitions indépendentes. Le système peut fonctionner virtuellement comme des systèmes multiples.

[Disabled] Désactive cette fonction.

##### ► **Intel VT-D Tech [Disabled]**

Active ou désactive la technologie Intel VT-D (Intel Virtualization for Direct I/O).

##### ► **Hardware Prefetcher [Enabled]**

Active ou désactive le prefetcher matériel (MLC Streamer prefetcher).

[Enabled] Permet au prefetcher matériel d'acquérir automatiquement les données et les instructions dans le cache L2 de la mémoire pour ajuster les performances du processeur.

[Disabled] Désactive le prefetcher matériel.

#### ► **Adjacent Cache Line Prefetch [Enabled]**

Enables or disables the CPU hardware prefetcher (MLC Spatial prefetcher).

[Enabled] Enables adjacent cache line prefetching for reducing the cache latency time and tuning the performance to the specific application.

[Disabled] Enables the requested cache line only.

#### ► **CPU AES Instructions [Enabled]**

Enables or disables the CPU AES (Advanced Encryption Standard-New Instructions) support. This item appears when a CPU supports this function.

#### ► **Intel Adaptive Thermal Monitor [Enabled]**

Active ou désactive la fonction de régulation adaptative de la température du moniteur Intel pour protéger le processeur contre la surchauffe.

[Enabled] Ralentit l'horloge du cœur processeur lorsque sa température dépasse la température du régulateur adaptatif.

[Disabled] Désactive cette fonction.

#### ► **Intel C-State [Auto]**

Activez ou désactivez Intel C-state. Intel C-state est une technologie de gestion d'alimentation du processeur définie par l'interface ACPI.

[Auto] Ce réglage est configuré automatiquement par le BIOS.

[Enabled] Détecte quand le système est inactif et réduit en conséquence la consommation d'énergie du processeur.

[Disabled] Désactive cette fonction.

#### ► **C1E Support [Disabled]**

Active ou désactive la fonction C1E pensée pour économiser l'énergie. En effet, le système d'exploitation envoie une requête au processeur pour le forcer à s'arrêter. Ce menu apparaît lorsque **Intel C-State** est activé.

[Enabled] Active la fonction C1E pour réduire la fréquence et la tension du processeur et visant à économiser l'énergie quand le système est éteint.

[Disabled] Désactive cette fonction.

#### ► **Package C State limit [Auto]**

Ce menu permet de choisir un mode C-state du processeur pour économiser l'énergie lorsque le système est en veille. Ce menu apparaît lorsque la fonction **Intel C-State** est activée.

#### ► **CFG Lock [Enabled]**

Verrouille ou déverrouille la fonction MSR 0xE2[15], CFG lock bit.

[Enabled] Verrouille le CFG lock bit.

[Disabled] Déverrouille le CFG lock bit.

#### ► **EIST [Enabled]**

Active ou désactive Enhanced Intel® SpeedStep Technology. Ce menu apparaît lorsque OC Explore Mode est mis en Normal.

[Enabled] Active la technologie EIST pour ajuster la tension du processeur et de la fréquence du cœur de manière dynamique. Cela diminue la consommation d'énergie et la production de chaleur moyennes.

[Disabled] Désactive la technologie EIST.



► **Intel Turbo Boost [Enabled]**

Active ou désactive la technologie Intel® Turbo Boost. Cette fonction est pensée pour le mode Normal et apparaît lorsque le processeur installé prend cette fonction en charge.

[Enabled] Active la fonction d'augmentation automatique des performances du processeur afin de dépasser limite définie lorsque le système exige un niveau de performances plus élevée.

[Disabled] Désactive cette fonction.

► **Long Duration Power Limit (W) [Auto]**

Définit le niveau d'alimentation maximum que le TDP (enveloppe thermique) du processeur peut supporter sur une longue période et en mode Turbo Boost.

► **Long Duration Maintained (s) [Auto]**

Définit la durée d'utilisation de la fonction Long Duration Power Limit (W).

► **Short Duration Power Limit (W) [Auto]**

Définit le niveau d'alimentation maximum que le TDP (enveloppe thermique) du processeur peut supporter sur une courte période et en mode Turbo Boost.

► **CPU Current Limit (A) [Auto]**

Définit le niveau d'alimentation maximum du package du processeur en mode Turbo Boost. Lorsque cette valeur est supérieure à une valeur définie, le processeur réduit automatiquement la fréquence du cœur pour réduire la consommation d'énergie.

► **FCLK Frequency [Auto]**

Définit la fréquence du signal d'horloge pour mettre sous en tension tôt. Une fréquence FCLK réduite peut vous aider à conserver une fréquence de base élevée.

► **DMI Link Speed [Auto]**

Définit la vitesse de l'interface DMI (Direct Media Interface), qui relie la partie Northbridge de la carte à la partie Southbridge.

► **SW Guard Extensions (SGX) [Software Control]**

Active ou désactive Intel SGX.

► **Intel Speed Shift Technology [Auto]**

Activer ou désactiver Intel Speed Shift Technology. Il peut optimiser l'efficacité énergétique. Cet article est uniquement disponible avec le processeur qui prend en charge cette technologie.



# Содержание

<b>Безопасное использование продукции.....</b>	<b>3</b>
<b>Технические характеристики .....</b>	<b>4</b>
Технические характеристики разъема JCORSAIR1 .....	9
<b>Комплект поставки.....</b>	<b>9</b>
<b>Задняя панель портов ввода/ вывода .....</b>	<b>10</b>
Таблица состояний индикатора порта LAN .....	10
Конфигурация портов Аудио.....	10
Realtek Audio Console .....	11
<b>Компоненты материнской платы .....</b>	<b>14</b>
Процессорный сокет .....	15
Слоты DIMM .....	16
PCI_E1~5: Слоты расширения PCIe.....	17
M2_1~2: Разъемы M.2 (Ключ M).....	19
SATA1~6: Разъемы SATA 6Гб/с .....	20
CPU_PWR1~2, ATX_PWR1: Разъемы питания .....	22
JFP1, JFP2: Разъемы передней панели .....	23
JUSBC1: Разъем USB 3.1 Gen2 Type-C .....	23
JUSB1~2: Разъемы USB 3.1 Gen1 .....	24
JUSB3~4: Разъемы USB 2.0.....	24
CPU_FAN1, PUMP_FAN1, SYS_FAN1~5: Разъемы вентиляторов.....	25
JAUD1: Разъем аудио передней панели.....	26
JCI1: Разъем датчика открытия корпуса .....	26
JTPM1: Разъем модуля TPM .....	27
JCOM1: Разъем последовательного порта .....	27
JTBT1: Разъем для установки карты расширения Thunderbolt.....	27
JRGB1~2, JRAINBOW1: Разъемы RGB LED .....	28
JCORSAIR1: Разъем CORSAIR .....	29
JBAT1: Джемпер очистки данных CMOS (Сброс BIOS).....	30
<b>Встроенные индикаторы.....</b>	<b>31</b>
Индикаторы отладки EZ.....	31
Индикаторы DIMM .....	31
Индикатор XMP.....	31
JPWRLED1: Индикатор подключения питания.....	31
<b>Установка ОС, драйверов и утилит .....</b>	<b>32</b>
Установка Windows® 10.....	32
Установка драйверов .....	32

Установка утилит .....	32
<b>Настройка BIOS .....</b>	<b>33</b>
Вход в настройки BIOS .....	33
Сброс BIOS .....	34
Обновление BIOS.....	34
Режим EZ .....	35
Режим разгона .....	37
Меню ОС .....	38

# Безопасное использование продукции

- Компоненты, входящие в комплект поставки могут быть повреждены статическим электричеством. Для успешной сборки компьютера, пожалуйста, следуйте указаниям ниже.
- Убедитесь, что все компоненты компьютера подключены должным образом. Ослабленные соединения компонентов могут привести как к сбоям в работе, так и полной неработоспособности компьютера.
- Чтобы избежать повреждений компонентов платы всегда держите ее за края.
- При сборке компьютера рекомендуется пользоваться электростатическим браслетом. В случае, если это невозможно, перед работой с платой снимите электростатический заряд со своего тела, прикоснувшись к металлическому предмету.
- В случае, если материнская плата не установлена в корпус, храните ее в антистатической упаковке или на антистатическом коврике.
- Перед включением компьютера убедитесь, что все винты крепления и другие металлические компоненты на материнской плате и внутри корпуса надежно зафиксированы.
- Не включайте компьютер, если сборка не завершена. Это может привести к повреждению компонентов, а также травмированию пользователя.
- Если вам нужна помощь на любом этапе сборки компьютера, пожалуйста, обратитесь к сертифицированному компьютерному специалисту.
- Всегда выключайте питание и отсоединяйте шнур питания от электрической розетки перед установкой или удалением любого компонента компьютера.
- Сохраните это руководство для справки.
- Не допускайте воздействия на материнскую плату высокой влажности.
- Перед тем как подключить блок питания компьютера к электрической розетке убедитесь, что напряжение электросети соответствует напряжению, указанному на блоке питания.
- Располагайте шнур питания так, чтобы на него не могли наступить люди. Не ставьте на шнур питания никаких предметов.
- Необходимо учитывать все предостережения и предупреждения, указанные на материнской плате.
- При возникновении любой из перечисленных ниже ситуаций обратитесь в сервисный центр для проверки материнской платы:
  - Попадание жидкости внутрь компьютера.
  - Материнская плата подверглась воздействию влаги.
  - Материнская плата не работает должным образом или невозможно наладить ее работу в соответствии с руководством пользователя.
  - Материнская плата получила повреждения при падении.
  - Материнская плата имеет явные признаки повреждения.
- Не храните материнскую плату в местах с температурой выше 60 °C (140 °F), так как это может привести к ее повреждению.

# Технические характеристики

<b>Процессор</b>	<p>Поддержка процессоров Intel® Core™ 9000-й серии / Intel® Core™ 8-го поколения / Pentium® Gold / Celeron® для сокета LGA 1151</p> <p>* Пожалуйста, обратитесь <a href="http://www.intel.com">www.intel.com</a> для получения дополнительной информации о совместимости.</p>
<b>Чипсет</b>	Intel® Z390
<b>Память</b>	<ul style="list-style-type: none"> <li>• 4x слота памяти DDR4 с поддержкой до 64ГБ*</li> <li>• Поддержка DDR4 4400(OC)/ 4300(OC)/ 4266(OC)/ 4200(OC)/ 4133(OC)/ 4000(OC)/ 3866(OC)/ 3733(OC)/ 3600(OC)/ 3466(OC)/ 3400(OC)/ 3333(OC)/ 3300(OC)/ 3200(OC)/ 3000(OC) / 2800(OC)/ 2666/ 2400/ 2133 МГц*</li> <li>• Двухканальная архитектура</li> <li>• Поддержка non-ECC, небуферизованной памяти</li> <li>• Поддержка Intel® Extreme Memory Profile (XMP)</li> </ul> <p>* Пожалуйста, обратитесь <a href="http://www.msi.com">www.msi.com</a> для получения дополнительной информации о совместимых памяти.</p>
<b>Слоты расширения</b>	<ul style="list-style-type: none"> <li>• 3x слота PCIe 3.0 x16 (Поддержка режимов x16/x0/x4, x8/x8/x4)</li> <li>• 3x слота PCIe 3.0 x1</li> </ul>
<b>Встроенная графика</b>	<ul style="list-style-type: none"> <li>• 1x порт HDMI™ 1.4, с поддержкой максимального разрешения 4096x2160@24Гц</li> <li>• 1x порт DisplayPort 1.2, с поддержкой максимального разрешения 4096x2304@60Гц</li> </ul>
<b>Поддержка Multi-GPU</b>	<ul style="list-style-type: none"> <li>• Поддержка технологии 2-Way NVIDIA® SLI™</li> <li>• Поддержка технологии 3-Way AMD® CrossFire™</li> </ul>
<b>Подключение накопителей</b>	<p>Чипсет Intel® Z390</p> <ul style="list-style-type: none"> <li>• 6x портов SATA 6Гб/с*</li> <li>• 2x разъема M.2 (Ключ M)*             <ul style="list-style-type: none"> <li>▪ Поддержка PCIe 3.0 x4 и SATA 6Гб/с, накопителей 2242/ 2260/ 2280/ 22110</li> <li>▪ Поддержка памяти Intel® Optane™ **</li> </ul> </li> </ul> <p>* Разъемы M.2 и SATA используют одну полосу пропускания. Для подробностей см. на стр. 20.</p> <p>** Перед использованием модулей памяти Intel® Optane™ убедитесь, что драйверы и BIOS были обновлены до последней версии с веб-сайта MSI.</p>

Продолжение на следующей странице

Продолжение с предыдущей страницы

<b>RAID</b>	<p>Чипсет Intel® Z390</p> <ul style="list-style-type: none"> <li>• Поддержка RAID 0, RAID1, RAID 5 и RAID 10 для накопителей SATA</li> <li>• Поддержка RAID 0 и RAID 1 для накопителей M.2 PCIe</li> </ul>
<b>LAN</b>	1x Гигабитный сетевой контроллер Intel I219-V
<b>Wi-Fi и Bluetooth®</b>	<p>Модуль беспроводной связи на базе Intel® Wireless-AC 9462</p> <ul style="list-style-type: none"> <li>• Поддержка 802.11 a/b/g/n/ac, MU-MIMO Rx, 2.4ГГц/ 5ГГц со скоростью передачи до 433 Мбит/с</li> <li>• Поддержка Bluetooth®2.1, 2.1+EDR, 3.0,4.0, 5</li> </ul>
<b>USB</b>	<p>Контроллер Intel® Z390</p> <ul style="list-style-type: none"> <li>• 3x порта USB 3.1 Gen2 (SuperSpeed USB 10Гб/с) (1 порт Type-C и 1 порт Type-A на задней панели, 1 внутренний разъем Type-C)</li> <li>• 6x портов USB 3.1 Gen1 (SuperSpeed USB) (2 порта Type-A на задней панели, 4 порта доступны через внутренние разъемы USB)</li> <li>• 6x портов USB 2.0 (High-speed USB) (2 порта Type-A на задней панели, 4 порта доступны через внутренние разъемы USB)</li> </ul>
<b>Аудио</b>	<p>Realtek® ALC1220P Codec</p> <ul style="list-style-type: none"> <li>• 7.1-канальный High Definition Audio</li> <li>• Поддержка S/PDIF-out</li> </ul>
<b>Разъемы задней панели</b>	<ul style="list-style-type: none"> <li>• 1x комбинированный порт PS/2 клавиатуры/ мыши</li> <li>• 2x порта USB 2.0 Type-A</li> <li>• 1x порт DisplayPort</li> <li>• 1x порт HDMI™</li> <li>• 1x порт USB 3.1 Gen2 Type-A</li> <li>• 1x порт USB 3.1 Gen2 Type-C</li> <li>• 1x порт LAN (RJ45)</li> <li>• 2x порта USB 3.1 Gen1 Type-A</li> <li>• 2x разъемы антенны Wi-Fi</li> <li>• 5x аудиоразъемов OFC</li> <li>• 1x оптический разъем S/PDIF OUT</li> </ul>

Продолжение на следующей странице


Продолжение с предыдущей страницы

<b>Разъемы на плате</b>	<ul style="list-style-type: none"><li>• 1x 24-контактный разъем питания ATX</li><li>• 1x 8-контактный разъем питания ATX 12B</li><li>• 1x 4-контактный разъем питания ATX 12B</li><li>• 6x разъемов SATA 6Гб/с</li><li>• 1x разъем USB 3.1 Gen2 Type-C</li><li>• 2x разъема USB 3.1 Gen1 (поддержка 4-х дополнительных портов USB 3.1 Gen1)</li><li>• 2x разъема USB 2.0 (поддержка 4-х дополнительных портов USB 2.0)</li><li>• 1x 4-контактный разъем вентилятора процессора</li><li>• 1x 4-контактный разъем Water Pump</li><li>• 5x 4-контактных разъемов вентилятора системы</li><li>• 1x разъем последовательного порта</li><li>• 1x аудиоразъем передней панели</li><li>• 2x разъема системной панели</li><li>• 1x разъем для установки карты расширения Thunderbolt</li><li>• 1x разъем датчика открытия корпуса</li><li>• 1x разъем модуля TPM</li><li>• 2x 4-контактных разъема RGB LED</li><li>• 1x 3-контактный разъем RAINBOW LED</li><li>• 1x 3-контактный разъем CORSAIR LED</li></ul>
<b>Индикаторы отладки</b>	<ul style="list-style-type: none"><li>• 4x индикатора отладки EZ</li></ul>
<b>Контроллер ввода-вывода</b>	NUVOTON NCT6797
<b>Аппаратный мониторинг</b>	<ul style="list-style-type: none"><li>• Определение температуры процессора/системы</li><li>• Определение скорости вентиляторов процессора/системы</li><li>• Управление скоростью вентиляторов процессора/системы</li></ul>
<b>Форм-фактор</b>	<ul style="list-style-type: none"><li>• ATX Форм-фактор</li><li>• 9.6 x 12 дюймов (24.3 x 30.4 см)</li></ul>

Продолжение на следующей странице



Продолжение с предыдущей страницы

<b>Параметры BIOS</b>	<ul style="list-style-type: none"><li>• 1x 128 Мб флэш</li><li>• UEFI AMI BIOS</li><li>• ACPI 6.1, SMBIOS 2.8</li><li>• Мультиязычный интерфейс</li></ul>
<b>Программное обеспечение</b>	<ul style="list-style-type: none"><li>• Драйверы</li><li>• DRAGON CENTER</li><li>• MYSTIC LIGHT</li><li>• Nahimic Audio</li><li>• Open Broadcaster Software (OBS)</li><li>• CPU-Z MSI GAMING</li><li>• MSI App Player (BlueStacks)</li><li>• Intel® Extreme Tuning Utility</li><li>• Google Chrome™, Google Toolbar, Google Drive</li><li>• Norton™ Internet Security Solution</li></ul>
<b>Функции Dragon Center</b>	<ul style="list-style-type: none"><li>• GAME OPTIMIZATION</li><li>• OC Performance</li><li>• Hardware Monitor</li><li>• Eyereast</li><li>• LAN Manager</li><li>• Live Update</li></ul>  <p>Для подробностей обратитесь <a href="http://download.msi.com/manual/mb/DRAGONCENTER2.pdf">http://download.msi.com/manual/mb/DRAGONCENTER2.pdf</a>.</p>
<b>Эксклюзивные функции</b>	<ul style="list-style-type: none"><li>• Аудио<ul style="list-style-type: none"><li>▪ Audio Boost 4</li><li>▪ Nahimic 3</li><li>▪ Voice Boost</li></ul></li><li>• Сеть<ul style="list-style-type: none"><li>▪ GAMING LAN с контроллером Gaming LAN Manager</li><li>▪ Intel CNVi WiFi</li></ul></li><li>• Накопитель<ul style="list-style-type: none"><li>▪ Twin Turbo M.2</li></ul></li><li>• Вентилятор<ul style="list-style-type: none"><li>▪ Pump Fan</li><li>▪ GAMING Fan Control</li></ul></li></ul>

Продолжение на следующей странице

Продолжение с предыдущей страницы

**Эксклюзивные  
функции**

- Индикатор
  - Mystic Light
  - Mystic Light Extension (RGB)
  - Mystic Light Extension (RAINBOW)
  - Mystic Light Extension (CORSAIR)
  - Mystic light SYNC
  - EZ DEBUG LED
- Защита
  - PCI-E Steel Armor
- Производительность
  - Multi GPU – SLI Technology
  - Multi GPU – CrossFire Technology
  - DDR4 Boost
  - Core Boost
  - GAME Boost
  - USB with type A+C
  - INTEL Turbo USB 3.1 Gen 2
- VR
  - VR Ready
- Ощущение игроков
  - GAMING HOTKEY
  - GAMING MOUSE Control
  - APP Player
- BIOS
  - Click BIOS 5

## Технические характеристики разъема JCORSAIR1

Поддерживаемые продукты CORSAIR RGB	Максимальное количество подключенных устройств
RGB светодиодные полосы Lighting Node PRO	20* * При 20% яркости
Вентиляторы HD120 с RGB светодиодной подсветкой	6
Вентиляторы SP120 с RGB светодиодной подсветкой	6
Вентиляторы LL120 с RGB светодиодной подсветкой	6

## Комплект поставки

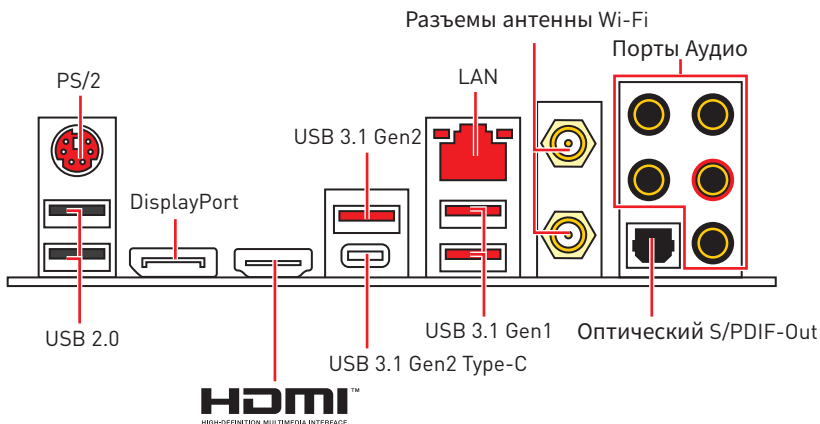
Проверьте комплект поставки материнской платы. В него должны входить следующие элементы:

Материнская плата	MPG Z390 GAMING EDGE AC	
Кабели	Кабель SATA 6Гб/с	2
	Кабель для подключения индикаторов	1
Аксессуары	Комплект антенны	1
	SLI HB BRIDGE M	1
	Винт для M.2	2
	Наклейка с логотипом	1
	Этикетки для маркировки кабелей SATA	1
	Регистрационная карточка продукта	1
	Заглушка материнской платы на заднюю панель	1
Диск с утилитами	Диск с драйверами	1
Документы	Руководство пользователя	1
	Руководство по быстрой установке	1

### **Внимание!**

Если какой-либо элемент из комплекта поставки поврежден или отсутствует, пожалуйста, свяжитесь с продавцом.

# Задняя панель портов ввода/ вывода



## Таблица состояний индикатора порта LAN

Подключение/ Работа индикатора		Скорость передачи данных								
Состояние	Описание									
Выкл.	Не подключен	<table border="1"> <thead> <tr> <th>Состояние</th> <th>Описание</th> </tr> </thead> <tbody> <tr> <td>Выкл.</td> <td>10 Мбит/с подключение</td> </tr> <tr> <td>Зеленый</td> <td>100 Мбит/с подключение</td> </tr> <tr> <td>Оранжевый</td> <td>1 Гбит/с подключение</td> </tr> </tbody> </table>	Состояние	Описание	Выкл.	10 Мбит/с подключение	Зеленый	100 Мбит/с подключение	Оранжевый	1 Гбит/с подключение
Состояние	Описание									
Выкл.	10 Мбит/с подключение									
Зеленый	100 Мбит/с подключение									
Оранжевый	1 Гбит/с подключение									
Желтый	Подключен									
Мигает	Передача данных									

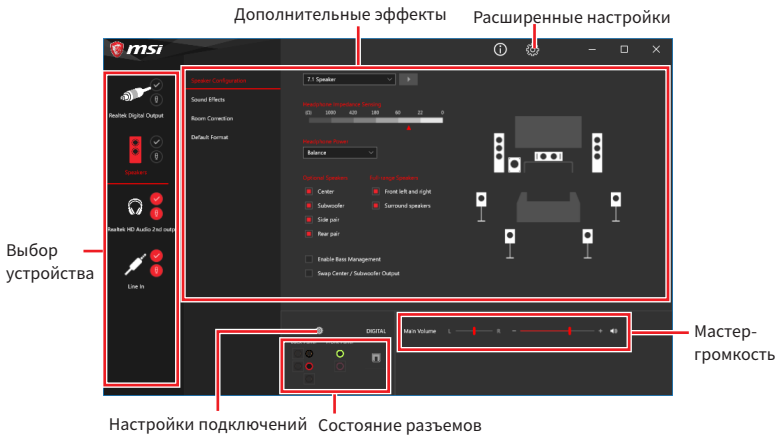
## Конфигурация портов Аудио

Порты Аудио	Канал			
	2	4	6	8
Выход центральной колонки/ сабвуфера			●	●
Тыловые колонки		●	●	●
Линейный вход/ Выход боковых колонок				●
Линейный выход/ Выход фронтальных колонок	●	●	●	●
Микрофонный вход				

●: подключен, Пусто: не подключен

## Realtek Audio Console

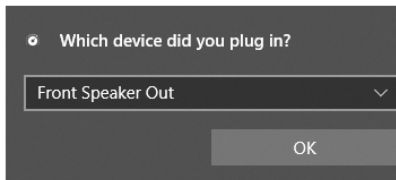
После установки Realtek Audio Console вы можете использовать его для изменения параметров звука, чтобы улучшить качество звука.



- **Выбор устройства** - позволяет выбрать источник аудио выхода и изменить соответствующие параметры. Отмеченное устройство будет использоваться по умолчанию.
- **Дополнительные эффекты** - это список опций по настройке звуковых эффектов для входного и выходного сигнала аудио устройства.
- **Мастер-громкость** - регулирует громкость или баланс правой и левой колонок, подключенных к передней или задней панели.
- **Расширенные настройки** - обеспечивают работу с двумя независимыми потоками аудио.
- **Состояние разъемов** - отображает все устройства воспроизведения и записи, подключенные к компьютеру.
- **Настройки подключений** - настраивают параметры подключения.

### Автоматическое всплывающее диалоговое окно

При подключении устройства к разъему аудио появится диалоговое окно с просьбой подтвердить подключенное устройство.



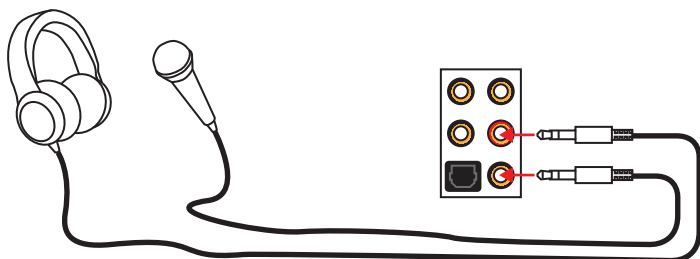
Каждый разъем соответствует его настройкам по умолчанию, как показано на следующей странице



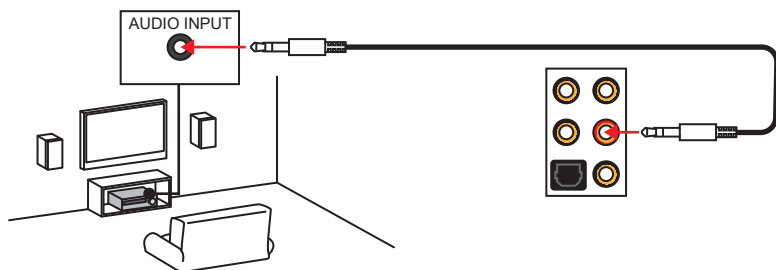
**Внимание!**

Изображения приведены исключительно в справочных целях и могут отличаться от фактических.

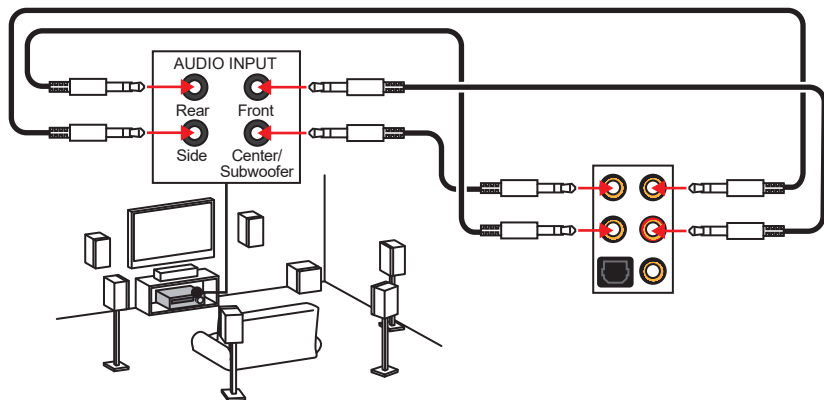
## Подключение наушников и микрофона



## Подключение внешнего стерео усилителя (колонок)

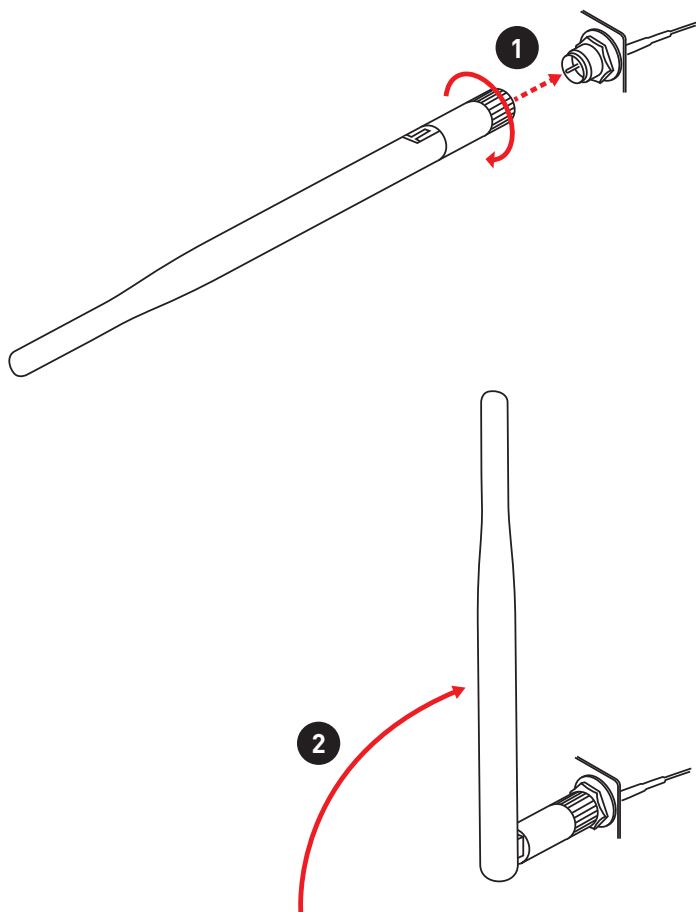


## Подключение звуковой системы 7.1

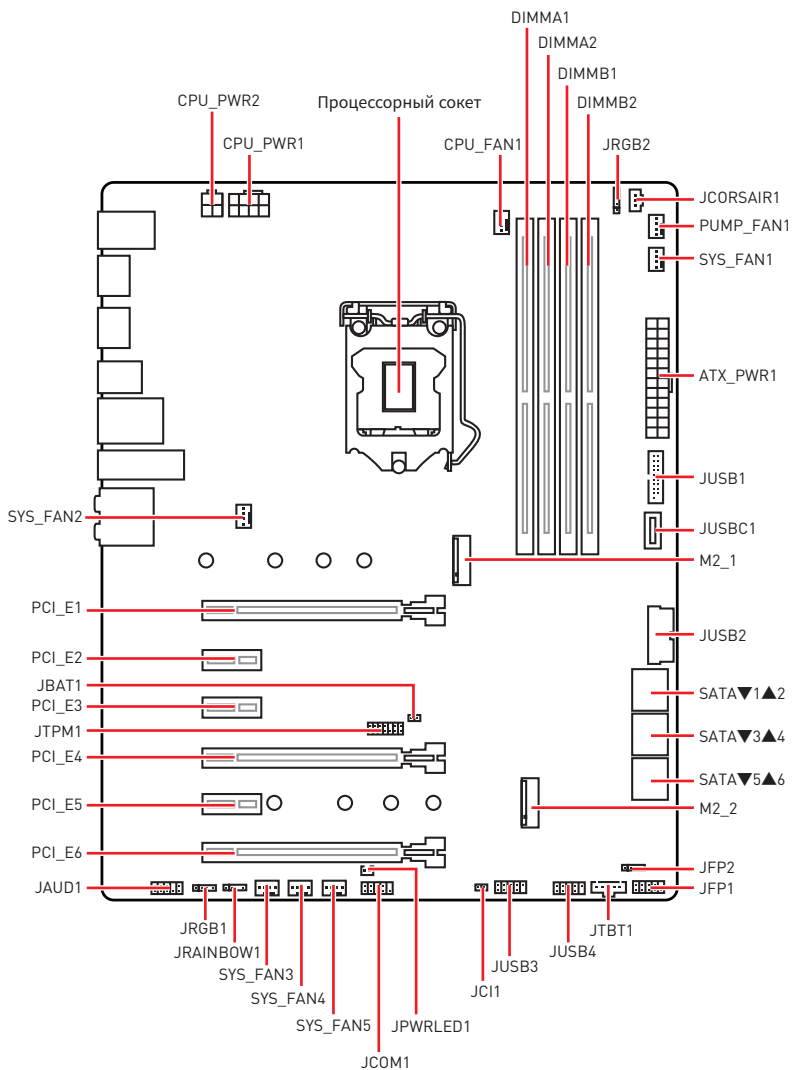


## Установка антенн

1. Прикрутите антенны к антенным разъемам, как показано ниже.
2. Сориентируйте антенны.

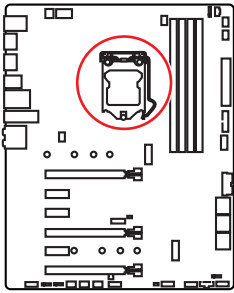


# Компоненты материнской платы

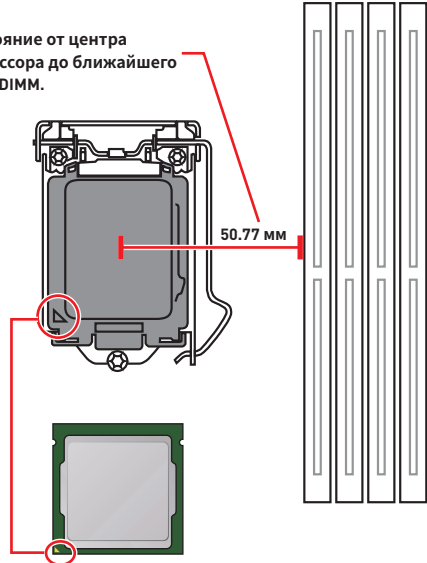




## Процессорный socket



Расстояние от центра процессора до ближайшего слота DIMM.



## Процессор LGA 1151

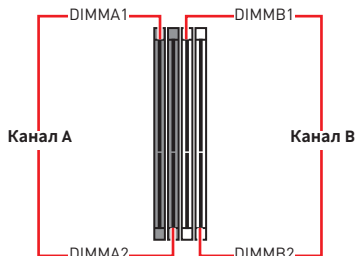
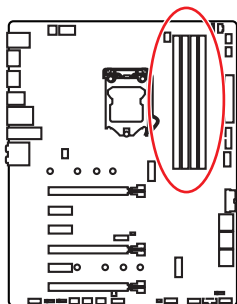
На поверхности процессора LGA 1151 имеются две **выемки** и **золотой треугольник** для правильной установки процессора относительно процессорного сокета материнской платы. Золотой треугольник указывает на контакт 1.



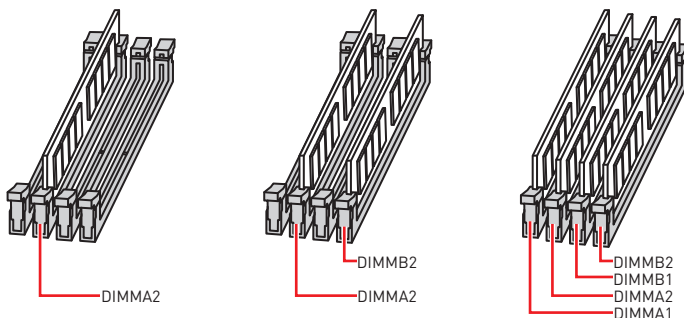
### Внимание!

- Перед установкой или заменой процессора, необходимо отключить кабель питания.
- Пожалуйста, сохраните защитную крышку процессорного сокета после установки процессора. Любые возможные гарантийные случаи, связанные с работой материнской платы, MSI® будет рассматривать только, при наличии защитной крышки на процессорном сокете.
- При установке процессора обязательно установите процессорный кулер. Кулер, представляющий собой систему охлаждения процессора, предотвращает перегрев и обеспечивает стабильную работу системы.
- Перед включением системы проверьте герметичность соединения между процессором и радиатором.
- Перегрев может привести к серьезному повреждению процессора и материнской платы. Всегда проверяйте работоспособность вентилятора для защиты процессора от перегрева. При установке кулера нанесите ровный слой термопасты (или термопасты) на крышку установленного процессора для улучшения теплопередачи.
- Если процессор не установлен, всегда защищайте контакты процессорного сокета пластиковой крышкой.
- Если вы приобрели отдельно процессор и процессорный кулер, подробное описание установки см. в документации в данном кулере.
- Данная системная плата разработана с учетом возможности ее «разгона». Перед выполнением разгона системы убедитесь в том, что все компоненты системы смогут его выдержать. Производитель не рекомендует использовать параметры, выходящие за пределы технических характеристик устройств. Гарантия MSI® не распространяется на повреждения и другие возможные последствия ненадлежащей эксплуатации оборудования.

## Слоты DIMM



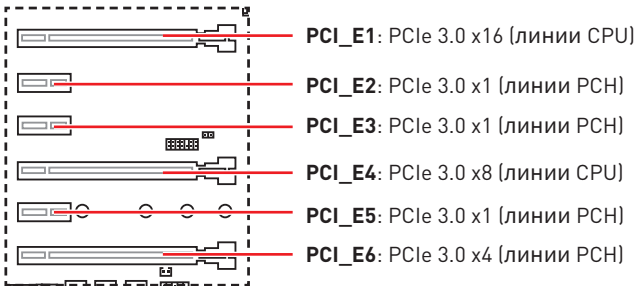
## Рекомендации по установке модулей памяти



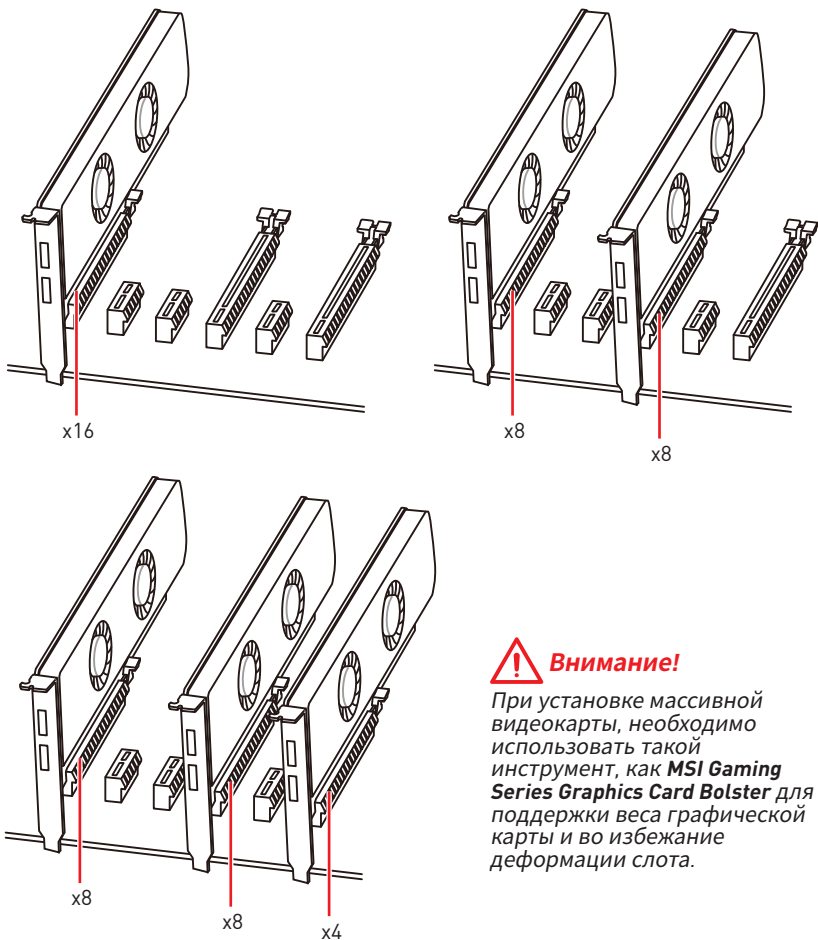
### **Внимание!**

- Всегда устанавливайте модуль памяти сначала в слот **DIMMA2**.
- В связи со спецификой использования ресурсов чипсета, доступный объем памяти будет немного меньше, чем объем установленный.
- На основе характеристик процессора, рекомендуется устанавливать напряжение на памяти DIMM менее 1.35 В. Это позволит защитить процессор.
- Пожалуйста, обратите внимание на то, что максимальная емкость адресуемой памяти для 32-бит ОС Windows, составляет не более 4 ГБ. Если вы хотите использовать более 4ГБ оперативной памяти на материнской плате, рекомендуется устанавливать 64-бит ОС Windows.
- Некоторые модули памяти при разгоне могут работать на частотах ниже заявленной производителем, поскольку выставляемая для памяти частота зависит от информации, записанной в SPD (Serial Presence Detect). Зайдите в BIOS и выберите опцию **Memory Try It!**, чтобы установить заявленную или более высокую частоту.
- При установке памяти во все слоты, а также при ее разгоне, рекомендуется использовать более эффективную систему охлаждения памяти.
- Совместимость и стабильность работы установленного модуля памяти при разгоне зависит от установленного процессора и других устройств.

## PCI\_E1~5: Слоты расширения PCIe



## Рекомендации по установке нескольких видеокарт



### ⚠ Внимание!

При установке массивной видеокарты, необходимо использовать такой инструмент, как **MSI Gaming Series Graphics Card Bolster** для поддержки веса графической карты и во избежание деформации слота.

## **Внимание!**

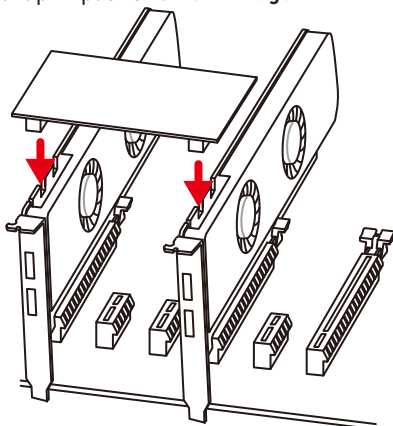
- Для установки одной карты расширения PCIe x16 с оптимальной производительностью рекомендуется использовать слот **PCI\_E1**.
- Перед установкой или извлечением плат расширения убедитесь, что кабель питания отключен от электрической сети. Прочтите документацию на карту расширения и выполните необходимые дополнительные аппаратные или программные изменения для данной карты.

## Установка видеокарт в режиме SLI

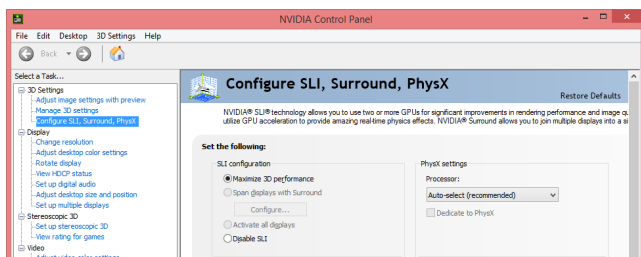
Для выполнения рекомендаций по питанию видеокарт в SLI конфигурациях, пожалуйста, обратитесь к руководству пользователя вашей видеокарты, чтобы убедиться, что она соответствует всем требованиям системы.

Для установки видеокарт в SLI:

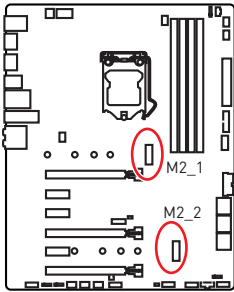
1. Выключите компьютер и отсоедините шнур питания. Установите две видеокарты в слот **PCI\_E1** и **PCI\_E4**.
2. Соедините видеокарты разъемом **SLI Bridge**.



3. Подключите все разъемы питания PCIe видеокарт.
4. Подключите кабель питания, включите компьютер, установите драйверы и программное обеспечение из комплекта поставки видеокарты.
5. Щелкните правой кнопкой мыши на Рабочем столе Windows и выберите **NVIDIA Control Panel** из раскрывшегося меню. Нажмите на **Configure SLI, Surround, PhysX** в левой панели задач и выберите **Maximize 3D performance** в меню конфигурации SLI, а затем нажмите кнопку **Apply**.



## M2\_1~2: Разъемы M.2 (Ключ M)



### ⚠ Внимание!

- Intel® RST только поддерживает PCIe M.2 SSD с UEFI ROM.
- Технология Intel® Optane™ Memory совместима с любыми слотами M.2.



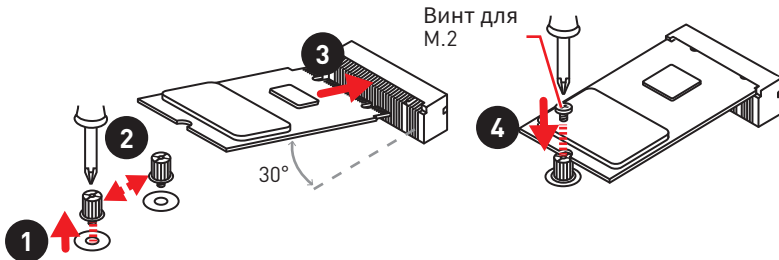
### ▶ Видео Инструкция

Смотрите видео, чтобы узнать как установить модуль M.2.

<http://youtu.be/JCTFABYtrYA>

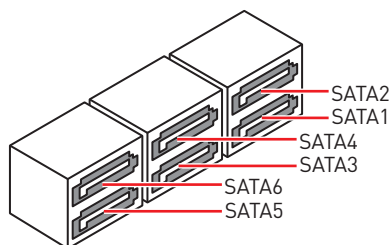
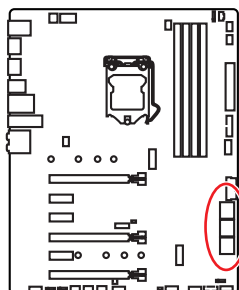
### Установка M.2 SSD

1. Выкрутите стойку для крепления M.2 модуля из материнской платы.
2. Закрутите стойку для крепления M.2 модуля в подходящее отверстие, в соответствии с длиной вашего M.2 SSD.
3. Вставьте M.2 SSD в разъем M.2 под углом 30 градусов.
4. Закрепите M.2 SSD с помощью прилагаемого винта для M.2.



## SATA1~6: Разъемы SATA 6Гб/с

Эти разъемы представляют собой интерфейсные порты SATA 6Гб/с. К каждому порту можно подключить одно устройство SATA.



### **Внимание!**

- Избегайте перегибов кабеля SATA под прямым углом. В противном случае, возможна потеря данных при передаче.
- Кабели SATA оснащены одинаковыми коннекторами с обеих сторон. Однако, для экономии занимаемого пространства к материнской плате рекомендуется подключать плоский разъем.

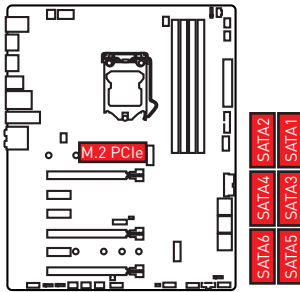
## Рекомендации по установке устройств M.2 и SATA

Слот	Доступные разъемы SATA					
	PCIe	SATA	PCIe	SATA	PCIe	SATA
M2_1	PCIe	SATA	PCIe	SATA	PCIe	SATA
M2_2	PCIe	PCIe	SATA	SATA	—	—
SATA1	✓	✓	✓	✓	✓	✓
SATA2	✓	—	✓	—	✓	—
SATA3	✓	✓	✓	✓	✓	✓
SATA4	✓	✓	✓	✓	✓	✓
SATA5	—	—	—	—	✓	✓
SATA6	—	—	✓	✓	✓	✓

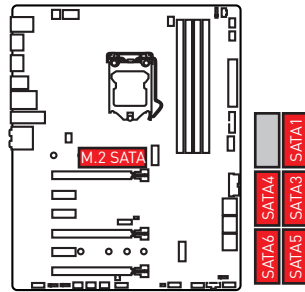
[SATA: M.2 SATA SSD, PCIe: M.2 PCIe SSD, ✓: доступно, —: недоступно]

## Разъемы M.2 и различные возможные примеры использования

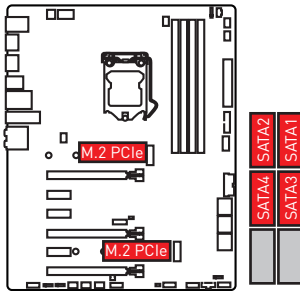
1xM.2 PCIe SSD + 6xSATA HDDs



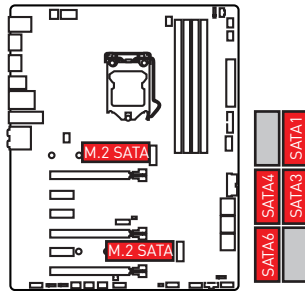
1xM.2 SATA SSD + 5xSATA HDDs



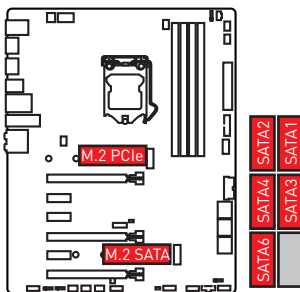
2xM.2 PCIe SSDs + 4xSATA HDDs



2xM.2 SATA SSDs + 4xSATA HDDs

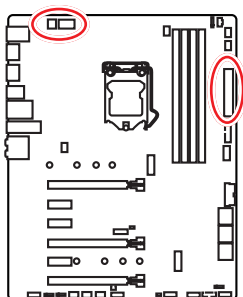


1xM.2 PCIe SSD + 1xM.2 SATA SSD + 5xSATA HDDs



## CPU\_PWR1~2, ATX\_PWR1: Разъемы питания

Данные разъемы предназначены для подключения блока питания АТХ.



CPU_PWR1			
1	Ground	5	+12V
2	Ground	6	+12V
3	Ground	7	+12V
4	Ground	8	+12V

CPU_PWR2			
1	Ground	3	+12V
2	Ground	4	+12V

ATX_PWR1			
1	+3.3V	13	+3.3V
2	+3.3V	14	-12V
3	Ground	15	Ground
4	+5V	16	PS-ON#
5	Ground	17	Ground
6	+5V	18	Ground
7	Ground	19	Ground
8	PWR OK	20	Res
9	5VSB	21	+5V
10	+12V	22	+5V
11	+12V	23	+5V
12	+3.3V	24	Ground

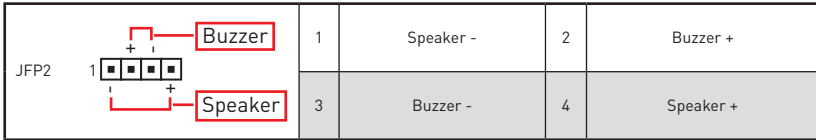
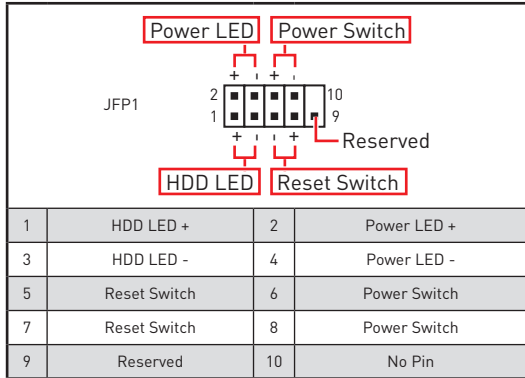
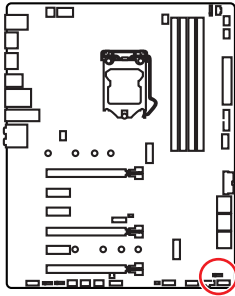
### **Внимание!**

Для обеспечения стабильной работы системной платы проверьте надежность подключения всех кабелей питания к блоку питания АТХ.



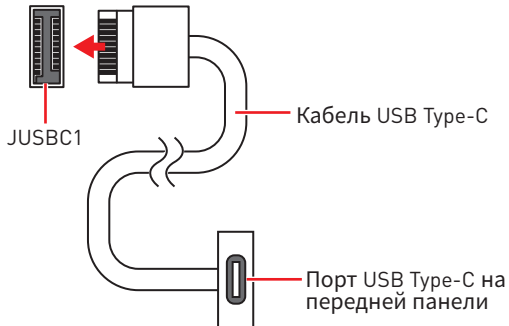
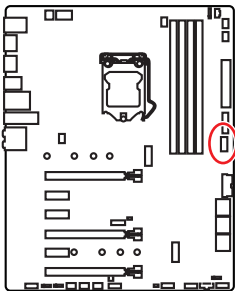
## JFP1, JFP2: Разъемы передней панели

Эти разъемы служат для подключения кнопок и светодиодных индикаторов, расположенных на передней панели.



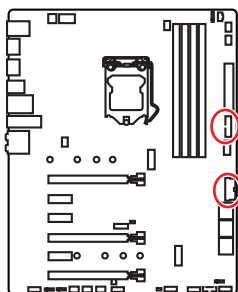
## JUSBC1: Разъем USB 3.1 Gen2 Type-C

Данный разъем предназначен для подключения разъемов USB 3.1 Gen2 Type-C на передней панели. Данный коннектор имеет защиту от неправильного подключения. При подключении кабеля убедитесь, что коннектор сориентирован правильно относительно разъема.



## JUSB1~2: Разъемы USB 3.1 Gen1

Данные разъемы предназначены для подключения портов USB 3.1 Gen1 на передней панели.

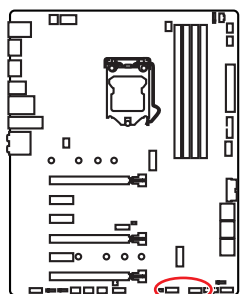


1	Power	11	USB2.0+
2	USB3_RX_DN	12	USB2.0-
3	USB3_RX_DP	13	Ground
4	Ground	14	USB3_TX_C_DP
5	USB3_TX_C_DN	15	USB3_TX_C_DN
6	USB3_TX_C_DP	16	Ground
7	Ground	17	USB3_RX_DP
8	USB2.0-	18	USB3_RX_DN
9	USB2.0+	19	Power
10	NC	20	No Pin

### **Внимание!**

Помните, что во избежание повреждений, необходимо правильно подключать контакты питания и земли.

## JUSB3~4: Разъемы USB 2.0



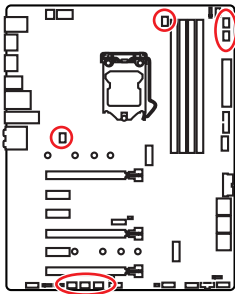
1	VCC	2	VCC
3	USB0-	4	USB1-
5	USB0+	6	USB1+
7	Ground	8	Ground
9	No Pin	10	NC

### **Внимание!**

- Помните, что во избежание повреждений, необходимо правильно подключать контакты VCC и земли.
- Для того, чтобы зарядить ваш iPad, iPhone и iPod через порты USB, пожалуйста, установите утилиту MSI DRAGON CENTER.

## CPU\_FAN1, PUMP\_FAN1, SYS\_FAN1~5: Разъемы вентиляторов

Разъемы вентиляторов можно разделить на два типа: с PWM (PulseWidth Modulation) управлением и управлением постоянным током. Разъемы вентиляторов с PWM управлением имеют контакт с постоянным напряжением 12В, а также контакт с сигналом управления скоростью вращения. Управление скоростью вращения вентиляторов с управлением постоянным током, осуществляется через соответствующие разъемы путем изменения величины напряжения. Поэтому, при подключении 3-х контактного (Non-PWM) вентилятора к разьему для вентилятора PWM, скорость вентилятора всегда будет максимальной. Работа такого вентилятора может оказаться достаточно шумной. Для настройки режима работы вентилятора вручную (PWM или DC), следуйте указаниям ниже.



### Разъем вентилятора с управлением PWM по умолчанию



CPU\_FAN1/ PUMP\_FAN1

### Разъем вентилятора с управлением DC по умолчанию



SYS\_FAN1~2

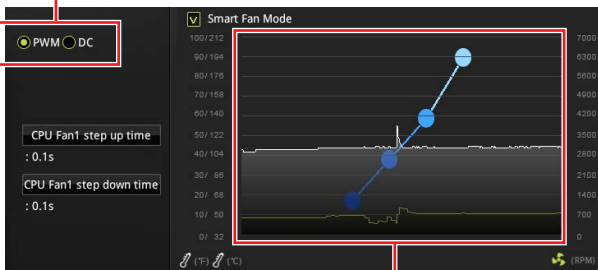


SYS\_FAN3~5

## Переключение режимов работы и скорости вращения вентилятора

В меню **BIOS > HARDWARE MONITOR** вы можете выбрать режим работы вентилятора: PWM или DC, а также настроить его скорость вращения.

Выберите режим **PWM** или **DC**



Вы можете регулировать скорость вращения вентилятора в зависимости от температуры процессора путем изменения положения градиентных точек.



**Внимание!**

Убедитесь, что вентиляторы работают правильно после выбора режима PWM/ DC.

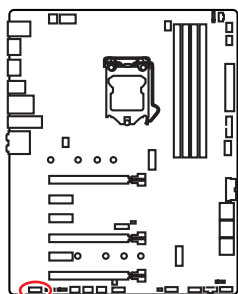
## Назначение контактов разъема для подключения вентилятора

Назначение контактов разъема для режима PWM			
1	Ground	2	+12V
3	Sense	4	Speed Control Signal

Назначение контактов разъема для режима DC			
1	Ground	2	Voltage Control
3	Sense	4	NC

## JAUD1: Разъем аудио передней панели

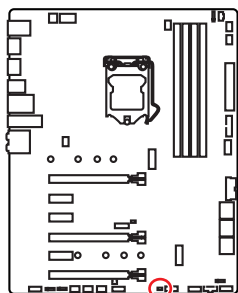
Данный разъем предназначен для подключения аудиоразъемов передней панели.



1	MIC L	2	Ground
3	MIC R	4	NC
5	Head Phone R	6	MIC Detection
7	SENSE_SEND	8	No Pin
9	Head Phone L	10	Head Phone Detection

## JC11: Разъем датчика открытия корпуса

К этому разъему подключается кабель от датчика открытия корпуса.



Нормально  
(По умолчанию)



Разрешить запись  
по событию  
открытия корпуса

### Использование датчика открытия корпуса

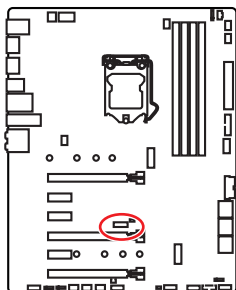
1. Подключите датчик открытия корпуса к разъему **JC11**.
2. Закройте крышку корпуса.
3. Войдите в **BIOS > SETTINGS > Security > Chassis Intrusion Configuration**.
4. Установите **Chassis Intrusion** в **Enabled**.
5. Нажмите клавишу **F10**, чтобы сохранить настройки и выйти, а затем нажмите клавишу **Enter**, чтобы выбрать **Yes**.
6. При открытии корпуса на экране будет появляться предупреждающее сообщение каждый раз при включении компьютера.

### Сброс сообщения об открытии корпуса

1. Войдите в **BIOS > SETTINGS > Security > Chassis Intrusion Configuration**.
2. Выберите **Chassis Intrusion, Reset**.
3. Нажмите клавишу **F10**, чтобы сохранить настройки и выйти, а затем нажмите клавишу **Enter**, чтобы выбрать **Yes**.

## JTPM1: Разъем модуля TPM

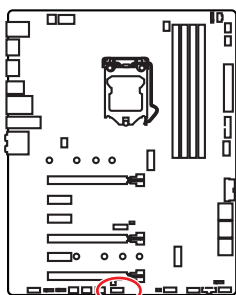
Данный разъем используется для подключения модуля TPM (Trusted Platform Module). Дополнительные сведения см. в описании модуля TPM.



1	LPC Clock	2	3V Standby power
3	LPC Reset	4	3.3V Power
5	LPC address & data pin0	6	Serial IRQ
7	LPC address & data pin1	8	5V Power
9	LPC address & data pin2	10	No Pin
11	LPC address & data pin3	12	Ground
13	LPC Frame	14	Ground

## JCOM1: Разъем последовательного порта

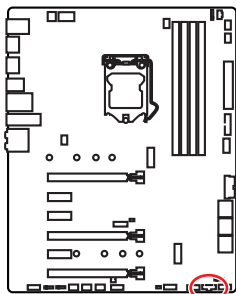
Данный разъем позволяет подключить последовательный порт, размещенный на внешнем брекете.



1	DCD	2	SIN
3	SOUT	4	DTR
5	Ground	6	DSR
7	RTS	8	CTS
9	RI	10	No Pin

## JTBT1: Разъем для установки карты расширения Thunderbolt

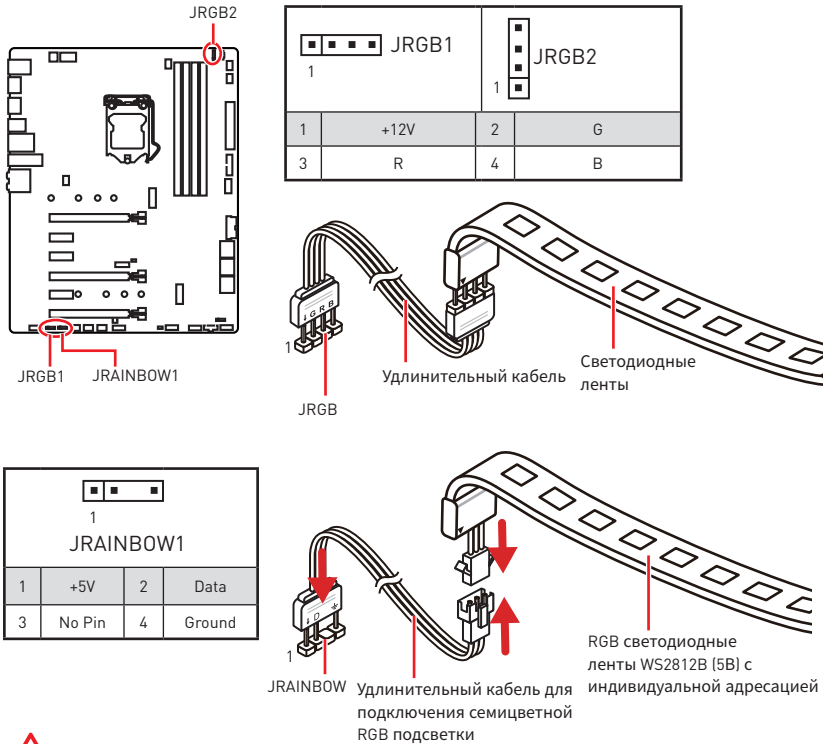
Данный разъем предназначен для подключения карты расширения с интерфейсом Thunderbolt



1	FORCE_PWR	2	SCI_EVENT
3	SLP_S3#	4	SLP_S5#
5	GND		

## JRGB1~2, JRAINBOW1: Разъемы RGB LED

Разъем JRGB предназначен для подключения 5050 RGB светодиодных лент 12В. Разъем JRAINBOW предназначен для подключения RGB светодиодных лент WS2812B (5B) с индивидуальной адресацией.



### ⚠ **ВНИМАНИЕ!**

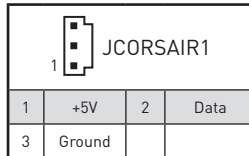
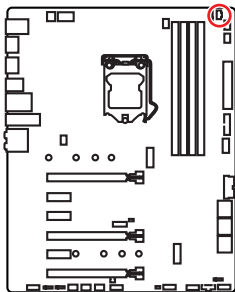
Не подключайте несовместимые с материнской платой светодиодные ленты. Разъем JRGB и разъем JRAINBOW имеют разное напряжение, и подключение светодиодных лент 5В к разъему JRGB приведет к их повреждению.

### ⚠ **Внимание!**

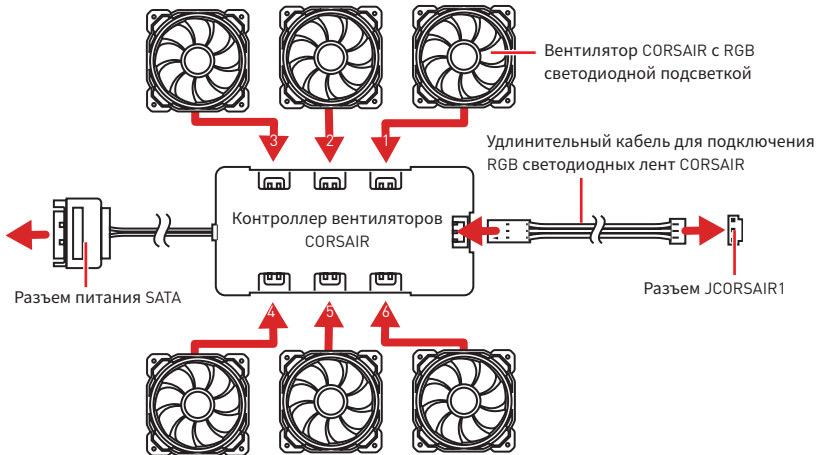
- Разъем JRGB поддерживает подключение 5050 RGB непрерывных светодиодных лент (12В/G/R/B) с максимальной мощностью 3А (12В).
- Разъем JRAINBOW поддерживает подключение RGB светодиодных лент WS2812B с индивидуальной адресацией (5В/Data/Ground) с максимальной мощностью 3А (5В), максимальное количество подсветки составляет 72.
- Перед установкой или заменой светодиодных лент RGB, необходимо полностью обесточить систему и отключить кабель питания.
- Используйте утилиту MSI® для управления удлинительными светодиодными лентами.

## JCORSAIR1: Разъем CORSAIR

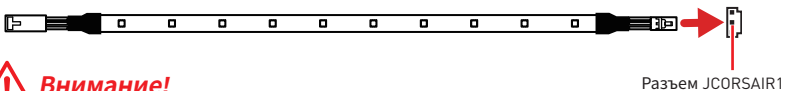
Разъем JCORSAIR1 используется для подключения RGB светодиодных лент CORSAIR (5B) с индивидуальной адресацией или вентиляторов CORSAIR с RGB светодиодной подсветкой через контроллер вентиляторов CORSAIR. Когда все элементы правильно подключены, используйте утилиту MSI для управления RGB светодиодными лентами и вентиляторами CORSAIR с подсветкой.



### Подключение вентиляторов CORSAIR с RGB светодиодной подсветкой



### Подключение светодиодных лент CORSAIR Lighting Node PRO

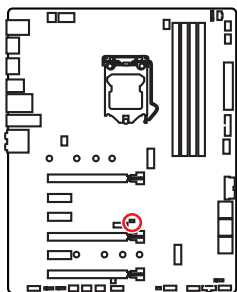


#### **Внимание!**

- Вентиляторы необходимо подключать последовательно, начиная с разъема № 1. Последовательность подключения вентиляторов к разъемам: 1 > 2 > 3 > 4 > 5 > 6. Пренебрежение правилами подключения вентиляторов к разъемам может привести к неработоспособности их подсветки.
- Количество поддерживаемых вентиляторов с RGB светодиодной подсветкой или светодиодных лент RGB Lighting PRO может различаться в зависимости от модели. Для получения подробной информации обратитесь к техническим характеристикам материнской платы.
- Вентиляторы CORSAIR с RGB светодиодной подсветкой нельзя использовать одновременно со светодиодными лентами CORSAIR Lighting Node PRO.

## JBAT1: Джемпер очистки данных CMOS (Сброс BIOS)

На плате установлена CMOS память с питанием от батарейки для хранения данных о конфигурации системы. Для сброса конфигурации системы (очистки данных CMOS памяти), воспользуйтесь этим джемпером.



Сохранение данных  
(По умолчанию)



Очистка данных/  
Сброс BIOS

### Сброс настроек BIOS до значений по умолчанию

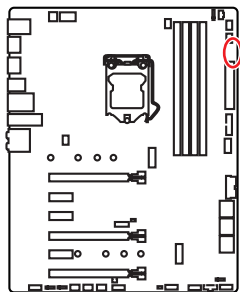
1. Выключите компьютер и отключите шнур питания.
2. Используйте джемпер, чтобы замкнуть соответствующие контакты **JBAT1** в течение 5-10 секунд.
3. Снимите джемпер с контактов **JBAT1**.
4. Подключите шнур питания и включите компьютер.



# Встроенные индикаторы

## Индикаторы отладки EZ

Данные светодиоды показывают состояния материнской платы.



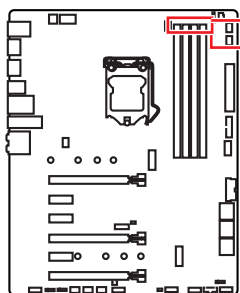
- CPU** - процессор не обнаружен или поврежден.
- DRAM** - память DRAM не обнаружена или повреждена.
- VGA** - видеокарта не обнаружена или повреждена.
- BOOT** - устройство загрузки не обнаружено или повреждено.

## Индикаторы DIMM

Данные светодиоды показывают установленные модули памяти.

## Индикатор XMP

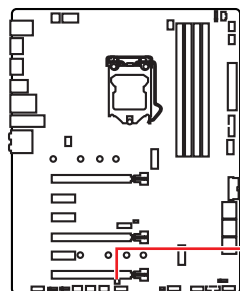
Данный LED показывает включение режима XMP (Extreme Memory Profile).



DIMM LED  
XMP LED

## JPWRLED1: Индикатор подключения питания

Данные компоненты используются в розничных магазинах для демонстрации светодиодных эффектов на плате.



JPWRLED1 - Индикатор подключения питания

# Установка ОС, драйверов и утилит

Скачайте и обновите последние утилиты и драйверы с сайта: [www.msi.com](http://www.msi.com).

## Установка Windows® 10

1. Включите компьютер.
2. Вставьте диск Windows® 10 в привод для оптических дисков или вставьте в разъем USB компьютера USB флэш-диск, содержащий установочный файл Windows® 10.
3. Нажмите кнопку **Restart** на корпусе компьютера.
4. Нажмите клавишу **F11** во время POST (Power-On Self Test) компьютера, чтобы войти в меню загрузки.
5. Выберите оптический привод / USB флэш-диск в меню загрузки.
6. Нажмите любую клавишу, когда на экране показывает сообщение **Press any key to boot from CD or DVD...**
7. Следуйте инструкциям на экране, чтобы установить Windows® 10.

## Установка драйверов

1. Загрузите компьютер в Windows® 10.
2. Вставьте диск с драйверами MSI® Driver Disc в привод для оптических дисков.
3. Нажмите всплывающее окно **Select to choose what happens with this disc** и выберите **Run DVDSSetup.exe**, чтобы открыть окно установщика. Если функция автозапуска в Панели управления Windows выключена, вы также можете вручную запустить файл **DVDSSetup.exe** из корневой папки диска с драйверами MSI Driver Disc.
4. Окно установщика найдет и перечислит все необходимые драйверы во вкладке **Drivers/Software**.
5. Нажмите кнопку **Install** в правом нижнем углу окна установщика.
6. Начнется установка драйверов. После ее завершения будет предложено перезапустить систему.
7. Нажмите кнопку **OK** для завершения.
8. Перезапустите компьютер.

## Установка утилит

Перед установкой утилиты необходимо выполнить установку драйверов.

1. Откройте окно установщика, как описано выше.
2. Нажмите вкладку **Utilities**.
3. Выберите необходимые для установки утилиты.
4. Нажмите кнопку **Install** в правом нижнем углу окна установщика.
5. Начнется установка программного обеспечения. После ее завершения будет предложено перезапустить систему.
6. Нажмите кнопку **OK** для завершения.
7. Перезапустите компьютер.

# Настройка BIOS

Настройки по умолчанию обеспечивают оптимальную производительность и стабильность системы при нормальных условиях. Если вы недостаточно хорошо знакомы с BIOS, **всегда устанавливайте настройки по умолчанию**. Это позволит избежать возможных повреждений системы, а также проблем с загрузкой.

## **Внимание!**

- С целью улучшения производительности, меню BIOS постоянно обновляется. В связи с этим данное описание может немного отличаться от последней версии BIOS и может использоваться в качестве справки. Для описания какого либо пункта меню настроек BIOS, вы можете обратиться к информационной панели **HELP**.
- Изображения в этой главе приведены исключительно в справочных целях и могут отличаться от фактических.

## Вход в настройки BIOS

Ниже представлены способы входа в настройки BIOS.

- Нажмите клавишу **Delete**, когда появляется сообщение на экране **Press DEL key to enter Setup Menu, F11 to enter Boot Menu** во время загрузки.
- При помощи приложения **MSI Dragon Center**. Нажмите на кнопку **GO2BIOS** и выберите **OK**. Система перезагрузится и автоматически войдет в настройки BIOS.

## Функциональные клавиши

- F1:** Общая справка
  - F2:** Добавить / Удалить избранный предмет
  - F3:** Вход в меню Избранное
  - F4:** Вход в меню технических параметров процессора
  - F5:** Вход в меню Memory-Z
  - F6:** Загрузить оптимизированные настройки по умолчанию
  - F7:** Переключить между расширенном режимом и режимом EZ
  - F8:** Загрузить профиль разгона
  - F9:** Сохранить профиль разгона
  - F10:** Сохранение изменений и перезагрузка\*
  - F12:** Сделать скриншот и сохранить его на USB флэш-диск (только FAT / FAT32 формат).
- Ctrl+F:** Вход в страницу поиска

\* При нажатии клавиши F10 появится информационное окно. Выберите Yes или No, чтобы подтвердить выбор.

## Сброс BIOS

В некоторых ситуациях необходимо выполнить восстановление настроек BIOS до значений по умолчанию. Существует несколько способов сброса настроек:

- Войдите в BIOS и нажмите клавишу **F6** для загрузки оптимизированных значений по умолчанию.
- Замкните джампер **Clear CMOS** на материнской плате.

### **Внимание!**

*Убедитесь, что компьютер выключен перед очисткой данных CMOS. Для получения дополнительной информации о сбросе настроек BIOS, обратитесь к разделу “Джампер очистки данных CMOS”.*

## Обновление BIOS

### Обновление BIOS при помощи M-FLASH

Подготовительные операции:

Пожалуйста, скачайте последнюю версию файла BIOS с сайта MSI, который соответствует вашей модели материнской платы. Сохраните файл BIOS на флэш-диске USB.

Обновление BIOS:

1. Вставьте флэш-диск USB, содержащий файл обновления в компьютер.
2. Для входа в режим обновления следуйте указаниям ниже.
  - Перезагрузите системы и нажмите клавиши **<Ctrl+F5>** во время процедуры POST, потом нажмите на кнопку **Yes** для перезагрузки системы.
  - Перезагрузите системы и нажмите клавишу **Del** во время процедуры POST для входа в настройки BIOS. Выберите вкладку **M-FLASH** и нажмите на кнопку **Yes** для перезагрузки системы.
3. Выберите файл BIOS для выполнения процесса обновления BIOS.
4. После завершения процесса обновления, система перезагрузится автоматически.

### Обновление BIOS при помощи MSI DRAGON CENTER

Перед обновлением:

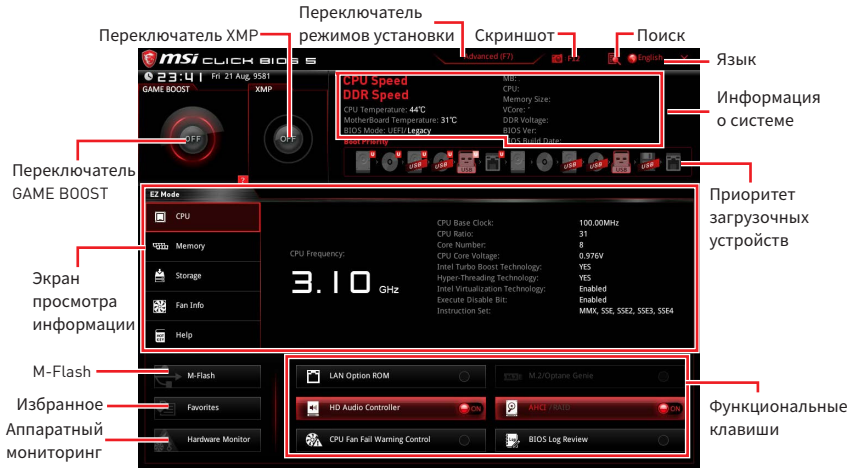
Убедитесь, что драйвер локальной сети установлен и есть подключение к сети Интернет.

Обновление BIOS:

1. Установите и запустите MSI DRAGON CENTER.
2. Выберите **BIOS Update**.
3. Нажмите на кнопку **Scan**.
4. Нажмите на значок **Download**, чтобы загрузить и установить последнюю версию файла BIOS.
5. Нажмите кнопку **Next** и выберите **In Windows mode**. И затем нажмите кнопку **Next** и **Start** для запуска обновления BIOS.
6. По завершению процесса обновления, система перезагрузится автоматически.

## Режим EZ

Режим EZ предоставляет основную информацию о системе и позволяет выполнить основные операции по настройке. Для настройки расширенных функций BIOS, пожалуйста, войдите в Расширенный режим, путем нажатия **Переключатель режимов установки** или при помощи функциональной клавиши **F7**.



- **Переключатель GAME BOOST** - щелкните для переключения **GAME BOOST** в ОС.
- **Переключатель XMP** - нажмите на внутренний значок, чтобы включить/выключить X.M.P. (Extreme Memory Profile). Для выбора профиля X.M.P. переключите внешний значок. Этот переключатель доступен только в случае, если установлен модуль памяти с поддержкой X.M.P.
- **Переключатель режимов установки** - нажмите эту вкладку или клавишу **F7**, чтобы переключиться между режимами EZ и разгона.
- **Скриншот** - нажмите на эту вкладку или клавишу **F12**, чтобы сделать скриншот и сохранить его на флэш-диск USB (только FAT/ FAT32).
- **Поиск** - кликните по данной вкладке или нажмите клавиши **Ctrl + F** для перехода на страницу поиска. Это позволяет выполнить поиск по имени параметра BIOS. Наведите указатель мыши на пустое место и щелкните правой кнопкой мыши, для выхода со страницы поиска.

### **Внимание!**

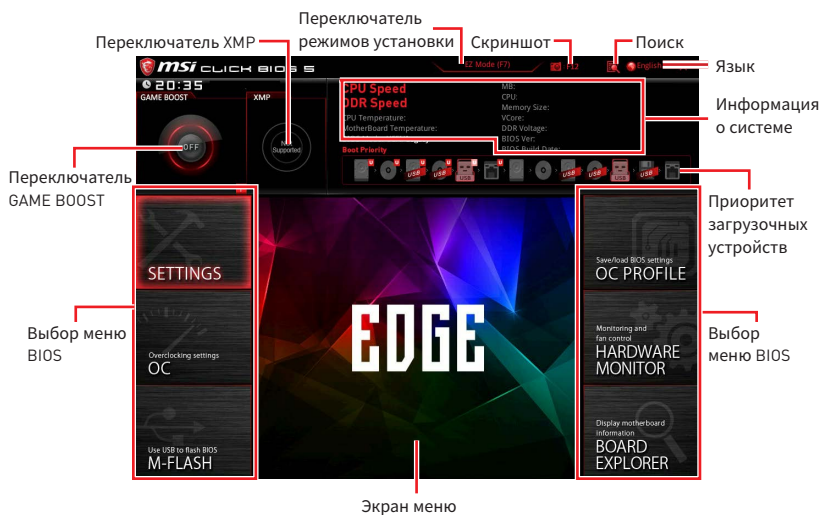
На странице поиска доступны только функциональные клавиши **F6**, **F10** и **F12**.

- **Язык** - позволяет выбрать язык интерфейса для настройки BIOS.
- **Информация о системе** - показывает частоту процессора/ памяти, температуру процессора/ материнской платы, информацию о материнской плате/процессоре, размер памяти, напряжение на процессоре/ памяти, версию BIOS и дату создания.

- **Приоритет загрузочных устройств** - вы можете переместить иконку устройства для изменения приоритета загрузки. Приоритет загрузки устанавливается слева направо, от высокого к низкому.
- **Экран просмотра информации** - нажмите на кнопку **CPU, Memory, Storage, Fan Info** и **Help** в левой части экрана для отображения соответствующей информации.
- **Функциональные клавиши** - включают или выключают **LAN Option ROM, M.2/ Optane Genie, HD audio controller, AHCI/ RAID, CPU Fan Fail Warning Control** и **BIOS Log Review**, при нажатии на соответствующую кнопку.
- **M-Flash** - нажмите на эту кнопку для отображения меню **M-Flash**. Пункт позволяет выбрать способ обновления BIOS при помощи USB флеш накопителя.
- **Аппаратный мониторинг** - нажмите на эту кнопку для отображения меню **аппаратного мониторинга**. Пункт позволяет вручную регулировать скорость вращения вентиляторов в процентах.
- **Избранное** - нажмите на данную кнопку или клавишу **F3** для входа в меню **Избранное**. Позволяет создать личное меню BIOS, где вы можете сохранить и получить доступ к вашим любимым и часто используемым настройкам BIOS.
  - **Главная страница по умолчанию** - позволяет выбрать меню BIOS (например, параметры, ОС..., и т.д.) в качестве главной страницы BIOS.
  - **Избранное1-5** - позволяет добавлять наиболее часто используемые / любимые пункты настройки BIOS на одну страницу.
  - **Добавление пункта BIOS в страницу Избранное (избранное 1-5)**
    1. Выберите пункт BIOS в настройках ОС или меню ОС.
    2. Щелкните правой кнопкой мыши или нажмите клавишу **F2**.
    3. Выберите любимую страницу и нажмите на кнопку **OK**.
  - **Удаление пункта BIOS из страницы Избранное**
    1. Выберите пункт BIOS на странице Избранное (избранное 1-5).
    2. Щелкните правой кнопкой мыши или нажмите клавишу **F2**.
    3. Выберите **Delete** и нажмите на кнопку **OK**.

## Режим разгона

Нажмите **переключатель режимов установки** или функциональную клавишу **F7** для переключения между режимами EZ и разгона в настройках BIOS.



- **Переключатель GAME BOOST / Переключатель XMP / Переключатель режимов установки / Скриншот / Язык / Поиск / Информация о системе / Приоритет загрузочных устройств** - пожалуйста, обратитесь к разделу Режим EZ.

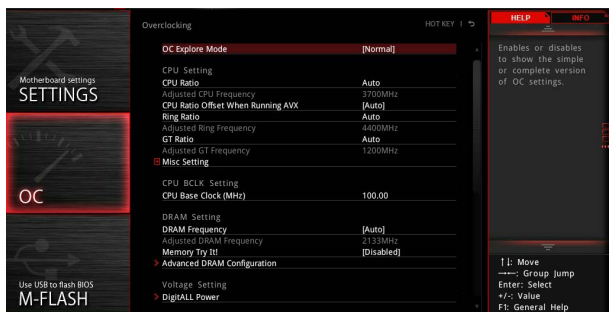
- **Выбор меню BIOS** - доступны следующие опции:

- **SETTINGS** - в данном меню представлены настройки чипсета и загрузочных устройств.
- **OC** - позволяет регулировать частоту и напряжение. Увеличение частоты приводит к увеличению производительности.
- **M-FLASH** - позволяет выбрать метод обновления BIOS с USB флэш-диска.
- **OC PROFILE** - позволяет управлять профилями разгона.
- **HARDWARE MONITOR** - позволяет установить скорость работы вентиляторов и мониторинг напряжений системы.
- **BOARD EXPLORER** - предоставляет информации об установленных устройствах на материнской плате.

- **Экран меню** - отображаются настройки BIOS и дополнительная информация.

## Меню OC

Данное меню предназначено для опытных пользователей и предоставляет возможности для «разгона» системы.



### **Внимание!**

- Разгонять ПК вручную рекомендуется только опытным пользователям.
- Производитель не гарантирует успешность разгона. Неправильное выполнение разгона может привести к аннулированию гарантии и серьезно повредить оборудованию.
- Неопытным пользователям рекомендуется использовать функцию **GAME BOOST**.

#### ► **OC Explore Mode [Normal]**

Включение или выключение отображения нормального или экспертного режима настроек разгона.

[Normal] Стандартные параметры разгона в BIOS.

[Expert] Расширенные параметры разгона в BIOS для опытных пользователей.

Примечание: Символом \* отмечаются параметры разгона в режиме Expert.

#### ► **CPU Ratio [Auto]**

Задание множителя процессора для установки его тактовой частоты. Этот пункт появляется, когда **CPU Ratio Apply Mode** установлено в **All Core**.

#### ► **Adjusted CPU Frequency**

Показывает текущую частоту процессора. Это значение нельзя изменять.

#### ► **CPU Ratio Offset When Running AVX [Auto]**

Установка значения смещения для снижения коэффициента ядра процессора. Это может быть полезно для рассеивания тепла при выполнении набора инструкций AVX. Если установлен на Auto, BIOS автоматически настроит этот параметр.

#### ► **Ring Ratio [Auto]**

Установка множителя кольцевой шины. Диапазон допустимых значений зависит от установленного процессора.



### ► Adjusted Ring Frequency

Показывает измененную частоту шины Ring. Это значение нельзя изменять.

### ► GT Ratio [Auto]

Установка множителя для интегрированной графики. Диапазон допустимых значений зависит от установленного процессора.

### ► Adjusted GT Frequency

Показывает измененную частоту интегрированной графики. Это значение нельзя изменять.

### ► Misc Setting\*

Нажмите клавишу Enter, + или -, чтобы включить или выключить следующие 3 пункта, связанные с характеристиками процессора.

#### ► EIST [Enabled]\*

Включение или выключение технологии Enhanced Intel® SpeedStep.

[Enabled] Включение EIST для регулировки напряжения и частоты ядра процессора. Этот пункт может снизить среднее энергопотребление и тепловыделение.

[Disabled] Выключение EIST.

#### ► Intel Turbo Boost [Enabled]\*

Включение или выключение Intel® Turbo Boost. Этот пункт появляется, когда установленный процессор поддерживает данную функцию.

[Enabled] Включение этой функции приводит к автоматическому увеличению производительности процессора, когда система требует наивысшей производительности.

[Disabled] Функция выключена.

#### ► Enhanced Turbo [Auto]\*

Включение или выключение функции Enhanced Turbo, которая позволяет увеличивать частоту на всех ядрах процессора. Этот пункт появляется, когда установленный процессор поддерживает данную функцию.

[Auto] Этот параметр будет настроен автоматически с помощью BIOS.

[Enabled] Увеличение частоты всех процессорных ядер до максимального значения.

[Disabled] Функция выключена.

### ► CPU Base Clock (MHz) [Default]

Установка базовой тактовой частоты процессора. Изменение этого параметра обеспечивает возможность «разгона» процессора. Обращаем ваше внимание, что успешность разгона и стабильная работа системы при этом не гарантируется. Этот пункт появляется, если установленный процессор поддерживает данную функцию.

### ► Extreme Memory Profile (X.M.P.) [Disabled]

X.M.P. (Extreme Memory Profile) является технологией разгона для модулей памяти. Включите XMP или выберите профиль модуля памяти XMP для разгона. Этот пункт доступен при установке модулей памяти с поддержкой X.M.P.

### ► DRAM Frequency [Auto]

Установка частоты памяти DRAM. Обратите внимание, что возможность успешного разгона не гарантируется.

### ► Adjusted DRAM Frequency

Показывает текущую частоту DRAM. Это значение нельзя изменять.

### ► Memory Try It ! [Disabled]

Позволяет улучшить совместимость памяти и производительность, путем выбора наиболее оптимального пресета.

### ► Advanced DRAM Configuration

Нажмите **Enter** для входа в подменю. Пользователь может настроить тайминги для каждого канала памяти. Система может работать нестабильно или не загружаться после изменения таймингов памяти. Если система работает нестабильно, пожалуйста, очистите данные CMOS и восстановите настройки по умолчанию. (см. переключатель очистки данных CMOS/раздел кнопки для очистки данных CMOS и вход в BIOS, чтобы загрузить настройки по умолчанию.)

### ► Memory Fast Boot [Auto]\*

Включает или выключает инициализацию и тренировку памяти при каждой загрузке.

[Auto] Этот параметр будет настроен автоматически с помощью BIOS.

[Enabled] Система будет сохранять настройки, определенные при первой инициализации и тренировке памяти. Оперативная память более не будет подвергаться процессу инициализации и тренировке измененными настройками для ускорения загрузки.

[Disabled] Память будет проходить процесс инициализации и тренировки при каждой загрузке.

### ► DigitALL Power

Нажмите **Enter** для входа в подменю, где пользователь может настроить ограничение напряжения/ тока/ температуры для защиты процессора.

### ► CPU Voltages control [Auto]

Эти параметры позволяют вам задать напряжения, связанные с процессором. При установке в **Auto**, BIOS установит напряжения автоматически. Вы также можете настроить напряжения вручную.

### ► DRAM Voltages control [Auto]

Эти параметры позволяют вам задать напряжения, связанные с памятью. При установке в **Auto**, BIOS установит напряжения автоматически. Вы также можете настроить напряжения вручную.

### ► CPU Memory Changed Detect [Enabled]\*

Включение или выключение предупреждающих сообщений при загрузке системы, когда процессор или память были заменены.

[Enabled] Система выдает предупреждение во время загрузки. Требуется загрузить настройки по умолчанию для новых устройств.

[Disabled] Выключение этой функции и сохранение текущих настроек BIOS.

### ► CPU Specifications

Нажмите **Enter** для входа в подменю. В этом подменю представлена информация об установленном процессоре. Для просмотра этой информации в любое время нажмите на кнопку **F4**. Это значение нельзя изменять.

### ► CPU Technology Support

Нажмите **Enter** для входа в подменю. В данном подменю отображаются основные функции, поддерживаемые установленным процессором. Это значение нельзя изменять.

### ► MEMORY-Z

Нажмите **Enter** для входа в подменю. В подменю выделены все параметры и тайминги установленной памяти. Для просмотра этой информации в любое время нажмите на кнопку **F5**.

### ► DIMMA1/A2/B1/B2 Memory SPD

Нажмите **Enter** для входа в подменю. Это подменю показывает информацию об установленной памяти. Это значение нельзя изменять.

### ► CPU Features

Нажмите **Enter** для входа в подменю.

#### ► Hyper-Threading [Enabled]

Технология Intel Hyper-Threading позволяет нескольким наборам регистров в процессоре исполнять инструкции одновременно. Это существенно увеличивает производительность системы. Этот пункт появляется, когда установленный процессор поддерживает изменение данного параметра.

[Enable] Включить технологию Intel Hyper-Threading.

[Disabled] Выключить эту функцию, если система не поддерживает функцию HT.

#### ► Active Processor Cores Control [All]

Позволяет вам выбрать количество активных ядер процессора.

#### ► Limit CPUID Maximum [Disabled]

Включение или выключение расширенных значений CPUID.

[Enabled] BIOS будет ограничивать максимальное входное значение CPUID для обхода проблемы загрузки в устаревших операционных системах, не поддерживающих процессор с расширенными значениями CPUID.

[Disabled] Используйте фактическое максимальное входное значение CPUID.

#### ► Intel Virtualization Tech [Enabled]

Включение или выключение технологии Intel Virtualization.

[Enabled] Включает технологию Intel Virtualization и позволяет платформе запускать несколько операционных систем в независимых разделах. Система может функционировать виртуально сразу с несколькими операционными системами.

[Disabled] Выключение этой функции.

► **Intel VT-D Tech [Disabled]**

Включение или выключение технологии Intel VT-D (Intel Virtualization for Direct I/O).

► **Hardware Prefetcher [Enabled]**

Включение или выключение аппаратной предвыборки (MLC Streamer prefetcher).

[Enabled] Позволяет автоматически реализовывать предвыборку данных и инструкций из памяти в кэш L2 для настройки производительности процессора.

[Disabled] Выключение аппаратной предвыборки.

► **Adjacent Cache Line Prefetch [Enabled]**

Включение или выключение предвыборки процессора (MLC Spatial prefetcher).

[Enabled] Включение соседней предвыборки линии кэша для сокращения времени задержки кэша и настройки производительности для определенного приложения.

[Disabled] Включает только запрашиваемую линию кэша.

► **CPU AES Instructions [Enabled]**

Включение или выключение поддержки CPU AES (Advanced Encryption Standard-New Instructions). Этот пункт появляется, если процессор поддерживает данную функцию.

► **Intel Adaptive Thermal Monitor [Enabled]**

Включение или выключение адаптивного температурного мониторинга для защиты процессора от перегрева.

[Enabled] Уменьшает частоту ядра процессора, когда процессор превышает адаптивную температуру.

[Disabled] Выключение функции.

► **Intel C-State [Auto]**

Включение или выключение Intel C-state. C-state - это технология управления питанием процессора, определяемая ACPI.

[Auto] Параметр будет настроен автоматически с помощью BIOS.

[Enabled] Определяет состояние простоя системы и значительно сокращает энергопотребление процессором.

[Disabled] Выключение функции.

► **C1E Support [Disabled]**

Включение или выключение функции C1E для энергосбережения в состоянии простоя. Данный пункт появляется при включении **Intel C-State**.

[Enabled] Включение функции C1E для снижения частоты и напряжения процессора в целях энергосбережения в состоянии простоя.

[Disabled] Функция выключена.

► **Package C State limit [Auto]**

Данный параметр позволяет выбрать режим C-state для энергосбережения при простое системы. Варианты C-state зависят от установленного процессора. Этот элемент появляется при включении **Intel C-State**.

► **CFG Lock [Enabled]**

Блокировка или разблокировка MSR 0xE2[15], бит блокировки CFG.

[Enabled] Блокирует бит блокировки CFG.

[Disabled] Разблокирует бит блокировки CFG.

► **EIST [Enabled]**

Включение или выключение технологии Enhanced Intel® SpeedStep. Этот пункт появляется, если **OC Explore Mode** установлено в **Normal**.

[Enabled] Включение EIST для регулировки напряжения и частоты ядра процессора. Этот пункт может снизить среднее энергопотребление и тепловыделение.

[Disabled] Выключение EIST.

► **Intel Turbo Boost [Enabled]**

Включает или выключает Intel® Turbo Boost. Данный пункт применим для режима **Normal** и доступен, когда установленный процессор поддерживает данную функцию.

[Enabled] Включение этой функции приводит к автоматическому увеличению производительности процессора.

[Disabled] Функция выключена.

► **Long Duration Power Limit (W) [Auto]**

Настроить предельную мощность TDP процессора для длительной работы в режиме Turbo Boost.

► **Long Duration Maintained (s) [Auto]**

Настроить максимальное время работы процессора с ограничением мощности при Long Duration Power Limit.

► **Short Duration Power Limit (W) [Auto]**

Настроить предельную мощность TDP процессора при кратковременных нагрузках в режиме Turbo Boost.

► **CPU Current Limit (A) [Auto]**

Устанавливает максимальное ограничение по току для процессора в режиме Turbo Boost. В случае превышения установленного значения, процессор автоматически снижает частоту ядер.

► **FCLK Frequency [Auto]**

Устанавливает частоту FCLK. Нижняя частота FCLK может помочь вам установить более высокую частоту базовой тактовой.

► **DMI Link Speed [Auto]**

Устанавливает скорость DMI.

► **SW Guard Extensions (SGX) [Software Control]**

Включение или выключение SGX.

► **Intel Speed Shift Technology [Auto]**

Включение или выключение технологии Intel Speed Shift Technology, которая помогает оптимизировать энергоэффективность. Этот пункт появляется, когда установленный процессор поддерживает данную функцию.



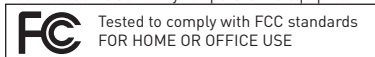
# Regulatory Notices

## FCC Compliance Statement

Note: This equipment has been tested and found to comply with the limits for a Class B digital device, pursuant to part 15 of the FCC Rules. These limits are designed to provide reasonable protection against harmful interference in a residential installation. This equipment generates, uses and can radiate radio frequency energy and, if not installed and used in accordance with the instructions, may cause harmful interference to radio communications. However, there is no guarantee that interference will not occur in a particular installation. If this equipment does cause harmful interference to radio or television reception, which can be determined by turning the equipment off and on, the user is encouraged to try to correct the interference by one or more of the following measures:

- Reorient or relocate the receiving antenna.
- Increase the separation between the equipment and receiver.
- Connect the equipment into an outlet on a circuit different from that to which the receiver is connected.
- Consult the dealer or an experienced radio/TV technician for help.

Caution: Changes or modifications not expressly approved by the party responsible for compliance could void the user's authority to operate the equipment.



This device complies with part 15 of the FCC Rules. Operation is subject to the following two conditions: (1) This device may not cause harmful interference, and (2) this device must accept any interference received, including interference that may cause undesired operation.

## CE Conformity

**CE** Products bearing the CE marking comply with one or more of the following EU Directives as may be applicable:  
RED 2014/53/EU; Low Voltage Directive 2014/35/EU; EMC Directive 2014/30/EU; RoHS Directive 2011/65/EU. Compliance with these directives is assessed using applicable European Harmonized Standards. The point of contact for regulatory matters is MSI, MSI-NL Eindhoven 5706 5692 ER Son.

## B급 기기 (가정용 방송통신기자재)

**K** 이 기기는 가정용(B급) 전자파적합기기로서 주로 가정에서 사용하는 것을 목적으로 하며, 모든 지역에서 사용할 수 있습니다.

## クラスB情報技術装置

**VCI** この装置は、クラスB情報技術装置です。この装置は、家庭環境で使用することを目的としていますが、この装置がラジオやテレビジョン受信機に近接して使用されると、受信障害を引き起こすことがあります。取扱説明書に従って正しい取り扱いをして下さい

**YCCI-B**

## C-Tick Compliance



## Battery Information

European Union:



Batteries, battery packs, and accumulators should not be disposed of as unsorted household waste. Please use the public collection system to return, recycle, or treat them in compliance with the local regulations.

Taiwan:



廢電池請回收

For better environmental protection, waste batteries should be collected separately for recycling or special disposal.

California, USA:



The button cell battery may contain perchlorate material and requires special handling when recycled or disposed of in California.

For further information please visit:

<http://www.dtsc.ca.gov/hazardouswaste/perchlorate/>

CAUTION: There is a risk of explosion, if battery is incorrectly replaced.

Replace only with the same or equivalent type recommended by the manufacturer.

## Chemical Substances Information

In compliance with chemical substances regulations, such as the EU REACH Regulation (Regulation EC No. 1907/2006 of the European Parliament and the Council), MSI provides the information of chemical substances in products at:  
[http://www.msi.com/html/popup/csr/evmtprrt\\_pcm.html](http://www.msi.com/html/popup/csr/evmtprrt_pcm.html)

## Environmental Policy

- The product has been designed to enable proper reuse of parts and recycling and should not be thrown away at its end of life.
- Users should contact the local authorized point of collection for recycling and disposing of their end-of-life products.
- Visit the MSI website and locate a nearby distributor for further recycling information.
- Users may also reach us at [gpcontdev@msi.com](mailto:gpcontdev@msi.com) for information regarding proper Disposal, Take-back, Recycling, and Disassembly of MSI products.



## WEEE (Waste Electrical and Electronic Equipment) Statement

ENGLISH

To protect the global environment and as an environmentalist, MSI must remind you that...

Under the European Union ("EU") Directive on Waste Electrical and Electronic Equipment, Directive 2002/96/EC, which takes effect on August 13, 2005, products of "electrical and electronic equipment" cannot



be discarded as municipal wastes anymore, and manufacturers of covered electronic equipment will be obligated to take back such products at the end of their useful life. MSI will comply with the product take back requirements at the end of life of MSI-branded products that are sold into the EU. You can return these products to local collection points.

#### DEUTSCH

Hinweis von MSI zur Erhaltung und Schutz unserer Umwelt  
Gemäß der Richtlinie 2002/96/EG über Elektro- und Elektronik-Altgeräte dürfen Elektro- und Elektronik-Altgeräte nicht mehr als kommunale Abfälle entsorgt werden. MSI hat europaweit verschiedene Sammel- und Recyclingunternehmen beauftragt, die in die Europäische Union in Verkehr gebrachten Produkte, am Ende seines Lebenszyklus zurückzunehmen. Bitte entsorgen Sie dieses Produkt zum gegebenen Zeitpunkt ausschließlich an einer lokalen Altgerätesammelstelle in Ihrer Nähe.

#### FRANÇAIS

En tant qu'écologiste et afin de protéger l'environnement, MSI tient à rappeler ceci...  
Au sujet de la directive européenne (EU) relative aux déchets des équipements électriques et électroniques, directive 2002/96/EC, prenant effet le 13 août 2005, que les produits électriques et électroniques ne peuvent être déposés dans les décharges ou tout simplement mis à la poubelle. Les fabricants de ces équipements seront obligés de récupérer certains produits en fin de vie. MSI prendra en compte cette exigence relative au retour des produits en fin de vie au sein de la communauté européenne. Par conséquent vous pouvez retourner localement ces matériels dans les points de collecte.

#### РУССКИЙ

Компания MSI предпринимает активные действия по защите окружающей среды, поэтому напоминаем вам, что....  
В соответствии с директивой Европейского Союза (ЕС) по предотвращению загрязнения окружающей среды использованным электрическим и электронным оборудованием (директива WEEE 2002/96/EC), вступающей в силу 13 августа 2005 года, изделия, относящиеся к электрическому и электронному оборудованию, не могут рассматриваться как бытовой мусор, поэтому производители вышеперечисленного электронного оборудования обязаны принимать его для переработки по окончании срока службы. MSI обязуется соблюдать требования по приему продукции, проданной под маркой MSI на территории ЕС, в переработку по окончании срока службы. Вы можете вернуть эти изделия в специализированные пункты приема.

#### ESPAÑOL

MSI como empresa comprometida con la protección del medio ambiente, recomienda:  
Bajo la directiva 2002/96/EC de la Unión Europea en materia de desechos y/o equipos electrónicos, con fecha de rigor desde el 13 de agosto de 2005, los productos clasificados como "eléctricos y equipos electrónicos" no pueden ser depositados en los contenedores habituales de su municipio, los fabricantes de equipos electrónicos, están obligados a hacerse cargo de dichos productos al término de su período de vida. MSI estará comprometido con los términos de recogida de sus productos vendidos en

la Unión Europea al final de su periodo de vida. Usted debe depositar estos productos en el punto limpio establecido por el ayuntamiento de su localidad o entregar a una empresa autorizada para la recogida de estos residuos.

#### NEDERLANDS

Om het milieu te beschermen, wil MSI u eraan herinneren dat....  
De richtlijn van de Europese Unie (EU) met betrekking tot Vervuiling van Elektrische en Electronische producten (2002/96/EC), die op 13 Augustus 2005 in zal gaan kunnen niet meer beschouwd worden als vervuiling. Fabrikanten van dit soort producten worden verplicht om producten retour te nemen aan het eind van hun levenscyclus. MSI zal overeenkomstig de richtlijn handelen voor de producten die de merknaam MSI dragen en verkocht zijn in de EU. Deze goederen kunnen geretourneerd worden op lokale inzamelingspunten.

#### SRPSKI

Da bi zaštitili prirodnu sredinu, i kao proizvođače koje vodi računa o okolini i prirodnoj sredini, MSI mora da vas podesti da...  
Po Direktivi Evropske unije ("UE") o odbačenoj elektronskoj i električnoj opremi, Direktiva 2002/96/EC, koja stupa na snagu od 13. Avgusta 2005, proizvođači koji spadaju pod "elektronsku i električnu opremu" ne mogu više biti odbačeni kao običan otpad i proizvođači ove opreme biće prinuđeni da uzmu natrag ove proizvode na kraju njihovog uobičajenog veka trajanja. MSI će poštovati zahtev o preuzimanju ovakvih proizvoda kojima je istekao vek trajanja, koji imaju MSI oznaku i koji su prodati u EU. Ove proizvode možete vratiti na lokalnim mestima za prikupljanje.

#### POLSKI

Aby chronić nasze środowisko naturalne oraz jako firma dbająca o ekologię, MSI przypomina, że...  
Zgodnie z Dyrektywą Unii Europejskiej ("UE") dotyczącą odpadów produktów elektrycznych i elektronicznych (Dyrektywa 2002/96/EC), która wchodzi w życie 13 sierpnia 2005, tzw. "produkty oraz wyposażenie elektryczne i elektroniczne" nie mogą być traktowane jako śmieci komunalne, tak więc producenci tych produktów będą zobowiązani do odbierania ich w momencie gdy produkt jest wycofywany z użycia. MSI wypełni wymagania UE, przyjmując produkty (sprzedawane na terenie Unii Europejskiej) wycofywane z użycia. Produkty MSI będzie można zwracać w wyznaczonych punktach zbiorczych.

#### TÜRKÇE

Çevreci özelliğiyle bilinen MSI dünyada çevreyi korumak için titrlatır:  
Avrupa Birliği (AB) Kararnamesi Elektrik ve Elektronik Malzeme Atığı, 2002/96/EC Kararnamesi altında 13 Ağustos 2005 tarihinden itibaren geçerli olmak üzere, elektrikli ve elektronik malzemeler diğer atıklar gibi çöpe atılmayacak ve bu elektronik cihazların üreticileri, cihazların kullanım süreleri bittikten sonra ürünleri geri toplamakla yükümlü olacaktır. Avrupa Birliği'ne satılan MSI markalı ürünlerin kullanım süreleri bittiğinde MSI ürünlerin geri alınması isteği ile işbirliği içerisinde olacaktır. Ürünlerinizi yerel toplama noktalarına bırakabilirsiniz.

#### ČESKY

Záleží nám na ochraně životního prostředí - společnost MSI upozorňuje...  
Podle směrnice Evropské unie ("UE") o likvidaci elektrických a elektronických výrobků 2002/96/



EC platné od 13. srpna 2005 je zakázáno likvidovat "elektrické a elektronické výrobky" v běžném komunálním odpadu a výrobci elektronických výrobků, na které se tato směrnice vztahuje, budou povinni odebrat takové výrobky zpět po skončení jejich životnosti. Společnost MSI splní požadavky na odebrání výrobků značky MSI, prodávaných v zemích EU, po skončení jejich životnosti. Tyto výrobky můžete odevzdat v místních sběrnách.

#### MAGYAR

Annak érdekében, hogy környezetünket megvédjük, illetve környezetvédeként fellépve az MSI emlékezteti Önt, hogy ...

Az Európai Unió („EU”) 2005. augusztus 13-án hatályba lépő, az elektromos és elektronikus berendezések hulladékaikról szóló 2002/96/EK irányelve szerint az elektromos és elektronikus berendezések többé nem kezelhetők lakossági hulladékként, és az ilyen elektronikus berendezések gyártói kötelesek válnak az ilyen termékek visszavételére azok hasznos élettartama végén. Az MSI betartja a termék visszavételével kapcsolatos követelményeket az MSI márkánév alatt az EU-n belül értékesített termékek esetében, azok élettartamának végén. Az ilyen termékeket a legközelebbi gyűjtőhelyre viheti.

#### ITALIANO

Per proteggere l'ambiente, MSI, da sempre amica della natura, ti ricorda che...

In base alla Direttiva dell'Unione Europea (EU) sullo Smtaltimento dei Materiali Elettrici ed Elettronici, Direttiva 2002/96/EC in vigore dal 13 Agosto 2005, prodotti appartenenti alla categoria dei Materiali Elettrici ed Elettronici non possono più essere eliminati come rifiuti municipali: i produttori di detti materiali saranno obbligati a ritirare ogni prodotto alla fine del suo ciclo di vita. MSI si adegnerà a tale Direttiva ritirando tutti i prodotti marchiati MSI che sono stati venduti all'interno dell'Unione Europea alla fine del loro ciclo di vita. È possibile portare i prodotti nel più vicino punto di raccolta

## 日本JIS C 0950材質宣言

日本工業規格JIS C 0950により、2006年7月1日以降に販売される特定分野の電気および電子機器について、製造者による含有物質の表示が義務付けられます。

[http://www.msi.com/html/popup/csr/cemm\\_jp.html](http://www.msi.com/html/popup/csr/cemm_jp.html)  
[http://tw.msi.com/html/popup/csr\\_tw/cemm\\_jp.html](http://tw.msi.com/html/popup/csr_tw/cemm_jp.html)

## India RoHS

This product complies with the "India E-waste (Management and Handling) Rule 2011" and prohibits use of lead, mercury, hexavalent chromium, polybrominated biphenyls or polybrominated diphenyl ethers in concentrations exceeding 0.1 weight % and 0.01 weight % for cadmium, except for the exemptions set in Schedule 2 of the Rule.

## Türkiye EEE yönetmeliği

Türkiye Cumhuriyeti: EEE Yönetmeliğine Uygundur

## Україна обмеження на наявність небезпечних речовин

Обладнання відповідає вимогам Технічного регламенту щодо обмеження Використання деяких небезпечних речовин в електричному та електронному обладнанні, затвердженого постановою Кабінету Міністрів України від 3 грудня 2008 № 1057.

## Việt Nam RoHS

Kể từ ngày 01/12/2012, tất cả các sản phẩm do công ty MSI sản xuất tuân thủ Thông tư số 30/2011/TT-BCT quy định tạm thời về giới hạn hàm lượng cho phép của một số hóa chất độc hại có trong các sản phẩm điện, điện tử"

## Wireless Radio Use

This device is restricted to indoor use when operating in the 2.4GHz, 5GHz frequency band.

Cet appareil doit être utilisé à l'intérieur.

당해 무선설비는 운용중 전파혼신 가능성이 있음.

この製品は、周波数帯域 2.4GHz, 5GHz で動作しているときは、屋内においてのみ使用可能です。

### NCC無線設備警告聲明


工作頻率 2.4GHz, 5GHz 該頻段限於室內使用。經型式認證合格之低功率射頻電機，非經許可，公司、商號或使用者均不得擅自變更頻率、加大功率或變更原設計之特性及功能。

低功率射頻電機之使用不得影響飛航安全及干擾合法通信；經發現有干擾現象時，應立即停用，並改善至無干擾時方得繼續使用。前項合法通信，指依電信法規定作業之無線電通信。低功率射頻電機須忍受合法通信或工業、科學及醫療用電波輻射性電機設備之干擾。

### Products with radio functionality (EMF)

This product incorporates a radio transmitting and receiving device. For computers in normal use, a separation distance of 20 cm ensures that radio frequency exposure levels comply with EU requirements. Products designed to be operated at closer proximities, such as tablet computers, comply with applicable EU requirements in typical operating positions. Products can be operated without maintaining a separation distance unless otherwise indicated in instructions specific to the product.


### Restrictions for products with radio functionality

 CAUTION: IEEE 802.11x wireless LAN with 5.15–5.35 GHz frequency band is restricted for indoor use only in all European Union member states, EFTA (Iceland, Norway, Liechtenstein), and most other European countries (e.g., Switzerland, Turkey, Republic of Serbia). Using this WLAN application outdoors might lead to interference issues with existing radio services.

### Radio frequency bands and maximum power levels

Features	:802.11 a/b/g/n/ac, BT
Frequency Range	:2.4GHz, 5GHz
Modulation	:FHSS, DSSS, OFDM
Power Output	:10, 20, 23
Channel Band Width	:1, 5, 20, 40, 80MHz

## 产品中有害物质的名称及含量

部件名称	有害物质					
	铅 (Pb)	汞 (Hg)	镉 (Cd)	六价铬 (Cr(VI))	多溴联苯 (PBB)	多溴二苯醚 (PBDE)
印刷电路板组件*	×	○	○	○	○	○
电池** 	×	○	○	○	○	○
外部信号连接头	×	○	○	○	○	○
线材	×	○	○	○	○	○

本表格依据 SJ/T 11364 的规定编制。

○：表示该有害物质在该部件所有均质材料中的含量均在 GB/T 26572 规定的限量要求以下。

×：表示该有害物质至少在该部件的某一均质材料中的含量超出 GB/T 26572 规定的限量要求，但所有部件都符合欧盟 RoHS 要求。

\* 印刷电路板组件：包括印刷电路板及其构成的零部件。

\*\* 电池本体上如有环保使用期限标识，以本体标识为主。

■ 上述有毒有害物质或元素清单会依型号之部件差异而有所增减。

■ 产品部件本体上如有环保使用期限标识，以本体标识为主。

## 限用物質含有情況標示聲明書

單元	限用物質及其化學符號					
	鉛 (Pb)	汞 (Hg)	鎘 (Cd)	六價鉻 (Cr <sup>VI</sup> )	多溴聯苯 (PBB)	多溴二苯醚 (PBDE)
電路板	○	○	○	○	○	○
電子元件	—	○	○	○	○	○
金屬機構件	—	○	○	○	○	○
塑膠機構件	○	○	○	○	○	○

備考 1. “超出 0.1 wt %” 及 “超出 0.01 wt %” 係指限用物質之百分比含量超出百分比含量基準值。

備考 2. “○” 係指該項限用物質之百分比含量未超出百分比含量基準值。

備考 3. “—” 係指該項限用物質為排除項目。

## Copyright

**msi** Micro-Star Int'l Co., Ltd.  
Copyright © 2018 All rights reserved.

The MSI logo used is a registered trademark of Micro-Star Int'l Co., Ltd. All other marks and names mentioned may be trademarks of their respective owners. No warranty as to accuracy or completeness is expressed or implied. MSI reserves the right to make changes to this document without prior notice.

## Technical Support

If a problem arises with your system and no solution can be obtained from the user guide, please contact your place of purchase or local distributor. Alternatively, please try the following help resources for further guidance.

- Visit the MSI website for technical guide, BIOS updates, driver updates, and other information: <http://www.msi.com>
- Register your product at: <http://register.msi.com>

## Revision History

Version 2.0, 2018/08, First release  
Version 2.1, 2018/10, Update Wi-Fi Spec.