

## MED-M100

## NEOMOUNTS MED-M100 MEDICAL MOBILE WORKSTATION -17" - GAS SPRING - LOCKABLE

### SPECIFICATIONS

#### GENERAL

Max. screen size*	17
Min. weight	0
Max. weight	5

#### FUNCTIE

Type	Swivel
Height adjustment	89,2-121,2 cm
Width adjustment	60 cm
Depth adjustment	54,4 cm
Lockable	Lockable - Lock included
Adjustment type	Gas spring

#### INFORMATION

Color	Grey
Main material	Steel
Warranty	5 year

\*Please note: The inch sizes stated are just an indication, combined with the weight and VESA sizes. The maximum weight and VESA size are absolute restrictions for the products and should not be exceeded.



Neomounts



Neomounts

### Neomounts MED-M100 Medical mobile workstation - 17" - max 5 kg - gas spring - lockable (incl. lock) - grey

The Neomounts medical laptop cart, model MED-M100 is a mobile workplace for laptop, keyboard and mouse. This laptop cart is a great choice for space saving placement or when wall-, ceiling mounting or desk placement is not an option. This cart stretches your investment by sharing a workplace over multiple rooms like hospitals. Get optimal positioning for both standing and seated users, in any part of your location.

Neomounts' laptop cart increases the use of computing in numerous environments like hospitals, offices, schools, workshops and so on. By using an ergonomic cart neck- and back complaints can be avoided. The cart is easily height adjustable from 89,2 to 121,2 centimetres. An innovative cable management conceals and routes cables. Hide your cables to keep the workplace nice, tidy and easy to clean.

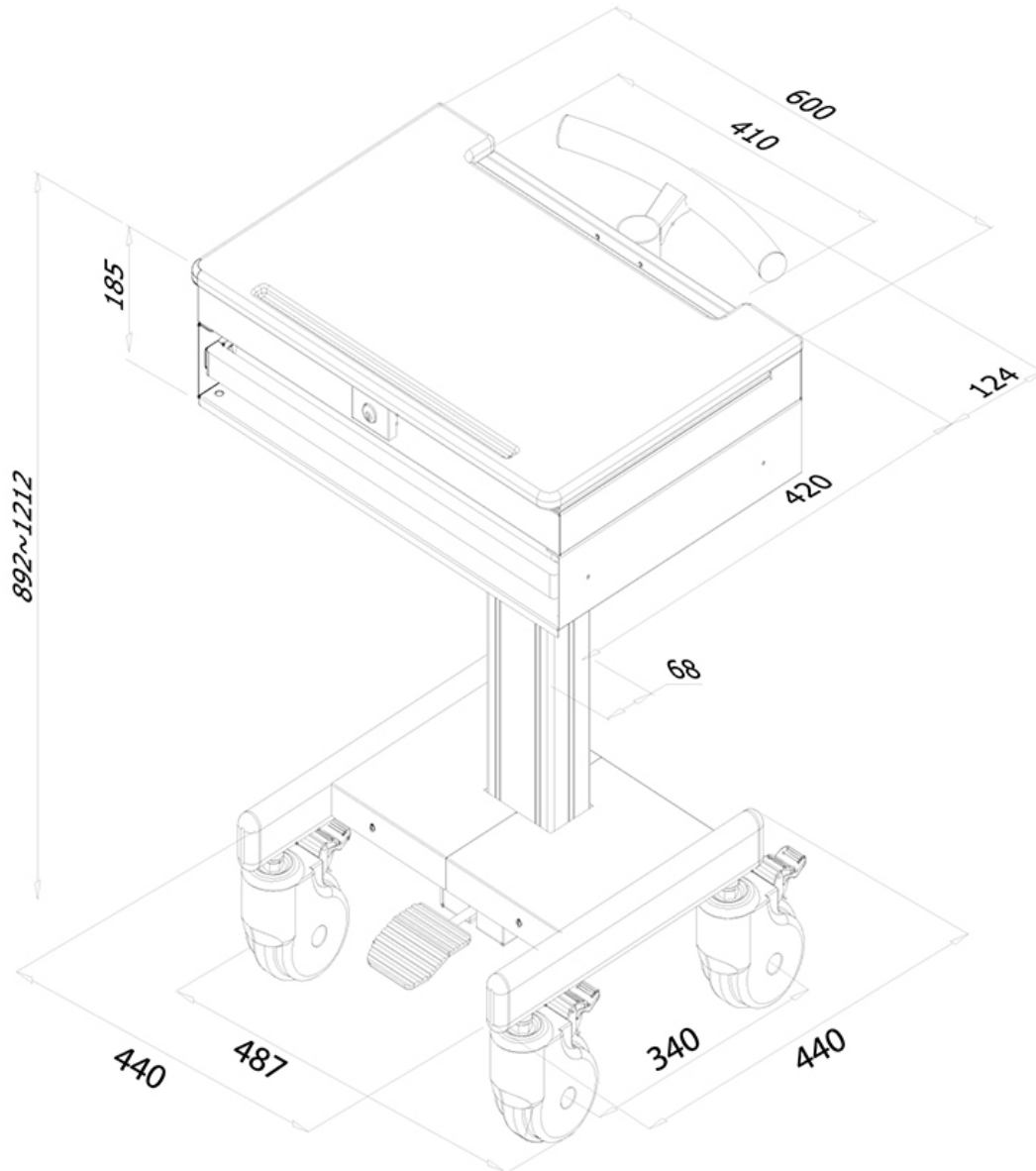
Neomounts' laptop cart, MED-M100 holds your laptop in a secure lockable cabinet and even hides your cables. The heavy duty casters allow the stand to move it to where you need it. Easily roll this cart through doorways and over thresholds.

Neomounts MED-M100 is suitable for laptops up to 22" (55 cm). Different mice and keyboards can be used on the adjustable keyboard and mouse holder. The total weight capacity of this cart is 5 kilogram. Open-architecture design accommodates most laptops including widescreens easing future hardware deployments and upgrades. Speedy assembly and installation.

All installation material is included with the product.

MED-M100

## NEOMOUNTS MED-M100 MEDICAL MOBILE WORKSTATION -17" - GAS SPRING - LOCKABLE



Neomounts

Measuring unit: mm