

Dell EMC PowerEdge T440

Technical Specifications

Notes, cautions, and warnings

 **NOTE:** A NOTE indicates important information that helps you make better use of your product.

 **CAUTION:** A CAUTION indicates either potential damage to hardware or loss of data and tells you how to avoid the problem.

 **WARNING:** A WARNING indicates a potential for property damage, personal injury, or death.

© 2017 - 2018 Dell Inc. or its subsidiaries. All rights reserved. Dell, EMC, and other trademarks are trademarks of Dell Inc. or its subsidiaries. Other trademarks may be trademarks of their respective owners.

Contents

1 Dell EMC PowerEdge T440 system overview.....	4
2 Technical specifications.....	5
System dimensions.....	6
Chassis weight.....	6
Processor specifications.....	7
Supported operating systems.....	7
Cooling fan specifications.....	7
PSU specifications.....	7
System battery specifications.....	7
Expansion bus specifications.....	7
Memory specifications.....	8
Storage controller specifications.....	8
Drive specifications.....	8
Drives.....	8
Optical drive and tape drive.....	8
Ports and connectors specifications.....	9
USB ports.....	9
NIC ports.....	9
VGA ports.....	9
Serial connector.....	9
Internal Dual microSD Module or vFlash card.....	9
Video specifications.....	10
Environmental specifications.....	10
Standard operating temperature.....	11
Expanded operating temperature.....	11
Particulate and gaseous contamination specifications.....	13
3 Documentation resources.....	14
4 Getting help.....	16
Contacting Dell EMC.....	16
Documentation feedback.....	16
Accessing system information by using QRL.....	16
Quick Resource Locator for Dell EMC PowerEdge T440 system.....	17
Receiving automated support with SupportAssist	17
Recycling or End-of-Life service information.....	18

Dell EMC PowerEdge T440 system overview

The Dell EMC PowerEdge T440 system is a dual-socket, 5U rackable tower server that supports up to:

- Two Intel Xeon Scalable Processors
- 16 DIMM slots
- 4 or 8 x 3.5-inch SAS/SATA drive or SSDs, or 16 x 2.5-inch SAS/SATA drive bays (up to 12 Gbps SAS and 6 Gbps SATA)
- Redundant power supply units (PSUs)
- Cabled power supply units (PSUs)

Technical specifications

The technical and environmental specifications of your system are outlined in this section.

Topics:

- System dimensions
- Chassis weight
- Processor specifications
- Supported operating systems
- Cooling fan specifications
- PSU specifications
- System battery specifications
- Expansion bus specifications
- Memory specifications
- Storage controller specifications
- Drive specifications
- Ports and connectors specifications
- Video specifications
- Environmental specifications

System dimensions

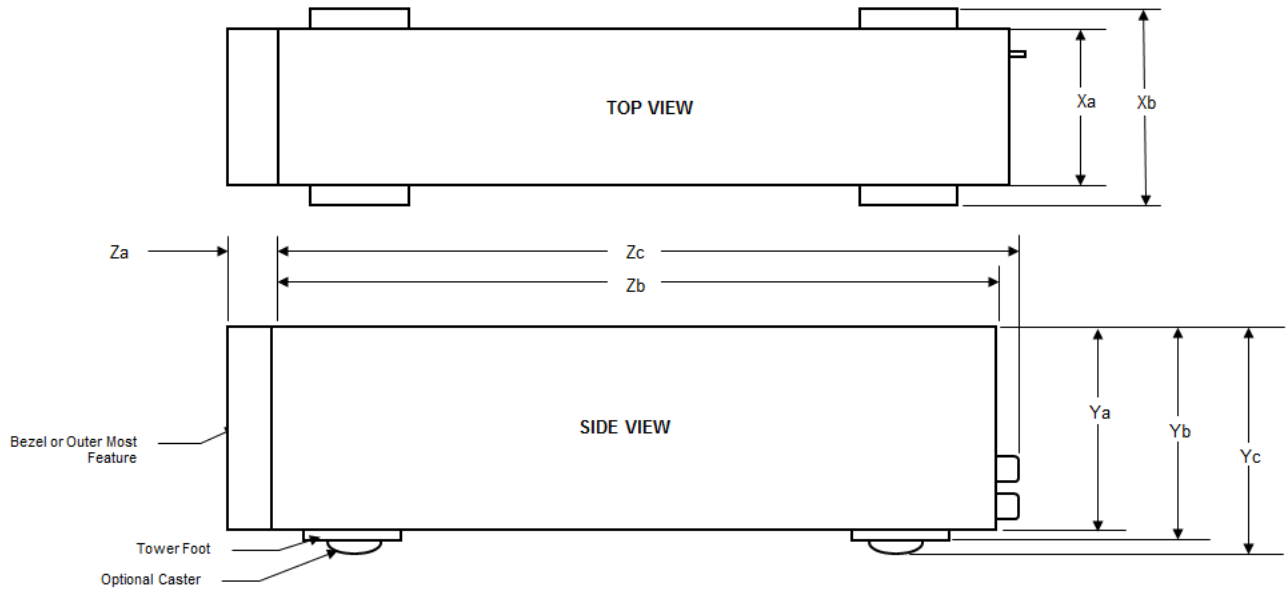


Figure 1. Dell EMC PowerEdge T440 system dimensions

Table 1. Dimensions of Dell EMC PowerEdge T440 system

Xa	Xb	Ya	Yb	Yc	Za	Zb	Zc
304.5 mm (11.98 in)	218 mm (8.58 in)	430.3 mm (16.94 in)	443.3 mm (17.45 in)	471.333 mm (17.37 in)	(with bezel) 37.065 mm (1.45 in) (without bezel) 21.165 mm (0.83 in)	538.4 mm (21.19 in)	573.636 mm (22.58 in)

Chassis weight

Table 2. Dell EMC PowerEdge T440 Chassis weight

System configuration	Maximum weight
4 x 3.5-inch drive system	23 Kg (50.71 lb)
8 x 3.5-inch drive system	29.3 Kg (64.60 lb)
16 x 2.5-inch drive system	27.7 Kg (61.06 lb)

Processor specifications

The Dell EMC PowerEdge T440 system supports up to two Intel Xeon Scalable Processor, up to 14 cores per processor.

Supported operating systems

The Dell EMC PowerEdge T440 system supports the following operating systems:

- Canonical Ubuntu LTS
- Citrix XenServer
- Microsoft Windows Server with Hyper-V
- Red Hat Enterprise Linux
- SUSE Linux Enterprise Server
- VMware ESXi

NOTE: For more information about the specific versions and additions, go to <https://www.dell.com/support/home/Drivers/SupportedOS/poweredge-t440>.

Cooling fan specifications

The Dell EMC PowerEdge T440 system supports the following:

- An internal cooling fan
- An optional external cooling fan at the back of the chassis

NOTE: When selecting or upgrading your system configuration, verify the system power consumption with the Dell Energy Smart Solution Advisor at Dell.com/ESSA to ensure optimum power utilization.

PSU specifications

The Dell EMC PowerEdge T440 system supports the following AC redundant power supply units (PSU):

Table 3. Dell EMC PowerEdge T440 system PSU specifications

PSU	Class	Heat dissipation (maximum)	Frequency	Voltage
1100 W AC	Platinum	4100 BTU/hr	50/60 Hz	100–240 V AC, autoranging
750 W AC	Platinum	2891 BTU/hr	50/60 Hz	100–240 V AC, autoranging
495 W AC	Platinum	1908 BTU/hr	50/60 Hz	100–240 V AC, autoranging
450 W	Bronze	1871 BTU/hr	50/60 Hz	100–240 V AC, cabled PSU

This system is also designed to connect to the IT power systems with a phase to phase voltage not exceeding 230 V.

System battery specifications

The Dell EMC PowerEdge T440 system supports CR 2032 3.0-V lithium coin cell system battery.

Expansion bus specifications

The Dell EMC PowerEdge T440 system supports five PCI express (PCIe) generation 3 expansion cards.

Memory specifications

Table 4. Memory specifications

DIMM type	DIMM rank	DIMM capacity	Single processor		Dual processors	
			Minimum RAM	Maximum RAM	Minimum RAM	Maximum RAM
RDIMM	Single rank	8 GB	8 GB	80 GB	16 GB	128 GB
RDIMM	Dual rank	16 GB	16 GB	160 GB	32 GB	256 GB
RDIMM	Dual rank	32 GB	32 GB	320 GB	64 GB	512 GB
LRDIMM	Quad rank	64 GB	64 GB	640 GB	128 GB	1024 GB

Storage controller specifications

The Dell EMC PowerEdge T440 system supports:

- **Internal controllers:** PowerEdge Expandable RAID Controller (PERC) H730P, HBA330, H740P, H330, Software RAID (SWRAID)S140
- **External PERC (RAID):** H840
- **External HBAs (non-RAID):** 12Gbps SAS HBA
- **Boot Optimized Storage Subsystem (BOSS):** HWRAID 2 x M.2 SSDs 120GB or 240GB with 6Gbps
 - x8 connector using PCIe gen 2.0 x2 lanes, available only in the low-profile and half-height form factor

Drive specifications

Drives

The Dell EMC PowerEdge T440 system supports:

- Up to 4 x 3.5-inch cabled drives with drive adapter, internal, SATA, or Nearline SAS drives
or
- Up to 8 x 3.5-inch hot swappable drives with drive adapter, internal, hot swappable SAS/SATA drives
or
- Up to 16 x 2.5-inch hot swappable drives with drive adapter, internal, hot swappable SAS/SATA drives

Optical drive and tape drive

The Dell EMC PowerEdge T440 system supports:

- one optional slim SATA DVD-ROM drive or DVD +/-RW drive
- internal tape drives LTO5, LTO6, LTO7 and external SAS drives.

Your system supports one of the following configurations:

- Systems with cabled drives support one optical drive and one tape drive.
- Systems with hot-swappable drives support up to one optical drive and two tape drives.

Ports and connectors specifications

USB ports

Dell EMC PowerEdge T440 system

Table 5. USB specifications

Front panel	Back panel
<ul style="list-style-type: none">· One USB 2.0-compliant port· One USB 3.0-compliant port	<ul style="list-style-type: none">· 4 USB 2.0-compliant rear ports· 2 USB 3.0-compliant rear ports

NIC ports

The Dell EMC PowerEdge T440 system supports two Network Interface Controller (NIC) ports on the back panel each with 1 Gbps configuration.

NOTE: You can install up to five PCIe add-on cards.

VGA ports

The Video Graphic Array (VGA) port enables you to connect the system to a VGA display. The Dell EMC PowerEdge T440 system supports one 15-pin VGA ports on the back of the system.

Serial connector

The Dell EMC PowerEdge T440 system supports one serial connector on the back panel, which is a 9-pin connector, Data Terminal Equipment (DTE), 16550-compliant.

Internal Dual microSD Module or vFlash card

The Dell EMC PowerEdge T440 system supports Internal Dual microSD module (IDSDM) and vFlash card. In 14th generation of PowerEdge servers, IDSDM and vFlash card are combined into a single card module, and are available in these configurations:

- vFlash or
- IDSDM or
- vFlash and IDSDM

The IDSDM/vFlash card sits in the back of the system, in a Dell-proprietary slot. IDSDM/vFlash card supports three micro SD cards (two cards for IDSDM and one card for vFlash). microSD cards capacity for IDSDM are 16/32/64 GB while for vFlash the microSD card capacity is 16 GB.

Micro SD cards are supported only on IDSDM SD card slots.

The IDSDM or vFlash module combines the IDSDM or vFlash features into a single module.

NOTE: The write-protect switch is on the IDSDM or vFlash module.

Video specifications

The Dell EMC PowerEdge T440 system supports Matrox G200eR2 graphics card with 16 MB capacity.

Table 6. Supported video resolution options

Resolution	Refresh rate	Color depth (bits)
640x480	60, 70	8, 16, 32
800x600	60, 75, 85	8, 16, 32
1024x768	60, 75, 85	8, 16, 32
1152x864	60, 75, 85	8, 16, 32
1280x1024	60, 75	8, 16, 32
1440x900	60	8, 16, 32

Environmental specifications

NOTE: For additional information about environmental certifications, please refer to the Product Environmental Datasheet located with the Manuals & Documents on Dell.com/poweredge/manuals

Table 7. Temperature specifications

Temperature	Specifications
Storage	-40°C–65°C (-40°F–149°F)
Continuous operation (for altitude less than 950 m or 3117 ft)	10°C–35°C (50°F–95°F) with no direct sunlight on the equipment.
Maximum temperature gradient (operating and storage)	20°C/h (68°F/h)

Table 8. Relative humidity specifications

Relative humidity	Specifications
Storage	5% to 95% RH with 33°C (91°F) maximum dew point. Atmosphere must be noncondensing always.
Operating	10% to 80% relative humidity with 29°C (84.2°F) maximum dew point.

Table 9. Maximum vibration specifications

Maximum vibration	Specifications
Operating	0.26 G _{rms} at 5 Hz to 350 Hz (all 3 axes).
Storage	1.88 G _{rms} at 10 Hz to 500 Hz for 15 min (all six sides tested).

Table 10. Maximum shock specifications

Maximum shock	Specifications
Operating	Six consecutively executed shock pulses in the positive and negative x, y, and z axes of 6 G for up to 11 ms.
Storage	6 consecutively executed shock pulses in the positive and negative x, y, and z axes (one pulse on each side of the system) of 71 G for up to 2 ms.

Table 11. Maximum altitude specifications

Maximum altitude	Specifications
Operating	3048 m (10,000 ft)
Storage	12,000 m (39,370 ft)

Table 12. Operating temperature derating specifications

Operating temperature derating	Specifications
Up to 35°C (95°F)	Maximum temperature reduces by 1°C/300 m (1°F/547 ft) above 950 m (3,117 ft).
35 °C–40°C (95 °F–104°F)	Maximum temperature reduces by 1°C/175 m (1°F/319 ft) above 950 m (3,117 ft).
40 °C–45°C (104 °F–113°F)	Maximum temperature reduces by 1°C/125 m (1°F/228 ft) above 950 m (3,117 ft).

Standard operating temperature

Table 13. Standard operating temperature specifications

Standard operating temperature	Specifications
Continuous operation (for altitude less than 950 m or 3117 ft)	10°C–35°C (50°F–95°F) with no direct sunlight on the equipment.

Expanded operating temperature

Table 14. Expanded operating temperature specifications

Expanded operating temperature	Specifications
Continuous operation	5°C–40°C at 5% to 85% RH with 29°C dew point. i NOTE: Outside the standard operating temperature (10°C–35°C), the system can operate continuously in temperatures as low as 5°C and as high as 40°C.

Expanded operating temperature	Specifications
	For temperatures between 35°C–40°C, derate maximum allowable temperature by 1°C per 175 m above 950 m (1°F per 319 ft).
≤ 1% of annual operating hours	<p>–5°C–45°C at 5% to 90% RH with 29°C dew point.</p> <p>NOTE: Outside the standard operating temperature (10–35°C), the system can operate down to –5°C or up to 45°C for a maximum of 1% of its annual operating hours.</p> <p>For temperatures 40°C–45°C, derate maximum allowable temperature by 1°C per 125 m above 950 m (1°F per 228 ft).</p>

NOTE: When operating in the expanded temperature range, system performance may be impacted.

NOTE: When operating in the expanded temperature range, ambient temperature warnings may be reported in the System Event Log.

Expanded operating temperature restrictions

- Do not perform a cold startup below 5°C.
- The operating temperature specified is for a maximum altitude of 3048 m (10,000 ft).
- Two nonredundant power supply units are required.
- Two nonredundant system fans are required.
- Non-Dell qualified peripheral cards and/or peripheral cards greater than 25 W are not supported.
- GPU is not supported.
- Tape backup unit is not supported.

Thermal restriction matrix

Table 15. Thermal restriction matrix for Dell EMC PowerEdge T440 system

Storage configuration			4x 3.5-inch cable drive	8x 3.5-inch drive	16x 2.5-inch drive
Processor number	TDP (W)	Core count	Ambient support = 35°C		
Intel Xeon Gold 5122	105	4	Yes	Yes	Yes
Intel Xeon Platinum 8156	105	4	Yes	Yes	Yes
Intel Xeon Gold 5120	105	14	Yes	Yes	Yes
Intel Xeon Gold 5118	105	12	Yes	Yes	Yes
Intel Xeon Gold 5115	85	10	Yes	Yes	Yes
Intel Xeon Silver 4116	85	12	Yes	Yes	Yes
Intel Xeon Silver 4114	85	10	Yes	Yes	Yes
Intel Xeon Silver 4110	85	8	Yes	Yes	Yes
Intel Xeon Silver 4108	85	8	Yes	Yes	Yes

Storage configuration			4x 3.5-inch cable drive	8x 3.5-inch drive	16x 2.5-inch drive
Processor number	TDP (W)	Core count	Ambient support = 35°C		
Intel Xeon Bronze 3106	85	8	Yes	Yes	Yes
Intel Xeon Bronze 3104	85	6	Yes	Yes	Yes
Intel Xeon Silver 4112	85	4	Yes	Yes	Yes

Particulate and gaseous contamination specifications

The following table defines the limitations that help avoid any equipment damage or failure from particulate and gaseous contamination. If the levels of particulate or gaseous pollution exceed the specified limitations and result in equipment damage or failure, you may need to rectify the environmental conditions. Remediation of environmental conditions is the responsibility of the customer.

Table 16. Particulate contamination specifications

Particulate contamination	Specifications
Air filtration	<p>Data center air filtration defines, ISO Class 8 per ISO 14644-1 with a 95% upper confidence limit.</p> <p>NOTE: The ISO Class 8 condition applies to data center environments only. This air filtration requirement does not apply to IT equipment designed to be used outside a data center, in environments such as an office or factory floor.</p> <p>NOTE: Air entering the data center must have MERV11 or MERV13 filtration.</p>
Conductive dust	<p>Air must be free of conductive dust, zinc whiskers, or other conductive particles.</p> <p>NOTE: This condition applies to data center and nondata center environments.</p>
Corrosive dust	<ul style="list-style-type: none"> Air must be free of corrosive dust. Residual dust present in the air must have a deliquescent point less than 60% relative humidity. <p>NOTE: This condition applies to data center and nondata center environments.</p>

Table 17. Gaseous contamination specifications

Gaseous contamination	Specifications
Copper coupon corrosion rate	<300 Å/month per Class G1 defines, ANSI/ISA71.04-2013.
Silver coupon corrosion rate	<200 Å/month defines, ANSI/ISA71.04-2013.

NOTE: Maximum corrosive contaminant levels measured at ≤50% relative humidity.

Documentation resources

This section provides information about the documentation resources for your system.

To view the document that is listed in the documentation resources table:

- From the Dell EMC support site:
 - a Click the documentation link that is provided in the Location column in the table.
 - b Click the required product or product version.

i | NOTE: To locate the product name and model, see the front of your system.

 - c On the Product Support page, click **Manuals & documents**.
- Using search engines:
 - Type the name and version of the document in the search box.

Table 18. Additional documentation resources for your system

Task	Document	Location
Setting up your system	For more information about installing and securing the system into a rack, see the Rail Installation Guide included with your rack solution. For information about setting up your system, see the <i>Getting Started Guide</i> document that is shipped with your system.	Dell.com/poweredgemanuals
Configuring your system	For information about the iDRAC features, configuring and logging in to iDRAC, and managing your system remotely, see the Integrated Dell Remote Access Controller User's Guide. For information about understanding Remote Access Controller Admin (RACADM) subcommands and supported RACADM interfaces, see the RACADM CLI Guide for iDRAC. For information about Redfish and its protocol, supported schema, and Redfish Eventing implemented in iDRAC, see the Redfish API Guide. For information about iDRAC property database group and object descriptions, see the Attribute Registry Guide.	Dell.com/poweredgemanuals
	For information about earlier versions of the iDRAC documents. To identify the version of iDRAC available on your system, on the iDRAC web interface, click ? > About .	Dell.com/idracmanuals
	For information about installing the operating system, see the operating system documentation.	Dell.com/operatingsystemmanuals

Task	Document	Location
	For information about updating drivers and firmware, see the Methods to download firmware and drivers section in this document.	Dell.com/support/drivers
Managing your system	For information about systems management software offered by Dell, see the Dell OpenManage Systems Management Overview Guide.	Dell.com/poweredgemanuals
	For information about setting up, using, and troubleshooting OpenManage, see the Dell OpenManage Server Administrator User's Guide.	Dell.com/openmanagemanuals > OpenManage Server Administrator
	For information about installing, using, and troubleshooting Dell OpenManage Essentials, see the Dell OpenManage Essentials User's Guide.	Dell.com/openmanagemanuals > OpenManage Essentials
	For information about installing and using Dell SupportAssist, see the Dell EMC SupportAssist Enterprise User's Guide.	Dell.com/serviceabilitytools
	For information about partner programs enterprise systems management, see the OpenManage Connections Enterprise Systems Management documents.	Dell.com/openmanagemanuals
Working with the Dell PowerEdge RAID controllers	For information about understanding the features of the Dell PowerEdge RAID controllers (PERC), Software RAID controllers, or BOSS card and deploying the cards, see the Storage controller documentation.	Dell.com/storagecontrollermanuals
Understanding event and error messages	For information about the event and error messages generated by the system firmware and agents that monitor system components, see the Error Code Lookup.	Dell.com/qrl
Troubleshooting your system	For information about identifying and troubleshooting the PowerEdge server issues, see the Server Troubleshooting Guide.	Dell.com/poweredgemanuals

Getting help

Topics:

- [Contacting Dell EMC](#)
- [Documentation feedback](#)
- [Accessing system information by using QRL](#)
- [Receiving automated support with SupportAssist](#)
- [Recycling or End-of-Life service information](#)

Contacting Dell EMC

Dell EMC provides several online and telephone based support and service options. If you do not have an active internet connection, you can find contact information about your purchase invoice, packing slip, bill, or Dell EMC product catalog. Availability varies by country and product, and some services may not be available in your area. To contact Dell EMC for sales, technical assistance, or customer service issues:

- 1 Go to Dell.com/support/home.
- 2 Select your country from the drop-down menu on the lower right corner of the page.
- 3 For customized support:
 - a Enter your system Service Tag in the **Enter your Service Tag** field.
 - b Click **Submit**.The support page that lists the various support categories is displayed.
- 4 For general support:
 - a Select your product category.
 - b Select your product segment.
 - c Select your product.The support page that lists the various support categories is displayed.
- 5 For contact details of Dell EMC Global Technical Support:
 - a Click [Global Technical Support](#).
 - b The **Contact Technical Support** page is displayed with details to call, chat, or e-mail the Dell EMC Global Technical Support team.

Documentation feedback

You can rate the documentation or write your feedback on any of our Dell EMC documentation pages and click **Send Feedback** to send your feedback.

Accessing system information by using QRL

You can use the Quick Resource Locator (QRL) located on the information tag in the front of the T440, to access the information about the Dell EMC PowerEdge T440.

Prerequisites

Ensure that your smartphone or tablet has the QR code scanner installed.

The QRL includes the following information about your system:

- How-to videos
- Reference materials, including the Installation and Service Manual, and mechanical overview
- Your system service tag to quickly access your specific hardware configuration and warranty information
- A direct link to Dell to contact technical assistance and sales teams

Steps

- 1 Go to Dell.com/qrl and navigate to your specific product or
- 2 Use your smartphone or tablet to scan the model-specific Quick Resource (QR) code on your system or in the Quick Resource Locator section.

Quick Resource Locator for Dell EMC PowerEdge T440 system

Quick Resource Locator for Dell EMC PowerEdge T440 system



Receiving automated support with SupportAssist

Dell EMC SupportAssist is an optional Dell EMC Services offering that automates technical support for your Dell EMC server, storage, and networking devices. By installing and setting up a SupportAssist application in your IT environment, you can receive the following benefits:

- **Automated issue detection** — SupportAssist monitors your Dell EMC devices and automatically detects hardware issues, both proactively and predictively.
- **Automated case creation** — When an issue is detected, SupportAssist automatically opens a support case with Dell EMC Technical Support.
- **Automated diagnostic collection** — SupportAssist automatically collects system state information from your devices and uploads it securely to Dell EMC. This information is used by Dell EMC Technical Support to troubleshoot the issue.
- **Proactive contact** — A Dell EMC Technical Support agent contacts you about the support case and helps you resolve the issue.

The available benefits vary depending on the Dell EMC Service entitlement purchased for your device. For more information about SupportAssist, go to Dell.com/supportassist.

Recycling or End-of-Life service information

Take back and recycling services are offered for this product in certain countries. If you want to dispose of system components, visit Dell.com/recyclingworldwide and select the relevant country.