



FOR PORTRAIT & LANDSCAPE MOUNTING

BTF841

SYSTEM X™

UNIVERSAL DUAL STACK

FLAT SCREEN

FLOOR STAND - 1.8M

The BTF841 is a premium mounting solution designed to mount two screens, one above the other, in either landscape or portrait orientation. A heavy duty steel base eliminates the need to bolt to the floor and adjustable levelling feet are included to accommodate uneven surfaces. The high-end aesthetic with an anodised aluminium finish and integrated cable management ensures finished installations are neat and tidy, making the BTF841 ideal for use in professional or commercial applications.

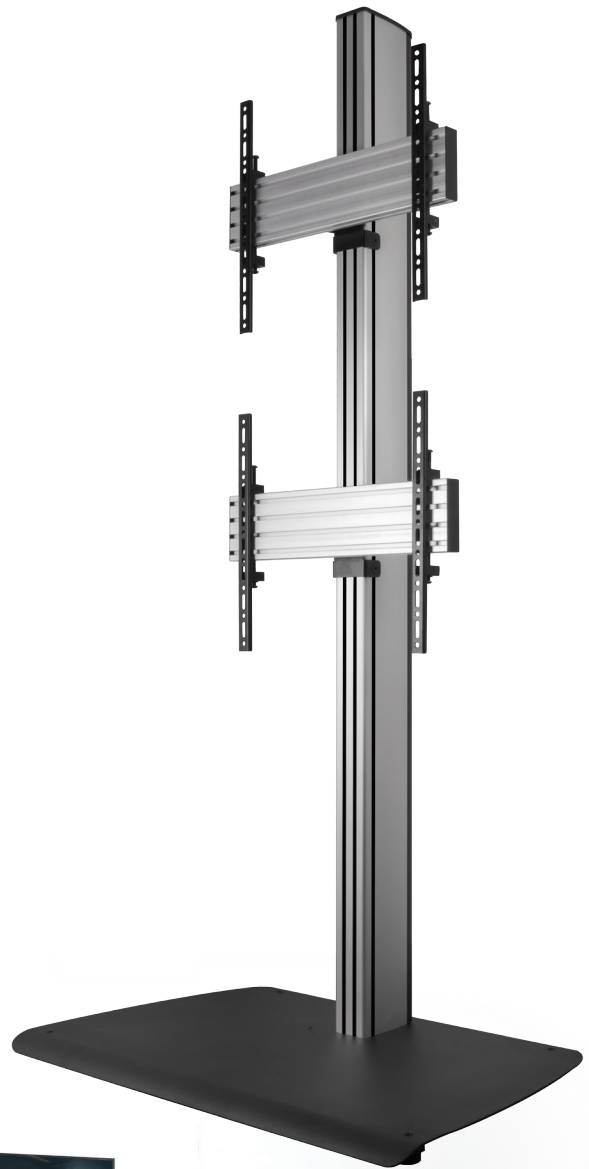
SPECIFICATION

Recommended screen size (landscape orientation)	32" to 65"
Recommended screen size (portrait orientation)	32" to 46"
Max load	35kg (per screen)
VESA® & non-VESA fixings (as standard)	up to 430 x 400mm*
VESA® & non-VESA fixings (with included adaptors)	up to 600 x 400mm*
Dimensions	W: 890mm H: 1841mm D: 604mm
Colour (column & rails)	Black or Silver
Colour (base & arms)	Black

*As standard the maximum fixing dimension is 400mm. Increase the horizontal fixing to 600mm using the included interface adaptor arms.

FEATURES

- Universal design suitable for screens in a landscape or portrait orientation
- High-end aesthetic quality
- Heavy duty steel base construction provides stability, eliminating the need to bolt to the floor
- Can also be bolted to the floor to help prevent unauthorised relocation of the display(s)
- Supplied with adjustable levelling feet to accommodate uneven floor surfaces
- Arms feature levelling screws to adjust the screen height
- Collar compatible accessories such as shelves (*available separately*) can be fitted directly to the column
- Integrated cable management for a neat and tidy installation
- Safety screws help prevent unauthorised screen removal
- Simple 'hook-on' screen installation
- All mounting hardware included



	LANDSCAPE	PORTRAIT	PER SCREEN		COLUMN / RAILS	BASE / ARMS



Maximum VESA fixing can be increased to 600mm using the included adapter arms



Supplied with adjustable levelling feet to accommodate uneven floor surfaces

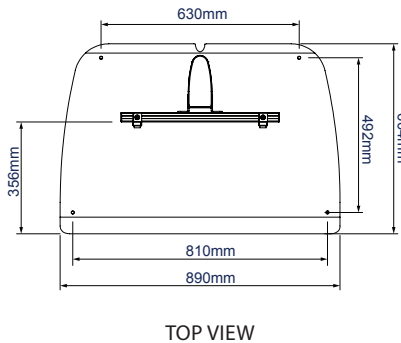
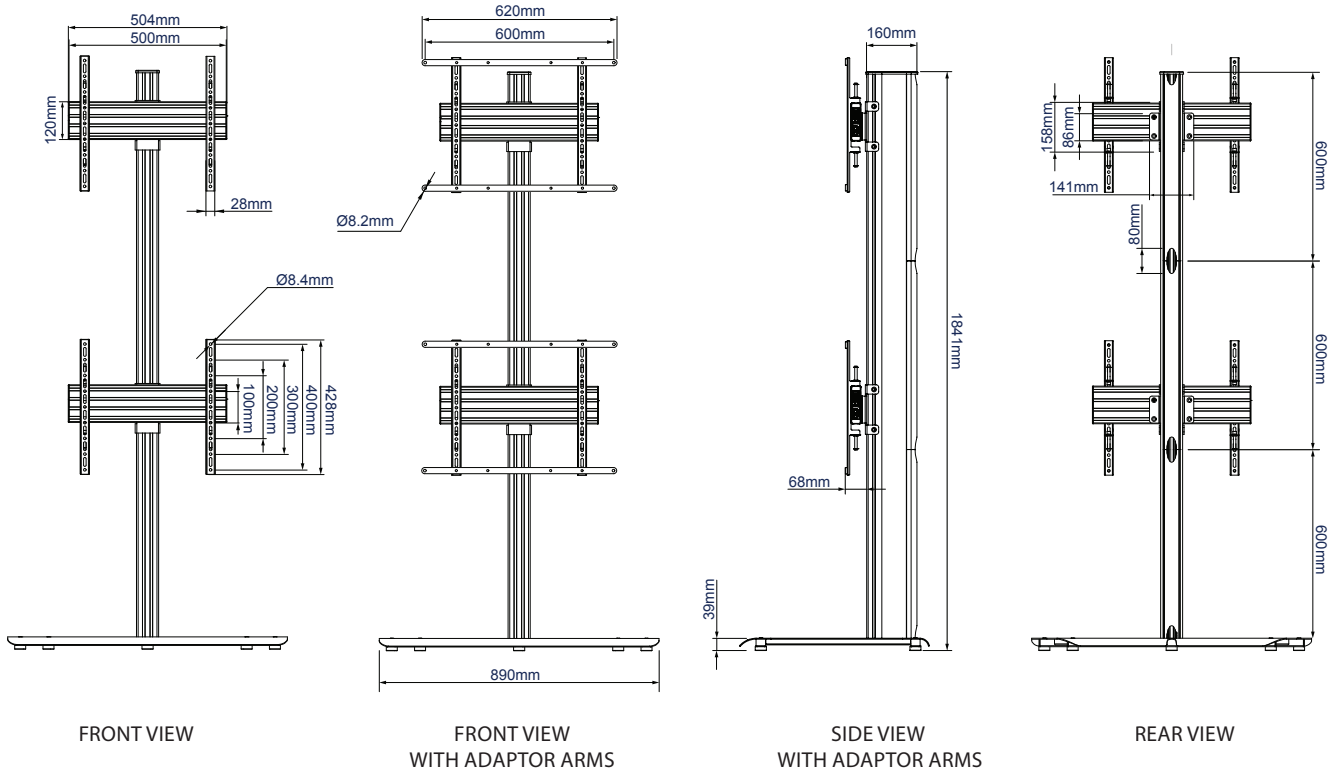


Collar compatible accessories such as shelves (*available separately*) can be fitted directly to the column



Integrated cable management for a neat and tidy installation





PACKING INFORMATION

PLEASE NOTE, THIS IS A MULTI-BOX ITEM

COLOUR:	ORDER REF:	EAN CODE:
Black	BTF841/BB	5019318087561
Silver	BTF841/BS	5019318087578

ACCESSORIES AND RELATED PRODUCTS



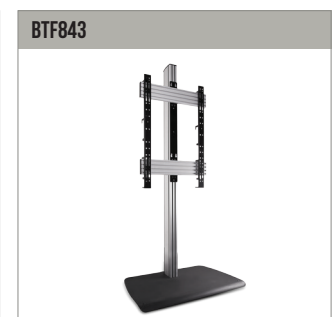
BT7032
 Large AV Accessory Shelf is ideal for adding AV accessories such as a Blu-Ray player or laptop to an installation or a wall



BT8390-VESA400T
 VESA 400 Interface Arms designed to mount medium / large sized screens in a tilted position



BTF842
 System X Dual Stack Floor Stand - 2.4m designed to mount two screens, one above the other, in portrait or landscape style



BTF843
 System X Portrait Floor Stand - 1.8m designed to mount a single large screen in portrait style

© 2017 B-Tech Mounts. Design & Manufacture. All rights reserved.
 The information in this specification is subject to change without notice. B-Tech Mounts and B-Tech Technology are registered trademarks of B-Tech International Design & Manufacturing Limited.
 We warrant the goods to be free from defects in materials and workmanship for a period of 12 months from the date of purchase. B-Tech Mounts and B-Tech Technology accept no liability for loss or damage caused by improper installation or use. Any reproduction or transmission or publication of any part of this specification is expressly prohibited unless prior written permission has been granted by B-Tech International Design & Manufacturing Limited. E&OE.

SS-V1-BTF841-260517