



FOR TWO
 SCREENS
 UP TO 65"

BT85 13

TWIN SCREEN VC DISPLAY TROLLEY

The BT8513 is the ideal mobile video conferencing solution for twin screens up to 65". The trolley is supplied with a shelf for VC cameras which gives the user the flexibility to mount their camera either above or below the screens and integrated cable management keeps finished installations neat and tidy. Non-marking braked castors allow the trolley to be relocated easily and safely without marking floor surfaces and optional screw-in levelling feet are also included for freestanding applications if mobility is not required.

SPECIFICATION

Recommended screen size	56" to 65"
Max load	60kg (per screen)
VESA® and non-VESA fixings	up to 600 x 400mm
Dimensions	W:2004mm H:1680mm D:810mm
Colour option (Ø60mm poles)	Black or Chrome

FEATURES

- Universal design suitable for mounting two large sized screens side-by-side
- High-end aesthetic quality
- Includes VC shelf which can be fixed above or below the screens
- Features non-marking 4" locking/braked castors
- Also supplied with adjustable levelling feet
- Arms feature levelling screws to adjust the screen height
- Accessories such as shelves can be fitted to the poles using Ø60mm collars
- Integrated cable management for a neat and tidy installation
- Safety screws help prevent unauthorised screen removal
- Simple 'hook-on' screen installation



SYSTEM X

PER SCREEN POLES



Simple 'hook-on' installation



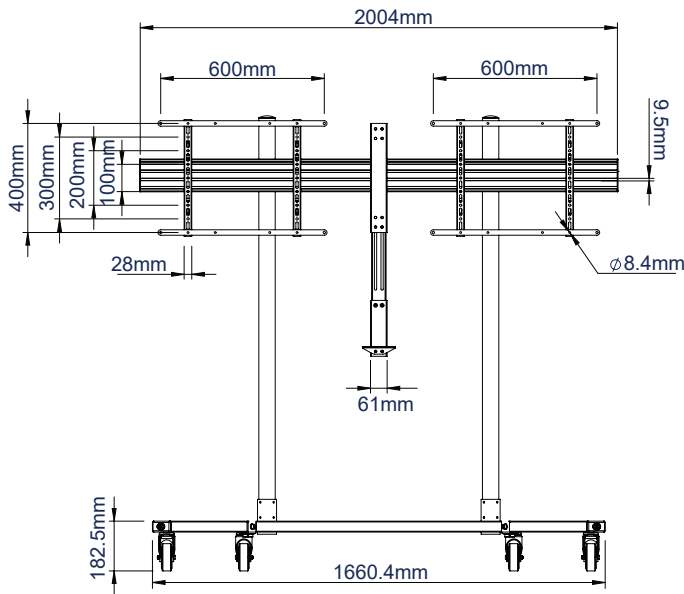
VC shelf can mount camera above or below the screens



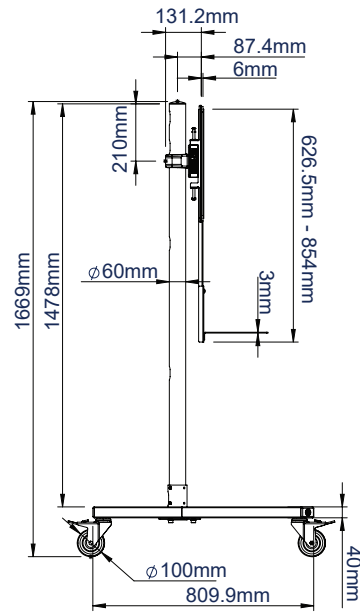
Includes non-marking 4" locking/braked castors



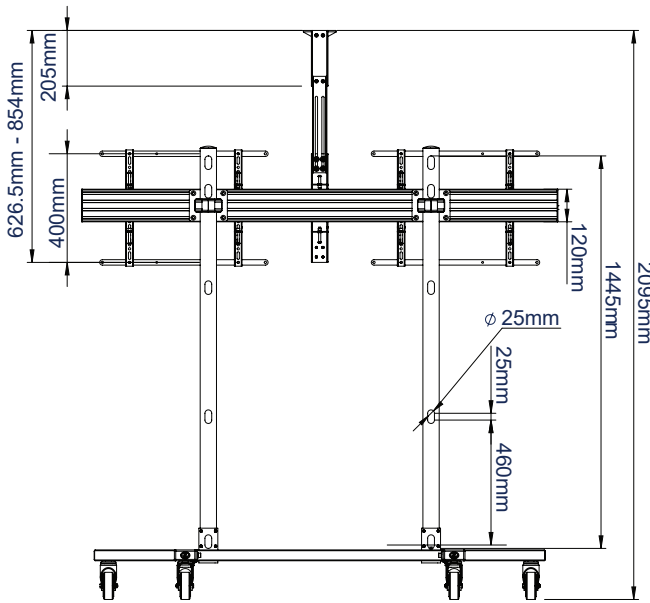
Collar compatible accessories can be fitted to the poles



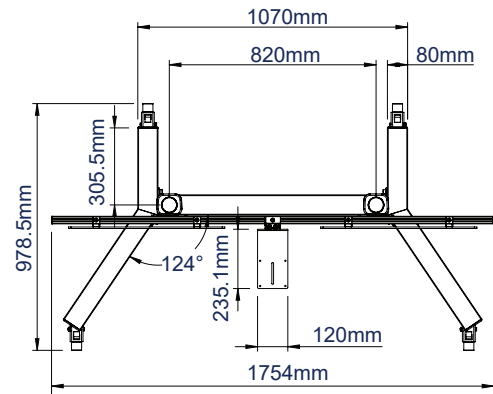
FRONT VIEW



SIDE VIEW



REAR VIEW



TOP VIEW

PACKING INFORMATION

PLEASE NOTE, THIS IS A 3 BOX ITEM.

COLOUR:	ORDER REF:	EAN CODE:	CARTON QTY:	CARTON WEIGHT:	CARTON CUBE:
Black Base & Black Poles	BT8513/BB	5019318501838	3	12.5kg / 17kg / 14kg	0.05cbm / 0.04cbm / 0.07cbm
Black Base & Chrome Poles	BT8513/BC	5019318501845	3	12.5kg / 17kg / 14kg	0.05cbm / 0.04cbm / 0.07cbm

ACCESSORIES AND RELATED PRODUCTS

BT7032



Large AV Accessory Shelf is ideal for adding AV accessories such as a Blu-Ray player or laptop to an installation

BT7865



Keyboard and Mouse Shelf can be mounted directly to the poles

BT7880



Apple TV Mount allows you to mount the latest Apple TV to your VC stand

BT8512



Twin Screen VC Trolley with Webcam Shelf for screens from 47" up to 55"

© 2016 B-Tech Av Mounts. All rights reserved. The information in this specification sheet reflects the current technical specifications of B-Tech Av Mounts and is subject to change without notice. B-Tech Av Mounts and the B-Tech logo are registered trademarks of B-Tech Av Mounts. All other trademarks are the property of their respective owners. B-Tech Av Mounts is not responsible for any damage caused by improper installation or use. Any reproduction or transmission of any part of this specification is strictly prohibited unless prior written permission has been granted by B-Tech Av Mounts Manufacturing Ltd. SS-V2-BT8513-010719