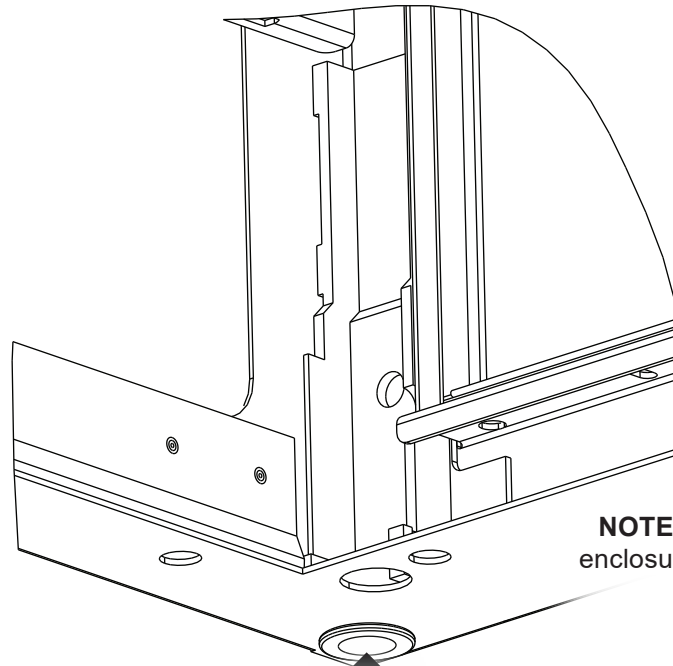


# INSTRUCTION SHEET

## LF-HD

### HEAVY DUTY LEVELING FEET



**NOTE:** Bottom corner of enclosure shown for clarity.

Adjust with an  
1 1/32" wrench.

Adjust with a  
3/4" wrench.

Adjust with  
a slotted  
screwdriver.

## THANK YOU

Thank you for purchasing the LF-HD leveling feet. Please read these instructions thoroughly before installing or assembling this product.

## PRODUCT FEATURES

- Ability to level enclosure from inside or out.
- Also works with CBS-BGR to raise the enclosure off casters once in place.



**MIDDLE  
ATLANTIC**

A brand of **legrand**

I-00494

Rev A

## WARRANTY

For warranty information, refer to [www.legrandav.com/policies/warranty\\_information](http://www.legrandav.com/policies/warranty_information).

### Contacting Corporate Headquarters

P: (866) 977-3901 | F: (877) 894-6918 | [www.legrandav.com](http://www.legrandav.com) | [av.support@legrand.com](mailto:av.support@legrand.com)

### Contacting Middle Atlantic Canada

P: (888) 766-9770 | F: (888) 599-5009 | [ca.middleatlantic.com](http://ca.middleatlantic.com) | [av.canada.customerservice@legrand.com](mailto:av.canada.customerservice@legrand.com)

### Contacting Middle Atlantic Europe, Middle East, and Africa (EMEA) Technical Support

P: +31 495-726-003 | [av.emea.middleatlantic.support@legrand.com](mailto:av.emea.middleatlantic.support@legrand.com)

#### United States (US)

Legrand | AV Headquarters  
6436 City West Parkway  
Eden Prairie, MN, 55344, USA

#### European Union (EU)

Legrand AV Netherlands  
B.V. Franklinstraat 14 6003  
DK, Weert, Netherlands

#### United Kingdom (UK)

Starline Holding Technology Ltd.  
(Authorized Representative)  
Unit C, Island Rd.  
Reading RG2, 0RP- UK

At Legrand AV Inc. we are always listening. Your comments are welcome.

Legrand AV is an ISO 9001 and ISO 14001 Registered Company.

# MIDDLE ATLANTIC®

A brand of  **legrand®**