



STANDARD

Note: The standard unit cannot connect to multi split outdoor units.



LG participates in the ECP programme for EUROVENT AC program. Check ongoing validity of certification: www.eurovent-certification.com



Smart Diagnosis



Active Energy Control



Energy Display



Dual Protection Filter



Auto Cleaning



Jet Cool



2 Way Swing



Fast Heating



Gold Fin™



Comfort Air



Low Noise 19dB (9k, 12k)



Silence Mode



Quick & Easy Installation

• Single Combination

UNIT		9K		12K		18K	
INDOOR		S09EQ.NSJ		S12EQ.NSJ		S18EQ.NSK	
Capacity	Cooling	Min/Rated/Max	kW	0.89/2.50/3.70	0.89/3.50/4.04	0.90/5.00/5.50	
	Heating +7°C	Min/Rated/Max	kW	0.89/3.30/4.10	0.89/4.00/5.10	0.90/5.80/6.40	
	Heating -7°C	Rated	kW	2.60	3.00	4.20	
Power Input	Cooling	Rated	W	656	1080	1562	
	Heating +7°C	Rated	W	800	1050	1611	
EER			W/W	3.81	3.24	3.20	
S.E.E.R.				7.0	6.6	7.0	
P design C			kW	2.5	3.5	5.0	
COP			W/W	4.13	3.81	3.60	
S.C.O.P.				4.0	4.0	4.3	
P design H			kW	2.5	2.5	3.9	
Energy Label	Cooling	(A++ to E Scale)		A++	A++	A++	
	Heating	(A+ to E Scale)		A+	A+	A+	
Annual Energy Consumption	Cooling		kWh	125	186	250	
	Heating		kWh	875	875	1270	
Sound Pressure	Cooling	Sleep	dB(A)	19	19	31	
		Low	dB(A)	27	27	34	
		Medium	dB(A)	35	35	39	
	Heating	High	dB(A)	41	41	44	
		Max (Power)	m³/min	45	45	47	
		Low	dB(A)	27	27	34	
Sound Power	Cooling	Medium	dB(A)	35	35	39	
		High	dB(A)	41	41	44	
		High	dB(A)	59	59	60	
Air Flow Rate	Cooling	Sleep	m³/min	3.0	3.0	8.0	
		Low	m³/min	4.2	4.2	10.5	
		Medium	m³/min	7.5	7.5	13.0	
	Heating	High	m³/min	10.0	10.0	14.5	
		Max (Power)	m³/min	12.5	12.5	15.5	
		Sleep	m³/min	5.6	5.6	11.0	
Dehumidification Rate	Cooling	Low	m³/min	7.2	7.2	13.5	
		Medium	m³/min	10.0	10.0	16.0	
		High	m³/min	13.0	13.0	18.5	
Running Current	Cooling	High	l/h	1.1	1.3	1.8	
		Rated	l/h	3.3	4.7	6.9	
		Max	A	6.0	6.0	9.0	
Starting Current	Heating	Rated	A	4.0	4.7	7.1	
		Max	A	7.0	7.0	9.5	
		Rated	A	3.3	4.7	6.9	
Power Supply	Heating	Rated	A	4.0	4.7	7.1	
		Max	A	7.0	7.0	9.5	
		Rated	A	3.3	4.7	6.9	
Circuit Breaker			∅ / V / Hz	1 / 220-240 / 50	1 / 220-240 / 50	1 / 220-240 / 50	
Power Supply Cable			A	15	15	20	
Power & Transmission Cable			N x mm²	3 x 1.0	3 x 1.0	3 x 1.5	
Dimension			N x mm²	4*1.0 (Including Earth)	4*1.0 (Including Earth)	4 x 1.0 (Including Earth)	
Net Weight			mm	837*308*189	837*308*189	998*345*210	
Fan Motor Output			kg	8.7	8.7	11.9	
			W	30	30	30	
OUTDOOR		S09EQ.UA3		S12EQ.UA3		S18EQ.UL2	
Operation Range	Cooling	Min-Max	°CDB	-10-48	-10-48	-15-48	
	Heating	Min-Max	°CDB	-10-24	-10-24	-10-24	
Sound Pressure	Cooling	High	dB(A)	48	48	53	
	Heating	High	dB(A)	50	50	55	
Sound Power	Cooling	High	dB(A)	65	65	65	
	Heating	High	dB(A)	65	65	65	
Air Flow Rate	Cooling	High	m³/min	27	27	35	
	Length (Odu/Idu)	Min	m	3	3	3	
Piping	Max	m	15	15	20		
	Elevation (Odu/Idu)	Max	m	7	7	10	
Piping Connection	Liquid	OD(Outside)	mm (inch)	6.35 (1/4)	6.35 (1/4)	6.35 (1/4)	
	Gas	OD(Outside)	mm (inch)	9.52 (3/8)	9.52 (3/8)	12.7 (1/2)	
	Drain	OD(Outside)	mm	21.5	21.5	21.5	
	Type	OD(Outside)	inch	0.85	0.85	0.85	
Refrigerant	Charge at 7.5m		g	R32	R32	R32	
	Additional charge		t-CO ₂ eq	700	700	1000	
	GWP		g/m	0.47	0.47	0.68	
	Compressor Type		W	20	20	20	
Fan Motor Output			675	675	675		
Compressor Type			43	43	43		
Net Weight			Twin Rotary	Twin Rotary	Twin Rotary		
Dimension			kg	25.1	25.1	34.4	
			mm	717*483*230	717*483*230	770*545*288	

* This product contains Fluorinated greenhouse gases (R32).

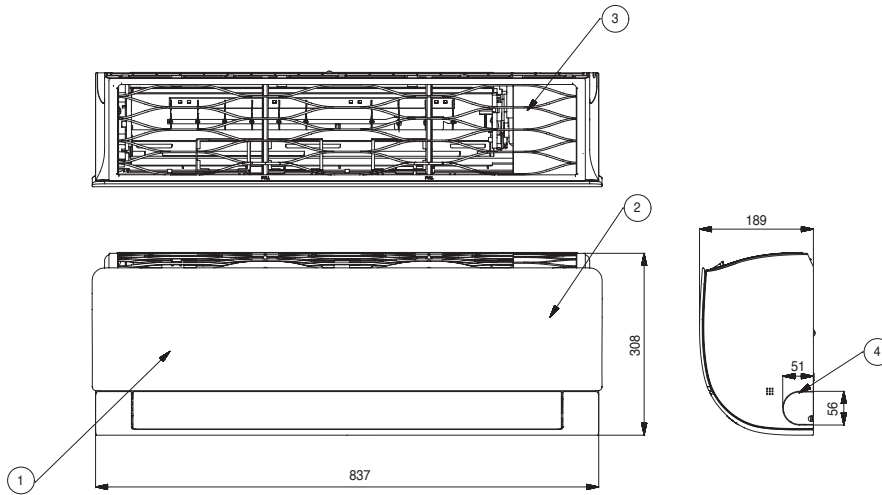
** S: Sleep / L: Low / M: Medium / H: High

*** Specification, design and feature are subject to change without prior notice.

STANDARD

S09EQ.NSJ / S12EQ.NSJ

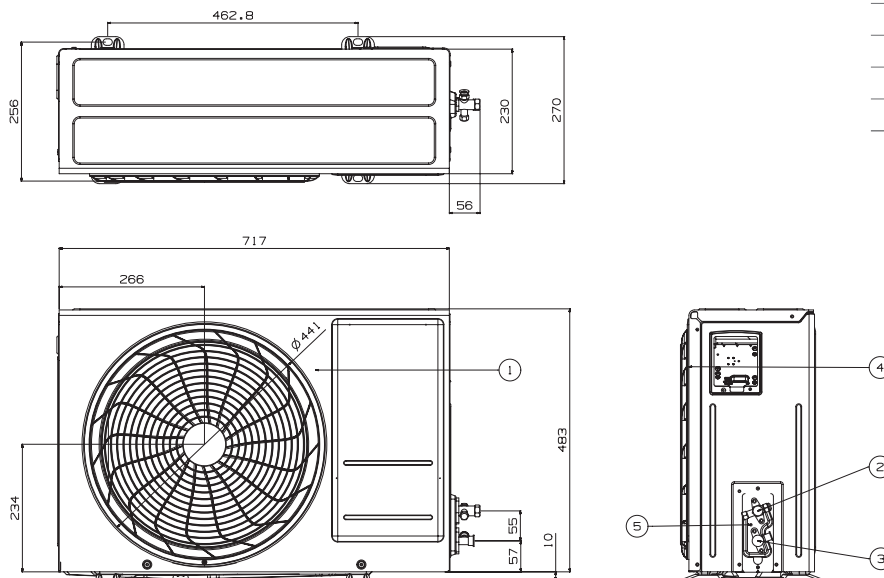
(Unit : mm)



Item No.	Part Name	Remark
1	Front Panel	
2	Display & Signal Receiver	
3	Air Filter	
4	Knockout hole	For pipe and cable
5	Installation Plate	

S09EQ.UA3 / S12EQ.UA3

(Unit : mm)



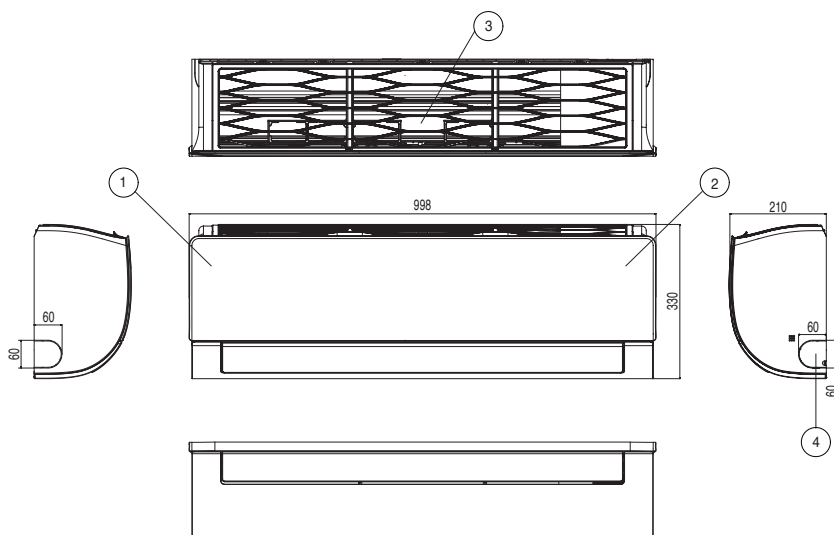
Item No.	Part Name
1	Air Discharge Grille
2	Gas Pipe Connection Port
3	Liquid Pipe Connection Port
4	Power & Transmission connection
5	Earth Screw

* This product contains Fluorinated greenhouse gases (R32).

WALL MOUNTED DIMENSIONS

STANDARD

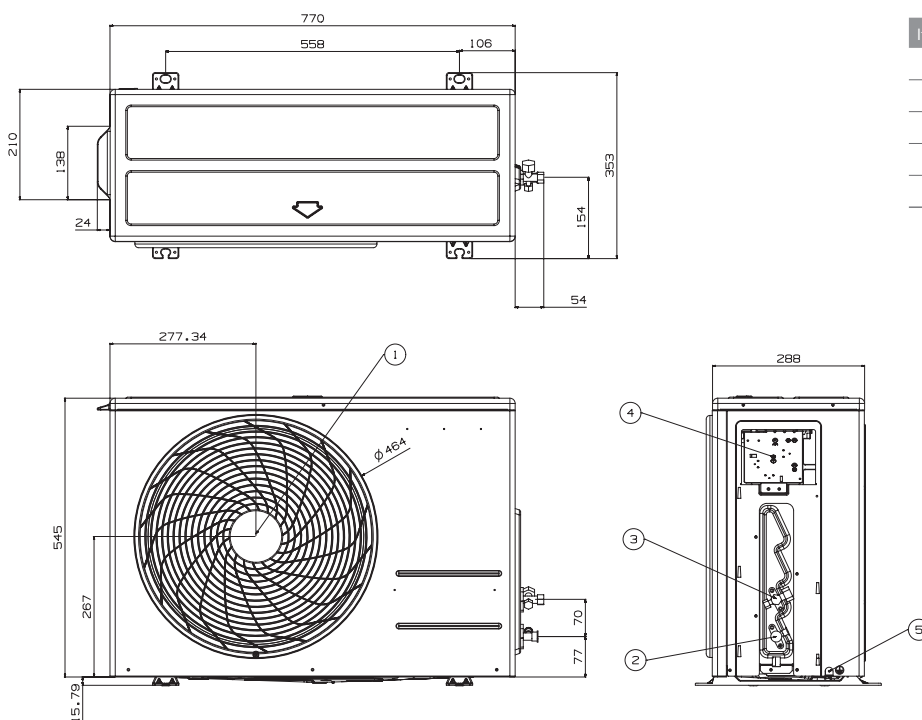
S18EQ.NSK



(Unit : mm)

Item No.	Part Name	Remark
1	Front Panel	
2	Display & Signal Receiver	
3	Air Suction Filter	
4	Installation Plate	

S18EQ.UL2



(Unit: mm)

Item No.	Part Name
1	Air Discharge Grille
2	Gas Pipe Connection Port
3	Liquid Pipe Connection Port
4	Control Box
5	Earth Screw

* This product contains Fluorinated greenhouse gases (R32).