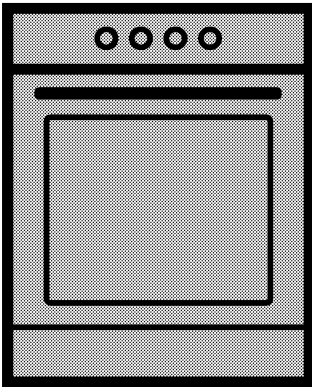


Oven

User manual



FSM52020DWD

EN | PL

485.3017.95/R.AA/04.10.2017

Please read this user manual first!

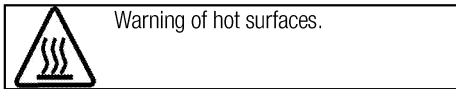
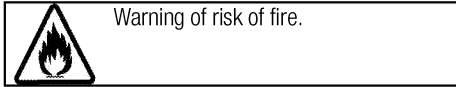
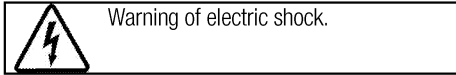
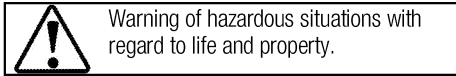
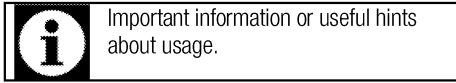
Dear Customer,

Thank you for purchasing this Beko product. We hope that you get the best results from your product which has been manufactured with high quality and state-of-the-art technology. Therefore, please read this entire user manual and all other accompanying documents carefully before using the product and keep it as a reference for future use. If you handover the product to someone else, give the user manual as well. Follow all warnings and information in the user manual.

Remember that this user manual is also applicable for several other models. Differences between models will be identified in the manual.

Explanation of symbols

Throughout this user manual the following symbols are used:



Arçelik A.Ş.

Karaağaç caddesi No:2-6
34445 Sülüce/İstanbul/TURKEY

Made in TURKEY

CE

This product was manufactured using the latest technology in environmentally friendly conditions.

TABLE OF CONTENTS

1 Important instructions and warnings for safety and environment 4

General safety	4
Safety when working with gas.....	4
Electrical safety	5
Product safety	6
Intended use	9
Safety for children.....	9
Disposing of the old product.....	9
Package information	9
Future Transportation.....	9

2 General information 11

Overview	11
Package contents	12
Technical specifications	13
Injector table	13

3 Installation 14

Before installation	14
Installation and connection	15
Gas conversion.....	16

4 Preparation 18

Tips for saving energy	18
Initial use.....	18
First cleaning of the appliance	18

Initial heating	18
-----------------------	----

5 How to use the hob 19

General information about cooking	19
Using the hobs.....	19

6 How to operate the oven 20

General information on baking, roasting and grilling	20
How to operate the electric oven	20
Operating modes.....	21
Cooking times table.....	22
How to operate the grill.....	23
Cooking times table for grilling.....	23

7 Maintenance and care 24

General information.....	24
Cleaning the hob	24
Cleaning the control panel	24
Cleaning the oven	24
Removing the oven door	25
Removing the door inner glass.....	25
Replacing the oven lamp.....	27

8 Troubleshooting 28

1 Important instructions and warnings for safety and environment

This section contains safety instructions that will help protect from risk of personal injury or property damage. Failure to follow these instructions shall void any warranty.

General safety

- This appliance can be used by children aged from 8 years and above and persons with reduced physical, sensory or mental capabilities or lack of experience and knowledge if they have been given supervision or instruction concerning use of the appliance in a safe way and understand the hazards involved.

Children shall not play with the appliance. Cleaning and user maintenance shall not be made by children without supervision.

- The appliance is not to be used by persons (including children) with reduced physical, sensory or mental capabilities, or lack of experience and knowledge, unless they have been given supervision or instruction. Children should be supervised and ensure they do not play with the appliance
- If the product is handed over to someone else for personal use or second-hand use purposes, the

user manual, product labels and other relevant documents and parts should be also given.

- Never place the product on a carpet-covered floor. Otherwise, lack of airflow beneath the product will cause electrical parts to overheat. This will cause problems with your product.
- Installation and repair procedures must always be performed by Authorized Service Agents. The manufacturer shall not be held responsible for damages arising from procedures carried out by unauthorized persons which may also void the warranty. Before installation, read the instructions carefully.
- Do not operate the product if it is defective or has any visible damage.
- Ensure that the product function knobs are switched off after every use.

Safety when working with gas

- Any works on gas equipment and systems may only be carried out by authorised qualified persons who are Gas Safe registered.
- Prior to the installation, ensure that the local distribution conditions (nature of the gas and

gas pressure) and the adjustment of the appliance are compatible.

- This appliance is not connected to a combustion products or evacuation device. It shall be installed and connected in accordance with current installation regulations. Particular attention shall be given to the relevant requirements regarding ventilation; See *Before installation, page 14*
- The use of gas cooking appliance results in the production of heat and moisture in the room in which it is installed. Ensure that the kitchen is well ventilated: keep natural ventilation holes open or install a mechanical ventilation device (mechanical extractor hood). Prolonged intensive use of the appliance may call for additional ventilation, for example increasing the level of the mechanical ventilation where present.
- Gas appliances and systems must be regularly checked for proper functioning. Regulator, hose and its clamp must be checked regularly and replaced within the periods recommended by its manufacturer or when necessary.
- Clean the gas burners regularly. The flames should be blue and burn evenly.

- Good combustion is required in gas appliances. In case of incomplete combustion, carbon monoxide (CO) might develop. Carbon monoxide is a colourless, odourless and very toxic gas, which has a lethal effect even in very small doses.
- Request information about gas emergency telephone numbers and safety measures in case of gas smell from you local gas provider.

What to do when you smell gas

- Do not use open flame or do not smoke. Do not operate any electrical buttons (e.g. lamp button, door bell and etc.) Do not use fixed or mobile phones. Risk of explosion and toxication!
- Open doors and windows.
- Turn off all valves on gas appliances and gas meter at the main control valve, unless it's in a confined space or cellar.
- Check all tubes and connections for tightness. If you still smell gas leave the property.
- Warn the neighbours.
- Call the fire-brigade. Use a telephone outside the house.
- Do not re-enter the property until you are told it is safe to do so.

Electrical safety

- If the product has a failure, it should not be operated unless it

is repaired by an Authorized Service Agent. There is the risk of electric shock!

- Only connect the product to a grounded outlet/line with the voltage and protection as specified in the “Technical specifications”. Have the grounding installation made by a qualified electrician while using the product with or without a transformer. Our company shall not be liable for any problems arising due to the product not being earthed in accordance with the local regulations.
- Never wash the product by spreading or pouring water onto it! There is the risk of electric shock!
- Never touch the plug with wet hands! Never unplug by pulling on the cable, always pull out by holding the plug.
- The product must be disconnected during installation, maintenance, cleaning and repairing procedures.
- If the power connection cable for the product is damaged, it must be replaced by the manufacturer, its service agent or similarly qualified persons in order to avoid a hazard.
- The appliance must be installed so that it can be completely disconnected from the mains

supply. The separation must be provided by a switch built into the fixed electrical installation, according to construction regulations.

- Rear surface of the oven gets hot when it is in use. Make sure that the gas/electrical connection does not contact the rear surface; otherwise, connections can get damaged.
- Do not trap the mains cable between the oven door and frame and do not route it over hot surfaces. Otherwise, cable insulation may melt and cause fire as a result of short circuit.
- Any work on electrical equipment and systems should only be carried out by authorized and qualified persons.
- In case of any damage, switch off the product and disconnect it from the mains. To do this, turn off the fuse at home.
- Make sure that fuse rating is compatible with the product.

Product safety

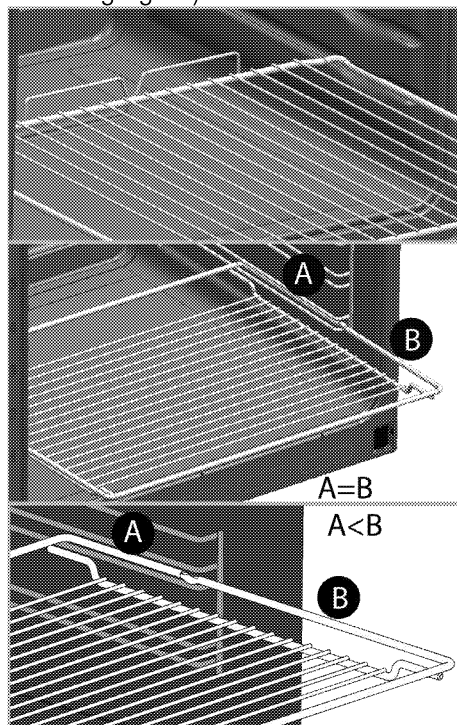
- **WARNING:** The appliance and its accessible parts become hot during use. Care should be taken to avoid touching heating elements. Children less than 8 years of age shall be kept away unless continuously supervised.

- Never use the product when your judgment or coordination is impaired by the use of alcohol and/or drugs.
- Be careful when using alcoholic drinks in your dishes. Alcohol evaporates at high temperatures and may cause fire since it can ignite when it comes into contact with hot surfaces.
- Food Poisoning Hazard: Do not let food sit in oven for more than 1 hour before or after cooking. Doing so can result in food poisoning or sickness.
- Do not place any flammable materials close to the product as the sides may become hot during use.
- During use the appliances becomes hot. Care should be taken to avoid touching heating elements inside the oven.
- Keep all ventilation slots clear of obstructions.
- Do not heat closed tins and glass jars in the oven. The pressure that would build-up in the tin/jar may cause it to burst.
- Do not place baking trays, dishes or aluminium foil directly onto the bottom of the oven. The heat accumulation might damage the bottom of the oven.
- Do not use harsh abrasive cleaners or sharp metal scrapers

to clean the oven door glass since they can scratch the surface, which may result in shattering of the glass.

- Do not use steam cleaners to clean the appliance as this may cause an electric shock.
- (Varies depending on the product model.)

Placing the wire shelf and tray onto the wire racks properly
It is important to place the wire shelf and/or tray onto the rack properly. Slide the wire shelf or tray between 2 rails and make sure that it is balanced before placing food on it (Please see the following figure).



- Do not use the product if the front door glass removed or cracked.
 - Do not use the oven handle to hang towels for drying. Do not hang up towel, gloves, or similar textile products when the grill function is at open door.
 - Always use heat resistant oven gloves when putting in or removing dishes into/from the hot oven.
 - Place the baking paper into the cooking pot or on to the oven accessory (tray, wire grill etc) together with the food and then insert all into the preheated oven. Remove the excess parts of the baking paper overflowing from the accessory or the pot in order to prevent the risk of touching the oven's heating elements. Never use the baking paper in an operating temperature higher than the indicated value for the baking paper. Do not place the baking paper directly on the base of the oven.
 - **WARNING:** Ensure that the appliance is switched off before replacing the lamp to avoid the possibility of electric shock.
 - Do not close the top cover before the hotplates or burners cool down.
Wipe the top cover dry before opening it in order to avoid water leakage to the rear and inner sections of the oven.
 - The appliance must not be installed behind a decorative door in order to avoid overheating.
 - Product must be placed directly on the floor. It must not be placed onto a base or a pedestal.
 - **WARNING:** Unattended cooking on a hob with fat or oil can be dangerous and may result in fire. NEVER try to extinguish a fire with water, but switch off the appliance and then cover flame e.g. with a lid or a fire blanket.
 - **CAUTION:** The cooking process has to be supervised. A short term cooking process has to be supervised continuously.
 - **WARNING:** Danger of fire: Do not store items on the cooking surfaces.
- Prevention against possible fire risk!
- Ensure all electrical connections are secure and tight to prevent risk of arcing.
 - Do not use damaged cables or extension cables.
 - Ensure liquid or moisture is not accessible to the electrical connection point.
 - To prevent gas leakage ensure that the gas connection is sound.

Intended use

- This product is designed for domestic use. Commercial use will void the guarantee.
- This appliance is for cooking purposes only. It must not be used for other purposes, for example room heating.
- This product should not be used for warming the plates under the grill, drying towels, dish cloths etc. by hanging them on the oven door handles. This product should also not be used for room heating purposes.
- The manufacturer shall not be liable for any damage caused by improper use or handling errors.
- The oven can be used for defrosting, baking, roasting and grilling food.

Safety for children

- **WARNING:** Accessible parts may become hot during use. Young children should be kept away.
- The packaging materials will be dangerous for children. Keep the packaging materials away from children. Please dispose of all parts of the packaging according to environmental standards.
- Electrical and/or gas products are dangerous to children. Keep children away from the product when it is operating and do not

allow them to play with the product.

- Do not place any items above the appliance that children may reach for.
- When the door is open, do not load any heavy object on it and do not allow children to sit on it. It may overturn or door hinges may get damaged.

Disposing of the old product

Compliance with the WEEE Directive and Disposing of the Waste Product:



This product complies with EU WEEE Directive (2012/19/EU). This product bears a classification symbol for waste electrical and electronic equipment (WEEE).

This product has been manufactured with high quality parts and materials which can be reused and are suitable for recycling. Do not dispose of the waste product with normal domestic and other wastes at the end of its service life. Take it to the collection center for the recycling of electrical and electronic equipment. Please consult your local authorities to learn about these collection centers.

Compliance with RoHS Directive:

The product you have purchased complies with EU RoHS Directive (2011/65/EU). It does not contain harmful and prohibited materials specified in the Directive.

Package information

- Packaging materials of the product are manufactured from recyclable materials in accordance with our National Environment Regulations. Do not dispose of the packaging materials together with the domestic or other wastes. Take them to the packaging material collection points designated by the local authorities.

Future Transportation

- Keep the product's original carton and transport the product in it. Follow the instructions on the carton. If you do not have the original carton,

pack the product in bubble wrap or thick cardboard and tape it securely.

- To prevent the wire grill and tray inside the oven from damaging the oven door, place a strip of cardboard onto the inside of the oven door that lines up with the position of the trays. Tape the oven door to the side walls.
- Secure the caps and pan supports with adhesive tape.
- Do not use the door or handle to lift or move the product.



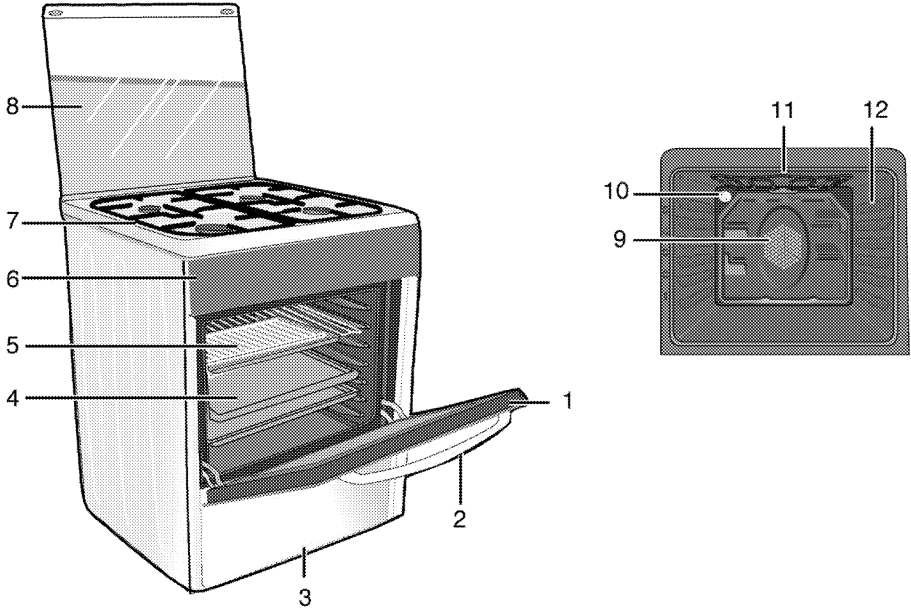
Do not place any objects onto the product and move it in upright position.



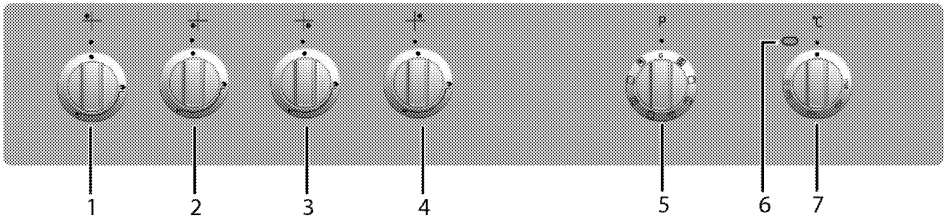
Check the general appearance of your product for any damages that might have occurred during transportation.

2 General information

Overview



- | | | | |
|---|---------------|----|--------------------------------|
| 1 | Front door | 7 | Burner plate |
| 2 | Handle | 8 | Top lid |
| 3 | Lower part | 9 | Fan motor (behind steel plate) |
| 4 | Tray | 10 | Lamp |
| 5 | Wire shelf | 11 | Grill heating element |
| 6 | Control panel | 12 | Shelf positions |



- | | |
|---|------------------------------|
| 1 | Normal burner Rear left |
| 2 | Rapid burner Front left |
| 3 | Auxiliary burner Front right |
| 4 | Normal burner Rear right |
| 5 | Function knob |
| 6 | Thermostat lamp |
| 7 | Thermostat knob |

Package contents

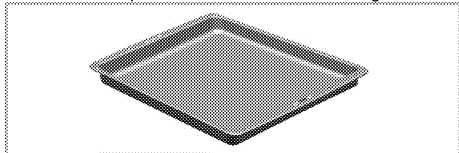


Accessories supplied can vary depending on the product model. Not every accessory described in the user manual may exist on your product.

1. **User manual**

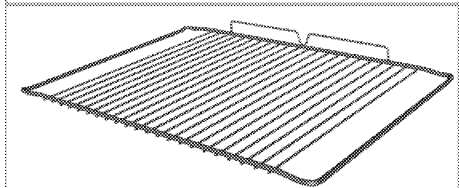
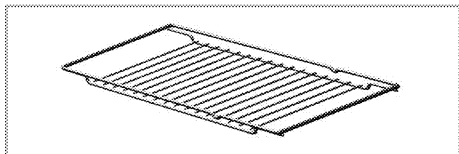
2. **Oven tray**

Used for pastries, frozen foods and big roasts.



3. **Wire Shelf**

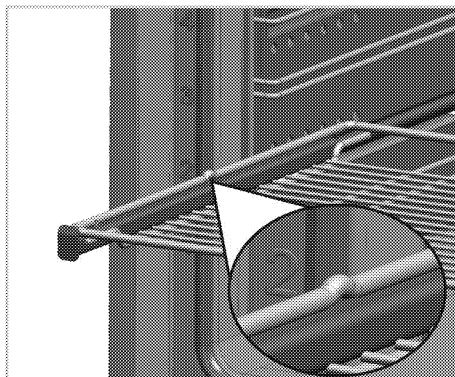
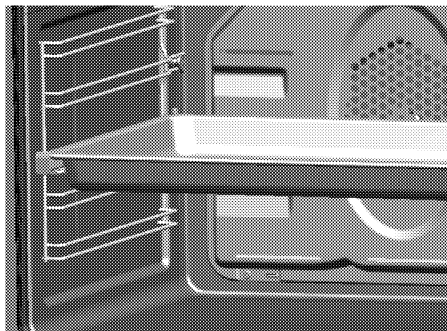
Used for roasting and for placing the food to be baked, roasted or cooked in casserole dishes to the desired rack.



4. **Placing the wire shelf and tray onto the telescopic racks properly**
(This feature is optional. It may not exist on your product.)

Telescopic racks allow you to install and remove the trays and wire shelf easily.

When using the tray and wire shelf with telescopic racks, make sure that the pins at the rear section of the telescopic rack stands against the edges of the wire shelf and tray.



Technical specifications

GENERAL	
External dimensions (height / width / depth)	850 mm/500 mm/600 mm
Voltage / frequency	220-240 V ~ 50 Hz
Total power consumption	2.1 kW
Fuse	10 A
Cable type / section	min.H05W-FG 3 x 1 mm ²
Category of gas product	Kat II 2ELs3B/P
Gas type / pressure	2E (G20)/20 mbar
Total gas consumption	7.9 kW
Converting the gas type / pressure ^s	2Ls (G2.350)/13 mbar
– optional	3B/P (G30)/37 mbar
HOB	
Burners	
Rear left	Normal burner
Power	2 kW
Front left	Rapid burner
Power	2.9 kW
Front right	Auxiliary burner
Power	1 kW
Rear right	Normal burner
Power	2 kW
OVEN/GRILL	
Main oven	Multifunction oven
Inner lamp	15–25 W
Grill power consumption	1.6 kW

* Basics: Information on the energy label of electrical ovens is given in accordance with the EN 60350-1 / IEC 60350-1 standard. Those values are determined under standard load with bottom-top heater or fan assisted heating (if any) functions.

Energy efficiency class is determined in accordance with the following prioritization depending on whether the relevant functions exist on the product or not. 1-Cooking with eco-fan, 2- Turbo slow cooking, 3- Turbo cooking, 4- Fan assisted bottom/top heating, 5-Top and bottom heating.



Technical specifications may be changed without prior notice to improve the quality of the product.



Figures in this manual are schematic and may not exactly match your product.



Values stated on the product labels or in the documentation accompanying it are obtained in laboratory conditions in accordance with relevant standards. Depending on operational and environmental conditions of the product, these values may vary.

Injector table

Position hob zone	2 kW Rear left	2.9 kW Front left	1 kW Front right	2 kW Rear right
Gas type / Gas pressure				
2E (G20)/20 mbar	103	115	72	103
3B/P (G30)/37 mbar	66	80	47	66
2Ls (G2.350)/13mbar	131	165	95	131

3 Installation

Product must be installed by a qualified person in accordance with the regulations in force. The manufacturer shall not be held responsible for damages arising from procedures carried out by unauthorized persons which may also void the warranty.



Preparation of location and electrical and gas installation for the product is under customer's responsibility.



DANGER:

The product must be installed in accordance with all local gas and/or electrical regulations.



DANGER:

Prior to installation, visually check if the product has any defects on it. If so, do not have it installed.

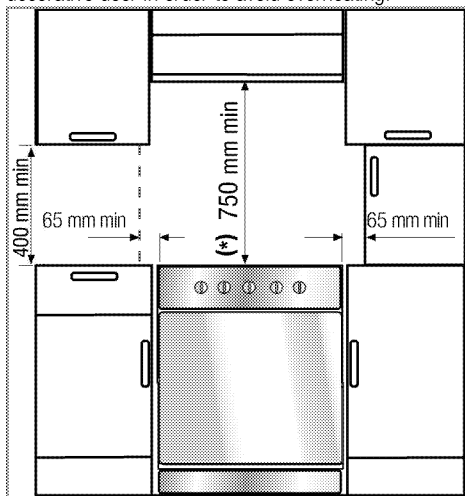
Damaged products cause risks for your safety.

Before installation

To ensure that critical air gaps are maintained under the appliance, we recommend that this appliance is mounted on a solid base and that the feet do not sink into any carpet or soft flooring.

The kitchen floor must be able to carry the weight of the appliance plus the additional weight of cookware and bakeware and food.

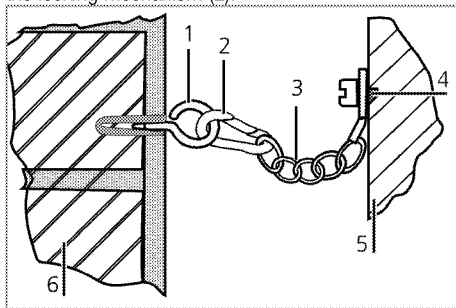
If the range is placed on a base, measures have to be taken to prevent the appliance slipping from the base. The appliances must not be installed behind a decorative door in order to avoid overheating.



- It can be used with cabinets on either side but in order to have a minimum distance of 400mm above hotplate level allow a side clearance of 65mm between the appliance and any wall, partition or tall cupboard.
- It can also be used in a free standing position. Allow a minimum distance of 750 mm above the hob surface.
- (*) If a cooker hood is to be installed above the cooker, refer to cooker hood manufacturer' instructions regarding installation height (min 650 mm).
- The appliance corresponds to device class 1, i.e. it may be placed with the rear and **one** side to kitchen walls, kitchen furniture or equipment of any size. The kitchen furniture or equipment on the **other** side may only be of the same size or smaller.
- Any kitchen furniture next to the appliance must be heat-resistant (100 °C min.).

Safety chain

The appliance must be secured against overbalancing by using the supplied two safety chains on your oven. Fasten hook (1) by using a proper peg to the kitchen wall (6) and connect safety chain (3) to the hook via the locking mechanism (2).



- 1 Stability hook
- 2 Locking mechanism
- 3 Safety chain (supplied and mounted to oven)
- 4 Firmly fix chain to cooker rear
- 5 Rear of cooker
- 6 Kitchen wall



Stability chain to be as short as practicable to avoid oven tilting forward and diagonal to avoid oven side tilting.

Cooker stability chain for cookers not designed with bracket engagement slot.

Room ventilation

All rooms require an openable window, or equivalent, and some rooms will require a permanent vent as well. The air for combustion is taken from the room air and the exhaust gases are emitted directly into the room. Good ventilation is essential for safe operation of your appliance.

Rooms with doors and/or windows which open directly to the outer environment

The doors and/or windows that open directly to the outer environment must have a total ventilation opening of the dimensions specified in the table below which is based on the total gas power of the appliance (total gas power consumption of the appliance is shown in the technical specification table of this user manual). If the doors and/or windows do not have a total ventilation opening corresponding to the total gas consumption of the appliance as specified in the table below, then there must definitely be an additional fixed ventilation opening in the room to ensure that the total minimum ventilation requirements for the total gas consumption of the appliance is achieved. The fixed ventilation opening can include openings for existing airbricks, extraction hood ducting opening dimension etc.

Total gas consumption (kW)	min. Ventilation opening (cm ²)
0-2	100
2-3	120
3-4	175
4-6	300
6-8	400
8-10	500
10-11.5	600
11.5-13	700
13-15.5	800
15.5-17	900
17-19	1000
19-24	1250

Rooms that do not have openable doors and/or windows that open directly to the outer environment

If the room where the appliance is installed does not have a door and/or a window that opens directly to the outer environment, other products shall be sought that definitely provide a fixed nonadjustable and non-closable ventilation opening which meets the total

minimum ventilation opening requirements for the total gas consumption of the appliance as indicated in the above table. Also the appropriate building regulations advise should be followed.

Where a room or internal space contains more than one gas appliance, additional ventilation area shall be provided on top of the requirement given in the table above. Size of additional ventilation area shall be appropriate to regulations of other gas appliances.

There should also be a minimum clearance of 10mm on the bottom edge of the door that opens to the inner environment in the room where the appliance is installed. You must ensure that items such as carpets and other floorcoverings etc., do not affect the clearance when the door is closed.

The cooker may be located in a kitchen, kitchen/diner or a bed-sitting room, but not in a room containing a bath or a shower. The cooker must not be installed in a bed-sitting room of less than 20m³.

Do not install this appliance in a room below ground level unless it is open to ground level on at least one side.

Installation and connection

Product can only be installed and connected in accordance with the statutory installation rules.



Do not install the product next to refrigerators or freezers. The heat emitted by the product will increase the energy consumption of cooling appliances.

- Carry the product with at least two persons.
- Product must be placed directly on the floor. It must not be placed onto a base or a pedestal.



Do not use the door and/or handle to carry or move the product. The door, handle or hinges get damaged.

Electrical connection

Connect the product to a grounded outlet/line protected by a fuse of suitable capacity as stated in the "Technical specifications" table. Have the grounding installation made by a qualified electrician while using the product with or without a transformer. Our company shall not be liable for any damages that will arise due to using the product without a grounding installation in accordance with the local regulations.

**DANGER:**

The product must be connected to the mains supply only by an authorised and qualified person. The product's warranty period starts only after correct installation. Manufacturer shall not be held responsible for damages arising from procedures carried out by unauthorised persons.

**DANGER:**

The power cable must not be clamped, bent or trapped or come into contact with hot parts of the product.

A damaged power cable must be replaced by a qualified electrician. Otherwise, there is risk of electric shock, short circuit or fire!

The mains supply data must correspond to the data specified on the type label of the product. The rating plate is either seen when the door or the lower cover is opened or it is located at the rear wall of the unit depending on the unit type.

Power cable of your product must comply with the values in "Technical specifications" table.



Power cable plug must be within easy reach after installation (do not route it above the hob).

**DANGER:**

Before starting any work on the electrical installation, disconnect the product from the mains supply.

There is the risk of electric shock!

Connect the power cable into the socket.

Gas connection**DANGER:**

Product can be connected to gas supply system only by an authorised and qualified person or technician with licence.

Risk of explosion or toxication due to unprofessional repairs!

Manufacturer shall not be held responsible for damages arising from procedures carried out by unauthorised or unlicensed persons.

**DANGER:**

Before starting any work on the gas installation, disconnect the gas supply.

There is the risk of explosion!

- Gas adjustment conditions and values are stated on labels (or ion type label).



Your product is equipped for natural gas (NG).

- Natural gas installation must be prepared before installing the product.
- There must be a pipe (Piping advised to be bought from a licensed installer), must comply with local gas standard, at the outlet of the installation for the natural gas connection of your product and the tip of this pipe must be closed with a blind plug. Service Representative will remove the blind plug during connection and connect your product by means of a straight connection device (coupling).
- Make sure that the natural gas valve is readily accessible.
- If you need to use your product later with a different type of gas, you must consult the Authorised Service Agent for the related conversion procedure.

**DANGER:**

The gas hose must not be clamped, bent or trapped or come into contact with hot parts of the product.

There is the risk of explosion due to damaged gas hose.

- Push the product towards the kitchen wall.
- Adjusting the feet of oven**
Vibrations during use may cause cooking vessels to move. This dangerous situation can be avoided if the product is level and balanced. For your own safety please ensure the product is level by adjusting the four feet at the bottom by turning left or right and align level with the work top.

Final check

- Check electrical functions.
- Open gas supply.
- Check gas installations for secure fitting and tightness.
- Ignite burners and check appearance of the flame.



Flame must be blue and have a regular shape.

If the flame is yellowish, check if the burner cap is seated securely or clean the burner.

Gas conversion**DANGER:**

Before starting any work on the gas installation, disconnect the gas supply.

There is the risk of explosion!

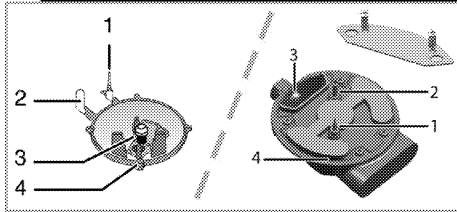
In order to change your appliance's gas type, change all injectors and make flame adjustment for all valves at reduced flow rate position.

Exchange of injector for the burners

1. Take off burner cap and burner body.
2. Unscrew injectors by turning the counter-clockwise.
3. Fit new injectors.
4. Check all connections for secure fitting and tightness.

i New injectors have their position marked on their packing or injector table on *Injector table, page 13* can be referred to.

i ((Varies depending on the product model.))
On some hob burners, the injector is covered with a metal piece. This metal cover must be removed for injector replacement.



- 1 Flame failure device (model dependant)
- 2 Spark plug
- 3 Injector
- 4 Burner

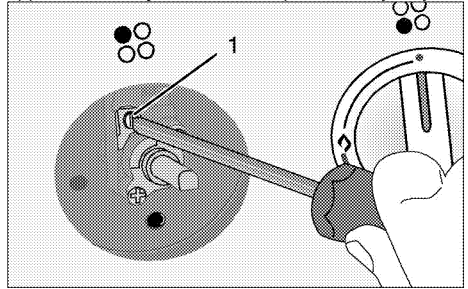
i Unless there is an abnormal condition, do not attempt to remove the gas burner taps. You must call an Authorised service agent or technician with licence if it is necessary to change the taps.

Reduced gas flow rate setting for hob taps

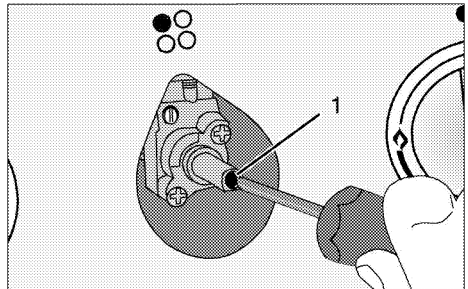
1. Ignite the burner that is to be adjusted and turn the knob to the reduced position.
2. Remove the knob from the gas tap.

3. Use an appropriately sized screwdriver to adjust the flow rate adjustment screw.
For LPG (Butane - Propane) turn the screw clockwise. For the natural gas, you should turn the screw **counter-clockwise** once.
» The normal length of a straight flame in the reduced position should be 6-7 mm.
4. If the flame is higher than the desired position, turn the screw clockwise. If it is smaller turn anticlockwise.
5. For the last control, bring the burner both to high-flame and reduced positions and check whether the flame is on or off.

Depending on the type of gas tap used in your appliance the adjustment screw position may vary.



1 Flow rate adjustment screw



1 Flow rate adjustment screw

i If the gas type of the unit is changed, then the rating plate that shows the gas type of the unit must also be changed.

4 Preparation

Tips for saving energy

The following information will help you to use your appliance in an ecological way, and to save energy:

- Use dark coloured or enamel coated cookware in the oven since the heat transmission will be better.
- While cooking your dishes, perform a preheating operation if it is advised in the user manual or cooking instructions.
- Do not open the door of the oven frequently during cooking.
- Try to cook more than one dish in the oven at the same time whenever possible. You can cook by placing two cooking vessels onto the wire shelf.
- Cook more than one dish one after another. The oven will already be hot.
- You can save energy by switching off your oven a few minutes before the end of the cooking time. Do not open the oven door.
- Defrost frozen dishes before cooking them.
- Use pots/pans with cover for cooking. If there is no cover, energy consumption may increase 4 times.
- Select the burner which is suitable for the bottom size of the pot to be used. Always select the correct pot size for your dishes. Larger pots require more energy.

Initial use

First cleaning of the appliance



The surface might get damaged by some detergents or cleaning materials.

Do not use aggressive detergents, cleaning powders/creams or any sharp objects during cleaning.

Do not use harsh abrasive cleaners or sharp metal scrapers to clean the oven door glass since they can scratch the surface, which may result in shattering of the glass.

1. Remove all packaging materials.

2. Wipe the surfaces of the appliance with a damp cloth or sponge and dry with a cloth.

Initial heating

Heat up the product for about 30 minutes and then switch it off. Thus, any production residues or layers will be burnt off and removed.



WARNING

Hot surfaces cause burns!

Product may be hot when it is in use. Never touch the hot burners, inner sections of the oven, heaters and etc. Keep children away. Always use heat resistant oven gloves when putting in or removing dishes into/from the hot oven.

Electric oven

1. Take all baking trays and the wire grill out of the oven.
2. Close the oven door.
3. Select Static position.
4. Select the highest oven power; See *How to operate the electric oven, page 20*.
5. Operate the oven for about 30 minutes.
6. Turn off your oven; See *How to operate the electric oven, page 20*

Grill oven

1. Take all baking trays and the wire grill out of the oven.
2. Close the oven door.
3. Select the highest grill power; see *How to operate the grill, page 23*.
4. Operate the grill about 30 minutes.
5. Turn off your grill; see *How to operate the grill, page 23*



Smoke and smell may emit for a couple of hours during the initial operation. This is quite normal. Ensure that the room is well ventilated to remove the smoke and smell. Avoid directly inhaling the smoke and the smell that emits.

5 How to use the hob

General information about cooking



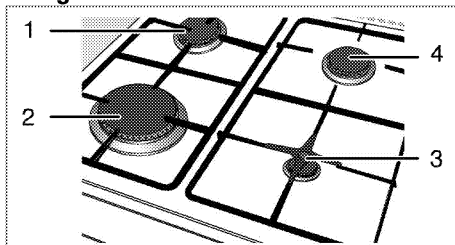
Never fill the pan with oil more than one third of it. Do not leave the hob unattended when heating oil. Overheated oils bring risk of fire. **Never attempt to extinguish a possible fire with water!** When oil catches fire, cover it with a fire blanket or damp cloth. Turn off the hob if it is safe to do so and call the fire department.

- Before frying foods, always dry them well and gently place into the hot oil. Ensure complete thawing of frozen foods before frying.
- Do not cover the vessel you use when heating oil.
- Place the pans and saucepans in a manner so that their handles are not over the hob to prevent heating of the handles. Do not place unbalanced and easily tilting vessels on the hob.
- Do not place empty vessels and saucepans on cooking zones that are switched on. They might get damaged.
- Operating a cooking zone without a vessel or saucepan on it will cause damage to the product. Turn off the cooking zones after the cooking is complete.
- As the surface of the product can be hot, do not put plastic and aluminum vessels on it. Such vessels should not be used to keep foods either.
- Use flat bottomed saucepans or vessels only.
- Put appropriate amount of food in saucepans and pans. Thus, you will not have to make any unnecessary cleaning by preventing the dishes from overflowing.
Do not put covers of saucepans or pans on cooking zones.
Place the saucepans in a manner so that they are centered on the cooking zone. When you want to move the saucepan onto another cooking zone, lift and place it onto the cooking zone you want instead of sliding it.

Gas cooking

- Size of the vessel and the flame must match each other. Adjust the gas flames so that they will not extend the bottom of the vessel and center the vessel on saucepan carrier.

Using the hobs



- 1 Normal burner 18-20 cm
- 2 Rapid burner 22-24 cm
- 3 Auxiliary burner 12-18 cm
- 4 Normal burner 18-20 cm is list of advised diameter of pots to be used on related burners.

Large flame symbol indicates the highest cooking power and small flame symbol indicates the lowest cooking power. In turned off position (top), gas is not supplied to the burners.

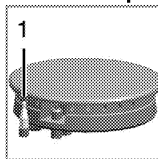
Igniting the gas burners

1. Keep burner knob pressed.
2. Turn it counter clockwise to large flame symbol.
» Gas is ignited with the spark created.
3. Adjust it to the desired cooking power.

Turning off the gas burners

Turn the keep warm zone knob to off (upper) position.

Gas shut off safety system (in models with thermic component)



As a counter measure against blow out due to fluid overflows at burners, safety mechanism trips and shuts off the gas.

1. Gas shut off safety

- Push the knob inwards and turn it counter clockwise to ignite.
- After the gas ignites, keep the knob pressed for 3-5 seconds more to engage the safety system.
- If the gas does not ignite after you press and release the knob, repeat the same procedure by keeping the knob pressed for 15 seconds.



DANGER:

Release the button if the burner is not ignited within 15 seconds.

Wait at least 1 minute before trying again. There is the risk of gas accumulation and explosion!

6 How to operate the oven

General information on baking, roasting and grilling



WARNING

Hot surfaces cause burns!
Product may be hot when it is in use. Never touch the hot burners, inner sections of the oven, heaters and etc. Keep children away. Always use heat resistant oven gloves when putting in or removing dishes into/from the hot oven.



DANGER:

Be careful when opening the oven door as steam may escape.
Exiting steam can scald your hands, face and/or eyes.

Tips for baking

- Use non-sticky coated appropriate metal plates or aluminum vessels or heat-resistant silicone moulds.
- Make best use of the space on the rack.
- Place the baking mould in the middle of the shelf.
- Select the correct rack position before turning the oven or grill on. Do not change the rack position when the oven is hot.
- Keep the oven door closed.

Tips for roasting

- Treating whole chicken, turkey and large piece of meat with dressings such as lemon juice and black pepper before cooking will increase the cooking performance.
- It takes about 15 to 30 minutes longer to roast meat with bones when compared to roasting the same size of meat without bones.
- Each centimeter of meat thickness requires approximately 4 to 5 minutes of cooking time.
- Let meat rest in the oven for about 10 minutes after the cooking time is over. The juice is better distributed all over the roast and does not run out when the meat is cut.
- Fish should be placed on the middle or lower rack in a heat-resistant plate.

Tips for grilling

When meat, fish and poultry are grilled, they quickly get brown, have a nice crust and do not get dry. Flat pieces, meat skewers and sausages are particularly suited for grilling as are vegetables with high water content such as tomatoes and onions.

- Distribute the pieces to be grilled on the wire shelf or in the baking tray with wire shelf in such a way that the space covered does not exceed the size of the heater.
- Slide the wire shelf or baking tray with grill into the desired level in the oven. If you are grilling on the wire shelf, slide the baking tray to the lower rack to collect fats. Add some water in the tray for easy cleaning.

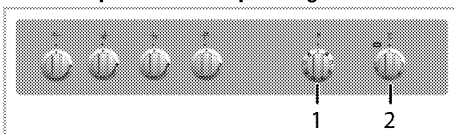


Foods that are not suitable for grilling carry the risk of fire. Only grill food which is suitable for intensive grilling heat.

Do not place the food too far in the back of the grill. This is the hottest area and fatty food may catch fire.

How to operate the electric oven

Select temperature and operating mode



1 Function knob

2 Thermostat knob

1. Set the Function knob to the desired operating mode.
2. Set the Temperature knob to the desired temperature.

» Oven heats up to the adjusted temperature and maintains it. During heating, temperature lamp stays on.

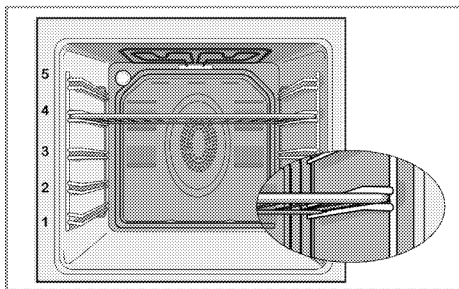
Switching off the electric oven

Turn the function knob and temperature knob to off (upper) position.

Rack positions (For models with wire shelf)

It is important to place the wire shelf onto the side rack correctly. Wire shelf must be inserted between the side racks as illustrated in the figure.

Do not let the wire shelf stand against the rear wall of the oven. Slide your wire shelf to the front section of the rack and settle it with the help of the door in order to obtain a good grill performance.



Operating modes

The order of operating modes shown here may be different from the arrangement on your product.

Top and bottom heating



Top and bottom heating are in operation. Food is heated simultaneously from the top and bottom. For example, it is suitable for cakes, pastries, or cakes and casseroles in baking moulds. Cook with one tray only.

Bottom heating



Only bottom heating is in operation. It is suitable for pizza and for subsequent browning of food from the bottom.



This function must be used for easy steam cleaning as well.

Fan supported bottom/top heating



Top heating, bottom heating plus fan (in the rear wall) are in operation. Hot air is evenly distributed throughout the oven rapidly by means of the fan. Cook with one tray only.

Operating with fan



The oven is not heated. Only the fan (in the rear wall) is in operation. Suitable for thawing frozen granular food slowly at room temperature and cooling down the cooked food.

Fan Heating



Warm air heated by the rear heater is evenly distributed throughout the oven rapidly by means of the fan.

It is suitable for cooking your meals in different rack levels and preheating is not required in most cases. Suitable for cooking with multi trays.

This function must be used for easy steam cleaning as well.

"3D" function



Top heating, bottom heating and fan assisted heating (in the rear wall) are in operation. Food is cooked evenly and quickly all around. Cook with one tray only.

Full grill



Large grill at the ceiling of the oven is in operation. It is suitable for grilling large amount of meat.

- Put big or medium-sized portions in correct rack position under the grill heater for grilling.
- Set the temperature to maximum level.
- Turn the food after half of the grilling time.

Grill+Fan



Grilling effect is not as strong as in Full Grill

- Put small or medium-sized portions in correct shelf position under the grill heater for grilling.
- Set the desired temperature.
- Turn the food after half of the grilling time.

Cooking times table



The timings in this chart are meant as a guide. Timings may vary due to temperature of food, thickness, type and your own preference of cooking.

Dish	Cooking level number		Rack position	Temperature (°C)	Cooking time (approx. in min.)
Cakes in tray*	One level		3	175	30 ... 45
Cakes in mould*	One level		2	175	30 ... 50
Cakes in cooking paper*	One level		3	160 ... 170	25 ... 30
Sponge cake*	One level		3	180 ... 200	10 ... 20
Cookies*	One level		3	160 ... 170	20 ... 30
Dough pastry*	One level		3	200	20 ... 30
Rich pastry*	One level		3	190	20 ... 35
Leaven*	One level		3	190	20 ... 40
Lasagna*	One level		2	180	25 ... 45
Pizza*	One level		1	200	10 ... 20
Beef steak (whole) / Roast	One level		2	25 min. 220, then 180 ... 190	80 ... 100
Leg of Lamb (casserole)	One level		2	25 min. 220, then 190	70 ... 90
Roasted chicken	One level		2	15 min. 250/max, then 190	55 ... 65
	One level		2	15 min. 220, then 180 ... 190	50 ... 65
Turkey (Sliced)	One level		3	25 min. 220, then 190	70 ... 120
	One level		2	25 min. 220, then 180 ... 190	60 ... 100
Fish	One level		3	200	20 ... 30
	One level		3	200	20 ... 25

When cooking with 2 trays at the same time, place the deeper tray on the upper rack and the other one on the lower rack.

* It is suggested to perform preheating for all foods.

(**) In a cooking that requires preheating, preheat at the beginning of cooking until the thermostat lamp turns off.

Tips for baking cake

- If the cake is too dry, increase the temperature by 10°C and decrease the cooking time.
- If the cake is wet, use less liquid or lower the temperature by 10°C.
- If the cake is too dark on top, place it on a lower rack, lower the temperature and increase the cooking time.
- If cooked well on the inside but sticky on the outside use less liquid, lower the temperature and increase the cooking time.

Tips for baking pastry

- If the pastry is too dry, increase the temperature by 10°C and decrease the cooking time. Dampen the layers of dough with a sauce composed of milk, oil, egg and yoghurt.
- If the pastry takes too long to bake, pay care that the thickness of the pastry you have prepared does not exceed the depth of the tray.

Baking and roasting



1st rack of the oven is the **bottom** rack.

- If the upper side of the pastry gets browned, but the lower part is not cooked, make sure that the amount of sauce you have used for the pastry is not too much at the bottom of the pastry. Try to scatter the sauce equally between the dough layers and on the top of pastry for an even browning.



Cook the pastry in accordance with the mode and temperature given in the cooking table. If the bottom part is still not browned enough, place it on one lower rack next time.

Tips for cooking vegetables

- If the vegetable dish runs out of juice and gets too dry, cook it in a pan with a lid instead of a tray. Closed vessels will preserve the juice of the dish.
- If a vegetable dish does not get cooked, boil the vegetables beforehand or prepare them like canned food and put in the oven.

How to operate the grill



WARNING

Close oven door during grilling.
Hot surfaces may cause burns!

Switching on the grill

1. Turn the Function knob to the desired grill symbol.
2. Then, select the desired grilling temperature.
3. If required, perform a preheating of about 5 minutes.

» Temperature light turns on.

Switching off the grill

1. Turn the Function knob to Off (top) position.



Foods that are not suitable for grilling carry the risk of fire. Only grill food which is suitable for intensive grilling heat.

Do not place the food too far in the back of the grill. This is the hottest area and fatty food may catch fire.

Cooking times table for grilling

Grilling with electric grill

Food	insertion level	Grilling time (approx.)
Fish	4...5	20...25 min. [#]
Sliced chicken	4...5	25...35 min.
Lamb chops	4...5	20...25 min.
Roast beef	4...5	25...30 min. [#]
Veal chops	4...5	25...30 min. [#]
Toast bread	4	1...2 min.

[#] depending on thickness

7 Maintenance and care

General information

Service life of the product will extend and the possibility of problems will decrease if the product is cleaned at regular intervals.



DANGER:

Disconnect the product from mains supply before starting maintenance and cleaning works.

There is the risk of electric shock!



DANGER:

Allow the product to cool down before you clean it.

Hot surfaces may cause burns!

- Clean the product thoroughly after each use. In this way it will be possible to remove cooking residues more easily, thus avoiding these from burning the next time the appliance is used.
- No special cleaning agents are required for cleaning the product. Use warm water with washing liquid, a soft cloth or sponge to clean the product and wipe it with a dry cloth.
- Always ensure any excess liquid is thoroughly wiped off after cleaning and any spillage is immediately wiped dry.
- Do not use cleaning agents that contain acid or chloride to clean the stainless or inox surfaces and the handle. Use a soft cloth with a liquid detergent (not abrasive) to wipe those parts clean, paying attention to sweep in one direction.
- **(This feature is optional. It may not exist on your product.)**

Do not use solid metal scrapers or abrasive cleaning materials to clean the glass cover. Glass surface can get damaged.



The surface might get damaged by some detergents or cleaning materials.

Do not use aggressive detergents, cleaning powders/creams or any sharp objects during cleaning.

Do not use harsh abrasive cleaners or sharp metal scrapers to clean the oven door glass since they can scratch the surface, which may result in shattering of the glass.



Do not use steam cleaners to clean the appliance as this may cause an electric shock.

Cleaning the hob

Gas hobs

1. Remove and clean the saucepan carriers and burner caps.
2. Clean the hob.
3. Install the burner caps and make sure that they are seated correctly.
4. When installing the upper grills, pay attention to place the saucepan carriers so that the burners are centered.

Cleaning the control panel

Clean the control panel and knobs with a damp cloth and wipe them dry.



Do not remove the control buttons/knobs to clean the control panel.

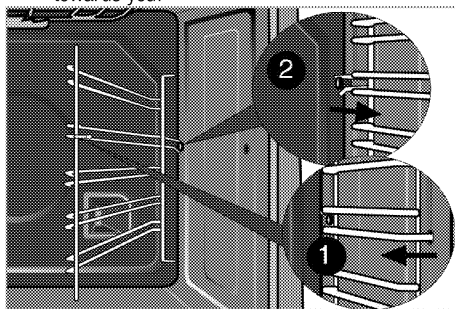
Control panel may get damaged!

Cleaning the oven

To clean the side wall

(This feature is optional. It may not exist on your product.)

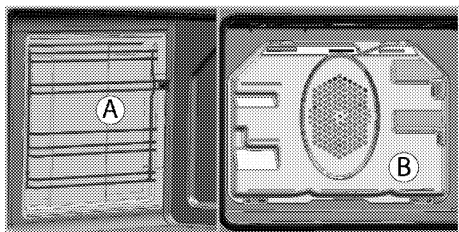
1. Remove the front section of the side rack by pulling it in the opposite direction of the side wall.
2. Remove the side rack completely by pulling it towards you.



Catalytic walls

(This feature is optional. It may not exist on your product.)

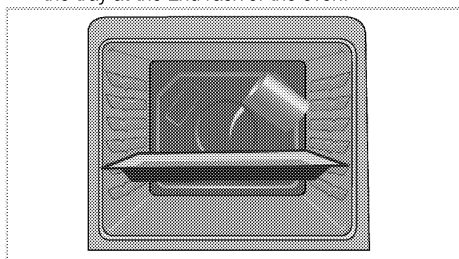
The inner side walls (A) and/or the rear wall (B) of your product may be coated with catalytic enamel. Catalytic walls have a light matte colour and a porous surface. Catalytic walls of the oven should not be cleaned. Porous surfaces of the catalytic walls are automatically cleaned by absorbing and converting the spilled oil (steam and carbon dioxide).



Easy Steam Cleaning

It ensures easy cleaning because the dirt (having waited not for too long) is softened by the steam that forms inside the oven and the water drops condensing on the inner surfaces of the oven.

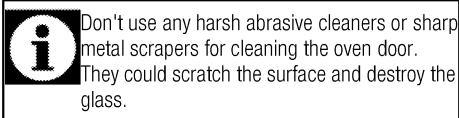
1. Remove all accessories inside the oven.
2. Pour 500 ml of water into the oven tray and place the tray at the 2nd rack of the oven.



3. Set the oven to easy steam cleaning mode and run at 100°C for 25 minutes.
4. Open the door and wipe the inner surfaces of the oven with a damp sponge or cloth.
5. Use warm water with washing liquid, a soft cloth or sponge to clean the persistent dirt and wipe it with a dry cloth.

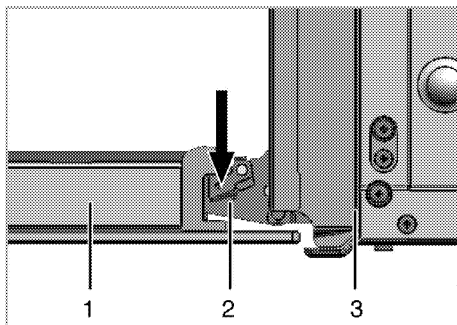
Clean oven door

To clean the oven door, use warm water with washing liquid, a soft cloth or sponge to clean the product and wipe it with a dry cloth.

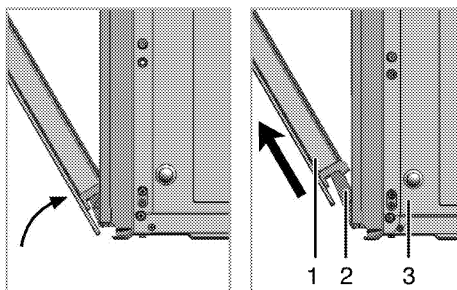


Removing the oven door

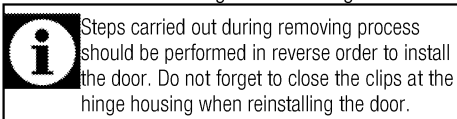
1. Open the front door (1).
2. Open the clips at the hinge housing (2) on the right and left hand sides of the front door by pressing them down as illustrated in the figure.



- 1 Front door
- 2 Hinge
- 3 Oven



3. Move the front door to half-way.
4. Remove the front door by pulling it upwards to release it from the right and left hinges.

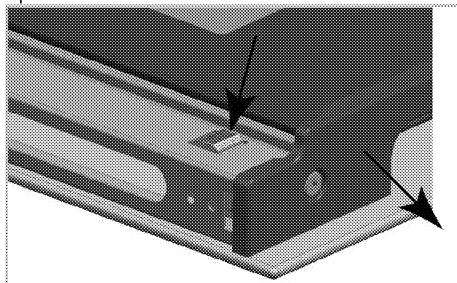


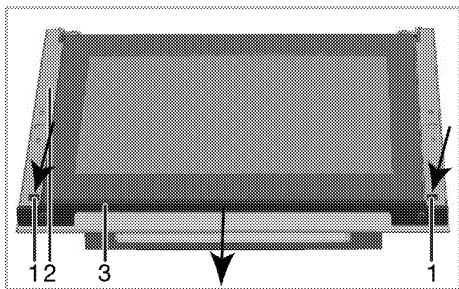
Removing the door inner glass

(This feature is optional. It may not exist on your product.)

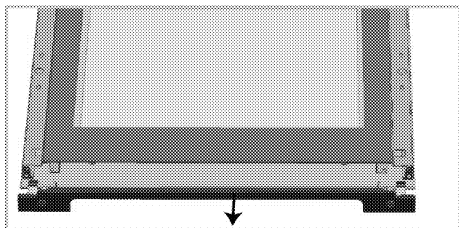
The inner glass panel of the oven door can be removed for cleaning.

Open the oven door.

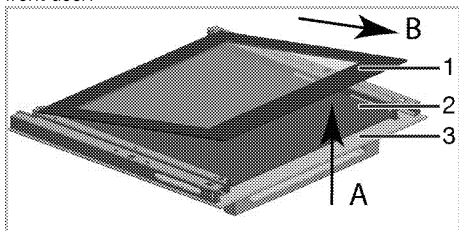




- 1 Tab
- 2 Frame
- 3 Profile



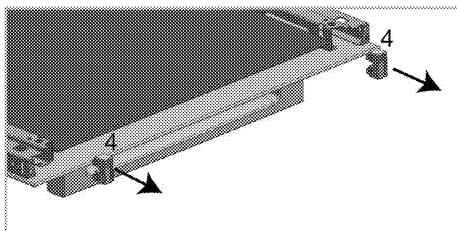
As illustrated in the figures above, press on the tabs (1) and pull the profile (3) towards yourself simultaneously to remove the profile attached to the upper side of the front door.



- 1 Innermost glass panel
- 2 Inner glass panel*
- 3 Outer glass panel
- * (It may not exist on your product.)

As illustrated in the figure, raise the innermost glass panel (1) slightly in direction 'A' and pull it out in direction 'B'.

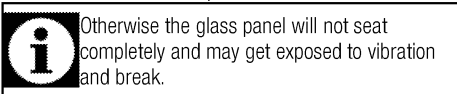
If your product is equipped with an inner glass panel; Pull the glass holder connecting elements in the middle as illustrated in the figure to free them from the glass panels.



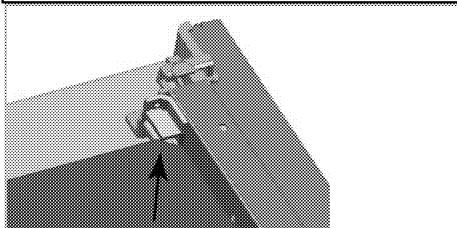
- 4 Glass holder connecting element*
- * (It may not exist on your product.)

Repeat the same procedure to remove the inner glass panel (2). The first step to regroup the door is reinstalling inner glass panel (2).

As illustrated in the figure, place the glass panel so that it is inserted to the plastic slot.

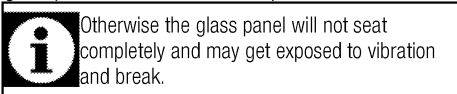


Otherwise the glass panel will not seat completely and may get exposed to vibration and break.



When installing the innermost glass panel (1), make sure that the printed side of the panel faces towards the inner glass panel.

It is important that the lower corners of the innermost glass panel are seated into the plastic slots.



Otherwise the glass panel will not seat completely and may get exposed to vibration and break.

Please remember to place the glass holding connecting parts into their slots.

Finally, press on the tabs of the profile to make them seat into their slots again.

Replacing the oven lamp



DANGER:

Before replacing the oven lamp, make sure that the product is disconnected from mains and cooled down in order to avoid the risk of an electrical shock.
Hot surfaces may cause burns!



The oven lamp is a special electric light bulb that can resist up to 300 °C. See *Technical specifications, page 13* for details. Oven lamps can be obtained from Authorised Service Agents or technician with licence.



Position of lamp might vary from the figure.



The lamp used in this appliance is not suitable for household room illumination. The intended purpose of this lamp is to assist the user to see foodstuffs.

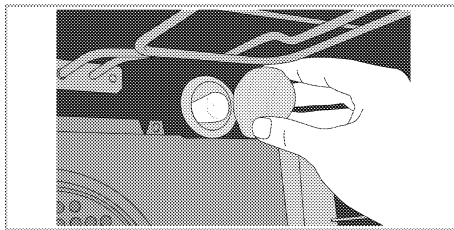


The lamps used in this appliance have to withstand extreme physical conditions such as temperatures above 50 °C.

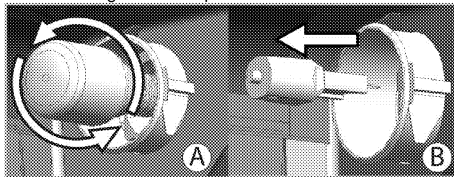
If your oven is equipped with a round lamp:

1. Disconnect the product from mains.

2. Turn the glass cover counter clockwise to remove it.



3. If your oven lamp is of type (A) shown in the figure below, remove it by rotating as shown and replace it. If it is of type (B), pull and remove it as shown in the figure and replace it.



4. Install the glass cover.

8 Troubleshooting

Oven emits steam when it is in use.

- It is normal that steam escapes during operation. >>> *This is not a fault.*

Product emits metal noises while heating and cooling.

- When the metal parts are heated, they may expand and cause noise. >>> *This is not a fault.*

Product does not operate.

- The mains fuse is defective or has tripped. >>> *Check fuses in the fuse box. If necessary, replace or reset them.*
- Product is not plugged into the (grounded) socket. >>> *Check the plug connection.*

Oven light does not work.

- Oven lamp is defective. >>> *Replace oven lamp.*
- Power is cut. >>> *Check if there is power. Check the fuses in the fuse box. If necessary, replace or reset the fuses.*

Oven does not heat.

- Function and/or Temperature are not set. >>> *Set the function and the temperature with the Function and/or Temperature knob/key.*
- Power is cut. >>> *Check if there is power. Check the fuses in the fuse box. If necessary, replace or reset the fuses.*

There is no ignition spark.

- No current. >>> *Check fuses in the fuse box.*

There is no gas.

- Main gas valve is closed. >>> *Open gas valve.*
- Gas pipe is bent. >>> *Install gas pipe properly.*

Burners are not burning properly or at all.

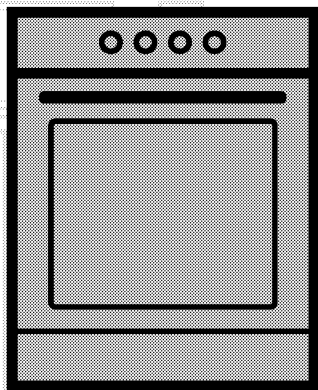
- Burners are dirty. >>> *Clean burner components.*
- Burners are wet. >>> *Dry the burner components.*
- Burner cap is not mounted safely. >>> *Mount the burner cap properly.*
- Gas valve is closed. >>> *Open gas valve.*
- Gas cylinder is empty (when using LPG). >>> *Replace gas cylinder.*



Consult the Authorised Service Agent or technician with licence or the dealer where you have purchased the product if you can not remedy the trouble although you have implemented the instructions in this section. Never attempt to repair a defective product yourself.

Piekarnik

Instrukcja użytkowania



PL

beko

Prosimy najpierw przeczytać tę instrukcję obsługi!

Drogi Kliencie,

Dziękujemy za wybór wyrobu firmy Beko. Mamy nadzieję, że wyrób ten, wyprodukowany zgodnie z najwyższymi wymogami jakościowymi i według najnowszej technologii, służyć Ci będzie jak najlepiej. Prosimy zatem przed użyciem tego wyrobu uważnie przeczytać całą tę instrukcję obsługi i wszystkie inne dostarczone z nim dokumenty i zachować je do wglądu w przyszłości. Jeśli przekazesz ten wyrób komuś innemu, oddajcie mu także tę instrukcję. Przestrzegaj wszelkich ostrzeżeń i informacji z tej instrukcji.

Pamiętaj, że niniejsza instrukcja użytkowania może odnosić się także do kilku innych modeli. Różnice pomiędzy modelami wskazano w niniejszej instrukcji.

Objaśnienie symboli

W niniejszej instrukcji użytkowania stosuje się następujące symbole:



Ważna informacja lub przydatna wskazówka dot. użytkowania



Ostrzeżenie przed zagrożeniem dla życia i mienia.



Ostrzeżenie przed porażeniem elektrycznym.



Ostrzeżenie przed zagrożeniem pożarem.



Ostrzeżenie przed gorącymi powierzchniami.

Niniejsze urządzenie jest zgodne z następującymi

Dyrektywami Unii Europejskiej:

- 2006/95/WE LVD (Niskie Napięcia)

- 2004/108/WE EMC (Kompatybilność Elektromagnetyczna)

Importer: Beko S.A.



Ul. Puławska 366, 02-819 Warszawa, www.beko.pl

1 Ważne instrukcje i ostrzeżenia
dotyczące bezpieczeństwa i ochrony
środowiska 4

Ogólne zasady bezpieczeństwa.....	4
Bezpieczeństwo przy pracy z gazem.....	5
Bezpieczeństwo elektryczne.....	6
Zasady zachowania bezpieczeństwa przy użytkowaniu tego wyrobu.....	7
Zamierzone przeznaczenie.....	9
Bezpieczeństwo dzieci.....	9
Stare urządzenia.....	10
Pozbywanie się materiałów opakowaniowych.....	10
Przyszły transport.....	10

2 Informacje ogólne 11

Opis urządzenia.....	11
Zawartość opakowania.....	12
Dane techniczne.....	13
Tabela wtryskiwacza.....	13

3 Instalacja 14

Przed zainstalowaniem.....	14
Instalacja i przyłączenie.....	15
Zmiana rodzaju gazu.....	17

4 Przygotowanie 18

Jak oszczędzać energię.....	18
Pierwszy raz.....	18

Pierwsze czyszczenie.....	18
Podgrzewanie wstępne.....	18

5 Jak używać płyty kuchennej 19

Ogólne informacje o gotowaniu.....	19
Użytkowanie płyt kuchennych.....	19

6 Jak obsługiwać piekarnik 21

Ogólne informacje o pieczeniu ciast i mięs oraz o grillowaniu.....	21
Jak obsługiwać piekarnik elektryczny.....	21
Tryby pracy.....	22
Tabela czasów pieczenia.....	23
Jak obsługiwać grill.....	24
Tabela czasów pieczenia przy grillowaniu.....	24

7 Czyszczenie i konserwacja 25

Informacje ogólne.....	25
Oczyszczenie płyty.....	25
Czyszczenie panelu sterowania.....	25
Czyszczenie piekarnika.....	25
Przenoszenie drzwiczek piekarnika.....	26
Wycinanie szyby w drzwiczkach.....	26
Wymiana lampki w piekarniku.....	28

8 Rozwiązywanie problemów 29

1 Ważne instrukcje i ostrzeżenia dotyczące bezpieczeństwa i ochrony środowiska

W rozdziale tym zawarto instrukcje zachowania bezpieczeństwa, które pomogą uniknąć zagrożenia obrażeniem lub szkodą.

Nieprzestrzeganie tych instrukcji spowoduje unieważnienie wszelkich gwarancji.

Ogólne zasady bezpieczeństwa

- Urządzenie może być używane przez dzieci w wieku 8 lat i starsze oraz osoby o ograniczonych zdolnościach fizycznych, czuciowych lub umysłowych, lub nieumiejętne i niedoświadczone, jeśli są pod nadzorem lub poinstruowano je w sprawach użytkowania tego urządzenia w sposób bezpieczny i rozumieją związane z tym zagrożenia.

Dzieci nie powinny bawić się tym urządzeniem. Dzieciom bez nadzoru nie należy powierzać czyszczenia ani konserwacji.

- Urządzenie może być używane przez osoby (w tym dzieci) niepełnosprawne fizycznie, psychicznie lub umysłowo, a także przez osoby bez doświadczenia lub wiedzy w zakresie obsługi urządzenia wyłącznie pod nadzorem lub po przednim poinstruowaniu

w zakresie bezpiecznego korzystania z urządzenia.

Należy dopilnować, aby dzieci nie bawiły się tym urządzeniem.

- W razie przekazania produktu innej osobie do użytku osobistego lub do celów związanych z wykorzystaniem używanego produktu należy przekazać go wraz z podręcznikiem użytkownika, etykietami produktu i innymi stosownymi dokumentami i elementami.
- Nie wolno ustawiać tego urządzenia na podłodze pokrytej wykładziną dywanową. W przeciwnym razie brak przepływu powietrza pod urządzeniem spowoduje przegrzanie jego części elektrycznych. Może to spowodować problemy.
- Instalacje i naprawy musi zawsze wykonywać autoryzowany pracownik serwisowy. Producent nie odpowiada za szkody wynikłe z instalacji i napraw wykonywanych przez osoby nieupoważnione i może z tego powodu unieważnić gwarancję. Przed instalacją uważnie przeczytaj tę instrukcję.
- Nie wolno uruchamiać tego wyrobu, jeśli jest niesprawny lub widocznie uszkodzony.

- Po każdym użyciu sprawdź, czy wyłączone zostały pokrętła funkcjonalne.

Bezpieczeństwo przy pracy z gazem

- Wszelkie prace na urządzeniach i instalacjach gazowych mogą być prowadzone wyłącznie przez autoryzowany i kwalifikowany personel.
- Przed instalacją należy upewnić się, że warunki w miejscowej sieci rozdzielczej (rodzaj i ciśnienia gazu) są kompatybilne z ustawieniami urządzenia.
- Urządzenie to nie jest przyłączone do systemu usuwania produktów spalania. Należy je zainstalować i przyłączyć zgodnie z obowiązującymi przepisami instalacyjnymi. Szczególną uwagę należy zwrócić na odnośne wymagania dotyczące wentylacji; Patrz *Przed zainstalowaniem, strona 14*
- Skutkiem użytkowania kuchenki gazowej jest ciepło, wilgoć oraz produkty spalania w pomieszczeniu, w którym ją zainstalowano. Należy zapewnić dobre przewietrzanie kuchni, zwłaszcza w czasie użytkowania kuchenki: utrzymywać naturalne otwory dachowe lub zainstalować wentylator mechaniczny (okap z wyciągiem mechanicznym). Długotrwałe intensywne użytkowanie tego urządzenia może wymagać dodatkowej wentylacji, np. poprzez zwiększenie poziomu wentylacji mechanicznej tam, gdzie jest obecna.
- Prawidłowe funkcjonowanie urządzeń i systemów gazowych trzeba regularnie kontrolować. Regulator, crevo i njegov stezaljka se moraju redovno proveravati i zameniti u vremenskom roku preporučenom od strane proizvođača ili kada je potrebno.
- Regularnie czyść palniki gazowe. Płomienie powinny być błękitne i powinny palić się równo.
- W urządzeniach gazowych potrzeba dobrego spalania. W razie niecałkowitego spalania może powstawać tlenek węgla (CO). Tlenek węgla jest bezbarwnym, bezwonny i bardzo trującym gazem o skutkach śmiertelnych nawet w bardzo małych dawkach.
- Poproś miejscowego dostawcę gazu o informację o telefonach alarmowych służb gazowych i środkach bezpieczeństwa na wypadek ulatniania się gazu.

Co robić, gdy poczuje się zapach gazu

- Nie używaj otwartego ognia i nie pal tytoniu. Nie używaj żadnych

przełączników elektrycznych (np. wyłącznika światła, czy dzwonnka u drzwi itd.). Nie używaj telefonu stacjonarnego ani komórkowego. Zagrożenie wybuchem i zatruciem!

- Zamknij wszystkie zawory na urządzeniu gazowym i gazomierzach.
- Otwórz drzwi i okna.
- Sprawdź szczelność wszystkich rur i połączeń. Jeśli nadal czuć gaz, wyjdź z mieszkania.
- Ostrzeż sąsiadów.
- Wezwij straż pożarną. Użyj telefonu poza domem.
- Nie wracajcie na teren nieruchomości, dopóki nie zostanie zapewnione bezpieczeństwo.

Bezpieczeństwo elektryczne

- W razie awarii tego urządzenia nie należy go używać do czasu naprawy przez autoryzowany serwis. Grozi to porażeniem elektrycznym!
- Piekarnik ten można podłączyć tylko do gniazdka z uziemieniem o napięciu i z zabezpieczeniem jakie podano w "Danych technicznych. Zleć wykonanie instalacji uziemienia wykwalifikowanemu elektrykowi, niezależnie od tego, czy używasz transformatora do zasilania. Firma nasza nie ponosi odpowiedzialności za jakiegokolwiek problemy wynikające z braku

uziemienia tego piekarnika zgodnie z miejscowymi przepisami.

- Nie wolno myć piekarnika rozlewając nań wodę! Grozi to porażeniem elektrycznym!
- Nie wolno dotykać wtyczki mokrymi dłońmi. Nie wolno wyciągać wtyczki ciągnąc za przewód, należy ją wyciągnąć chwytając za nią samą.
- Piekarnik ten trzeba odłączyć od zasilania na czas instalacji, konserwacji, czyszczenia i napraw.
- Aby uniknąć zagrożenie w przypadku uszkodzenia przewodu zasilającego, musi go wymienić producent, punkt serwisowy lub osoba o podobnych kwalifikacjach.
- Piekarnik należy tak zainstalować, aby można było go całkowicie odłączyć od sieci. Odłączenie to należy zapewnić albo poprzez wyjęcie wtyczki z gniazdka, albo wyłączenie wyłącznika, w który wyposażona jest domowa instalacja elektryczna, zgodnie z przepisami budowlanymi.
- Tylna powierzchnia piekarnika nagrzewa się w trakcie jego pracy. Upewnij się, że przyłączy gazowe/elektryczne nie dotyka tej tylnej powierzchni; w przeciwnym razie może ono ulec uszkodzeniu.
- Przewód zasilający nie może się zakleszczyć między drzwiczkami i

ramą piekarnika, a także nie można go prowadzić przez gorące powierzchnie. W przeciwnym wypadku izolacja przewodów może się topić i w rezultacie może nastąpić zwarcie.

- Wszelkie prace na układach i urządzeniach elektrycznych wykonywać może tylko upoważniony i wykwalifikowany personel.
- W razie jakiegokolwiek awarii wyłącz wyrób i odłącz go od sieci zasilającej. W tym celu wyłącz bezpiecznik zabezpieczający instalację domową.
- Upewnij się, że prąd bezpiecznika jest odpowiedni dla tego wyrobu.

Zasady zachowania bezpieczeństwa przy użytkowaniu tego wyrobu

- **OSTRZEŻENIE:** Podczas użytkowania urządzenie i jego części są gorące. Nie dotykać nagranych części. Dzieci poniżej 8 lat mogą przebywać w pobliżu urządzenia wyłącznie pod nadzorem osób dorosłych.
- Nigdy nie wolno używać tego wyrobu w stanie zakłócenia oceny sytuacji lub koordynacji przez konsumpcję alkoholu i/lub innych środków odmieniających świadomość.
- Zachowaj ostrożność, jeśli w potrawach stosuje się napoje alkoholowe. W wysokiej

temperaturze alkohol paruje i może się zapalić po zetknięciu z gorącymi powierzchniami.

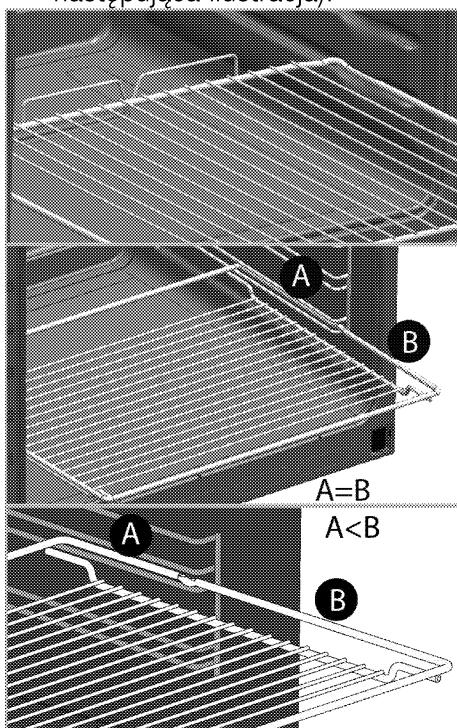
- Nie umieszczaj żadnych materiałów łatwopalnych w pobliżu tego wyrobu, ponieważ jego boki mogą bardzo się nagrzewać przy pracy.
- W trakcie użytkowania piekarnik nagrzewa się. Należy zachować ostrożność i nie dotykać elementów grzejnych wewnątrz piekarnika.
- Należy dbać, aby żaden otwór wentylacyjny nie był zakryty.
- Nie podgrzewaj w piekarniku zamkniętych puszek ani szklanych słoików. Ciśnienie, które wytworzy się w takiej puszcze/słoiku, może je rozsadzić.
- Nie umieszczaj foremek do pieczenia, naczyń ani folii aluminiowej bezpośrednio na dnie piekarnika. Nagromadzenie ciepła mogłoby zniszczyć dno piekarnika.
- "Do czyszczenia szyby w drzwiczkach piekarnika nie należy używać szorstkich środków czyszczących ani ostrych skrobaków metalowych, ponieważ mogą one zarysować powierzchnię, co może doprowadzić do popękania szyby."
- Do czyszczenia tego urządzenia nie używaj urządzeń parowych,

ponieważ może to spowodować porażenie prądem.

- (Różnią się zależnie od modelu piekarnika.)

Właściwe umieszczanie rusztu i foremki na stelażach

Właściwe umieszczanie na stelażu rusztu i/lub tacki na ociekający tłuszcz jest niezwykle ważne. Wsuń ruszt lub tackę na ociekający tłuszcz pomiędzy dwie szyny i zanim umieścisz na nim potrawę upewnij się, że jest wypoziomowany (patrz następująca ilustracja).



- Nie używaj tego wyrobu z wyjętą lub popękaną szybą w przednich drzwiczkach.

- Uchwyt na drzwiach piekarnika nie służy do suszenia ręczników. Przy otwartych drzwiczkach i załączonej funkcji grillowania nie wieszaj na niej ręczników, rękawic, ani podobnych wyrobów tekstylnych.
- Do wkładania i wyjmowania potraw z gorącego piekarnika zawsze zakładaj odporne na wysokie temperatury rękawice.
- Wyłóż naczynie do pieczenia, lub akcesorium z piekarnika (tackę, ruszt druciany, itp.), papierem do pieczenia, włóż do niego potrawę i wstaw je do wstępnie nagrzanego piekarnika. Utnij nadmiar papieru wystający z naczynia lub akcesorium, aby zapobiec ryzyku dotknięcia elementów grzejnych piekarnika. Nie wolno używać papieru do pieczenia w temperaturze roboczej większej niż wskazana dla tego papieru. Nie wykładaj papierem bezpośrednio dna piekarnika.
- **OSTRZEŻENIE:** Przed wymianą lampy upewnij się, że piekarnik jest wyłączony, aby uniknąć zagrożenia porażeniem prądem elektrycznym.
- Nie zamykaj pokrywy, zanim płyta nie ostygnie wystarczająco. Przed otwarciem pokrywy należy ją wytrzeć do sucha, aby woda

nie przedostała się do tylnych i wewnętrznych części piekarnika. Pokrywa szklana może popękać, gdy zostanie nagrzana. Zgasić wszystkie palniki przed opuszczeniem pokrywy.

- Aby uniknąć przegrzania, urządzenia nie należy umieszczać za dekoracyjnymi drzwiami.
- Urządzenie należy ustawić bezpośrednio na podłodze. Nie może ono stać na podstawie ani cokole.
- **OSTRZEŻENIE:** Gotowania na kuchence w tłuszczu lub oleju bez dozoru może być niebezpieczne i może doprowadzić do pożaru. NIE próbuj gasić ognia wodą, ale wyłącz kuchenkę, a następnie stłum płomień, np. pokrywką lub kocem gaśniczym.
- **UWAGA:** Gotowanie należy nadzorować. Krótkie gotowanie należy stale nadzorować.
- **OSTRZEŻENIE:** Zagrożenie pożarowe: Nie stawiaj niczego na powierzchniach do gotowania.

Aby uniknąć zagrożenia pożarem przy użytkowaniu tej kuchenki;

- Upewnij się, że wtyczka pasuje do gniazdka i nie powoduje iskrzenia.
- Nie należy używać uszkodzonych ani uciętych przewodów, ani przedłużaczy, a tylko oryginalnego przewodu zasilającego.

- Upewnij się, że gniazdko, do którego włączona jest kuchenka jest suche.
- Upewnij się, że przyłączy gazu zainstalowany jest tak, że nie powoduje wycieku gazu.

Zamierzone przeznaczenie

- Wyrób ten przeznaczony jest do użytku domowego. Nie dopuszcza się użytkowania komercyjnego.
- Urządzenie to służy wyłącznie do pieczenia potraw. Nie wolno używać go do innych celów, na przykład do ogrzewania pomieszczeń."
- Urządzenia tego nie należy używać do podgrzewania talerzy pod grillem, suszenia ręczników, ścierek do naczyń, itp. na uchwytach, ani do celów suszenia lub ogrzewania.
- Producent nie odpowiada za szkody spowodowane niewłaściwym użytkowaniem tego wyrobu lub obchodzeniem się z nim.
- Piekarnik można używać do rozmrażania, smażenia, pieczenia i grillowania potraw.

Bezpieczeństwo dzieci

- **OSTRZEŻENIE:** Dostępne części mogą się nagrzewać podczas użytkowania. Małe dzieci należy trzymać z dala od kuchenki.
- Materiały opakowaniowe mogą być niebezpieczne dla dzieci.

Trzymać materiały opakowaniowe z dala od dzieci. Prosimy pozbyć się całego opakowania zgodnie z normami ochrony środowiska.

- Urządzenia elektryczne i/lub gazowe są niebezpieczne dla dzieci. W trakcie pracy tego produktu nie dopuszczaj do przebywania dzieci w jego pobliżu ani do zabawy.
- Nie stawiaj na tym urządzeniu żadnych przedmiotów, po które mogłyby sięgać dzieci.
- Gdy drzwiczki są otwarte obciążaj ich żadnymi ciężkimi przedmiotami i nie pozwalaj dzieciom siadać na nich. Piekarnik może się przewrócić, lub mogą się uszkodzić zawiasy drzwiczek.

Stare urządzenia

Zgodność z dyrektywą WEEE i usuwanie odpadów:



Niniejszy wyrób jest zgodny z dyrektywą Parlamentu Europejskiego i Rady (2012/19/WE). Wyrób ten oznaczony jest symbolem klasyfikacji zużytych urządzeń elektrycznych i elektronicznych (WEEE). Wyrób ten wykonano z części i materiałów wysokiej jakości, które mogą być odzyskane i użyte jako surowce wtórne. Po zakończeniu użytkowania należy pozbywać się go razem z innymi odpadkami

domowymi. Należy przekazać go do punktu zbiorczych urządzeń elektrycznych i elektronicznych na surowce wtórne. Aby dowiedzieć się, gdzie jest najbliższy taki punkt, prosimy skonsultować się z władzami lokalnymi.

Zgodność z dyrektywą RoHS:

Niniejszy wyrób jest zgodny z dyrektywą Parlamentu Europejskiego i Rady RoHS (Ograniczenie użycia substancji niebezpiecznych) (2011/65/WE). Nie zawiera szkodliwych i zakazanych materiałów, podanych w tej dyrektywie.

Pozbywanie się materiałów opakowaniowych

- Materiały opakowaniowe są niebezpieczne dla dzieci. Należy trzymać je w bezpiecznym miejscu, niedostępne dla dzieci. Opakowanie tego wyrobu wyprodukowano z surowców wtórnych. Należy odpowiednio się ich pozbywać i sortować je zgodnie z instrukcjami gospodarki surowcami wtórnymi. Nie należy ich wyrzucać razem ze zwykłymi odpadkami domowymi.

Przyszy transport

- Zachowaj oryginalne pudło kartonowe na piekarnik i transportuj go w nim. Przestrzegaj instrukcji na pudle. Jeśli nie masz oryginalnego pudła, zapakuj piekarnik w folię bąbelkową lub grubą tekturę i zabezpiecz taśmą klejącą.
- Aby zapobiec uszkodzeniu drzwiczek przez ruszt druczany i tackę z wnętrza piekarnika włóż do jego środka pasek tektury, równo z pozycją tacek. Drzwiczki piekarnika zabezpiecz taśmą klejącą do ścian bocznych.
- Zabezpiecz taśmą klejącą kołpaki i podstawki od garnki.
- Nie podnoś piekarnika za drzwiczki ani za klamkę.



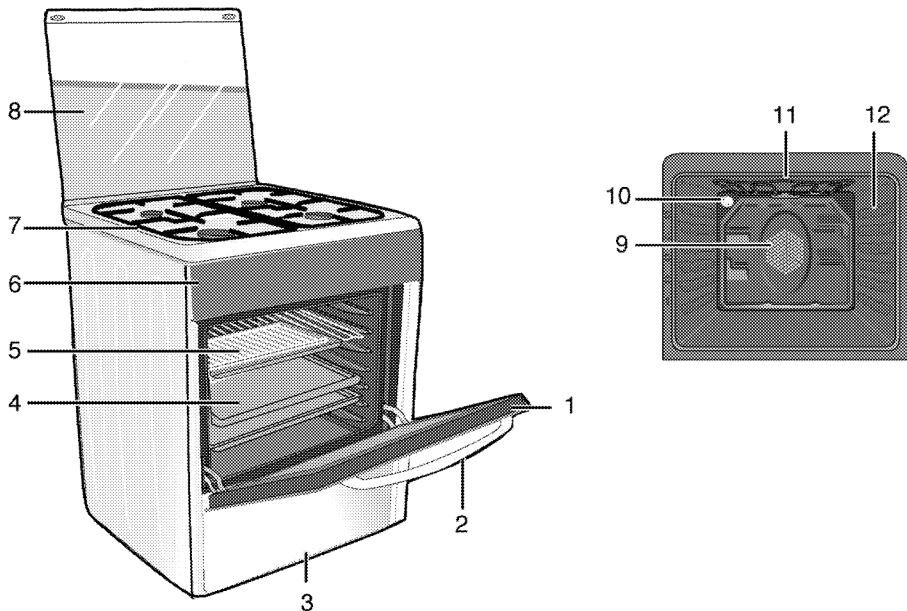
Nie stawiaj na nim żadnych przedmiotów i przemieszczaj go w pozycji pionowej.



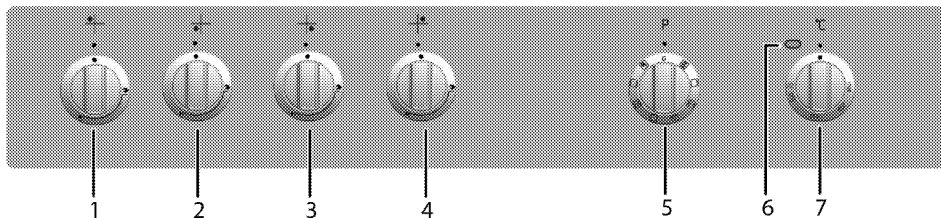
Sprawdź, czy piekarnik nie uległ w transporcie widocznym uszkodzeniom.

2 Informacje ogólne

Opis urządzenia



- | | | | |
|---|--------------------|----|---------------------------------------|
| 1 | Drzwiczki przednie | 7 | Płyta grzejnika |
| 2 | Uchwyt | 8 | Pokrywa górna |
| 3 | Część dolna | 9 | Silnik wentylatora (za płytą stalową) |
| 4 | Tacka | 10 | Lampka |
| 5 | Półka druciana | 11 | Element grzejny grilla |
| 6 | Panel sterowania | 12 | Pozycje półki |



- | | |
|---|---------------------------------|
| 1 | Palnik normalny Tylny lewy |
| 2 | Palnik szybki Przedni lewy |
| 3 | Palnik pomocniczy Przedni prawy |
| 4 | Palnik normalny Tylny prawy |
| 5 | Pokrętko wyboru funkcji |
| 6 | Lampka termostatu |
| 7 | Pokrętko termostatu |

Zawartość opakowania

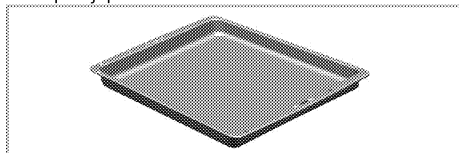


Dostarczane akcesoria różnią się zależnie od modelu wyrobu. Niektóre z akcesoriów opisanych w instrukcji obsługi mogą nie być dostarczane razem z tym modelem produktu.

1. Instrukcja użytkowania

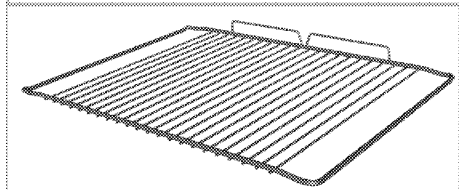
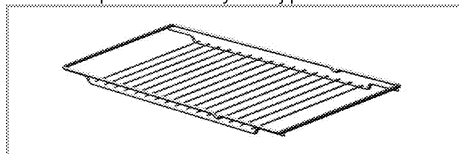
2. Blacha do pieczenia

Służy do pieczenia ciast, mrożonek i dużych porcji pieczenia.



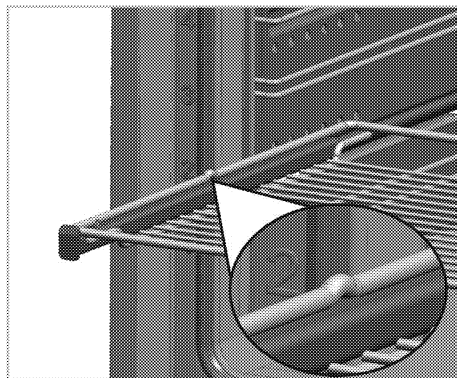
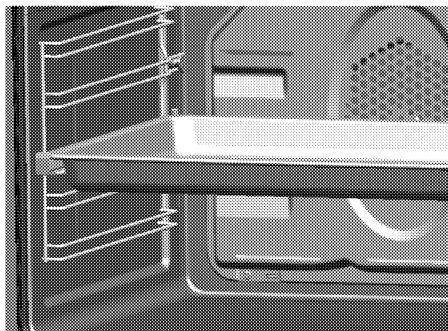
3. Półka druciana

Służy do pieczenia oraz do ustawiania potraw do smażenia, pieczenia lub gotowania w naczyniach do zapiekank na wybranej półce.



4. Właściwe umieszczenie półki drucianej i foremki na stelażach teleskopowych (Ta funkcja jest dostępna opcjonalnie. Może ona nie wchodzić w zakres wyposażenia zakupionego produktu).

Teleskopowe stelaże pozwalają na łatwe zakładanie i zdejmowanie foremek oraz rusztu. Podczas używania foremki i rusztu ze stelażem teleskopowym, muszą być do nich dosunięte kołki znajdujące się z tyłu stelaża teleskopowego, przy krawędziach rusztu i foremki.



Dane techniczne

DANE OGÓLNE	
Wymiary zewnętrzne (wys./szer./głęb.)	850 mm/500 mm/600 mm
Napięcie/częstotliwość	220-240 V ~ 50 Hz
Łączne zużycie energii el.	2.1 kW
Bezpiecznik	10 A
Typ/ przekrój przewodu	min.H05W-FG 3 x 1 mm ²
Kategoria wyrobu gazowego	Kat II 2ELs3B/P
Typ/ciśnienia gazu	2E (G20)/20 mbar
Łączne zużycie gazu	7.9 kW
Konwersja na typ/ciśnienie gazu ^S	2Ls (G2.350)/13 mbar
opcjonalna	3B/P (G30)/37 mbar
PŁYTA KUCHENNA	
Palniki	
Tylny lewy	Palnik normalny
Moc	2 kW
Przedni lewy	Palnik szybki
Moc	2.9 kW
Przedni prawy	Palnik pomocniczy
Moc	1 kW
Tylny prawy	Palnik normalny
Moc	2 kW
PIEKARNIK/GRILL	
Piekarnik główny	Piekarnik wielofunkcyjny
Oświetlenie wewnętrzne	15–25 W
Zużycie energii el. przez grill.	1.6 kW

* Informacja podstawowa: Dane na etykietach energetycznych piekarników elektrycznych podaje się zgodnie z normą PL-EN 60350-1 / IEC 60350-1. Wartości te określa się przy standardowym obciążeniu z czynnymi funkcjami grzejnika górnego-dolnego i wspomaganie nagrzewania wentylatorem (jeśli funkcje takie są dostępne).

Klasę sprawności energetycznej określa się zgodnie z następującą priorytetyzacją, zależnie od występowania odpowiednich funkcji w danym modelu piekarnika. 1-Pieczenie z wentylatorem eco-fan, 2-Pieczenie turbo powolne, 3-Pieczenie turbo, 4-Grzałki dolna/górna wspomagane wentylatorem.



Dane techniczne mogą zostać zmienione bez uprzedzenia w celu poprawy jakości wyrobu.



Rysunki w tej instrukcji są schematyczne i mogą się nieco różnić od danego wyrobu.



Wartości podane na etykietkach wyrobu lub w towarzyszącej mu dokumentacji uzyskano w warunkach laboratoryjnych zgodnie z jednostronnymi normami. Wartości te mogą się różnić zależnie od operacyjnych i środowiskowych warunków pracy danego wyrobu.

Tabela wtryskiwacza

pozycja strefy płyty kuchennej	2 kW Tylny lewy	2.9 kW Przedni lewy	1 kW Przedni prawy	2 kW Tylny prawy
Typ/ciśnienia gazu				
2E (G20)/20 mbar	103	115	72	103
3B/P (G30)/37 mbar	66	80	47	66
2Ls (G2.350)/13mbar	131	165	95	131

3 Instalacja

Produkt musi zostać zainstalowany przez wykwalifikowaną osobę i zgodnie z obowiązującymi przepisami. W przeciwnym gwarancja zostanie unieważniona. Producent nie odpowiada za szkody wynikłe z instalacji i napraw wykonywanych przez osoby nieupoważnione i może z tego powodu unieważnić gwarancję.



Przygotowanie miejsca do instalacji i dostępu do sieci elektrycznej i gazowej to obowiązek klienta.



ZAGROŻENIE:

Urządzenie to należy instalować zgodnie z miejscowymi przepisami dot. instalacji gazowych i elektrycznych.

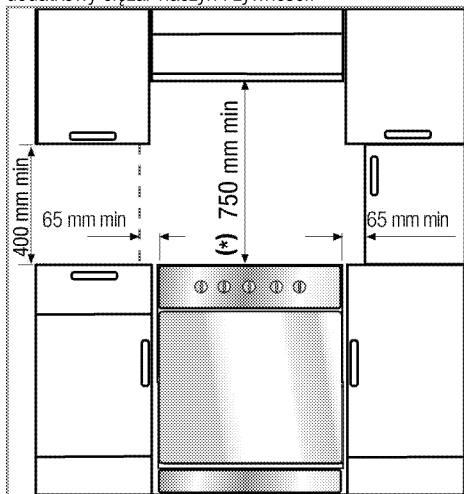


ZAGROŻENIE:

Przed zainstalowaniem sprawdź, czy wyrób nie ma widocznych defektów. Jeśli ma, nie instaluj go. Uszkodzone wyroby zagrażają Twemu bezpieczeństwu.

Przed zainstalowaniem

Aby zapewnić zachowanie odpowiedniego odstępu na przepływ powietrza pod tym wyrobem zalecamy zamontowanie go na solidnej podstawie, której nóżki nie zagłębiają się w dywan lub wykładzinę dywanową. Podłoga kuchni musi unieść masę urządzenia plus dodatkowy ciężar naczyń i żywności.



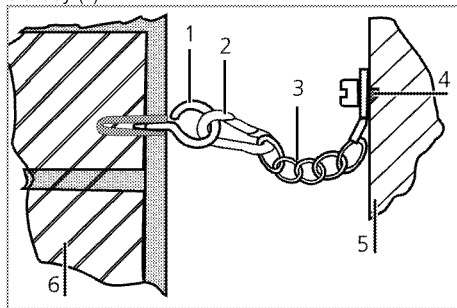
- Można go używać razem z szafkami po obu stronach, ale należy zachować minimalny odstęp 40 cm ponad poziomem płyty grzewczej

zachowaj boczny odstęp 6,5 cm pomiędzy tym urządzeniem a ścianą, ścianką działową lub wysoką szafką kuchenną.

- Można go także używać w pozycji wolnostojącej. Zachowaj minimalny odstęp 750 mm ponad powierzchnią płyty kuchennej.
- (*) Jeśli nad kuchenką ma być zainstalowany wyciąg, sprawdź wysokość instalacji w instrukcji wytwórcy wyciągu (min. 650 mm).
- Urządzenie te odpowiada klasie 1, tzn. można je ustawić tyłem i **jednym** bokiem do ścian kuchni, mebli kuchennych, czy urządzeń dowolnych rozmiarów. Meble lub sprzęty kuchenne po **drugiej** stronie nie mogą być większe.
- Sąsiadujące z urządzeniem meble kuchenne muszą być odporne na wysoką temperaturę (co najmniej do 100 °C).

Łańcuch bezpieczeństwa

Urządzenie to należy zabezpieczyć przed przewróceniem mocując je dwoma łańcuchami bezpieczeństwa dostarczonymi wraz z piekarnikiem. Umocuj hak (1) używając odpowiedniego kołka wbitego w ścianę kuchni (6) i bezpiecznie zaczepek łańcuch bezpieczeństwa (3) o hak, wykorzystując mechanizm blokady (2).



- Hak stabilizujący
- Mechanizm blokady
- Łańcuch bezpieczeństwa
- Mono przytwierdź łańcuch do tyłu piekarnika.
- Tył piekarnika
- Ściana kuchni



Łańcuch stabilizujący musi być jak najkrótszy, aby uniemożliwić przechylenie się piekarnika w przód. Przechyłom bocznym zapobiega łańcuch poprzeczny.

Łańcuch stabilizujący kuchenki bez otworu na zaczep uchwyty.

Wentylacja pomieszczenia

Wszystkie pomieszczenia powinny być wyposażone w okno, które można otwierać (lub podobne rozwiązanie). W przypadku niektórych pomieszczeń konieczny może być również stały otwór wentylacyjny. Powietrze do spalania jest pobierane z pomieszczenia, a produkty spalania ulatniają się bezpośrednio do pomieszczenia. Dobra wentylacja jest niezwykle ważna dla bezpiecznego użytkowania produktu.

Pomieszczenia z drzwiami i/lub oknami otwieranymi bezpośrednio na zewnątrz budynku

Drzwi i/lub okna otwierane bezpośrednio na zewnątrz budynku muszą tworzyć otwór wentylacyjny o łącznych wymiarach określonych w poniższej tabeli stworzonej na podstawie całkowitej mocy gazowej urządzenia (całkowite zużycie mocy gazowej urządzenia przedstawiono w tabeli specyfikacji technicznych w niniejszej instrukcji obsługi). Jeśli drzwi i/lub okna nie zapewniają łącznego otworu wentylacyjnego odpowiadającego całkowitemu zużyciu gazu przez urządzenie zgodnie z poniższą tabelą, wówczas należy stworzyć dodatkowy stały otwór wentylacyjny w pomieszczeniu, aby zapewnić osiągnięcie minimalnych wymagań dotyczących łącznej wentylacji dla całkowitego zużycia gazu przez urządzenie. Stały otwór wentylacyjny może obejmować wymiary otworów istniejących pustaków, otworu kanału wyciągowego okapu itp.

Całkowite zużycie gazu (kW)	Minimalny otwór wentylacyjny (cm ²)
0–2	100
2–3	120
3–4	175
4–6	300
6–8	400
8–10	500
10–11,5	600
11,5–13	700
13–15,5	800
15,5–17	900
17–19	1000
19–24	1250

Pomieszczenia bez drzwi i/lub okien otwieranych bezpośrednio na zewnątrz budynku

Jeśli pomieszczenie, w którym urządzenie jest instalowane, nie jest wyposażone w drzwi i/lub okna otwierające się bezpośrednio na zewnątrz budynku,

należy znaleźć inne produkty zapewniające stały, nieregulowany i niezamykany otwór wentylacyjny zgodny z łącznymi minimalnymi wymaganiami stawianymi otworom wentylacyjnym dla całkowitego zużycia gazu przez urządzenie wskazanymi w powyższej tabeli. Należy również przestrzegać odpowiednich przepisów budowlanych. W przypadku, gdy pomieszczenie lub przestrzeń wewnętrzną wyposażono w więcej niż jedno urządzenie gazowe, należy zapewnić dodatkową przestrzeń wentylacyjną ponad tą wymaganą w powyższej tabeli. Wielkość dodatkowego obszaru wentylacyjnego powinna odpowiadać regulacjom dotyczącym pozostałych urządzeń gazowych. Prześwit pod dolną krawędzią drzwi prowadzących z pomieszczenia, w którym zainstalowano urządzenie do innych pomieszczeń wewnątrz budynku powinien wynosić co najmniej 10 mm. Należy się upewnić, że elementy takie jak dywany, wykładziny podłogowe itp. nie mają wpływu na ten prześwit, gdy drzwi są zamknięte.

Kuchenkę można umieścić w kuchni, jadalni lub w pokoju dziennym pełniącym również funkcję sypialni, ale nie w pomieszczeniu wyposażonym w wannę lub prysznic. Kuchenki nie wolno instalować w pokoju dziennym pełniącym również funkcję sypialni o kubaturze mniejszej niż 20 m³.

Urządzenia nie wolno instalować w pomieszczeniach znajdujących się poniżej poziomu gruntu, chyba że są one otwarte na poziomie gruntu co najmniej z jednej strony.

Instalacja i przyłączenie

Urządzenie to można instalować i przyłączać wyłącznie zgodnie z obowiązującymi zasadami instalowania.



Nie instaluj tego urządzenia w pobliżu lodówek lub zamrażarek. Wydzielane z tego piekarnika ciepło może zwiększyć zużycie energii przez urządzenia chłodzące.

- Urządzenie nosić muszą przynajmniej dwie osoby.
- Urządzenie trzeba ustawić bezpośrednio na podłodze. Nie może stać na podstawie ani cokole.



Nie podnoś piekarnika za drzwiczki ani za kłankę. Drzwiczki, uchwyt lub zawiasy mogą się uszkodzić.

Przyłączenie elektryczne

Przyłącz ten wyrób do uzziemionego gniazdka/obwodu zabezpieczonego bezpiecznikiem o odpowiedniej specyfikacji podanej w tabeli „Dane techniczne”. Zlecenie wykonania instalacji uzziemienia wykwalifikowanemu elektrykowi, niezależnie od tego, czy używasz transformatora do zasilania. Firma nasza nie

odpowiada za żadne szkody wynikłe z użytkowania tego wyrobu bez uziemienia, zgodnie z przepisami miejscowymi.



ZAGROŻENIE:

Wyrób ten musi być przyłączony do sieci elektrycznej przez osobę upoważnioną i wykwalifikowaną. Gwarancja na ten wyrób obowiązuje dopiero po jego prawidłowym zainstalowaniu. Producent nie odpowiada za szkody wynikłe z instalacji i napraw wykonywanych przez osoby nieupoważnione.



ZAGROŻENIE:

Przewodu zasilającego nie można klamrować, zginać i przyciskać, ani stykać z gorącymi częściami urządzenia. Przewody uszkodzone wymieniać może tylko wykwalifikowany elektryk. Zagrożenie porażeniem elektrycznym, zwarcieniem lub pożarem z powodu niefachowej instalacji!

Parametry zasilania muszą odpowiadać danym podanym na tabliczce znamionowej urządzenia. Tabliczkę znamionową albo widać przy otwartych drzwiczkach dolnej pokrywy, albo umieszczona jest na tylnej ścianie, zależnie od typu urządzenia. Przewód zasilający ten wyrób musi odpowiadać parametrom podanym w tabeli "Dane techniczne".



Wtyczka przewodu zasilająca musi być łatwo dostępna po zainstalowaniu (nie prowadzić przewodu ponad płytą kuchenną).



ZAGROŻENIE:

Przed podjęciem jakichkolwiek prac przy instalacji elektrycznej, odłącz to urządzenie od zasilania. Grozi to porażeniem elektrycznym!

Włóż wtyczkę przewodu zasilającego do gniazdka.

Złącze gazowe



ZAGROŻENIE:

Wyrób ten musi być przyłączony do sieci gazowej przez osobę uprawnioną i wykwalifikowaną. Zagrożenie wybuchem lub zatruciem na skutek niefachowej naprawy. Producent nie odpowiada za szkody wynikłe z instalacji i napraw wykonywanych przez osoby nieupoważnione.



ZAGROŻENIE:

Przed podjęciem jakichkolwiek prac przy instalacji gazowej, należy odciąć zasilanie gazem. Istnieje groźba wybuchu!

- Warunki i wartości zasilania w gaz podane są na etykietach (lub tabliczce znamionowej).



Produkt jest przeznaczony do gazu ziemnego (GZ).

- Przez zainstalowaniem tego wyrobu trzeba przygotować instalację gazu ziemnego.
- Na wyjściu z instalacji przyłącza gazu ziemnego od tego wyrobu musi być giętka rura, a jej końcówka musi być zamknięta wtyczką. Przy przyłączaniu pracownik serwisu wyjmie zatyczkę i przyłączy urządzenie za pomocą prostego złącza (mufty).
- Upewnij się, że jest łatwy dostęp do zaworu gazu ziemnego.
- Jeśli później zechcesz używać tego urządzenia zasilając go innego typu gazem, musisz skonsultować się z upoważnionym serwisem w sprawie odnośnej procedury konwersji.



ZAGROŻENIE:

Przewodu gazu nie można klamrować, zginać i przyciskać, ani stykać z gorącymi częściami urządzenia. Istnieje groźba wybuchu z powodu uszkodzenia przewodu.

- Przysuń wyrób do ściany kuchni.
- **Ustawianie nóżek piekarnika**
Drgania w trakcie pracy mogą powodować przesuwanie się naczyń. Jej niebezpiecznej sytuacji można uniknąć poziomując i równoważąc wyrób.
Dla własnego bezpieczeństwa upewnij się, że wyrób stoi prosto stawiając cztery nóżki na spodzie obracając je w lewo lub prawo i wyrównaj poziom z blatem kuchennym.

Ostateczne sprawdzenie

1. Sprawdź funkcje elektryczne.
2. Otwórz zasilanie gazem.
3. Sprawdź bezpieczeństwo pasowania i szczelność instalacji gazowych.
4. Zapal palniki i sprawdź wygląd płomienia.



Ogień musi być niebieski i mieć kształt regularny. Jeśli płomienie żółcieją, sprawdź, czy kołpak palnika pewnie siedzi albo oczyść palnik.

Zmiana rodzaju gazu



ZAGROŻENIE:

Przed podjęciem jakichkolwiek prac przy instalacji gazowej, należy odciąć zasilanie gazem.
Istnieje groźba wybuchu!

Aby zmienić typ gazu zasilającego to urządzenie wymienia się wszystkie wtryski i reguluje płomień na wszystkich zaworach przy ograniczonym przepływie gazu.

Wymiana wtrysków do palników

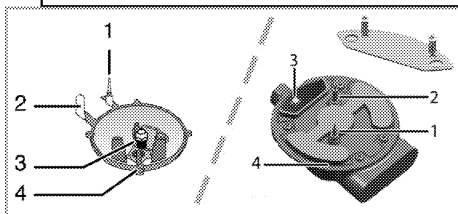
1. Zdejmij kotłak palnika i wyjmij korpus palnika.
2. Odkręć wtryski przekręcając je w lewo.
3. Załóż nowe wtryski.
4. Sprawdź bezpieczeństwo pasowania i szczelność wszystkich połączeń.



Pozycje nowych wtrysków są zaznaczone na ich opakowaniu lub w odpowiedniej tabeli, *Tabela wtryskiwacza, strona 13* do której należy zawsze sięgać.



((Różnią się zależnie od modelu piekarnika.))
W niektórych palnikach na płycie kuchennej wtrysk jest nakryty metalową pokrywą. W przypadku wymiany wtrysku tę pokrywę należy zdjąć.



- 1 Czujnik zaniku płomienia (zależnie od modelu)
- 2 Świca zapłonowa
- 3 Wtrysk
- 4 Palnik



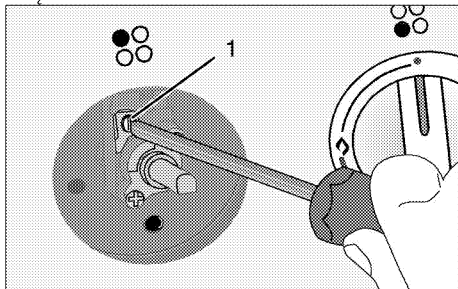
O ile nie zachodzą warunki nienormalne, nie staraj się wyjąć kurków gazowych palników. Jeśli trzeba wymienić te kurki, należy wezwać autoryzowany serwis.

Ustawienie kurków płyty na ograniczony strumień gazu

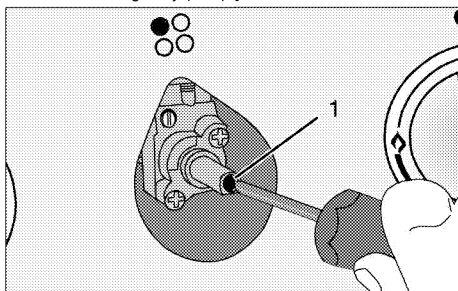
1. Zapal palnik, który ma być ustawiany i obróć pokrętkę do pozycji niskiego płomienia.

2. Zdejmij pokrętkę z kurka gazu.
3. Do ustawiania śruby regulacji przepływu należy używać śrubokręta o odpowiednim rozmiarze.
Dla gazu płynnego (butan/propan) należy raz obrócić tę śrubę w prawo. Dla gazu ziemnego należy raz obrócić tę śrubę **w lewo**.
» Normalna długość wyprostowanego płomienia w stanie ograniczenia wynosi 6-7 mm.
4. Jeśli płomień sięga wyżej, niż należy, obróć śrubę zgodnie z ruchem wskazówek zegara. Jeśli jest zbyt mały, obróć ją w lewo.
5. Na koniec kontroli ustaw palnik na płomień wysoki a potem na zredukowany i sprawdź, czy płomień utrzymuje się.

Pozycja śruby regulacyjnej może się różnić, zależnie od typu kurka gazowego zastosowanego w danym urządzeniu.



1 Śruba regulacji przepływu



1 Śruba regulacji przepływu



Jeśli zmieniono rodzaj gazu zasilającego urządzenie, wówczas trzeba także zmienić tabliczkę znamionową, gdzie rodzaj gazu jest podany.

4 Przygotowanie

Jak oszczędzać energię

Następujące wskazówki pomogą użytkownikowi urządzenie w sposób ekologiczny oraz energooszczędny.

- Używaj naczyń w ciemnych barwach lub emaliowanych, co poprawi przepływ ciepła.
- Gotując potrawy wykonuj operacje podgrzewania, jeśli zaleca się ją w instrukcji obsługi lub przepisie gotowania.
- Nie otwieraj zbyt często drzwiczek w trakcie gotowania.
- O ile to możliwe staraj się gotować w piekarniku więcej niż jedną potrawę na raz. Można gotować w dwóch naczyniach obok siebie na ruszcie.
- Gotuj potrawy po kolei. Piekarnik będzie już gorący.
- Można oszczędzić energię wyłączając piekarnik na kilka minut przed upływem czasu gotowania. Nie otwieraj drzwiczek piekarnika.
- Rozmrażaj mrożonki przed gotowaniem.
- Do gotowania używaj garnków/ronbli z pokrywkami. Gotowanie bez pokrywy może czterokrotnie zwiększyć pobór prądu.
- Gotuj na palniku o średnicy odpowiadającej średnicy garnka. Zawsze wybieraj garnki o rozmiarze odpowiednim do potrawy. Większe garnki zużywają więcej prądu.

Pierwszy raz

Pierwsze czyszczenie



Pewne detergenty lub środki czyszczące mogą uszkodzić powierzchnię.

Nie używaj agresywnych detergentów, proszku/mleczka do czyszczenia, ani żadnych ostrych przedmiotów.

1. Usuń wszystkie materiały opakowaniowe.
2. Wytrzyj powierzchnie wyrobu wilgotną ściereczką lub gąbką i wytrzyj do sucha ściereczką.

Podgrzewanie wstępne

Nagrzewaj urządzenie przez ok. 30 minut, a potem je wyłącz. Przed pierwszym użyciem należy wypalić wszelkie pozostałości po produkcji i warstwy ochronne.



OSTRZEŻENIE

Można się poparzyć od gorących powierzchni!

Urządzenie to nagrzewa się podczas pracy. Nie dotykaj gorących palników, wewnętrznych sekcji piekarnika, elementów grzejnych itp. Zakaz zbliżania się dzieci!

Do wkładania i wyjmowania potraw z gorącego piekarnika zawsze zakładaj odporne na wysokie temperatury rękawice.

Piekarnik elektryczny

1. Wyjmij z piekarnika wszystkie foremki do pieczenia i ruszt.
2. Zamknij drzwiczki piekarnika.
3. Wybierz pozycję „Static” (Statyczne)
4. Wybierz najwyższą moc grilla; patrz *Jak obsługiwać piekarnik elektryczny, strona 21*.
5. Niech piekarnik pracuje przez ok. 30 minut.
6. Wyłącz piekarnik; patrz *Jak obsługiwać piekarnik elektryczny, strona 21*

Piekarnik z grillem

1. Wyjmij z piekarnika wszystkie foremki do pieczenia i ruszt.
2. Zamknij drzwiczki piekarnika.
3. Wybierz najwyższą moc grilla; patrz *Jak obsługiwać grill, strona 24*.
4. Niech piekarnik pracuje przez ok. 30 minut.
5. Wyłącz grill; patrz *Jak obsługiwać grill, strona 24*



W trakcie pierwszego uruchomienia przez parę godzin mogą się wydzielać dym i zapach. Jest to całkiem normalne. Zadbaj o dobrą wentylację kuchni i pozbądź się dymu i zapachu. Nie wdychać bezpośrednio powstającego dymu i zapachu.

5 Jak używać płyty kuchennej

Ogólne informacje o gotowaniu



Nigdy nie wolno napełniać rondla olejem powyżej jednej-trzeciej jego pojemności. Podczas podgrzewania oleju nie wolno pozostawiać płyty bez nadzoru. Przegrzany olej może zapalić się. **Nigdy nie wolno gasić ognia wodą!** Gdy olej się zapali, natychmiast przykryć go kocem gaśniczym lub wilgotną szmatą. Gdy już będzie to bezpieczne należy wyłączyć kuchenkę i zadzwonić po straż pożarną.

- Przed smaženiem potrawy zawsze dokładnie ją osusz, a potem delikatnie ją połóż na gorącym oleju. Przed smaženiem mrozonek upewnij się, że całkowicie odtajały.
- Nie przykrywaj naczynia, w którym podgrzewasz olej.
- Patelnie i rondle ustawiaj tak, aby ich trzonki nie były nad płytą, co zapobiegnie ich nagrzewaniu się. Nie stawiaj na płycie naczyń niewyważonych i takich, które łatwo mogą się przechylić.
- Nie stawiaj pustych naczyń ani garnków na załączonych strefach gotowania. Mogą się uszkodzić.
- Załączenie strefy gotowania, na której nie stoi zadno naczynie ani garnek, może uszkodzić ten wyrób. Po zakończeniu gotowania wyłącz strefy gotowania.
- Ponieważ powierzchnia tego wyrobu może być gorąca, nie stawiaj na niej naczyń plastikowych ani aluminiowych.

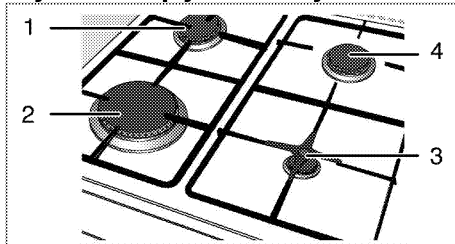
W naczyniach takich także nie należy przechowywać żywności.

- Używaj tylko garnków i naczyń z płaskim dnem.
- Do garnków i patelni wkładaj odpowiednie ilości żywności. Tym samym zapobiegasz oprzelaniu suie zawartosci naczynia, a więc unikasz niepotrzebnego czyszczenia. Nie kładź pokrywek garnków ani patelni na strefach gotowania. Garnki ustawiaj w środku strefy gotowania. Aby przenieść garnek do innej strefy gotowania, podnieś go i postaw w tej strefie zamiast go przesuwając.

Gotowanie na gazie

- Rozmiar naczynia musi odpowiadać wielkości płomienia. Nastaw płomień gazu tak, aby nie wystawał poza dno naczynia i ustaw naczynie w środku podstawki pod nie.

Użytkowanie płyt kuchennych



- 1 Palnik normalny 18-20 cm
- 2 Palnik szybki 22-24 cm
- 3 Palnik pomocniczy 12-18 cm
- 4 Palnik normalny 18-20 cm to wykaz zalecanych średnic garnków do użytku na odnośnych palnikach.

Symbol dużego płomienia oznacza największą moc gotowania, symbol małego płomienia zaś oznacza moc najmniejszą. W pozycji wyłączonej (górnjej) gaz nie dopływa do palników.

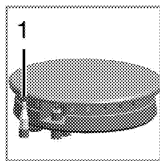
Zapalanie palników gazowych

1. Wciśnij i przytrzymaj pokrętko palnika.
2. Obróć je w lewo, do symbolu dużego płomienia.
- » Gaz zapala się od wywołanej iskry.
3. Nastaw wymaganą moc gotowania.

Wyłączanie palników gazowych

Obróć pokrętko strefy utrzymywania w ciepłe w pozycję wyłączoną (górną).

System bezpiecznego odcinania dopływu gazu (w modelach z elementem termicznym)



1. Bezpieczne odcięcie dopływu gazu.

Jako środek zapobiegania wybuchowi skutkiem zalania palników przelewającym się płynem, mechanizm zabezpieczający automatycznie zmniejsza dopływ gazu i odcina go.

- Aby zapalić gaz, wciśnij pokrętkę i obróć je w lewo.
- Aby uruchomić to zabezpieczenie, po zapaleniu gazu przytrzymaj pokrętkę wciśniętą przez kolejne 3-5 sekund.
- Jeśli gaz nie zapalił się po wciśnięciu i zwolnieniu tego pokrętła, powtórz te same czynności utrzymując pokrętkę wciśniętą przez 15 sekund.



ZAGROŻENIE:

Jeśli w ciągu 15 sekund nie dojdzie do zapłonu gazu, zwolnij przycisk.

Odczekaj co najmniej 1 minutę, zanim ponowisz próbę. Istnieje groźba akumulacji gazu i wybuchu!

6 Jak obsługiwać piekarnik

Ogólne informacje o pieczeniu ciast i mięs oraz o grillowaniu.



OSTRZEŻENIE

Można się poparzyć od gorących powierzchni! Urządzenie to nagrzewa się podczas pracy. Nie dotykaj gorących palników, wewnętrznych sekcji piekarnika, elementów grzejnych itp. Zakaz zbliżania się dzieci! Do wkładania i wyjmowania potraw z gorącego piekarnika zawsze zakładaj odporne na wysokie temperatury rękawice.



ZAGROŻENIE:

Otwierając drzwiczki piekarnika zachowaj ostrożność, bo może uolotnić się z niego para. Taka ulatniająca się para może poparzyć dłonie, twarz i oczy.

Wskazówki do pieczenia ciasta

- Użyj stosownych naczyń metalowych z powłokami nieprzylegającymi, pojemników aluminiowych, lub żaroodpornych form silikonowych.
- Rób najlepszy użytek z miejsca na półce.
- Foremkę do pieczenia stawiaj w środku półki.
- Prze załączeniem piekarnika lub grilla wybierz właściwą pozycję półki. Nie zmieniaj pozycji półki, gdy kuchenka jest gorąca.
- Zamknij drzwiczki piekarnika i nie otwieraj ich.

Wskazówki do pieczenia mięsa

- Przyprawienie całych kurcząt, indyków i dużych porcji mięsa, np. sokiem z cytryny ;in czarnym pieprzem przed pieczeniem podniesie jego wydajność.
- Pieczenia mięsa z kością trwa ok. 15 - 30 minut dłużej niż pieczenie takiego samego kawałka bez kości.
- Na upieczenie jednego centymetra grubości mięsa potrzeba ok. 4 do 5 minut.
- Po zakończeniu pieczenia pozostaw pieczeń w piekarniku na ok. 10 minut. Soki lepiej rozchodzą się po całej pieczeni i nie wyciekają przy jej krojeniu.
- Ryby należy piec na półce środkowej lub dolnej na żaroodpornym talerzu.

Wskazówki do grillowania

Mięso, ryby i drób szybciej rumienią się, gdy się je grilluje, zachowują miłą kruchość i nie wysychają. Do grillowania szczególnie nadają się płaskie kawałki, nadziane na szpikulec szaszłyki i kiełbaski, a także

warzywa o znacznej zawartości wody, takie jak pomidory i cebule.

- Rozłóż kawałki mięsa do grillowania na ruszcie drucianym lub w forence do pieczenia z rusztem drucianym w taki sposób, aby pokryta nimi powierzchnia nie wystawała poza grzałkę.
- Wsuń ten ruszt druciany lub foremkę do pieczenia z rusztem na wybrany poziom w piekarniku. Jeśli grillujesz na ruszcie drucianym, na dolną półkę wsuń foremkę do pieczenia na kąpiący tłuszcz. Aby łatwiej oczyścić to naczynie z tłuszczu wlej do niego trochę wody.



Żywność nie nadająca się do grillowania stwarza zagrożenie pożarowe. Do grillowania używaj wyłącznie żywności, która nadaje się do przyrządzania w wysokich temperaturach. Nie wkładaj żywności do grilla zbyt głęboko. Tam jest najgoręcej i tłusta żywność może się zapalić.

Jak obsługiwać piekarnik elektryczny

Wybieranie temperatury i trybu pracy



- 1 Pokrętko wyboru funkcji
- 2 Pokrętko termostatu

1. Nastaw pokrętko Function [Funkcja] na wybrany tryb pracy.
2. Nastaw pokrętko Temperature na wybraną temperaturę.

» Piekarnik nagrzewa się do nastawionej temperatury i utrzymuje ją. W trakcie nagrzewania lampka temperatury pozostaje zapalona.

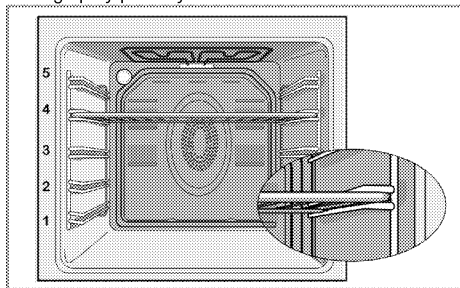
Wyłączanie piekarnika elektrycznego

Przekręć pokrętki funkcji i temperatury w górną pozycję „off” („wył”).

Pozycje szelazu (modele z rusztem drucianym)

Ważne jest, aby prawidłowo umieszczać ruszt druciany na półce drucianej. Ruszt druciany trzeba wsadzić pomiędzy półki druciane jak pokazano na rysunku.

Ruszt druciany nie może opierać się o tylną ścianę piekarnika. Aby poprawić wydajność grillowania, przesunąć ruszt druciany do przedniej sekcji stelażu i ustalić go przy pomocy drzewiczek.



Tryby pracy

Podana tutaj kolejność trybów pracy może różnić się od ich układu dla tego urządzenia.

Grzałki górna i dolna



Grzałki górna i dolna działają. Żywność nagrzewana jest równocześnie od góry i od dołu. Na przykład, nadaje się do ciasta, ciasteczek oraz ciasta i zapiekanek w foremkach do pieczenia. Piecz w jednej tylko blasze.

Grzałka dolna



Pracuje tylko grzałka dolna. Nie nadaje się do pizzy ani do rumienienia potrawy od spodu po upieczeniu.



Funkcja tej trzeba także używać do łatwego czyszczenia parą.

Grzanie dolne/górne z termoobiegiem



Działają grzałki górna i dolna plus wentylator (w ścianie tylnej). Wentylator szybko równomiernie rozprowadza gorące powietrze po całym piekarniku. Piecz w jednej tylko blasze.

Praca z wentylatorem.



Piekarnik nie jest nagrzewany. Pracuje tylko wentylator (w ścianie tylnej). Nadaje się do powolnego odtajania mrozonek ziemistych w temperaturze pokojowej lub studzenia potraw gotowanych.

Termoobieg



Gorące powietrze nagrzane grzałką tylną jest bardzo szybko równomiernie rozprowadzane w całym piekarniku przez wentylator.



Jest to przydatne do gotowania potraw na różnych poziomach półek i w większości przypadków nie potrzeba wstępnego podgrzewania. Nadaje się do pieczenia w kilku blachach na raz. Funkcja tej trzeba także używać do łatwego czyszczenia parą.

Funkcja "3D"



Działają grzałki górna i dolna i nagrzewanie z termoobiegiem (w ścianie tylnej). Potrawy pieką się równomiernie i szybko rumienią. Piecz w jednej tylko blasze.

Full grill



Działa duży grill w suficie piekarnika. Nadaje się do grillowania dużych ilości mięsa.

- Do grillowania połóż duże lub średnie porcje na odpowiednio ustawionej półce pod grzałką grilla.
- Temperaturę nastaw na poziom maksymalny.
- Obróć potrawę po upływie połowy czasu grillowania.

Grill+termoobieg



Efekt grillowania nie jest tak mocny, jak przy Full Grill.

- Do grillowania połóż małe lub średnie porcje na odpowiednio ustawionej półce pod grzałką grilla.
- Nastawianie wybranej temperatury
- Obróć potrawę po upływie połowy czasu grillowania.

Tabela czasów pieczenia



Podane w tabeli czasy są tylko orientacyjne. Mogą się różnić, zależnie od rodzaju żywności, grubości, rodzaju i preferencji kulinarnych.

Potrawa	Liczba blach		Pozycja półki	Temperatura (°C)	Czas pieczenia (ok., w min.)
Ciasto w foremce*	Jedna blacha		3	175	30 ... 45
Ciasto w foremce*	Jedna blacha		2	175	30 ... 50
Ciasta w papierze*	Jedna blacha		3	160 ... 170	25 ... 30
Ciasto biszkoptowe*	Jedna blacha		3	180 ... 200	10 ... 20
Ciasteczka*	Jedna blacha		3	160 ... 170	20 ... 30
Ciasto*	Jedna blacha		3	200	20 ... 30
Ciasto zdobne*	Jedna blacha		3	190	20 ... 35
Ciasto na zaczynie*	Jedna blacha		3	190	20 ... 40
Lazania*	Jedna blacha		2	180	25 ... 45
Pizza*	Jedna blacha		1	200	10 ... 20
Stek wołowy/ pieczeń wołowa	Jedna blacha		2	25 min. 220, następnie 180 ... 190	80 ... 100
Udziec jagnięcy (zapiekanka)	Jedna blacha		2	25 min. 220, następnie 190	70 ... 90
Pieczone kurczęta	Jedna blacha		2	15 min. 250/max, następnie 190	55 ... 65
	Jedna blacha		2	15 min. 220, następnie 180 ... 190	50 ... 65
Indyk (w plastrach)	Jedna blacha		3	25 min. 220, następnie 190	70 ... 120
	Jedna blacha		2	25 min. 220, następnie 180 ... 190	60 ... 100
Ryby	Jedna blacha		3	200	20 ... 30
	Jedna blacha		3	200	20 ... 25

Przy pieczeniu równocześnie w dwóch blachach, głębszą blachę stawia się na półce górnej, a blachę płytszą na dolnej.

* Sugeruje się, aby wstępne nagrzewanie stosować przy wszystkich potrawach.

(**) Przy pieczeniu, które wymaga wstępnego podgrzania, podgrzewaj na początku pieczenia, aż zgaśnie lampka termostatu.

Wskazówki do pieczenia ciasta

- Jeśli ciasto jest zbyt suche, zwiększ temperaturę o ok. 10 i skróć czas pieczenia.
- Jeśli ciasto jest wilgotne, użyj mniej płynu lub obniż temperaturę o 10°C.
- Jeśli ciasto jest zbyt ciemne z góry, umieść je na dolnej półce, obniż temperaturę i przedłuż czas pieczenia.
- Jeśli jest dobrze wypieczone wewnątrz, ale klei się na zewnątrz, użyj mniej płynu, obniż temperaturę i przedłuż czas pieczenia.

Wskazówki przy pieczeniu ciasta

- Jeśli ciasto jest zbyt suche, zwiększ temperaturę o ok. 10 i skróć czas pieczenia. Nawilż warstwy ciasta sosem złożonym z mleka, oleju, jajka i jogurtu.
- Jeśli pieczenie ciasta trwa zbyt długo, sprawdź czy grubość przygotowanego ciasta nie przekracza głębokości blachy.

Pieczenie ciast i mięs



Pierwsza półka w piekarniku to półka dolna.

- Jeśli góra ciasta brązowieje, ale dolna część nie jest upieczona, sprawdź, czy na dnie ciasta nie ma zbyt wiele użytego dom pieczenia sosu. Aby ciasto brązowało równomiernie postaraj się rozprzecznić sos równo pomiędzy warstwami i górą ciasta.



Piecz ciasto zgodnie z trybem i temperaturą podanymi w tabeli gotowania. Jeśli dół nadal nie dość się zabarził, następnym razem umieść ciasto na dolnej półce.

Wskazówki przy gotowaniu jarzyn

- Jeśli potrawa warzywna puszcza soki i zbyt szybko wysycha, gotuj ją w garnku z pokrywką zamiast blachy. Zamknięte naczynia zatrzymują sok z potrawy.
- Jeśli potrawa warzywna nie udusiła się, najpierw ugotuj te warzywa lub przegotuj je jak potrawę z puszką i wsadź do piekarnika.

Jak obsługiwać grill



OSTRZEŻENIE

Zamykaj drzwiczki na czas grillowania.
Można się poparzyć od gorących powierzchni!

Załączanie grilla

1. Obróć pokrętkę Function [Funkcja] wybranego do symbolu grilla.
2. Następnie nastaw wybraną temperaturę grillowania.
3. W razie potrzeby nagrzewaj grill przez ok. 5 minut.
» Zapali się lampka temperatury.

Wyłączanie grilla

1. Obróć pokrętkę Function [Funkcja] do górnej pozycji "Off" ("wyl.").



Żywność nie nadająca się do grillowania stwarza zagrożenie pożarowe. Do grillowania używaj wyłącznie żywności, która nadaje się do przyrządzania w wysokich temperaturach.

Nie wkładaj żywności do grilla zbyt głęboko. Tam jest najgoręcej i tłusta żywność może się zapalić.

Tabela czasów pieczenia przy grillowaniu

Grillowanie na grillu elektrycznym

Potrawa	Poziom	Czas grillowania
Ryby	4...5	20...25 min. [#]
Szniczki z kurczaka	4...5	25...35 min.
Kotlety jagnięce	4...5	20...25 min.
Pieczeń wołowa	4...5	25...30 min. [#]
Kotlety cielęce	4...5	25...30 min. [#]
Opiekanie chleba	4	1...2 min.

[#] zależnie od grubości

7 Czyszczenie i konserwacja

Informacje ogólne

Okres użytkowania tego wyrobu przedłuży się, a problemy stana się rzadsze, jeśli wyrób ten czyści się w regularnych odstępach czasu.



ZAGROŻENIE:

Przed konserwacją i czyszczeniem, odłącz piekarnik od sieci.

Grozi to porażeniem elektrycznym!



ZAGROŻENIE:

Przed czyszczeniem piekarnika odczekaj, aż ostygnie.

Można się poparzyć od gorących powierzchni!

- Po każdym użyciu dokładnie oczyść ten wyrób. Dzięki temu łatwiej będzie usuwać pozostałości pieczenia, unikając tym samym ich zapalenia się na następnym użyciu piekarnika.
- Do jego czyszczenia nie potrzeba żadnych specjalnych środków czyszczących. Wyrób ten czyści się miękką ściereczką lub gąbką i ciepłą wodą z mydłem w płynie, i wyciera suchą ściereczką.
- Pamiętaj, aby zawsze starannie wycierać nadmiar płynu po czyszczeniu i natychmiast wycierać wszystko, co się rozleje.
- Do czyszczenia powierzchni i klamki ze stali nierdzewnej nie używaj środków czyszczących zawierających kwas lub chlorek. Części te wyciera się do czysta miękką ściereczką z detergentem w płynie (nie w proszku), najlepiej ruchami w tym samym kierunku.
- **(Ta funkcja jest dostępna opcjonalnie. Może ona nie wchodzić w zakres wyposażenia zakupionego produktu).**
Do czyszczenia szklanej pokrywy nie używaj skroObaczek do metalu ani szorstkich środków czyszczących. Można tak uszkodzić powierzchnię szklaną.



Pewne detergenty lub środki czyszczące mogą uszkodzić powierzchnię.

Nie używaj agresywnych detergentów, proszku/mleczka do czyszczenia, ani żadnych ostrych przedmiotów.



Do czyszczenia tego urządzenia nie używaj urządzeń parowych, ponieważ może to spowodować porażenie prądem.

Oczyszczenie płyty

Płyty gazowe

1. Wyjmij i oczyść podstawki pod garnki i kołpaki palników.
2. Oczyść płytę.
3. Załóż kołpaki na palniki i upewnij się, że leżą na nich jak należy.
4. Przy instalowaniu górnych grilli zwróć uwagę, na takie umieszczenie podstawek, aby palniki były w ich środku.

Czyszczenie panelu sterowania

Panel sterowania i pokręta czyści się wilgotną ściereczką i wyciera do sucha.



Nie zdejmuj przycisków/pokręteł do czyszczenia panelu sterowania.

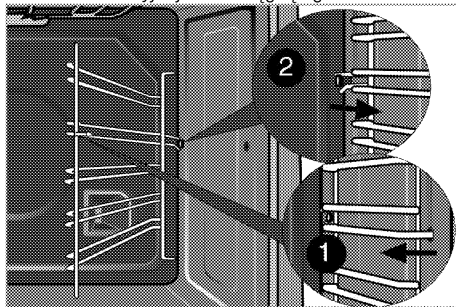
Możesz uszkodzić panel sterowania!

Czyszczenie piekarnika

Aby oczyścić ścianę boczną

(Ta funkcja jest dostępna opcjonalnie. Może ona nie wchodzić w zakres wyposażenia zakupionego produktu).

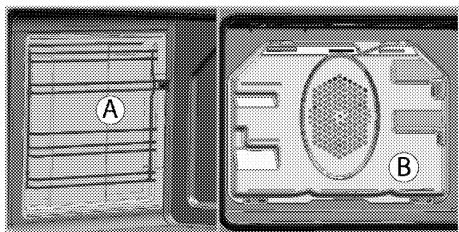
1. Wyjmij przednią sekcję stelaża bocznego wyciągając go w przeciwnym kierunku do ściany bocznej.
2. Całkiem wyjmij stelaż ciągnąc go do siebie.



Ściany katalityczne

(Ta funkcja jest dostępna opcjonalnie. Może ona nie wchodzić w zakres wyposażenia zakupionego produktu).

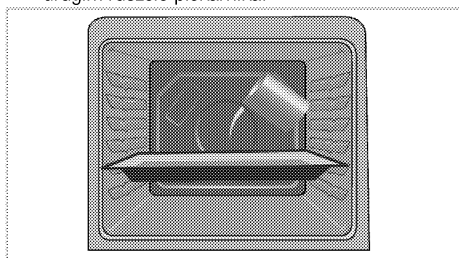
Wewnętrzna strona bocznych ścian (A) i tylnej ściany (B) urządzenia może być pokryta emalią katalityczną. Ściany pokryte emalią katalityczną mają jasny, matowy kolor i porowatą powierzchnię. Nie należy ich czyścić. Porowata powierzchnia takich ścian czyści się sama, pochłaniając i przekształcając odpryski tłuszczu w parę i dwutlenek węgla.



Łatwe czyszczenie parą

Zapewnia łatwe czyszczenie, ponieważ brud (który nie czekał zbyt długo) mięknie pod wpływem wytwarzanej wewnątrz piekarnika pary, a krople wody skraplają się na jego wewnętrznych powierzchniach.

1. Wyjmij z piekarnika wszystkie akcesoria.
2. Wlać 500 ml do tacy piekarnika i umieścić tacę na drugim ruszcie piekarnika.



3. Nastaw temperaturę na 100°C i uruchom piekarnik na 25 minut w trybie łatwe czyszczenie parą.
4. Otwórz drzwiczki i wilgotną gąbką lub ściereczką wytrzyj wewnętrzne powierzchnie piekarnika.
5. Piekarnik czyści się z uporczywego zabrudzenia miękką ściereczką lub gąbką i ciepłą wodą z mydłem w płynie, i wyciera suchą ściereczką.

Czyszczenie drzwiczek piekarnika

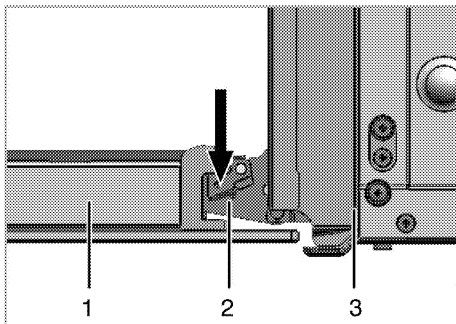
Drzwiczki piekarnika czyści się miękką ściereczką lub gąbką i ciepłą wodą z mydłem w płynie, i wyciera suchą ściereczką.



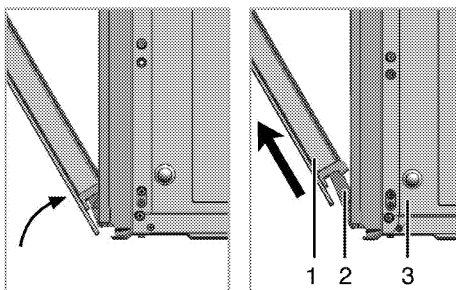
Do czyszczenia drzwiczek piekarnika nie używaj żadnych szorstkich środków czyszczących ani skrobaczek metalowych. Mogą porysować powierzchnię i zniszczyć szybę.

Przenoszenie drzwiczek piekarnika.

1. Otwórz drzwiczki przednie (1).
2. Otwórz zacisk w obudowie zawiasu (2) po prawej i lewej stronach drzwiczek przednich przyciskając je ku dołowi, jak pokazano na rysunku.



- 1 Drzwiczki przednie
- 2 Zawias
- 3 Piekarnik



3. Przesuń drzwiczki przednie w pół drogi.
4. Zdejmij drzwiczki przednie ciągnąc je ku górze aby uwolnić je z prawych i lewych zawiasów.



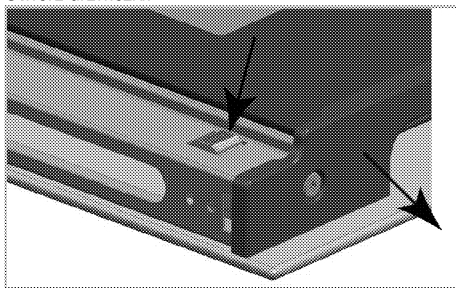
Kroki procesu wyjmowania drzwiczek powtarza się w odwrotnej kolejności przy ich zakładaniu. Przy zakładaniu drzwi z powrotem nie zapomnij zamknąć zacisk w obudowie zawiasu.

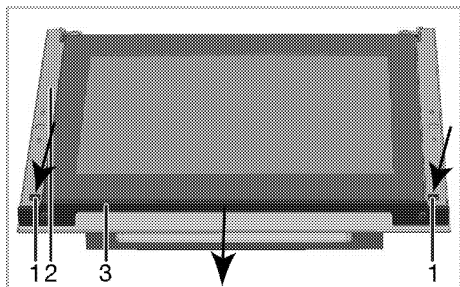
Wyjmowanie szyby w drzwiczkach

(Ta funkcja jest dostępna opcjonalnie. Może ona nie wchodzić w zakres wyposażenia zakupionego produktu).

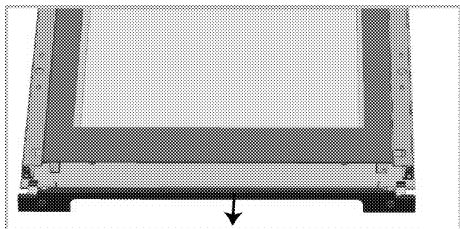
Szklaną szybę z drzwiczek piekarnika można wyjąć do czyszczenia.

Otwórz drzwiczki.

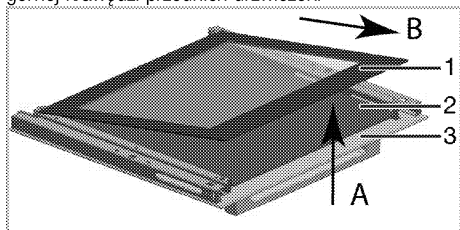




- 1 Zaczep
- 2 Rama
- 3 Profil



Przyciśnij zaczepy (1) i jednocześnie pociągnij profil (3) do siebie, tak jak pokazano na powyższych ilustracjach. W ten sposób wyciągniesz profil zamocowany do górnej krawędzi przednich drzwiczek.

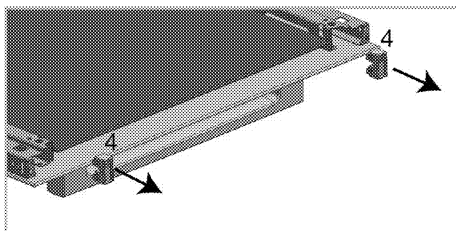


- 1 Szyba wewnętrzna
- 2 Szyba wewnętrzna*
- 3 Szyba zewnętrzna

* (Może ona nie wchodzić w zakres wyposażenia zakupionego produktu).

Podnieś lekko szybę wewnętrzną (1) w kierunku **A** i pociągnij ją w kierunku **B**, tak jak pokazano na ilustracji.

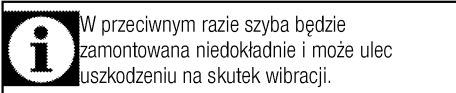
Jeśli urządzenie jest wyposażone w szybę wewnętrzną: pociągnij złącza uchwytu szyby pośrodku, aby je wyciągnąć, tak jak pokazano na ilustracji.



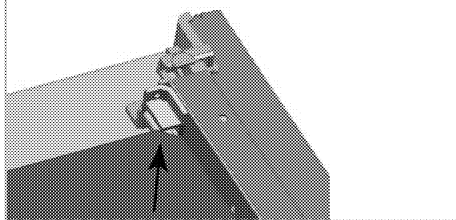
- 4 Złącze uchwytu szyby*

* (Może ona nie wchodzić w zakres wyposażenia zakupionego produktu).

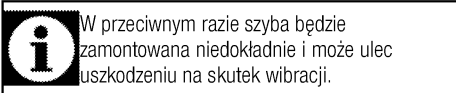
Powtórz tę czynność, aby wyjąć szybę wewnętrzną (2). Pierwszy krok do przegrupowania drzwiczek to ponowne założenie szyby wewnętrznej (2). Umieść szybę w plastikowej szczelinie, tak jak pokazano na ilustracji.



W przeciwnym razie szyba będzie zamontowana niedokładnie i może ulec uszkodzeniu na skutek wibracji.



Zakładając szybę wewnętrzną (1), upewnij się, że strona z nadrukiem zwrócona jest ku szybie drugiej. Dolne narożniki szyby wewnętrznej muszą być osadzone w plastikowych szczelinach.



W przeciwnym razie szyba będzie zamontowana niedokładnie i może ulec uszkodzeniu na skutek wibracji.

Pamiętaj o umieszczeniu złączy uchwytu szyby w odpowiednich szczelinach.

Na koniec przyciśnij zaczepy profilu, aby ponownie osadzić je w szczelinach.

Wymiana lampki w piekarniku



ZAGROŻENIE:

Aby uniknąć zagrożenia porażeniem elektrycznym, zanim wymienisz lampkę upewnij się, że piekarnik jest odłączony od sieci zasilającej i że ostygł. Można się poparzyć od gorących powierzchni!



Lampka w piekarniku to specjalna żarówka odporna na temperatury do 300 °C. Patrz *Dane techniczne, strona 13*, w których podano szczegóły. Lampki do piekarnika można nabyć u autoryzowanego przedstawiciela serwisu.



Lampka może być umieszczona gdzie indziej niż na rysunku.



Żarówka używana w tym urządzeniu nie jest odpowiednia do oświetlenia pomieszczeń domowych. Zgodnie z przeznaczeniem żarówka ta służy do oświetlenia żywności.

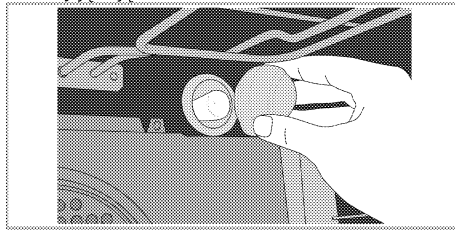


Żarówki używane w tym urządzeniu muszą wytrzymać ekstremalne warunki fizyczne, jak temperatury powyżej 50°C.

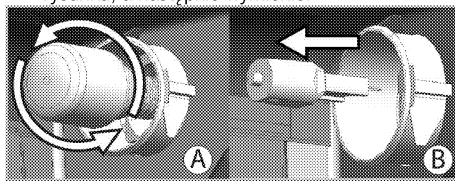
Jeśli w piekarniku jest lampka okrągła:

1. Odłącz piekarnik od sieci zasilającej.

2. Odkręć szklaną pokrywę, przekręcając ją w lewo, aby ją zdjąć.



3. Jeżeli lampka w piekarniku to lampka typu (A) pokazana na poniższym rysunku, należy ją wykręcić zgodnie z oznaczeniem na rysunku, a następnie wymienić. Jeśli typ lampki to (B), należy ją pociągnąć i wyjąć w sposób pokazany na rysunku, a następnie wymienić.



4. Załóż szklaną pokrywę.

8 Rozwiązywanie problemów

W czasie pracy piekarnik wydziela parę.

- Ulatnianie się pary w trakcie pracy jest normalnym zjawiskiem. >>> *To nie jest awaria.*

Przy nagrzewaniu i studzeniu urządzenia słychać metaliczne odgłosy.

- Podgrzewane części metalowe mogą się rozszerzać i wydawać dźwięki. >>> *To nie jest awaria.*

Produkt nie działa.

- Bezpiecznik uszkodzony lub zadziałał. >>> *Sprawdź bezpieczniki w skrzynce bezpiecznikowej. W razie potrzeby wymień je lub załącz.*
- Piekarnik nie jest przyłączony do (ziemionego) gniazdka. >>> *Sprawdź kontakt wtyczki.*

Nie świeci lampka w piekarniku.

- Lampka w piekarniku jest uszkodzona. >>> *Wymień lampkę w piekarniku.*
- Brak zasilania. >>> *Sprawdź, czy jest prąd. Sprawdź bezpiecznik w skrzynce bezpiecznikowej. W razie potrzeby wymień je lub załącz.*

Pieczek nie grzeje.

- Pokrętki funkcji i/lub temperatury nie są ustawione >>> *Ustaw funkcję i temperaturę pokrętkami/klawiszami funkcji i/lub temperatury.*
- Brak zasilania. >>> *Sprawdź, czy jest prąd. Sprawdź bezpiecznik w skrzynce bezpiecznikowej. W razie potrzeby wymień je lub załącz.*

Nie zapala się iskra zapłonowa.

- Nie ma prądu. >>> *Sprawdź bezpiecznik w skrzynce bezpiecznikowej.*

Nie ma gazu.

- Zamknięty jest kurek zasilania z sieci gazowej. >>> *Odkręć kurek dopływu gazu.*
- Przewód doprowadzania gazu jest zagięty. >>> *Prawidłowo zamontuj przewód doprowadzania gazu.*

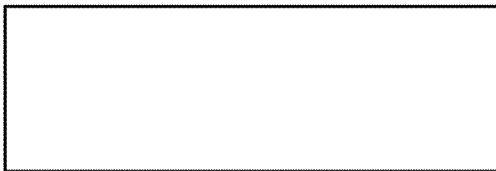
Palniki palą się nierówno albo wcale.

- Palniki są brudne. >>> *Oczyszcz elementy palników.*
- Palniki są mokre. >>> *Osusz elementy palników.*
- Kołpak palnika nie trzyma się mocno. >>> *Prawidłowo załóż elementy palnika.*
- Zamknięty jest kurek zasilania z sieci gazowej. >>> *Odkręć kurek dopływu gazu.*
- Butla z gazem jest pusta (w przypadku zasilania gazem LPG) >>> *Wymień butlę z gazem.*



Jeśli pomimo postępowania według instrukcji z tego rozdziału problem pozostaje, skonsultuj się z autoryzowanym agentem serwisowym lub sprzedawcą piekarnika. Nie próbuj samemu naprawiać zepsutego piekarnika.

**Beko S.A. ul. Puławska 366,
02-819 Warszawa, www.beko.pl
Infolinia 22 250 14 14**



Podpis i pieczęć instalatora (z numerem uprawnień) w przypadku montażu urządzeń gazowych
lub płyt i piekarników elektrycznych

**Aby otrzymać więcej informacji dotyczących serwisu np. gdzie kupić części zamienne lub
akcesoria należy odwiedzić stronę internetową www.beko.pl i wybrać zakładkę serwis.**

WARUNKI GWARANCJI BEKO S.A.

BEKO spółka akcyjna z siedzibą w Warszawie (02-819), przy ulicy Puławskiej 366, wpisana do rejestru przedsiębiorców prowadzonego przez Sąd Rejonowy dla m.st. Warszawy w Warszawie, XIII Wydział Gospodarczy Krajowego Rejestru Sądowego, pod numerem: 0000078147 (dalej: „BEKO”) udziela gwarancji jakości (dalej: „Gwarancja”) na wprowadzone przez BEKO do obrotu na terenie Polski produkty marki BEKO (dalej: „Urządzenia”) osobom, które nabyły te produkty („Użytkownik”) na następujących warunkach:

I. ZAKRES OCHRONY.

1. BEKO gwarantuje, że Urządzenie zakupione przez Użytkownika jest wolne od wad produkcyjnych lub materiałowych, powstałych z przyczyn tkwiących w tym Urządzeniu (dalej: „Wada”), które ujawnią się w ciągu terminu określonego w części II. niniejszych Warunków Gwarancji (dalej: „Okres Gwarancyjny”).
2. W razie ujawnienia się Wady Produktu w trakcie Okresu Gwarancyjnego, zostanie ona usunięta na koszt BEKO w sposób uzależniony od właściwości wady, na zasadach i w zakresie określonym w niniejszych Warunkach Gwarancji.
3. BEKO zobowiązuje się do usunięcia Wady poprzez dokonanie nieodpłatnej naprawy lub wymiany Urządzenia, bądź też reklamacja zgłoszona na podstawie niniejszych Warunków Gwarancji zostanie rozpoznana w inny sposób uzgodniony przez BEKO i Użytkownika.
4. Udzielona gwarancja jest ważna na terytorium Rzeczypospolitej Polskiej.

II. CZAS TRWANIA GWARANCJI.

1. Okres Gwarancyjny wynosi 24 miesiące licząc od daty zakupu Urządzenia przez pierwszego Użytkownika, z zastrzeżeniem wynikającym z punktu 2 poniżej.
2. Udzielona gwarancja nie obejmuje Urządzeń zakupionych później niż 36 miesięcy licząc od daty produkcji Urządzenia zgodnie z numerem seryjnym znajdującym się na tabliczce znamionowej Urządzenia.

III. PROCEDURA ZGŁOSZENIA REKLAMACYJNEGO.

1. Wady Urządzenia ujawnione w Okresie Gwarancyjnym będą usuwane pod warunkiem przedstawienia przez Użytkownika dowodu zakupu Urządzenia zawierającego oznaczenia niezbędne do jego identyfikacji (model, datę zakupu).
2. W przypadku zgłoszenia wad Urządzeń, które wymagają fachowej instalacji do sieci elektrycznej lub gazowej (t.j.: kuchnie, płyty grzewcze i piekarniki elektryczne), realizacja uprawnień z Gwarancji uzależniona jest od przedstawienia przez Użytkownika dowodu, na którym widnieją dane instalatora oraz jego numer uprawnień elektrycznych lub gazowych.
3. Uprawnienia wynikające z niniejszych Warunków Gwarancji mogą być zrealizowane przez Użytkownika wyłącznie w Autoryzowanych Punktach Serwisowych BEKO (dalej: „Serwis”) po uprzednim dokonaniu zgłoszenia na Infolinii BEKO pod numerem telefonu: 22 50 14 14. Lista wszystkich lokalizacji Serwisu dostępna jest na stronie internetowej BEKO www.beko.pl

4. Urządzenie do zabudowy meblowej powinno być udostępnione do naprawy przez Użytkownika lub Sprzedawcę w sposób umożliwiający przystąpienie do jego naprawy przez pracowników Serwisu Beko.

5. Wady Urządzenia będą usunięte w terminie 21 dni od daty zgłoszenia Wady na Infolinii BEKO.

6. Jeżeli część zamienna wymieniana w ramach uprawnień wynikających z niniejszych Warunków Gwarancji Urządzenia jest sprowadzana z zagranicy, termin naprawy, o którym mowa w punkcie 5 powyżej, może ulec wydłużeniu jednak, nie więcej niż do 30 dni licząc odpowiednio od daty zgłoszenia Wady na Infolinii BEKO. BEKO zastrzega, że w wyjątkowych przypadkach, gdy Wada nie wpływa na funkcjonowanie Urządzenia, dopuszczalne jest przekroczenie terminu 30 dni opisanego w zdaniu poprzedzającym, jednak nie więcej niż o 30 kolejnych dni. Informacje o spodziewanych terminach napraw dostępne są na Infolinii BEKO pod numerem 22 250 14 14.

7. Po usunięciu Wady, Urządzenie zostanie dostarczone Użytkownikowi na koszt BEKO.

IV. WYŁĄCZENIA.

1. Warunkiem skorzystania z niniejszych Warunków Gwarancji jest: a. użytkowanie Urządzenia zgodnie z Instrukcją Obsługi dołączoną do tego Urządzenia i jego przeznaczeniem, jak również odpowiednia konserwacja Urządzenia; b. użytkowanie w warunkach indywidualnego gospodarstwa domowego. c. stosowanie osprzętu zalecanego przez producenta; d. brak ingerencji w Urządzenie przez osoby do tego nieupoważnione; e. brak ingerencji w tabliczkę znamionową z numerem seryjnym Urządzenia.

2. Udzielona przez Beko Gwarancja nie obejmuje:

a. wad powstałych z przyczyn innych niż tkwiące w Urządzeniu;

b. czynności przewidzianych w Instrukcji Obsługi, do wykonania których zobowiązany jest Użytkownik Urządzenia we własnym zakresie i na swój koszt, w tym: instruktażu dotyczącego obsługi Urządzenia, instalacji oraz regulacji urządzenia gazowego (w tym ustawienia płomienia oszczędnościowego palników, wymiana dysz itp.);

c. usterek powstałych w wyniku nieprawidłowego lub niewłaściwego użytkowania, niedbalstwa, przypadkowego uszkodzenia Urządzenia, nieodpowiedniego napięcia prądu lub dokonania jakichkolwiek zmian, które mają wpływ na niewłaściwe działanie Urządzenia, i które naprawiane były przez osoby nieupoważnione, używania instalacji niezgodnych z odpowiednimi Polskimi Normami i innych niż wymienione w Instrukcji Obsługi Urządzenia;

d. uszkodzeń mechanicznych, termicznych, chemicznych, korozji, innych uszkodzeń spowodowanych działaniem lub zaniedbaniem Użytkownika lub powstałych na skutek działania sił zewnętrznych (do których zalicza się w szczególności wyładowania atmosferyczne, skoki napięcia, wszystkiego rodzaju awarie domowej instalacji wodno-kanalizacyjnej, itp.), a także powstałych na skutek przedostania się zanieczyszczeń lub ciał obcych do Urządzenia.

e. elementów ze szkła oraz plastiku;

f. odbarwień Urządzenia lub poszczególnych jego części;

g. usterek powstałych w wyniku niewłaściwego montażu Urządzenia w zabudowie meblowej, niezgodnego z Instrukcją Obsługi Urządzenia lub innymi wytycznymi dotyczącymi montażu sprzętu w zabudowie meblowej określonymi przez Producenta;

h. usterek powstałych na skutek przechowywania i użytkowania Urządzenia w warunkach, które są niezgodne z normalnymi warunkami domowymi określonymi wymaganiami powszechnie obowiązujących przepisów prawa i odpowiednich Polskich Norm.

V. POZOSTAŁE POSTANOWIENIA. Niniejsze warunki gwarancji mają zastosowanie do Urządzeń zakupionych od dnia 25.12.2014 r. Gwarant oświadcza, że niniejsza Gwarancja jest udzielana Użytkownikowi dodatkowo i nie wyłącza, nie ogranicza ani nie zawiesza uprawnień Użytkownika wynikających z przepisów o rękojmi za wady rzeczy sprzedanej na podstawie Kodeksu cywilnego.

guarantee.rev.AF

