



DARK BASE 700

OUTSTANDING FLEXIBILITY AND SILENCE

White Edition

IDEAL APPLICATIONS

High-end workstations and desktop PCs
 High-resolution gaming and multimedia systems
 Extremely overclocked systems
 Super silent water-cooled PCs

HIGHLIGHTS

Extremely versatile thanks to modular construction
 Two be quiet! Silent Wings 3 PWM fans
 Ready for water cooling radiators up to 360mm
 4-step dual-rail fan controller
 USB 3.1 Gen 2 Type C available

Outstanding Flexibility and Silence

Only available for a brief period: The be quiet! Dark Base 700 White Edition, limited to 3,000 units. Offering unrivaled flexibility with impeccable cooling and silence features.

Highlights »

- Motherboard tray and HDD slots with enhanced possibilities for individual requirements
- Two virtually inaudible Silent Wings 3 140mm PWM fans with funnel-shaped air inlets for high air pressure
- Effective airflow system with noise-dampening vents
- 4-step dual-rail fan controller is switchable between Silence and Performance Mode
- Ready for radiators up to 360mm on top, front and back
- Install fans and radiators on a provided bracket before installing it as a complete unit
- Completely sound insulated with decoupled motherboard, PSU and drives
- PSU shroud, ingenious cable routing and HDD slot covers for a neat interior
- Fully windowed side panel made of tempered glass
- Exterior LEDs with six switchable colors and motherboard control option
- 3-year manufacturer's warranty
- Product conception, design and quality control in Germany

Dark Base 700 White Edition »

Numerous customization options for component and cable layout, illumination and cooling make every PC system one of a kind.

+ NOISE INSULATION

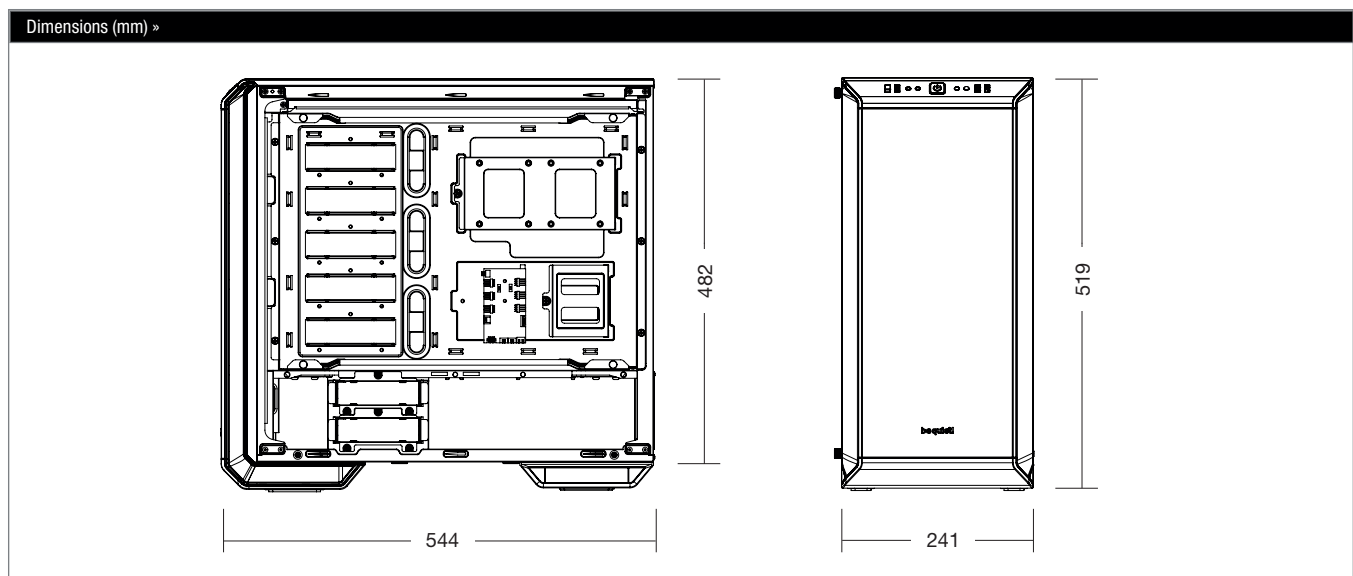
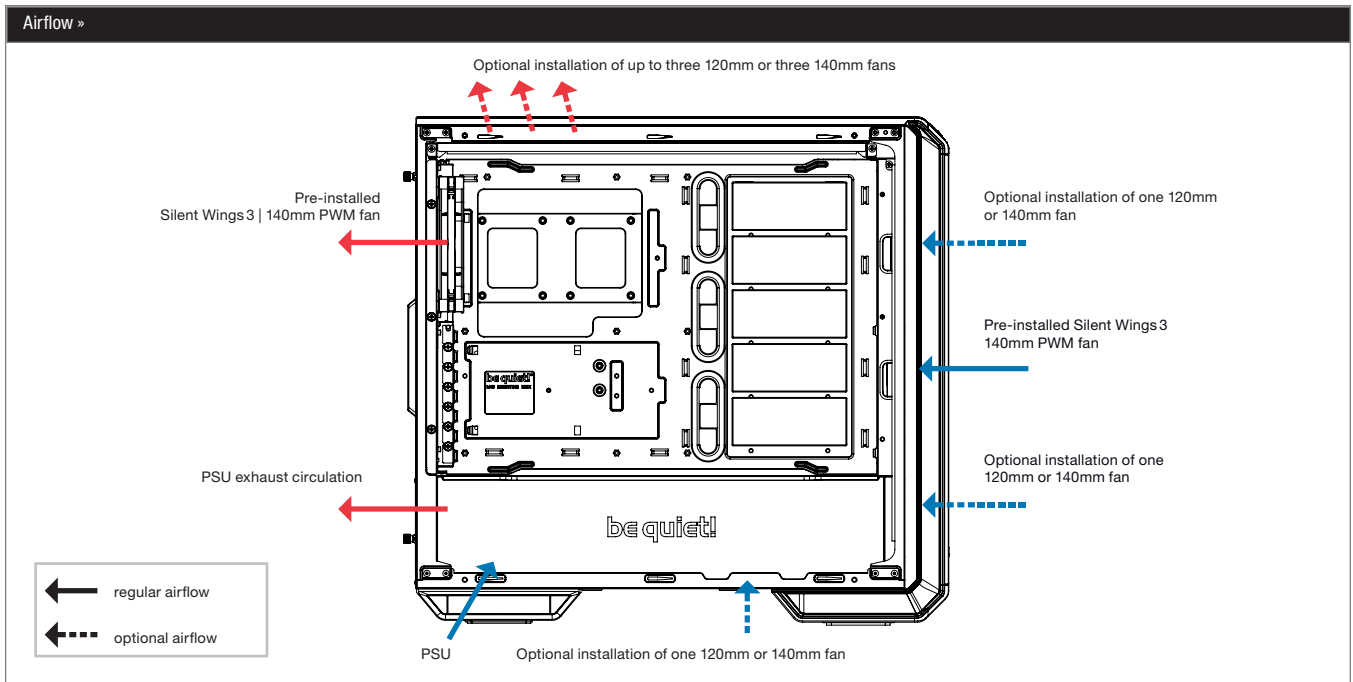
+ AIRFLOW CONTROL

+ SILENT WINGS

+ RGB LEDs

DARK BASE 700

White Edition



DARK BASE 700

White Edition

General Data Case »	
Motherboard compatibility	E-ATX (30.5 x 27.5cm), ATX, M-ATX, Mini-ITX
Form factor PSU	ATX PS/2
Case size (L x W x H in mm)	544 x 241 x 519
Material	0.8 - 1mm steel, ABS plastic, 1.2mm aluminium, 4mm tempered glass
Weight incl. package / without package (kg)	14.37 / 13.25
I/O Panel	2x USB 3.0, 1x USB 3.1 Gen 2 Type C, HD Audio (mic + headphone jacks)
Expansion slots (pcs.)	7 + 2
RGB LED illumination	Front Panel (white, red, green, blue, orange, purple)
LEDs synchronizable with RGB controller/motherboard	✓
Drive Bay Capacity »	
3.5	7
2.5	17
Cooling System »	
Pre-installed Silent Wings3 PWM fans (mm/rpm)	Front: 1x 140 / 1,600 Rear: 1x 140 / 1,600
Optional fans (mm)	Top: 3x 140 / 3x 120 Front: 2x 140/120 Bottom: 1x 140/120 PSU shroud: 1x 140/120
Optional liquid cooling system (radiator in mm)	Top: 120, 240, 360 Front: 120, 140, 240, 280, 360 Rear: 120, 140
Cooling solutions	Air channels (front, top, rear, bottom) 4-step dual-rail fan controller (6x 4-pin)
Maximum Dimensions (mm) »	
CPU cooler	180
PSU (without bottom fan)	285
Graphics card (standard)	286
Graphics card (w/o HDD slots)	430
Insulation and Damping »	
Sound insulation mats (top, front, side)	✓
Anti-vibration decoupled HDD / PSU / MB-tray	✓

Logistics Data »		
Dark Base 700	Art. no	EAN code
White Edition	BGW33	4260052187258

Contact »	
be quiet! Headquarters	Service hotline: +49 40 7367 686 44 (mon. - fri., 9am to 5.30pm CET)
Listan GmbH Biedenkamp 3A 21509 Glinde Germany	e-mail: service@bequiet.com Visit the contact section on bequiet.com for the right regional service information.

Certifications »	