



# eW Cove MX Powercore

## BCX416 10xLED-HB/3500 100-277V L1220 WB

3500 K - 125° x 120° - Wide beam - 1220 mm - White

With its superior light output, wide beam angle, and range of fixed colors and color temperatures, eW Cove MX Powercore can be used for accent lighting and indirect general illumination, as well as the full range of wall and ceiling cove applications. This fixture meets or exceeds the performance of comparable linear fluorescent strip cove lights while lowering installation, energy, and maintenance costs. eW Cove MX Powercore offers environmentally conscious buyers a green, energy-efficient lighting solution without sacrificing quality or quantity of light. Integrated Powercore technology ensures rapid, efficient and accurate control of power output to the fixture directly from line voltage, eliminating the need for external power supplies. Use of standard wiring dramatically simplifies installation and helps lower total system cost.

### Product data

General Information		Ready-to-install	
Number of light sources	10 [ 10 pcs]	Type description	No
Lamp family code	LED-HB [ LED High Brightness]	CE mark	CE mark
Light source colour	Neutral white	UL mark	UL and cUL mark
Light source replaceable	No	CCC mark	CCC mark
Driver/power unit/transformer	PSR [ Power supply unit regulating]	Operating and Electrical	
Driver included	Yes	Input voltage	100 to 277 V
Optic type	WB [ Wide beam]	Input frequency	50 to 60 Hz
Optical cover/lens type	PC [ Polycarbonate bowl/cover]		
Luminaire light beam spread	125° x 120°		
Protection class IEC	Safety class I (I)		

## eW Cove MX Powercore

### Controls and Dimming

Dimmable	Yes
----------	-----

### Mechanical and Housing

Housing material	Aluminum die-cast
Optic material	Polycarbonate
Optical cover/lens material	Polycarbonate
Length	1220 mm

### Approval and Application

Ingress protection code	IP20 [ Finger-protected]
-------------------------	--------------------------

### Initial Performance (IEC Compliant)

Initial luminous flux	2721 lm
Initial LED luminaire efficacy	48.4 lm/W
Init. Corr. colour temperature	3500 K
Init. colour rendering index	84
Initial input power	50 W

### Over Time Performance (IEC Compliant)

Lumen Maintenance 50% at 25°C Calculated	100000
Lumen Maintenance 50% at 25°C Reported	65000
Lumen Maintenance 50% at 50°C Calculated	100000
Lumen Maintenance 50% at 50°C Reported	65000

Lumen Maintenance 70% at 25°C Calculated	100000
--	--------

Lumen Maintenance 70% at 25°C Reported	65000
--	-------

Lumen Maintenance 70% at 50°C Calculated	100000
--	--------

Lumen Maintenance 70% at 50°C Reported	65000
--	-------

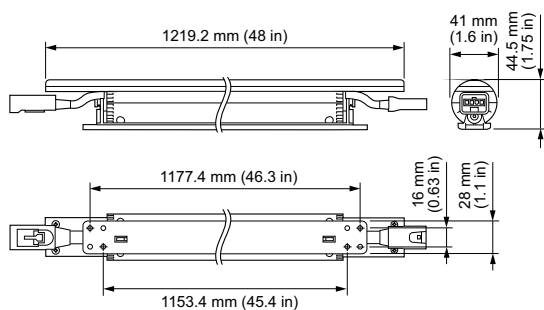
### Application Conditions

Ambient temperature range	-20 to +50 °C
Maximum dimming level	10% (depends on dimmer, ELV)
Suitable for random switching	Yes (relates to presence/ movement detection and daylight harvesting)

### Product Data

Full product code	871829137859499
Order product name	BCX416 10xLED-HB/3500 100-277V L1220 WB
EAN/UPC – product	8718291378594
Order code	37859499
Numerator – quantity per pack	1
Numerator – packs per outer box	6
Material no. (12NC)	910503702682
Net weight (piece)	1.800 kg

## Dimensional drawing



Cove

