



FOR LARGE
PORTRAIT
SCREENS

BTF842

SYSTEM X™

UNIVERSAL DUAL STACK FLAT SCREEN FLOOR STAND - 2.4M

The BTF842 is a premium mounting solution designed to mount two screens in portrait orientation, one above the other. A heavy duty steel base eliminates the need to bolt to the floor and adjustable levelling feet are included to accommodate uneven surfaces. The high-end aesthetic with an anodised aluminium finish and integrated cable management ensures finished installations are neat and tidy, making the BTF842 ideal for use in professional or commercial applications.

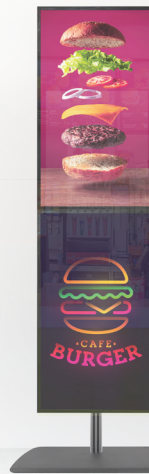
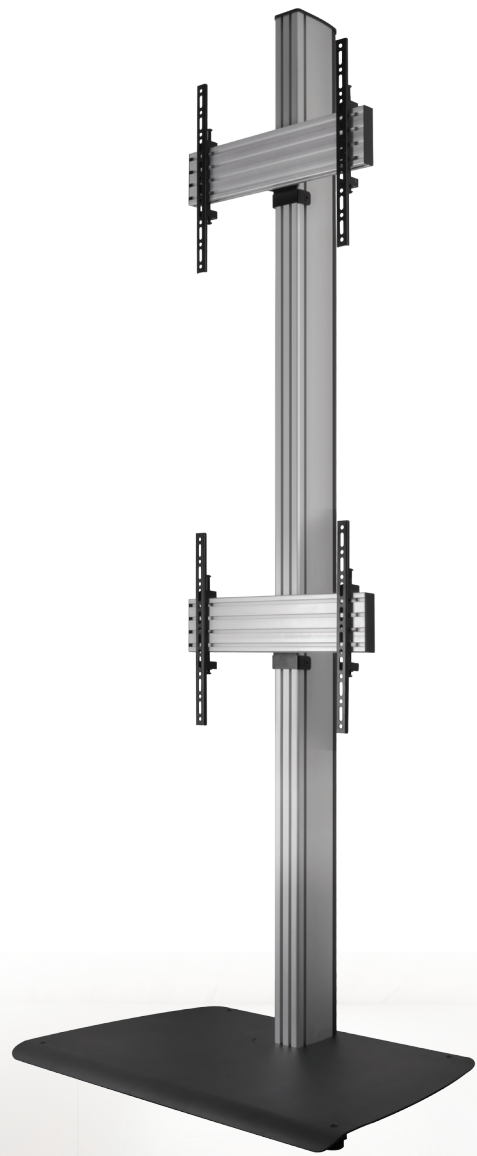
SPECIFICATION

| | |
|---------------------------------------------------|-----------------------------|
| Recommended screen size | 47" to 65" |
| Max load | 35kg (per screen) |
| VESA® & non-VESA fixings (as standard) | up to 430 x 400mm* |
| VESA® & non-VESA fixings (with included adaptors) | up to 600 x 400mm* |
| Dimensions | W: 890mm H: 2441mm D: 604mm |
| Colour (column & rails) | Black or Silver |
| Colour (base & arms) | Black |

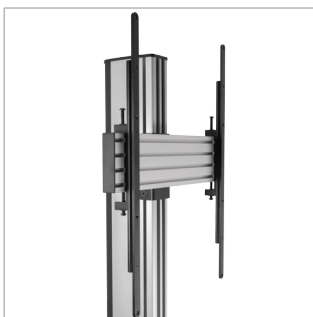
*As standard the maximum fixing dimension is 400mm. Increase the vertical fixing to 600mm using the included interface adaptor arms.

FEATURES

- Universal design suitable for screens in a portrait orientation
- High-end aesthetic quality
- Heavy duty steel base construction provides stability, eliminating the need to bolt to the floor
- Can also be bolted to the floor to help prevent unauthorised relocation of the display(s)
- Supplied with adjustable levelling feet to accommodate uneven floor surfaces
- Arms feature levelling screws to adjust the screen height
- Collar compatible accessories such as shelves (*available separately*) can be fitted directly to the column
- Integrated cable management for a neat and tidy installation
- Safety screws help prevent unauthorised screen removal
- Simple 'hook-on' screen installation
- All mounting hardware included



| | | | | | |
|--|--|------------|--|----------------|-------------|
| | | | | | |
| | | PER SCREEN | | COLUMN / RAILS | BASE / ARMS |



Maximum vertical VESA fixing can be increased to 600mm using the included adaptor arms



Supplied with adjustable levelling feet to accommodate uneven floor surfaces

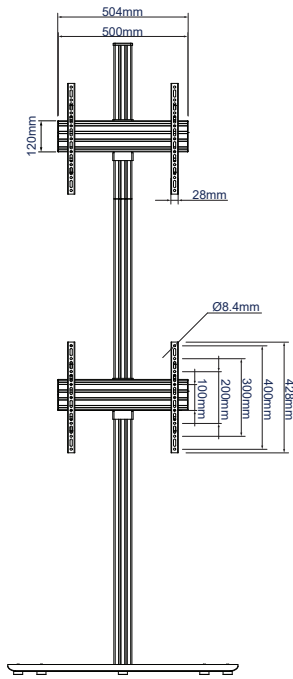


Collar compatible accessories such as shelves (*available separately*) can be fitted directly to the column

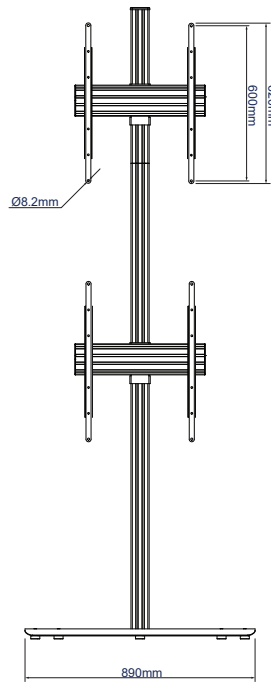


Integrated cable management for a neat and tidy installation

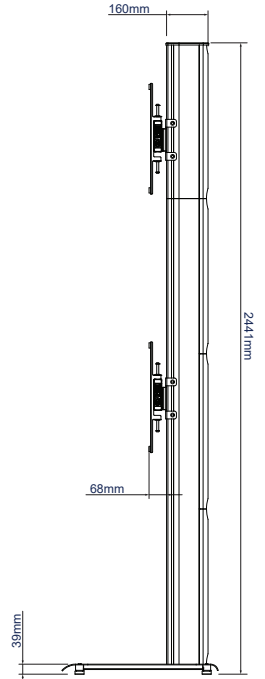




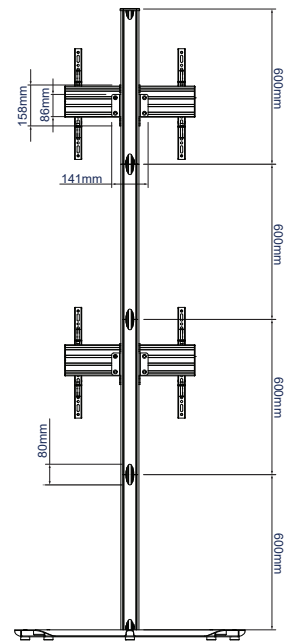
FRONT VIEW



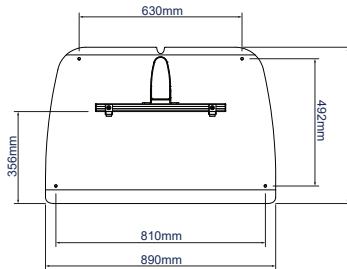
FRONT VIEW WITH ADAPTER ARMS



SIDE VIEW WITH ADAPTER ARMS



REAR VIEW



TOP VIEW

PACKING INFORMATION

PLEASE NOTE, THIS IS A MULTI-BOX ITEM

| COLOUR: | ORDER REF: | EAN CODE: |
|---------|------------|---------------|
| Black | BTf842/BB | 5019318087585 |
| Silver | BTf842/BS | 5019318087592 |

ACCESSORIES AND RELATED PRODUCTS

BT7032



Large AV Accessory Shelf is ideal for adding AV accessories such as a Blu-Ray player or laptop to an installation or a wall

BT8390-VESA400T



VESA 400 Interface Arms designed to mount medium / large sized screens in a tilted position

BTf840



System X Flat Screen Floor Stand - 1.8m designed to mount a single screen in portrait or landscape style

BTf841



System X Dual Stack Floor Stand - 1.8m designed to mount two screens, one above the other, in portrait or landscape style

© 2017 B-Tech Professional Design & Manufacturing Limited. All rights reserved. The information in this specification is subject to change without notice. B-Tech Professional Design & Manufacturing Limited does not accept liability for loss or damage caused by improper installation or use of its products. Any reproduction or transmission of any part of this specification is strictly prohibited unless prior written permission has been granted by B-Tech Professional Design & Manufacturing Limited. E&OE.

SS-V1.1-BTF842-260517