



FOR
EXTRA-LARGE
SCREENS

BTF843

SYSTEM X™ UNIVERSAL

PORTRAIT FLAT SCREEN FLOOR STAND - 1.8M

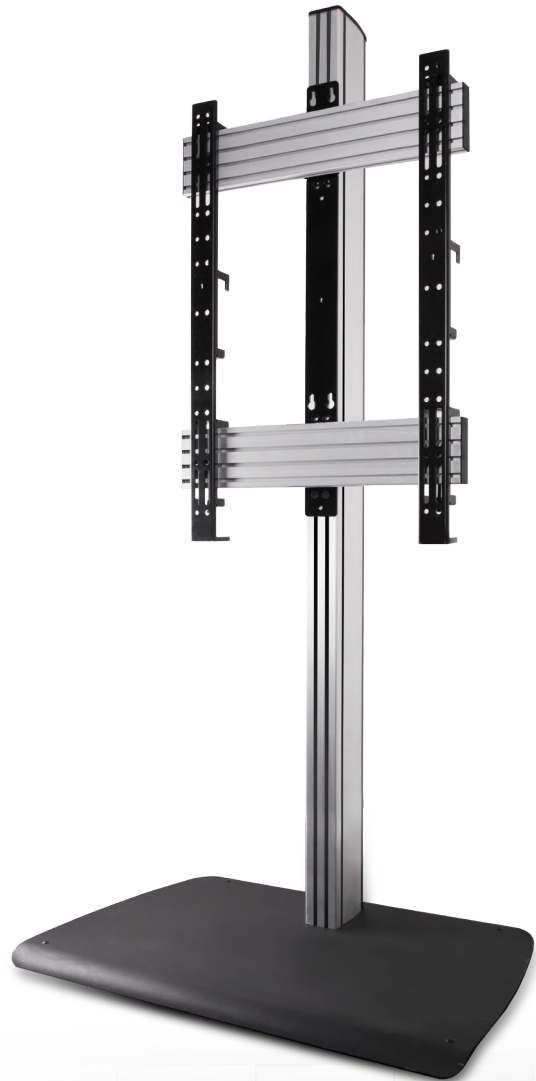
The BTF843 is a premium mounting solution designed to mount extra-large screens in a portrait orientation. A heavy duty steel base eliminates the need to bolt to the floor and adjustable levelling feet are included to accommodate uneven surfaces. The high-end aesthetic with an anodised aluminium finish and integrated cable management ensures finished installations are neat and tidy, making the BTF843 ideal for use in professional or commercial applications.

SPECIFICATION

Recommended screen size	60" to 85"
Max load	70kg
VESA® and non-VESA fixings	up to 800 x 600mm
Dimensions	W: 890mm H: 1841mm D: 604mm
Colour (column)	Black or Silver
Colour (rails)	Silver
Colour (base & arms)	Black

FEATURES

- Universal design suitable for XL screens mounted in a portrait orientation
- High-end aesthetic quality
- Heavy duty steel base construction provides stability, eliminating the need to bolt to the floor
- Can also be bolted to the floor to help prevent unauthorised relocation of the display
- Supplied with adjustable levelling feet to accommodate uneven floor surfaces
- Arms feature levelling screws to adjust the screen height
- Collar compatible accessories such as shelves (*available separately*) can be fitted directly to the column
- Integrated cable management for a neat and tidy installation
- Safety screws help prevent unauthorised screen removal
- Simple 'hook-on' screen installation
- All mounting hardware included



COLUMN RAILS BASE / ARMS



Supplied with adjustable levelling feet to accommodate uneven floor surfaces



Collar compatible accessories such as shelves (*available separately*) can be fitted directly to the column

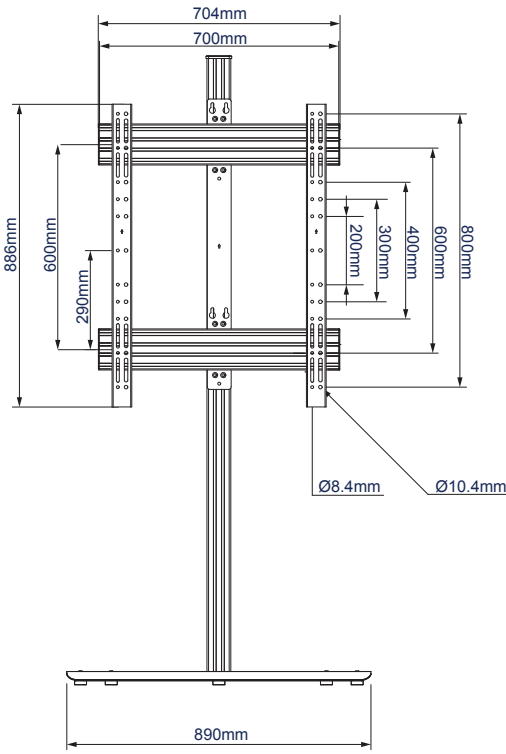


Arms feature levelling screws to adjust the screen height

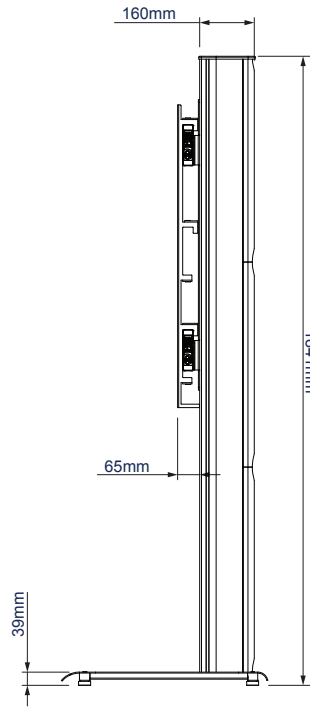


Integrated cable management for a neat and tidy installation

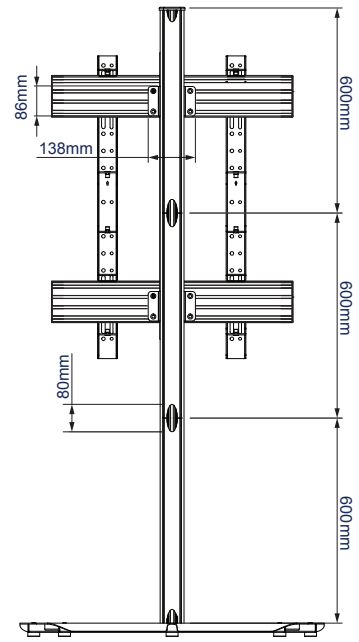




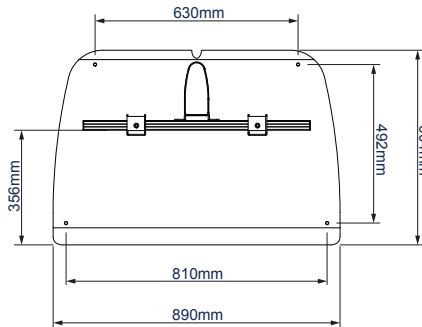
FRONT VIEW



SIDE VIEW



REAR VIEW



TOP VIEW

PACKING INFORMATION

PLEASE NOTE, THIS IS A MULTI-BOX ITEM

COLOUR:	ORDER REF:	EAN CODE:
Black	BTF843/BB	5019318087608
Silver	BTF843/BS	5019318087615

ACCESSORIES AND RELATED PRODUCTS

BT7032



Large AV Accessory Shelf is ideal for adding AV accessories such as a Blu-Ray player or laptop to an installation or a wall

BT7863



VC Camera Shelf is ideal for adding VC cameras or small media players to an installation or directly to the wall

BTF840



System X Flat Screen Floor Stand - 1.8m designed to mount a single screen in portrait or landscape style

BTF841



System X Dual Stack Floor Stand - 1.8m designed to mount two screens, one above the other, in portrait or landscape style

© 2015 B-Tech International Design & Manufacturing Limited. All rights reserved. This information is provided as a guide only. The information is subject to change without notice. B-Tech International Design & Manufacturing Limited. All rights reserved. No part of this document may be reproduced or transmitted in any form or by any means, electronic, mechanical, photocopying, recording, or by any information storage and retrieval system, without permission in writing from B-Tech International Design & Manufacturing Limited. B-Tech International Design & Manufacturing Limited. All rights reserved.