



B-TECH AV MOUNTS™

FOR PORTRAIT  
& LANDSCAPE  
MOUNTING

# BTF840

## SYSTEM X™

### UNIVERSAL FLAT SCREEN FLOOR STAND - 1.8M

The BTF840 is a premium mounting solution designed to mount screens up to 65" in either landscape or portrait orientation. A heavy duty steel base eliminates the need to bolt to the floor and adjustable levelling feet are included to accommodate uneven surfaces. The high-end aesthetic with an anodised aluminium finish and integrated cable management ensures finished installations are neat and tidy, making the BTF840 ideal for use in professional or commercial applications.

#### SPECIFICATION

Recommended screen size	39" - 65"
Max load	70kg
VESA® & non-VESA fixings (as standard)	up to 430 x 400mm*
VESA® & non-VESA fixings (with included adaptors)	up to 600 x 400mm*
Dimensions	W: 890mm H: 1841mm D: 604mm
Colour (column & rail)	Black or Silver
Colour (base & arms)	Black

\*As standard the maximum fixing dimension is 400mm. Increase either the horizontal or vertical fixing to 600mm using the included interface adaptor arms.

#### FEATURES

- Universal design suitable for screens in a landscape or portrait orientation
- High-end aesthetic quality
- Heavy duty steel base construction provides stability, eliminating the need to bolt to the floor
- Can also be bolted to the floor to help prevent unauthorised relocation of the display
- Supplied with adjustable levelling feet to accommodate uneven floor surfaces
- Arms feature levelling screws to adjust the screen height
- Collar compatible accessories such as shelves (available separately) can be fitted directly to the column
- Integrated cable management for a neat and tidy installation
- Safety screws help prevent unauthorised screen removal
- Simple 'hook-on' screen installation
- All mounting hardware included



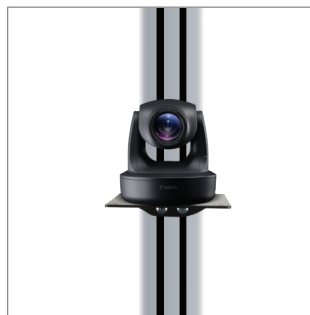
COLUMN / RAIL BASE / ARMS



Maximum VESA fixing can be increased to 600mm using the included adaptor arms



Supplied with adjustable levelling feet to accommodate uneven floor surfaces

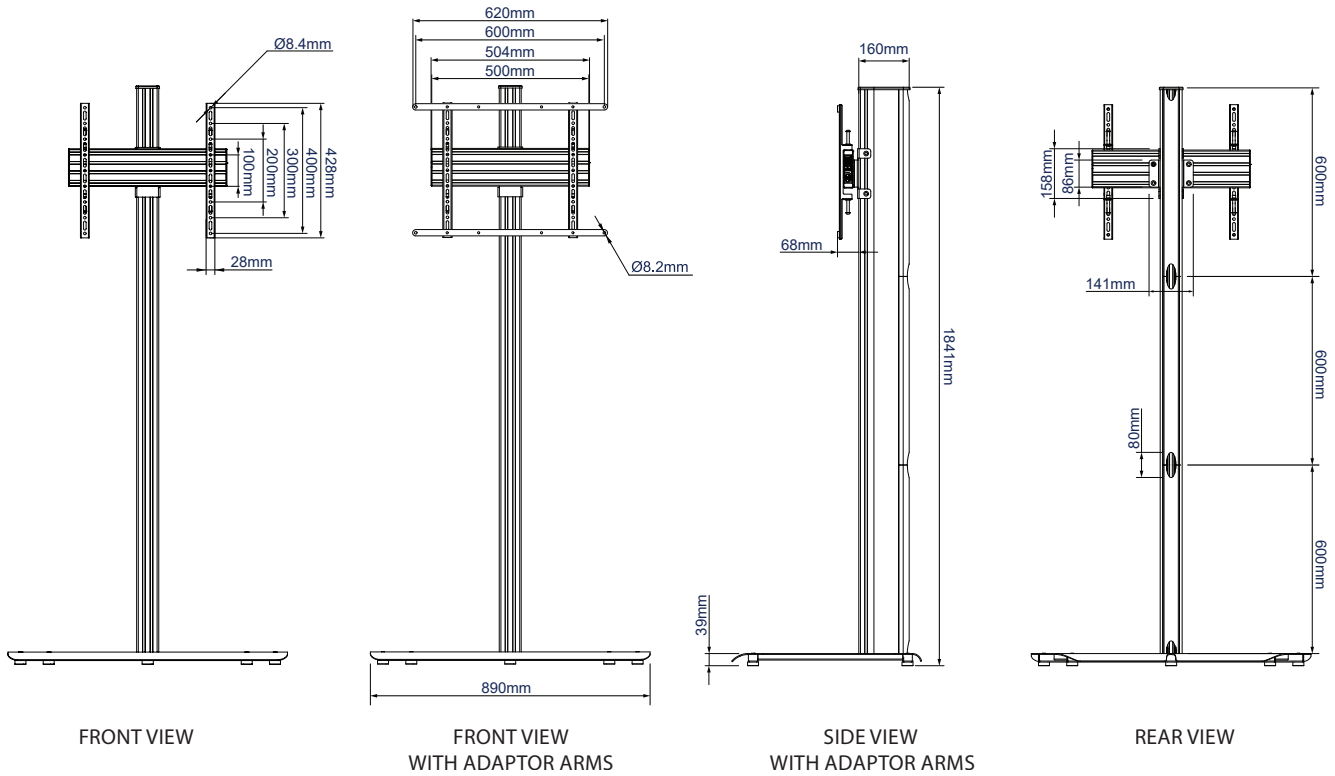


Collar compatible accessories such as shelves (available separately) can be fitted directly to the column



Integrated cable management for a neat and tidy installation



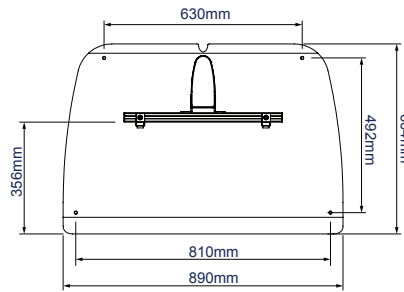


FRONT VIEW

FRONT VIEW WITH ADAPTOR ARMS

SIDE VIEW WITH ADAPTOR ARMS

REAR VIEW



TOP VIEW

**PACKING INFORMATION**

PLEASE NOTE, THIS IS A MULTI-BOX ITEM

COLOUR:	ORDER REF:	EAN CODE:
Black	BTF840/BB	5019318087547
Silver	BTF840/BS	5019318087554

**ACCESSORIES AND RELATED PRODUCTS**

**BT7032**



**Large AV Accessory Shelf** is ideal for adding AV accessories such as a Blu-Ray player or laptop to an installation or a wall

**BT7863**



**VC Camera Shelf** is ideal for adding VC cameras or small media players to an installation or directly to the wall

**BT8390-VESA400T**



**VESA 400 Interface Arms** designed to mount medium / large sized screens in a tilted position

**BTf841**



**System X Dual Stack Floor Stand - 1.8m** designed to mount two screens, one above the other, in portrait or landscape style

© 2019 B-Tech Mounts. All rights reserved. B-Tech Mounts is a registered trademark of B-Tech Mounts. All other trademarks are the property of their respective owners. We warrant the goods to be free from defects in materials and workmanship for a period of 3 years from the date of purchase. B-Tech Mounts is not liable for loss or damage caused by improper installation or use. For more information visit [www.btechavmounts.com](http://www.btechavmounts.com)