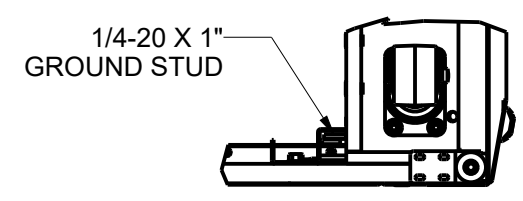
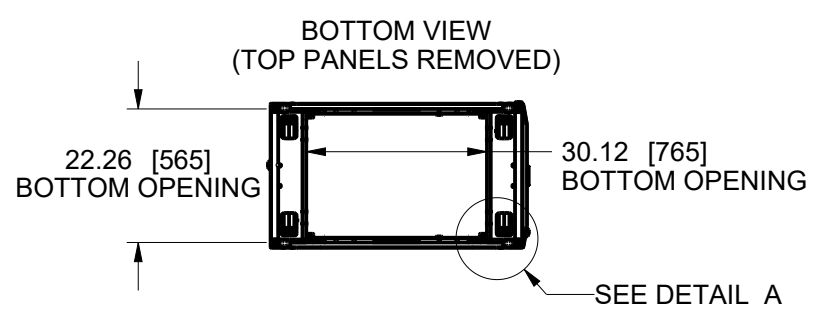
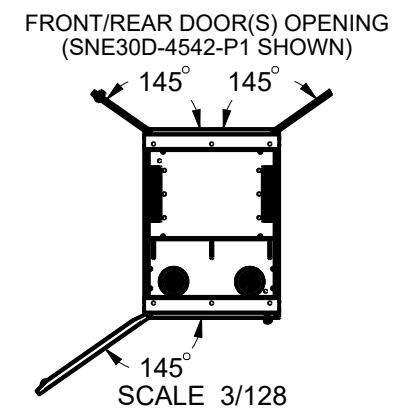
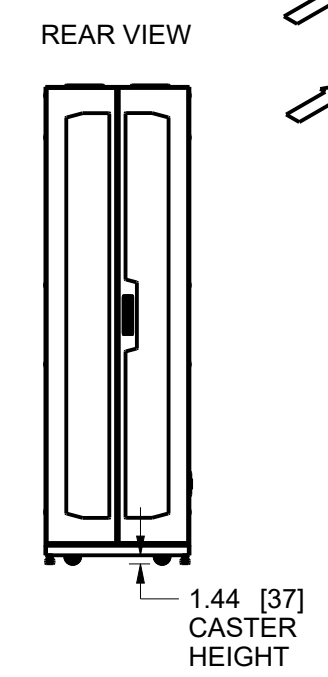
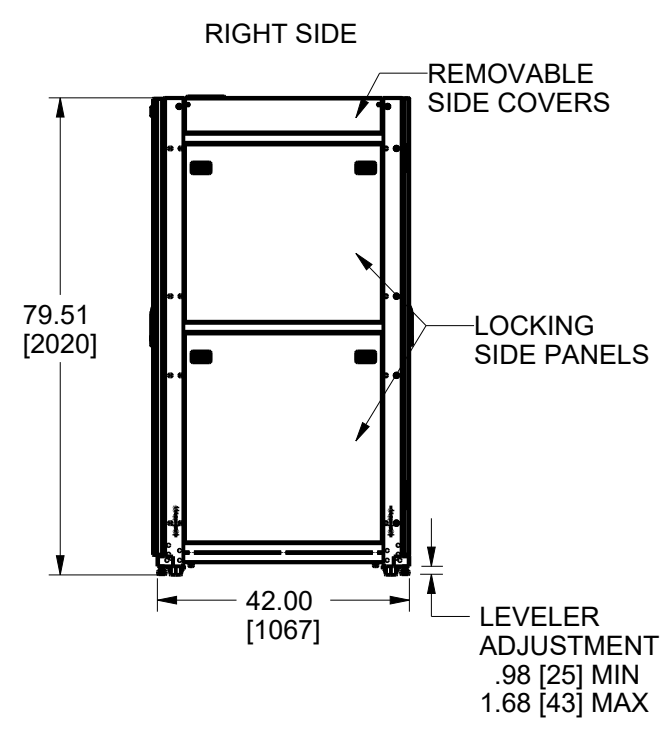
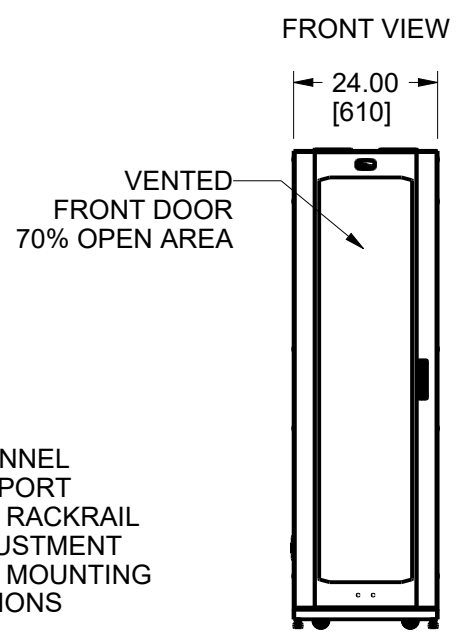
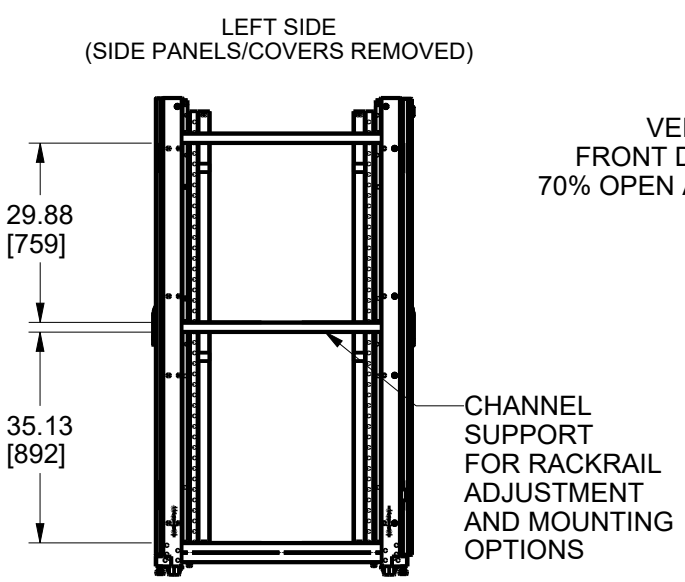
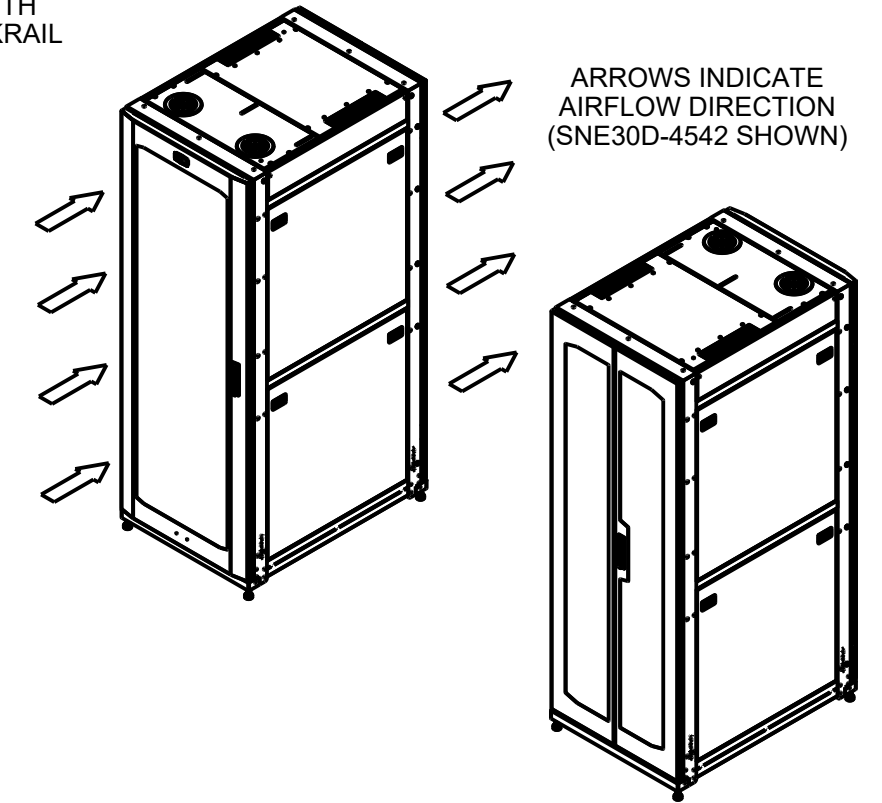
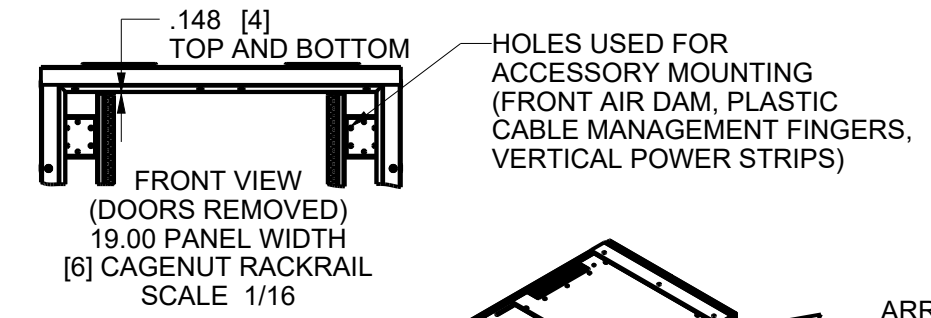
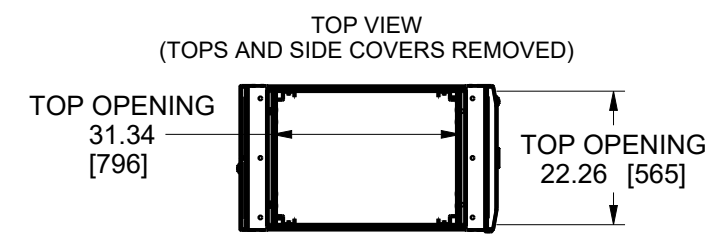
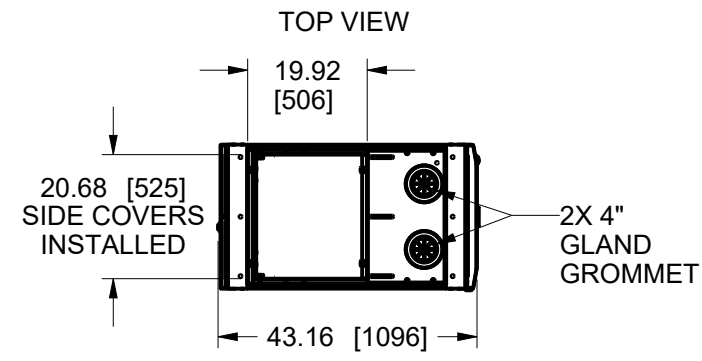


NOTES:
 1. ALL DIMENSIONS SHOWN IN FORMAT: INCHES [MM]
 2. FRONT DOOR, REAR DOORS, AND SIDE PANELS ARE KEYED THE SAME.

REV	DESCRIPTION	REV BY	REV DATE	APP'D BY	DATE APP.
A	PRODUCTION RELEASE	///	////	RA	12/31/21

A
B
C
D
E



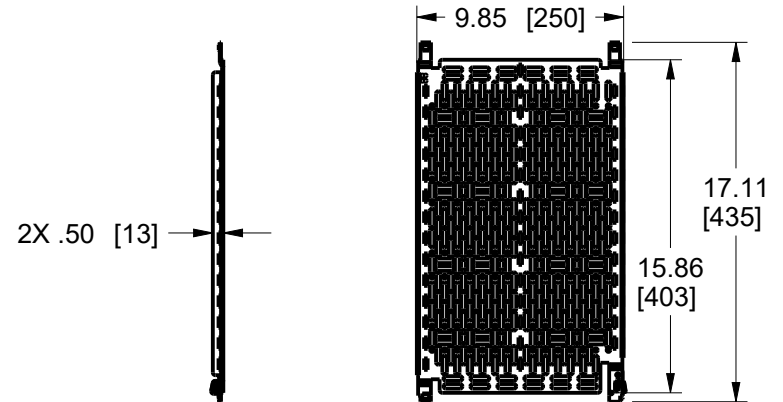
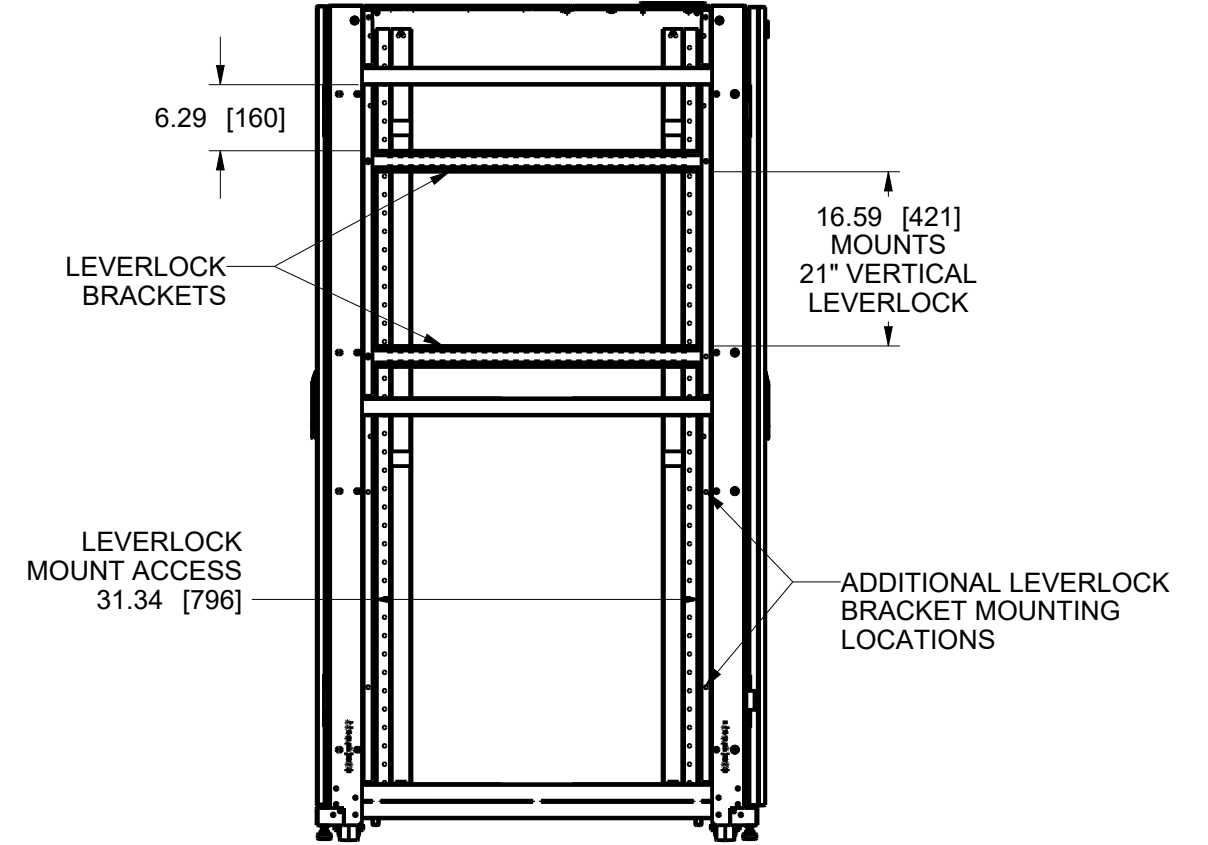
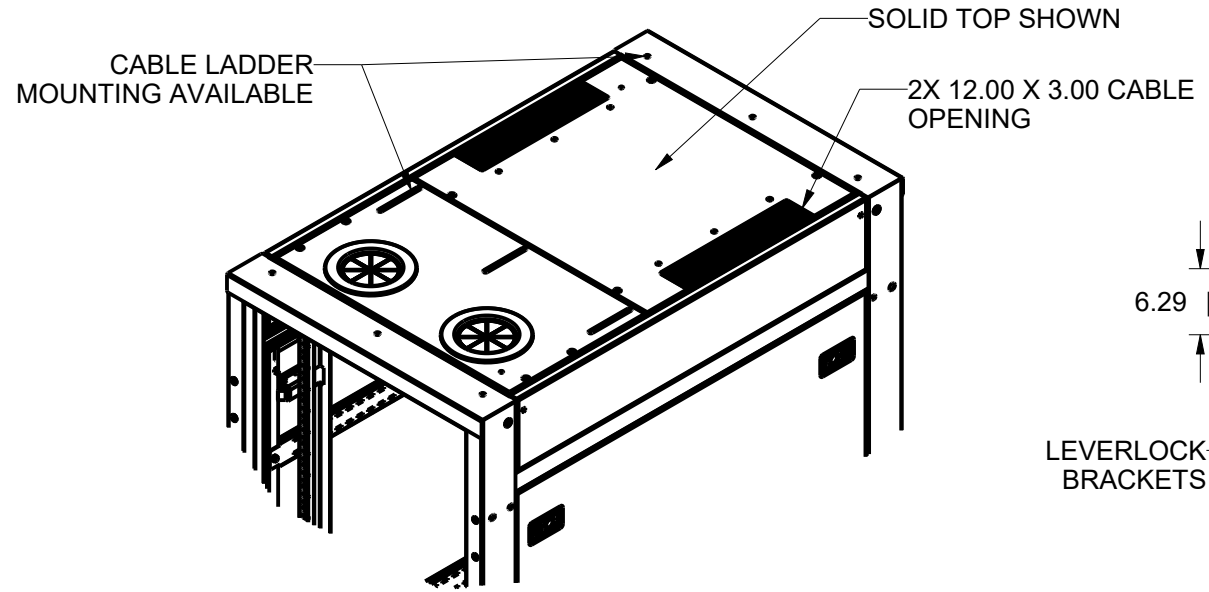
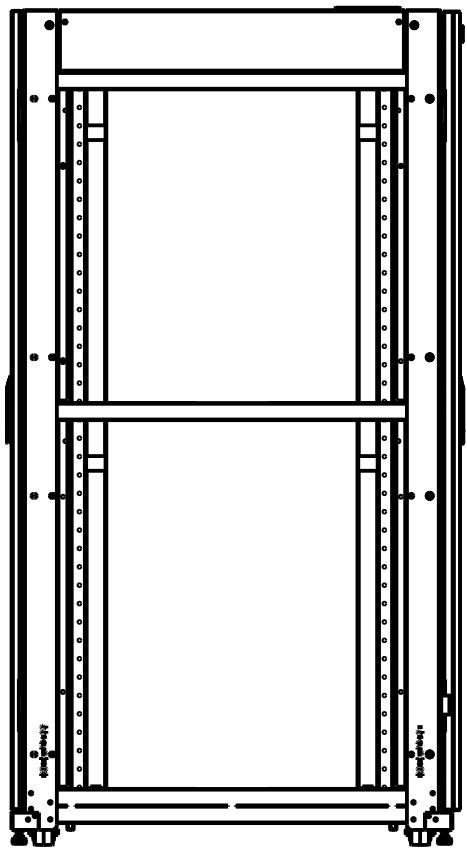
DETAIL A
SCALE 1/8

PROJECTION: 1" ANGLE SCALE = 1/32 SHEET 1 OF 2	UNLESS OTHERWISE SPECIFIED, ALL DIMENSIONS ARE IN INCHES GENERAL TOLERANCES: DEC: 1 PLACE +/-0.1 ANGLE: +/-1° 2 PLACE +/-0.03 FRAC: +/-1/32 3 PLACE +/-0.010 HOLE SIZE: +/-0.002	APPROVALS MODELED SB DRAWN SB	DATE 12/20/21 12/15/21	MIDDLE ATLANTIC <small>100 YEARS</small>	TITLE SNE DIGITAL ENCLOSURE	DWG NO. SNE24D-4242-P1_TECH_SPEC DWG REV A
	THIS DRAWING CONTAINS TRADE INFORMATION DEEMED TO BE CONFIDENTIAL AND PROPRIETARY PROPERTY OF MIDDLE ATLANTIC PRODUCTS, INC. AND IS TO BE USED ONLY FOR THE PURPOSES FOR WHICH IT IS SUBMITTED AND FURTHER SHALL NOT BE COPIED IN WHOLE OR PART WITHOUT WRITTEN PERMISSION FIRST OBTAINED FROM MIDDLE ATLANTIC PRODUCTS, INC.					

1 2 3 4 5 6 7 8

A
B
C
D
E

SIDE VIEW
(LEVERLOCK BRACKETS REMOVED)



LEVERLOCK DETAIL
LL-VP2110 SHOWN
(2 QTY INCLUDED)
SCALE 7/64

PROJECTION: 1" ANGLE 	UNLESS OTHERWISE SPECIFIED, ALL DIMENSIONS ARE IN INCHES GENERAL TOLERANCES: DEC: 1 PLACE +/-0.1 ANGLE: +/-1° 2 PLACE +/-0.03 FRAC: +/-1/32 3 PLACE +/-0.010 HOLE SIZE: +/-0.002	APPROVALS	DATE	MIDDLE ATLANTIC <small>Manufacturing</small>	TITLE	SNE DIGITAL ENCLOSURE
		MODELED SB DRAWN SB	12/20/21 12/15/21		DWG NO.	SNE24D-4242-P1_TECH_SPEC
SIZE B SHEET 2 OF 2					<small>THIS DRAWING CONTAINS TRADE INFORMATION DEEMED TO BE CONFIDENTIAL AND PROPRIETARY PROPERTY OF MIDDLE ATLANTIC PRODUCTS, INC. AND IS TO BE USED ONLY FOR THE PURPOSES FOR WHICH IT IS SUBMITTED AND FURTHER SHALL NOT BE COPIED IN WHOLE OR PART WITHOUT WRITTEN PERMISSION FIRST OBTAINED FROM MIDDLE ATLANTIC PRODUCTS, INC.</small>	

SEP 2016 REV B - 07/14/21