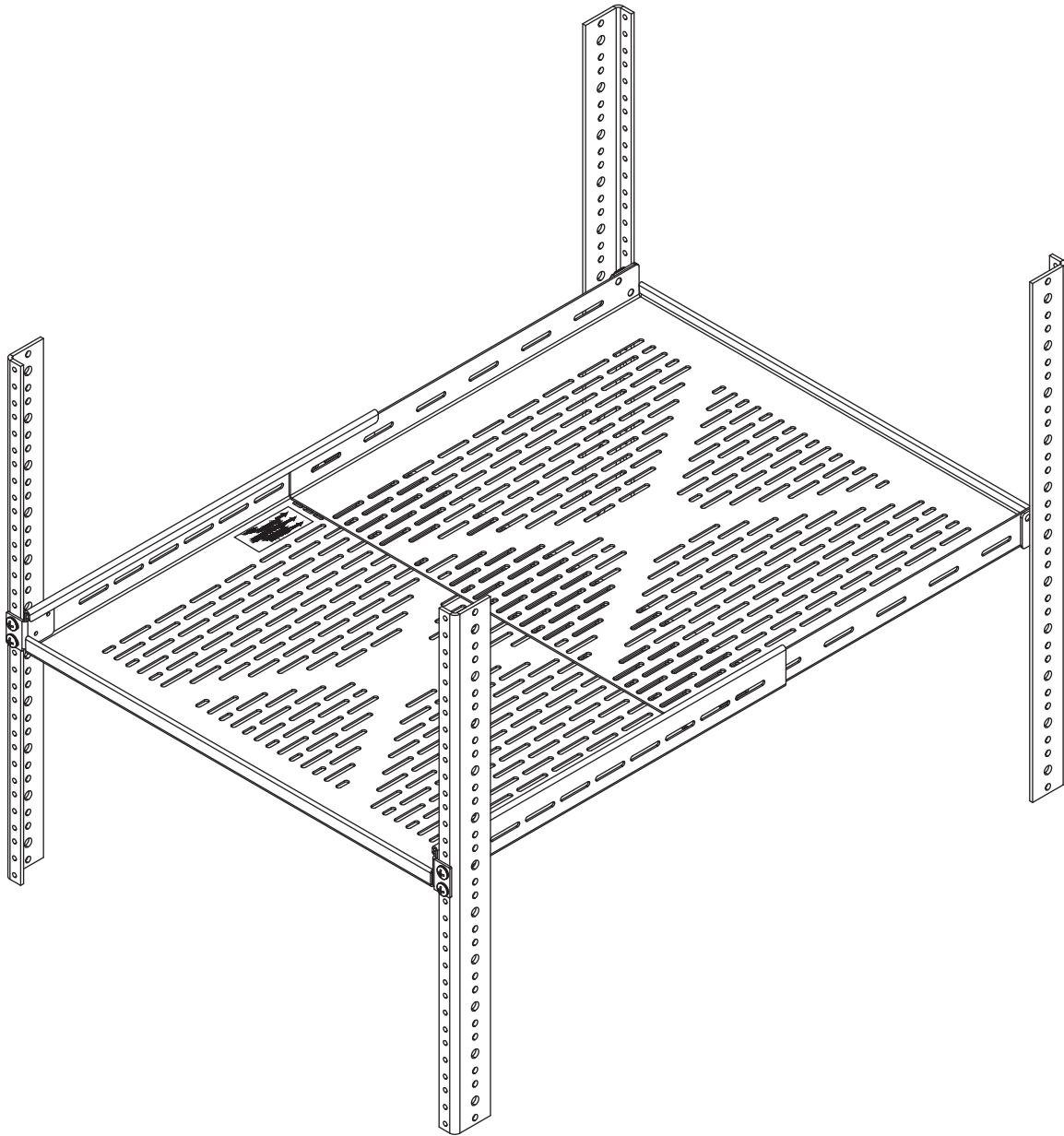


INSTRUCTION SHEET  
**VSA SERIES**  
TELESCOPING RACKSHELF



### THANK YOU

Thank you for purchasing the VSA Series Telescoping Rackshelf. Please read these instructions thoroughly before installing or assembling this product.

### PRODUCT FEATURES

- Shelf area telescopes to reach from front to rear rackrail.
- Can mount upside down for an increased usable width.

**MIDDLE  
ATLANTIC**

A brand of **legrand**

I-00236

Rev F

## IMPORTANT SAFETY INSTRUCTIONS

- Read these instructions.
- Heed all warnings.
- Clean only with dry cloth.
- Keep these instructions.
- Follow all instructions.
- Only use attachments/accessories specified by the manufacturer.



**WARNING:** A warning alerts you to a situation that could result in serious personal injury or death.



**WARNING:** Middle Atlantic Products, Inc. electrical systems conform to and should be properly grounded in compliance with requirements of the current National Electrical Code or codes administered by local authorities. All electrical products may present a possible shock or fire hazard if improperly installed or used. Middle Atlantic Products, Inc. electrical products may bear the mark of a Nationally Recognized Testing Laboratory (NRTL) and should be installed in conformance with current local and/or the National Electrical Code.



**WARNING:** Failure to read, understand and follow the following information can result in serious personal injury, damage to the equipment or voiding of the warranty. It is the responsibility of the Installer/User to ensure that this product is loaded according to specifications.

## INSTRUCTIONS IMPORTANTES SUR LA SÉCURITÉ

- Lire ces instructions.
- Respectez tous les avertissements.
- Nettoyer uniquement avec un chiffon sec.
- Conservez ces instructions.
- Suivez toutes les instructions.
- N'utilisez que des accessoires spécifiés par le fabricant.



**AVERTISSEMENT:** Un avertissement vous avertit d'une situation pouvant entraîner des blessures graves ou la mort.



**AVERTISSEMENT:** Middle Atlantic Products, Inc. électrique systèmes conformes à devraient être mis à la terre dans conformité avec les exigences de la National actuelle ou comme les codes électrique administré par les autorités locales autorités. Tous les produits électriques peuvent présenter un choc ou un incendie danger si elle est mal installé ou utilisé. Middle Atlantic Products, Inc. produits électriques peuvent porter la marque d'un Nationally Recognized Testing Laboratory (NRTL) et doit être installé en conformité avec courant local et/ou le National Electrical Code.



**AVERTISSEMENT:** Refus de lire, comprendre et suivre la renseignements suivants peut traduire par de graves blessures, des dommages à l'équipement ou invalider la garantie. Il est la responsabilité de l'installateur / utilisateur de s'assurer que ce produit est chargé conformément aux spécifications.

## WEIGHT RATING

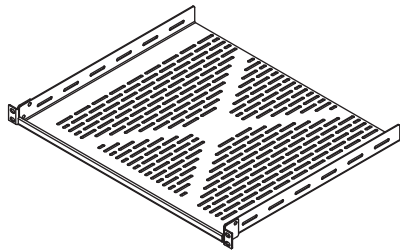
Model Number	Weight Rating
VSA-XXXX	500 lb. (226.8 kg) Maximum Total Rated Load



**WARNING:** This product is intended for use only with the products and maximum weights indicated. Use with other products or products heavier than the maximum weights indicated may result in instability causing possible injury. Total equipment weight must not exceed 500 lb. (226.8 kg).

**AVERTISSEMENT:** Cette produit est conçu pour être utilisé uniquement avec les produits et les poids maximum indiqué. uniquement avec les produits et les poids maximaux indiqués. En cas d'utilisation avec d'autres produits ou des produits plus lourds que le poids maximal indiqué, le chariot peut devenir instable et causer des blessures. Le poids total de l'équipement ne doit pas dépasser 226.8 kg (500 lb.).

## SUPPLIED COMPONENTS AND HARDWARE

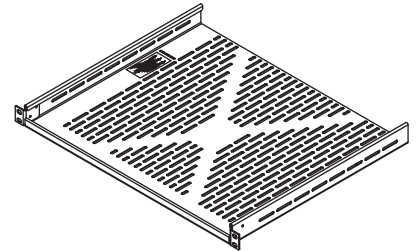


Inner Shelf  
A

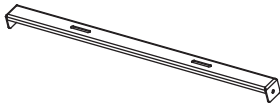


(4x)  
10-32 Cage Nut  
B

**NOTE:** Cage nuts are included for installations using Middle Atlantic's Forward rackrail.



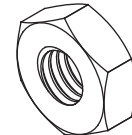
Outer Shelf  
C



Support Brace  
D



(4x)  
Brace Stud  
E



(4x)  
Brace Nut  
F

**NOTE:** Additional hardware is included that may not be required for your installation.

## REQUIRED HARDWARE AND TOOLS

- (8x) Standard, 10-32 Rack Screws
- #2 Phillips Screwdriver
- Brace Wrench (Provided)



**WARNING:** Use tools with caution and follow all necessary safety protocols.

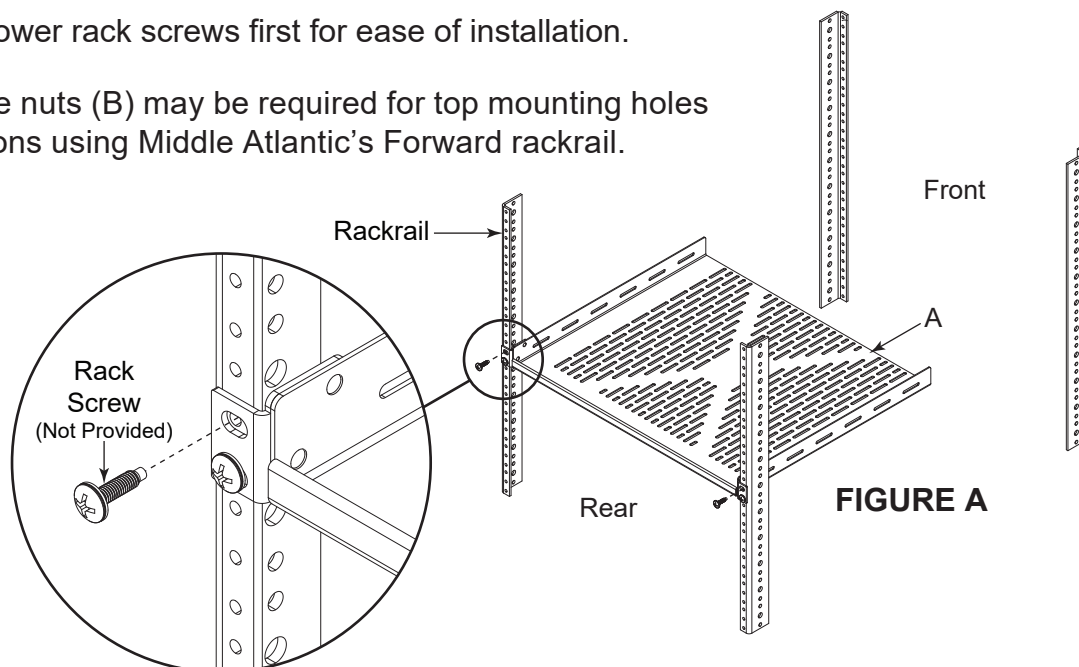
**AVERTISSEMENT:** Utiliser des outils avec prudence et suivre tous les protocoles de sécurité nécessaires.

## STANDARD INSTALLATION

1. Use a #2 Phillips screwdriver and (4x) rack screws (not provided) to attach the inner shelf (A) to your desired rear rackspace as shown. **(FIGURE A)**

**TIP:** Install lower rack screws first for ease of installation.

**NOTE:** Cage nuts (B) may be required for top mounting holes on installations using Middle Atlantic's Forward rackrail.



## STANDARD INSTALLATION (CONTINUED)

2. Carefully slide the outer shelf (C) onto the inner shelf (A) and then use (4x) rack screws (not provided) to attach the outer shelf to the corresponding front rackspace. **(FIGURE B)**

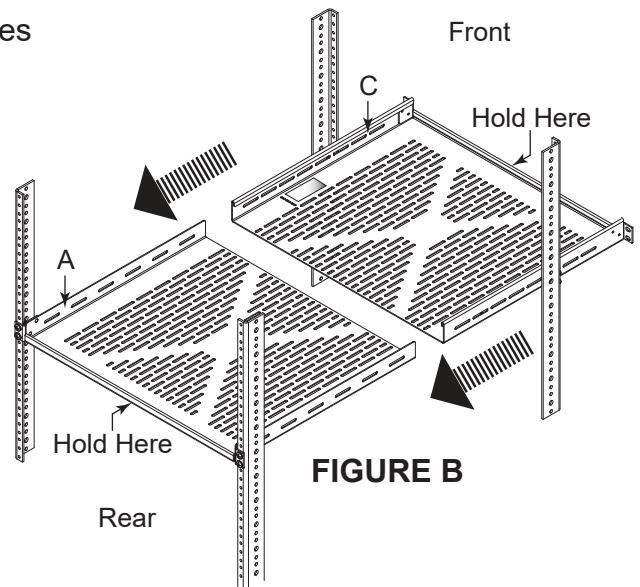
**NOTE:** Cage nuts (B) may be required for top mounting holes on installations using Middle Atlantic's Forward rackrail.



**CAUTION:** To ensure stability, do not exceed the three slots on both sides of the outer shelf (C). Label on outer shelf indicates three slots.  
**ATTENTION:** Pour assurer la stabilité, ne dépassez pas les trois fentes des deux côtés de la tablette extérieure (C). L'étiquette sur l'étagère extérieure indique trois emplacements.



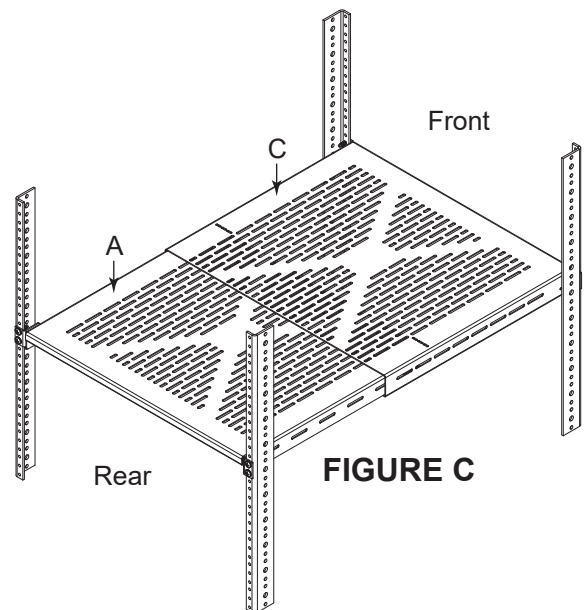
Label on outer shelf (C).



## REVERSE INSTALLATION

**NOTE:** You may install your rackshelf upside down to increase the usable width, if desired.

- Perform the "Standard Installation" procedure starting on page 4, with both the inner shelf (A) and outer shelf (C) turned over as shown. **(FIGURE C)**



## INSTALLING THE SUPPORT BRACE (OPTIONAL)

### NOTE:

- Install the support brace (D) to prevent any excess bowing and provide extra support, if desired.
- The support brace (D) may be added to both standard and reverse installations.

- Use wrench (provided), (4x) brace studs (E), and (4x) brace nuts (F) to attach the support brace (D) to the outer shelf (C) as shown.

(FIGURE D)

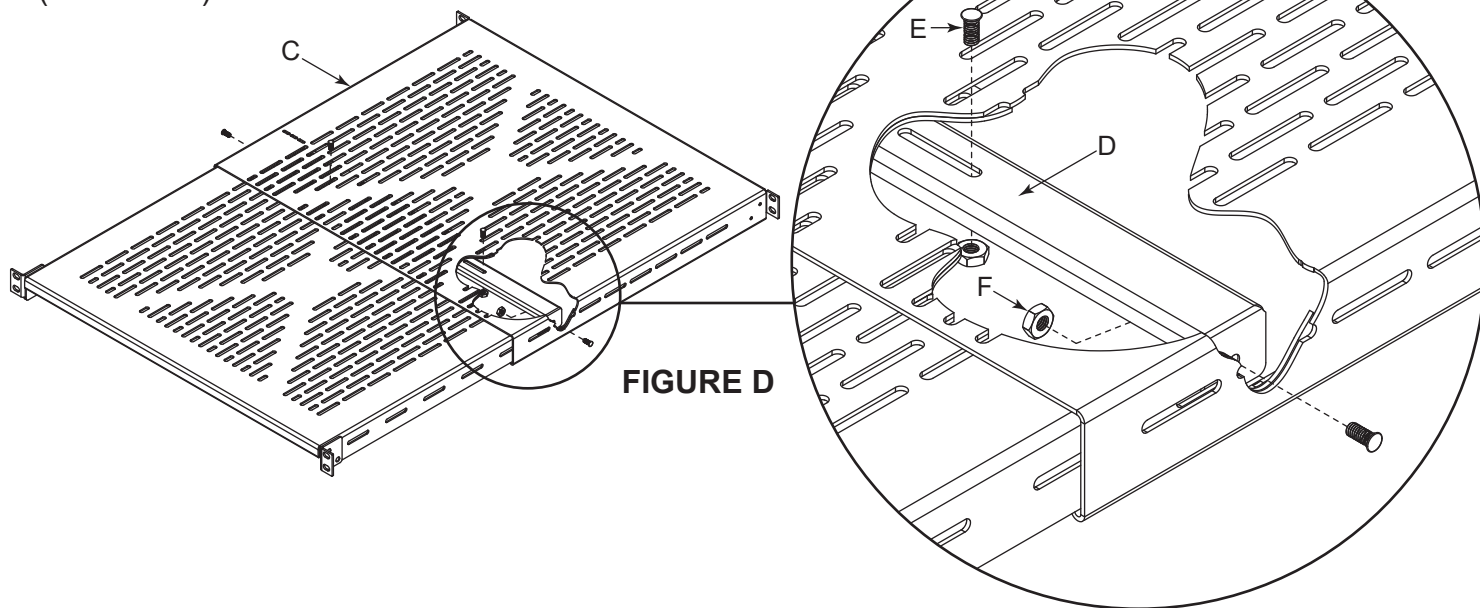


FIGURE D

## WARRANTY

For warranty information, refer to [www.legrandav.com/policies/warranty\\_information](http://www.legrandav.com/policies/warranty_information).

### Contacting Corporate Headquarters

P: (866) 977-3901 | F: (877) 894-6918 | [www.legrandav.com](http://www.legrandav.com) | [av.support@legrand.com](mailto:av.support@legrand.com)

### Contacting Middle Atlantic Canada

P: (888) 766-9770 | F: (888) 599-5009 | [ca.middleatlantic.com](http://ca.middleatlantic.com) | [av.canada.customerservice@legrand.com](mailto:av.canada.customerservice@legrand.com)

### Contacting Middle Atlantic Europe, Middle East, and Africa (EMEA) Technical Support

P: +31 495-726-003 | [av.emea.middleatlantic.support@legrand.com](mailto:av.emea.middleatlantic.support@legrand.com)

#### United States (US)

Legrand | AV Headquarters  
6436 City West Parkway  
Eden Prairie, MN, 55344, USA

#### European Union (EU)

Legrand AV Netherlands  
B.V. Franklinstraat 14 6003  
DK, Weert, Netherlands

#### United Kingdom (UK)

Starline Holding Technology Ltd.  
(Authorized Representative)  
Unit C, Island Rd.  
Reading RG2, 0RP- UK

At Legrand AV Inc. we are always listening. Your comments are welcome.

Legrand AV is an ISO 9001 and ISO 14001 Registered Company.

# MIDDLE ATLANTIC®

A brand of  legrand®