

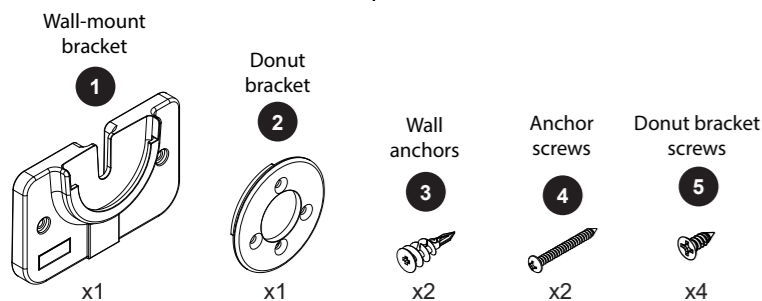
Quick Start

Meural Canvas Swivel Mount

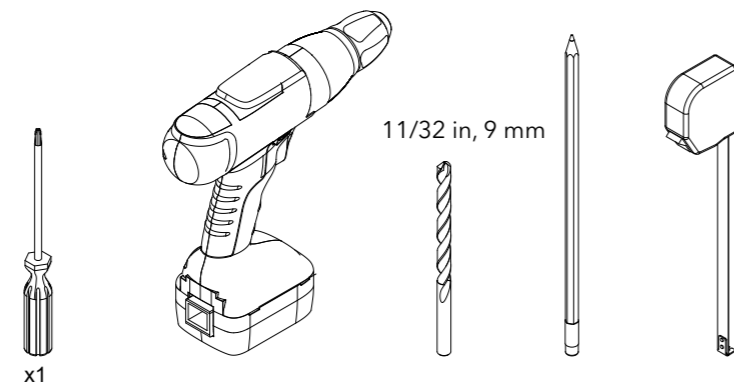


POWERED BY
NETGEAR

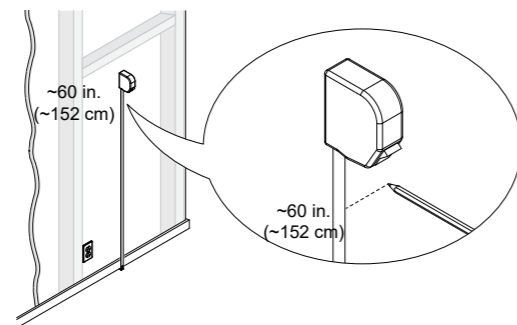
Package contents



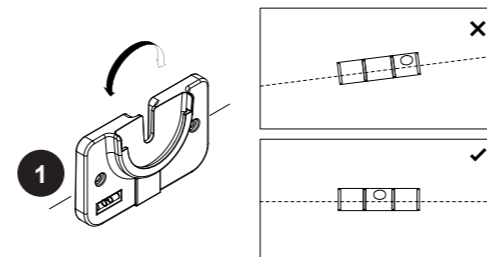
Tools



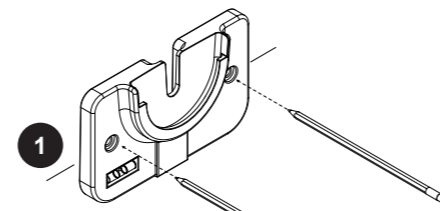
1. Choose a location



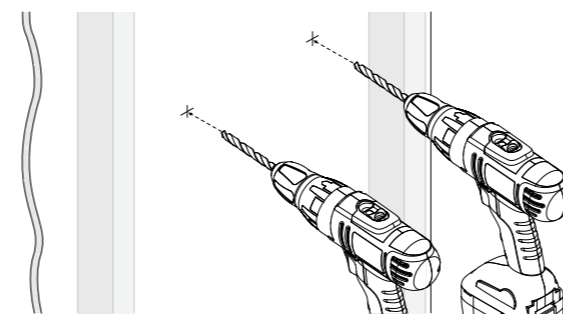
2. Level the wall-mount bracket



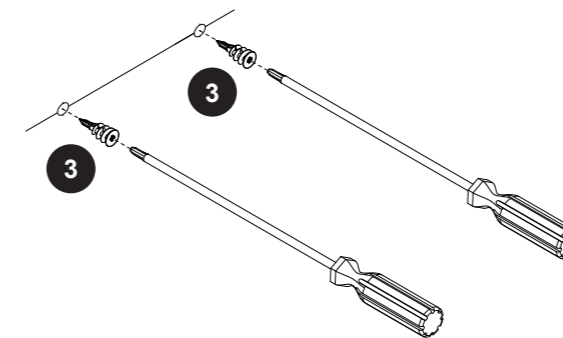
3. Mark the location



4. Drill the holes

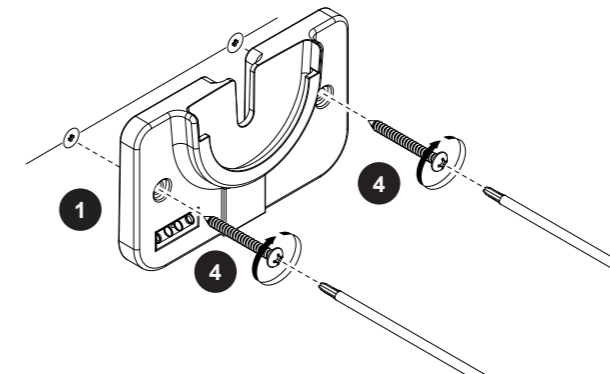


5. Screw in the anchors

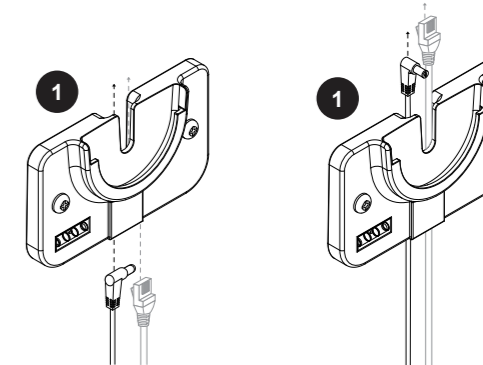


CAUTION: Drywall only.

6. Attach the wall-mount bracket to the wall

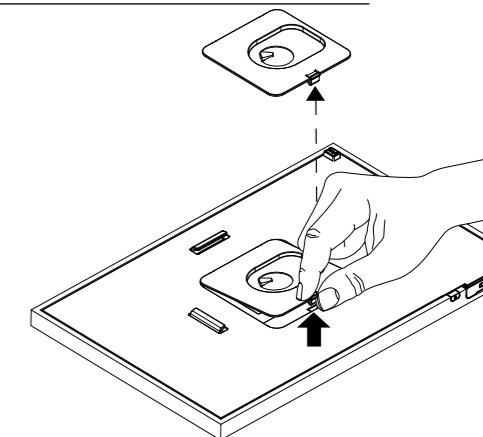


7. Route the cables



Ethernet cable optional

8. Put the canvas face down near the bracket and remove the back panel



Support

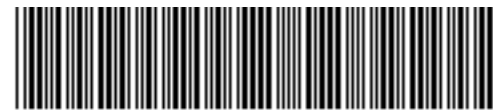
Thank you for purchasing this NETGEAR product. You can visit <https://www.netgear.com/support/> to register your product, get help, access the latest downloads and user manuals, and join our community. We recommend that you use only official NETGEAR support resources.

Si ce produit est vendu au Canada, vous pouvez accéder à ce document en français canadien à <https://www.netgear.com/support/download/>.

(If this product is sold in Canada, you can access this document in Canadian French at <https://www.netgear.com/support/download/>.)

For regulatory compliance information including the EU Declaration of Conformity, visit <https://www.netgear.com/about/regulatory/>.

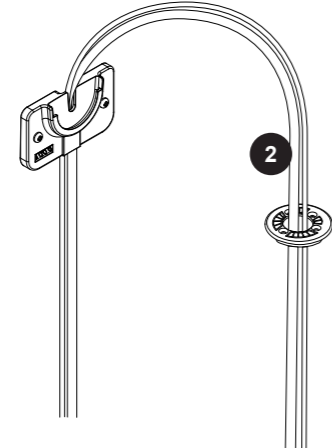
See the regulatory compliance document before connecting the power supply.



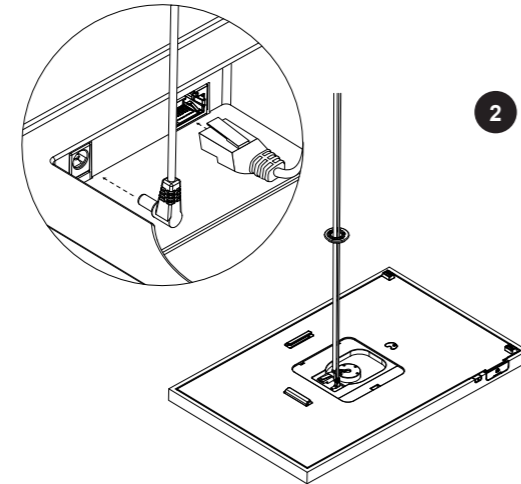
201-27343-01

July 2020

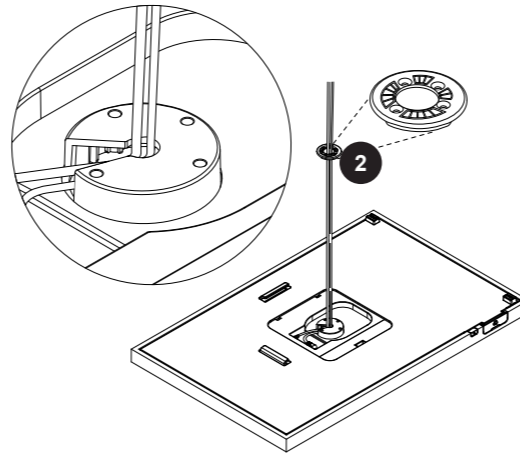
9. Route the cables through the donut bracket



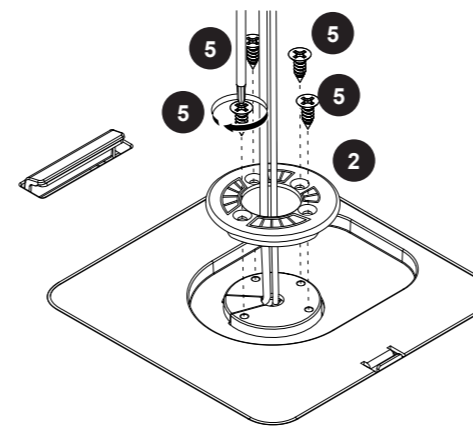
10. Connect the cables



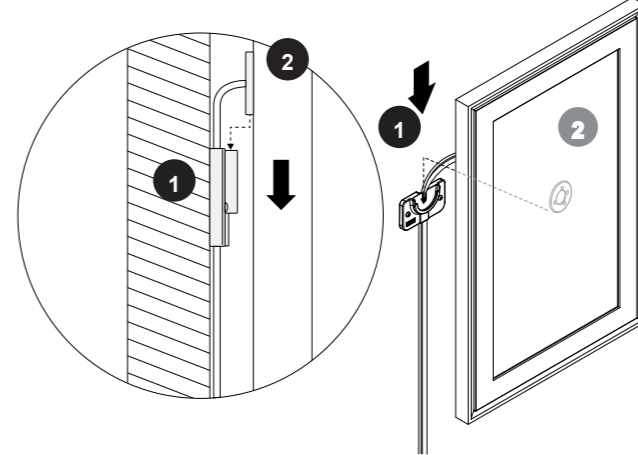
11. Route the cables through the center



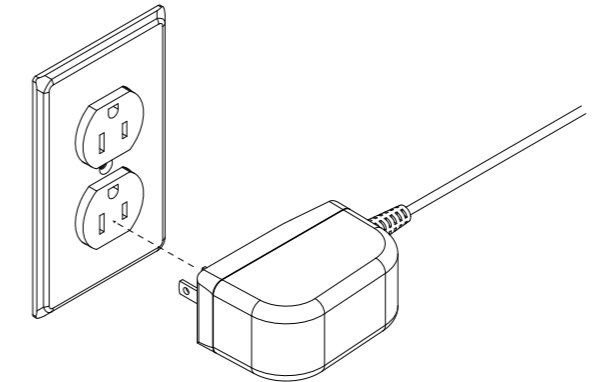
12. Align the donut bracket and screw to the canvas



13. Hang your canvas vertically



14. Connect to power



You may discard the back panel.

To rotate your canvas:

