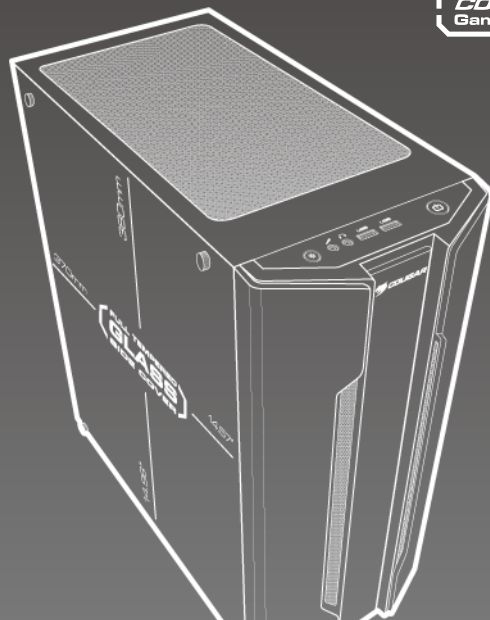




REAL GEAR FOR REAL GAMERS



GEMINI M

COUGAR BRINGS YOU A NEW VERSION OF THE REVOLUTIONARY DESIGN OF GEMINI M IN A WHOLLY NEW FORMAT: GEMINI M IS A COMPACT CASE THAT DELIVERS YOU TOP-END PERFORMANCE, COUGAR'S EXCLUSIVE AND INTEGRATED TRELUX RGB LIGHTING AND AN ELEGANT BRUSHED METAL-LIKE FRONT PANEL.

INTEGRATED RGB LIGHTING

Gemini M features COUGAR's exclusive Trelux integrated lighting system. This advanced design allows it to display fourteen amazing lighting effects without installing any additional devices in the case and control them through the integrated lighting button.

ELEGANT DESIGN

Gemini M's brushed metal-like front panel gives it a unique look that sets it apart from other compact cases. This texture is also a great companion to the integrated lighting since the powerful lights coming out of it benefit from the reflective surroundings that help reinforce the effects.

FULL SIDE VISIBILITY

To help you appreciate your system's full beauty, a full-sized tempered glass side window will allow you to contemplate your system's interior.

GREAT SUPPORT FOR COMPONENTS

You won't believe how powerful a gaming beast you can build inside Gemini M. Its advanced support for graphics cards (up to two 330mm-long graphics cards) will allow you to enjoy the latest games with smooth framerates.

TOP-NOTCH COOLING

Gemini M's compact layout allows you to install six fans and three water cooling radiators, with the front one up to 280mm. This immense cooling potential will enable you to choose freely the components you want in your build.

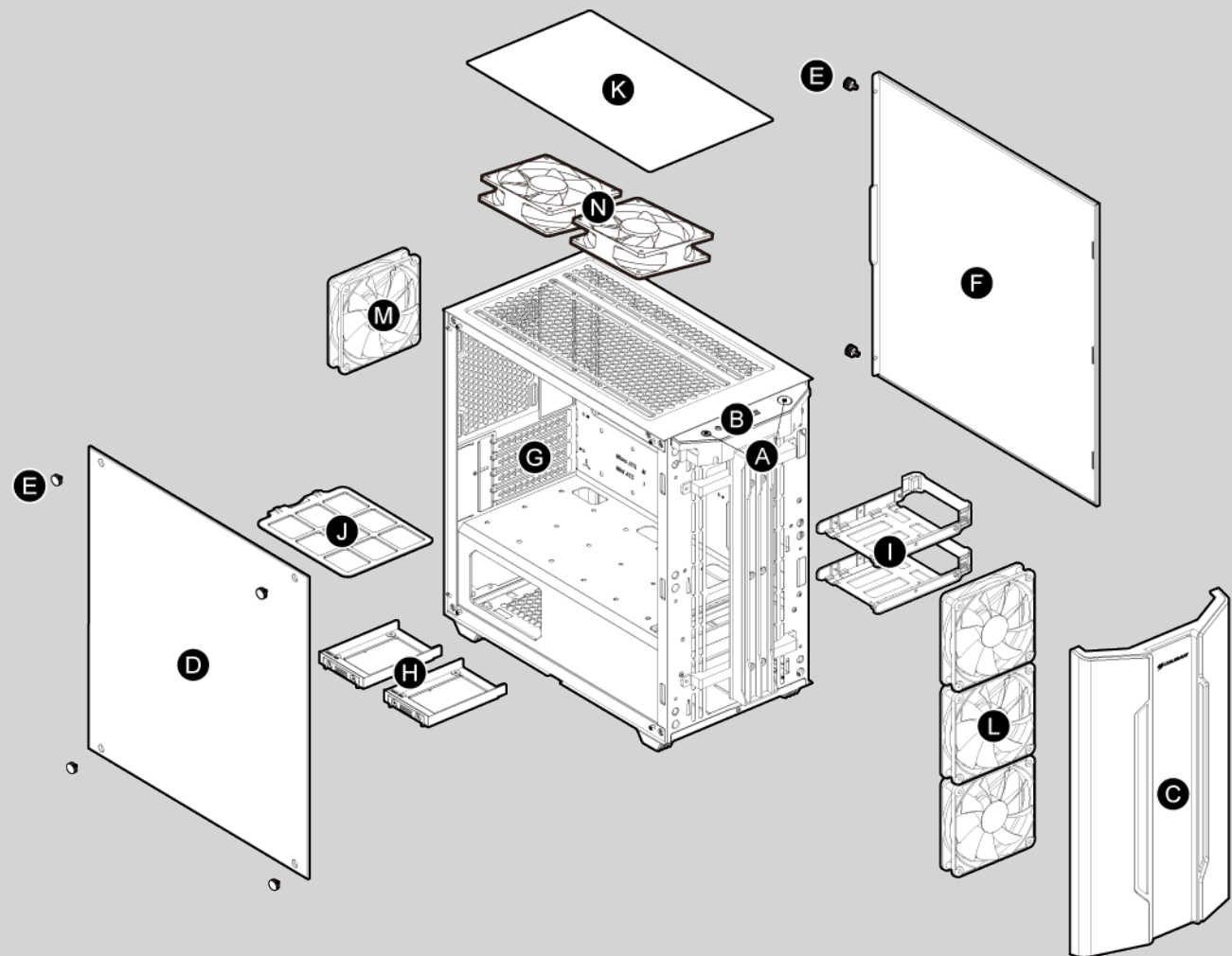
INCREDIBLE STORAGE

Up to two 3.5" HDDs and two 2.5" SSDs or four 2.5" SSDs will provide you with all the storage you need to install games and store all kinds of media.

Case Type	Mini Tower
Motherboard Type	Mini ITX / Micro ATX
Dimensions	210 (W) x 423 (H) x 400 (D)mm / 8.27 (W) x16.65 (H) x 15.75 (D)inch
Case Drive Bays	3.5" : 2 2.5" : 2+2 (converted from 3.5" drive bays)
I/O Panel	USB3.0 x 1 , USB2.0 x 1 , Mic x 1 , Audio x 1 , RGB Control Button
Cooling Fan Support	Front : 120mm x 3 / 140mm x 2 Top : 120mm x 2 / 140mm x 2 Rear : 120mm x 1 (pre-installed)
Maximum Number of Fans	6 Max.
Water Cooling Radiator Support	Front : 280mm / 240mm / 140mm / 120mm Top : 240mm / 140mm / 120mm Rear : 120mm
Expansion Slots	4
Max. Graphic Card Length	330mm / 12.99inch
Max. CPU Cooler Height	175mm / 6.89inch
PSU	Standard ATX PS2
Max. PSU length	160 (mm) / 6.3 (in)
Onboard Lighting System	Trelux Lighting with Addressable RGB LEDs and Dynamic Lighting Effects in the Front Panel

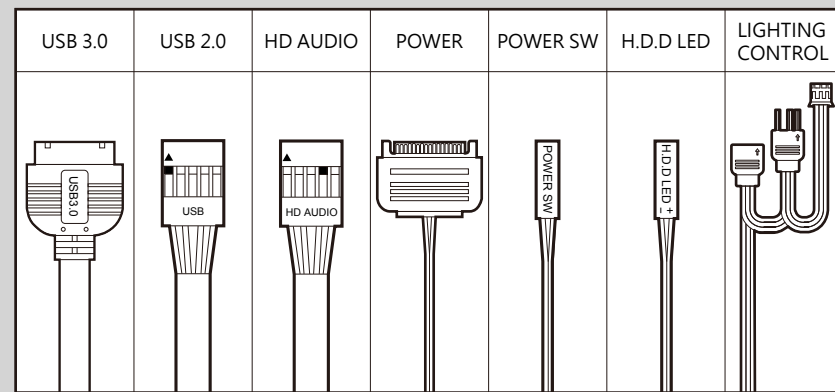
Specifications might vary depending on the country or region of sale.

Assembly Drawing



- A** Power button / RGB Control Button
- B** USB3.0 x 1,USB2.0 x 1 , Mic x 1, Audio x 1
- C** Removable front panel
- D** Tempered glass side cover
- E** Thumb screws
- F** Right side cover
- G** Slot covers
- H** 2.5" HDD/SSD trays
- I** 3.5" HDD trays (compatible for 2.5" HDD/SSD)
- J** Air filter on bottom cover
- K** Air filter on top cover
- L** 2 x 140 / 3 x 120mm fans for front panel (optional)
- M** 120mm fan for rear panel (pre-installed)
- N** 2 x 140 / 2 x 120mm fans for top panel (optional)

Installing the Front I/O Connectors



FEATURES

ENGLISH

- Trelux RGB System with 5V RGB Motherboard Synchronization
- Support for Micro ATX / Mini ITX Motherboards
- Up to Two 330mm Graphics Cards
- Up to Six Fans (1 Standard Fan Preinstalled)
- Up to Three Water Cooling Radiators (Up to 280mm)
- Support for Two 3.5" HDDs and Two 2.5" SSDs or Four 2.5" SSDs.

DEUTSCH

- Trelux-RGB-System mit 5-V-RGB-Motherboard-Synchronisierung
- Unterstützt Micro-ATX/Mini-ITX-Motherboards
- Bis zu zwei 330-mm-Grafikkarten
- Bis zu sechs Lüfter (1 Standardlüfter vorinstalliert)
- Bis zu drei Wasserkühlungsradiatoren (bis zu 280 mm)
- Unterstützt zwei 3,5 Zoll-Festplatten und zwei 2,5 Zoll-SSDs oder vier 2,5 Zoll-SSDs

РУССКИЙ

- Система Trelux RGB с 5-вольтовой синхронизацией подсветки с материнской платой
- Поддержка материнских плат формата Micro ATX / Mini ITX
- До двух 330-мм графических карт
- До шести вентиляторов (предустановлен 1 стандартный вентилятор)
- До трех водоохлаждающих радиаторов (до 280 мм)
- Поддержка двух 3.5-дюймовых жестких дисков и двух 2.5-дюймовых SSD накопителей или четыре 2.5-дюймовых SSD накопителей.

ESPAÑOL

- Sistema Trelux RGB con Sincronización para Motherboard RGB de 5V
- Soporte para Motherboards Micro ATX / Mini ITX
- Hasta dos Tarjetas Gráficas de 330 mm
- Hasta seis Ventiladores (1 ventilador estándar pre-instalado)
- Hasta tres Radiadores de Water Cooling (de hasta 280mm)
- Soporte para dos HDDs de 3.5" y dos SSDs de 2.5" o cuatro SSDs de 2.5"

POLISH

- System Trelux RGB zsynchronizowany z płytą główną RGB 5V
- Obsługa płyt głównych Micro ATX / Mini ITX
- Maksymalnie dwie karty graficzne 330 mm
- Maksymalnie 6 wentylatorów (1 wentylator standardowy fabrycznie)
- Maksymalnie 3 radiatory chłodzenia wodnego (do 280 mm)
- Obsługa dwóch dysków twardych 3,5" i dwóch SSD 2,5" albo cztery SSD 2,5".

日本語

- "Trelux RGBシステム"は5VのマザーボードのRGB効果に同期します。
- Micro-ATX とMini-ITXマザーボードに対応しています。
- 最大2つの330mmグラフィックカードに対応できます。
- 最大6個のファンを装着できます。(1個のファンをリアカバーにセットしている)
- 3つの水冷ラジエーターを装着可能です。(280mmの水冷ラジエーターを装着可能)
- 2つの3.5-インチのHDD(或いは2つの2.5" SSDs)と4つの2.5" SSDを装着できます。

FRANÇAIS

- Système RVB Trelux avec synchronisation carte mère RVB 5 V
- Prise en charge de cartes mères Micro ATX / Mini ITX
- Jusqu'à deux cartes graphiques 330 mm
- Jusqu'à six ventilateurs (1 ventilateur standard préinstallé)
- Jusqu'à trois radiateurs de refroidissement par eau (Haut jusqu'à 280 mm)
- Prise en charge de deux disques durs 3,5" et deux SSD 2,5" ou quatre SSD 2,5".

PORTUGUÊS

- Sistema Trelux RGB com Sincronização para Placa Mãe RGB de 5V
- Suporte para Placas Mães Micro ATX / Mini ITX
- Até duas Placas de Vídeo de 330mm
- Até seis Ventoinhas (1 ventoinha padrão pré-instalada)
- Até três Radiadores de Water Cooling (Em cima até 280mm)
- Suporte para dois HDDs de 3.5" e dois SSDs de 2.5" ou quatro SSDs de 2.5"

HUNGARIAN

- Trelux RGB rendszer 5 V-os RGB alaplap szinkronizálásával
- Támogatás Micro ATX / Mini ITX alaplapokhoz
- Max. két 330 mm-es grafikus kártya
- Max. hat ventilátor (1 szabványos ventilátor gyárilag telepítve van)
- Max. három vízhűtő radiátor (fent 280 mm-ig)
- Támogatás két 3.5"-os HDD-hez és két 2.5"-os SSD-hez vagy négy 2.5"-os SSD-hez

ITALIANO

- Sistema Trelux RGB con sincronizzazione scheda madre RGB 5V
- Supporto per schede madri Micro ATX / Mini ITX
- Fino a due schede grafiche da 330 mm
- Fino a sei ventole (1 ventola standard preinstallata)
- Fino a tre radiatori di raffreddamento ad acqua (280 mm)
- Supporto per due HDD da 3.5" e due SSD da 2.5" o quattro SSD da 2.5".

한국어

- 5V RGB 마더보드 동기화를 지원하는 Trelux RGB 시스템
- Micro ATX / Mini ITX 마더보드 지원
- 최대 2개의 330mm 그래픽 카드 장착 가능
- 최대 6개의 팬 설치 가능 (1개의 기본 팬 내장)
- 최대 3개의 수냉식 라디에이터(280mm)
- 3.5" HDD 2개와 2.5" SSD 2개 또는 2.5" SSD 4개 지원

中文

- Trelux RGB系统支持5V主板灯效同步控制功能
- 支持Micro ATX / Mini ITX 主板
- 最高可安装 2组 330mm 显卡
- 最高支持6个风扇(背板预装1个风扇)
- 最高可安装 3个水冷散热器(支持最大长度 280mm 水冷排)
- 支持2个 3.5" HDD硬盘(可转换为2个2.5"SSD硬盘)与4个 2.5" SSD硬盘

ACCESSORY KIT

		Motherboard/SSD screws	X 25
		Power supply screws	X 5
		Stand-off	X 4
		Cable ties	X 5

DATA ИЗГОТОВЛЕНИЯ ПРОДУКЦИИ

год и месяц изготовления продукции указаны в серийном номере продукта. (существует 2 способа определения даты изготовления, оба способа описаны ниже)

A После S/N: первые две цифры означают год, вторые две – месяц изготовления. Например, S/N: H1702000001 означает, что товар был произведен в феврале 2017 года.

B После S/N: если указаны буквы, то две буквы представляют цифры из таблицы ниже,и означают год, последующие две цифры – месяц изготовления. Например, S/N: DAG02REV1000001 означает, что товар был произведен в феврале 2017 года.

A	B	C	D	E	F	G	H	I	J
1	2	3	4	5	6	7	8	9	0

• Например, AG = 17 = 2017 год

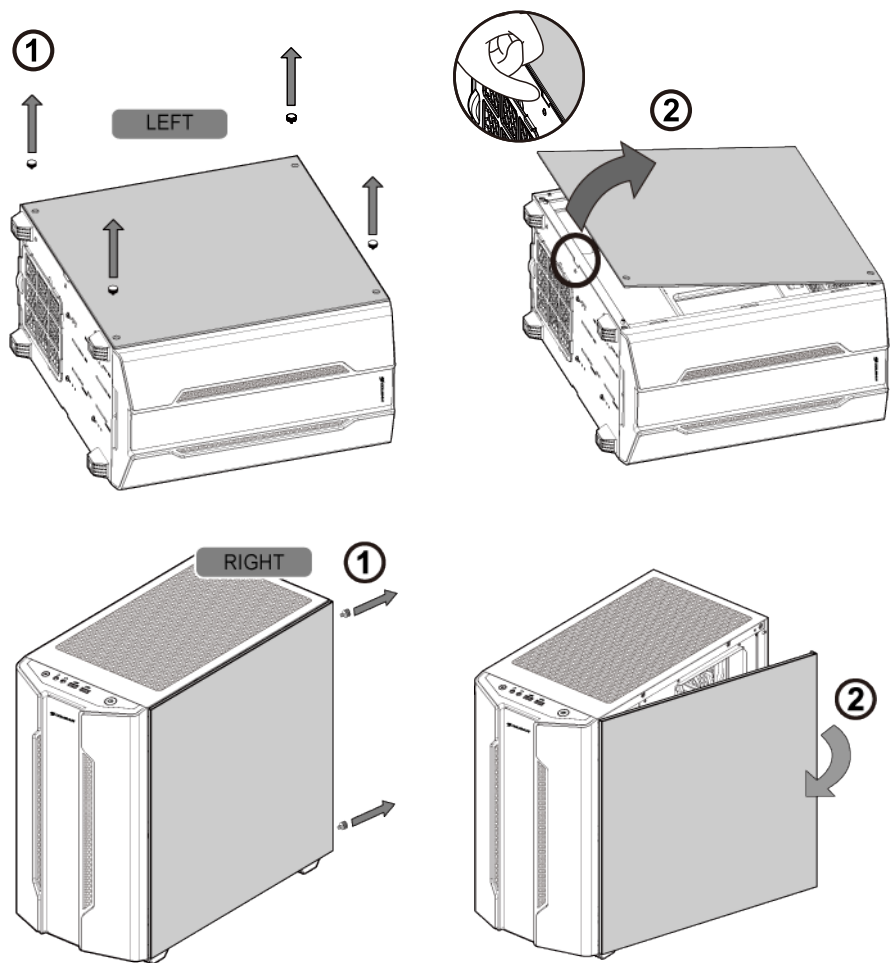
تعليمات التركيب و الأمان:
 عند التركيب أو التفكيك يجب التأكد من أن جميع الأسلاك مفصولة عن الكهرباء.
 يجب اتخاذ الاحتياطات اللازمة لمنع الصعق الكهربائي.
 يجب ارتداء الملابس المناسبة أثناء تركيب/ تجميع الكمبيوتر.

GLOBAL WARRANTY POLICY

WARRANTY PERIODS OF COUGAR GAMING DEVICES
 Product : COUGAR Gemini M
 Warranty : 1 Year
 • This warranty gives you specific legal rights. You may also have other rights granted under local law. These rights may vary.
 • Only for electrical components.

Removing the side panels

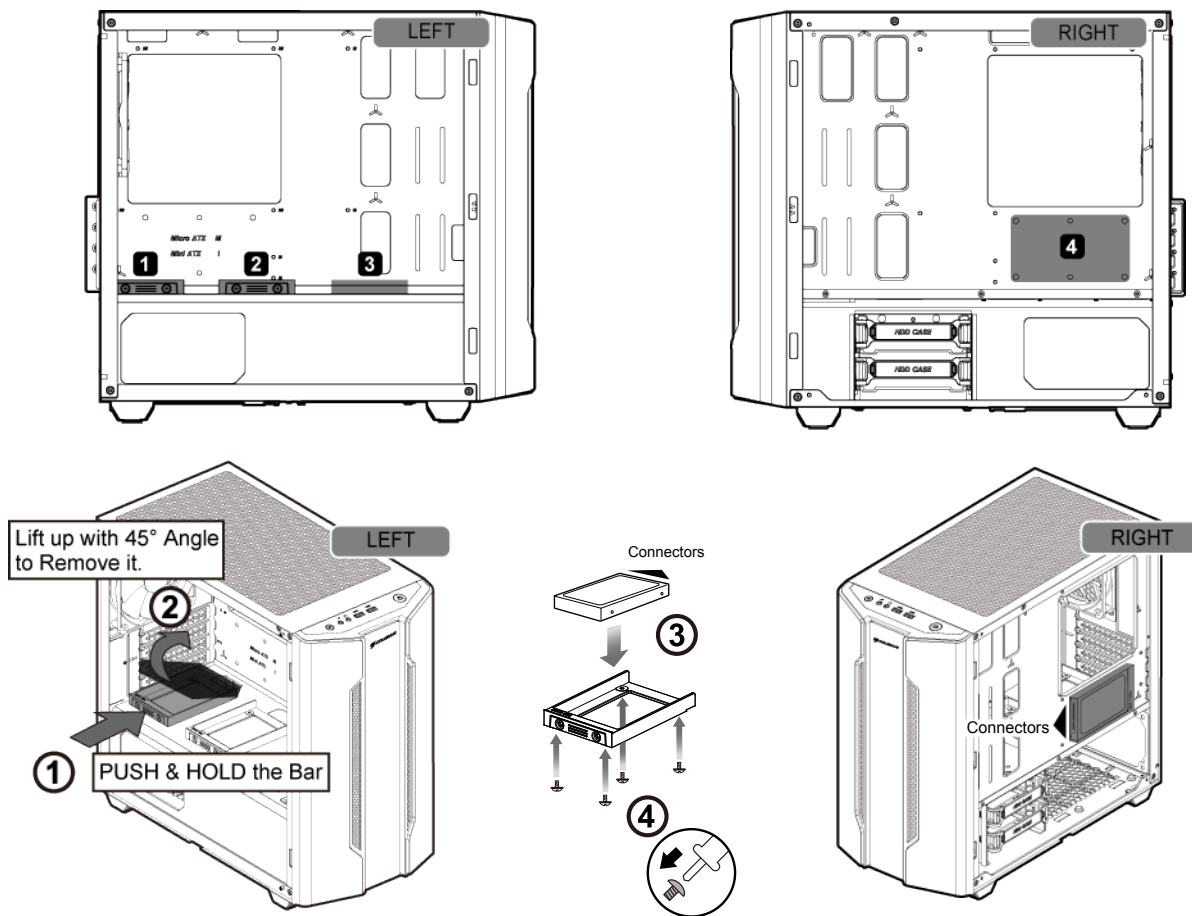
*Note: Please lay the case down flat when you remove or install the tempered glass panel.



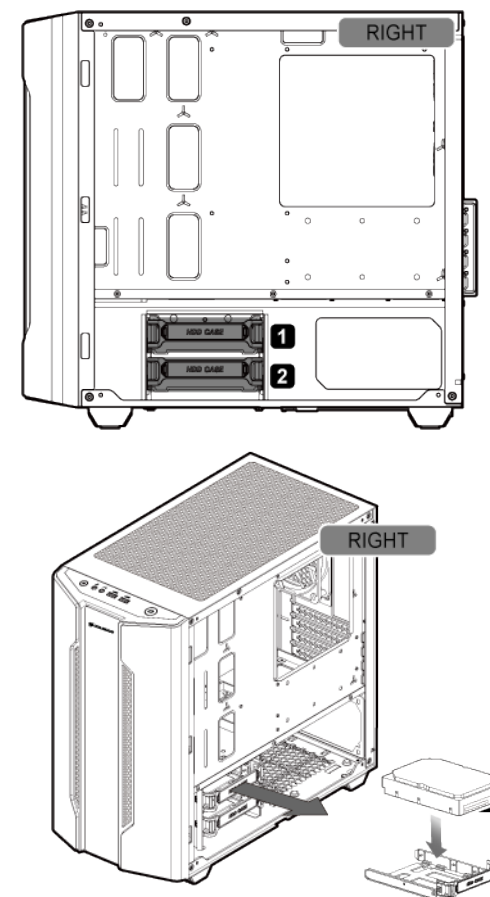
Installing an internal 2.5" HDD/SSD

Install with trays

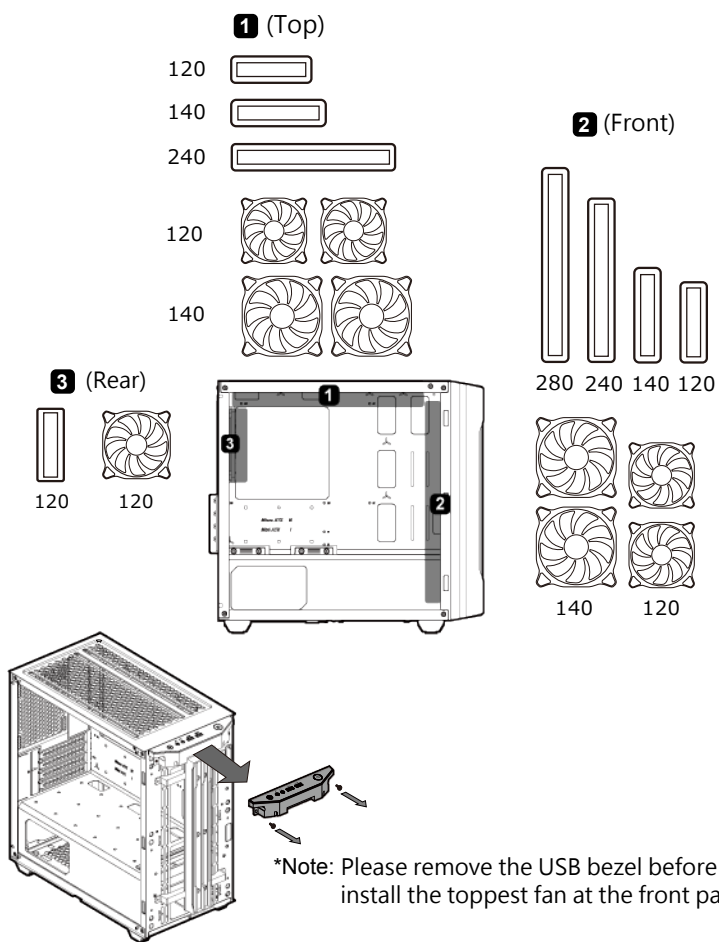
(There are two SSD trays in this case. Please select two locations you prefer to install.)



Installing an internal 3.5" HDD



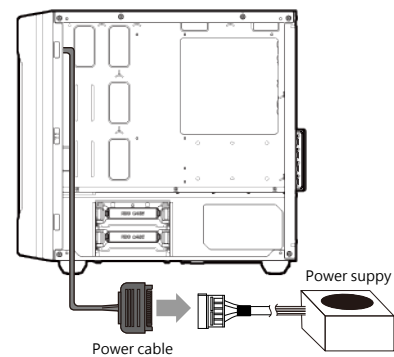
Installing water cooling radiators & cooling fans



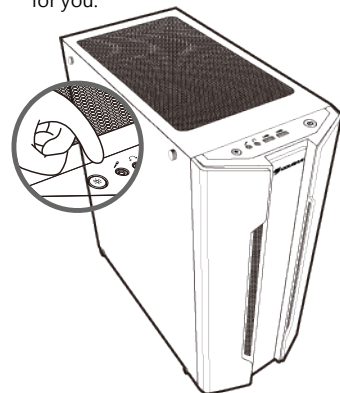
*Note: Please remove the USB bezel before you install the toppest fan at the front panel.

Gemini M's Trelux lighting system offers you several ways to control it:

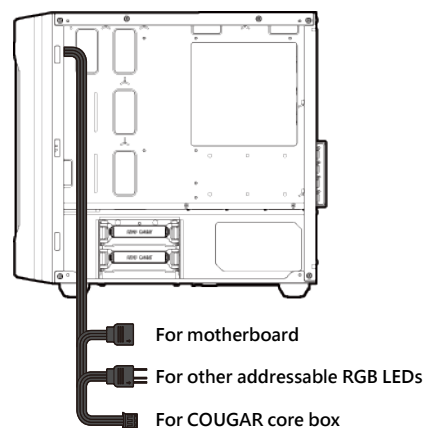
Please connect the power cable of the I/O panel to an appropriate SATA connector from the PSU in order to use the case's lighting functionality.



First Mode: Lighting Button
You can use the front panel's dedicated button to switch between the fourteen beautiful lighting effects we have preset for you.

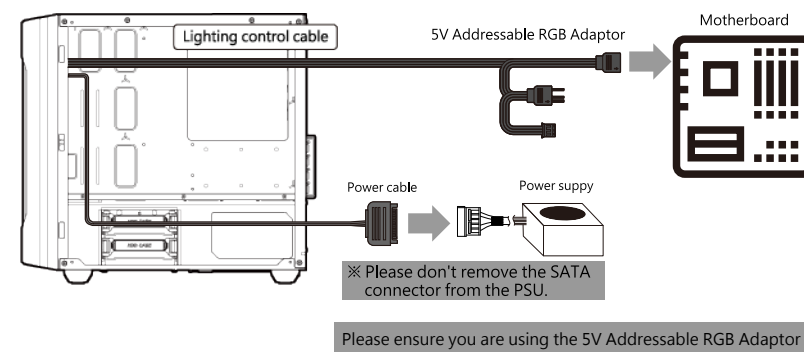


Lighting Control Cable Instructions



Second Mode: Motherboard Synchronization

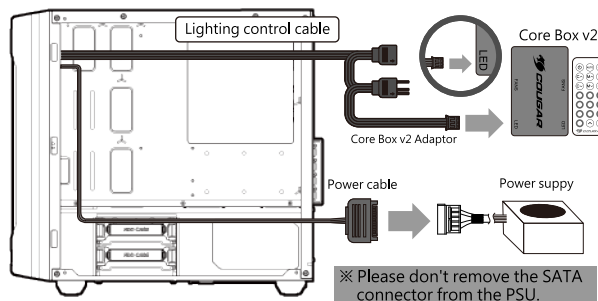
Second, you can use the included adaptor (see picture below) to connect the Trelux system to a compatible motherboard's 3-pin 5V Addressable RGB header and enjoy system-wide RGB synchronization.



Please ensure you are using the 5V Addressable RGB Adaptor

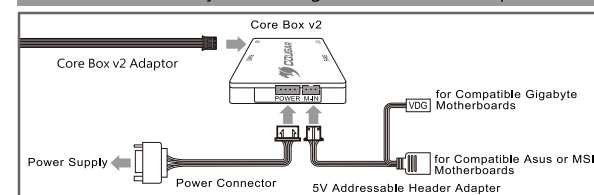
Third Mode: Core Box v2

You can also benefit from integrated control of Gemini M's Trelux lighting system, up to eight fans and two RGB LED Strips by connecting the case with the included adaptor to a COUGAR Core Box v2 (sold separately). This control box will allow you to enjoy 100 different synchronized lighting effects in all the above devices and manage them through the remote controller. As an alternative, you can also connect the Core Box v2 to a compatible motherboard's 3-pin 5V Addressable RGB header for system-wide synchronization.



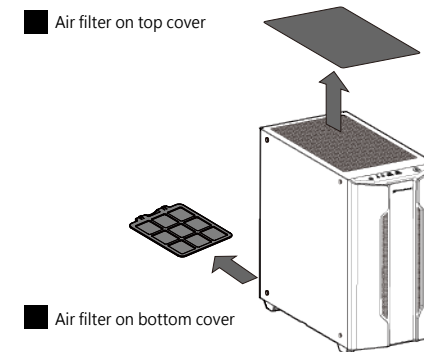
Please don't remove the SATA connector from the PSU.

Please ensure you are using the Core Box v2 Adaptor

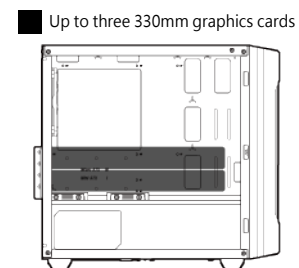


Note: When using the Trelux lighting in the second or third modes, the lighting control button will have no functionality assigned to it.

Removing the dust filters



Installing PCI-E cards



COUGAR USA Technical Service
Tel: (833) 256-3778
Mail: rma@compucaseusa.com
https://cougargaming.com/support/contact/upload/

Compucase Enterprise Co.,Ltd.
No. 225, Lane 54, An Ho Road Sec. 2 Tainan, Taiwan, R.O.C
Tel: +886-6-356-0606
Service E-Mail: service@cougargaming.com

For more information, please visit
www.cougargaming.com
Compucase Enterprise Co.,Ltd.
All rights reserved.

