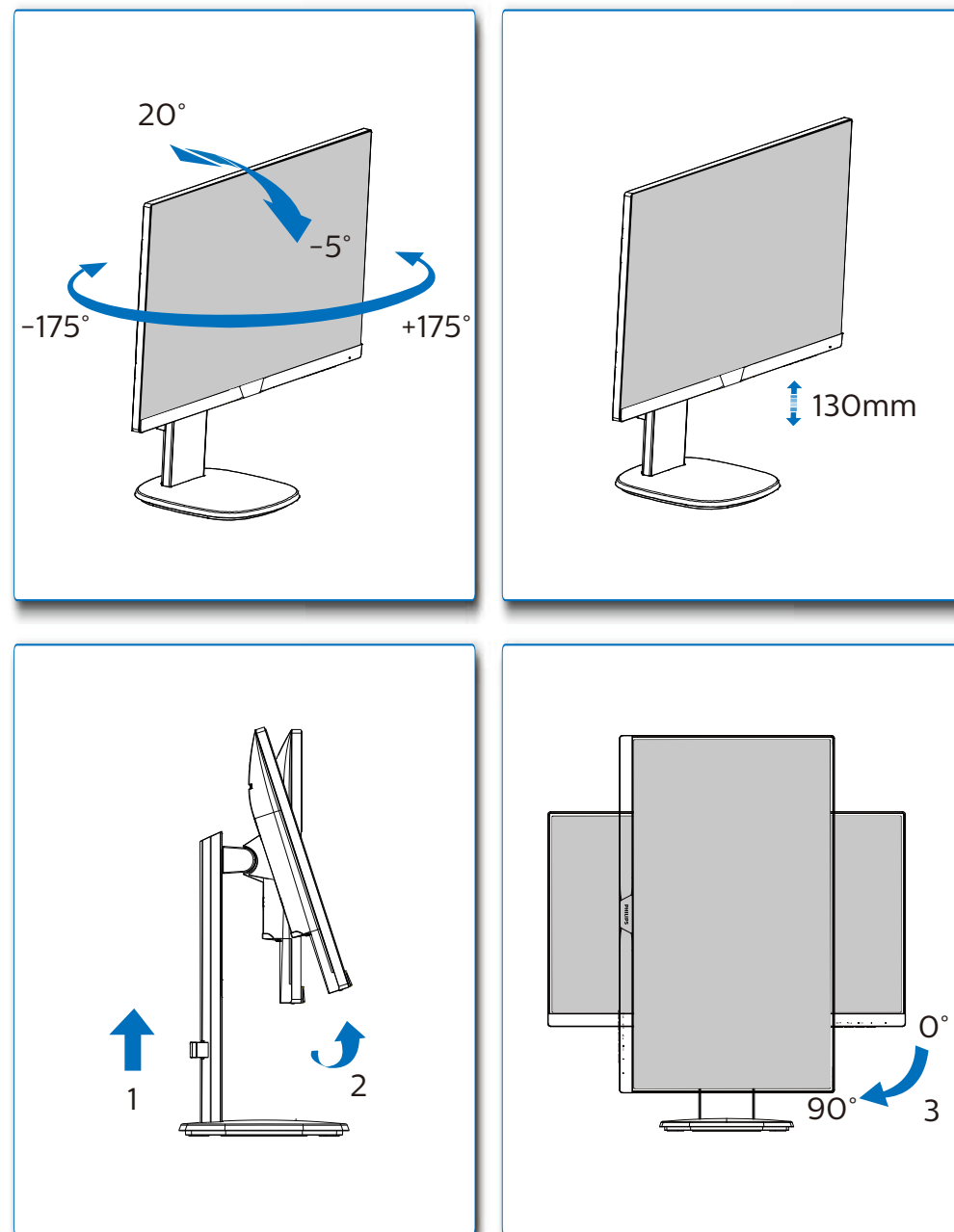


GRAPHIC DEVELOPMENT MMD	
Product name	
Project name	
Project no.	
Finishing	Folded sheet
Scale	1:1
Size Spreads	594 (W) x 210 (H) mm
Size	148.5 (W) x 210 (H) mm
Operator(s)	
Date amended	May. 18, 2016
VERSION No.	
APPROVAL	
QC Lithographer	
Product Manager	
Date Check	
ARTWORK DOCUMENT	
Paper	80gsm White, woodfree coated
Numbers of colours	2C2C
Spotcolor	
Aftertreatment	
<input type="checkbox"/> Cropping	
<input type="checkbox"/> Coating	
<input type="checkbox"/> Varnishing	
<input type="checkbox"/> Embossing	
<input type="checkbox"/> Cutterguide	
<input type="checkbox"/> Die-cut	
<input type="checkbox"/> Binding	
<input type="checkbox"/> Glue	

4



**EN Need help?**

Online help: [www.philips.com/support](http://www.philips.com/support)  
 需要帮助?  
 在线帮助: [www.philips.com/support](http://www.philips.com/support)

**FR Besoin d'Aide ?**  
Aide en ligne: [www.philips.com/support](http://www.philips.com/support)

**UK Потребуєте допомоги?**  
Підтримка он-лайн: [www.philips.com/support](http://www.philips.com/support)

**ES ¿Necesita ayuda?**  
Ayuda en línea: [www.philips.com/support](http://www.philips.com/support)

**RU Нужна помощь?**  
Интерактивная справка:  
[www.philips.com/support](http://www.philips.com/support)

**DE Benötigen Sie Hilfe?**  
Online-Hilfe: [www.philips.com/support](http://www.philips.com/support)

**TR Yardıma ihtiyacınız var mı?**  
Online yardım: [www.philips.com/support](http://www.philips.com/support)

**IT Avete bisogno di aiuto?**  
Guida in linea: [www.philips.com/support](http://www.philips.com/support)

**HI क्या सहायता की जरूरत है?**  
ऑनलाइन सहायता: [www.philips.com/support](http://www.philips.com/support)

**BR Precisa ajuda?**  
Ajuda online: [www.philips.com/support](http://www.philips.com/support)

**AR هل تريد المساعدة؟**  
[www.philips.com/support](http://www.philips.com/support) للمساعدة عبر الانترنت

**KO 도움이 필요하신가요?**  
온라인 도움말: [www.philips.com/support](http://www.philips.com/support)

**JP ヘルプが必要ですか?**  
オンラインヘルプ: [www.philips.com/support](http://www.philips.com/support)

Version: M72X3SQ1L  
 © 2017 Koninklijke Philips N.V. All rights reserved.  
 Specifications are subject to change without notice.  
 Philips and the Philips Shield Emblem are registered  
 trademarks of Koninklijke Philips N.V. and are used  
 under license from Koninklijke Philips N.V.



Printed in China



F41G22M181323B----

[www.philips.com](http://www.philips.com)

Register your product and get support at  
[www.philips.com/welcome](http://www.philips.com/welcome)

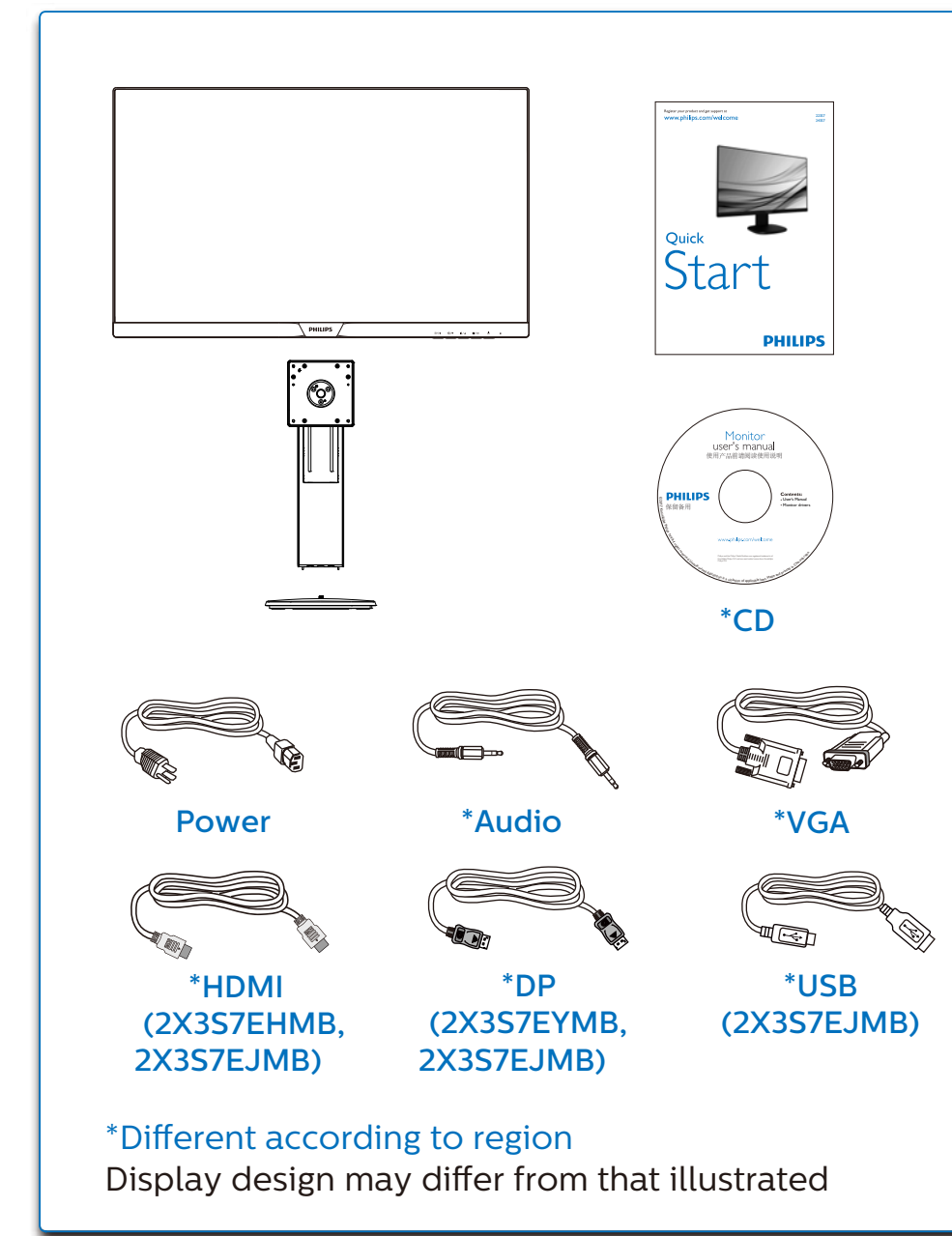
223S7  
243S7



# Quick Start

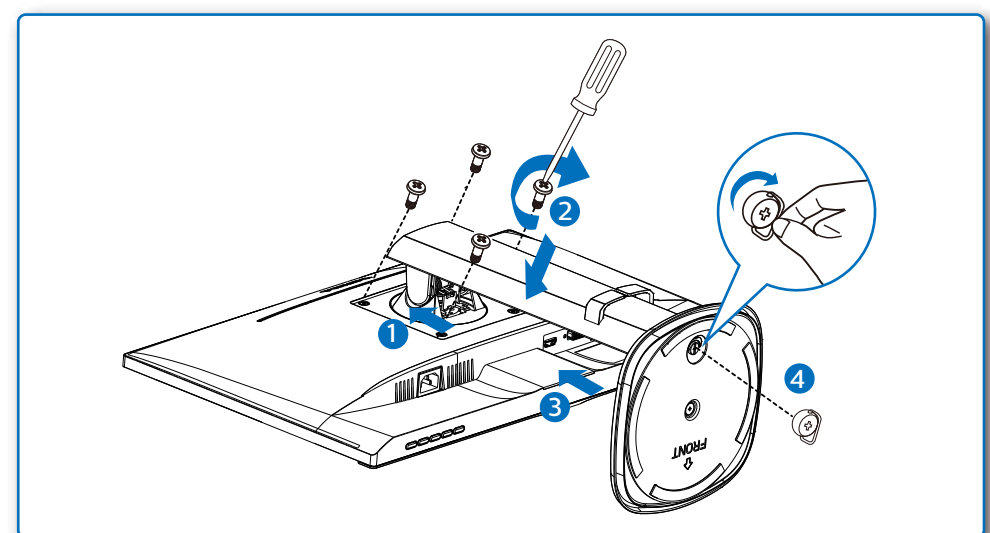


**PHILIPS**

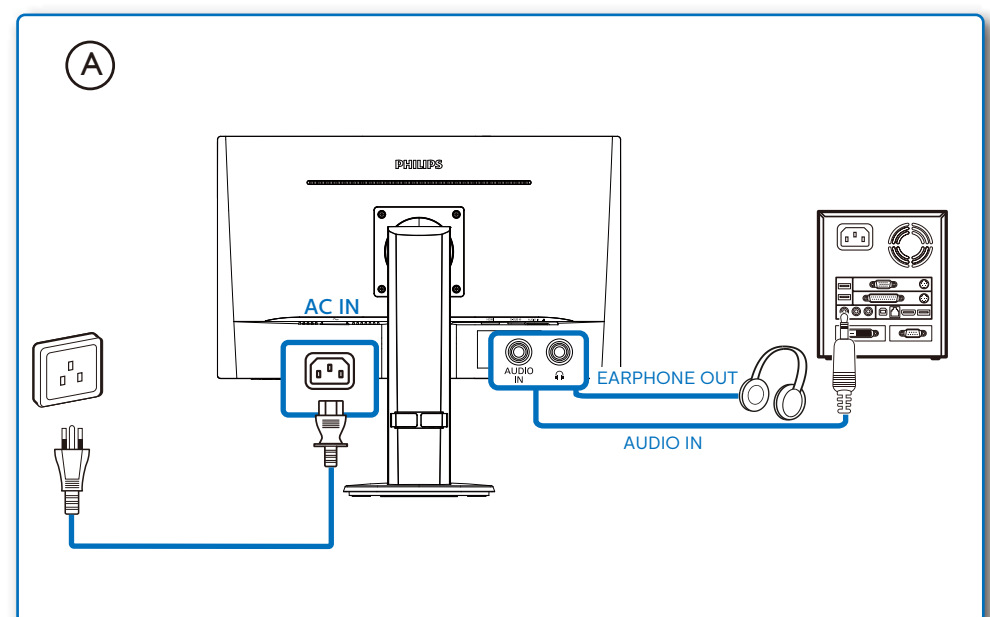


\*Different according to region  
 Display design may differ from that illustrated

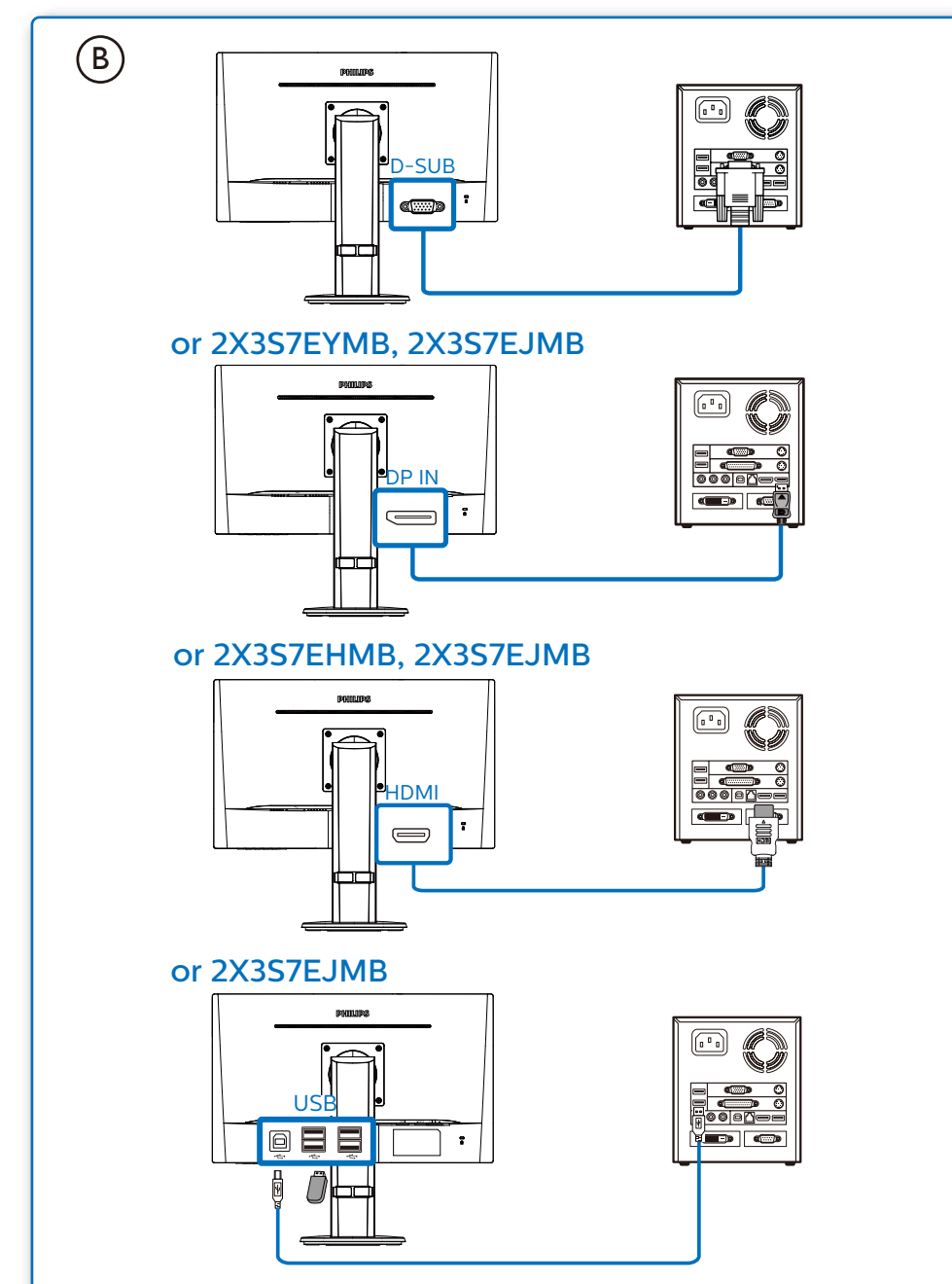
1



2



B



3

