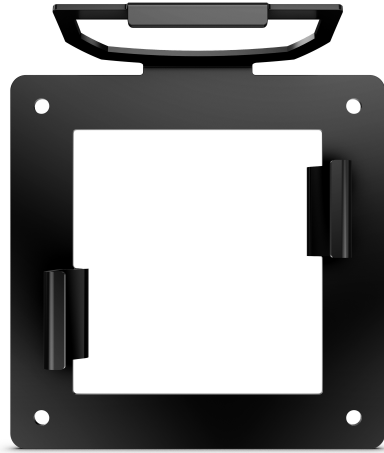


PHILIPS

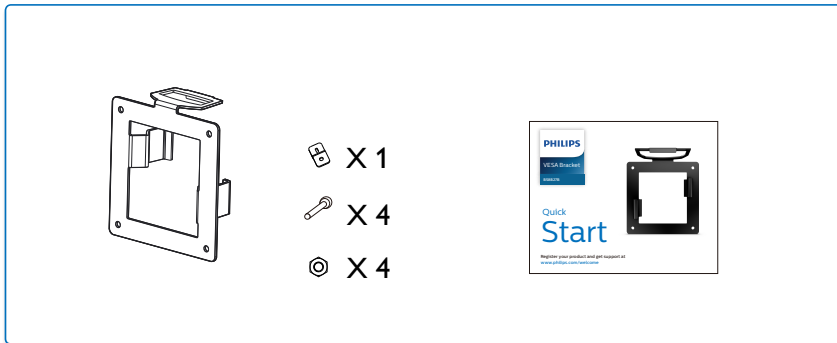
VESA Bracket

BS8B27B



Quick Start

Register your product and get support at www.philips.com/welcome



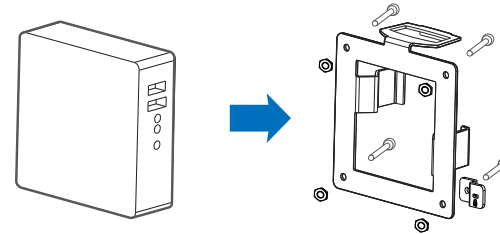
Version: M8BS8B27Q1T



Compatible with Philips Height Adjustment Base of 272B8****

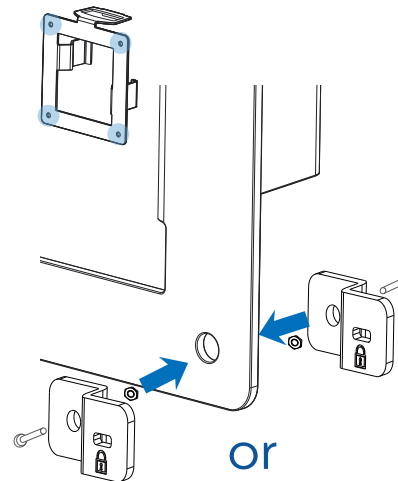
1

Align holes of VESA compliant device with those of bracket and screw up with the screws provided.



2

Kensington Lock.



3

Slide down the bracket with mounted device into Philips Height Adjustment base.

