

ViewBoard® 86" 4K Flagship Interactive Display

IFP8670

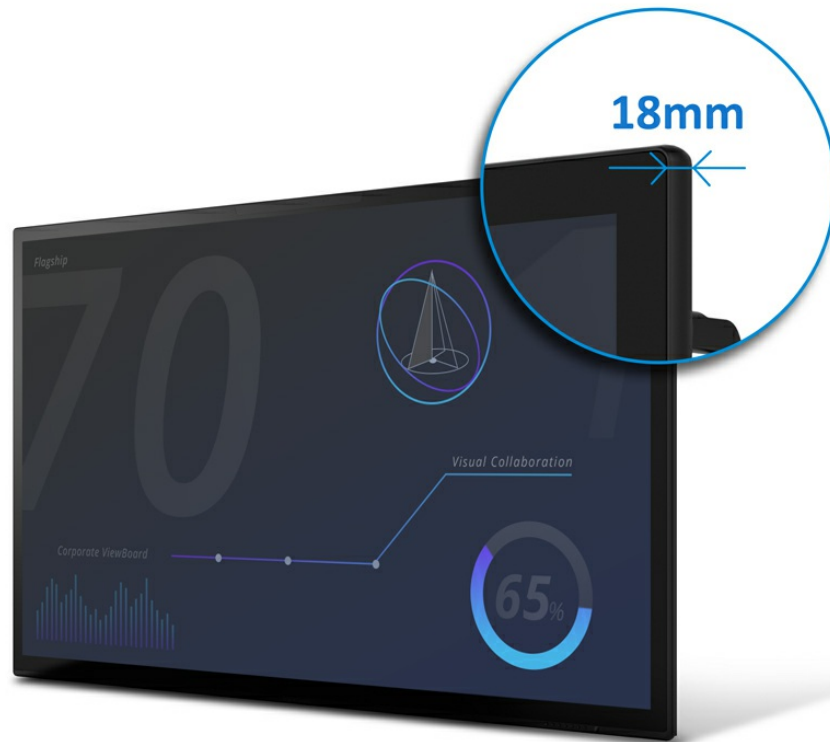


- Advanced Projected Capacitive (PCAP) touch technology
- Write Naturally and Accurately with Smart Active Pen
- Azure certified IoT sensor hub for workplace management
- Skype for Business certified FHD camera
- Single cable content sharing through USB Type C

The ViewBoard® IFP70, our flagship interactive display, is tailored for visual collaboration in a digital workplace. Adopting advanced Projected Capacitive (PCAP) touch technology, it has a frameless, flat touchscreen to deliver precise responsiveness and the most accurate touch experience. Together with the smart pen, it enables you to write naturally and accurately like a real pen on a 4K Ultra HD resolution screen, streamlining visual collaboration. The ViewBoard® IFP70 series has quick, easy connectivity for content sharing via USB-C cable or wireless ViewBoard® Cast. Furthermore, it has a high quality video conferencing solution for the remote workforce with certified FHD camera, 6 mic array and 2.1 speaker configuration. In addition, the ViewBoard® IFP70 series gives you extra security to keep your information safe, private and compliant. It has built-in, AWS-powered myViewBoard™ whiteboarding software and an optional Intel® vPro™ slot-in PC. The ViewBoard® IFP70 series is also equipped with IoT sensors, which meet Windows Collaboration Display standards. It can work with Microsoft Azure Digital Twins to monitor and optimise your smart meeting rooms and collaboration spaces.

Flat & Sleek Design for the Digital Workplace

Advanced Projected Capacitive (PCAP) touch technology - a direct-bonding glass touchscreen to deliver precise responsiveness and the most accurate experience.



Write Naturally and Accurately

Smart Pen - designed to feel like a real pen with an eraser.



Presentation Control

Smart Pen as a remote control to advance slides.



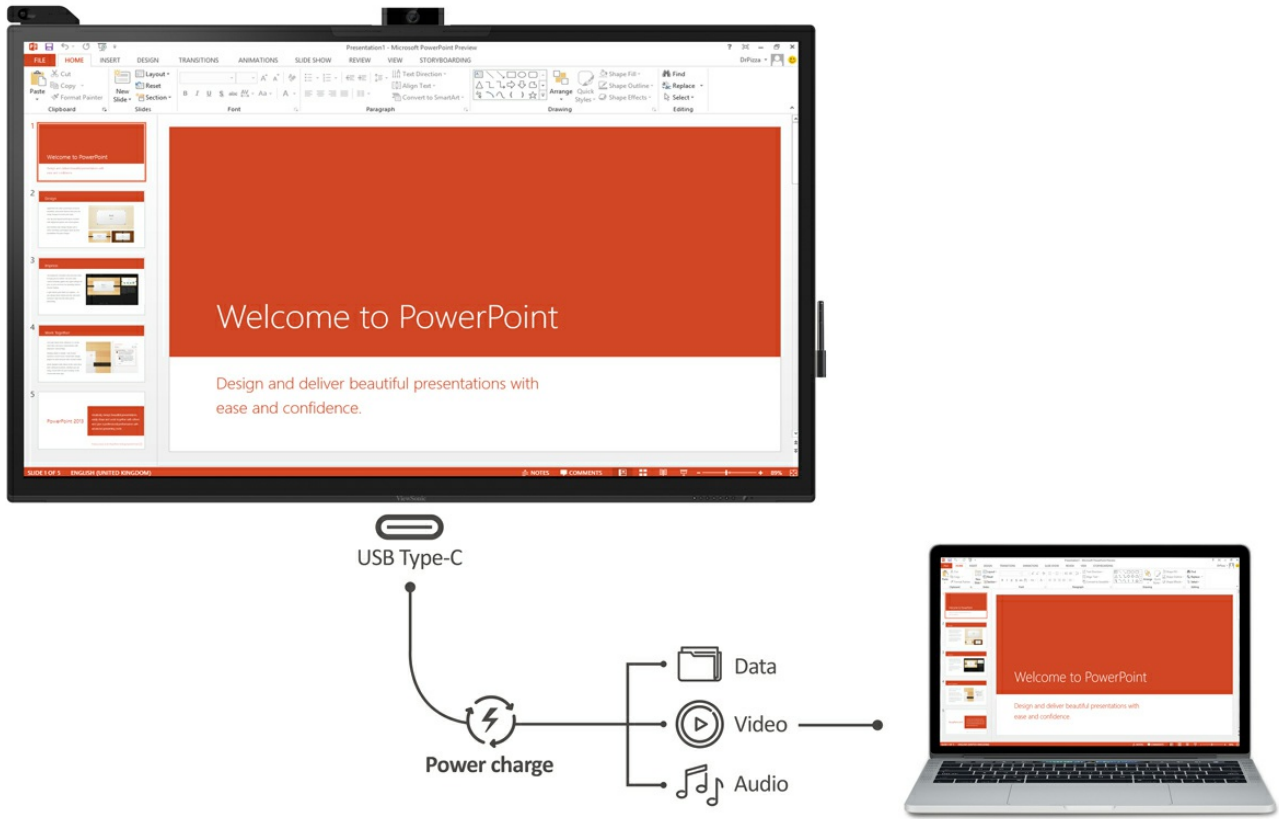
Spotlight



Slide control

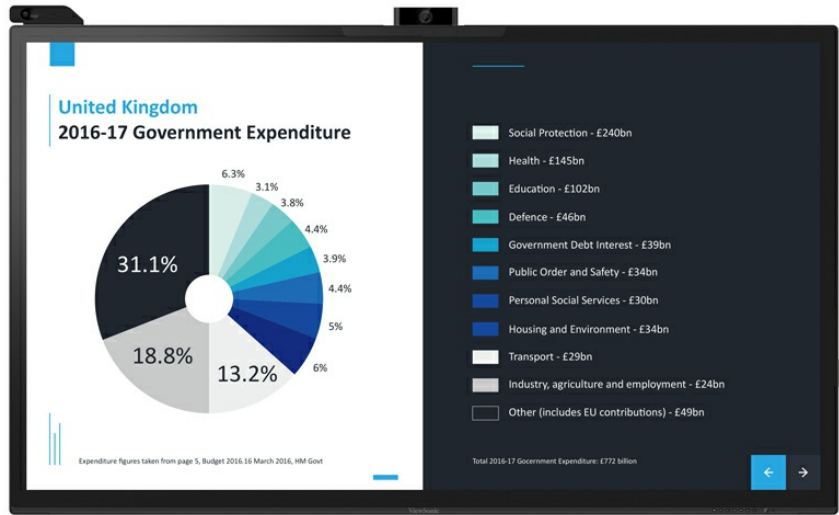
Single cable content sharing

USB-C - all-in-one cable for security, data, audio/video, Ethernet and power.



Wireless content sharing

ViewBoard® Cast - built-in app to present content wirelessly across devices.



High Quality Video Conferencing Solution

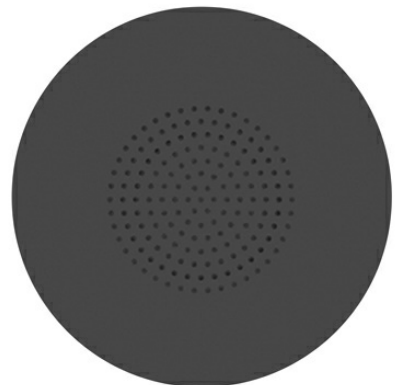
Tailor-made for remote workforce with certified FHD camera, 6 mic array and 2.1 speaker configuration.



Camera



6 array microphone



2.1 speakers

Cloud security

Built-in, AWS-powered myViewBoard™ whiteboarding software, which protects your data with cloud-powered security and encryption.



Windows Slot-in PC

Optional Intel® vPro™ slot-in PC, which protects your business with dedicated endpoint security.

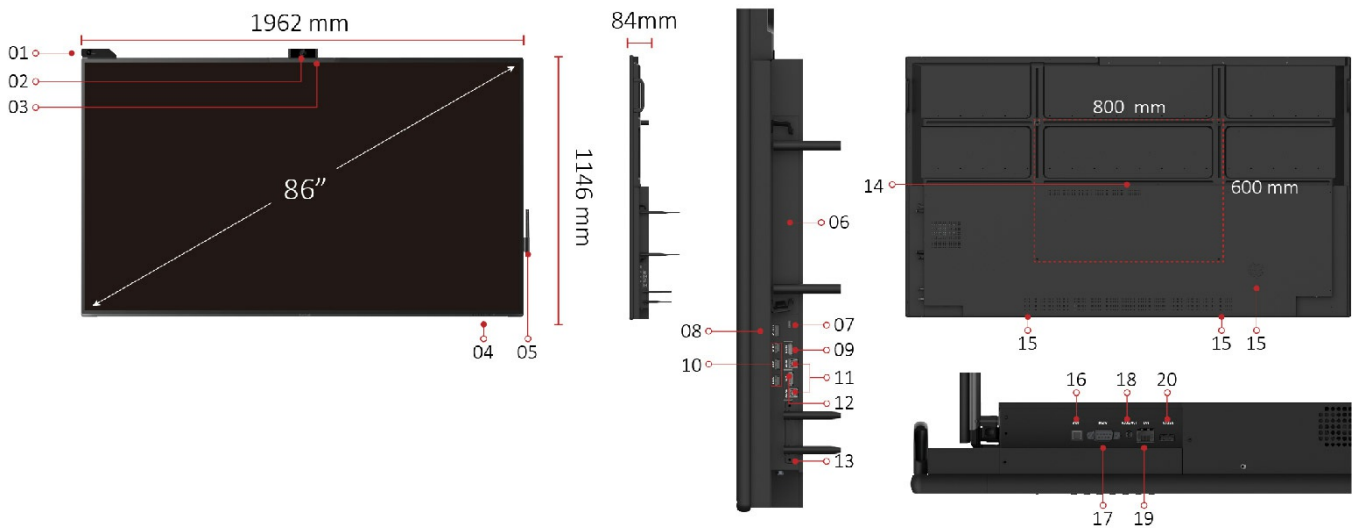


Digital Hub to Fulfill Workplace Management

Azure certified IoT sensor hub to detect motion, light, temperature, humidity, and proximity, enables you to analyze and optimise your valuable resources, reduce costs and enhance your connected spaces.



I/O Ports



1. Sensor Hub
2. Camera
3. 6 Array Microphone
4. Meun Controls
5. Smart Pen and Charger
6. Intel Unite® Certified OPS Slot
7. USB-C
(USB 3.0, DP 1.4 Alternate Mode, Ethernet, PD 60W)
8. HDMI Out
9. HDMI In
10. USB 3.0 X 3

11. Touch X 2
12. Display Port
13. WiFi Module Slot
14. VESA Wall Mount
800x600mm
15. 2.1 Speakers
16. SPDIF
17. RS232
18. Audio Out
19. LAN
20. USB 2.0

Technical Specifications

Display	Panel Size	86"
	Type/Tech	TFT LCD Module with DLED Backlight.
	Display Area (mm)	1895.04 (H) x 1065.96 (V) (85.6"diagonal)
	Aspect Ratio	16:9
	Native Resolution	UHD 3840x2160(Pixels)
	Colours	1.07B colours (10bit)
	Brightness	350 nits (typ.)
	Contrast Ratio	1200:1 Typ.
	Response Time	8ms
	Viewing Angles	H = 178, V = 178 typ.
	Backlight Life	30,000 Hours (Min)
	Surface Treatment	Anti-Glare/anti finger print
	Bezel	Slim
Orientation	Landscape	
Platform	Processor	Dual core A73+Dual core A53
	RAM	4GB DDR4
	Storage	32GB
Touch	Type/ Tech	PCAP
	Touch Resolution	32767 x 32767
	Touch Point	20 points touch, 10 points writing
INPUT	HDMI	2.0 x1 (3840x2160 @60Hz)
	DisplayPort	X1 1.4
	RS232	x1
	OPS	x1 PC Slot (proprietary)
OUTPUT	HDMI	X1(4K2K@60Hz)
	Audio	x1 (Earphone out)
	SPDIF	1(optical)
LAN	RJ45	x1
USB	Type A	USB 3.0 x3
	Type B	USB 3.0 x2, for touch
	Type C	x1 USB3.0, DP1.4 Alternate mode, Ethernet, PD 60W
SPEAKERS	SPEAKERS	10W x 2 + 15W x 1 subwoofer

Camera plate on top for screw-in webcam installation	Camera plate on top for screw-in webcam installation	Yes
COMPATIBILITY	CVBS	480i
	HDMI	3840x2160
Embedded OS	Embedded OS	Android 8
USB SUPPORTED FILE FORMAT	USB SUPPORTED FILE FORMAT	Picture - BMP, JPEG, PNG
		Video - Codec: MPEG1, MPEG2, MPEG2-PS, MPEG4, MKV Container: MPG, MP4, MOV, VOB, DAT, MKV
		Audio - Codec: AAC, HEAAC, MPEG1, MPEG2 Container: AAC, M4A, MP3
Bundle Software	Basic Annotation Software	myViewBoard for android
	Pro Annotation Software	myViewBoard for windows (Embedded in Windows Slot-in PC)
	Wireless Presentation with Touch Feedback: Viewboard Cast	Yes
	Zoom	Yes
	ViewSonic Launcher	Embedded
Special Features	All-in-one USB port (combine Windows/Android USB port; no need to distinguish them anymore)	Yes
	Simple LAN sharing between IFP and slot-in device	Yes
Power	Voltage	100-240VAC +/- 10% Wide Range
	Consumption	On:176.6W(Typ.) Off: <0.5W
ERGONOMICS	Wall Mount (VESA®)	800 x 600
OPERATING CONDITIONS	Temperature (° C)	0°C to 40°C
	Humidity	10% ~ 90% RH non-condensing
DIMENSIONS (W x H x D)	Physical (inch / mm)	1962X1146X84(mm) 77.24x45.11x3.3(inch)
	Packaging (inch / mm)	2123X1345X280(mm) 83.8X52.9X11(inch)
WEIGHT	Net (lb / kg)	160.93/73Kg
	Gross (lb / kg)	209.43/95Kg
REGULATIONS	REGULATIONS	FCC, cTUVus, CB, CE, RCM,
Energy Star version	Energy Star version	Under proceed apply to ES8.0
EEL rating	EEL rating	A+
ProAV certificate readiness	Crestron	75%
	Extron	20%
	AMX	0%
PACKAGE CONTENTS	PACKAGE CONTENTS	1. Power cable(3 meters) x 4 2. Remote control 3. AAA battery X2 4. USB cable Type C(1.5 meters pass logo) 5. activeTouch pen x 2 6. Pen Charger X1 7. Quick Start Guide

8. RS232 adapter
9. Clamp x 7
10. Camera
11. Screw x 6 (4 for wall mount ,2 for sensor hub)
12. HDMI cable -3M
13. Sensor hub
- 14 .Touch USB cable 3M
15. Micro USB cable for camera 2M

Compatible Slot-in PC

Compatible Slot-in PC

VPC14-WP series
VPC10-WP series
VPC15-WP series
VPC16-WP series
VPC17-WP series