



BT7002 ULTRA-SLIM SINGLE SCREEN PORTRAIT DIGITAL SIGNAGE KIOSK INSTALLATION GUIDE

This pack contains 1 Kiosk

PLEASE KEEP THIS FOR FUTURE REFERENCE



FEATURES

- Suitable for screens: from 27" - 65"
- Max load: 25kg
- VESA® and Non-VESA fixings: 200 x 200 up to 600 x 400
- 5mm thick heavy duty steel base
- Can be used freestanding or bolted to the floor
Screens over 55" must be bolted to the floor
- Simple 'hook-on' screen installation
- Depth of base / kiosk: 450mm / 104mm
Height and width of kiosk varies depending on the size of screen used
- Max screen depth: 50mm
- Removable front and rear panels for easy installation and maintenance
- Vented top and rear panels allow airflow to and from the device
- Lockable top panel helps prevent unauthorised removal of the screen
- Includes internal storage area in lower section for media players
- All mounting hardware included

* For indoor use only



TOOLS REQUIRED

Crosshead
screwdriver



B-TECH AUDIO VIDEO MOUNTS

HEAD OFFICE

B-Tech International Limited

Bennett House, Long March, Daventry, Northants., NN11 4NR, UK

Email: info@btechavmounts.com

©2017 B-Tech International Design and Manufacturing Limited. All rights reserved. B-Tech Audio Video Mounts is a division of B-Tech International Design & Manufacturing Ltd. B-Tech and Better By Design are registered trademarks of B-Tech International Design & Manufacturing Ltd. All other brands and product names are trademarks of their respective owners. Photographs are for illustrative purposes only EO&E, B-Tech International Design & Manufacturing Ltd, it's distributors and dealers are not responsible for damage or injury caused by improper installation, improper use, modifications, installations over the specified weight capacity and/or failure to observe these safety instructions. In such cases, any warranty will expire. It is recommended that this product should only be installed by a qualified professional / installer. For indoor use only. B-Tech does not claim any liability for any difficulties that may arise from the interpretation contained in these instructions. Failure to install this product correctly may lead to serious injury and/or death. Please check carefully to make sure there are no missing or defective parts - defective parts must never be used. In the event of missing and/or defective parts, or technical questions, please contact an authorised dealer.

www.btechavmounts.com

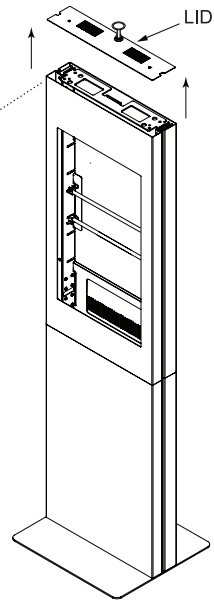
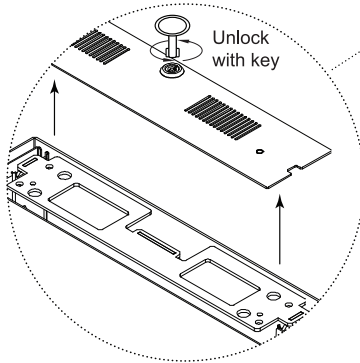
AMA-BT7002-V1-PROBX-0717-63 MADE IN THE UK

INSTALLATION INSTRUCTIONS

1

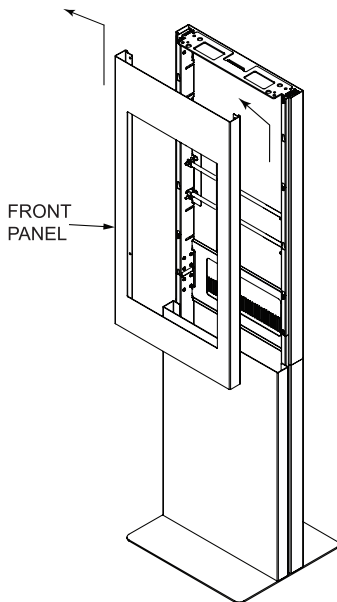
Removing Kiosk Trim Panels

- i. Unlock lid with provided key and remove.



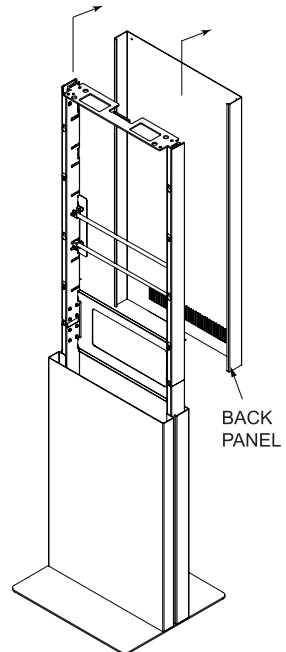
Remove Front Panel

- ii. Slide panel up and once bobbins align with their slots lift the panel forwards and away.



Remove Back Panel

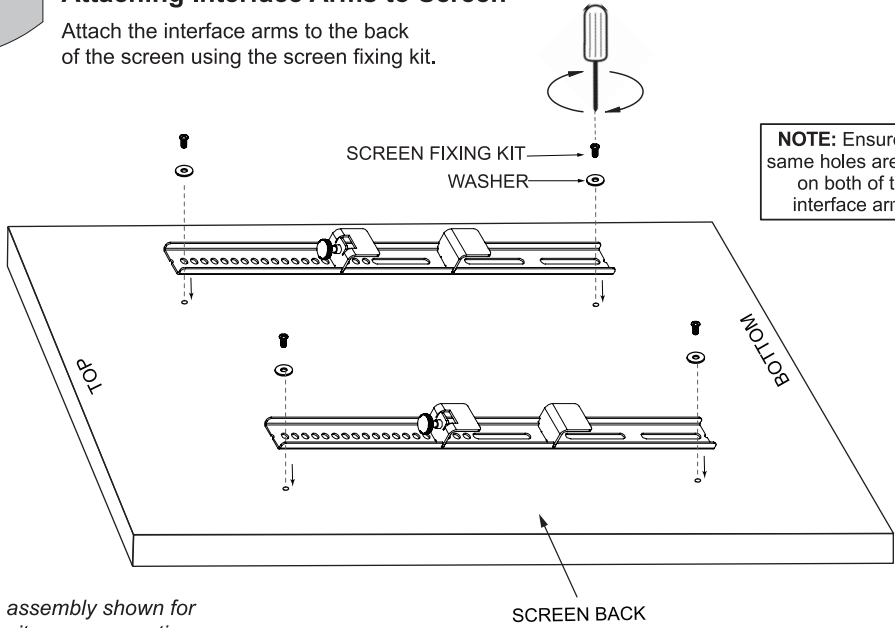
- iii. Lift back panel up, then pull away from the kiosk.



2

Attaching Interface Arms to Screen

Attach the interface arms to the back of the screen using the screen fixing kit.

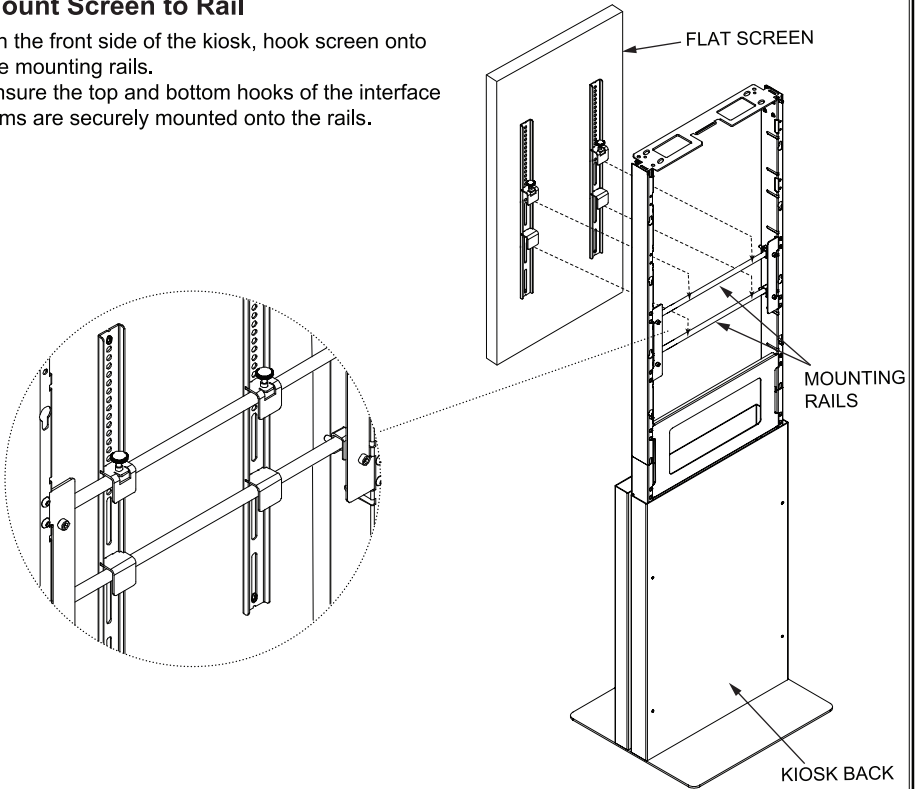


Arm assembly shown for portrait screen mounting

3

Mount Screen to Rail

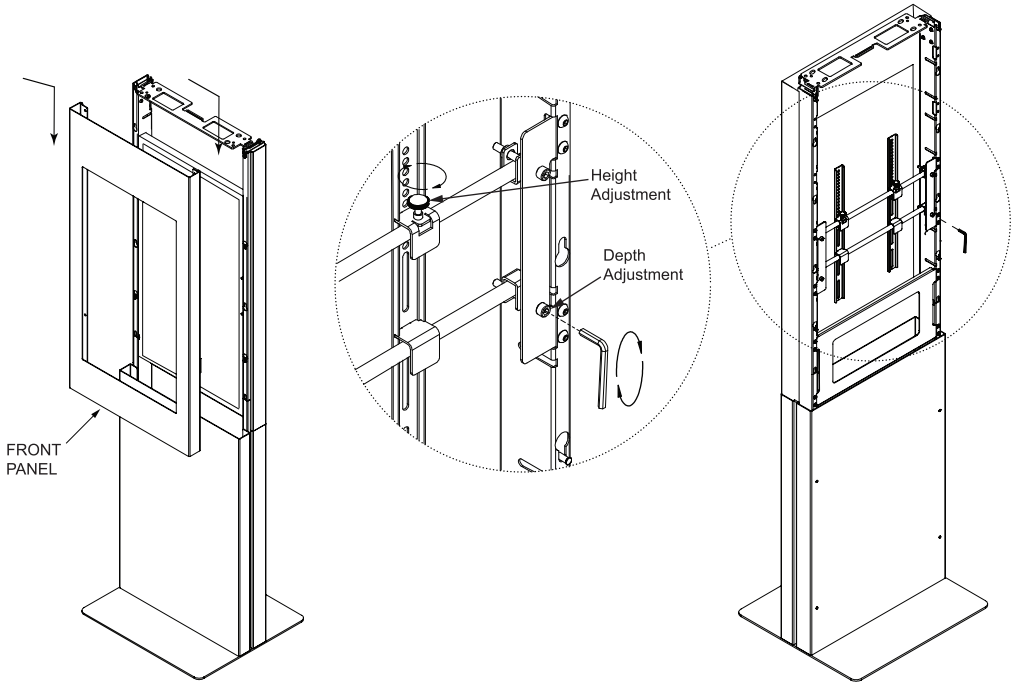
On the front side of the kiosk, hook screen onto the mounting rails. Ensure the top and bottom hooks of the interface arms are securely mounted onto the rails.



4

Return Front Panel and Align Screen with Window

- i. Fix front panel to the kiosk.
- ii. Access the interface arms from the back of the kiosk and align the flat screen to the front panel window. Use the allen screws on the mounting bracket for depth adjustment and the levelling knobs on the interface arm for height adjustment.



5

Return Back Panel to Kiosk and then Fix Lid

