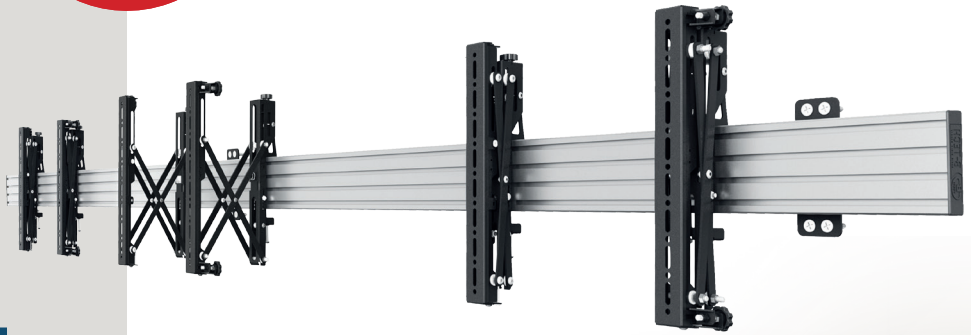




IDEAL FOR
RECESSED
INSTALLS

BT8331

UNIVERSAL POP-IN, POP-OUT MENU BOARD MOUNTING SYSTEM



The BT8331 is a modular wall mounting system for menu board installations of any size and features pop-in, pop-out interface arms designed to aid installation and allow access to the rear of the screens for servicing and maintenance. As part of the System X range, the BT8331 features a contemporary, lightweight yet incredibly strong design with a high-end aesthetic quality and 8-point micro-adjustment for seamless screen alignment.



SPECIFICATION	
Recommended screen size	32" - 65"
Max load	50kg (per screen)
Depth (with micro-adjustment)	119mm to 133mm
Depth (popped out with micro-adjustment)	298mm to 313mm
VESA® & non-VESA fixings (max vertical dimension)	400mm*
Colour (VESA arms)	Black
Colour (horizontal rail)	Silver

*The VESA specification of the BT8331 refers to the vertical dimension only. All System X interface arms can be positioned as far along the rail as necessary. It is also possible to increase the maximum vertical fixing to 600mm by using BT7564 interface adaptor arms (available separately). Please note that using these adaptors will increase the total depth on the install by 20mm.

FEATURES

- Universal design suitable for all sized screens up to 50kg (per screen)
- Features pop-in, pop-out function to allow access to the rear of screens for servicing and maintenance and to aid installation
- Tool-less micro-adjustments at 8 points for seamless display alignment
- Suitable for landscape or portrait mounting
- High-end aesthetic quality
- Safety screws help prevent unauthorised removal of screens
- Ideal for recess mounting menu boards
- Arms include locking screw to prevent accidental pop-out of screens
- Cable management included for a neat and tidy installation
- Multiple rail lengths available (rails can also be joined to create larger installs)



CREATE YOUR MOUNTING SYSTEM ONLINE

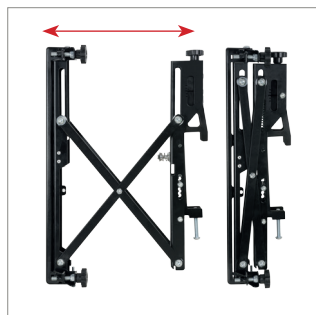
SPECIFY YOUR VIDEO WALL & MENU BOARD REQUIREMENTS ONLINE AND OUR SYSTEM X CONFIGURATION TOOL WILL CREATE A MOUNTING KIT TO SUIT YOUR NEEDS

There are thousands of System X configurations available! Visit our online configuration tool to specify setups, number of screens, number of rows and orientation.

Try now at www.btechavmounts.com/systemx-configurator



Tool-less micro-adjustment at 8 points for seamless display alignment



Push to open / push to close system provides quick and easy service access



Multiple rail lengths available (rails can also be joined to create larger installs)



Safety screws help prevent unauthorised removal of screens

