



**QUICK
AND EASY
INSTALLS**

BT8330

UNIVERSAL MENU BOARD MOUNTING SYSTEM



INAVATION AWARDS 2016
TECHNOLOGY FINALIST

The BT8330 is a modular wall mounting system for menu board installations of any size. The BT8330 can mount screens in landscape or portrait orientations with the option for tilt adjustment up to +20° for enhanced overhead visibility, perfect for fast food restaurants. As part of the System X range, the BT8330 can be used in thousands of different configurations and must be ordered according to your requirements using B-Tech's online configuration tool (see below, right).

SPECIFICATION

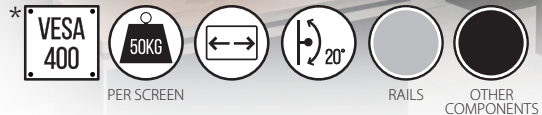
Recommended screen size	32" - 65"
Max load	50kg (per screen)
Depth	75mm up to 120mm
Tilt range (where applicable)	+20°
VESA® & non-VESA fixings	(max vertical dimension) 400mm*
Colour (VESA arms)	Black
Colour (Horizontal Rail)	Silver

*The VESA specification of the BT8330 refers to the vertical dimension only. All System X interface arms can be positioned as far along the rail as necessary. It is also possible to increase the maximum vertical fixing to 600mm by using BT7564 interface adaptor arms (available separately). Please note that using these adaptors will increase the total depth on the install by 20mm.

FEATURES

- Universal design suitable for all sized screens up to 50kg (per screen)
- High-end aesthetic quality
- Suitable for landscape or portrait mounting
- Choice of fixed or tilting interface arms available to suit a range of installs
- Can be used with BT8390-VESA400MAF micro-adjustment arms if desired
- Can be used to mount XXL screens with vertical fixings of 800mm**
- All arms feature levelling screws to adjust the screen height
- Tilting arms feature up to +20° tilt adjustment for enhanced overhead visibility
- Multiple rail lengths available (rails can be also be joined)

**Please see the BT8390-VESA800F interface arms on our website or contact your local sales representative for more details.

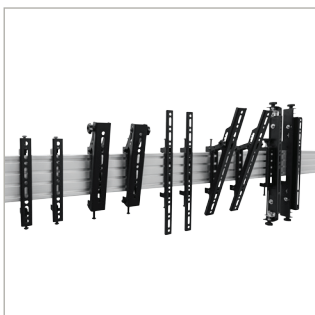


CREATE YOUR MOUNTING SYSTEM ONLINE

SPECIFY YOUR VIDEO WALL & MENU BOARD REQUIREMENTS ONLINE AND OUR SYSTEM X CONFIGURATION TOOL WILL CREATE A MOUNTING KIT TO SUIT YOUR NEEDS

There are thousands of System X configurations available! Visit our online configuration tool to specify setups, number of screens, number of rows and orientation.

Try now at www.btechavmounts.com/systemx-configurator



Choice of fixed or tilting interface arms available to suit a range of installs



Suitable for landscape or portrait mounting



Multiple rail lengths available (rails can also be joined to create larger installs)

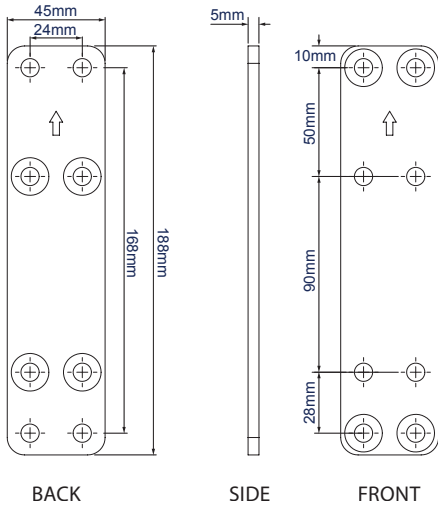


Tilting interface arms feature up to +20° tilt adjustment for enhanced overhead visibility

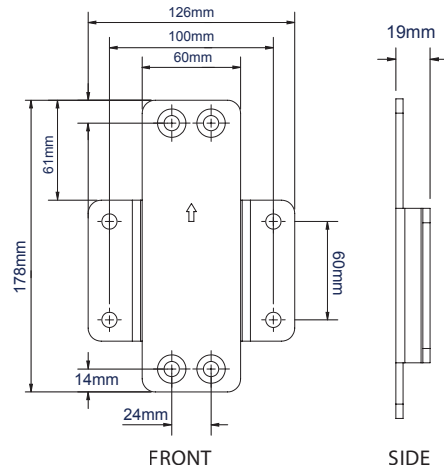


BT8330 configurations are made to your exact requirements and, as a result, utilise a varying combination of System X components in order to create the perfect solution. Below are technical drawings for the standard components used in every BT8330 configuration: BT8390-WFK1 & 2 Wall Fixing Kits and BT8390 Mounting Rails (available in the lengths shown). Please visit our System X online configuration tool at www.btechavmounts.com/systemx-configurator to specify your requirements. All dimensions will be automatically calculated and a complete mounting solution with all required parts will be created for you.

BT8390-WFK1 WALL FIXING KIT

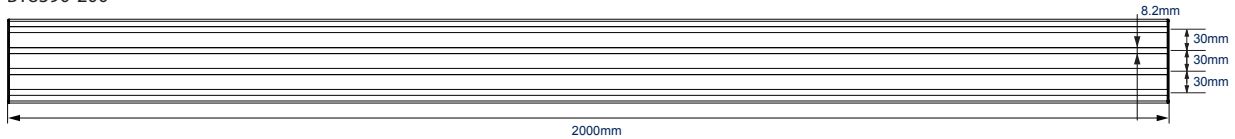


BT8390-WFK2 WALL FIXING KIT

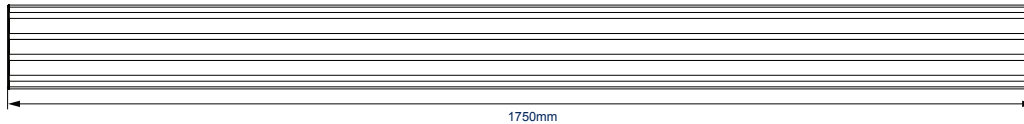


BT8390 MOUNTING RAIL LENGTHS

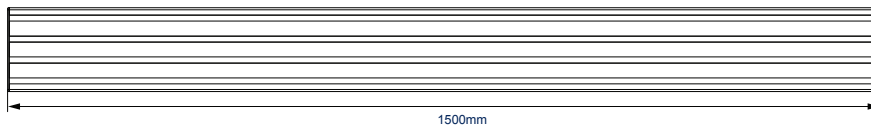
BT8390-200



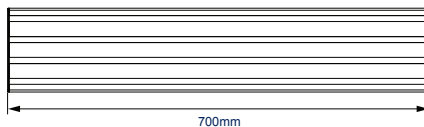
BT8390-175



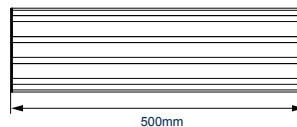
BT8390-150



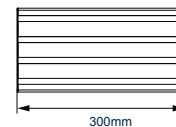
BT8390-070



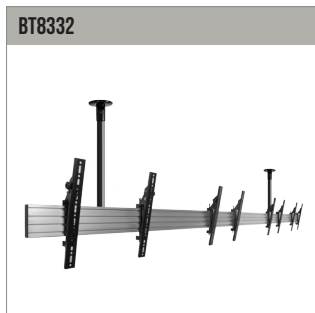
BT8390-050



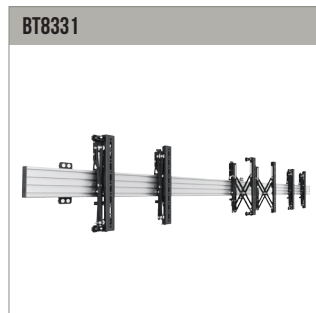
BT8390-030



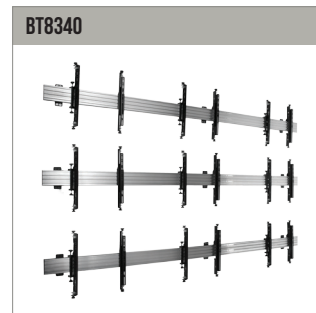
ACCESSORIES AND RELATED PRODUCTS



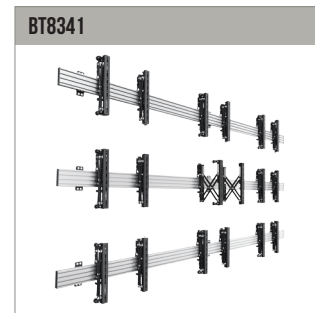
BT8332 Universal Ceiling Mounted Menu Board System for menu board configurations



BT8331 Universal Pop-In, Pop-Out Menu Board System for menu board configurations



BT8340 Universal Video Wall Mounting System for video wall configurations



BT8341 Universal Pop-In, Pop-Out Video Wall System for video wall configurations

© 2016 B-Tech Av Mounts. All rights reserved. The information in this specification is subject to change without notice. B-Tech Av Mounts and the B-Tech logo are registered trademarks of B-Tech Av Mounts Design & Manufacturing Ltd. B-Tech Av Mounts is not liable for loss or damage caused by improper or unauthorized installation, use, or modification of any part of this specification. See our website for more information.

SS-BT8330-V2-220916