



BT7000

SINGLE SCREEN PORTRAIT DIGITAL SIGNAGE KIOSK INSTALLATION GUIDE

This pack contains 1 Kiosk

PLEASE KEEP THIS FOR FUTURE REFERENCE



FEATURES

- Max load: 50kg
- VESA® and Non-VESA fixings: 200 x 200 up to 600 x 400
- Tool-less micro-adjustments for seamless screen alignment
- 8mm thick heavy duty steel base
- Can be used freestanding or bolted to the floor
- Simple 'hook-on' screen installation
- Removable front and rear panels for easy installation and maintenance
- Vented top and rear panels allow airflow to and from the device
- Includes internal storage area in lower section for media players
- All mounting hardware included

** For indoor use only*



TOOLS REQUIRED

Crosshead
screwdriver



B-TECH AUDIO VIDEO MOUNTS

HEAD OFFICE

B-Tech International Limited

Bennett House, Long March, Daventry, Northants., NN11 4NR, UK

Email: info@btechavmounts.com

©2017 B-Tech International Design and Manufacturing Limited. All rights reserved. B-Tech Audio Video Mounts is a division of B-Tech International Design & Manufacturing Ltd. B-Tech, Better By Design and System X are registered trademarks of B-Tech International Design & Manufacturing Ltd. All other brands and product names are trademarks of their respective owners. Photographs are for illustrative purposes only EO&E. B-Tech International Design & Manufacturing Ltd, it's distributors and dealers are not responsible for damage or injury caused by improper installation, improper use, modifications, installations over the specified weight capacity and/or failure to observe these safety instructions. In such cases, any warranty will expire. It is recommended that this product should only be installed by a qualified professional / installer. For indoor use only. B-Tech does not claim any liability for any difficulties that may arise from the interpretation contained in these instructions. Failure to install this product correctly may lead to serious injury and/or death. Please check carefully to make sure there are no missing or defective parts - defective parts must never be used. In the event of missing and/or defective parts, or technical questions, please contact an authorised dealer.

www.btechavmounts.com

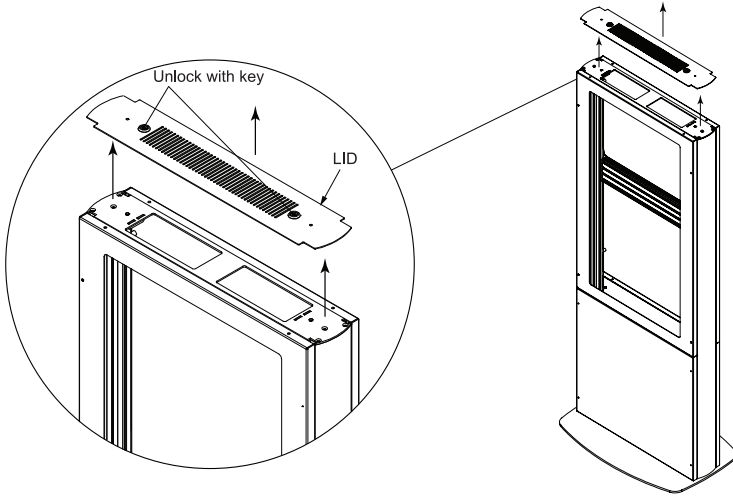
AMA-BT7000-V1-PROBX-0417-63 MADE IN THE UK

INSTALLATION INSTRUCTIONS

1

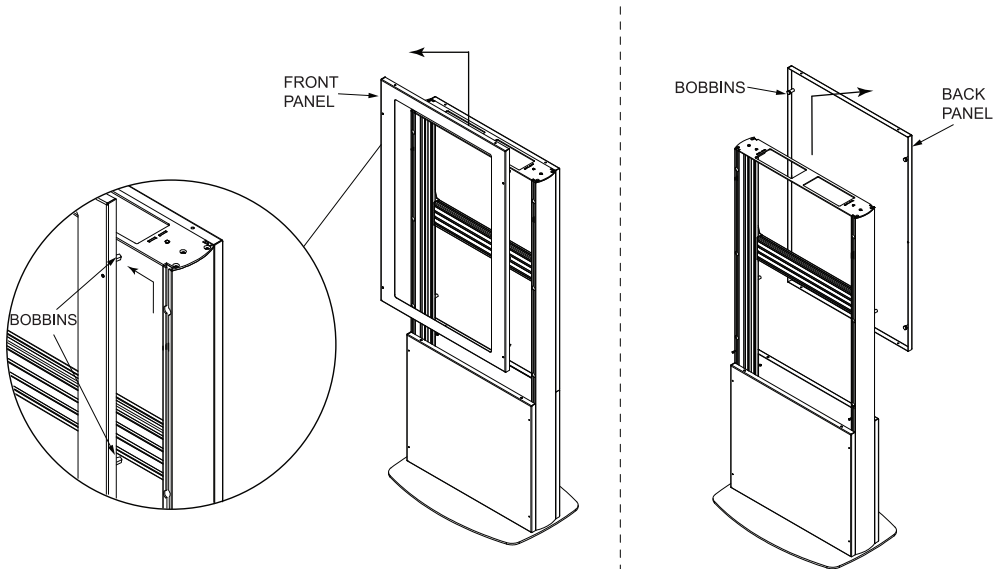
Removing Kiosk Trim Panels

i. Unlock lid and remove.



ii. Remove front and back panels.

Slide panel up and once bobbins align with their slots lift the panel forwards and away.



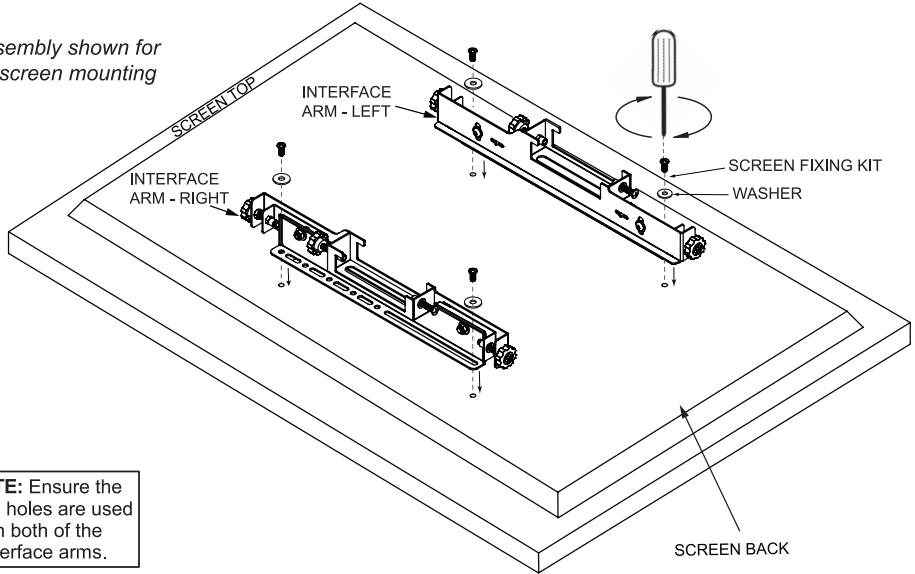
Note: Two persons should lift the panel up so it remains level.

2

Attaching Interface Arms to Screen

Attach the right and left interface arms to the back of the screen using the screen fixing kit.

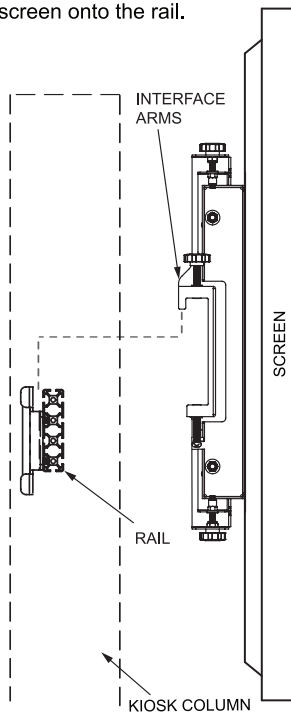
Arm assembly shown for portrait screen mounting



3

Mount Screen to Rail

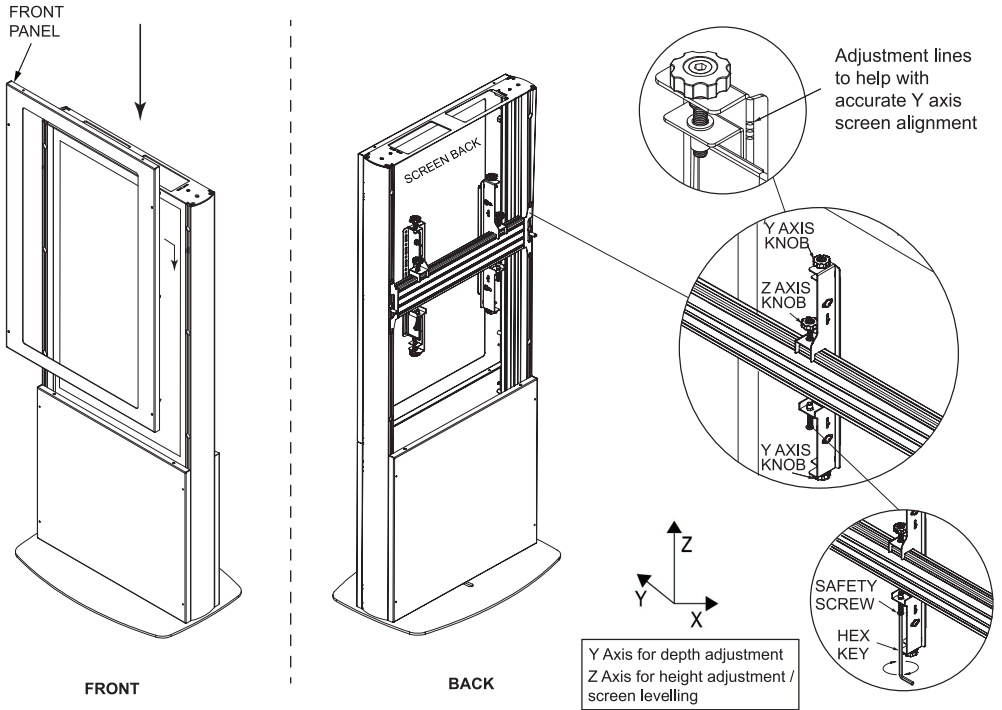
On the front of the kiosk, hook screen onto the rail.



4

Return Front Panel and Adjust Screen

- i. Fix front panel to the kiosk.
- ii. Access the interface arms from the back of the kiosk and align the flat screen to the front panel window using the Z and Y axis adjustment knobs on the interface arms.
- iii. Once screen is positioned correctly, tighten the safety screws on the bottom of the interface arms.



5

Return Back Panel to Kiosk and then Fix Lid

