



AVAILABLE  
 IN MULTIPLE  
 CONFIGURATIONS

# BT8350

## MODULAR FREESTANDING VIDEOWALL MOUNT

The BT8350 is a modular freestanding videowall mounting system. Available for use in both landscape and portrait configurations, the BT8350 can be used for installations up to 7 rows high and as many columns wide as desired. The modular design and captive, fast-fit connectors make assembly and disassembly of videowalls extremely quick and easy whilst the 8 point tool-less micro-adjustment allows screens to be perfectly aligned with ease.

### SPECIFICATION

For screen sizes	46", 49" and 55"
Max load	50kg per screen
VESA® compatibility	200 x 200 up to 600 x 400

### FEATURES

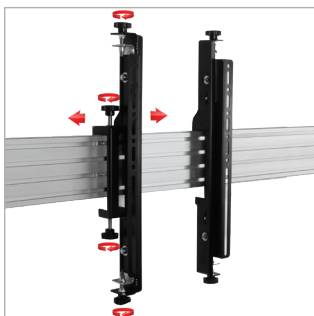
- Modular design allows quick and easy assembly and disassembly of videowalls - perfect for rental applications
- Order to your exact requirements, anything from 2x2 to 70x7!
- Can be ordered for landscape or portrait screen mounting\*
- Tool-less micro-adjustments at 8 points for seamless display alignment
- Captive, fast-fit nuts and screws for fast assembly and disassembly
- Durable Epoxy powder coated frame is ideal for repeated assembly
- Choice of floor height spacers, with cosmetic covers included
- Pop-out, curved and curved pop-out versions also available (see **BT8351 / BT8352 / BT8353**)
- Safety screws help prevent unauthorised removal of screens
- Adjustable support bar provides added stability to videowall installations
- Base sections can face backwards if desired (must be used with **BT8350-WP** or **BT8350-WB** Ballast supports)
- Wall tie-back accessories (**BT8350-EB** and **BT8380-WTB**) also available



SHOWN IN A 2X2  
 CONFIGURATION



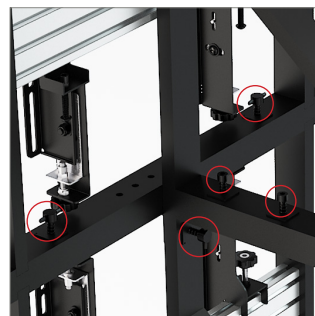
\*Landscape / portrait must be specified when ordering, a landscape kit can be used in portrait orientation with a few additional parts



Tool-less micro-adjustment at 8 points for seamless screen alignment



Cosmetic covers are included as standard



Captive fast-fit nuts and screws make assembly and disassembly quick and easy



Modular design allows quick & easy assembly

